

前言

本着精简、高效、实用、统一、参考的原则，在较短的时间内完成了本版《长城汽车迪尔系列零部件手册（维修配件）》。它是在上版的基础上增加 CC1021AR-3、CC1022SAR-3、CC1021SCD、CC1021LR、CC1021CR、CC1021LC、CC1021CC 等七个车型后编制成的最新版本。

这本手册的用途是：

1. 可供广大迪尔皮卡汽车用户了解迪尔系列轻型货车各种车型的零部件代号、名称、用量、适用车型以及零部件之间的装配关系及其结构组成时参考。
2. 可供广大用户、维修站（点）选择和购买迪尔系列轻型货车车型的零部件（维修配件）时参考。
3. 可供企业内部、长城售后服务公司、配件部及市场服务工作的相关人员为用户和维修站（点）进行售后服务工作时参考。

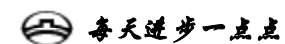
这本手册的特点是：

1. 零部件（维修配件）的编号是按照 Q/CC008-2005《长城汽车股份有限公司 汽车零部件编号规则》及《车辆颜色代码编制规则》企业标准规定，并满足汽车行业标准 QC/T 265-2004《汽车零部件编号规则》的要求。
2. 本手册仅仅反映出版前批量生产的在用车型中的部分车型。
3. 零部件（维修配件）的适用车型栏内只能反映有特色的、有代表性的部分车型，不能涵盖所有适用的车型。
4. 本手册中对于内饰零部件（维修配件）的表面颜色已给出其代码，但对底盘、电器及车身、钣金零部件（维修配件）的表面颜色没有标注。

本手册根据我公司现行生产的迪尔皮卡产品的技术资料编制而成。随着技术不断进步，迪尔系列轻型货车的产品结构将会不断改进和变化。因此，本手册的有些内容将会不断修改和补充。

使用本手册时请注意以下几点：

1. 用户洽购长城迪尔系列轻型货车零部件（维修配件）时，请说明零部件（维修配件）所适用的汽车型号、年款和



其他特征，对照本图册上示意图形和明细表查找零部件（维修配件）对应的零部件代号、名称、用量等信息，以避免与其他零部件混淆。

2. 用户和维修站（点）订购零部件、维修配件时，本手册提供的内容仅供参考，不能作为订购零部件（维修配件）的唯一依据。

3. 本手册以迪尔 CC1022SR 型轻型载货汽车 2003 年款（车型代号为 D01）为基础车型编绘，对于其他变型车型的零部件（维修配件），凡是零部件结构及外形形状变化不大者，不再单独绘出图形，只在零部件明细表中基础车型同一零部件序号下列出。

郑重声明，虽然我们尽力认真编绘本图册，但因时间短，工作量大，加上技术水平和业务能力的限制，还是不能保证图册中所有内容完全正确无误！我们必须保留零部件、维修配件的供货范围、装置配备和技术方面的修改权、变更权。因此，用户和维修站（点）不得以本图册中零部件图解和明细表为依据，提出任何要求。对于由于使用本手册而造成的损失，我们皆不负直接和间接责任。



未经长城汽车股份有限公司同意，任何单位和个人不得将本图册翻版、出版。长城汽车股份有限公司拥有法律规定的版权、著作权等一切权利，并保留本手册的更改权和解释权。

长城汽车股份有限公司

2006-12



Preface

According to the principle of simplicity, high efficiency, conformity and reference, the edition, a catalogue for Great Wall Automobile DEER series spare parts, has been compiled within a short time, which is a new revision based on the former edition, with additional contents that include CC1021AR-3、CC1022SAR-3、CC1021SCD、CC1021LR、CC1021CR、CC1021LC、CC1021CC seven vehicle models.

The Usage of this manual:

1. Provide the reference of spare part code, spare part name, using quantity, applicable vehicle models and structure of the spare parts for the owner of DEER PICKUP.
2. Provide the reference of spare parts for the owner of DEER PICKUP and service station to purchase spare parts.
3. Provide the reference for Great Wall Motor After-sales Service Co., Ltd, Spare parts department, the people who service for the users or the service stations.

The features of this catalogue:

1. The spare part code is compiled according to the enterprise standard of QCC/008-2005 《Great Wall Motor Co,Ltd Coding Rule of Automobile Spare Part》 and 《Coding Rule of Vehicle Color》 , and which is also satisfied the request of automobile industry standard QC/T265-2004 《Coding Rule of Automobile Spare Part》
2. This catalogue only suits for some vehicle models which were mass-produced before this manual is compiled.
3. The vehicle models listed in the form of Applicable Vehicle Model in the catalogue only contain the basic and representative vehicle models.
4. This catalogue provides the spare part code of the surface color of the inner trim parts, but the surface color for under chassis, electrical equipment, and plate work parts are excluded.



This manual is edited according to the technical information of DEER PICKUP automobiles which were produced by our company at present. With the increasingly development of technology, the structure of the DEER PICKUP automobiles will be improved and change continuously. Consequently, the content of this manual will also be added and modified.

Please pay attention to the following points when you use this catalogue:

1. When customers want to buy the spare parts, the vehicle model, type (year) and other characters should be provided. Please find the information associating with the spare part in the catalogue, for example, spare part code, name, using quantity, and so on. Meanwhile, the schematic figure can be used. Thus confusion could be avoided.

2. The content of the catalogue can only be a reference for users and service stations to order the spare parts, and not be the only reference for ordering spare parts.

3. This catalogue is compiled and drew by using the Model year 2003 DEER CC1022SR light-duty commercial vehicle (vehicle model is D01) as the basic model. For the spare parts of other vehicle models, their figures will not be drew if their structure and outline only have a small change, and they will only listed under the same spare part S/N of the basic type vehicle's.

Note: Though we try our best to compile and draw this catalogue, we can not be able to guarantee all the contents in this manual is completely right because of short time, and the limit of technical level and business ability! We reserve the right to modify and amend the catalogue in future. Therefore users and service stations can not require anything according to the spare parts catalogue. We will not take any the direct or indirect responsibility for the loss which is caused by using this catalogue.



All rights reserved. No part of this catalogue covered by the copyrights hereon may be reproduced or copied in any form or by any means without written permission of Great Wall Motor Company Limited by any individuals or parties. Great Wall Motor Company Limited reserves the right of modification and explanation to the catalogue.



Great Wall Motor Company Limited

Dec 2006

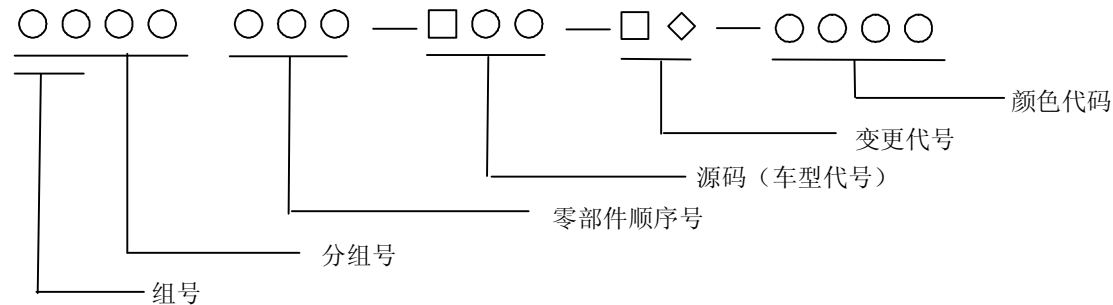


使用方法

为了适应长城汽车在国内、外销量不断增长的新形势，满足长城汽车生产、销售不断发展的需要，在上一版《长城汽车迪尔系列零部件手册》基础上，编绘了本版《长城汽车迪尔系列零部件手册（维修配件）》。可供广大迪尔皮卡汽车用户、维修站（点）了解迪尔系列各种车型零部件的装配关系，外观形状、安装位置之用，也可供用户、维修站（点）选择长城汽车迪尔系列各种车型零部件（维修配件）时参考之用。

为了用户和维修站（点）正确使用本手册，现对主要内容要点说明如下：

一. 零部件（维修配件）编号的表达式



1. 组号

用两位数字表示汽车各功能系统分类代码，由 Q/CC008-2005《汽车产品零部件编号规则》给定。

2. 分组号

用四位数字表示汽车各功能系统内分系统的分类顺序代号，按 Q/CC008-2005 的有关规定。

3. 零部件顺序号

用三位数字表示功能系统内总成、分总成、子总成、单元体、零件等顺序代号，零部件编号细则按 Q/CC008-2005 的有关规定。



4. 源码(车型系列代号)

由一位英文字母 D 和两位数字组成，英文字母 D 代表迪尔 (Deer) 皮卡系列，01, 02, ……96 等代表车型系列内在本手册中使用的车型代号见附表 1《长城汽车迪尔系列车型代号》，注意：本手册零部件代号的源码中，当出现了附表 1 中的车型代号（如赛弗 F00 等）时，则表示该零部件是此车型（如赛弗 F00 等）与迪尔系列车型的通用件，也即表示此车型（如赛弗 F00 等）在该处零部件上具有通用的关系，该零部件是两个车型的通用件。变速器源码代号见附表 2《长城汽车迪尔系列变速器源码代号》。第二项是“整车型号”，是长城迪尔系列汽车的整车商品上提供的正式型号；第三项是“车型代号”，本手册中使用的车型代号与整车型号一致。附表 1 提供了整车型号与车型代号的一一对应、对照的关系。

对于企业内部销售工作人员曾沿用多年的俗称如小双、大双、中双、排半、小单、大单…等通用俗语也给予照顾。本手册须说明，由于迪尔系列内轻型货车、专用车等车型较多，充分反映各种车型具体结构特点的正确代号只有整车车型型号流水号，例如 CC1022SR 与 D01 是一一对应的。

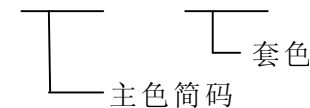
5. 变更代号

用 A1, A2, B1, B2 等表示零件、总成、结构、尺寸、型号类别等作变更时的经历代号。如果没有变更，则零部件编号中不出现变更代号。

6. 颜色代码

对于内饰、车身、外饰、钣金等零部件、总成的涂装颜色，构成了此类零部件的表面基本特征，本手册按照企业标准用四位颜色代码数字表示。详见长城汽车迪尔系列零部件颜色代码表（附表 3）的规定。颜色代码在零部件编号表达色用两个颜色简码组合而成，具体形式为

○ ○ * ○ ○



对于底盘部分、电器部分等没有涂装颜色特征的零部件，其编号表达式不包括末尾的颜色代码。



零部件（维修配件）编号表达式举例：

5 3 0 6 2 0 0 - D 4 3 - B 1 - 0 8 0 3 组合开关面罩总成

上述表达式包括的含义和内容是：

5 3 - 组号，汽车前围总成。

5 3 0 6 - 分组号，汽车前围总成内的仪表板分总成。

2 0 0 - 零部件顺序代号，指仪表板内的顺序号为第 200 号的组合开关面罩总成。

D 4 3 - 源码即车型系列代号，指迪尔系列内的一个车型，代表 CC1021S 型轻型货车。其结构特点是小双排驾驶室，两轮驱动，该车搭载长城 491Q 型化油器式汽油机。

B 1 - 变更经历代号，表示该零件总成的结构、尺寸、热处理、表面处理、型号类别中有变更，且该总成在原产品图样基础上首次变更影响互换性时用 B 1 表示。变更后表面状态为黑色。

0 8 0 3 - 颜色代码，表示黑色。（见附表 3）

二. 使用方法

用户、维修站（点）在使用本手册时，请按照以上说明对所选用的零部件（维修配件）及所适用的车型进行查找。用户可根据本手册简图目录查找目标零部件（维修配件）所在的页数（见简图目录右下角的数字），再在指定页数上找到目标零部件、总成（维修配件）的图解、外形及装配位置；根据图形上目标零部件的指引线末端的序号，在相应的零部件明细表的同一序号处，找出目标零部件总成（维修配件）的零部件代号、零部件名称、用量、适用车型及备注等相关信息。

根据上述查找获得的全部信息，再与长城售后服务公司配件部或海外市场部联系进行确认、沟通，从而保证在用的迪尔系列汽车正常工作。



附表 1

长城汽车迪尔系列车型代号

序号	整车型号	车型代号	车型结构特点		
			驾驶室特征	驱动型式特征	发动机类型型式
1	CC1022SR	D01	小双排	2WD	电喷汽油机 GW491QE
2	CC1021AR	D02	大双排	2WD	电喷汽油机 GW491QE
3	CC1021LSR	D03	中双排	2WD	电喷汽油机 GW491QE
4	CC1021LR	D04	一排半	2WD	电喷汽油机 GW491QE
5	CC1021DR	D05	小单排	2WD	电喷汽油机 GW491QE
6	CC1021CR	D06	大单排	2WD	电喷汽油机 GW491QE
7	CC1022SY	D07	小 双排	4WD	电喷汽油机 GW491QE
8	CC1021AY	D08	大双排	4WD	电喷汽油机 GW491QE
9	CC1021LSY	D09	中双排	4WD	电喷汽油机 GW491QE
10	CC1021S-C5	D10	小双排	2WD	柴油机 GW2.8TC-2
11	CC1021A-C5	D11	大双排	2WD	柴油机 GW2.8TC-2
12	CC1021LS-C5	D12	中双排	2WD	柴油机 GW2.8TC-2
13	CC1021SK-C5	D13	小双排	2WD	KD1 底盘 柴油机 GW2.8TC-2
14	CC1021AK-C5	D14	大双排	2WD	KD1 底盘 柴油机 GW2.8TC-2
15	CC1021SKY-C5	D15	小双排	4WD	KD2 底盘 柴油机 GW2.8TC-2
16	CC1022SC	D16	小双排	2WD	柴油机 GW4D28
17	CC1021AC	D17	大双排	2WD	柴油机 GW4D28
18	CC1021LSC	D18	中双排	2WD	柴油机 GW4D28
19	CC1021LC	D19	一排半	2WD	柴油机 GW4D28
20	CC1021DC	D20	小单排	2WD	柴油机 GW4D28
21	CC1021CC	D21	大单排	2WD	柴油机 GW4D28
22	CC1021SER	D22	小双排	2WD	电喷汽油机 GW491QE
23	CC1020AR	D23	大双排	2WD	电喷汽油机 GW491QE
24	CC1020LSR	D24	中双排	2WD	电喷汽油机 GW491QE

附表 1 续

长城汽车迪尔系列车型代号

序号	整车型号	车型代号	车型结构特点		
			驾驶室特征	驱动型式特征	发动机类型型式
25	CC1020LR	D25	一排半	2WD	电喷汽油机 GW491QE
26	CC1020DR	D26	小单排	2WD	电喷汽油机 GW491QE
27	CC1020CR	D27	大单排	2WD	电喷汽油机 GW491QE
28	CC1021SY	D28	小双排	4WD	电喷汽油机 GW491QE
29	CC1020LSY	D29	中双排	4WD	电喷汽油机 GW491QE
30	CC1020AY	D30	大双排	4WD	电喷汽油机 GW491QE
31	CC1021SD	D31	小双排	2WD	电喷汽油机 GW491QE
32	CC1021SK	D32	小双排	2WD	KD1 底盘 电喷汽油机 GW491QE 欧III
33	CC1020AD	D33	大双排	2WD	电喷汽油机 GW491QE
34	CC1021SDY	D34	小双排	4WD	电喷汽油机 GW491QE
35	CC1021LK	D35	一排半	2WD	电喷汽油机 GW491QE
36	CC1020ADY	D36	大双排	4WD	电喷汽油机 GW491QE
37	CC1021SC	D37	小双排	2WD	柴油机 GW4D28
38	CC1020AC	D38	大双排	2WD	柴油机 GW4D28
39	CC1020LSC	D39	中双排	2WD	柴油机 GW4D28
40	CC1020LC	D40	一排半	2WD	柴油机 GW4D28
41	CC1020DC	D41	小单排	2WD	柴油机 GW4D28
42	CC1020CC	D42	大单排	2WD	柴油机 GW4D28
43	CC1021S	D43	小双排	2WD	化油器汽油机 GW491Q
44	CC1021SE	D44	小双排	2WD	单点电喷汽油机 GW491QE
45	CC1020LS	D45	中双排	2WD	多点电喷汽油机 GW491QE
46	CC1020A	D46	大双排	2WD	多点电喷汽油机 GW491QE



附表 1 续

长城汽车迪尔系列车型代号

序号	整车型号	车型代号	车型结构特点		
			驾驶室特征	驱动型式特征	发动机类型型式
47	CC1020L	D47	一排半	2WD	多点电喷汽油机 GW491QE
48	CC1020C	D48	大单排	2WD	多点电喷汽油机 GW491QE
49	CC1020D	D49	小单排	2WD	多点电喷汽油机 GW491QE
50	CC1022SR-3	D50	小双排	2WD	电喷汽油机欧III GW491QE
62	CC1022SCL	D62	小双排	2WD	柴油机 4L68
63	CC1021ACL	D63	大双排	2WD	柴油机 4L68
64	CC1021LSCL	D64	中双排	2WD	柴油机 4L68
65	CC1021AR	D65	大双排	2WD	电喷汽油机欧III GW491QE
66	CC1021SCD	D66	小双排	2WD	柴油机 GW2.8TDI
67	CC1021ACD	D67	大双排	2WD	柴油机 GW2.8TDI
68	CC1021LSCD	D68	中双排	2WD	柴油机 GW2.8TDI
70	CC5021JLSCLC	D70	小双排	2WD	柴油机 4L68
71	CC5021JLS	D71		2WD	电喷汽油机 GW491QE
72	CC5021JLACL	D72	大双排	2WD	柴油机 4L68
73	CC5021JLA	D73		2WD	电喷汽油机 GW491QE
74	CC5021JLLSCL	D74	中双排	2WD	柴油机 4L68
75	CC5021JLLS	D75		2WD	电喷汽油机 GW491QE
76	CC5021JLLCL	D76	一排半	2WD	柴油机 4L68
77	CC5021JLL	D77		2WD	电喷汽油机 GW491QE
78	CC5021JLCCLC	D78	大单排	2WD	柴油机 4L68
79	CC5021JLC	D79		2WD	电喷汽油机 GW491QE
80	CC5021XXYSC	D80	小双排	2WD	柴油机 GW4D28
81	CC5021XXYSR	D81		2WD	电喷汽油机 GW491QE
82	CC5021XXYSY	D82		4WD	电喷汽油机 GW491QE
83	CC5020XXYSR	D83		2WD	电喷汽油机 GW491QE



附表 1 续

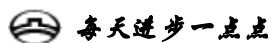
长城汽车迪尔系列车型代号

序号	整车型号	车型代号	车型结构特点		
			驾驶室特征	驱动型式特征	发动机类型型式
84	CC5020XXYSC	D84	小双排	2WD	柴油机 GW4D28
85	CC5021XXYAC	D85	大双排	2WD	柴油机 GW4D28
86	CC5021XXYAR	D86		2WD	电喷汽油机 GW491QE
87	CC5021XXYAY	D87		4WD	电喷汽油机 GW491QE
88	CC5020XXYAR	D88		2WD	电喷汽油机 GW491QE
89	CC5020XXYAC	D89		2WD	柴油机 GW4D28
90	CC5020XXYLSR	D90		中双排	2WD
91	CC5021XXYLC	D91	一排半	2WD	柴油机 GW4D28
92	CC5021XXYLR	D92		2WD	电喷汽油机 GW491QE
93	CC5020XXYLR	D93		2WD	电喷汽油机 GW491QE
94	CC5020XXYLC	D94		2WD	柴油机 GW4D28
95	CC5020XXYDC	D95	小单排	2WD	柴油机 GW4D28
96	CC5020XXYDR	D96		2WD	电喷汽油机 GW491QE

附表 2

长城汽车迪尔系列变速器源码代号

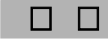
序号	源码代号	变速器厂家	车型结构特点	
			驱动型式特征	发动机类型型式
1	无标记	唐齿	2WD	电喷汽油机 GW491QE
2	S	上齿	2WD	电喷汽油机 GW491QE
3	SB	唐齿	2WD	柴油机 GW4D28
4	SD	上齿	2WD	柴油机 GW4D28
5	SY	唐齿	4WD(电控)	电喷汽油机 GW491QE
6		博格华纳(分动器)	4WD(电控)	电喷汽油机 GW491QE



附表 3

长城汽车迪尔系列零部件颜色代码表

颜色	简码	代码	颜色	简码	代码	颜色	简码	代码
蔷薇红	11	0101	太阳黄	31	0301	典雅绿	41	0401
富贵红	12	0102	经典黄	32	0302	翡翠绿	42	0402
珍珠红	13	0103	的士黄	33	0303	碧玺绿	43	0403
玫瑰红	14	0104	工程黄	34	0304	将军绿	45	0405
枫叶红	15	0105	桔黄	35	0305	邮政绿	46	0406
消防红	16	0106	沙黄	36	0306	天使绿	47	0407
电力红	17	0107	星黄	37	0307	梦想绿	48	0408
朝阳红	18	0108	奶黄	38	0308	绿色	49	0409
红色金属漆	19	0109	浅黄	39	0309	深墨绿	4A	0410
红色	1A	0110	米黄	3A	0310	苹果绿	4B	0411
枣红色	1B	0111	黄色	3B	0311	宝石绿	4C	0412
浅枣红色	1C	0112	橙黄漆	3C	0312	浅绿	4D	0413
洋红漆	1D	0113	咖啡色	3D	0313	长城绿	4E	0414
			浅咖啡色	3E	0314	深绿	4F	0415
			棕黄	3F	0315			
时尚橙	21	0201				青色	51	0501



附表 3 续

长城汽车迪尔系列零部件颜色代码表

颜色	简码	代码	颜色	简码	代码	颜色	简码	代码
藏蓝	61	0601	沙滩金	A1	1001	钻石灰	C1	1201
晨光蓝	62	0602	咖啡金	A2	1002	幻影灰	C2	1202
珍珠蓝	63	0603	香槟金	A3	1003	闪光灰	C4	1204
晶宝蓝	64	0604	浅香槟金	A4	1004	贵族灰	C5	1205
爵士蓝	65	0605	金色	A5	1005	别克灰	C6	1206
宇宙蓝	66	0606	魅力黄金	A6	1006	深灰	C7	1207
浅蓝	67	0607				浅灰	C8	1208
长城蓝	68	0608	星光银	B1	1101	银灰	C9	1209
蓝色	69	0609	香槟银	B2	1102	灰色	CA	1210
深闪光蓝	6A	0610	沙漠银	B3	1103	深棕色	CB	1211
浅闪光蓝	6B	0611	水晶银	B4	1104			
			闪光银	B5	1105			
紫色	71	0701	银色	B6	1106			
玫瑰紫	72	0702	魅力银	B7	1107			
浅紫	73	0703	深银	B8	1108			
深紫	74	0704						
帝王黑	81	0801						
珠光黑	82	0802						
黑色	83	0803						
皓月白	91	0901						
银河白	92	0902						

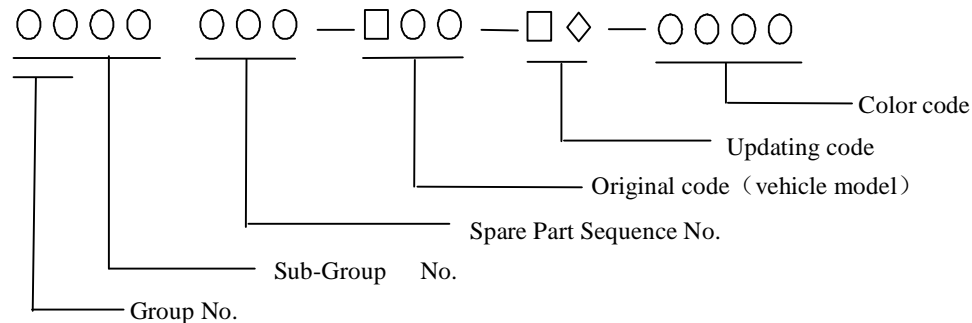


How to use this catalogue?

In order to adapt to the increasing of export sales and domestic sales of Great wall Automobile and satisfy the need of the continuous development of production and sale of Great wall Automobile. The edition, a catalogue for Great Wall Automobile DEER PICKUP series spare part was compiled on the basis of the former edition,《Great Wall Automobile DEER PICKUP Series Spare Part Catalogue》. The edition can provide the DEER PICKUP users and service stations with the information about the assembly relations, outline shape and installation site of the spare part,, and it can also be a reference book for users and service stations to buy the spare part or of DEER PICKUP series vehicles.

In order to use the catalogue correctly, herein there are some explanations about the main points of the catalogue as follows:

1. The expression of the spare part code



1. Group S/N

Use two bits of numbers to represent the classified code of vehicle various function systems ,which is referred to regulation 《Q/cc008-2005 Coding Rule of Automobile spare Part》 .



2. Sub-Group No.

Use four bits of numbers to represent the classified sequence code of subsystems of vehicle various function systems, it is according the regulation of Q/CC008-2005.

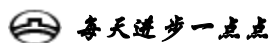
3. Spare Part sequence No.

Use the number which has three bits to represent the sequence number of the assembly, sub assembly, unit, spare part and so on in vehicle various function systems. Coding rule of spare parts should comply with related rules in Q/CC008-2005.

4. Original code (Model series code)



It is composed of one bit of English letter F and two bits of number. The English letter D represents DEER PICKUP series, and 01, 02, 03...96 etc represents production sequence number. The model code in this catalogue is shown in attached list 1- Model code of DEER PICKUP series of Great wall Automobile. Pay attention, if there are Model codes which are not contained in the attached list 1 such as SAFE F00(original code) ,it represent that the spare part of SAFE F00 can be exchanged with of DEER PICKUP series, it also means the part can be used for both this vehicle model(such as SAFE F00) and SAFE series(in the attached list), that part is a general part of two vehicle models, the Transmission original code is shown in attached list 1- transmission original code of DEER PICKUP series of Great wall Automobile ,In the attached list 1, the second item, “Complete Vehicles model”, is the formally vehicle model of DEER PICKUP series of Great wall Automobile; the third item is “model code”. In this catalogue, use model code D01, D02, ……D96 to represent each model. Annex 2 lists the complete vehicle model and the model code in a form of one-to-one correspondence.



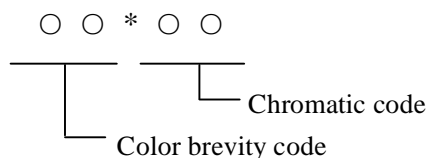
For the proverbs that are used by distribution missionary internal the enterprise for years, such as standard cab, large double cab, middle double cab, one and a half cab, small single cab, large single cab... also have been considered. This list table has listed these for reference and transition. Regarding kinds of DEER PICKUP series is so many ,it is necessary to explain that the right code number which fully represents the specific structure characteristics of various models is only production sequence number of the complete vehicle and model series code (source code), for example, CC1022SR is corresponds with D01 one by one correspondence.

5. Code number updating

When parts, assembly, structure, size, model are changed, use A1, A2, B1, B2...to represent the updating code. If there is no change, there will be no appearance of changing experience code number in serial number expression of spare part code

6. Color code

The color of inner trim, car body, outer trim, pressing spare part and assembly forms the basic characteristic of surface of these parts. This book uses 4 bits color code numbers in accordance with the enterprise standard issue 《Compilation Regulations for Car Color Code》 .Check the regulation details shown in the color code list (attached list 3) of DEER series spare part of the Great wall Automobile. Color code is given in the end of spare part code expression. Color code in chromatic code is composed of two color brevity codes, and the concrete form is as follows:



For these parts that have no color characteristics, such as chassis parts and electrical parts, its serial number expression don't have color code in the end.

Example of spare part code expression

5 3 0 6 2 0 0 – D 4 3 – B 1 – 0 8 0 3 Unit switch cash assembly

The meanings and content of the expression above are as follows:

5 3 –group number, vehicle front wall assembly

5 306 –sub-group number, it represents instrument panel sub-assembly of vehicle front wall .

200 –sequence code for spare part, it refers to unit switch cash assembly in the instrument panel, whose S/N is 200.



D43 –original code is car model series code, which refers to one model of DEER PICKUP series, and it represents CC1021S model light truck. Its structure characteristics are small double cab, 2WD, and this kind of car equipped with 491QE carburetor gasoline engine.

B 1 –change experience code number, it represents there are changes in structure, size, heat treatment, surface treatment and model classification of the component assembly, and use B1 to denote this, when it affects replacement in the first change on the base of original production design.

0 8 0 3 –color code number, it represents black color. (See to Attached list 3)



II. Using method

When users and service stations use this catalogue, please refer to the book in accordance with the instruction stated above for the parts and its applicable models. Users can look for the page number of the target parts by referring to the catalogue of the book, then, to find out figure, appearance and assembly position of target parts; and at last, according to sequence No. in the end of the index line to find out parts sequence No., then find the same sequence No. in the spare part list, meanwhile, you will also find spare part assembly, spare part code, part name, quantity, applicable vehicle model, REMARK and so on.

According to all the information that has been found out, and after contacting with Spare Part Department of Great Wall Motor Overseas Service to confirm the part and learn about the price and procedure of purchasing procedure, finally purchase the part you want to order. Thus, the normal working of DEER PICKUP series of Great Wall Motor can be assured.



GW VEHICLE DEER SERIES MODELS CODE

S/N	COMPLETE VEHICLE TYPE	MODEL CODE	MODEL STRUCTURE FEATURE		
			CAB FEATURE	DRIVE TYPE	ENGINE TYPE
1	CC1022SR	D01	STANDARD CAB	2WD	ELECTRONIC INJECTION GASOLINE ENGINE GW491- QE
2	CC1021AR	D02	LARGE DOUBLE CAB	2WD	ELECTRONIC INJECTION GASOLINE ENGINE GW491QE
3	CC1021LSR	D03	MIDDLE DOUBLE CAB	2WD	ELECTRONIC INJECTION GASOLINE ENGINE GW491- QE
4	CC1021LR	D04	ONE AND A HALF CAB	2WD	ELECTRONIC INJECTION GASOLINE ENGINE GW491- QE
5	CC1021DR	D05	SMALL SINGLE CAB	2WD	ELECTRONIC INJECTION GASOLINE ENGINE GW491- QE
6	CC1021CR	D06	LARGE SINGLE CAB	2WD	ELECTRONIC INJECTION GASOLINE ENGINE GW491- QE
7	CC1022SY	D07	STANDARD CAB	4WD	ELECTRONIC INJECTION GASOLINE ENGINE GW491- QE
8	CC1021AY	D08	LARGE DOUBLE CAB	4WD	ELECTRONIC INJECTION GASOLINE ENGINE GW491- QE
9	CC1021LSY	D09	MIDDLE DOUBLE CAB	4WD	ELECTRONIC INJECTION GASOLINE ENGINE GW491- QE
10	CC1021S-C5	D10	STANDARD CAB	2WD	DIESEL ENGINE GW2.8TC-2
11	CC1021A-C5	D11	LARGE DOUBLE CAB	2WD	DIESEL ENGINE GW2.8TC-2
12	CC1021LS-C5	D12	MIDDLE DOUBLE CAB	2WD	DIESEL ENGINE GW2.8TC-2

GW VEHICLE DEER SERIES MODEL CODE

S/N	COMPLETE VEHICLE TYPE	MODEL CODE	MODEL STRUCTURE FEATURE		
			CAB FEATURE	DRIVE TYPE	ENGINE TYPE
13	CC1021SK-C5	D13	STANDARD CAB	2WD	KD1 CHASSIS,DIESEL ENGINE GW2.8TC- 2
14	CC1021AK-C5	D14	LARGE DOUBLE CAB	2WD	KD1 CHASSIS,DIESEL ENGINE GW2.8TC- 2
15	CC1021SKY-C5	D15	STANDARD CAB	4WD	KD2 CHASSIS,DIESEL ENGINE GW2.8TC- 2
16	CC1022SC	D16	STANDARD CAB	2WD	DIESEL ENGINE GW4D28
17	CC1021AC	D17	LARGE DOUBLE CAB	2WD	DIESEL ENGINE GW4D28
18	CC1021LSC	D18	MIDDLE DOUBLE CAB	2WD	DIESEL ENGINE GW4D28
19	CC1021LC	D19	ONE AND A HALF CAB	2WD	DIESEL ENGINE GW4D28
20	CC1021DC	D20	SMALL SINGLE CAB	2WD	DIESEL ENGINE GW4D28
21	CC1021CC	D21	LARGE SINGLE CAB	2WD	DIESEL ENGINE GW4D28
22	CC1021SER	D22	STANDARD CAB	2WD	ELECTRONIC INJECTION GASOLINE ENGINE GW491- QE
23	CC1020AR	D23	LARGE DOUBLE CAB	2WD	ELECTRONIC INJECTION GASOLINE ENGINE GW491- QE
24	CC1020LSR	D24	MIDDLE DOUBLE CAB	2WD	ELECTRONIC INJECTION GASOLINE ENGINE GW491- QE



GW VEHICLE DEER SERIES MODEL CODE

S/N	COMPLETE VEHICLE TYPE	MODEL CODE	MODEL STRUCTURE FEATURE		
			CAB FEATURE	DRIVE TYPE	ENGINE TYPE
25	CC1020LR	D25	ONE AND A HALF CAB	2WD	ELECTRONIC INJECTION GASOLINE ENGINE GW491QE
26	CC1020DR	D26	SMALL SINGLE CAB	2WD	ELECTRONIC INJECTION GASOLINE ENGINE GW491QE
27	CC1020CR	D27	LARGE SINGLE CAB	2WD	ELECTRONIC INJECTION GASOLINE ENGINE GW491QE
28	CC1021SY	D28	STANDARD CAB	4WD	ELECTRONIC INJECTION GASOLINE ENGINE GW491QE
29	CC1020LSY	D29	MIDDLE DOUBLE CAB	4WD	ELECTRONIC INJECTION GASOLINE ENGINE GW491QE
30	CC1020AY	D30	LARGE DOUBLE CAB	4WD	ELECTRONIC INJECTION GASOLINE ENGINE GW491QE
31	CC1021SD	D31	STANDARD CAB	2WD	ELECTRONIC INJECTION GASOLINE ENGINE GW491QE
32	CC1021SK	D32	STANDARD CAB	2WD	KD1 CHASSIS,ELECTRONIC INJECTION GASOLINE ENGINE GW491QE,EURO III
33	CC1020AD	D33	LARGE DOUBLE CAB	2WD	ELECTRONIC INJECTION GASOLINE ENGINE GW491QE
34	CC1021SDY	D34	STANDARD CAB	4WD	ELECTRONIC INJECTION GASOLINE ENGINE GW491QE
35	CC1021LK	D35	ONE AND A HALF CAB	2WD	ELECTRONIC INJECTION GASOLINE ENGINE GW491QE
36	CC1020ADY	D36	LARGE DOUBLE CAB	4WD	ELECTRONIC INJECTION GASOLINE ENGINE GW491QE
37	CC1021SC	D37	STANDARD CAB	2WD	ELECTRONIC INJECTION GASOLINE ENGINE GW491QE
38	CC1020AC	D38	LARGE DOUBLE CAB	2WD	ELECTRONIC INJECTION GASOLINE ENGINE GW491QE

GW VEHICLE DEER SERIES MODEL CODE

S/N	COMPLETE VEHICLE TYPE	MODEL CODE	MODEL STRUCTURE FEATURE		
			CAB FEATURE	DRIVE TYPE	ENGINE TYPE
39	CC1020LSC	D39	MIDDLE DOUBLE CAB	2WD	DIESEL ENGINE GW4D28
40	CC1020LC	D40	ONE AND A HALF CAB	2WD	DIESEL ENGINE GW- 4D28
41	CC1020DC	D41	SMALL SINGLE CAB	2WD	DIESEL ENGINE GW- 4D28
42	CC1020CC	D42	LARGE SINGLE CAB	2WD	DIESEL ENGINE GW- 4D28
43	CC1021S	D43	STANDARD CAB	2WD	CARBURETTOR GW491Q
44	CC1021SE	D44	STANDARD CAB	2WD	SINGLE POINT ELECTR- ONIC INJECTION GASOLINE ENGINE GW491QE
45	CC1020LS	D45	MIDDLE DOUBLE CAB	2WD	MULTI POINT ELECTRONIC INJECTION GASOLINE ENGINE GW491QE
46	CC1020A	D46	LARGE DOUBLE CAB	2WD	MULTI POINT ELECTRONIC INJECTION GASOLINE ENGINE GW491QE
47	CC1020L	D47	ONE AND A HALF CAB	2WD	MULTI POINT ELECTRONIC INJECTION GASOLINE ENGINE GW491QE
48	CC1020C	D48	LARGE SINGLE CAB	2WD	MULTI POINT ELECTRONIC INJECTION GASOLINE ENGINE GW491QE
49	CC1020D	D49	SMALL SINGLE CAB	2WD	MULTI POINT ELECTRONIC INJECTION GASOLINE ENGINE GW491QE
50	CC1022SR-3	D50	STANDARD CAB	2WD	MULTI POINT ELECTRONIC INJECTION GASOLINE ENGINE GW491QE EIII



GW VEHICLE DEER SERIES MODEL CODE

S/N	COMPLETE VEHICLE TYPE	MODEL CODE	STRUCTURE FEATURE		
			CAB FEATURE	DRIVE TYPE	ENGINE TYPE
62	CC1022SCL	D62	STANDARD CAB	2WD	DIESEL ENGINE 4L68
63	CC1021ACL	D63	LARGE DOUBLE CAB	2WD	DIESEL ENGINE 4L68
64	CC1021LSCL	D64	MIDDLE DOUBLE CAB	2WD	DIESEL ENGINE 4L68
65	CC1021AR-3	D65	LARGE DOUBLE CAB	2WD	ELECTRONIC INJECTION GASOLINE ENGINE GW491- QE EIII
66	CC1021SCD	D66	STANDARD CAB	2WD	DIESEL ENGINE GW2.8TDI
67	CC1021ACD	D67	LARGE DOUBLE CAB	2WD	DIESEL ENGINE GW2.8TDI
68	CC1021LSCD	D68	MIDDLE DOUBLE CAB	2WD	DIESEL ENGINE GW2.8TDI
70	CC5021JLSCLC	D70	STANDARD CAB	2WD	DIESEL ENGINE 4L68
71	CC5021JLS	D71		2WD	ELECTRONIC INJECTION GASOLINE ENGINE GW491- QE
72	CC5021JLACL	D72	LARGE DOUBLE CAB	2WD	DIESEL ENGINE 4L68
73	CC5021JLA	D73		2WD	ELECTRONIC INJECTION GASOLINE ENGINE GW491- QE
74	CC5021JLLSCL	D74	MIDDLE DOUBLE CAB	2WD	DIESEL ENGINE 4L68
75	CC5021JLLS	D75		2WD	ELECTRONIC INJECTION GASOLINE ENGINE GW491- QE

Appendix 1 Continued

GW VEHICLE DEER SERIES MODEL CODE

S/N	COMPLETE VEHICLE TYPE	MODEL CODE	STRUCTURE FEATURE		
			CAB FEATURE	DRIVE TYPE	ENGINE TYPE
76	CC5021JLLCL	D76	ONE AND A HALF CAB	2WD	DIESEL ENGINE 4L68
77	CC5021JLL	D77		2WD	ELECTRONIC INJECTION GASOLINE ENGINE GW491- QE
78	CC5021JLCCLC	D78	LARGE SINGLE CAB	2WD	DIESEL ENGINE 4L68
79	CC5021JLC	D79		2WD	ELECTRONIC INJECTION GASOLINE ENGINE GW491- QE
80	CC5021XXYSC	D80	STANDARD CAB	2WD	DIESEL ENGINE GW4D28
81	CC5021XXYSR	D81		2WD	ELECTRONIC INJECTION GASOLINE ENGINE GW491- QE
82	CC5021XXYSY	D82		4WD	ELECTRONIC INJECTION GASOLINE ENGINE GW491- QE
83	CC5020XXYSR	D83		2WD	ELECTRONIC INJECTION GASOLINE ENGINE GW491- QE
84	CC5020XXYSC	D84		2WD	DIESEL ENGINE GW4D28
85	CC5021XXYAC	D85		LARGE DOUBLE CAB	2WD
86	CC5021XXYAR	D86	2WD		ELECTRONIC INJECTION GASOLINE ENGINE GW491- QE
87	CC5021XXYAY	D87	4WD		ELECTRONIC INJECTION GASOLINE ENGINE GW491- QE
88	CC5020XXYAR	D88	2WD		ELECTRONIC INJECTION GASOLINE ENGINE GW491- QE
89	CC5020XXYAC	D89	2WD	DIESEL ENGINE GW4D28	
90	CC5020XXYLSR	D90	MIDDLE DOUBLE CAB	2WD	ELECTRONIC INJECTION GASOLINE ENGINE GW491- QE
91	CC5021XXYLC	D91	ONE AND A HALF CAB	2WD	DIESEL ENGINE GW4D28



Appendix 1 Continued

GW VEHICLE DEER SERIES MODEL CODE

S/N	COMPLETE VEHICLE TYPE	MODEL CODE	STRUCTURE FEATURE		
			CAB FEATURE	DRIVE TYPE	ENGINE TYPE
92	CC5021XXYLR	D92	ONE AND A HALF CAB	2WD	ELECTRONIC INJECTION GASOLINE ENGINE GW491- QE
93	CC5020XXYLR	D93		2WD	ELECTRONIC INJECTION GASOLINE ENGINE GW491- QE
94	CC5020XXYLC	D94		2WD	DIESEL ENGINE GW4D28
95	CC5020XXYDC	D95	SMALL SINGLE CAB	2WD	DIESEL ENGINE GW4D28
96	CC5020XXYDR	D96		2WD	ELECTRONIC INJECTION GASOLINE ENGINE GW491- QE



Appendix 2

GW VEHICLE DEER SERIES TRANSMISSION ORIGINAL CODE

S/N	ORIGINAL CODE	TRANSMISSION MANUFACTURER	STRUCTURE FEATURE	
			DRIVE TYPE	ENGINE TYPE
1	NONE	TAGC	2WD	GASOLINE ENGINE GW491QE
2	S	SSBAT	2WD	ELECTRONIC INJECTION GASOLINE ENGINE GW491QE
3	SB	TAGC	2WD	DIESEL ENGINE GW4D28
4	SD	SSBAT	2WD	DIESEL ENGINE GW4D28
5	SY	TAGC	4WD (ELECTRONIC CONTROLLED)	ELECTRONIC INJECTION GASOLINE ENGINE GW491QE
6		BW (TRANSFER CASE)	4WD (ELECTRONIC CONTROLLED)	ELECTRONIC INJECTION GASOLINE ENGINE GW491QE



Appendix 3

GW VEHICLE DEER SERIES SPARE PART COLOR CODE

COLOR	BRIEF CODE	CODE	COLOR	BRIEF CODE	CODE	COLOR	BRIEF CODE	CODE
ROSEBUSH RED	11	0101	SUN YELLOW	31	0301	ELEGANCE GREEN	41	0401
NOBLE RED	12	0102	CLASSIC YELLOW	32	0302	JADY GREEN	42	0402
PEARL RED	13	0103	TAXI YELLOW	33	0303	BLUSH GREEN	43	0403
ROSE RED	14	0104	ENGINEERING YELLOW	34	0304	GENERAL GREEN	45	0405
MAPLE LEAF RED	15	0105	ORANGE	35	0305	POST GREEN	46	0406



GW VEHICLE DEER SERIES COMPONENTS COLOR CODE






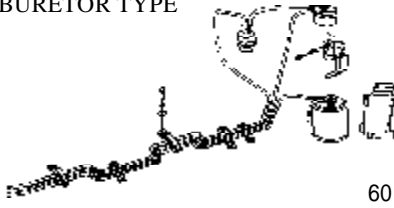
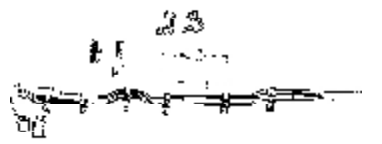

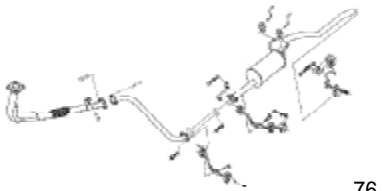
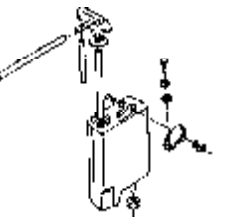

COLOR	BRIEF CODE	CODE	COLOR	BRIEF CODE	CODE	COLOR	BRIEF CODE	CODE
FIRE PROTECTION RED	16	0106	SANDYELLOW	36	0306	ANGLE GREEN	47	0407
POWER RED	17	0107	STAR YELLOW	37	0307	DREAM GREEN	48	0408
RED GOLDEN	18	0108	MILK YELLOW	38	0308	GREEN	49	0409
RED METALIC PAINT	19	0109	LIGHT YELLOW	39	0309	DARK BLACKISH GREEN	4A	0410
RED	1A	0110	CREAM-COLORED	3A	0310	APPLE GREEN	4B	0411
PURPLISH RED	1B	0111	YELLOW	3B	0311	GEM GREEN	4C	0412
LIGHT PURPLISH	1C	0112	ORANGE PAINT	3C	0312	LIGHT GREEN	4D	0413
CARMINE PAINT	1D	0113	COFFEE	3D	0313	GREAT WALL GREEN	4E	0414
			LIGHT COFFEE	3E	0314	DARK GREEN	4F	0415
FASHIONABLE ORANGE	21	0201	PALE BROWN	3F	0315			
						CYAN	51	0501

Appendix 3 Continued



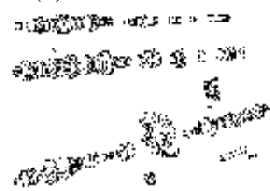



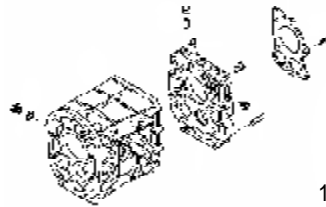
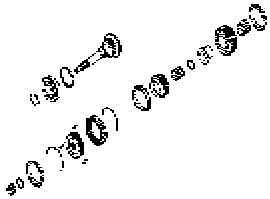
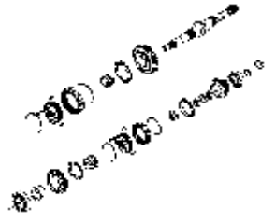
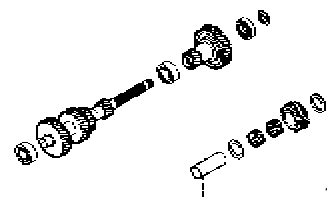


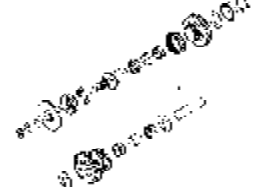
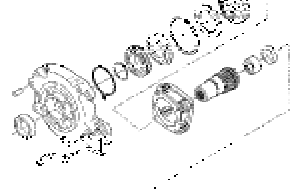
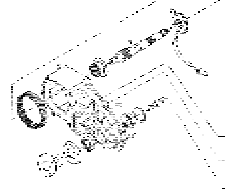
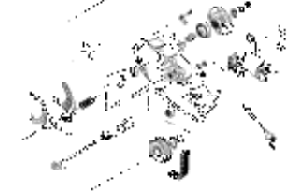
GW VEHICLE DEER SERIES COMPONENTS COLOR CODE

COLOR	CODE	CODE	COLOR	BRIEF CODE	CODE	COLOR	BRIEF CODE	CODE
PURPLISH BLUE	61	0601	BEACH GOLD	A1	1001	DIAMOND GREY	C1	1201
GLEAM BLUE	62	0602	COFFEE GOLD	A2	1002	PHANTOM GREY	C2	1202
PEARL BLUE	63	0603	CHAMPAIGN GOLD	A3	1003	BLAZE GREY	C4	1204
SKY BLUE	64	0604	LIGHT CHAMPAIGN GOLD	A4	1004	NOBLE GREY	C5	1205
NOBLE BLUE	65	0605	GOLD	A5	1005	BUICK GREY	C6	1206
COSMO BLUE	66	0606	CHARMMING GOLD	A6	1006	DARK GREY	C7	1207
LIGHT BLUE	67	0607				LIGHT GREY	C8	1208
GREAT WALL BLUE	68	0608	SILVER SKY	B1	1101	SILVER GREY	C9	1209
BLUE	69	0609	CHAMPAIGN SILVER	B2	1102	GREY	CA	1210
DARK BLAZE BLUE	6A	0610	DESERT SILVER	B3	1103	DARK BROWN	CB	1211
LIGHT BLAZE BLUE	6B	0611	CRYSTAL SILVER	B4	1104			
			BLAZE SILVER	B5	1105	PEARL BLACK	82	0802
PURPLE	71	0701	SILVER	B6	1106	BLACK	83	0803
ROSE PURPLE	72	0702	CHARMMING SILVER	B7	1107			
LIGHT PURPLE	73	0703	DARK SILVER	B8	1108	BRIGHT WHITE	91	0901
DARK PURPLE	74	0704				MILKY WHITE	92	0902
IMPERIAL BLACK	81	0801						


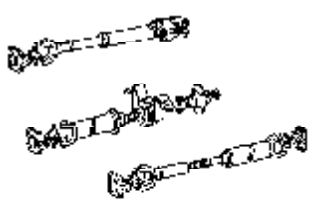
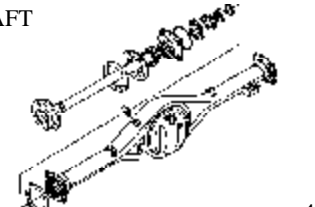



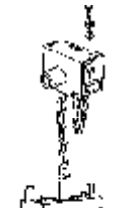



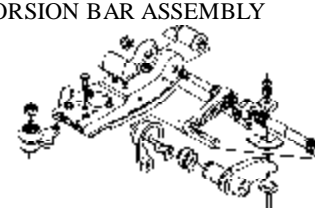
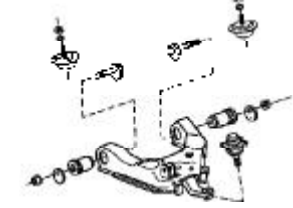






发动机悬置 ENGINE MOUNT  40	空气滤清器总成(一) AIR FILTER ASSEMBLY(1)  42	空气滤清器总成(二) AIR FILTER ASSEMBLY(2)  46	油门操纵机构 ACCELERATOR OPERATING DE- VICE  48
供油系(一)-- 燃油箱总成 FUEL SUPPLY SYSTEM (1) - FUEL TANK ASSEMBLY  50	供油系(二)-- 柴油 4D28 车型 FUEL SUPPLY SYSTEM (2) - DIESEL 4D28  54	供油系(三)-- 柴油 4L68 车型 FUEL SUPPLY SYSTEM (3) - DIE- SEL 4L68  58	供油系(四)-- 化油器车型 FUEL SUPPLY SYSTEM (4) - CAR- BURETOR TYPE  60
供油系(五)-- 电喷燃油管路 FUEL SUPPLY SYSTEM (5) - ELEC- TRONIC FUEL INJECTION PIPELINE  64	排气系装置 -- 化油器系列 EXHAUST DEVICE - CARBURETOR SERIES  66	排气系装置 -- 电喷系列 EXHAUST DEVICE - ELECTRONIC INJECTION SERIES  68	排气系装置 -- 柴油系列 EXHAUST DEVICE - DIESEL SERIES  72
排气系装置 -- 柴油系列 EXHAUST DEVICE - DIESEL SERIES  76	散热器总成 RADIATOR ASSEMBLY  78	溢水罐总成 EXPANSION TANK ASSEMBLY  82	离合器操纵机构 CLUTCH CONTROL MECHANISM  84

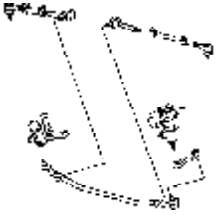
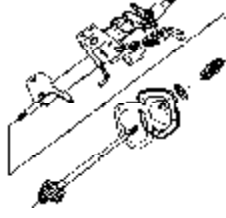

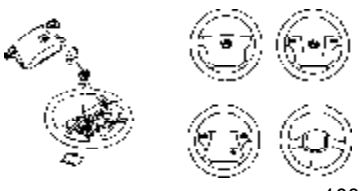


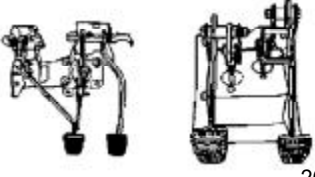
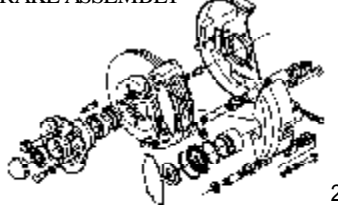

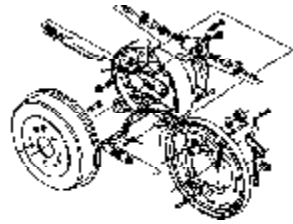


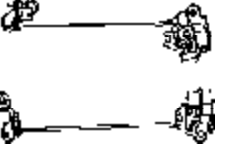
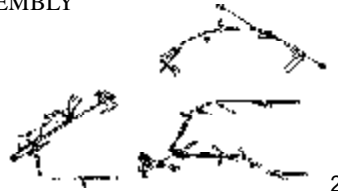


 每天进步一点点

<p>变速器 -- 唐齿 上齿 中马(一) TRANSMISSION – TAGC SSBAT ZOMAX (1)</p>  <p>88</p>	<p>变速器 -- 唐齿 上齿 中马(二) TRANSMISSION – TAGC SSBAT ZOMAX (2)</p>  <p>94</p>	<p>变速器 -- 唐齿 上齿 中马(三) TRANSMISSION – TAGC SSBAT ZOMAX (3)</p>  <p>96</p>	<p>变速器 -- 唐齿 上齿 中马(四) TRANSMISSION – TAGC SSBAT ZOMAX (4)</p>  <p>104</p>
<p>变速器 -- 唐齿 上齿 中马(五) TRANSMISSION – TAGC SSBAT ZOMAX (5)</p>  <p>108</p>	<p>变速器 -- 韩齿(一) TRANSMISSION - HANSHIN (1)</p>  <p>112</p>	<p>变速器 -- 韩齿(二) TRANSMISSION - HANSHIN (2)</p>  <p>114</p>	<p>变速器 -- 韩齿(三) TRANSMISSION - HANSHIN (3)</p>  <p>116</p>
<p>变速器 -- 韩齿(四) TRANSMISSION - HANSHIN (4)</p>  <p>118</p>	<p>变速器 -- 韩齿(五) TRANSMISSION - HANSHIN (5)</p>  <p>120</p>	<p>变速器 -- 韩齿(六) TRANSMISSION - HANSHIN (6)</p>  <p>122</p>	<p>变速器 -- 韩齿(七) TRANSMISSION - HANSHIN (7)</p>  <p>124</p>
<p>变速器 -- 韩齿(八) TRANSMISSION - HANSHIN (8)</p>  <p>128</p>	<p>分动器 -- 博格华纳(一) TRANSFER CASE – BW (1)</p>  <p>132</p>	<p>分动器 -- 博格华纳(二) TRANSFER CASE – BW (2)</p>  <p>134</p>	<p>分动器 -- 博格华纳(三) TRANSFER CASE – BW (3)</p>  <p>136</p>

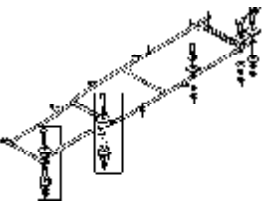

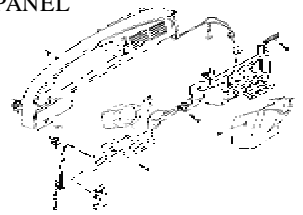
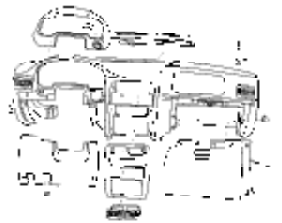


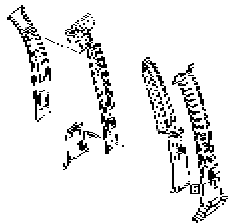

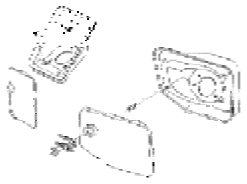

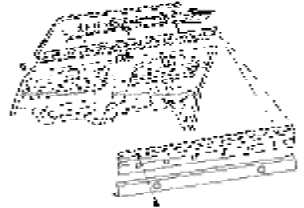
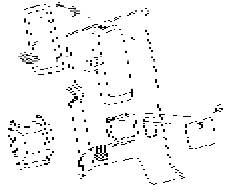

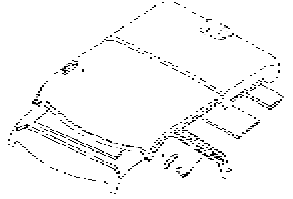




传动轴总成(一) PROPELLER SHAFT ASSEMBLY (1)  140	传动轴总成(二) PROPELLER SHAFT ASSEMBLY (2)  142	后桥壳及半轴 REAR AXLE HOUSING AND AXLE SHAFT  146	减速器及差速器总成 REDUCER & DIFFERENTIAL ASSEMBLY, REAR ALXE  150
前驱动桥总成 FRONT DRIVE AXLE ASSEMBLY  154	前减速器及差速器总成 FRONT REDUCER AND DIFFERENTIAL ASSEMBLY  156	备胎升降器总成 SPARE TIRE REGULATOR ASSEMBLY  158	转向节总成 STEERING KNUCKLE ASSEMBLY  160
4WD 系列转向节及轮毂制动盘装配总成 4WD SERIES STEERING KNUCKLE & WHEEL BRAKE ASSEMBLY  162	前悬置左支架及导向杆 FRONT SUSPENSION LEFT RACKET AND STRUT  163	左下摆臂及扭杆总成 LEFT LOWER CONTROL ARM AND TORSION BAR ASSEMBLY  170	下摆臂总成 LOWER CONTROL ARM ASSEMBLY  174
上摆臂安装组合件(一) UPPER CONTROL ARM MOUNTING ASSEMBLY (1)  176	上摆臂安装组合件(二) UPPER CONTROL ARM MOUNTING ASSEMBLY (2)  178	横向稳定杆 STABILIZER BAR  180	左后悬架总成 LEFT REAR SUSPENSION ASSEMBLY  182

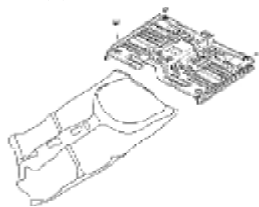


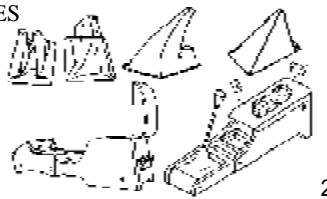

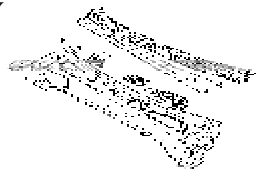
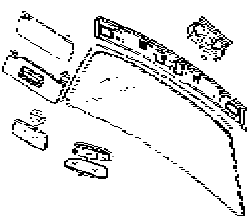


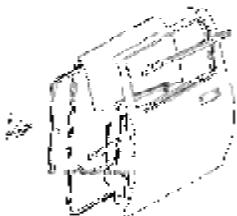
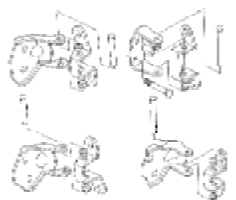



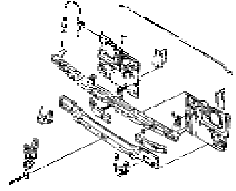
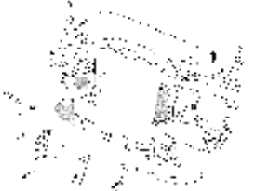


<p>转向传动装置(一) STEERING APPARATUS (1)</p>  <p>188</p>	<p>转向传动装置(二) STEERING APPARATUS (2)</p>  <p>192</p>	<p>动力转向油泵总成 POWER STEERING PUMP ASSEMBLY</p>  <p>194</p>	<p>方向盘总成 STEERING WHEEL ASSEMBLY</p>  <p>198</p>
<p>制动管路装置 BRAKING LINE DEVICE</p>  <p>200</p>	<p>车轮总成 WHEEL ASSEMBLY</p>  <p>204</p>	<p>制动与离合器踏板总成 BRAKE & CLUTCH PEDAL ASSEMBLY</p>  <p>206</p>	<p>左转向节及轮毂制动器装配总 LEFT STEERING KNUCKLE & WHEEL BRAKE ASSEMBLY</p>  <p>210</p>
<p>四驱前制动钳总成 4WD FRONT BRAKE CALIPER AS- SEMBLY</p>  <p>216</p>	<p>左后制动器总成(一) LEFT REAR BRAKE ASSEMBLY (1)</p>  <p>218</p>	<p>左后制动器总成(二) LEFT REAR BRAKE ASSEMBLY (2)</p>  <p>224</p>	<p>真空助力器带制动总泵总成 VACUUM BOOSTER & BRAKE MAS- TER CYLINDER ASSEMBLY</p>  <p>224</p>
<p>感载比例阀总成 LOAD-SENSING PROPORTIONING VALVE ASSEMBLY</p>  <p>230</p>	<p>驻车制动操纵总成 PARKING BRAKE CONTROLLER AS- SEMBLY</p>  <p>232</p>	<p>车架总成(一) FRAME ASSEMBLY (1)</p>  <p>236</p>	<p>车架总成(二) FRAME ASSEMBLY (2)</p>  <p>238</p>


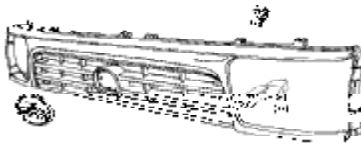
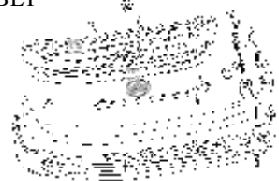

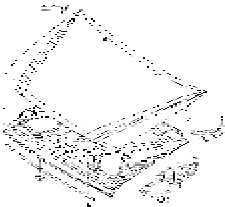







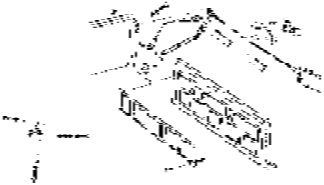
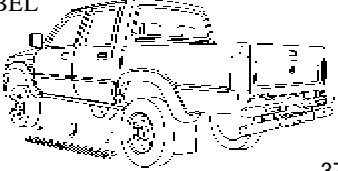
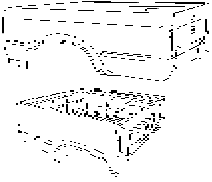



整车悬置总成 BODY MOUNT ASSEMBLY  240	仪表板总成(一) INSTRUMENT PANEL ASSEMBLY (1)  242	仪表板面罩 INSTRUMENT PANEL TRIM PANEL  244	仪表板总成(二) INSTRUMENT PANEL ASSEMBLY (2)  248
仪表板加强梁组件 INSTRUMENT PANEL REINFORCE- MENT MEMBER KIT  252	左前立柱总成 LEFT A PILLAR ASSEMBLY  252	中立柱总成 B PILLAR ASSEMBLY  258	左后立柱总成 LEFT C PILLAR ASSEMBLY  262
油箱门盖板总成 FUEL-FILLER DOOR ASSEMBLY  266	左侧围上下梁 LEFT BODY SIDE UPPER AND LOWER RAIL  268	后围总成 REAR WALL ASSEMBLY  274	左立柱装饰板及后侧窗 LEFT PILLAR TRIM PANEL AND REAR SIDE WINDOW  276
顶盖总成(一) ROOF PANEL ASSEMBLY (1)  280	顶盖总成(二) ROOF PANEL ASSEMBLY (2)  284	前保险杠带支架总成 FRONT BUMPER WITH BRACKET ASSEMBLY  286	后保险杠总成 REAR BUMPER ASSEMBLY  288





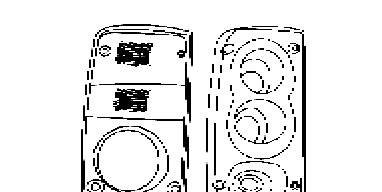
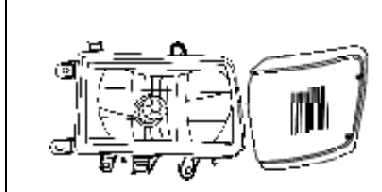

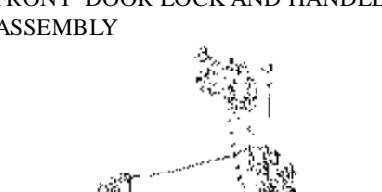
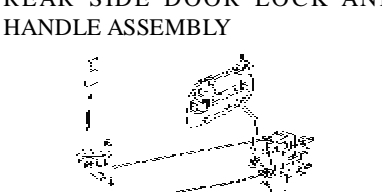
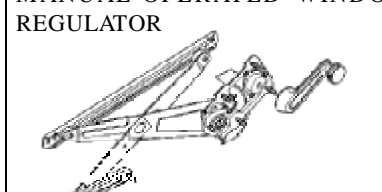

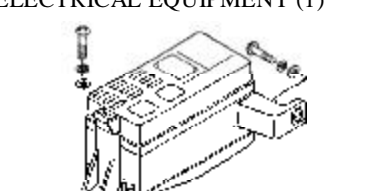
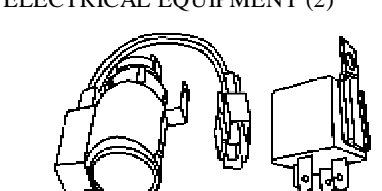

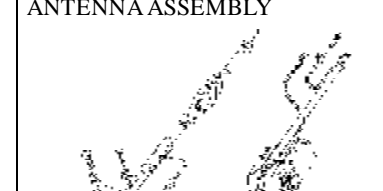


地板(一)--前地板 FLOOR (1) – FRONT FLOOR  290	地板(二)--前地板 FLOOR (2) – FRONT FLOOR  292	地板(三)--后地板 FLOOR (3) – REAR FLOOR  294	地板(四)--变速器装饰罩及附件 FLOOR CONSOLE (4) – TRANSMISSION TRIM COVER AND ACCESSORIES  296
前围(一)--前通风窗盖板及前围上部总成 FRONT WALL (1) – FRONT VENTILATION WINDOW PANEL AND FRONT WALL UPPER ASSEMBLY  300	前围(二)--前通风窗盖板及前围上部总成 FRONT WALL (2) – FRONT VENTILATION WINDOW PANEL AND FRONT WALL UPPER ASSEMBLY  302	前风窗及附件 FRONT WINDSHIELD AND ACCESSORIES  304	发动机挡板总成 ENGINE Baffle PLATE ASSEMBLY  306
左前侧面车门总成 LEFT FRONT SIDE DOOR ASSEMBLY  308	左后侧面车门总成 LEFT REAR SIDE DOOR ASSEMBLY  316	车门上下铰链总成 DOOR UPPER AND LOWER HINGE ASSEMBLY  320	侧面车门内饰板(一) SIDE DOOR INNER DECORATE PLATE (1)  322
侧面车门内饰板(二) SIDE DOOR INNER DECORATE PLATE (2)  328	侧面车门内饰板(三) SIDE DOOR INNER DECORATE PLATE (3)  330	散热器支架总成(一) RADIATOR BRACKET ASSEMBLY (1)  334	散热器支架总成(二) RADIATOR BRACKET ASSEMBLY(2)  336



<p>散热器支架总成(三) RADIATOR BRACKET ASSEMBLY(3)</p>  <p>338</p>	<p>散热器罩 RADIATOR COVER</p>  <p>340</p>	<p>散热器罩及保险杠总成 RADIATOR GRILL AND BUMPER ASSEMBLY</p>  <p>342</p>	<p>发动机罩总成(一) ENGINE HOOD ASSEMBLY (1)</p>  <p>344</p>
<p>发动机罩总成(二) ENGINE HOOD ASSEMBLY (2)</p>  <p>346</p>	<p>前翼子板总成(一) FRONT FENDER ASSEMBLY (1)</p>  <p>348</p>	<p>前翼子板总成(二) FRONT FENDER ASSEMBLY (2)</p>  <p>352</p>	<p>挡泥板总成 MUDGUARD ASSEMBLY</p>  <p>354</p>
<p>前排座椅总成 FRONT ROW SEAT ASSEMBLY</p>  <p>356</p>	<p>后排座椅总成 REAR ROW SEAT ASSEMBLY</p>  <p>360</p>	<p>安全带装置 SEAT BELT DEVICE</p>  <p>362</p>	<p>车箱总成 CARGO BODY ASSEMBLY</p>  <p>364</p>
<p>车箱后板总成 CARGO BODY TAIL GATE ASSEMBLY</p>  <p>370</p>	<p>防撞胶条及标牌 ANTI SCUFF RIB ASSEMBLY AND LABEL</p>  <p>372</p>	<p>厢式车车箱总成 CARGO BODY ASSEMBLY</p>  <p>376</p>	<p>防雨篷总成(一) TARPAULIN ASSEMBLY (1)</p>  <p>378</p>

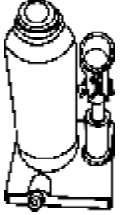




<p>防雨篷总成(二) TARPAULIN ASSEMBLY (2)</p>  <p>380</p>	<p>防雨篷后门总成 TARPAULIN BACK WINDOW ASSEMBLY</p>  <p>382</p>	<p>刮水器总成 WIPER ASSEMBLY</p>  <p>384</p>	<p>风窗洗涤器总成 WINDSHIELD WASHER ASSEMBLY</p>  <p>386</p>
<p>蓄电池总成 BATTERY ASSEMBLY</p>  <p>388</p>	<p>灯具(一) LAMP (1)</p>  <p>392</p>	<p>灯具(二) LAMP (2)</p>  <p>396</p>	<p>灯具(三) LAMP (3)</p>  <p>400</p>
<p>前侧面车门锁及手柄总成 FRONT SIDE DOOR LOCK AND HANDLE ASSEMBLY</p>  <p>402</p>	<p>后侧面车门锁及手柄总成 REAR SIDE DOOR LOCK AND HANDLE ASSEMBLY</p>  <p>406</p>	<p>手动玻璃升降器总成 MANUAL-OPERATED WINDOW REGULATOR</p>  <p>410</p>	<p>电动玻璃升降器总成 POWER WINDOW REGULATOR ASSEMBLY</p>  <p>412</p>
<p>电器设备(一) ELECTRICAL EQUIPMENT (1)</p>  <p>414</p>	<p>电器设备(二) ELECTRICAL EQUIPMENT (2)</p>  <p>418</p>	<p>电器设备(三) ELECTRICAL EQUIPMENT (3)</p>  <p>420</p>	<p>天线总成 ANTENNA ASSEMBLY</p>  <p>422</p>



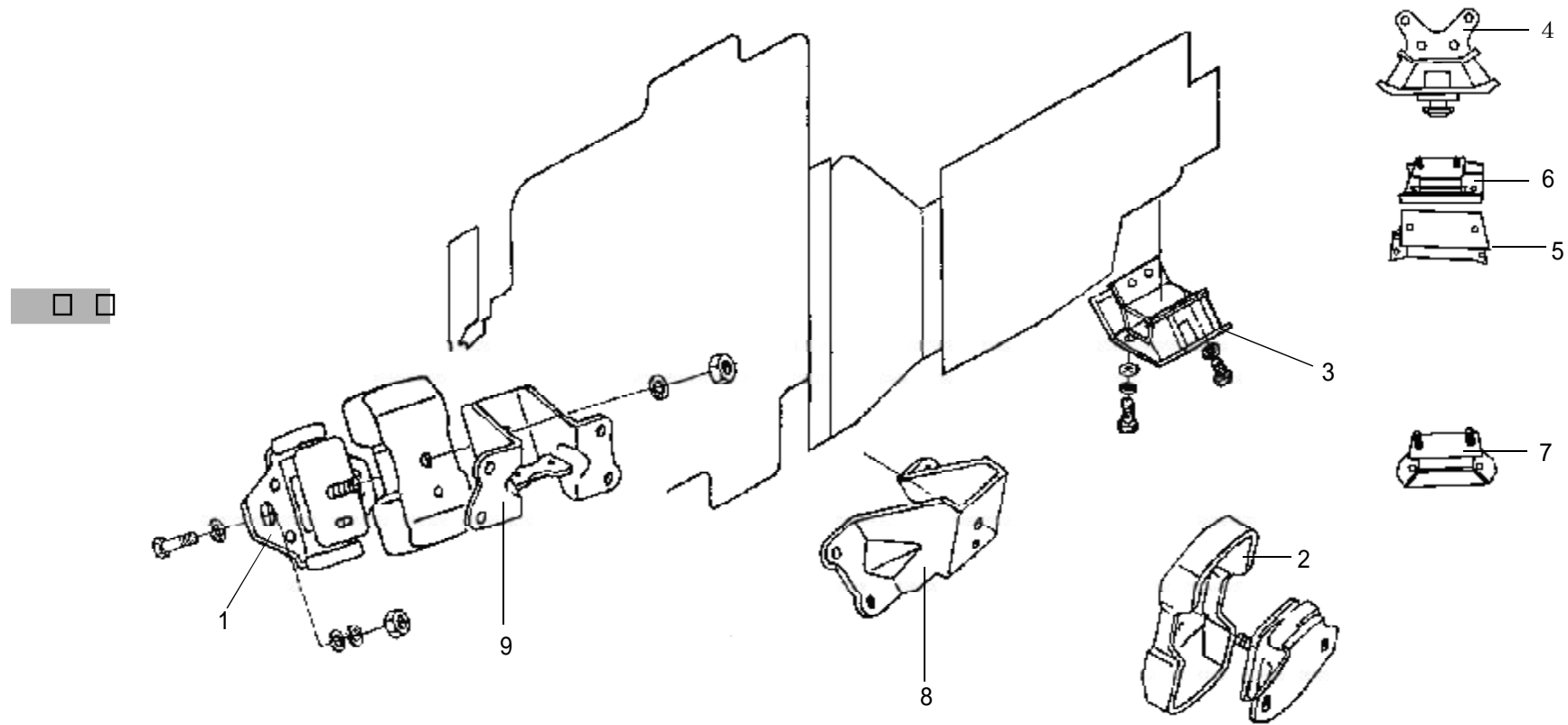
仪表控制台(一) CONTROL PANEL (1) 424	仪表控制台(二) CONTROL PANEL (2) 426	组合仪表总成 COMBINATION INSTRUMENT ASSEMBLY 430	组合开关总成 COMBINATION SWITCH ASSEMBLY 434
防撞雷达总成 BACK-UP RADAR ASSEMBLY 436	冷凝器电磁扇总成 CONDENSER ELECTRONAGNETTIC FAN ASSEMBLY 438	线束分布(一) WIRING HARNESS ARRANGEMENT (1) 440	线束分布(二) WIRING HARNESS ARRANGEMENT (2) 444
线束分布(三) WIRING HARNESS ARRANGEMENT (3) 448	空调(一) -- 冷凝器、储液干燥器组件 A/C (1) - CONDENSER AND RECEIVER DRYER KIT 452	空调(二) -- 制冷压缩机总成 A/C (2) - REFRIGERATION COMPRESSOR ASSEMBLY 454	空调(三) -- 蒸发器及鼓风机 A/C (3) - EVAPORATOR AND BLOWER 456
空调(四) -- 风道(一) A/C (4) - AIR TUNNEL(1) 458	空调(四) -- 风道(二) A/C (4) - AIR TUNNEL(2) 460	空调(五) -- 暖风水箱总成 A/C (5) - HEAT RADIATOR ASSEMBLY 462	空调(六) -- 控制操纵器总成 A/C (6) - CONTROLLER ASSEMBLY 464

每天进步一点点

<p>随车工具 INCAR TOOL</p>  <p>466</p>	<p>车身彩条 DECORATION RIBBON</p>  <p>468</p>	<p>各款式颜色对照 COLOR COMPARISON OF EACH STYLE</p>  <p>473</p>	



发动机悬置 ENGINE MOUNT



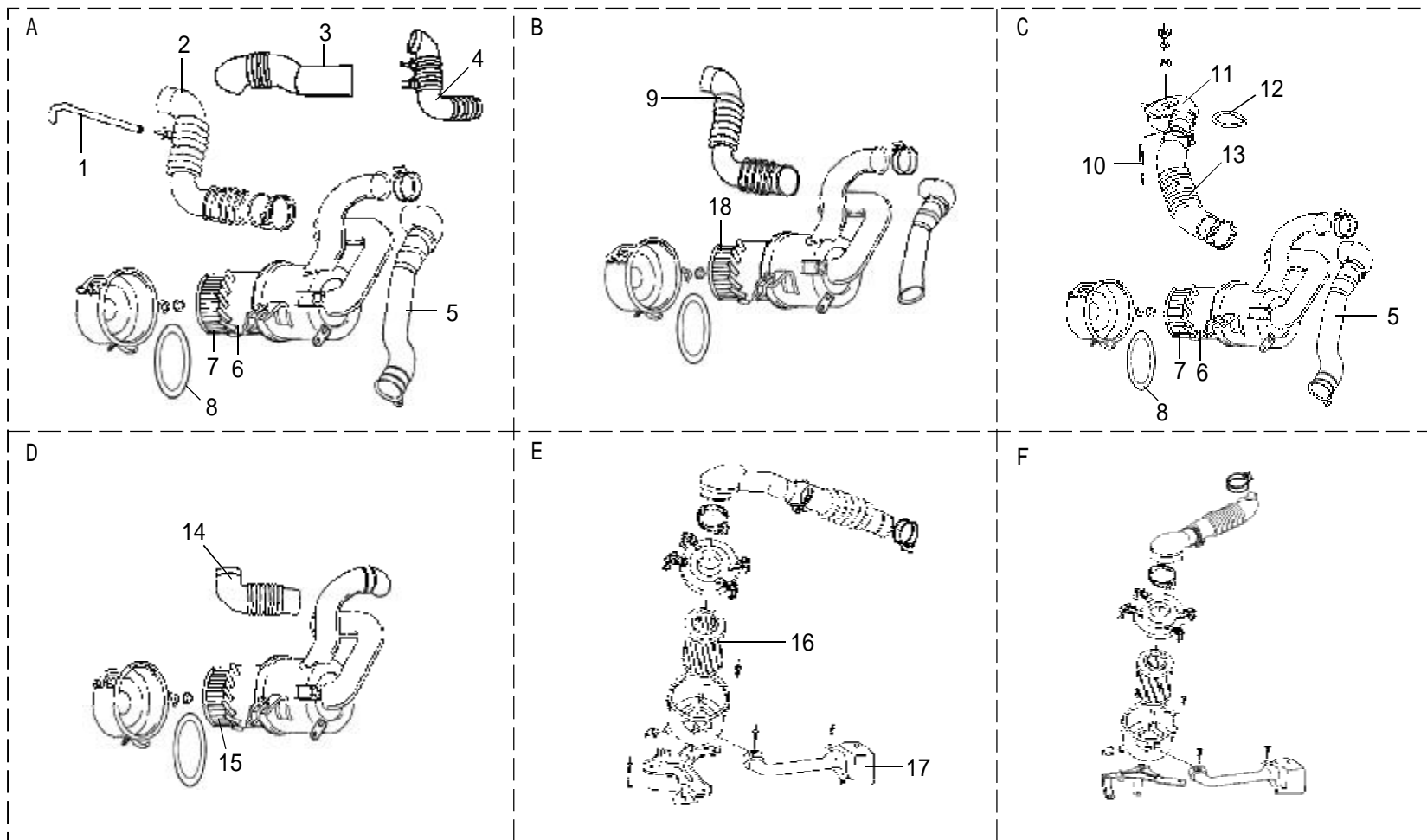
每天进步一点点

发动机悬置 ENGINE MOUNT

序号 S/N	零部件代号 PART CODE	零部件名称 PART NAME	用量 QTY	适用车型 VEHICLE APPLICABLE TO	备注 REMARK
1	1001110-D01	发动机悬置胶垫总成 ENGINE MOUNT INSULATOR ASSEMBLY	2	D01 D02 D03 D04 D06 D16 D17 D18 D22 D23 D24 D25 D27 D43 D44 D45 D46 D47 D48 D50 D65 D66 D75	
	1001110-D62	发动机悬置胶垫总成 ENGINE MOUNT INSULATOR ASSEMBLY		D62 D63 D64	
	1001110-D07	发动机悬置胶垫总成 ENGINE MOUNT INSULATOR ASSEMBLY		D07 D08	
2	1001101-D01	发动机悬置胶垫护盖 INSULATOR COVER,ENGINE MOUNT	2	D01 D02 D03 D04 D06 D07 D08 D09 D22 D23 D24 D50 D65 D66	
	1001101-D62	发动机悬置胶垫护盖 INSULATOR COVER,ENGINE MOUNT		D62 D63 D64	
3	1701200-D01	变速器悬置胶垫总成 TRANSMISSION MOUNT INSULATOR ASSEMBLY	1	D01 D02 D03 D04 D06 D16 D17 D18 D22 D23 D24 D50 D62 D63 D64 D65	
4	1701200-F01-B1	变速器悬置胶垫总成 TTRANSMISSION MOUNT INSULATOR ASSEMBLY (4WD)	1	D07 D08 D09 D01 D02 D03 D04 D06 D22 D23 D24 D25 D27 D43 D44 D45	配韩国四驱
5	1701210-F01	变速器悬置上支架总成 UPPER INSULATOR,TRANSMISSION (ELECTRICALLY CONTROLLED 4WD)	1	D46 D47 D48	电控四驱
6	1701220-F01	变速器悬置下胶垫总成 TRANSMISSION LOWER MOUNT INSULATOR ASSEMBLY(PROVIDED WITH ELECTRIC CONTROL 4WD)	1		
7	1701200-D01-B1	变速器悬置胶垫总成 TRANSMISSION MOUNT INSULATOR ASSEMBLY (LEARNER DRIVEN VEHICLE)	1	D71	一体教练车
8	1001030-E00	左托架组件 LEFT BRACKET SET	1	D01 D02 D03 D04 D06 D22 D23 D24 D25 D27 D43 D44 D45 D46 D47 D48 D50 D65 D66	
9	1001020-E00	右托架组件 RIGHT BRACKET SET	1		



空气滤清器总成（一） AIR FILTER ASSEMBLY



 每天进步一点点

空气滤清器总成（一） AIR FILTER ASSEMBLY（1）

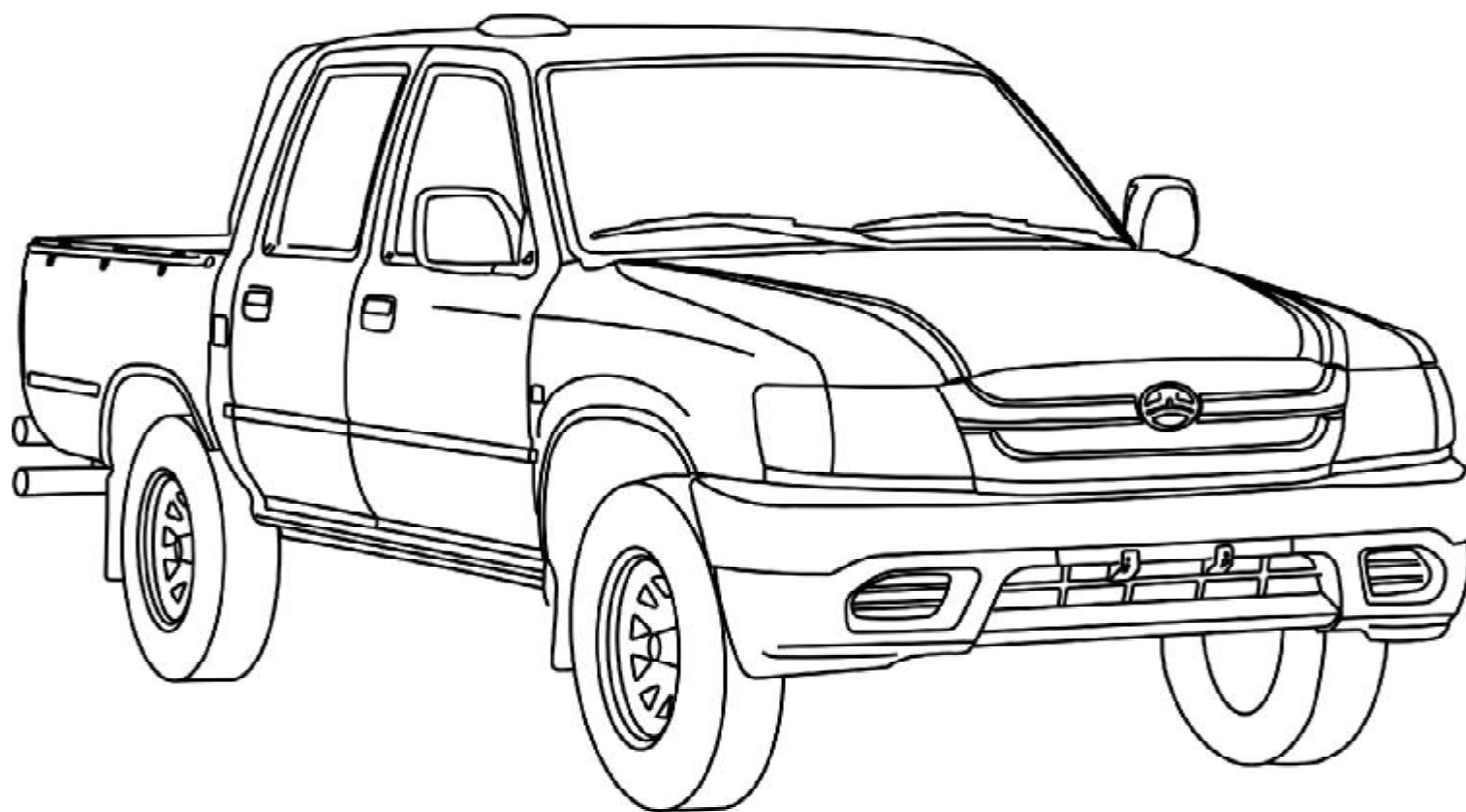
序号 S/N	零部件代号 PART CODE	零部件名称 PART NAME	用量 QTY	适用车型 VEHICLE APPLICABLE TO	备注 REMARK
A	1109110-D01	空气滤清器总成 AIR FILTER ASSEMBLY	1	D01 D02 D03 D04 D06 D19 D21 D22 D23 D24	
B	1109110-D17	空气滤清器总成 AIR FILTER ASSEMBLY	1	D16 D17 D18 D19 D20 D21	
C	1109110-D43	空气滤清器总成 AIR FILTER ASSEMBLY (WITH AIR-SCOOP SHROUD)	1	D43 D46 D47 D48 D49	有进气罩
D	1109110-D62	空气滤清器总成 AIR FILTER ASSEMBLY	1	D62 D63 D64	
E	1109110-D16	空气滤清器总成 AIR FILTER ASSEMBLY (DIESEL ENGINE, VERTICAL)	1	D16 D17 D18	柴油 立式
F	1109110-D66	空气滤清器总成 AIR FILTER ASSEMBLY	1	D66	
1	1109012-B00	曲轴箱通风胶管 CRANKCASE VENTILATING HOSE	1	D04 D06	
	1109101-D66	曲轴箱通风胶管 CRANKCASE VENTILATING HOSE	1	D66	
	1109101-D01	曲轴箱通风胶管 CRANKCASE VENTILATING HOSE	1	D44 D45 D46 D47 D48 D49	
2	1109117-D22	发动机进气波纹胶管 ENGIN AIR INLET CORRUGAED HOSE (DELPHI)	1	D44 D45 D46 D47 D48 D49	德尔福
3	1109117-D44	发动机进气波纹胶管 ENGIN AIR INLET CORRUGAED HOSE (SINGLE POINT,ELECTRONIC INJECTION)	1		单点电喷
4	1109117-D01	发动机进气波纹胶管 ENGIN AIR INLET CORRUGAED HOSE (UAES)	1	D01 D02 D03 D04 D06	联合电子系统
5	1109116-D43	进气管 INTAKE PIPE	1	D01 D02 D03 D43	
6	1109113-D01	旋流片 SPINNING DISK	1	D01 D02 D03 D04 D06 D22 D23 D24 D43 D44 D45 D46 D47 D48	
7	1109112-D01	空气滤清器滤芯总成 AIR CLEANER FILTER ELEMENT ASSEMBLY	1		
8	1109114-D01	滤芯下端盖密封垫 FUEL FILTER LOWER SEAL COVER GASKET	1		
9	1109111-D17	发动机进气波纹胶管 ENGIN AIR INLET CORRUGAED HOSE	1		D16 D17 D18 D19 D21 D37 D38 D39
10	1109119-D43	进气罩螺柱 STUD,AIR INTAKE COVER (CARBURETOR)	1	D43 D45 D46 D47 D48 D49	化油器
11	1109115-D43	进气罩 AIR INTAKE COVER (CARBURETOR)	1		化油器
12	1109118-D43	进气罩胶垫 RUBBER GASKET,AIR INTAKE COVER (CARBURETOR)	1		化油器




空气滤清器总成（一） AIR FILTER ASSEMBLY （1）

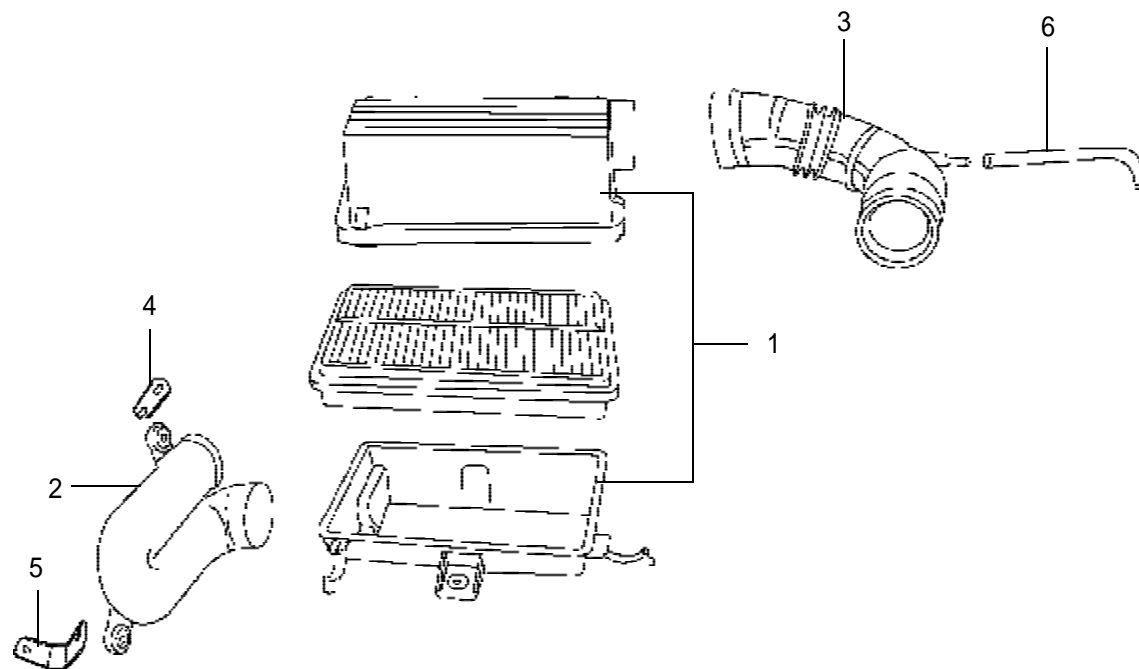
序号 S/N	零部件代号 PART CODE	零部件名称 PART NAME	用量 QTY	适用车型 VEHICLE APPLICABLE TO	备注 REMARK
13	1109117-D43	发动机进气波纹胶管 ENGING AIR INLET CORRUGAED HOSE (CARBURETOR)	1	D43 D45 D46 D47 D48 D49	化油器
14	1109111-D62	发动机进气波纹胶管 ENGING AIR INLET CORRUGAED HOSE	1	D62 D63 D64	
15	1109112-D62	空气滤清器滤芯总成 AIR CLEANER ASSEMBLY ,AIR FILTER	1	D62 D63 D64	
16	1109112-D16	空气滤清器滤芯总成 AIR CLEANER ASSEMBLY ,AIR FILTER(VERTICAL AIR FILTER)	1	D16 D17 D18 D37 D38 D39	立式空气滤清器
17	1109116-D16	进气管总成 AIR INTAKE TUBE ASSEMBLY (VERTICAL AIR FILTRATION)	1		
18	1109112-D17	空气滤清器滤芯总成 AIR CLEANER ASSEMBLY ,AIR FILTER	1	D16 D17 D18 D19 D20 D21	





 每天进步一点点

空气滤清器总成（二） AIR FILTER ASSEMBLY(2)

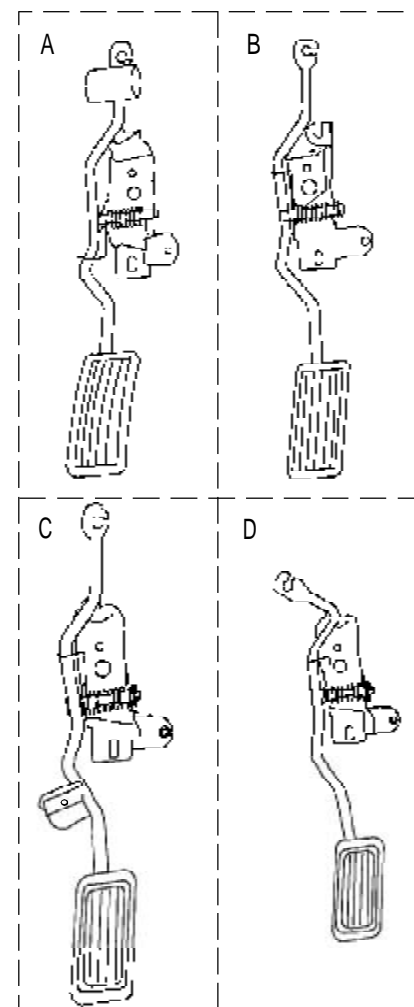
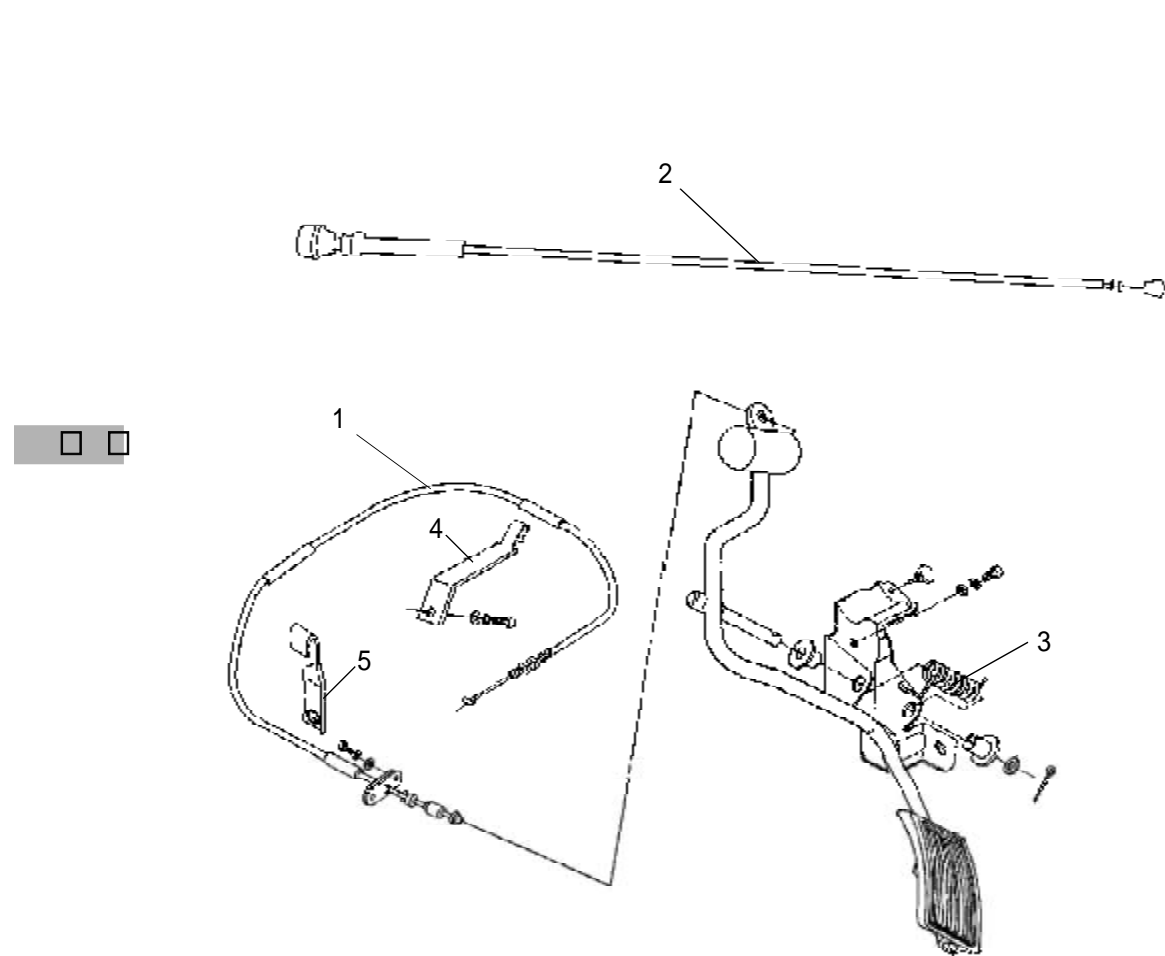


空气滤清器总成（二） AIR FILTER ASSEMBLY（2）

序号 S/N	零部件代号 PART CODE	零部件名称 PART NAME	用量 QTY	适用车型 VEHICLE APPLICABLE TO	备注 REMARK
	1109110-F04	空气滤清器总成 AIR FILTER ASSEMBLY	1	D50 D65	
1	1109111-F04	空气滤清器壳体 AIR FILTER HOUSING	1	D50 D65	
2	1109112-F04	空气滤清器进气波纹管 AIR INLET CORRUGATED HOSE,AIR FILTER	1	D50 D65	
3	1109113-F04	发动机进气波纹管 ENGINE AIR INLET CORRUGATED HOSE	1	D50 D65	
4	1109103-F04	空气滤清器胶管支架一 AIR FILTER HOSE BRACKET NO.1	1	D50 D65	
5	1109104-F04	空气滤清器胶管支架二 AIR FILTER HOSE BRACKET NO.2	1	D50 D65	
6	1109102-F04	曲轴通风箱胶管 CRANKCASE VENTILATING HOSE	1	D50 D65	



油门操纵机构 ACCELERATOR OPERATING DEVICE



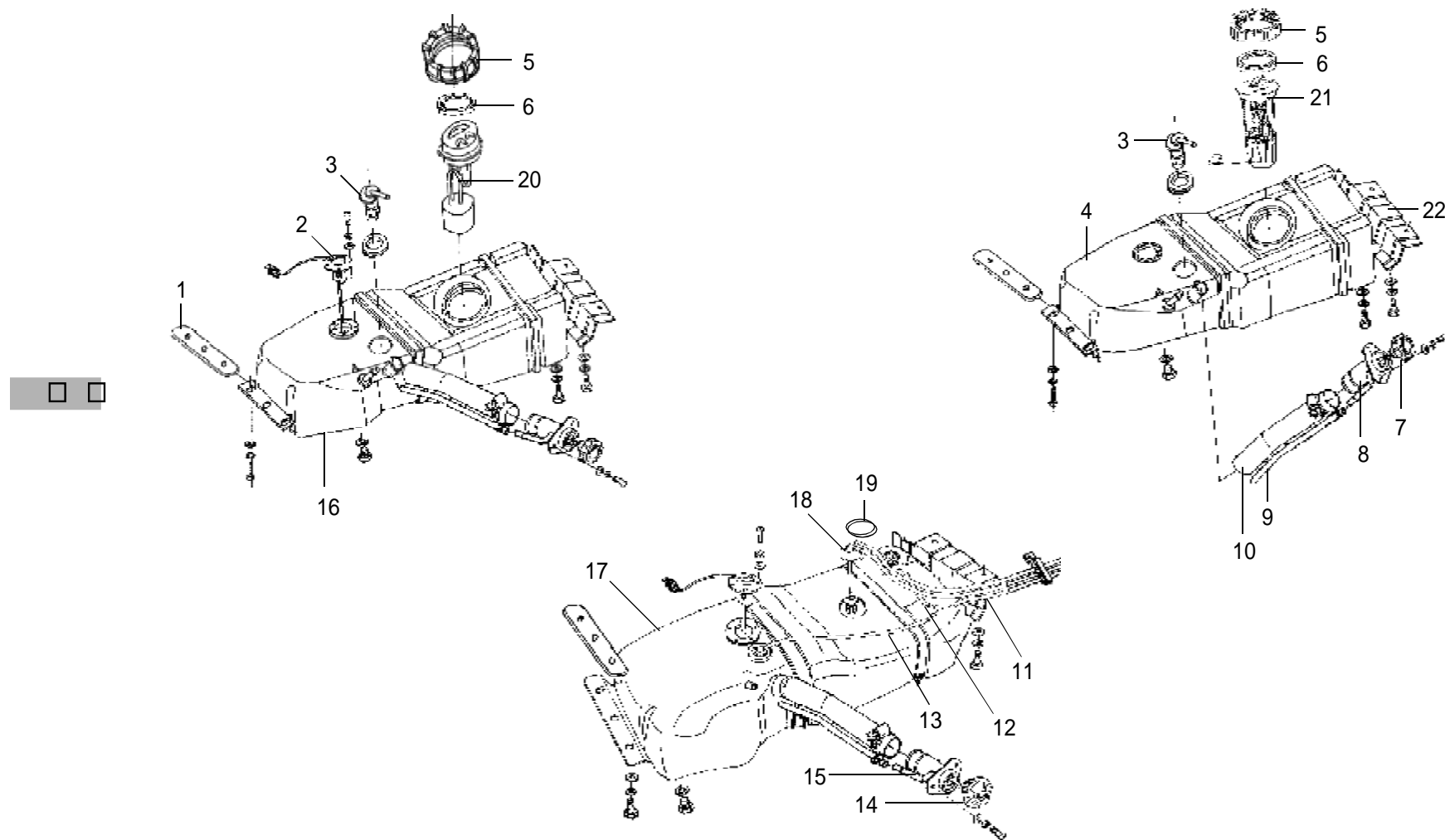
每天进步一点点

油门操纵机构 ACCELERATOR OPERATING DEVICE

序号 S/N	零部件代号 PART CODE	零部件名称 PART NAME	用量 QTY	适用车型 VEHICLE APPLICABLE TO	备注 REMARK
A	1108110-D01	油门踏板总成 ACCELERATOR PEDAL ASSEMBLY	1	D01 D02 D03 D04 D06 D19 D21 D22 D23 D24 D50 D65	
B	1108110-D62	油门踏板总成 ACCELERATOR PEDAL ASSEMBLY (WELDED WITH THE HAND ACCELERATOR BRACKET)	1	D62 D63 D64	焊有手油门支架
C	1108110-D75	油门踏板总成 ACCELERATOR PEDAL ASSEMBLY	1	D75	
D	1108140-D75	副油门踏板总成 SECONDARY ACCELERATOR PEDAL ASSEMBLY	1		
1	1108120-D01	油门拉线总成 ACCELERATOR CABLE ASSEMBLY	1	D01 D02 D03 D04 D06 D22 D23 D24	
	1108120-F02	油门拉线总成 ACCELERATOR CABLE ASSEMBLY		D75	
	1108120-D43	油门拉线总成 ACCELERATOR CABLE ASSEMBLY (CARBURETOR)		D43 D46 D47 D48 D49	化油器
	1108120-D50	油门拉线总成 ACCELERATOR CABLE ASSEMBLY		D50 D65	AEM
	1108120-D50-A1	油门拉线总成 ACCELERATOR CABLE ASSEMBLY			AAV
	1108120-D17	油门拉线总成 ACCELERATOR CABLE ASSEMBLY		D16 D17 D18 D19 D20 D21 D37 D38 D39 D66	
1108120-D62	油门拉线总成 ACCELERATOR CABLE ASSEMBLY	D62 D63 D64			
2	1108130-D62	手油门拉线总成 HAND ACCELERATOR PULL WIRE ASSEMBLY	1		
3	1108113-D01	油门杠杆回位弹簧 ACCELERATOR LEVER RETURN SPRING	1	D01 D02 D03 D04 D06 D22 D23 D24	
4	1108102-D01	油门拉线支架右 BRACKET,ACCELERATOR CABLE (RIGHT)	1		
5	1108103-D01	油门拉线支架左 BRACKET,ACCELERATOR CABLE (LEFT)	1		



供油系（一）——燃油箱总成 FUEL SUPPLY SYSTEM (1) - FUEL TANK ASSEMBLY



每天进步一点点

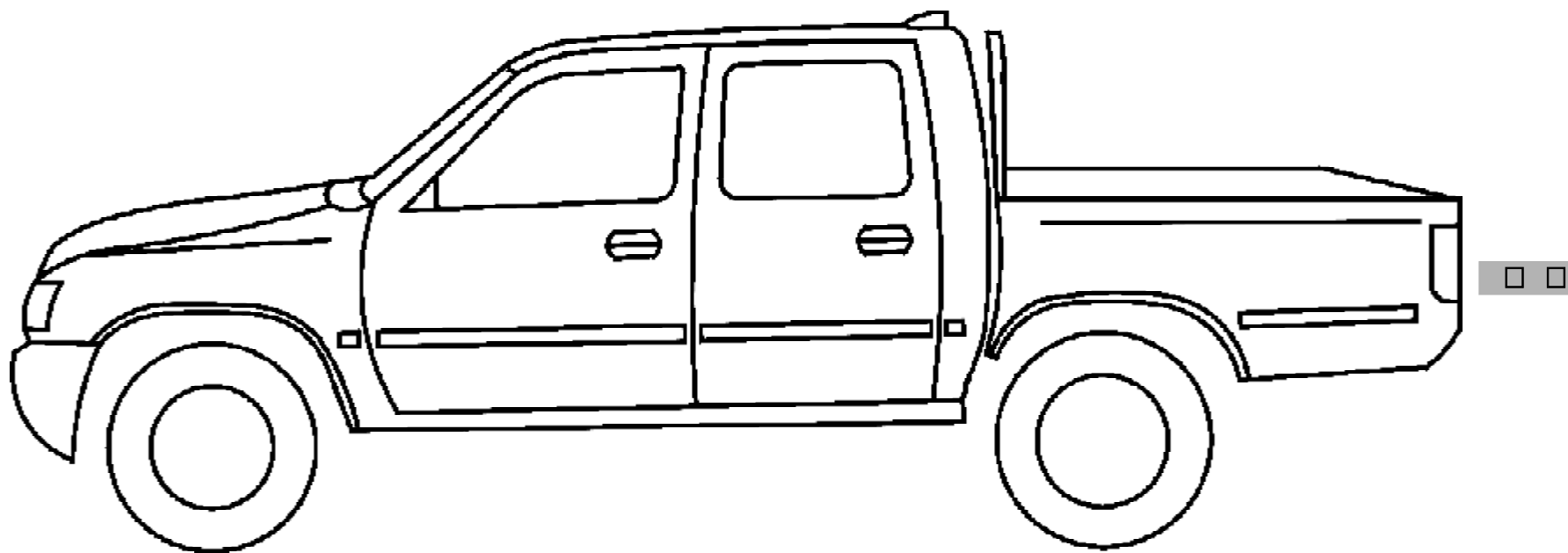
供油系（一）——燃油箱总成 FUEL SUPPLY SYSTEM (1) - FUEL TANK ASSEMBLY

序号 S/N	零部件代号 PART CODE	零部件名称 PART NAME	用量 QTY	适用车型 VEHICLE APPLICABLE TO	备注 REMARK
1	1101101-D01	燃油箱减震垫 FUEL TANK CUSHION	2	D01 D02 D03 D04 D06 D19 D21 D22 D23 D24 D50 D65	
2	3820141-D22-B1	燃油表传感器 FUEL LEVEL SENSOR (MECHANICAL NON-FUEL ALARM SYSTEM)	1	D43 D46 D47 D48 D49	机械式无燃油报警器
	3820141-D22-A2	燃油表传感器 FUEL LEVEL SENSOR (SHAOXING WITH-FUEL ALARM SYSTEM)		D22 D23 D24	绍兴带燃油报警器
	1101400-D62	燃油表传感器 FUEL LEVEL SENSOR		D62 D63 D64	
3	1101112-D01	燃油箱单向阀 CHECK VALVE ASSEMBLY	1	D01 D02 D03 D04 D06 D22 D23 D24	
4	1101110-D01	燃油箱总成 FUEL TANK ASSEMBLY (UAES)	1	D01 D02 D03 D04 D06	联合电子系统用
	1101110-D50	燃油箱总成 FUEL TANK ASSEMBLY	1	D50 D65	
5	1101111-D01	燃油泵压盖 FUEL TANK CAP (TAIXING)	1	D01 D02 D03 D04 D06 D22 D23 D24	泰兴
6	1106101-D01	燃油泵密封垫圈 SEAL RING, FUEL PUMP (TAIXING)	1		泰兴
7	3704030-D01	燃油箱盖锁总成 FUEL TANK LOCK ASSEMBLY (STANDARD CAB)	1	D01 D03 D04 D06 D17 D22	小双
	3704040-D17	燃油箱盖锁总成 FUEL TANK LOCK ASSEMBLY (LARGE DOUBLE CAB)	1		大双
8	1101210-D17	加油口分总成 FUEL FILLER ASSEMBLY (WITH SCREW THREAD)	1	D17 D66	有螺纹扣
	1101210-D43	加油口分总成 FUEL FILLER ASSEMBLY		D43	
9	1101202-D01	加油口回气胶管 VENTILATION HOSE, FUEL FILLER	1	D01 D22 D43 D44 D50 D65	
	1101202-D17	加油口回气胶管 VENTILATION HOSE, FUEL FILLER		D02 D03 D23 D24 D45 D46 D66	Φ12×19×430
10	1101201-D01	加油口进油胶管 FUEL INLET PIPE, FUEL FILLER	1	D01 D22 D43 D44 D50 D65	
	1101201-D17	加油口进油胶管 FUEL INLET PIPE, FUEL FILLER		D02 D03 D19 D21 D23 D24 D45 D46 D66	
	1101201-D06	加油口进油胶管 FUEL INLET PIPE, FUEL FILLER	1	D04 D06	



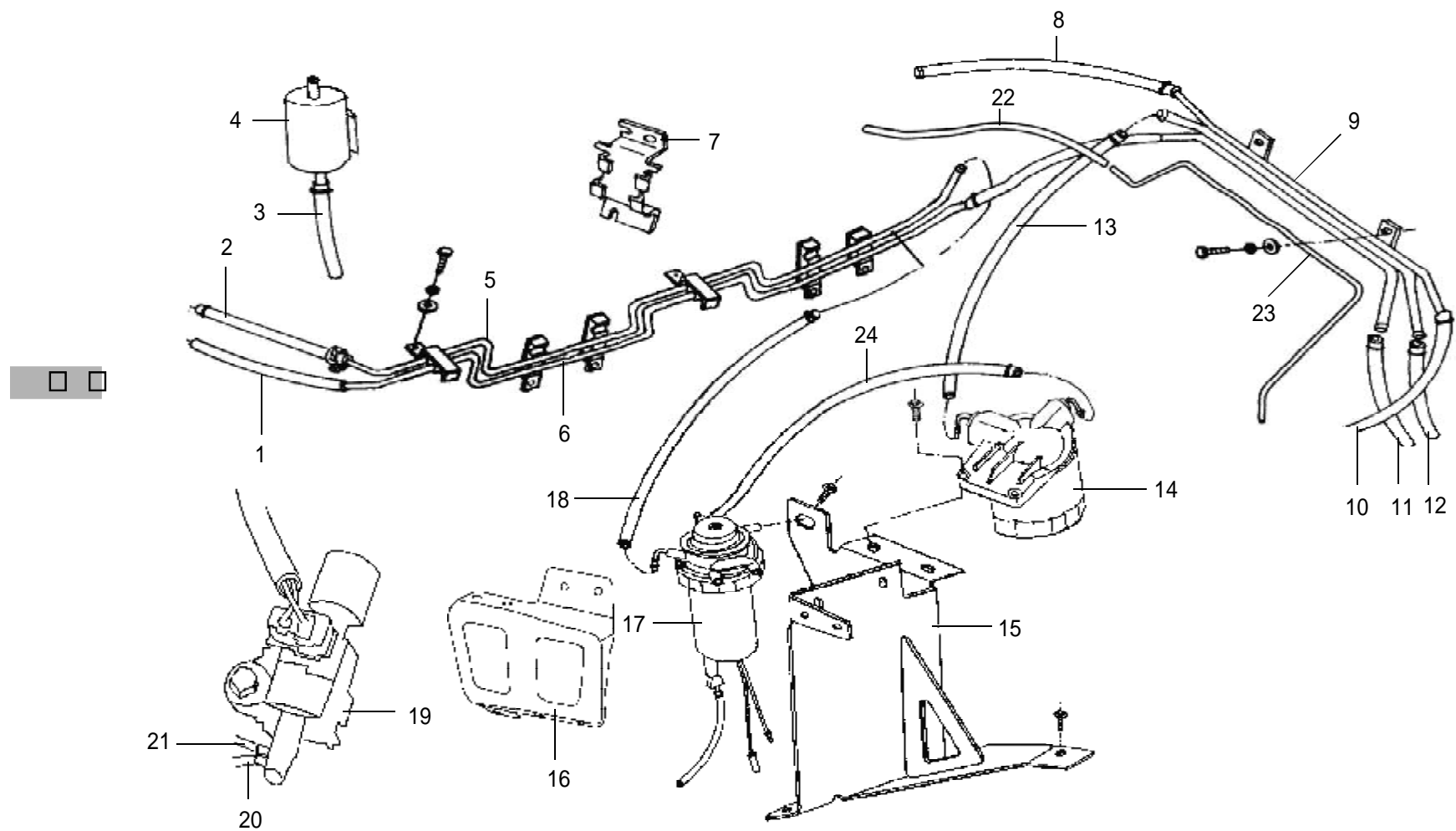
供油系(一)——燃油箱总成 FUEL SUPPLY SYSTEM (1) - FUEL TANK ASSEMBLY

序号 S/N	零部件代号 PART CODE	零部件名称 PART NAME	用量 QTY	适用车型 VEHICLE APPLICABLE TO	备注 REMARK
10	1101203-D06	加油口通气胶管 VENTILATION HOSE, FUEL FILLER	1	D06 D19 D21	
11	1130107-D43	燃油蒸发胶管三 FUEL EVAPORATION HOSE,NO. 3	1	D43 D46 D47 D48 D49	Φ6×12.5×210
12	1130106-D43	燃油蒸发胶管二 FUEL EVAPORATION HOSE,NO. 2	1	D43 D46 D47 D48 D49	Φ6×12.5×160
13	1130102-D43	燃油蒸发胶管一 FUEL EVAPORATION HOSE,NO. 1	1		Φ6×12.5×410
14	3704040-D23	油箱门锁总成 LOCK ASSEMBLY,FUEL TANK DOOR	1	D23 D24 D45 D46	
14	3704030-D22	油箱门锁总成 LOCK ASSEMBLY,FUEL TANK DOOR	1	D22 D43 D44	
15	1101210-D01	加油口分总成 FUEL FILLER ASSEMBLY	1	D01 D04 D06 D16 D62 D50 D65	
16	1101110-D22	燃油箱总成 FUEL TANK ASSEMBLY (USED BY DELPHI SYSTEM)	1	D22	德尔福系统用
17	1101110-D17	燃油箱总成 FUEL TANK ASSEMBLY (DIESEL ENGINE)	1	D16 D17 D18 D43 D47 D46 D48 D49 D62 D63 D64 D66	柴油
18	1101114-D17	燃油箱吸回油面板 RESORPTIVE FUEL RETURN PANEL	1		
19	1101111-D17	燃油箱进回油面板密封垫 FUEL TANK FUEL INTAKE-RETURN PANEL SEALING GASKET	1		
20	1106100HU-E01	汽油泵及支架总成 GASOLINE PUMP AND BRACKET SET (USED BY UAES)	1	D01 D02 D03 D04 D06 D22 D23 D24	联合电子系统用
	1106100-E01	汽油泵及支架总成 GASOLINE PUMP AND BRACKET SET(USED BY DELPHI SYSTEM)			德尔福系统用
21	1106100UA-E01	电动燃油泵 ELECTRIC FUEL PUMP (ENGINE ACCESSORIES)	1	D50 D65	发动机附件
22	1101102-D01	燃油箱护板 FUEL TANK SHIELD	1	D50 D65	



 每天进步一点点

供油系（二）——柴油 4D28 车型 FUEL SUPPLY SYSTEM (2)-DIESEL 4D28



每天进步一点点

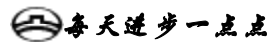
供油系（二）——柴油 4D28 车型 FUEL SUPPLY SYSTEM (2)-DIESEL 4D28

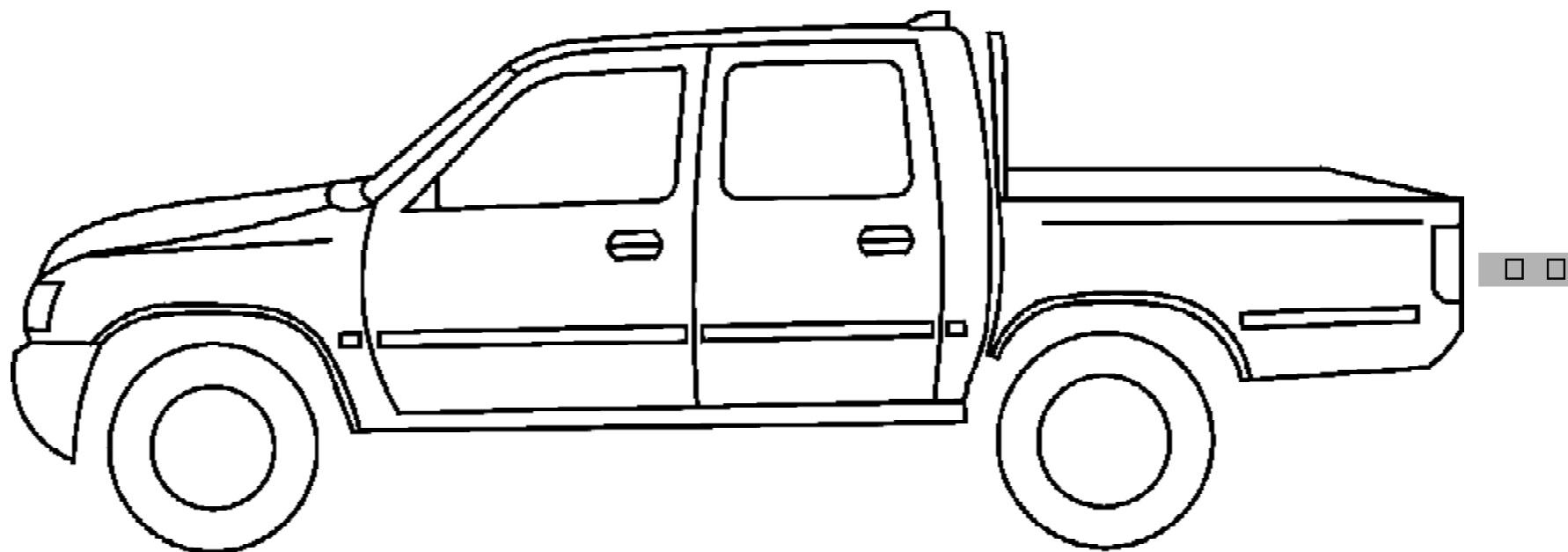
序号 S/N	零部件代号 PART CODE	零部件名称 PART NAME	用量 QTY	适用车型 VEHICLE APPLICABLE TO	备注 REMARK	
1	1104107-D17	燃油箱回油胶管 FUEL RETURN HOSE ,FUEL TANK	1	D16 D17 D18	Φ6×12.5×350	
	1104102-D21	燃油箱回油胶管 FUEL RETURN HOSE ,FUEL TANK	1	D19 D21		
2	1104101-D17	燃油箱出油管 FUEL OUTLET HOSE, FUEL TANK	1	D16 D17 D18	Φ7.6×15×350	
	1104101-D21	燃油箱出油管 FUEL OUTLET HOSE, FUEL TANK	1	D19 D21		
3	3513104-D17	真空助力胶管三 TUBE,NO.3, VACUUM BOOSTER PUMP	1	D16 D17 D18 D19 D21	Φ9×17.5×370	
4	3513101-D17	真空罐 VACUUM RESERVOIR	1			
	3513101-D66	真空罐 VACUUM RESERVOIR	1	D66		
5	1104102-D17	燃油箱出油管 FUEL OUTLET PIPE,FUEL TANK	1	D17	Φ7.6×0.71×2430	
	1104113-D21	燃油箱出油管 FUEL OUTLET PIPE,FUEL TANK	1	D19 D21		
6	1104108-D17	燃油箱回油管 RETURN PIPE,FUEL TANK	1	D17	Φ8×0.71×2450	
	1104114-D21	燃油箱回油管 RETURN PIPE,FUEL TANK	1	D19 D21		
7	1130101-D01-A1	碳罐支架 CARBON CANISTER BRACKET	1	D16 D17 D18 D19		
8	3513103-D17	真空助力胶管二 TUBE,NO.2, VACUUM BOOSTER PUMP	1	D16 D17 D18 D19 D21	Φ9×17.5×220	
9	1104120-D17	三组合油管总成 THREE-WAY FUEL PIPE	1			
10	3513102-D17	真空助力胶管一 TUBE,NO.1, VACUUM BOOSTER PUMP	1			Φ9×17.5×155
11	1104112-D17	油泵回油胶管 FUEL RETURN HOSE,FUEL PUMP	1			Φ6×12.5×300
	1104112-D17-B1	燃油泵回油胶管 FUEL RETURN HOSE,FUEL PUMP	1			Φ6×12.5×300, 高温
12	1104106-D62	发动机进油管 FUEL INLET HOSE,ENGINE	1	D62 D66	Φ7.6×15×470	
13	1104103-D17	燃油滤清器胶管 FUEL FILTER HOSE	1	D16 D17 D18 D19 D21 D66	Φ7.6×15×250	
14	1117100-D17	燃油滤清器总成 FUEL FILTER ASSEMBLY	1			
15	1117200-D17	油水分离器支架 BRACKET,OIL WATER SEPARATOR	1			
16	1125011-D66	油水分离器支架 BRACKET,OIL WATER SEPARATOR	1		D66	
17	1125100-D17	油水分离器总成 OIL WATER SEPARATOR ASSEMBLY	1	D16 D17 D18 D66		




供油系（二）——柴油 4D28 车型 FUEL SUPPLY SYSTEM (2)-DIESEL 4D28

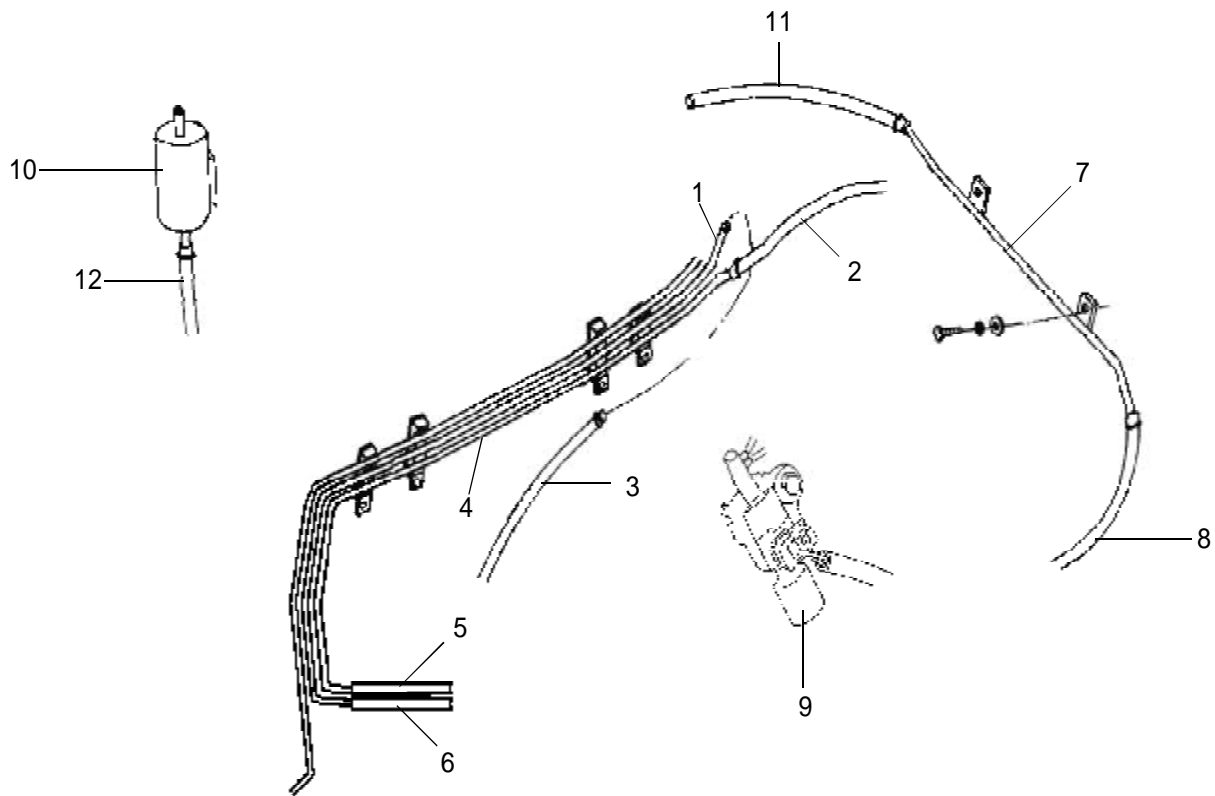
序号 S/N	零部件代号 PART CODE	零部件名称 PART NAME	用量 QTY	适用车型 VEHICLE APPLICABLE TO	备注 REMARK
18	1104101-D62	发动机进油胶管 FUEL INLET HOSE,ENGINE	1	D62 D66	
19	1000017-E02	真空电磁阀 VACUUM SOLENOID VALVE	1	D16 D17 D18 D19 D21	
	1000014-E03	真空电磁阀 VACUUM SOLENOID VALVE	1	D66	
	1111017-E02	电磁阀 SOLENOID VALVE	1	D66	
20	1134101-D17	怠速提升胶管一 IDLE BOOST HOSE,NO.1	1	D16 D17 D18 D19 D21	Φ3.5×7.5×280
21	1134102-D17	怠速提升胶管二 IDLE BOOST HOSE,NO.2	1		Φ3.5×7.5×170
22	1134103-D17	怠速提升胶管三 IDLE BOOST HOSE,NO.3	1		Φ3.5×7.5×300
	3510023-B02	怠速真空胶管 IDLE VACUUM HOSE	1		Φ35×7.5×320
23	1134104-D17	怠速提升油管 IDLE BOOST PIPE	1		
	1104120-D62	真空助力铁管 VACUUM PIPE (IRON)	1	D62 D66	
24	1104109-F00	油水分离器与滤清器连接胶管 CONNECTING HOSE,OIL WATER SEPARATOR & FUEL FILTER	1	D66	





 每天进步一点点

供油系(三)——柴油4L68车型 FUEL SUPPLY SYSTEM (3)-DIESEL 4L68

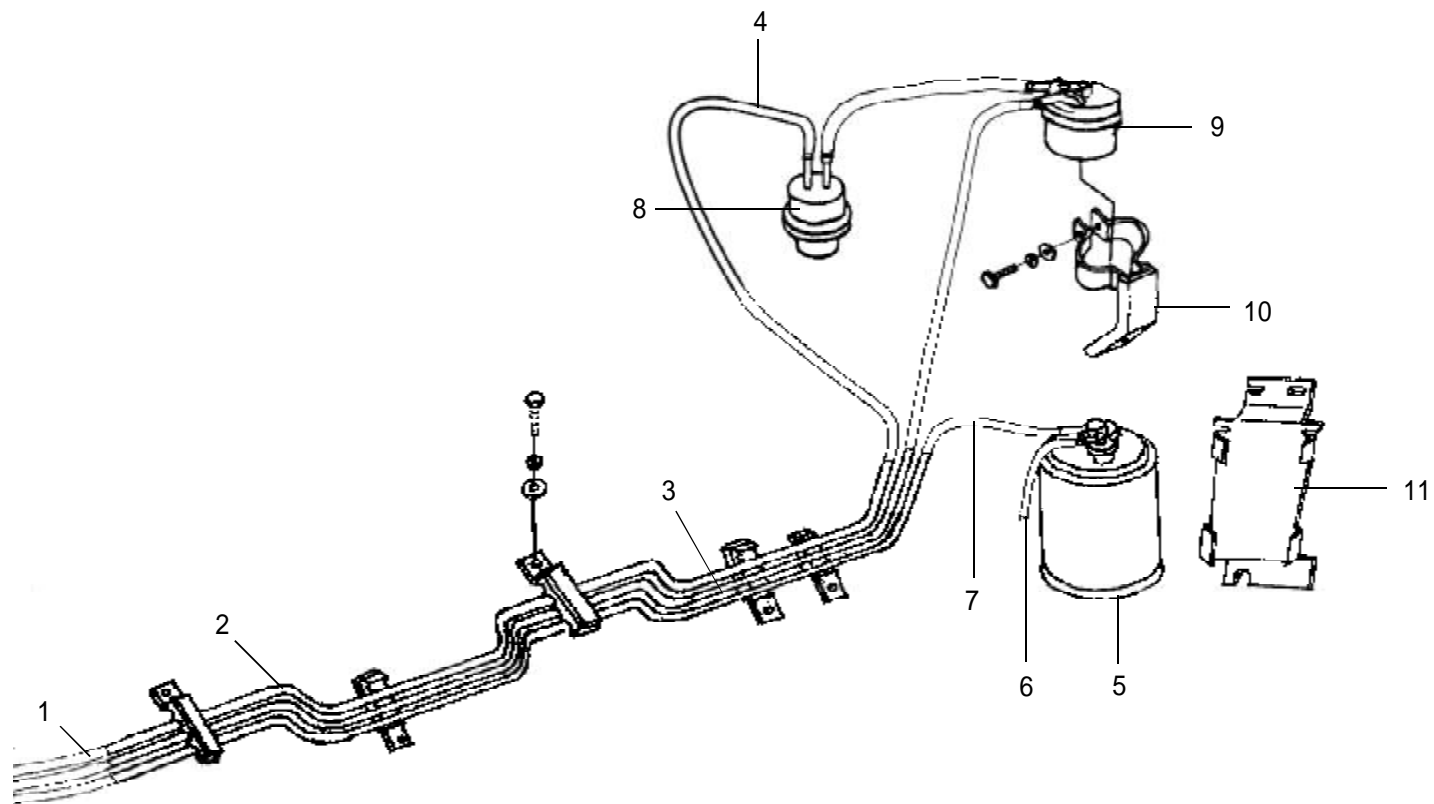


供油系(三)——柴油 4L68 车型 FUEL SUPPLY SYSTEM (3)-DIESEL 4L68

序号 S/N	零部件代号 PART CODE	零部件名称 PART NAME	用量 QTY	适用车型 VEHICLE APPLICABLE TO	备注 REMARK	
1	1104102-D62	燃油箱出油管 FUEL OUTLET PIPE,FUEL TANK	1	D62 D66	Φ8×3150	
	1104102-D63	燃油箱出油管 FUEL OUTLET PIPE,FUEL TANK	1	D63	Φ8×3680	
	1104102-D64	燃油箱出油管 FUEL OUTLET PIPE,FUEL TANK	1	D64	Φ8×3470	
2	1104109-D62	发动机回油胶管 FUEL RETURN HOSE,ENGINE	1	D62 D63 D64 D66	Φ6×12.5×620	
3	1104106-D62	发动机进油胶管 FUEL INTAKE HOSE ,ENGINE	1		Φ7.6×15×480	
4	1104108-D62	燃油箱回油管 RETURN PIPE,FUEL TANK	1	D62 D66	Φ6×3123	
	1104108-D63	燃油箱回油管 RETURN PIPE,FUEL TANK	1	D63	Φ6×3650	
	1104108-D64	燃油箱回油管 RETURN PIPE,FUEL TANK	1	D64	Φ6×3443	
5	1104107-D62	燃油箱回油胶管 FUEL RETURN HOSE ,FUEL TANK	1	D62 D63 D64 D66	Φ6×12.5×580	
6	1104107-D66	油泵出油胶管 FUEL OUTLET HOSE, FUEL PUMP	1	D66		
	1104101-D62	燃油箱出油胶管 FUEL OUTLET HOSE, FUEL TANK	1	D62 D63 D64	Φ7.6×15×580	
7	1104120-D62	真空助力铁管 VACUUM BOOSTER PIPE	1			
	1104120-D70	真空助力铁管 VACUUM BOOSTER PIPE (LEARNER DRIVEN VEHICLE)	1		教练	
8	3513102-D17	真空助力胶管一 TUBE,NO.1, VACUUM BOOSTER PUMP	1			Φ9×15×270
9	1134110-D62	怠速控制阀总成 IDLE SPEED CONTROL SERVO	1			
10	3513101-D62	真空罐 VACUUM RESERVOIR	1			
	3513101-D70	真空罐 VACUUM RESERVOIR (LEARNER DRIVEN VEHICLE)		教练		
11	3513103-D17	真空助力胶管二 TUBE,NO.2, VACUUM BOOSTER PUMP	1			
12	3513104-D62	真空助力胶管三 TUBE,NO.3, VACUUM BOOSTER PUMP	1		Φ9×15×270	



供油系(四)——化油器车型 FUEL SUPPLY SYSTEM (4)—CARBURETOR TYPE



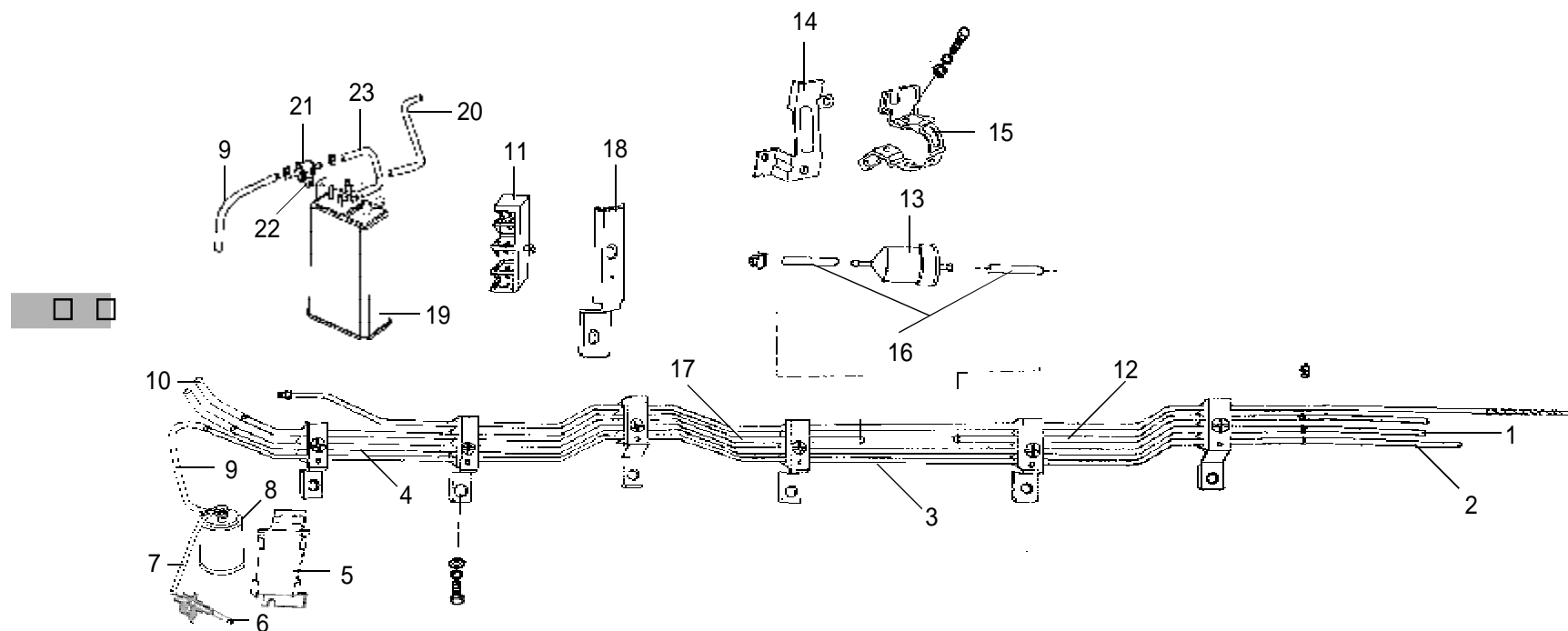
供油系(四)——化油器车型 FUEL SUPPLY SYSTEM (4)—CARBURETOR TYPE

序号 S/N	零部件代号 PART CODE	零部件名称 PART NAME	用量 QTY	适用车型 VEHICLE APPLICABLE TO	备注 REMARK	
1	1104101-D43	燃油箱胶管 FUEL OUTLET HOSE, FUEL TANK	2	D43 D46 D47 D48 D49	Φ6×12.5×380	
2	1104108-D43	燃油箱回油管 RETURN PIPE, FUEL TANK	1	D43	Φ6×2060	
3	1104102-D43	燃油箱出油管 FUEL OUTLET PIPE, FUEL TANK	1	D43	Φ6×2060	
4	1104109-D43	发动机胶管 ENGINE HOSE	1	D43 D46 D47 D48 D49	Φ6×12.5×350	
5	1130110-D43	碳罐总成 CARBON CANISTER ASSEMBLY	1			
6	1130105-D43	碳罐出气胶管 OUTLET HOSE, CARBON CANISTER	1			Φ3.5×7×900
7	1130104-D43	碳罐进气胶管 INTAKE HOSE, CARBON CANISTER	1			Φ6×12.5×430
8	1106020-E00	汽油泵 GASOLINE PUMP	1			
9	1105010-E00	燃油滤清器总成 FUEL FILTER ASSEMBLY	1			
10	1105110-E00	燃油滤清器支架总成 BRACKET ASSEMBLY, FUEL FILTER	1			
11	1130101-D01-A1	碳罐支架 CARBON CANISTER BRACKET	1			



供油系（五）——电喷燃油管路

FUEL SUPPLY SYSTEM (5)-ELECTRONIC FUEL INJECTION PIPELINE



每天进步一点点

供油系（五）——电喷燃油管路

FUEL SUPPLY SYSTEM (5)- ELECTRONIC FUEL INJECTION PIPELINE

序号 S/N	零部件代号 PART CODE	零部件名称 PART NAME	用量 QTY	适用车型 VEHICLE APPLICABLE TO	备注 REMARK
1	1104101-D01	燃油箱胶管 FUEL OUTLET HOSE, FUEL TANK	2	D01 D02 D03 D04 D06 D22 D23 D24 D48 D49 D50 D65	Φ7.6×15×320
2	1130102-D01	燃油蒸发胶管 FUEL EVAPORATION HOSE	1	D01 D02 D03 D04 D06 D22 D23 D24 D48 D49 D50 D65	Φ6×12.5×550
3	1130103-D01	燃油蒸发金属管 FUEL EVAPORATION PIPE	1	D01 D22 D44 D50 D65	Φ6×1960
	1130103-D75	燃油蒸发金属管 FUEL EVAPORATION PIPE		D47 D45 D24 D03	Φ6×2195
	1130103-D02	燃油蒸发金属管 FUEL EVAPORATION PIPE		D02	Φ6×2490
	1130103-D07	燃油蒸发金属管 FUEL EVAPORATION PIPE		D07	Φ6×2070
	1130103-D08	燃油蒸发金属管 FUEL EVAPORATION PIPE		D08	Φ6×2530
		1130109-D06	燃油箱蒸发油管 EVAPORATION HOSE, FUEL TANK	1	D04 D06
4	1104108-D01	燃油箱回油管 RETURN PIPE, FUEL TANK	1	D44 D22 D01 D50 D65	Φ8×1900
	1104108-D07	燃油箱回油管 RETURN PIPE, FUEL TANK		D07	Φ8×0.71×2050
	1104108-D75	燃油箱回油管 RETURN PIPE, FUEL TANK		D47 D45 D24 D03	Φ8×2135
	1104108-D02	燃油箱回油管 RETURN PIPE, FUEL TANK		D02	Φ8×0.71×2380
	1104114-D06	燃油箱回油管 RETURN PIPE, FUEL TANK		D04 D06	
	1104108-D08	燃油箱回油管 RETURN PIPE, FUEL TANK		D08	Φ8×0.71×2540
5	1130101-D01	碳罐支架 CARBON CANISTER BRACKET	1	D01 D02 D03 D04 D06 D22 D23 D24 D48 D49	
	1130101-D50	碳罐支架 CARBON CANISTER BRACKET	1	D50 D65	
6	1130106-D01	电磁阀至发动机胶管 HOSE, FROM ELECTROMAGNETIC VALVE TO ENGINE	1	D01 D02 D03 D04 D06	Φ5×150
7	1130105-D01	碳罐出气胶管 OUTLET HOSE, CARBON CANISTER	1		
8	1130110-D01	碳罐总成 CARBON CANISTER ASSEMBLY	1	D01 D02 D03 D04 D06 D22 D23 D24 D48 D49	格林利福



供油系（五）——电喷燃油管路

FUEL SUPPLY SYSTEM (5)- ELECTRONIC FUEL INJECTION PIPELINE

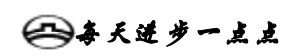
序号 S/N	零部件代号 PART CODE	零部件名称 PART NAME	用量 QTY	适用车型 VEHICLE APPLICABLE TO	备注 REMARK
9	1130104-D01	碳罐进气胶管 INTAKE HOSE,CARBON CANISTER	1	D01 D50 D65	Φ6×260
	1130102-B00-A1	碳罐进气胶管 INTAKE HOSE,CARBON CANISTER	1	D04 D06	Φ5×9×620
10	1104105-B00	发动机进油胶管 FUEL INLET HOSE,ENGINE	1	D04 D06	
	1104109-F00	发动机胶管 ENGINE HOSE	1	D07 D08	Φ7.6×270
11	1104211-D01	四线卡子 FOUR-PIPE CLIP	4	D01 D02 D03 D04 D06 D22 D23 D24 D48 D49 D50 D65	888 型
12	1104105-D01	燃油箱出油管后节 REAR SECTION,FUEL OUTLET PIPE,FUEL TANK	1	D01 D03 D04 D22 D23 D24 D48 D49 D50 D65	Φ8×0.71×545
	1104105-D07	燃油箱出油管后节 REAR SECTION,FUEL OUTLET PIPE,FUEL TANK		D07	Φ8×0.71×1450
	1104105-D08	燃油箱出油管后节 REAR SECTION,FUEL OUTLET PIPE,FUEL TANK		D08	Φ8×0.71×1960
	1104105-D02	燃油箱出油管后节 REAR SECTION,FUEL OUTLET PIPE,FUEL TANK		D02	Φ8×0.71×1380
	1104112-D06	燃油箱出油管后部 REAR PART,FUEL OUTLET HOSE ,FUEL TANK	1	D04 D06	
13	1105010-D01	燃油滤清器总成 FUEL FILTER ASSEMBLY	1	D01 D02 D03 D04 D06 D07 D08 D22 D23 D24 D48 D49 D50 D65	
14	1105101-E01	燃油滤清器支架一 BRACKET ASSEMBLY,NO.1,FUEL FILTER	1		
15	1105102-E01	燃油滤清器支架二 BRACKET ASSEMBLY,NO.2,FUEL FILTER	1		
16	1104103-D01	燃油滤清器胶管 FUEL FILTER HOSE	1	D50 D65	Φ7.6×105
	1104103-B00	燃油滤清器进油胶管 INLET HOSE,FUEL FILTER	1	D04 D06	
	1104104-B00	燃油滤清器出油胶管 OUTLET HOSE,FUEL FILTER	1	D04 D06	
17	1104102-D01	燃油箱出油管前节 FRONT SECTION,OUTLET PIPE,FUEL TANK	1	D01 D22 D44 D50 D65	Φ8×0.71×1290
	1104102-D07	燃油箱出油管前节 FRONT SECTION,OUTLET PIPE,FUEL TANK	1	D07 D08	Φ8×370



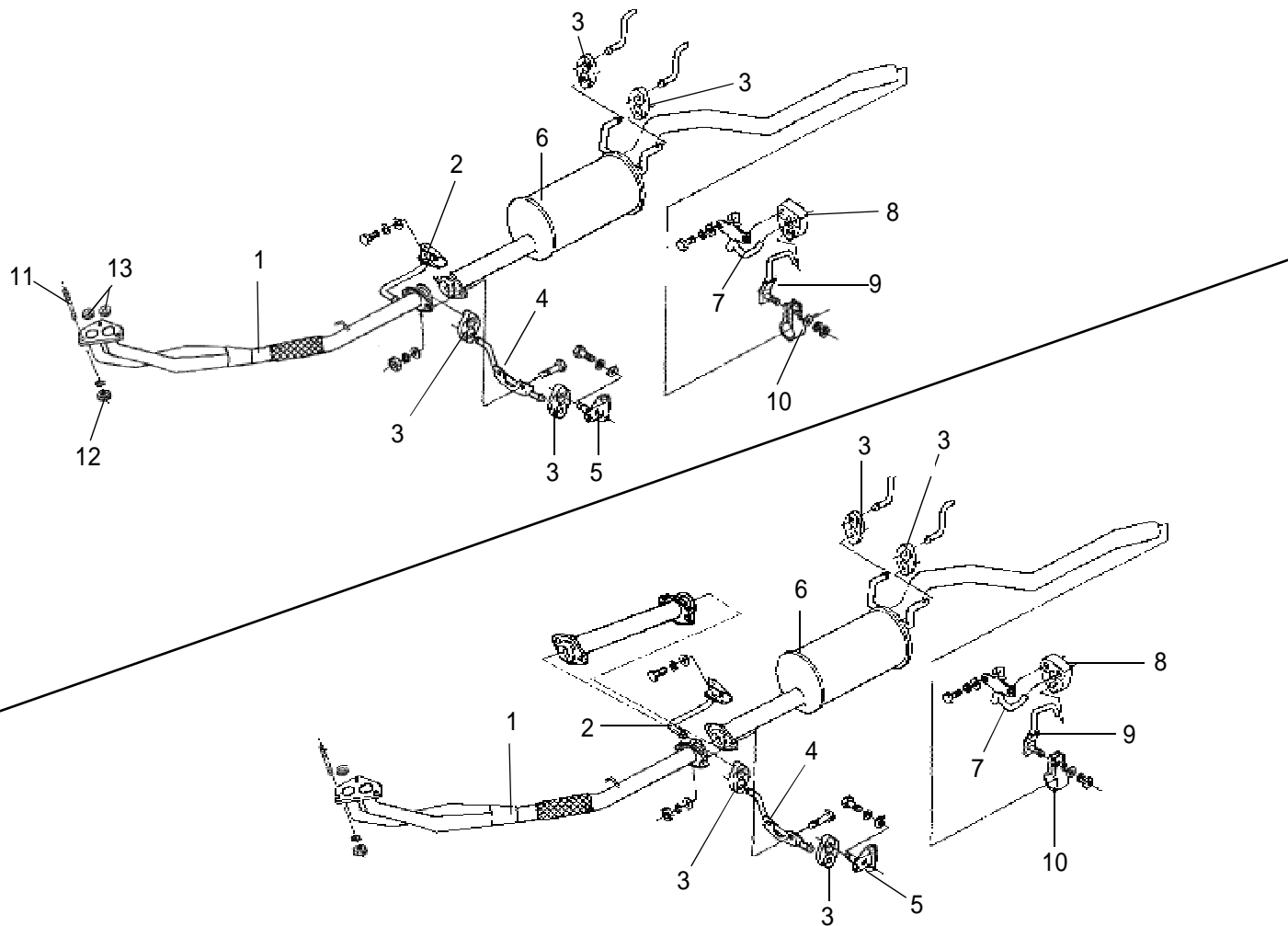
供油系（五）——电喷燃油管路

FUEL SUPPLY SYSTEM (5)- ELECTRONIC FUEL INJECTION PIPELINE

序号 S/N	零部件代号 PART CODE	零部件名称 PART NAME	用量 QTY	适用车型 VEHICLE APPLICABLE TO	备注 REMARK
17	1104102-D75	燃油箱出油管前节 FRONT SECTION,OUTLET PIPE,FUEL TANK	1	D75	Φ8×0.71×1375
	1104111-D06	燃油箱出油管前部 FRONT PART,FUEL OUTLET PIPE ,FUEL TANK	1	D04 D06	
18	1104212-D01	油管卡子座 FUEL PIPE CLAMP	1	D01 D02 D03 D04 D07 D08 D22 D23 D24 D48 D49 D50 D65	
19	1130110-F04	碳罐 CARBON CANISTER	1	D50 D65	
20	1130105-D50	碳罐出气胶管 OUTLET HOSE,CARBON CANISTER	1		
21	1130106-F04	保压阀 PRESSURE VALVE	1		
22	1130107-F04	保压阀支架 PRESSURE VALVE BRACKET	1		
23	1130108-F04	保压阀胶管 PRESSURE VALVE HOSE	1		



排气系装置——化油器系列 EXHAUST DEVICE-CARBURETOR SERIES



每天进步一点点

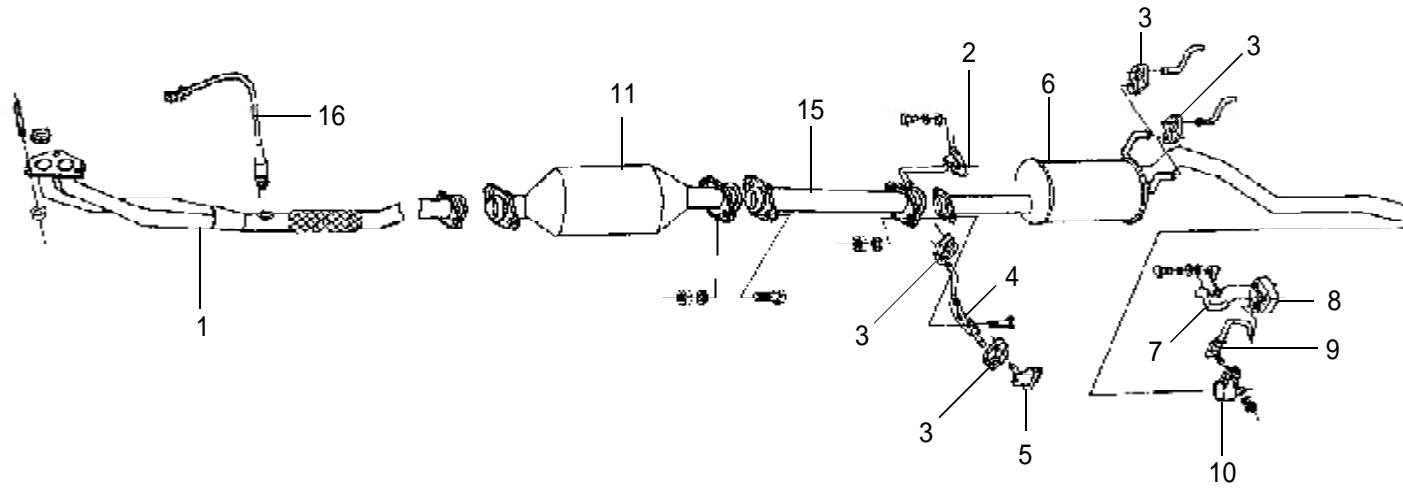
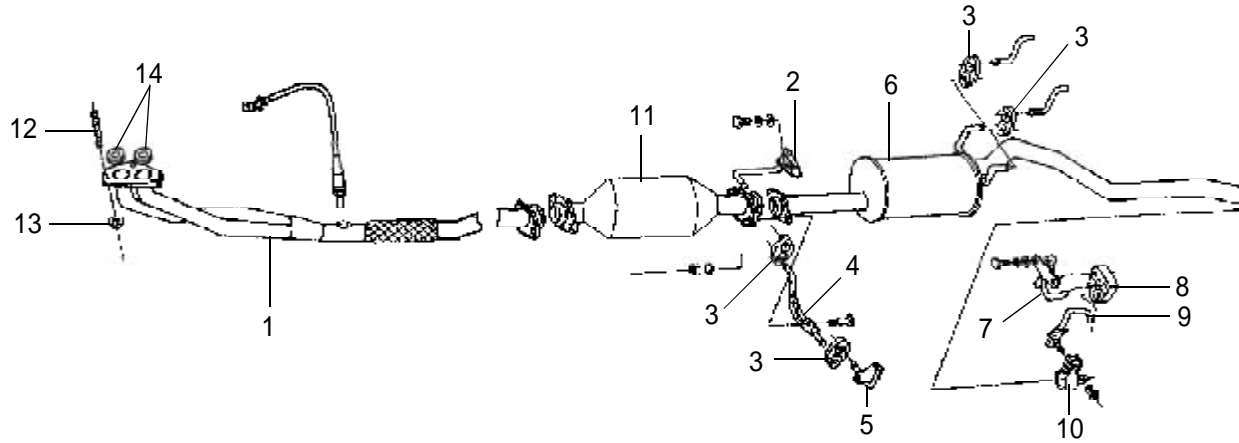
排气系装置——化油器系列 EXHAUST DEVICE-CARBURETOR SERIES

序号 S/N	零部件代号 PART CODE	零部件名称 PART NAME	用量 QTY	适用车型 VEHICLE APPLICABLE TO	备注 REMARK
1	1201100-D43	排气管前节总成 FRONT SECTION ASSEMBLY,EXHAUST PIPE	1	D43 D46	
	1201100-D06-B1	排气管前节总成 FRONT SECTION ASSEMBLY,EXHAUST PIPE		D06	
	1201100-D06-B2	排气管前节总成 FRONT SECTION ASSEMBLY,EXHAUST PIPE (IRON)		D06	铁
	1201100-D04-B1	排气管前节总成 FRONT SECTION ASSEMBLY,EXHAUST PIPE		D04	
2	1201203-D01	排气管吊挂支架三 HANGER BRACKET, NO.3, EXHAUST PIPE	1	D01 D02 D03 D07 D08 D16 D17 D18 D50 D43 D62 D63 D64 D65 D66	
3	1201011-D01	双孔胶块 TWO-HOLE RUBBER PIECE	5	D01 D02 D03 D04 D06 D07 D08 D16 D17 D18 D19 D21 D50 D43 D62 D63 D64 D65 D66	
4	1201202-D01	排气管吊挂支架二 HANGER BRACKET, NO.2, EXHAUST PIPE	1	D01 D02 D03 D07 D08 D16 D17 D18 D50 D43 D62 D63 D64 D65 D66	
5	1201201-D01	排气管吊挂支架一 HANGER BRACKET, NO.1, EXHAUST PIPE	1		
6	1201210-D01	消声器及尾管总成 MUFFLER ASSEMBLY (ALUMINIZING)	1	D01 D02 D22 D23 D43 D44 D46	渗铝
	1201210-D07	消声器及尾管总成 MUFFLER ASSEMBLY		D07 D08 D28 D30	
	1201210-D31	消声器及尾管总成 MUFFLER ASSEMBLY (ALUMINIZING)		D31	渗铝
	1201210-D75	消声器及尾管总成 MUFFLER ASSEMBLY (MIDDLE DOUBLE CAB, ALUMINIZING)		D03 D24 D45	中双,渗铝
7	1201204-D01	消声器吊挂支架四 HANGER BRACKET, NO.1, EXHAUST PIPE	1	D01 D02 D03 D07 D08 D16 D17 D18 D43 D62 D63 D64 D65	
8	1201012-D01	三孔胶块 3-HOLE RUBBER PIECE, EXHAUST PIPE HANGER	1	D01 D02 D03 D04 D06 D07 D08 D16 D17 D18 D19 D21 D43 D50 D62 D63 D64 D65 D66	
9	1201205-D01	消声器卡箍吊钩 MUFFLER CLIP HOOK	1	D01 D02 D03 D07 D08 D16 D17 D18 D43 D50 D62 D63 D64 D65 D66	
10	1201201-D01	消声器卡箍 MUFFLER CLIP	1		
11	1008014-E00	进排气管双头螺栓 STUD BOLT,INTAKE/EXHAUST PIPE	3	D01 D02 D03 D04 D07 D08 D43 D50 D65	
12	1008015-E00	排气管出出口螺母 NUT,EXHAUST PIPE	3		
13	1008070A-E00	排气管出口密封衬垫组件 GASKET KIT ,EXHAUST PIPE	2		



排气系装置——电喷系列

EXHAUST DEVICE-ELECTRIC INJECTION SERIES



每天进步一点点

排气系装置——电喷系列
EXHAUST DEVICE-ELECTRIC INJECTION SERIES

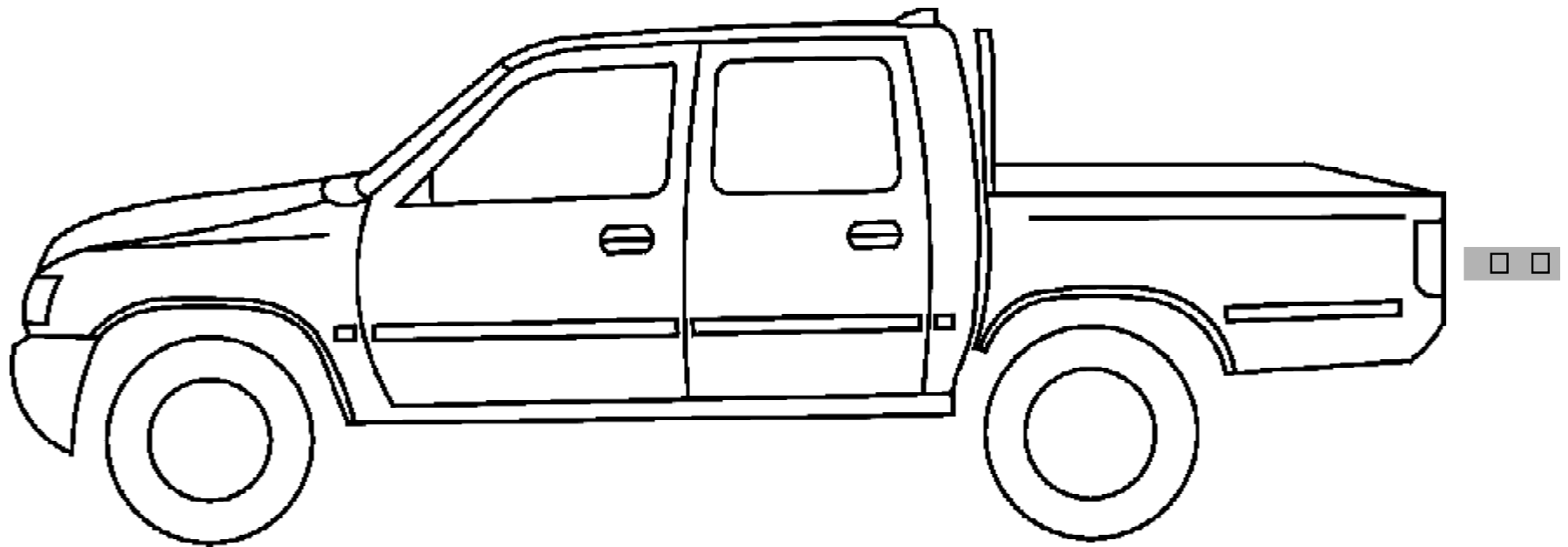
序号 S/N	零部件代号 PART CODE	零部件名称 PART NAME	用量 QTY	适用车型 VEHICLE APPLICABLE TO	备注 REMARK
1	1201100-D01	排气管前节总成 FRONT SECTION ASSEMBLY,EXHAUST PIPE	1	D01 D02 D03 D22 D23 D24 D44 D45 D46	
	1201100-F00	排气管前节总成 FRONT SECTION ASSEMBLY,EXHAUST PIPE		D02 D08	
	1201100-D50	排气管前节总成 FRONT SECTION ASSEMBLY,EXHAUST PIPE		D50 D65	
	1201100-D04	排气管前节总成 FRONT SECTION ASSEMBLY,EXHAUST PIPE		D04	
	1201100-D06	排气管前节总成 FRONT SECTION ASSEMBLY,EXHAUST PIPE		D06	
2	1201203-D01	排气管吊挂支架三 HANGER BRACKET, NO.3, EXHAUST PIPE	1	D01 D02 D03 D07 D08 D16 D17 D18 D43 D62 D63 D64 D50 D65 D66	
3	1201011-D01	双孔胶块 TWO-HOLE RUBBER PIECE	4	D01 D02 D03 D04 D06 D07 D08 D16 D17 D18 D19 D21 D43 D62 D63 D64 D50 D65 D66	
	1201202-D01	排气管吊挂支架二 HANGER BRACKET, NO.2, EXHAUST PIPE		1	D06
	1201202-B00	排气管吊挂支架二 HANGER BRACKET, NO.2, EXHAUST PIPE			
5	1201201-D01	排气管吊挂支架一 HANGER BRACKET, NO.1, EXHAUST PIPE	1	D01 D02 D03 D04 D06 D07 D08 D16 D17 D18 D19 D21 D43 D62 D63 D64 D50 D65 D66	
	1201201-B00	排气管吊挂支架一 HANGER BRACKET, NO.1, EXHAUST PIPE		D06	
6	1201210-D01	消声器及尾管总成 MUFFLER ASSEMBLY	1	D01 D02 D22 D23 D43 D44 D46	
	1201210-D07	消声器及尾管总成 MUFFLER ASSEMBLY		D07 D08 D28 D30	
	1201210-D75	消声器及尾管总成 MUFFLER ASSEMBLY		D03 D24 D45	
	1201210-D50	消声器及尾管总成 MUFFLER ASSEMBLY (PLAIN FLANGE)		D50 D65	平法兰
	1201200-D50	消声器及尾管安装总成 MUFFLER ASSEMBLY (PLAIN FLANGE)		D50 D65	平法兰
	1201210-D04	消声器总成 MUFFLER ASSEMBLY		D04	
	1201210-D06	消声器总成 MUFFLER ASSEMBLY		D06	




排气系装置——电喷系列
EXHAUST DEVICE-ELECTRIC INJECTION SERIES

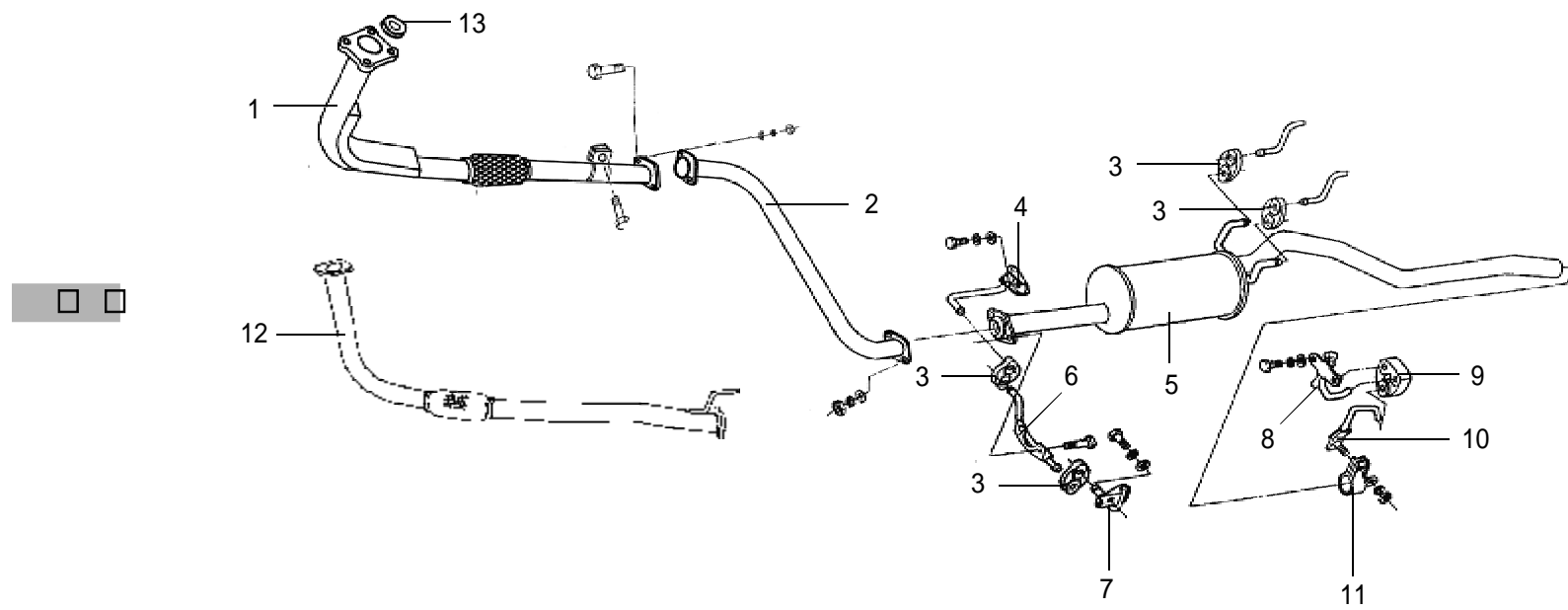
序号 S/N	零部件代号 PART CODE	零部件名称 PART NAME	用量 QTY	适用车型 VEHICLE APPLICABLE TO	备注 REMARK
7	1201204-D01	消声器吊挂支架四 HANGER BRACKET, NO.4, EXHAUST PIPE	1	D01 D02 D03 D07 D08 D16 D17 D18 D43 D62 D63 D64 D65	
8	1201012-D01	三孔胶块 3-HOLE RUBBER PIECE, EXHAUST PIPE HANGER	1	D01 D02 D03 D04 D06 D07 D08 D16	
9	1201205-D01	消声器卡箍吊钩 MUFFLER CLIP HOOK	1	D17 D18 D19 D21 D43 D62 D63 D64 D50 D65 D66	
10	1201206-D01	消声器卡箍 MUFFLER CLIP	1	D01 D02 D03 D04 D06 D07 D08 D16 D17 D18 D43 D62 D63 D64 D50 D65 D66	
11	1205020-E01	催化转化器总成 CATALYTIC CONVERTER ASSEMBLY	1	D01 D02 D03 D04 D06 D07 D08	
	1205020-D50	催化转化器总成 CATALYTIC CONVERTER ASSEMBLY (PLAIN FLANGE)	1	D50 D65	平法兰
12	1008014-E00	进排气管双头螺栓 STUD BOLT,INTAKE/EXHAUST PIPE	3	D01 D02 D03 D04 D06 D07 D08 D43	
13	1008015-E00	排气管出出口螺母 NUT,EXHAUST PIPE	3	D50 D65	
14	1008070A-E00	排气管出口密封衬垫组件 GASKET KIT ,EXHAUST PIPE	2		
	1201207-F04	排气管密封垫 GASKET KIT ,EXHAUST PIPE	3	D50	
	1201021-F04	排气管密封垫 GASKET KIT ,EXHAUST PIPE	3	D65	
15	1201300-D02	排气管加长节总成 MIDDLE SECTION ASSEMBLY ,EXHAUST PIPE	1	D02 D08	
	1201300-D65	排气管中节总成 MIDDLE SECTION ASSEMBLY ,EXHAUST PIPE	1	D65	
16	3609700U-E01	氧传感器 OXYGEN SENSOR (UAES,EURO II)	1	D01 D02 D03 D04 D06 D07 D08	联合电子欧II
	3609700-E01	氧传感器 OXYGEN SENSOR (DELPHI,EURO II)		D01 D02 D03 D04 D06 D07 D08	德尔福, 欧II
	3609700U-E07	氧传感器 OXYGEN SENSOR (UAES,EURO III)		D50 D65	联合电子欧III
	3603600-E07	氧传感器 OXYGEN SENSOR (DELPHI,EURO III)		D50 D65	德尔福, 欧III

 每天进步一点点



 每天进步一点点

排气系装置——柴油系列 EXHAUST DEVICE-DIESEL SERIES



 每天进步一点点

排气系装置——柴油系列 EXHAUST DEVICE-DIESEL SERIES

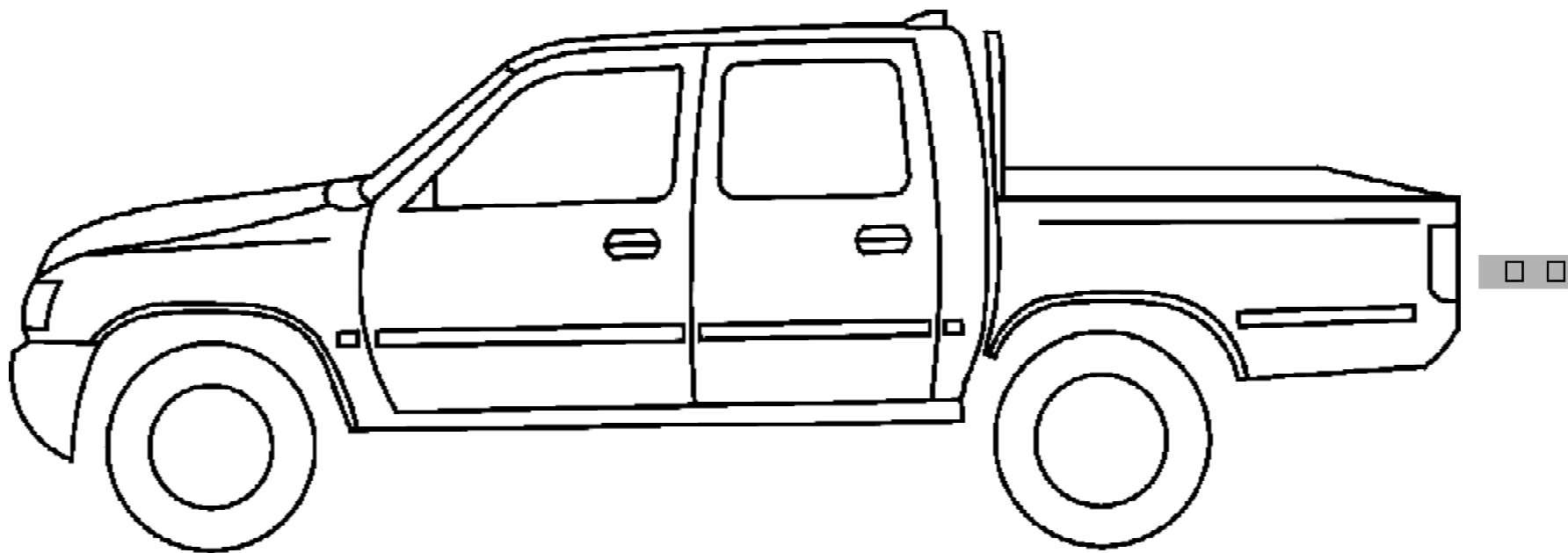
序号 S/N	零部件代号 PART CODE	零部件名称 PART NAME	用量 QTY	适用车型 VEHICLE APPLICABLE TO	备注 REMARK
1	1201100-D17	排气管前节总成 FRONT SECTION ASSEMBLY,EXHAUST PIPE	1	D16 D17 D37 D38	
	1201100-D62	排气管前节总成 FRONT SECTION ASSEMBLY,EXHAUST PIPE		D62 D63 D64	
	1201100-D21	排气管前节总成 FRONT SECTION ASSEMBLY,EXHAUST PIPE	1	D21	
	1201100-D19	排气管前节总成 FRONT SECTION ASSEMBLY,EXHAUST PIPE	1	D19	
2	1201400-D17	排气管 S 弯管总成 S PIPE ASSEMBLY,EXHAUST PIPE	1	D16 D17 D37 D38 D62 D63 D64 D66	
	1201400-D21	排气管 S 弯管总成 S PIPE ASSEMBLY,EXHAUST PIPE	1	D21	
3	1201011-D01	双孔胶块 TWO-HOLE RUBBER PIECE (STANDARD CAB INCLUDES FOUR,LARGE DOUBLE CAB INCLUDES SIX)	4	D01 D02 D03 D04 D06 D07 D08 D16 D17 D18 D19 D21 D43 D50	小双 4 个,大双 6 个
4	1201202-D01	排气管吊挂支架二 HANGER BRACKET, NO.2, EXHAUST PIPE	1	D62 D63 D64 D65 D66	
5	1201210-D17	消声器及尾管总成 MUFFLER ASSEMBLY	1	D16 D17 D37 D38 D66	
	1201200-D17	消声器及尾管安装总成 MUFFLER ASSEMBLY	1	D66	
	1201210-B02	消声器总成 MUFFLER ASSEMBLY	1	D21	
	1201210-D19	消声器总成 MUFFLER ASSEMBLY	1	D19	
6	1201203-D01	排气管吊挂支架三 HANGER BRACKET, NO.3, EXHAUST PIPE	1	D01 D02 D03 D07 D08 D16 D17 D18 D43 D50 D62 D63 D64 D65 D66	
7	1201201-D01	排气管吊挂支架一 HANGER BRACKET, NO.1, EXHAUST PIPE	1	D01 D02 D03 D04 D06 D07 D08 D16 D17 D18 D19 D21 D43 D50 D62 D63 D64 D65 D66	
	1201013-D21	排气管吊挂支架 HANGER BRACKET, EXHAUST PIPE	1	D21	
8	1201204-D01	消声器吊挂支架四 HANGER BRACKET, NO.4, EXHAUST PIPE	1	D01 D02 D03 D07 D08 D16 D17 D18 D43 D62 D63 D64 D65	
	1201204-D50	消声器吊挂支架四 HANGER BRACKET, NO.4, EXHAUST PIPE	1	D50	



排气系装置——柴油系列 EXHAUST DEVICE-DIESEL SERIES

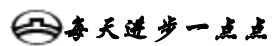
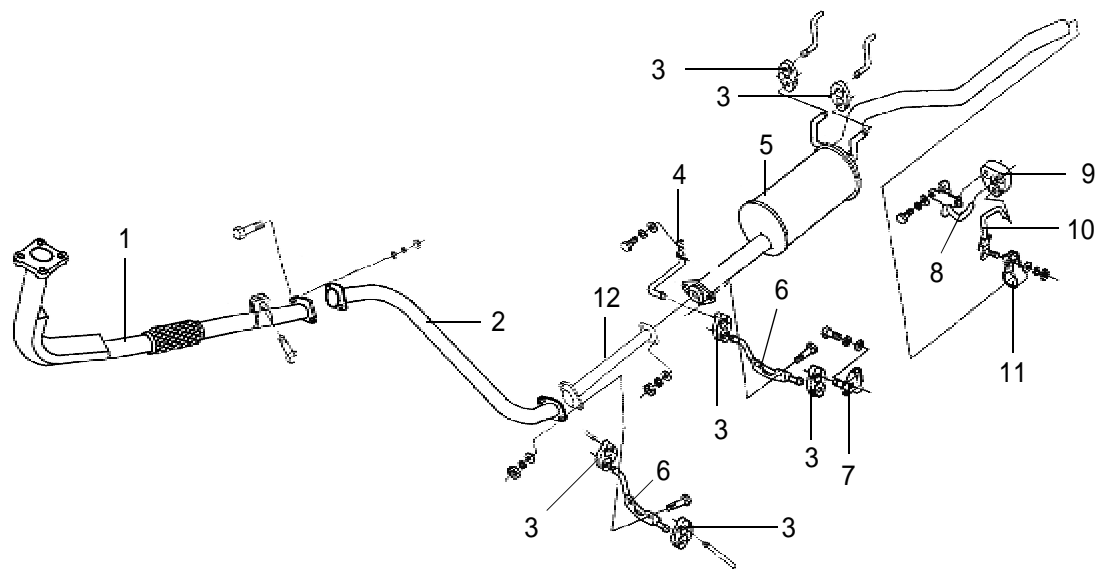
序号 S/N	零部件代号 PART CODE	零部件名称 PART NAME	用量 QTY	适用车型 VEHICLE APPLICABLE TO	备注 REMARK
9	1201012-D01	三孔胶块 3-HOLE RUBBER PIECE, EXHAUST PIPE HANGER	1	D01 D02 D03 D04 D06 D07 D08 D16 D17 D18 D43 D50 D62 D63 D64 D65 D66	
10	1201205-D01	消声器卡箍吊钩 MUFFLER CLIP HOOK	1	D01 D02 D03 D04 D06 D07 D08 D16 D17 D18 D19 D21 D43 D50 D62 D63 D64 D65 D66	
11	1201206-D17	消声器卡箍 MUFFLER CLIP	1	D16 D17 D18 D62 D63 D64 D50 D65 D66	
	1201012-D21	排气管环箍 CLIP , EXHAUST PIPE	1	D21	
12	1201110-D66	排气管前节总成 FRONT SECTION ASSEMBLY,EXHAUST PIPE	1	D66	
13	1000016-E02	排气口接口垫 GASKET,EXHAUST PORT	1	D01 D02 D03 D04 D06 D07 D08 D16 D17 D18 D19 D21 D43 D50 D62 D63 D64 D65 D66	





 每天进步一点点

排气系装置——柴油系列 EXHAUST AIR SYSTEM DEVICE-DIESEL SERIES

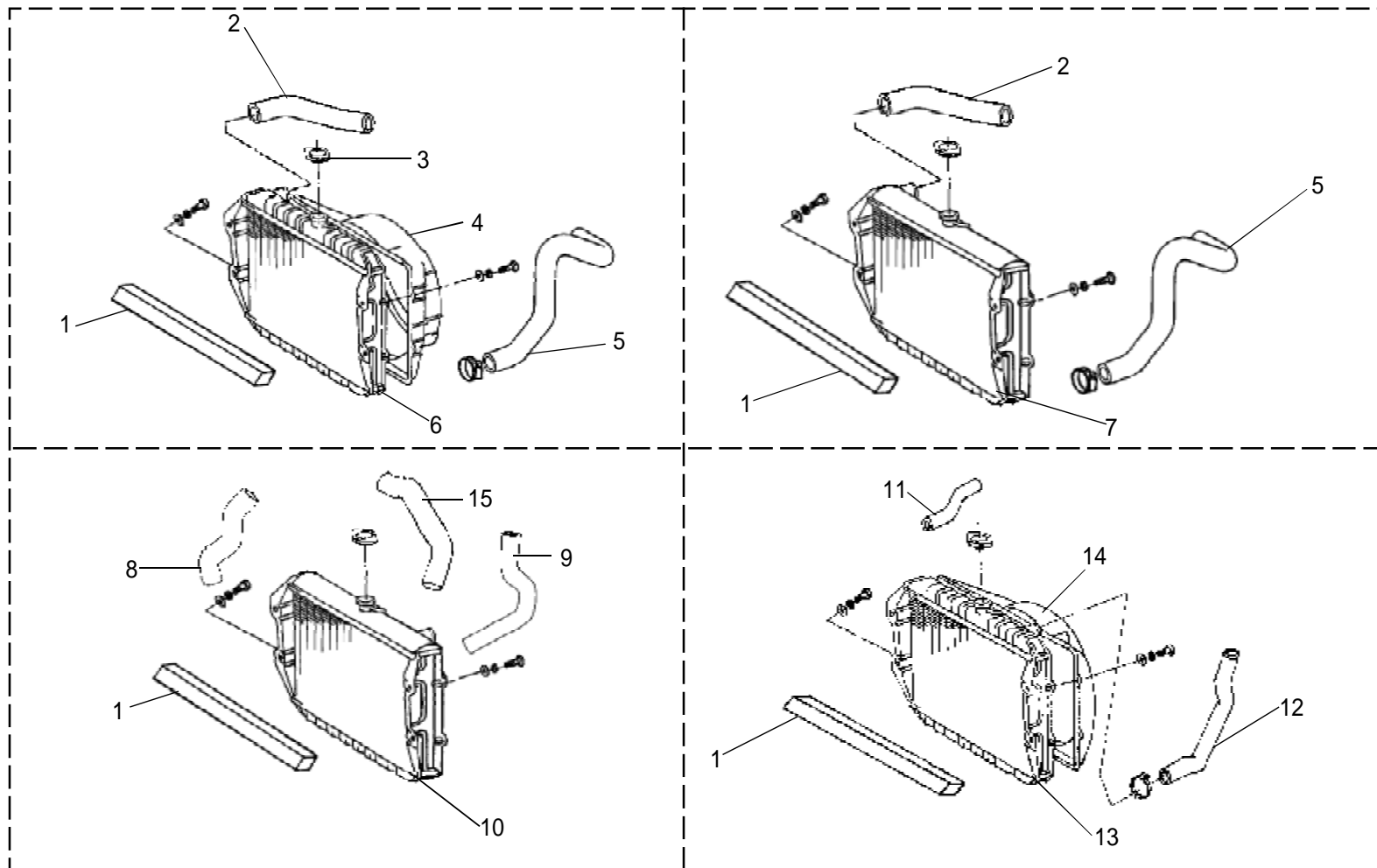


排气系装置——柴油系列 EXHAUST DEVICE-DIESEL SERIES

序号 S/N	零部件代号 PART CODE	零部件名称 PART NAME	用量 QTY	适用车型 VEHICLE APPLICABLE TO	备注 REMARK
1	1201100-D17	排气管前节总成 FRONT SECTION ASSEMBLY,EXHAUST PIPE	1	D16 D17 D37 D38	
	1201100-D62	排气管前节总成 FRONT SECTION ASSEMBLY,EXHAUST PIPE		D62 D63 D64	
2	1201400-D17	排气管 S 弯管总成 S PIPE ASSEMBLY,EXHAUST PIPE	1	D16 D17 D37 D38 D62 D63 D64 D66	
3	1201011-D01	双孔胶块 TWO-HOLE RUBBER PIECE (STANDARD CAB INCLUDES FOUR,LARGE DOUBLE CAB INCLUDES SIX)	4	D01 D02 D03 D04 D06 D07 D08 D16 D17 D18 D19 D21 D43 D50 D62 D63 D64 D65 D66	小双 4 个,大双 6 个
4	1201202-D17	排气管吊挂支架二 HANGER BRACKET, NO.2, EXHAUST PIPE	1	D01 D02 D03 D07 D08 D16 D17 D18 D43 D50 D62 D63 D64 D65 D66	
5	1201210-D17	消声器及尾管总成 MUFFLER ASSEMBLY	1	D16 D17 D37 D38 D66	
6	1201203-D17	排气管吊挂支架三 HANGER BRACKET, NO.3, EXHAUST PIPE	1	D01 D02 D03 D04 D07 D08 D16 D17 D18 D19 D43 D50 D62 D63 D64 D65 D66	
7	1201201-D17	排气管吊挂支架一 HANGER BRACKET, NO.1, EXHAUST PIPE	1	D01 D02 D03 D04 D07 D08 D16 D17 D18 D19 D43 D50 D62 D63 D64 D65 D66	
8	1201204-D01	消声器吊挂支架四 HANGER BRACKET, NO.4, EXHAUST PIPE	1	D01 D02 D03 D04 D07 D08 D16 D17 D18 D19 D43 D62 D63 D64 D65	
9	1201012-D01	三孔胶块 3-HOLE RUBBER PIECE, EXHAUST PIPE HANGER	1	D01 D02 D03 D04 D06 D07 D08 D16 D17 D18 D19 D21 D43 D50 D62 D63 D64 D65 D66	
10	1201205-D01	消声器卡箍吊钩 MUFFLER CLIP HOOK	1	D01 D02 D03 D07 D08 D16 D17 D18 D43 D50 D62 D63 D64 D65 D66	
11	1201206-D17	消声器卡箍 MUFFLER CLIP	1	D16 D17 D18 D50 D62 D63 D64 D65 D66	
12	1201300-D17	排气管加长节总成 MIDDLE SECTION ASSEMBLY ,EXHAUST PIPE	1	D17 D63	



散热器总成 RADIATOR ASSEMBLY



每天进步一点点

散热器总成 RADIATOR ASSEMBLY

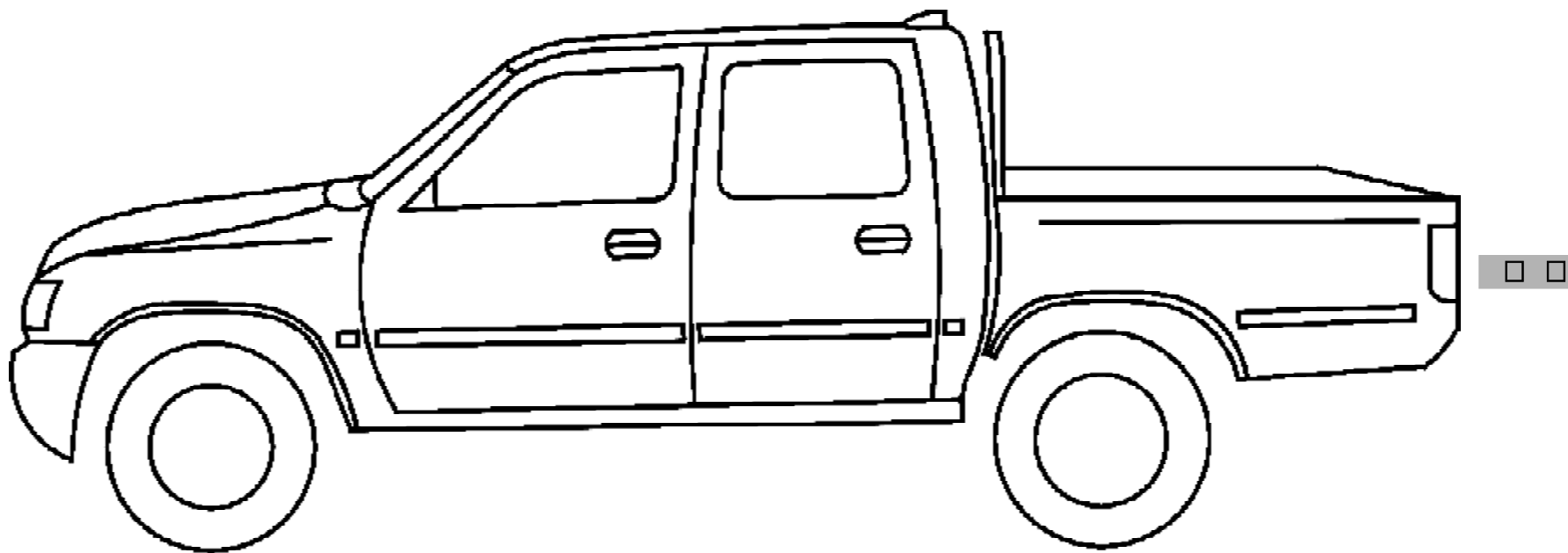
序号 S/N	零部件代号 PART CODE	零部件名称 PART NAME	用量 QTY	适用车型 VEHICLE APPLICABLE TO	备注 REMARK
1	1301102-F00	散热器海绵条 RADIATOR SPONGE STRIP (NEW FRONT FACE)	1	D50 D65	新前脸
	1301102-D01	散热器海绵条 RADIATOR SPONGE STRIP (DOUBLE ROW RADIATOR)		D01 D02 D03 D07 D08 D22 D23 D24 D44 D45 D46 D47 D48 D49 D50 D65	双排
2	1301103-D01	散热器上水胶管 RADIATOR HOSE,UPPER (DOUBLE ROW RADIATOR)	1	D01 D02 D03 D04 D06 D07 D08 D22 D23 D24 D44 D45 D46 D47 D48 D49 D50 D65	双排
3	1301111-D01	散热器盖 RADIATOR CAP (DOUBLE ROW RADIATOR)	1	D01 D02 D03 D07 D08 D22 D23 D24 D44 D45 D46 D47 D48 D49 D50 D65	双排
	1301111-D44	散热器盖 RADIATOR CAP (THREE ROW RADIATOR)		D01 D02 D03 D04 D06 D07 D08 D22 D23 D24 D44 D45 D46 D47 D48 D49 D50 D65	三排
4	1301121-D01	风扇护风罩 FAN SHROUD (DOUBLE ROW RADIATOR)	1	D01 D02 D03 D07 D08 D22 D23 D24 D44 D45 D46 D47 D48 D49 D50 D65	双排
5	1301104-D01	散热器下水胶管 RADIATOR HOSE,LOWER (DOUBLE ROW RADIATOR)	1	D01 D02 D03 D04 D06 D07 D08 D22 D23 D24 D44 D45 D46 D47 D48 D49 D50 D65	双排
6	1301120-D01	散热器总成 RADIATOR ASSEMBLY (DOUBLE ROW RADIATOR, WITH FAN SHROUD)	1	D01 D02 D03 D07 D08 D22 D23 D24 D44 D45 D46 D47 D48 D49 D50 D65	双排, 含风扇护风罩
	1301120-D44	散热器总成 RADIATOR ASSEMBLY (THREE ROW RADIATOR, WITH FAN SHROUD)		D01 D02 D03 D04 D06 D07 D08 D22 D23 D24 D44 D45 D46 D47 D48 D49 D50 D65	三排, 含风扇护风罩
	1301120-F00	散热器总成 RADIATOR ASSEMBLY (NEW FRONT FACE)		D50 D65	新前脸
7	1301110-D01	散热器总成 RADIATOR ASSEMBLY (MODEL 2004A, WITH CAP)	1	D01 D02 D03 D50 D65	2004A 款, 含盖
	1301110-D17	散热器总成 RADIATOR ASSEMBLY	1	D66	



散热器总成 RADIATOR ASSEMBLY

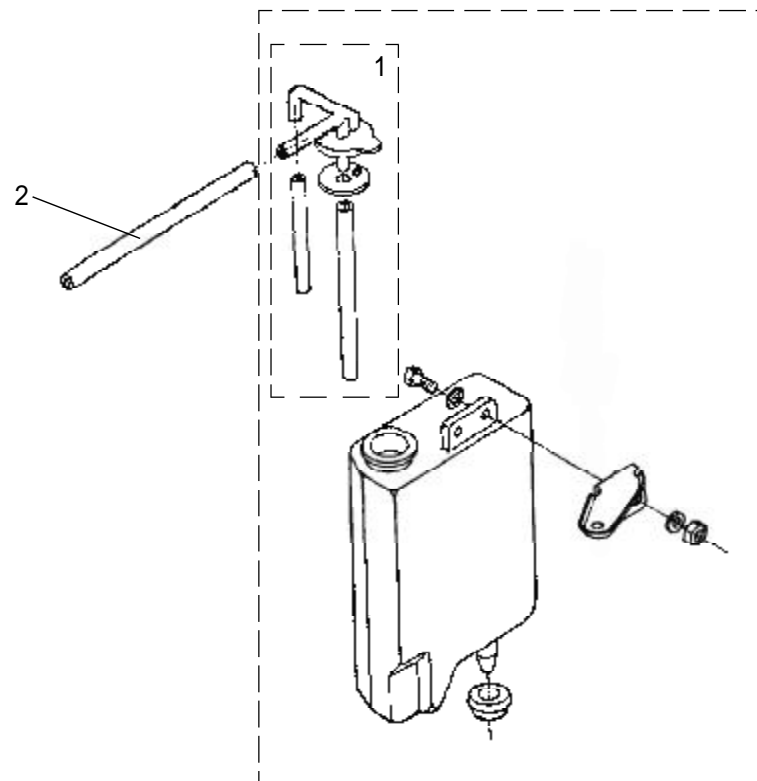
序号 S/N	零部件代号 PART CODE	零部件名称 PART NAME	用量 QTY	适用车型 VEHICLE APPLICABLE TO	备注 REMARK
7	1301110-F00	散热器总成 RADIATOR ASSEMBLY (NEW FRONT FACE)	1	D50 D65	新前脸
8	1301104-D62	散热器下水胶管 RADIATOR HOSE,LOWER	1	D62 D63 D64	
9	1301103-D62	散热器上水胶管 RADIATOR HOSE,UPPER			
	1301103-F00	散热器上水胶管 RADIATOR HOSE,UPPER (NEW FRONT FACE)			D50 D65
10	1301110-D62	散热器总成 RADIATOR ASSEMBLY (DIESEL ENGINE 4L68)	1	D16 D17 D18 D19 D62 D63 D64	柴油 4L68
11	1301104-D17	散热器下水胶管 RADIATOR HOSE,LOWER	1	D16 D17 D18 D37 D38 D39 D66	
	1301012-B02	散热器下水胶管 RADIATOR HOSE,LOWER	1	D19 D21	
12	1301103-D17	散热器上水胶管 RADIATOR HOSE,UPPER	1	D16 D17 D18 D37 D38 D39 D66	
	1301011-B02	散热器上水胶管 RADIATOR HOSE,UPPER	1	D19 D21	
13	1301120-D17	散热器总成 RADIATOR ASSEMBLY (DIESEL ENGINE 4D28, WITH FAN SHROUD)	1	D16 D17 D18 D37 D38 D39 D66	柴油 4D28, 含风扇护风罩
14	1300121-D17	风扇护风罩 FAN SHROUD (DOUBLE CAB, DIESEL ENGINE)	1	D16 D17 D37 D38	双排柴油用
15	1301103-D66	散热器上水胶管 RADIATOR HOSE,UPPER	1	D66	





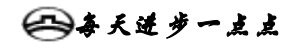
 每天进步一点点

溢水罐总成 EXPANSION TANK ASSEMBLY

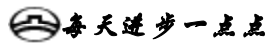
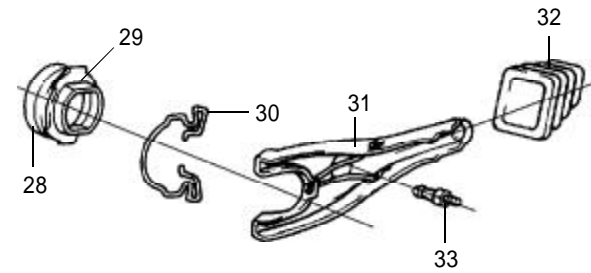
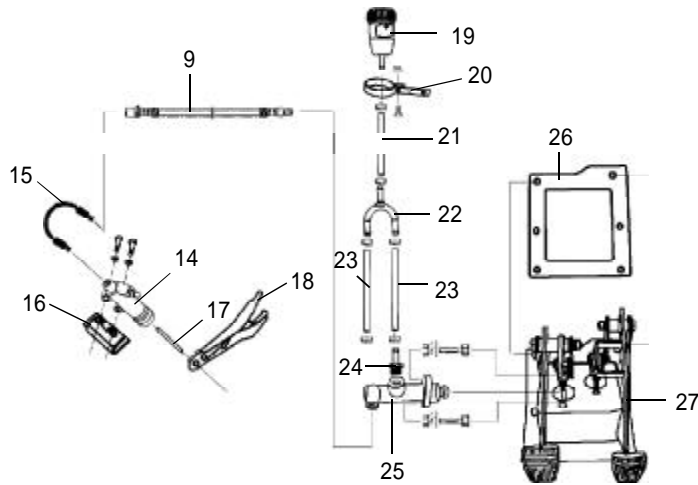
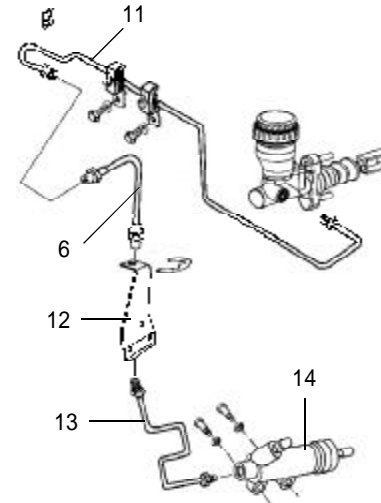
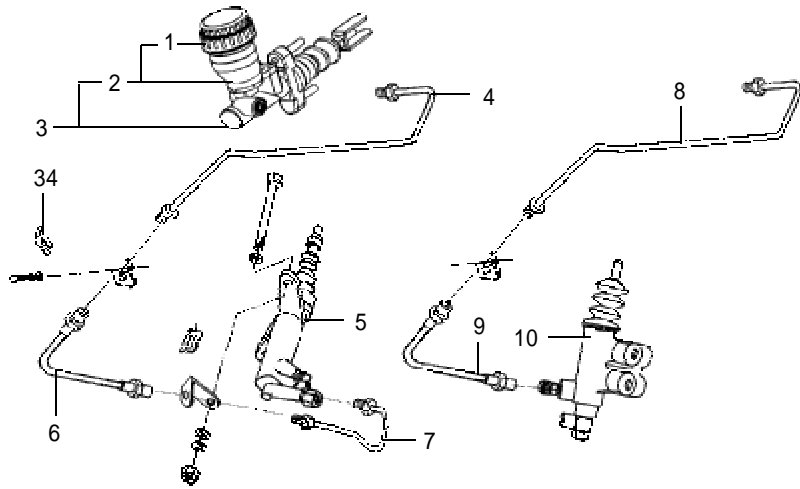


溢水罐总成 EXPANSION TANK ASSEMBLY

序号 S/N	零部件代号 PART CODE	零部件名称 PART NAME	用量 QTY	适用车型 VEHICLE APPLICABLE TO	备注 REMARK
A	1311210-D01	溢水罐总成 EXPANSION TANK ASSEMBLY	1	D01 D02 D03 D04 D06 D07 D08 D16 D17 D18 D19 D21 D22 D23 D24 D48 D49 D50 D65 D66	
	1311210-D62	溢水罐总成 EXPANSION TANK ASSEMBLY		D62 D63 D64	
1	1311211-D01	溢水罐弯管 EXPANSION TANK SYPHON	1	D01 D02 D03 D22 D23 D24 D48 D49	
2	1311201-D01	溢水罐胶管 OVERFLOW HOSE,RADIATOR	1	D50 D65 D66	
	1311013-D06	溢水罐胶管 OVERFLOW HOSE,RADIATOR	1	D04 D06	Φ6×10×410
	1311013-D21	溢水罐胶管 OVERFLOW HOSE,RADIATOR	1	D19 D21	Φ6×12×830



离合器操纵机构 CLUTCH CONTROR MECHANISM



离合器操纵机构 CLUTCH CONTROR MECHANISM

序号	零部件代号	零部件名称	用量	适用车型	备注
S/N	PART CODE	PART NAME	QTY	VEHICLE APPLICABLE TO	REMARK
1	1608102-D01	离合总泵油杯盖 OIL CUP LID,CLUTCH MASTER CYLINDER	1	D01 D02 D03 D04 D06 D22 D23 D24 D50 D65 D66	
2	1608101-D01	离合总泵油杯 OIL CUP,CLUTCH MASTER CYLINDER	1	D04 D06 D43 D44 D45 D46 D47 D48 D49 D50 D65 D66	
3	1608100-D01	离合总泵 CLUTCH MASTER CYLINDER	1	D01 D02 D03 D04 D06 D22 D23 D24 D50 D65 D66	
4	1607101-D17	离合总泵出油管 OUTLET HOSE,CLUTCH MASTER CYLINDER	1	D16 D17 D18 D19 D21 D37 D38 D39	Φ4.75×0.71×426
5	1602080-D17	离合器分泵 CLUTCH RELEASE CYLINDER (DIESEL ENGINE 4D28)	1	D16 D17 D18 D19 D21 D37 D38 D39 D66	柴油 4D28
6	1607103-D01	离合软管 CLUTCH HOSE	1	D01 D02 D03 D04 D06 D19 D21 D22 D23 D24 D43 D44 D45 D46 D47 D48 D49 D50 D65 D66	
7	1607104-D17	离合分泵油管 CLUTCH RELEASE CYLINDER OIL PIPE	1	D16 D17 D18 D19 D21 D37 D38 D39 D66	Φ4.75×0.71×250
8	1607101-D62	离合总泵出油管 OUTLET HOSE,CLUTCH MASTER CYLINDER (ZOMAX)	1	D62 D63 D64	中马
9	1607103-D62	离合软管 CLUTCH HOSE	1		
10	ZM001F-1601020	离合分泵 CLUTCH RELEASE CYLINDER (ZOMAX)	1		中马
11	1607101-D01	离合总泵出油管 OUTLET HOSE,CLUTCH MASTER CYLINDER	1	D01 D02 D03 D04 D06 D022 D23 D24 D43 D44 D45 D46 D47 D48	Φ4.75×1237
12	1607102-D01	离合软管支架 BRACKET,CLUTCH HOSE	1	D49 D50 D65 D66	
	1607102-D17	离合软管支架 BRACKET,CLUTCH HOSE	1	D66	
	1607107-D17	离合油管上支架 UPPER BRACKET, OIL PIPE ,CLUTCH	1	D66	
13	1607104-D01	离合分泵油管 CLUTCH RELEASE CYLINDER OIL PIPE	1	D01 D02 D03 D04 D06 D022 D23 D24 D43 D44 D45 D46 D47 D48 D49 D50 D65 D66	Φ4.75×417



离合器操纵机构 CLUTCH CONTROR MECHANISM

序号 S/N	零部件代号 PART CODE	零部件名称 PART NAME	用量 QTY	适用车型 VEHICLE APPLICABLE TO	备注 REMARK	
14	1602080-E00	离合分泵 CLUTCH RELEASE CYLINDER	1	D01 D02 D03 D19 D21 D07 D08 D43		
15	1607111-D75	副离合油管 OIL PIPE,SECONDARY CLUTCH	1	D71 D73 D75		
16	1609012-D75	副离合分泵支架 BRACKET,SECONDARY CLUTCH RELEASE CYLINDER	1			
17	1609011-D75	副离合分泵顶杆 CROWN ROD,SECONDARY CLUTCH RELEASE CYLINDER	1			
18	1602024-E00-B1	分离拨叉 RELEASE FORK (THE FIVE VICE-LEARNER DRIVEN VEHICLE)	1			五副教练车
19	3504303-D75	副制动油壶 OIL CUP,SECONDARY BRAKE (THE FIVE VICE-LEARNER DRIVEN VEHICLE)	1	D71 D73 D75	五副教练车	
20	3506201-D75	油壶支架 BRACKET,OIL CUP (THE FIVE VICE-LEARNER DRIVEN VEHICLE)	1			
21	3506128-D75	连油壶胶管 HOSE, CONNECTING WITH OIL CUP (THE FIVE VICE-LEARNER DRIVEN VEHICLE)	1			φ8×15×200 五副教练车
22	3506116-D75	副三通 SECONDARY 3-WAY VALVE (THE FIVE VICE-LEARNER DRIVEN VEHICLE)	1			五副教练车
23	3506129-D75	连副离合泵胶管 HOSE,CONNECTING WITH SECONDARY CLUTCH MASTER CYLINDER (THE FIVE VICE-LEARNER DRIVEN VEHICLE)	2			φ8×15×150 五副教练车
24	3506127-D75	油管接头 CONNECTOR,OIL RETURN PIPE (THE FIVE VICE-LEARNER DRIVEN VEHICLE)	2			五副教练车
	1607108-D17	油管接头 CONNECTOR ,OIL RETURN PIPE	1		D66	
25	1608200-D75	副离合总泵 SECONDARY CLUTCH MASTER CYLINDER (THE FIVE VICE-LEARNER DRIVEN VEHICLE)	2	D71 D73 D75	五副教练车	

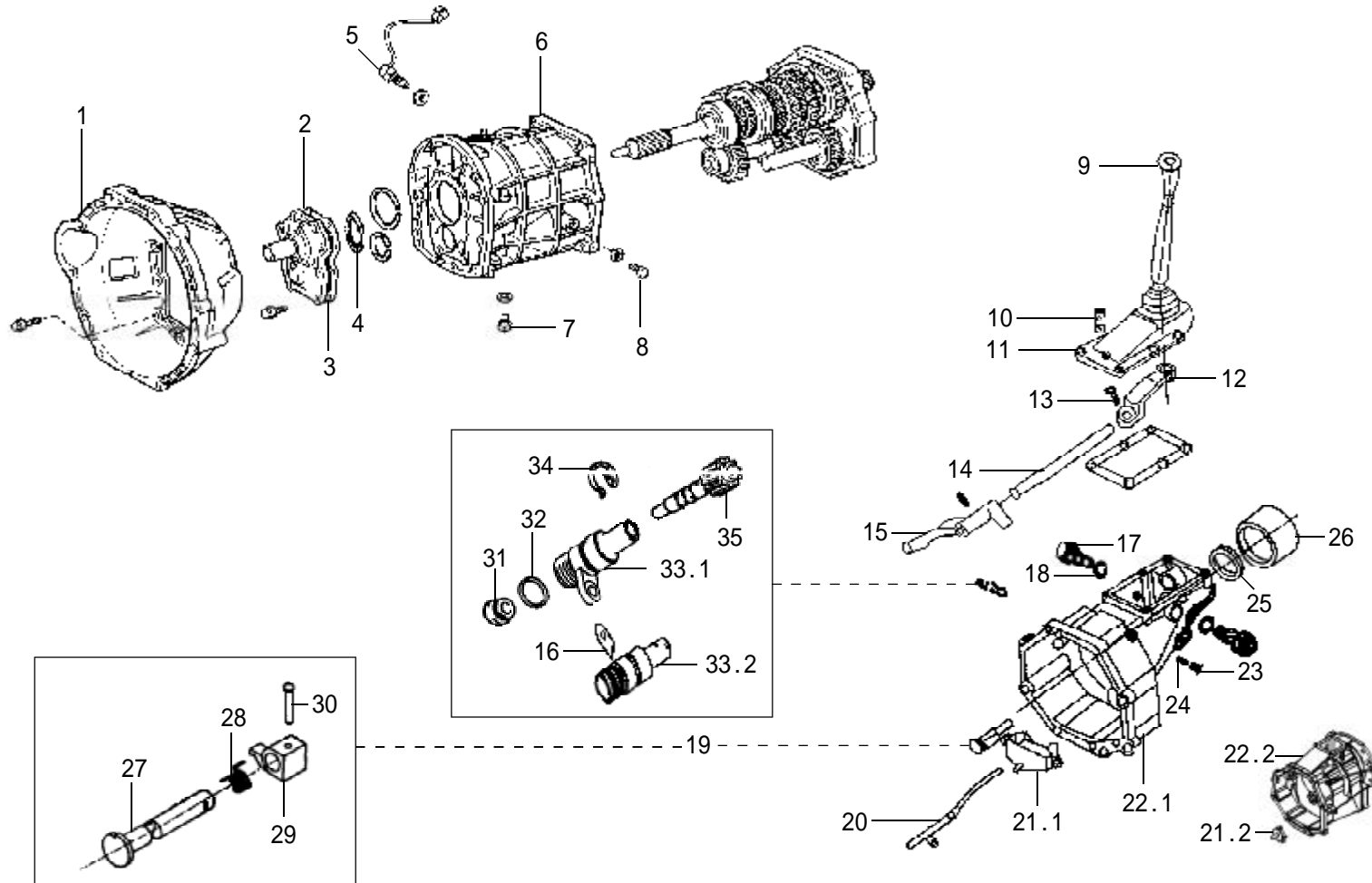
 每天进步一点点

离合器操纵机构 CLUTCH CONTROR MECHANISM

序号 S/N	零部件代号 PART CODE	零部件名称 PART NAME	用量 QTY	适用车型 VEHICLE APPLICABLE TO	备注 REMARK
26	3504011-D75	副制动离合踏板胶垫 INSULATOR,PEDAL,SECONDARY BRAKE & SECONDARY CLUTCH (THE FIVE VICE-LEARNER DRIVEN VEHICLE)	1	D71 D73 D75	五副教练车
27	3504500-D75	副制动与离合踏板总成 SECONDARY BRAKE & SECONDARY CLUTCH ASSEMBLY (THE FIVE VICE-LEARNER DRIVEN VEHICLE)	1		
28	ZM001F-1601308	分离轴承 CLUTCH RELEASE BEARING (ZOMAX)	1	D62 D63 D64	中马
	1602110-E00	分离轴承组件 RELEASE BEARING SET (DIESEL ENGINE 4D28)		D16 D17 D18 D19 D37 D38 D39	4D28 柴油系列
29	1602101-E00	分离套筒 RELEASE SLEEVE	1	D66	
30	1602027-E00	分离拨叉固定卡 RELEASE FORK FASTENING CLAMP	1		
31	ZM001F-1601015	离合器分离拨叉 RELEASE FORK (ZOMAX)	1	D62 D63 D64	中马
	1602024-E00	分离拨叉 RELEASE FORK		D16 D17 D18 D19 D37 D38 D39	
32	1602025-E00	分离拨叉护罩 RELEASE FORK SHEATHING	1	D66	
33	1602026-E00	分离拨叉球头支座 RELEASE FORK BALL-END SUPPORT	1		
34	3506105-D01	弹簧卡片 SPRING CLIP	2	D66	



变速器——唐齿 上齿 中马（一） TRANSMISSION —TAGC SSBAT ZOMAX(1)



每天进步一点点

变速器——唐齿 上齿 中马（一） TRANSMISSION --TAGC SSBAT ZOMAX(1)

序号 S/N	零部件代号 PART CODE	零部件名称 PART NAME	用量 QTY	变速器厂家 TRANSMISSION FACTORY	备注 REMARK
	1701110-D01	变速器总成 TRANSMISSION ASSEMBLY	1		5DYA4-3.2/ JK72F1
	1701110-D01-B1	变速器总成 TRANSMISSION ASSEMBLY			ZM001F-3.2-7
	1701110-D17	变速器总成 TRANSMISSION ASSEMBLY			5DYL2-2.2/ JK72D1
	1701110-D62	变速器总成 TRANSMISSION ASSEMBLY			ZM001F-3.2-7
	1701110-D70	变速器总成 TRANSMISSION ASSEMBLY (LOW-SPEED TRAINING CAR)			ZM001F-5.6-7H 低速教练
	1701110-F00	变速器总成 TRANSMISSION ASSEMBLY			5DYA4-3.1/ JK72F9
	1701110-F01	变速器总成 TRANSMISSION ASSEMBLY			5DYM8
1	1601511	离合器壳体 CLUTCH HOUSING	1	唐齿 中马 TAGC ZOMAX	
	1601511-SB	离合器壳体 (5DYL2-2.2) CLUTCH HOUSING (SET WITH 4D28 DIESEL ENGINE)		唐齿 TAGC	配 4D28 柴油机
	1601511S	离合器壳体 CLUTCH HOUSING (SET WITH 4L68 DIESEL ENGINE)		上齿 SSBAT	
	1601011Z	离合器壳体 CLUTCH HOUSING (SET WITH 4L68 DIESEL ENGINE)		中马 ZOMAX	配 4L68 柴油机
2	1701541	前盖 HOOD	1	唐齿 中马 TAGC ZOMAX	
	1701541-SB	前盖 (5DYL2-2.2) HOOD (SET WITH 4D28 DIESEL ENGINE)		唐齿 TAGC	配 4D28 柴油机
	1701530-SY	前盖组件 HOOD ASSEMBLY (ELECTRICALLY-CONTROLLED 4WD)		唐齿 TAGC	电控四驱
	1701020-1Z	前盖组件 HOOD ASSEMBLY (SET WITH 4L68 DIESEL ENGINE)		中马 ZOMAX	配 4L68 柴油机
	1701541S	前盖 HOOD		上齿 SSBAT	
2	1701541SD	前盖 HOOD (SET WITH 4D28 DIESEL ENGINE)	1	上齿 SSBAT	配 4D28 柴油机
3	1701542	前盖衬垫 HOOD GASKET	1	唐齿 中马 TAGC ZOMAX	
	1701542S	前盖衬垫 HOOD GASKET		上齿 SSBAT	
4	1701543	前盖油封总成 HOOD OIL SEAL ASSEMBLY	1	唐齿中马 TAGC ZOMAX	



变速器——唐齿 上齿 中马（一） TRANSMISSION-- TAGC SSBAT ZOMAX(1)

序号 S/N	零部件代号 PART CODE	零部件名称 PART NAME	用量 QTY	变速器厂家 TRANSMISSION FACTORY	备注 REMARK
4	1701543S	前盖油封总成 HOOD OIL SEAL ASSEMBLY	4	上齿 SSBAT	
5	3729020	倒档开关总成 REVERSE SWITCH ASSEMBLY	1	唐齿 TAGC	
	3729020-SY	倒 档 开 关 总 成 REVERSE SWITCH ASSEMBLY (ELECTRICALLY-CONTROLLED 4WD)		唐齿 TAGC	电控四驱
	3729020S	倒档开关总成 REVERSE SWITCH ASSEMBLY		上齿 SSBAT	
	3729020Z	倒档开关总成 REVERSE SWITCH ASSEMBLY (SET WITH 4L68 DIESEL ENGINE)		中马 ZOMAX	配 4L68 柴油机
6	1701011	壳体 CASE	1	唐齿 中马 TAGC ZOMAX	
	1701011S	壳体 CASE		上齿 SSBAT	
	1701011SD	壳体 CASE (SET WITH 4D28 DIESEL ENGINE)		上齿 SSBAT	配 4D28 柴油机
7	1701545	六角头磁性螺塞 HEXAGON HEADED MAGNETIC PLUG (OIL DRAIN PLUG)	1	唐齿 中马 TAGC ZOMAX	放油塞
	1701545S	六角头磁性螺塞 HEXAGON HEADED MAGNETIC PLUG (OIL DRAIN PLUG)		上齿 SSBAT	放油塞
8	1701538	六角头螺塞 HEXAGON HEADED PLUG (OIL FILLER PLUG)	1	唐齿 中马 TAGC ZOMAX	加油塞
	1701538S	六角头螺塞 HEXAGON HEADED PLUG (OIL FILLER PLUG)		上齿 SSBAT	加油塞
9	1702532	换挡手球 SHIFT GEAR HANDBALL	1	唐齿 TAGC	
	1702532S	换挡手球 SHIFT GEAR HANDBALL		上齿 SSBAT	
10	1701546	通气塞 BREATHER PLUG	1	唐齿 中马 TAGC ZOMAX	
	1701546-SY	通气塞 BREATHER PLUG (ELECTRICALLY-CONTROLLED 4WD)		唐齿 TAGC	电控四驱
10	1701546S	通气塞 BREATHER PLUG	1	上齿 SSBAT	
11	1702509	操纵盖组件 MANIPULATION LID ASSEMBLY (WITH RUBBER GASKET)	1	唐齿 TAGC	含橡胶垫
	1702512	操纵盖 MANIPULATION LID		唐齿 TAGC	
	1702512-SY	操纵盖 MANIPULATION LID (ELECTRICALLY-CONTROLLED 4WD)		唐齿 TAGC	电控四驱



变速器——唐齿 上齿 中马（一） TRANSMISSION --TAGC SSBAT ZOMAX(1)

序号 S/N	零部件代号 PART CODE	零部件名称 PART NAME	用量 QTY	变速器厂家 TRANSMISSION FACTORY	备注 REMARK
11	1702512S	操纵盖 MANIPULATION LID	1	上齿 SSBAT	
	1B-1702010S	操纵盖组件 MANIPULATION LID ASSEMBLY		中马 ZOMAX	
12	1703522	换挡拨块 SHIFT FORK	1	唐齿 中马 TAGC ZOMAX	
	1703522-SY	换挡拨块 SHIFT FORK (ELECTRICALLY-CONTROLLED 4WD)		唐齿 TAGC	电控四驱
	1703522S	换挡拨块 SHIFT FORK		上齿 SSBAT	
13	1703549	换挡拨块定位螺栓 SHIFT FORK LOCATING BOLT	1	唐齿 中马 TAGC ZOMAX	
	1703549S	换挡拨块定位螺栓 SHIFT FORK LOCATING BOLT		上齿 SSBAT	
	1703549-SY	换挡拨块定位螺栓 SHIFT FORK LOCATING BOLT (ELECTRICALLY-CONTROLLED 4WD)		唐齿 TAGC	电控四驱
14	1703541	换挡轴 SHIFTING SHAFT	1	唐齿 中马 TAGC ZOMAX	
	1703541-SY	换挡轴 SHIFTING SHAFT (ELECTRICALLY-CONTROLLED 4WD)		唐齿 TAGC	电控四驱
	1703541S	换挡轴 SHIFTING SHAFT		上齿 SSBAT	
15	1703521	换挡拨杆 SHIFTING FORK	1	唐齿 中马 TAGC ZOMAX	
	1703521S	换挡拨杆 SHIFTING FORK		上齿 SSBAT	
16	3802512S	从动轮架锁板 DRIVEN WHEEL CARRIER LOCKING PLATE	1	上齿 SSBAT	
17	1701540-SY	定位机构组件 LOCATE ASSEMBLY (ELECTRICALLY-CONTROLLED 4WD)	2	唐齿 TAGC	电控四驱
	1703545S	操纵系统定位销总成 CONTROL SYSTEM LOCATING PIN ASSEMBLY		上齿 SSBAT	
18	1701517	密封垫圈 SEAL GASKET	2	唐齿 中马 TAGC ZOMAX	
	1701517S	密封垫圈 SEAL GASKET		上齿 SSBAT	
19	1701577	限位机构 SPACING	1	唐齿 中马 TAGC ZOMAX	
20	1701515	导油槽 OIL DRAIN	1	唐齿 中马 TAGC ZOMAX	
	1701515S	导油槽 OIL DRAIN		上齿 SSBAT	



变速器——唐齿 上齿 中马（一） TRANSMISSION --TAGC SSBAT ZOMAX(1)

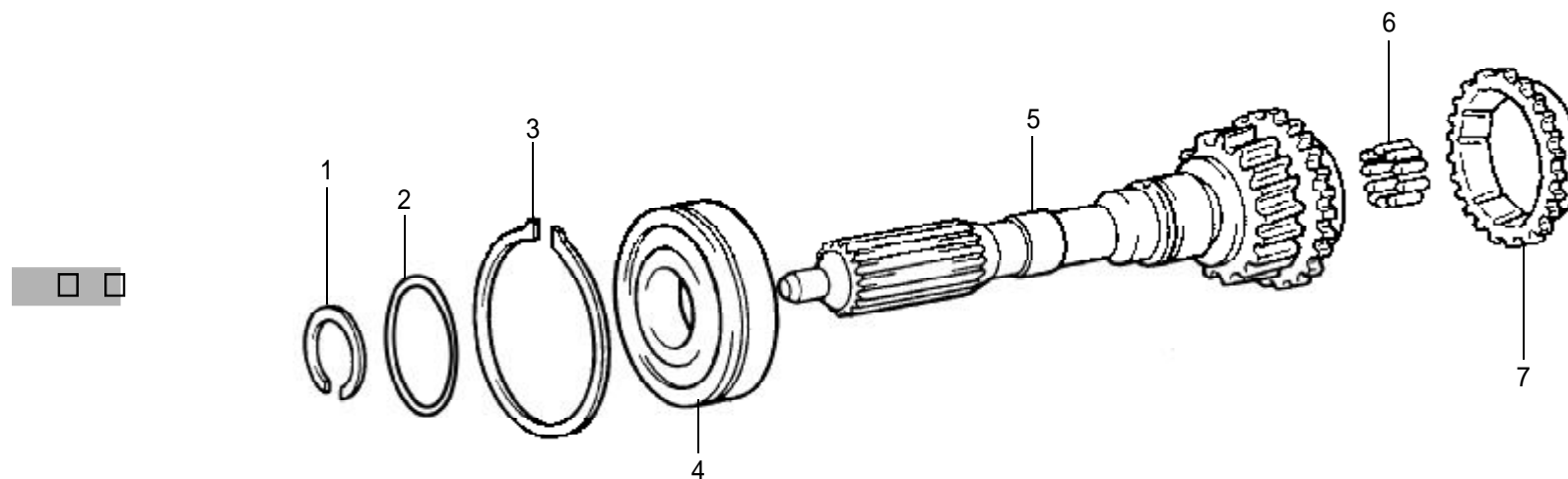
序号	零部件代号	零部件名称	用量	变速器厂家	备注
S/N	PART CODE	PART NAME	QTY	TRANSMISSION FACTORY	REMARK
21.1	1702511	贮油盒 OIL BOX	1	唐齿 中马 TAGC ZOMAX	
	1702511S	贮油盒 OIL BOX		上齿 SSBAT	
21.2	1701516-SY	导油嘴 OIL NOZZLE(ELECTRICALLY-CONTROLLED 4WD)	1	唐齿 TAGC	电控四驱
22.1	1701012	后壳体 REAR CASE	1	唐齿 中马 TAGC ZOMAX	
	1701012S	后壳体 REAR CASE		上齿 SSBAT	
22.2	1701012-SY	后体组件 REAR BODY ASSEMBLY(ELECTRICALLY-CONTROLLED 4WD)	1	唐齿 TAGC	电控四驱
23	1703537	定位弹簧螺堵 LOCATING SPRING PLUG	1	唐齿 中马 TAGC ZOMAX	
	1703537-SY	定位弹簧螺堵 LOCATING SPRING PLUG (ELECTRICALLY-CONTROLLED 4WD)		唐齿 TAGC	电控四驱
	1703537S	定位弹簧螺堵 LOCATING SPRING PLUG		上齿 SSBAT	
24	1703547	定位弹簧 LOCATING SPRING	1	唐齿 中马 TAGC ZOMAX	
	1703547-SY	定位弹簧 LOCATING SPRING (ELECTRICALLY-CONTROLLED 4WD)		唐齿 TAGC	电控四驱
25	1701535-SY	后体油封总成 REAR BODY OIL SEAL ASSEMBL (ELECTRICALLY-CONTROLLED 4WD)	1	唐齿 TAGC	电控四驱
	1701510S	后体油封总成 REAR BODY OIL SEAL ASSEMBLY		上齿 SSBAT	
26	1701534	后体防尘罩 REAR BODY DUST SHIELD (ELECTRICALLY-CONTROLLED 4WD)	1	唐齿 TAGC	电控四驱
26	1701534S	后体防尘罩 REAR BODY DUST SHIELD	1	上齿 SSBAT	
27	1701580	限位轴 SPACING SHAFT	1	唐齿 中马 TAGC ZOMAX	
	1701580S	限位轴 SPACING SHAFT		上齿 SSBAT	
28	1701576	限位弹簧 SPACING SPRING	1	唐齿中马 TAGC ZOMAX	
	1701576S	限位弹簧 SPACING SPRING		上齿 SSBAT	
29	1701578	限位块 SPACING BLOCK	1	唐齿中马 TAGC ZOMAX	

变速器——唐齿 上齿 中马（一） TRANSMISSION --TAGC SSBAT ZOMAX(1)

序号 S/N	零部件代号 PART CODE	零部件名称 PART NAME	用量 QTY	变速器厂家 TRANSMISSION FACTORY	备注 REMARK
29	1701578S	限位块 SPACING BLOCK	1	上齿 SSBAT	
30	1701579	限位销 SPACING PIN	1	唐齿 中马 TAGC ZOMAX	
31	3802511	S型油封 S TYPE OIL SEAL	1	唐齿 中马 TAGC ZOMAX	
	3802511S	S型油封 S TYPE OIL SEAL		上齿 SSBAT	
32	1701511	O形圈 O-RING	1	唐齿 中马 TAGC ZOMAX	
	1701511S	O形圈 O-RING		上齿 SSBAT	
33.1	3802515	里程表从动轮架 ODOMETER DRIVEN WHEEL CARRIER	1	唐齿 中马 TAGC ZOMAX	
33.2	3802515S	里程表从动轮架 ODOMETER DRIVEN WHEEL CARRIER	1	上齿 SSBAT	
34	3802513	从动轮卡簧 DRIVEN WHEEL CIRCLIP	1	唐齿 中马 TAGC ZOMAX	
	3802513S	从动轮卡簧 DRIVEN WHEEL CIRCLIP		上齿 SSBAT	
35	3802514	里程表从动齿轮 ODOMETER DRIVEN GEAR (18TOOTH)	1	唐齿 中马 TAGC ZOMAX	18 齿
	3802514S	里程表从动齿轮 ODOMETER DRIVEN GEAR		上齿 SSBAT	



变速器——唐齿 上齿 中马（二） TRANSMISSION —TAGC SSBAT ZOMAX(2)

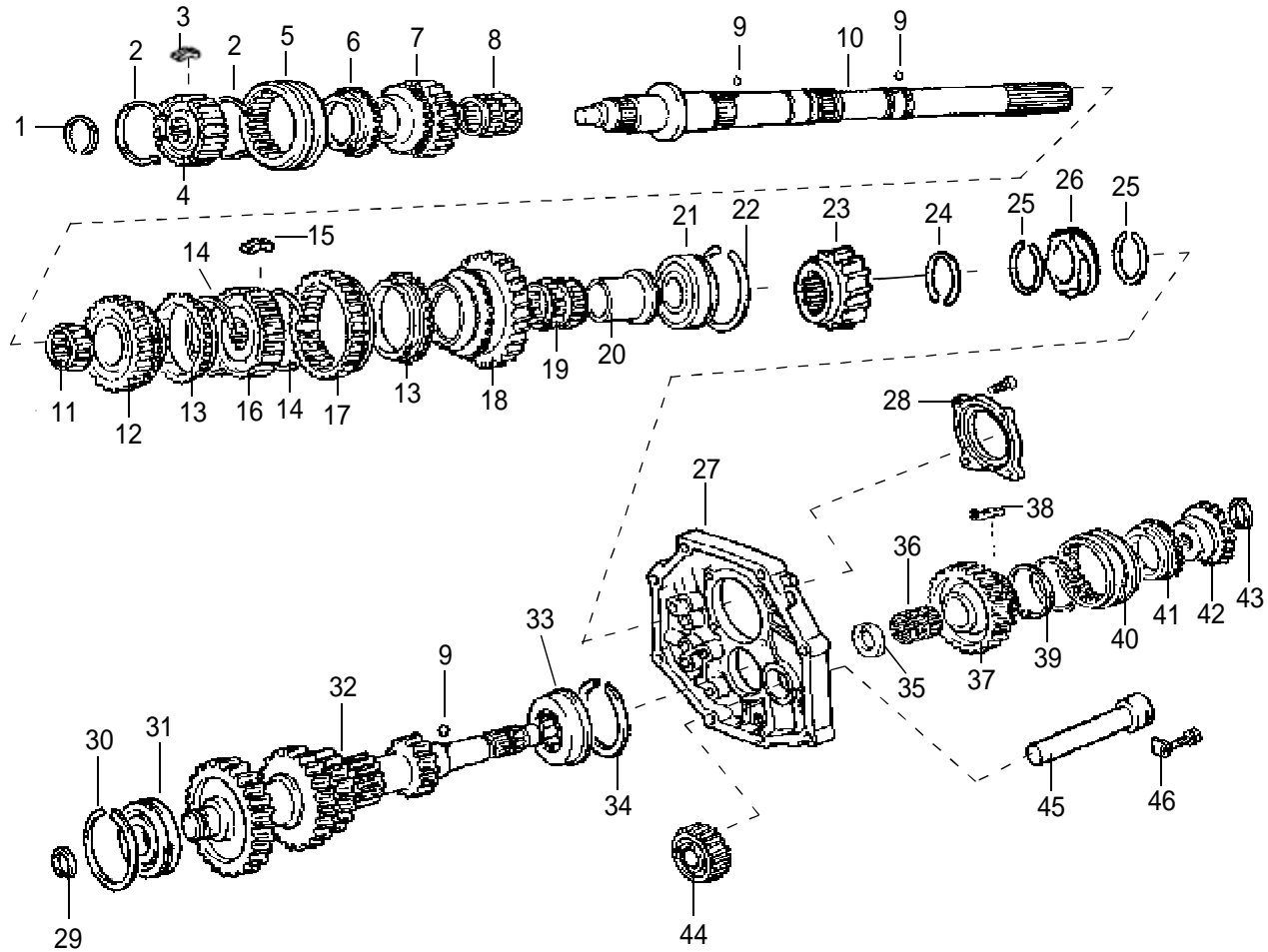


变速器——唐齿 上齿 中马（二） TRANSMISSION --TAGC SSBAT ZOMAX(2)

序号 S/N	零部件代号 PART CODE	零部件名称 PART NAME	用量 QTY	变速器厂家 TRANSMISSION FACTORY	备注 REMARK
1	1701565	输入轴挡圈 INPUT SHAFT RETAINER	1	唐齿 中马 TAGC ZOMAX	
	1701565S	输入轴挡圈 INPUT SHAFT RETAINER		上齿 SSBAT	
2	1701117S	输入轴后轴承调整垫圈 INPUT SHAFT' S BACK BEARING ADJUSTING WASHER	1	上齿 SSBAT	
3	1701567	输入轴止动环 INPUT SHAFT STOPRING	1	唐齿 中马 TAGC ZOMAX	
4	1701568	输入轴轴承 INPUT BEARING	1	唐齿 中马 TAGC ZOMAX	
	1701568S	输入轴轴承 INPUT BEARING		上齿 SSBAT	
5	1701569	输入轴组件 INPUT SHAFT ASSEMBLY	1	唐齿 TAGC	
	1701569-SY	输入轴组件 INPUT SHAFT ASSEMBLY (ELECTRICALLY-CONTROLLED 4WD)		唐齿 TAGC	电控四驱
	1701569S	输入轴组件 INPUT SHAFT ASSEMBLY (32 TOOTH)		上齿 SSBAT	32 齿
	1701569SA1	输入轴组件 INPUT SHAFT ASSEMBLY(28 TOOTH)		上齿 SSBAT	28 齿
	1701569SD	输入轴组件 (JK72D1) INPUT SHAFT ASSEMBLY (SET WITH DIESEL MOTOR)		上齿 SSBAT	配柴油发动机
	1701110-1Z	输入轴组件 INPUT SHAFT ASSEMBLY (SET WITH 4L68 DIESEL ENGINE)		中马 ZOMAX	配 4L68 柴油机
	1701111-5	输入轴组件 INPUT SHAFT ASSEMBLY (FOR SPECIAL LEARNER-DRIVEN VEHICLE ONLY)		中马 ZOMAX	教练车专用
6	1701566	输入轴滚针 INPUT SHAFT ASSEMBLY	1	唐齿 中马 TAGC ZOMAX	
	1701566S	输入轴滚针 INPUT SHAFT ASSEMBLY		上齿 SSBAT	
7	1701557	三四五档同步器齿环 3RD 4TH 5TH SYNCHRONIZER RING	1	唐齿 中马 TAGC ZOMAX	
	1701557S	三四五档同步器齿环 3RD 4TH 5TH SYNCHRONIZER RING		上齿 SSBAT	



变速器——唐齿 上齿 中马（三） TRANSMISSION —TAGC SSBAT ZOMAX(3)



每天进步一点点

变速器——唐齿 上齿 中马（三） TRANSMISSION --TAGC SSBAT ZOMAX(3)

序号 S/N	零部件代号 PART CODE	零部件名称 PART NAME	用量 QTY	变速器厂家 TRANSMISSION FACTORY	备注 REMARK
1	1701553	三四档齿毂轴用挡圈 3RD 4TH HUB SHAFT RETAINER	1	唐齿 中马 TAGC ZOMAX	
	1701553S	三四档齿毂轴用挡圈 3RD 4TH HUB SHAFT RETAINER		上齿 SSBAT	
2	1701558	三四五档同步器涨圈 3RD 4TH 5TH SYNCHRONIZER PISTON RING	2	唐齿 中马 TAGC ZOMAX	
	1701558S	三四五档同步器涨圈 3RD 4TH 5TH SYNCHRONIZER PISTON RING		上齿 SSBAT	
3	1701556	三四档同步器滑块 3RD 4TH SYNCHRONIZER GLIDING BLOCK	3	唐齿 中马 TAGC ZOMAX	
	1701556S	三四档同步器滑块 3RD 4TH SYNCHRONIZER GLIDING BLOCK		上齿 SSBAT	
4	1701554	三四档同步器齿毂 3RD 4TH SYNCHRONIZER HUB	1	唐齿 中马 TAGC ZOMAX	
	1701554S	三四五档同步器齿毂 3RD 4TH 5TH SYNCHRONIZER HUB		上齿 SSBAT	
5	1701555	三四档同步器齿套 3RD 4TH SYNCHRONIZER TOOTH CASE	1	唐齿 中马 TAGC ZOMAX	
	1701555S	三四五档同步器齿套 3RD 4TH 5TH SYNCHRONIZER TOOTH CASE		上齿 SSBAT	
6	1701557	三四五档同步器齿环 3RD 4TH 5TH SYNCHRONIZER RING	2	唐齿 中马 TAGC ZOMAX	
	1701557S	三四五档同步器齿环 3RD 4TH 5TH SYNCHRONIZER RING		上齿 SSBAT	
7	1701552	三档齿轮组件 3RD GEAR ASSEMBLY	1	唐齿 TAGC	
	1701552-SY	三档齿轮组件 3RD GEAR ASSEMBLY (ELECTRICALLY-CONTROLLED 4WD)		唐齿 TAGC	电控四驱
	1701552S	三档齿轮组件 3RD GEAR ASSEMBLY (30 TOOTH)		上齿 SSBAT	30 齿
	1701552SD	三档齿轮组件 3RD GEAR ASSEMBLY (27 TOOTH)		上齿 SSBAT	27 齿
	170141-4	三档齿轮 3RD GEAR (FOR SPECIAL LEARNER-DRIVEN VEHICLE ONLY)		中马 ZOMAX	教练车专用
8	1701551	三档齿轮滚针轴承 3RD GEAR NEEDLE BEARING	1	唐齿 中马 TAGC ZOMAX	
	1701551S	三档齿轮滚针轴承 3RD GEAR NEEDLE BEARING		上齿 SSBAT	
9	1703558	钢球 STEEL BALL(SMALL)	2	唐齿 中马 TAGC ZOMAX	小
	1703558-SY	6.35 钢球 STEEL BALL (ELECTRICALLY-CONTROLLED 4WD)		唐齿 TAGC	电控四驱
	1703558S	钢球 STEEL BALL (SMALL)		上齿 SSBAT	小



变速器——唐齿 上齿 中马（三） TRANSMISSION --TAGC SSBAT ZOMAX(3)

序号 S/N	零部件代号 PART CODE	零部件名称 PART NAME	用量 QTY	适用车型 TRANSMISSION FACTORY	备注 REMARK
10	1701561	输出轴 OUTPUT SHAFT	1	唐齿 中马 TAGC ZOMAX	
	1701561-SY	输出轴 OUTPUT SHAFT (ELECTRICALLY-CONTROLLED 4WD)		唐齿 TAGC	电控四驱
	1701561S	输出轴 OUTPUT SHAFT		上齿 SSBAT	
11	1701531	二档齿轮滚针轴承 2ND GEAR NEEDLE BEARING	1	唐齿 中马 TAGC ZOMAX	
	1701531S	二档齿轮滚针轴承 2ND GEAR NEEDLE BEARING		上齿 SSBAT	
12	1701532	二档齿轮组件 2ND GEAR ASSEMBLY	1	唐齿 TAGC	
	1701532-SY	二档齿轮组件 2ND GEAR ASSEMBLY (ELECTRICALLY-CONTROLLED 4WD)		唐齿 TAGC	电控四驱
	1701532S	二档齿轮组件 2ND GEAR ASSEMBLY (30 TOOTH)		上齿 SSBAT	30 齿
	1701532SD	二档齿轮组件 2ND GEAR ASSEMBLY (29 TOOTH)		上齿 SSBAT	29 齿
	171231-4	二档齿轮 2ND GEAR (FOR SPECIAL LEARNER-DRIVEN VEHICLE ONLY)		中马 ZOMAX	教练车专用
13	1701585	一二档同步器齿环 1ST 2ND SYNCHRONIZER RING	2	唐齿 中马 TAGC ZOMAX	
	1701585S	一二档同步器齿环 1ST 2ND SYNCHRONIZER RING		上齿 SSBAT	
14	1701588	一二档同步器涨圈 1ST 2ND SYNCHRONIZER PISTON RING	2	唐齿 中马 TAGC ZOMAX	
	1701588S	一二档同步器涨圈 1ST 2ND SYNCHRONIZER PISTON RING		上齿 SSBAT	
15	1701587	一二档同步器滑块 1ST 2ND SYNCHRONIZER GLIDING BLOCK	3	唐齿 中马 TAGC ZOMAX	
	1701587S	一二档同步器滑块 1ST 2ND SYNCHRONIZER GLIDING BLOCK		上齿 SSBAT	
16	1701584	一二档同步器齿毂 1ST 2ND SYNCHRONIZER HUB	1	唐齿 中马 TAGC ZOMAX	
	1701584S	一二档同步器齿毂 1ST 2ND SYNCHRONIZER HUB		上齿 SSBAT	
17	1701586	一二档同步器齿套 1ST 2ND SYNCHRONIZER TOOTH CASE	1	唐齿 中马 TAGC ZOMAX	
	1701586S	一二档同步器齿套 1ST 2ND SYNCHRONIZER TOOTH CASE		上齿 SSBAT	
18	1701582	一档齿轮组件 1ST GEARING ASSEMBLY	1	唐齿 中马 TAGC ZOMAX	
	1701582-SB	一档齿轮组件 1ST GEARING ASSEMBLY (SET WITH 4D28 DIESEL ENGINE)		唐齿 TAGC	配 4D28 柴油机



变速器——唐齿 上齿 中马（三） TRANSMISSION --TAGC SSBAT ZOMAX(3)

序号 S/N	零部件代号 PART CODE	零部件名称 PART NAME	用量 QTY	适用车型 TRANSMISSION FACTORY	备注 REMARK
18	1701582-SY	一档齿轮组件 1ST GEARING ASSEMBLY (ELECTRICALLY-CONTROLLED 4WD)	1	唐齿 TAGC	电控四驱
	1701582S	一档齿轮组件 1ST GEARING ASSEMBLY		上齿 SSBAT	
19	1701583	一档齿轮滚针轴承 1ST GEAR NEEDLE BEARING	2	唐齿 中马 TAGC ZOMAX	
	1701583S	一档齿轮滚针轴承 1ST GEAR NEEDLE BEARING		上齿 SSBAT	
20	1701581	一档齿轮轴套 RASE,1ST GEAR BEARING	1	唐齿 中马 TAGC ZOMAX	
	1701581S	一档齿轮轴套 RASE,1ST GEAR BEARING		上齿 SSBAT	
21	1701562	输出轴后轴承 OUTPUT SHAFT REAR BEARING	1	唐齿 中马 TAGC ZOMAX	
	1701562S	输出轴后轴承 OUTPUT SHAFT REAR BEARING		上齿 SSBAT	
22	1701564	输出轴后轴承止动环 OUTPUT SHAFT REAR BEARING STOP RING	1	唐齿 中马 TAGC ZOMAX	
23	1701571	五档齿轮 5TH GEAR	1	唐齿 中马 TAGC ZOMAX	
	1701571S	五档齿轮 5TH GEAR (28 TOOTH)		上齿 SSBAT	28 齿
	1701572SD	五档齿轮 5TH GEAR 5TH GEAR RETAINER (24 TOOTH)		上齿 SSBAT	24 齿
24	1701611	五档齿轮轴用挡圈 5TH GEAR RETAINER	1	唐齿 中马 TAGC ZOMAX	
	1701611S	五档齿轮轴用挡圈 ODOMETER DRIVE WHEEL RETAINER		上齿 SSBAT	
25	3802517	里程表主动轮挡圈 ODOMETER DRIVE WHEEL RETAINER	2	唐齿 中马 TAGC ZOMAX	
	3802517S	里程表主动轮挡圈 ODOMETER DRIVE WHEEL RETAINER		上齿 SSBAT	
26	3802516	里程表主动齿轮 ODOMETER DRIVE GEAR	1	唐齿 中马 TAGC ZOMAX	
	3802516S	里程表主动齿轮 ODOMETER DRIVE GEAR		上齿 SSBAT	
27	1701156	中联板 CENTER COUPLING	1	唐齿 中马 TAGC ZOMAX	
	1701156S	中联板 CENTER COUPLING		上齿 SSBAT	
28	1701563	输出轴后轴承挡板 OUTPUT SHAFT BACK BEARING BARRIER	1	唐齿 中马 TAGC ZOMAX	



变速器——唐齿 上齿 中马（三） TRANSMISSION --TAGC SSBAT ZOMAX(3)

序号 S/N	零部件代号 PART CODE	零部件名称 PART NAME	用量 QTY	适用车型 TRANSMISSION FACTORY	备注 REMARK
28	1701563S	输出轴后轴承挡板 OUTPUT SHAFT BACK BEARING BARRIER	1	上齿 SSBAT	
29	1701596	中间轴前轴用挡圈 CENTER SHAFT FRONT BEARING RETAINER	1	唐齿 中马 TAGC ZOMAX	
	1701596S	中间轴前轴用挡圈 CENTER SHAFT FRONT BEARING RETAINER		上齿 SSBAT	
30	1701597	中间轴前轴承止动环 CENTER SHAFT FRONT BEARING STOP RING	1	唐齿 中马 TAGC ZOMAX	
31	1701595	中间轴前轴承 CENTER SHAFT FRONT BEARING	1	唐齿 中马 TAGC ZOMAX	
	1701595S	中间轴前轴承 CENTER SHAFT FRONT BEARING		上齿 SSBAT	
32	1701594	中间轴联齿 CENTER SHAFT COUPLING GEAR	1	唐齿 TAGC	
	1701594-SB	中间轴联齿 CENTER SHAFT COUPLING GEAR (SET WITH 4D28 DIESEL ENGINE)		唐齿 TAGC	配 4D28 柴油机
	1701594-SY	中间轴联齿 CENTER SHAFT COUPLING GEAR (ELECTRICALLY-CONTROLLED 4WD)		唐齿 TAGC	电控四驱
	1701594S	中间轴联齿 CENTER SHAFT COUPLING GEAR (CONSTANT MESH 40 TOOTH)		上齿 SSBAT	常啮合 40 齿
	1701594SD	中间轴联齿 CENTER SHAFT COUPLING GEAR (CONSTANT MESH 44 TOOTH)		上齿 SSBAT	常啮合 44 齿
	1701301-5	中间轴联齿 CENTER SHAFT COUPLING GEAR (FOR SPECIAL LEARNER-DRIVEN VEHICLE ONLY)		中马 ZOMAX	教练车专用
	1701301-3Z	中间轴联齿 CENTER SHAFT COUPLING GEAR (SET WITH 4L68 DIESEL ENGINE)		中马 ZOMAX	配 4L68 柴油机
33	1701591	中间轴后轴承 CENTER SHAFT BACK BEARING	1	唐齿 中马 TAGC ZOMAX	
	1701591S	中间轴后轴承 CENTER SHAFT BACK BEARING		上齿 SSBAT	
34	1701592	中间轴后轴承止动环 CENTER SHAFT BACK BEARING STOP RING	1	唐齿 中马 TAGC ZOMAX	
35	1701612	五档齿轮止推垫圈 5TH GEAR THRUST WASHER	1	唐齿 中马 TAGC ZOMAX	
	1701612S	五档齿轮止推垫圈 5TH GEAR THRUST WASHER		上齿 SSBAT	
36	1701599	中五档滚针轴承 CENTER 5TH NEEDLE BEARING	1	唐齿 中马 TAGC ZOMAX	

 每天进步一点点

变速器——唐齿 上齿 中马（三） TRANSMISSION-- TAGC SSBAT ZOMAX(3)

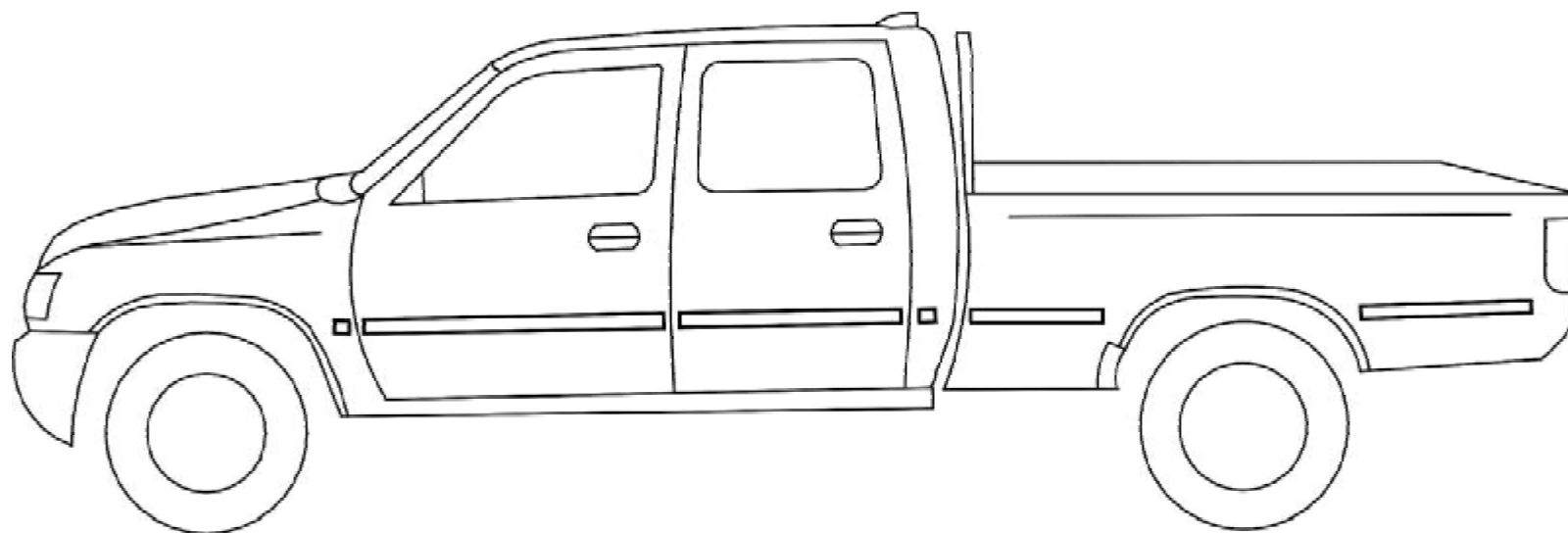
序号 S/N	零部件代号 PART CODE	零部件名称 PART NAME	用量 QTY	变速器厂家 TRANSMISSION FACTORY	备注 REMARK
36	1701599S	中五档滚针轴承 CENTER 5TH NEEDLE BEARING	1	上齿 SSBAT	
37	1701598	中五档齿轮合件 5TH GEAR ASSEMBLY	1	唐齿 中马 TAGC ZOMAX	
	1701598-SB	中五档齿轮合件 5TH GEAR ASSEMBLY (SET WITH 4D28 DIESEL ENGINE)		唐齿 TAGC	配 4D28 柴油机
	1701598-SY	中五档齿轮合件 5TH GEAR ASSEMBLY (ELECTRICALLY-CONTROLLED 4WD)		唐齿 TAGC	电控四驱
37	1701598S	中五档齿轮合件 5TH GEAR ASSEMBLY (43 TOOTH)	1	上齿 SSBAT	43 齿
	1701598SD	中五档齿轮合件 5TH GEAR ASSEMBLY (47 TOOTH)		上齿 SSBAT	47 齿
38	1701574	五档同步器滑块 5TH SYNCHRONIZER GLIDING BLOCK	3	唐齿 中马 TAGC ZOMAX	
	1701574S	五档同步器滑块 5TH SYNCHRONIZER GLIDING BLOCK		上齿 SSBAT	
39	1701558	三四五档同步器涨圈 3RD 4TH 5TH SYNCHRONIZER PISTON RING	2	唐齿 中马 TAGC ZOMAX	
	1701558S	三四五档同步器涨圈 3RD 4TH 5TH SYNCHRONIZER PISTON RING		上齿 SSBAT	
40	1701573	五档同步器齿套 5TH SYNCHRONIZER TOOTH CASE	1	唐齿 中马 TAGC ZOMAX	
	1701555S	三四五档同步器齿套 5TH SYNCHRONIZER TOOTH CASE 3RD 4TH 5TH SYNCHRONIZER TOOTH CASE		上齿 SSBAT	
41	1701557	三四五档同步器齿环 3RD 4TH 5TH SYNCHRONIZER RING	1	唐齿 中马 TAGC ZOMAX	
	1701557S	三四五档同步器齿环 3RD 4TH 5TH SYNCHRONIZER RING		上齿 SSBAT	
42	1701572	五档联接齿轮 5TH CONNECTING GEAR	1	唐齿 中马 TAGC ZOMAX	
	1701572S	五档联接齿轮 5TH CONNECTING GEAR		上齿 SSBAT	
43	1701614	中间轴后轴用挡圈 CENTER SHAFT REAR BEARING RETAINER	1	唐齿 中马 TAGC ZOMAX	
	1701614S	中间轴后轴用挡圈 CENTER SHAFT REAR BEARING RETAINER		上齿 SSBAT	
44	1701523	倒档惰轮组件 REVERSE IDLE GEAR ASSEMBLY	1	唐齿 中马 TAGC ZOMAX	
	1701523S	倒档惰轮组件 REVERSE IDLE GEAR ASSEMBLY		上齿 SSBAT	
45	1701521	倒档惰轮轴 REVERSE IDLE GEAR SHAFT	1	唐齿 中马 TAGC ZOMAX	



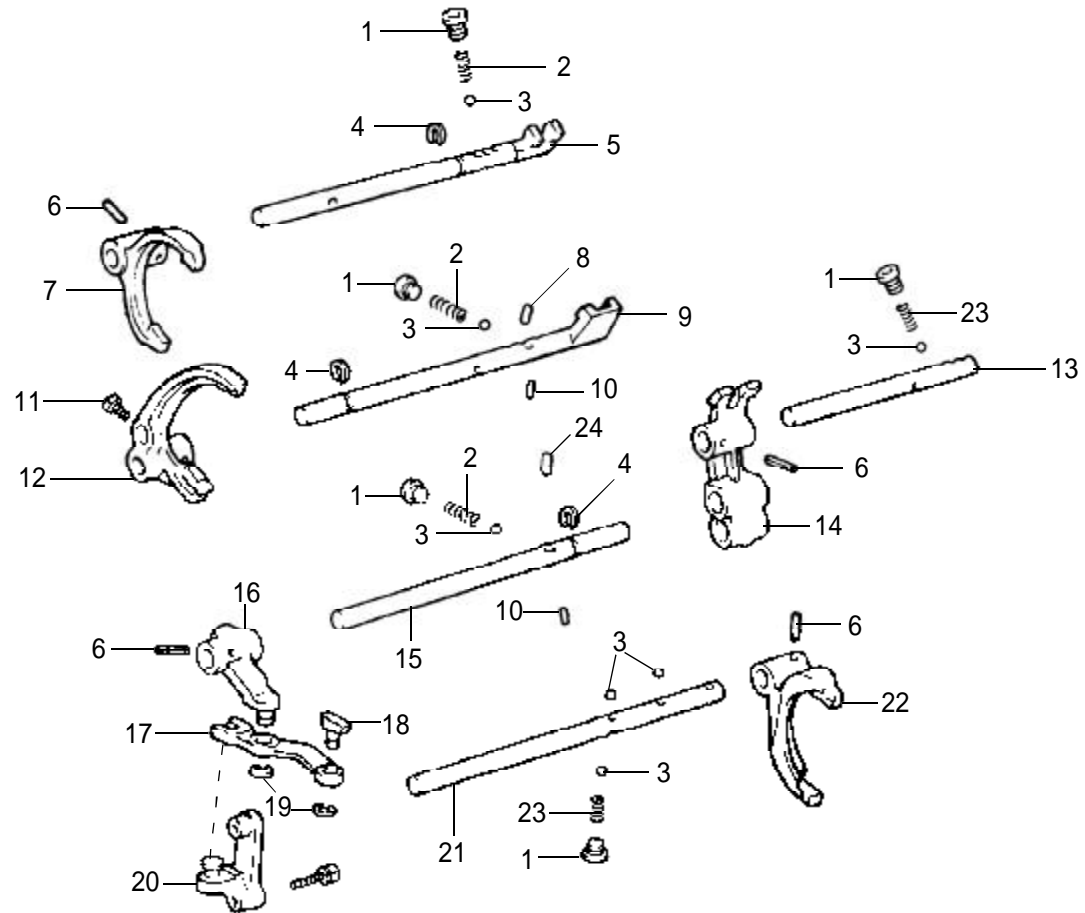
变速器——唐齿 上齿 中马（三） TRANSMISSION-- TAGC SSBAT ZOMAX(3)

序号 S/N	零部件代号 PART CODE	零部件名称 PART NAME	用量 QTY	变速器厂家 TRANSMISSION FACTORY	备注 REMARK
45	1701521S	倒档惰轮轴 REVERSE IDLE GEAR SHAFT	1	上齿 SSBAT	
46	1701522	倒档惰轮轴压板 REVERSE IDLE GEAR SHAFT CLAMP	1	唐齿 中马 TAGC ZOMAX	
	1701522S	倒档惰轮轴压板 REVERSE IDLE GEAR SHAFT CLAMP		上齿 SSBAT	





变速器——唐齿 上齿 中马（四） TRANSMISSION —TAGC SSBAT ZOMAX(4)



变速器——唐齿 上齿 中马（四） TRANSMISSION --TAGC SSBAT ZOMAX(4)

序号 S/N	零部件代号 PART CODE	零部件名称 PART NAME	用量 QTY	变速器厂家 TRANSMISSION FACTORY	备注 REMARK
1	1703537	定位弹簧螺堵 LOCATING SPRING PLUG	5	唐齿 中马 TAGC ZOMAX	电控四驱
	1703537-SY	定位弹簧螺堵 LOCATING SPRING PLUG (ELECTRICALLY-CONTROLLED 4WD)		唐齿 TAGC	
	1703537S	定位弹簧螺堵 LOCATING SPRING PLUG	4	上齿 SSBAT	
2	1703511	1234 档叉轴定位弹簧 1ST 2ND 3RD 4TH LOCATING SPRING	3	唐齿 中马 TAGC ZOMAX	
	1703511S	1234 档叉轴定位弹簧 1ST 2ND 3RD 4TH LOCATING SPRING		上齿 SSBAT	
3	1703518	钢球 STEEL BALL (BIG)	7	唐齿 中马 TAGC ZOMAX	大
	1703518-SY	9.525 钢球 STEEL BALL (ELECTRICALLY-CONTROLLED 4WD)		唐齿 TAGC	电控四驱
	1703518S	钢球 STEEL BALL (BIG)	6	上齿 SSBAT	大
4	1703543	夹紧挡圈 CLAMP RETAINER	3	唐齿 中马 TAGC ZOMAX	
	1703543S	夹紧挡圈 CLAMP RETAINER		上齿 SSBAT	
5	1703526	三四档换挡叉轴 3RD 4TH SHIFTING FORK	1	唐齿 中马 TAGC ZOMAX	
	1703526S	三四档换挡叉轴 3RD 4TH SHIFTING FORK		上齿 SSBAT	
6	1702526	换挡叉锁销合件 SHIFTING FORK PIN ASSEMBLY	4	唐齿 中马 TAGC ZOMAX	
	1702526S	换挡叉锁销合件 SHIFTING FORK PIN ASSEMBLY		上齿 SSBAT	
7	1703544	三四档换挡拨叉 3RD 4TH SHIFTING FORK	1	唐齿 中马 TAGC ZOMAX	
	1703544S	三四档换挡拨叉 3RD 4TH SHIFTING FORK		上齿 SSBAT	
8	1703517	短互锁销 SHORT PIN	1	唐齿 中马 TAGC ZOMAX	
	1703517S	短互锁销 SHORT PIN		上齿 SSBAT	
9	1703564	一二档换挡叉轴 1ST 2ND SHIFTING FORK	1	唐齿 中马 TAGC ZOMAX	
	1703564S	一二档换挡叉轴 1ST 2ND SHIFTING FORK		上齿 SSBAT	
10	1703519	互锁导柱 INTERLOCK GUIDE PIN	2	唐齿 中马 TAGC ZOMAX	



变速器——唐齿 上齿 中马（四）TRANSMISSION --TAGC SSBAT ZOMAX(4)

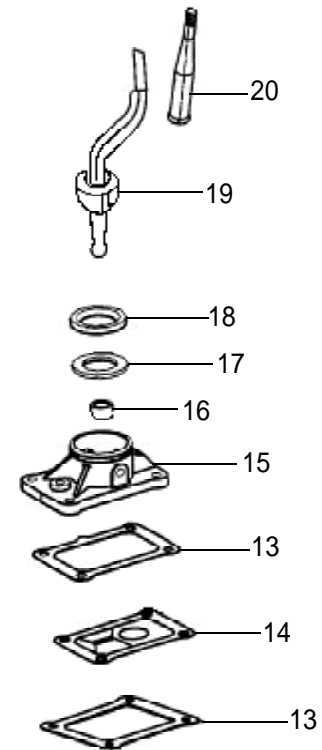
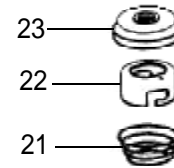
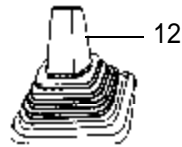
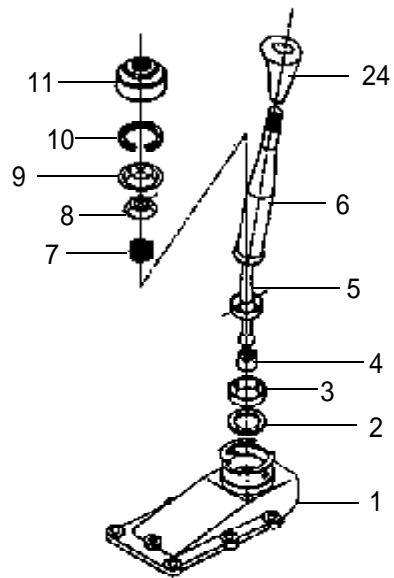
序号 S/N	零部件代号 PART CODE	零部件名称 PART NAME	用量 QTY	变速器厂家 TRANSMISSION FACTORY	备注 REMARK
10	1703519S	互锁导柱 INTERLOCK GUIDE PIN	2	上齿 SSBAT	
11	1703561	一二档拨叉定位螺钉 1ST 2ND SHIFT FORK LOCATING BOLT	1	唐齿 中马 TAGC ZOMAX	
	1703561S	一二档拨叉定位螺钉 1ST 2ND SHIFT FORK LOCATING BOLT		上齿 SSBAT	
12	1703562	一二档换挡拨叉 1ST 2ND SHIFTING FORK	1	唐齿 中马 TAGC ZOMAX	
	1703562S	一二档换挡拨叉 1ST 2ND SHIFTING FORK		上齿 SSBAT	
13	1703530	五倒档换挡叉轴 5TH REVERSE SHIFTING FORK	1	唐齿 中马 TAGC ZOMAX	
	1703530S	五倒档换挡叉轴 5TH REVERSE SHIFTING FORK		上齿 SSBAT	
14	1703531	五倒档换挡导块 5TH REVERSE SHIFTING LEAD BLOCK	1	唐齿 中马 TAGC ZOMAX	
	1703531S	五倒档换挡导块 5TH REVERSE SHIFTING LEAD BLOCK		上齿 SSBAT	
15	1703534	倒档换挡叉轴 REVERSE SHIFTING FORK	1	唐齿 中马 TAGC ZOMAX	
	1703534S	倒档换挡叉轴 REVERSE SHIFTING FORK		上齿 SSBAT	
16	1703512	倒档拨杆 REVERSE DRIVER	1	唐齿 中马 TAGC ZOMAX	
	1703512S	倒档拨杆 REVERSE DRIVER		上齿 SSBAT	
17	1703514	倒档摇臂 REVERSE ARM	1	唐齿 中马 TAGC ZOMAX	
	1703514S	倒档摇臂 REVERSE ARM		上齿 SSBAT	
18	1703513	倒档换挡拨块 SHIFT FORK	1	唐齿 中马 TAGC ZOMAX	
	1703513S	倒档换挡拨块 SHIFT FORK		上齿 SSBAT	
19	1701539	开口挡圈“E” RING	2	唐齿 中马 TAGC ZOMAX	
	1701539S	开口挡圈“E” RING		上齿 SSBAT	
20	1703533	倒档摇臂支架 REVERSE ARM CARRIER	1	唐齿 中马 TAGC ZOMAX	
	1703533S	倒档摇臂支架 REVERSE ARM CARRIER		上齿 SSBAT	
21	1703529	五档换挡叉轴 5TH SHIFTING FORK	1	唐齿 中马 TAGC ZOMAX	

变速器——唐齿 上齿 中马（四）TRANSMISSION --TAGC SSBAT ZOMAX(4)

序号 S/N	零部件代号 PART CODE	零部件名称 PART NAME	用量 QTY	变速器厂家 TRANSMISSION FACTORY	备注 REMARK
21	1703529S	五档换挡叉轴 5TH SHIFTING FORK	1	上齿 SSBAT	
22	1703528	五档换挡拨叉 5TH GEAR SHIFTING FORK	1	唐齿 中马 TAGC ZOMAX	
	1703528S	五档换挡拨叉 5TH GEAR SHIFTING FORK		上齿 SSBAT	
23	1703536	五档叉轴定位弹簧 5TH FORK LOCATING SPRING	2	唐齿 中马 TAGC ZOMAX	
	1703536S	五档叉轴定位弹簧 5TH FORK LOCATING SPRING		上齿 SSBAT	
24	1703520	互锁销 INTERLOCK PIN	1	唐齿 中马 TAGC ZOMAX	
	1703520S	互锁销 INTERLOCK PIN		上齿 SSBAT	



变速器——唐齿 上齿 中马（五） TRANSMISSION —TAGC SSBAT ZOMAX(5)



变速器——唐齿 上齿 中马（五） TRANSMISSION --TAGC SSBAT ZOMAX(5)

序号 S/N	零部件代号 PART CODE	零部件名称 PART NAME	用量 QTY	变速器厂家 TRANSMISSION FACTORY	备注 REMARK
1	1702512	操纵盖 MANIPULATION LID	1	唐齿 TAGC	
	1702512S	操纵盖 MANIPULATION LID		上齿 SSBAT	
	1B-1702010S	操纵盖组件 MANIPULATION LID ASSEMBLY (OR SPECIAL LEARNER-DRIVEN VEHICLE ONLY)		中马 ZOMAX	教练车专用
2	1701625	橡胶平垫 RUBBER FLAT GASKET	1	唐齿 TAGC	
3	1701631	橡胶垫 RUBBER GASKET	1	唐齿 TAGC	
	1701631S	橡胶垫圈 RUBBER RING		上齿 SSBAT	
4	1701624	塑料隔套 PLASTIC SPACER	1	唐齿 TAGC	
	1701624S	塑料隔套 PLASTIC SPACER		上齿 SSBAT	
5	1703523	换挡杆 GEAR SHIFT LEVER	1	唐齿 TAGC	
	1703523S	换挡杆 GEAR SHIFT LEVER		上齿 SSBAT	
	1703523SD	换挡杆 GEAR SHIFT LEVER (SET WITH 4D28 DIESEL ENGINE)		上齿 SSBAT	配 4D28 柴油机
6	1703538	换挡接杆组件 GEAR SHIFT LEVER AND EXTENSION BAR ASSEMBLY	1	唐齿 TAGC	
	1703538-SB	换挡接杆组件 GEAR SHIFT LEVER AND EXTENSION BAR ASSEMBLY (SET WITH 4D28 DIESEL ENGINE)		唐齿 TAGC	配 4D28 柴油机
	1703538S	换挡接杆组件 GEAR SHIFT LEVER AND EXTENSION BAR ASSEMBLY		上齿 SSBAT	
	1703538SD	换挡接杆组件 GEAR SHIFT LEVER AND EXTENSION BAR ASSEMBLY (SET WITH 4D28 DIESEL ENGINE)		上齿 SSBAT	配 4D28 柴油机
	1703538Z	换挡接杆组件 GEAR SHIFT LEVER AND EXTENSION BAR ASSEMBLY (WITH GEAR SHIFT LEVER AND EXTENSION BAR ASSEMBLY)		中马 ZOMAX	含换挡杆及接杆组件
	1703538Z1	换挡接杆组件 GEAR SHIFT LEVER AND EXTENSION BAR ASSEMBLY (SET WITH 4L68 DIESEL ENGINE)		中马 ZOMAX	配 4L68 柴油机
7	1702523	换挡杆弹簧 GEAR SHIFT LEVER SPRING	1	唐齿 TAGC	
	1702523S	换挡杆弹簧 GEAR SHIFT LEVER SPRING		上齿 SSBAT	



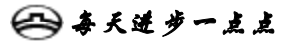
变速器——唐齿 上齿 中马（五） TRANSMISSION --TAGC SSBAT ZOMAX(5)

序号 S/N	零部件代号 PART CODE	零部件名称 PART NAME	用量 QTY	变速器厂家 TRANSMISSION FACTORY	备注 REMARK
8	1702524	换挡杆弹簧座 GEAR SHIFT LEVER SPRING SEAT	1	唐齿 TAGC	
	1702524S	换挡杆弹簧座 GEAR SHIFT LEVER SPRING SEAT		上齿 SSBAT	
9	1702525	换挡杆盖 GEAR SHIFT LEVER LID	1	唐齿 TAGC	
	1702525S	换挡杆盖 GEAR SHIFT LEVER LID		上齿 SSBAT	
10	1702527	卡环 RETAINER RING	1	唐齿 TAGC	
	1702527S	卡环 RETAINER RING		上齿 SSBAT	
11	1702595	变速杆防尘胶套(小) GEAR LEVER DUST PROOF RUBBER SHIELD (SMALL)	1	唐齿 TAGC	
	1702595S	变速杆防尘胶套(小) GEAR LEVER DUST PROOF RUBBER SHIELD (SMALL)		上齿 SSBAT	
12	5109013-D01	换挡杆防尘罩(塔套) GEAR SHIFT LEVER DUST SHIELD (TOWER SHEILD)	1	唐齿 TAGC	
13	1702534-SY	操 纵 盖 衬 垫 MANIPULATION LID BACKING (ELECTRICALLY-CONTROLLED 4WD)	2	唐齿 TAGC	电控四驱
14	1702535-SY	操 纵 盖 导 流 板 MANIPULATION LID FLOW DEFLECTOR (ELECTRICALLY-CONTROLLED 4WD)	1	唐齿 TAGC	电控四驱
15	1702512-SY	操纵盖 MANIPULATION LID (ELECTRICALLY-CONTROLLED 4WD)	1	唐齿 TAGC	电控四驱
16	1701624-SY	塑料隔套 PLASTIC SPACER (ELECTRICALLY-CONTROLLED 4WD)	1	唐齿 TAGC	电控四驱
17	1701625-SY	橡胶平垫 RUBBER FLAT GASKET (ELECTRICALLY-CONTROLLED 4WD)	1	唐齿 TAGC	电控四驱
18	1701631-SY	球面垫 SPHERIC WASHER (ELECTRICALLY-CONTROLLED 4WD)	1	唐齿 TAGC	电控四驱
19	1703523-SY	换挡杆 GEAR SHIFT LEVER (ELECTRICALLY-CONTROLLED 4WD)	1	唐齿 TAGC	电控四驱
20	1703538-SY	换挡接杆组件 GEAR SHIFT LEVER AND EXTENSION BAR ASSEMBLY (ELECTRICALLY-CONTROLLED 4WD)	1	唐齿 TAGC	电控四驱
21	1702523-SY	换挡杆弹簧 GEAR SHIFT LEVER SPRING (ELECTRICALLY-CONTROLLED 4WD)	1	唐齿 TAGC	电控四驱

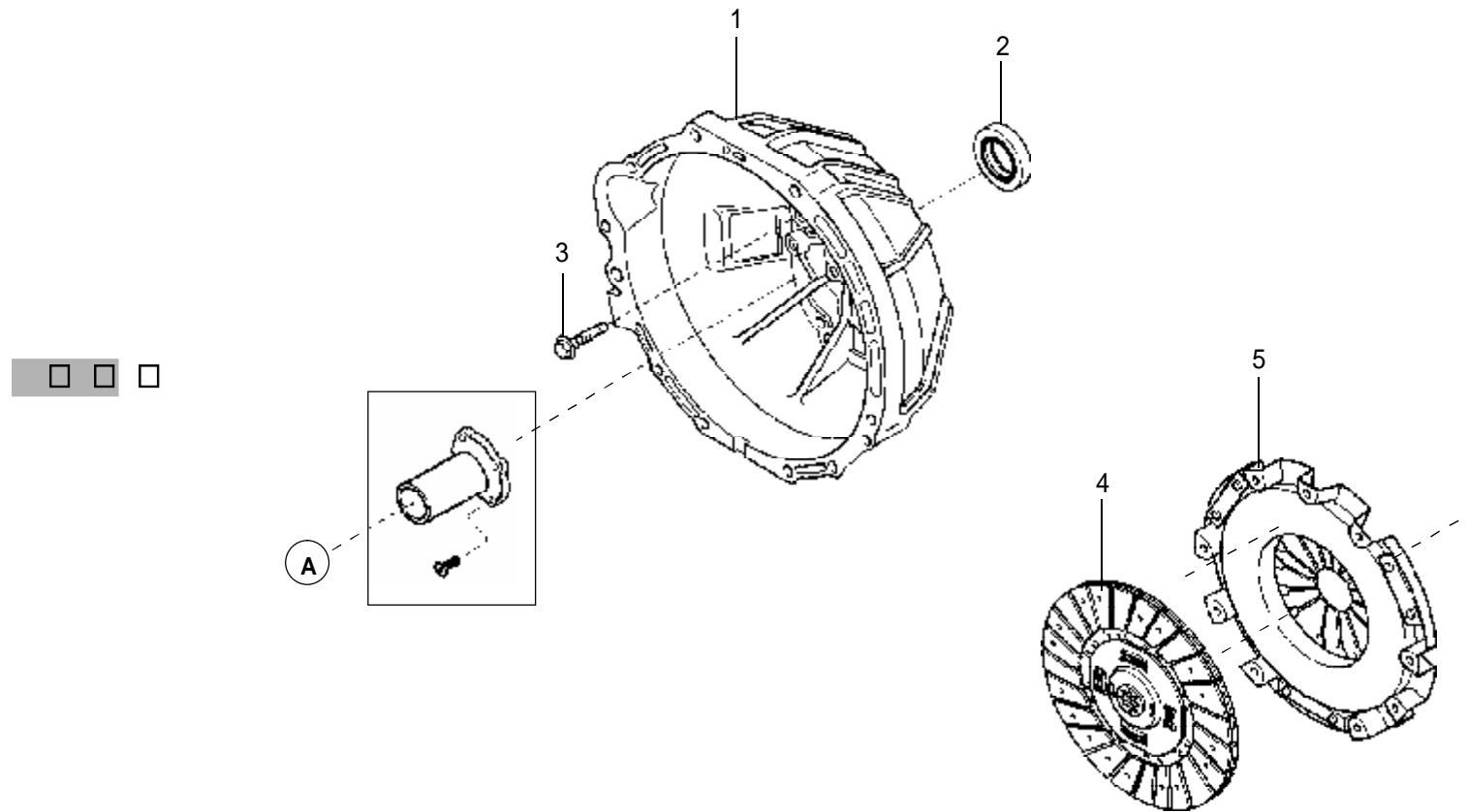


变速器——唐齿 上齿 中马（五） TRANSMISSION --TAGC SSBAT ZOMAX(5)

序号 S/N	零部件代号 PART CODE	零部件名称 PART NAME	用量 QTY	变速器厂家 TRANSMISSION FACTORY	备注 REMARK
22	1702524-SY	换档杆弹簧座 GEAR SHIFT LEVER SPRING SEAT (ELECTRICALLY-CONTROLLED 4WD)	1	唐齿 TAGC	电控四驱
23	1702595-SY	防尘罩 DUST SHIELD (ELECTRICALLY-CONTROLLED 4WD)	1	唐齿 TAGC	电控四驱
24	5305021-D01	变速杆手球 SHIFT LEVER BALL	1		亚光桃木



变速器——韩齿（一） TRANSMISSION — HANSHIN (1)



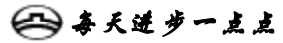
每天进步一点点

变速器——韩齿（一） TRANSMISSION -- HANSHIN (1)

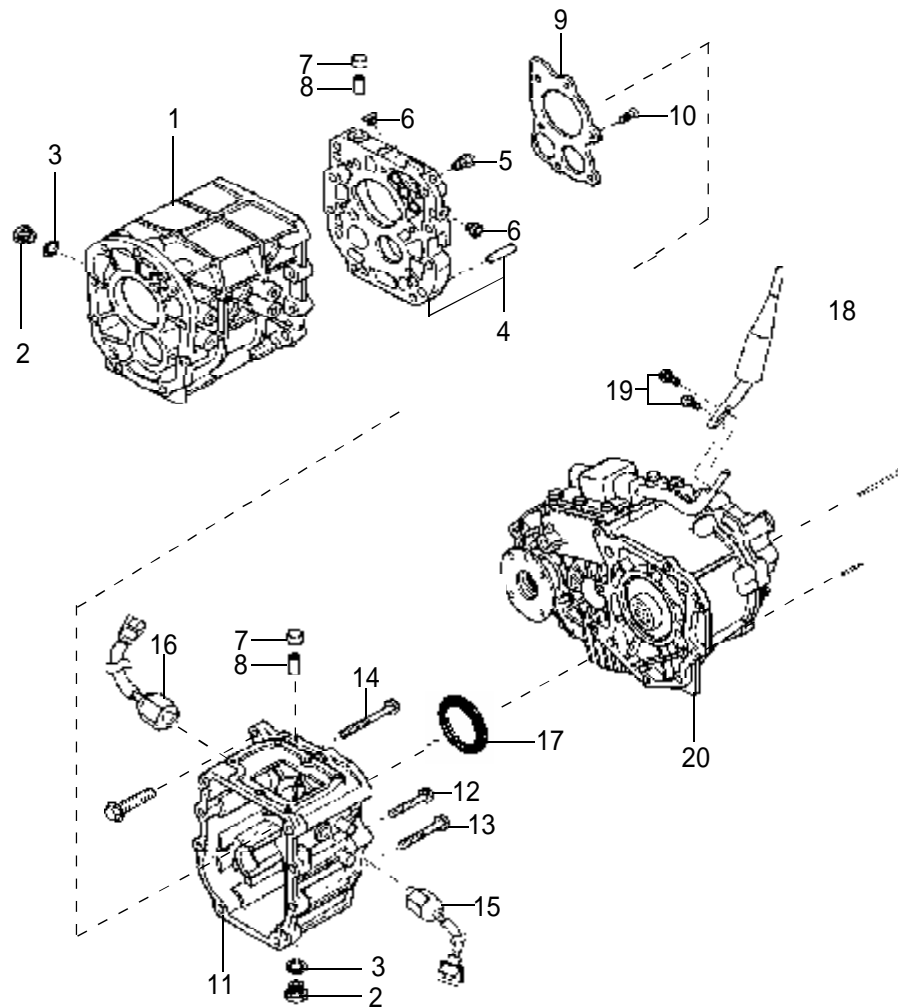
序号 NO	零部件代号(OEM) PART CODE *	零部件名称 PART NAME	用量 QTY	变速器厂家 TRANSMISSION FACTORY	备注 REMARK
1	GCH02162100	离合器壳总成 CLUTCH HOUSING ASSEMBLY	1	韩齿 HANSHIN	
2	CH0116103	前盖油封 HOOD OIL SEAL	1	韩齿 HANSHIN	
3	G997961250	离合器壳体螺栓 CLUTCH HOUSING BOLT	9	韩齿 HANSHIN	
4	GCH0116030	离合器片 CLUTCH DISC	1	韩齿 HANSHIN	
5	GCH0116010	离合器压盘 CLUTCH COVER	1	韩齿 HANSHIN	

□ □ □

* OEM 为原配套厂零部件代号，下同。* OEM IS THE CODE NAME OF THE COMPONENTS FROM THE ORIGINAL EQUIPMENT MANUFACTURER AND THE FOLLOWING ARE THE SAME.



变速器——韩齿（二） TRANSMISSION - -HANSHIN (2)

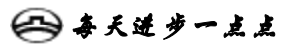
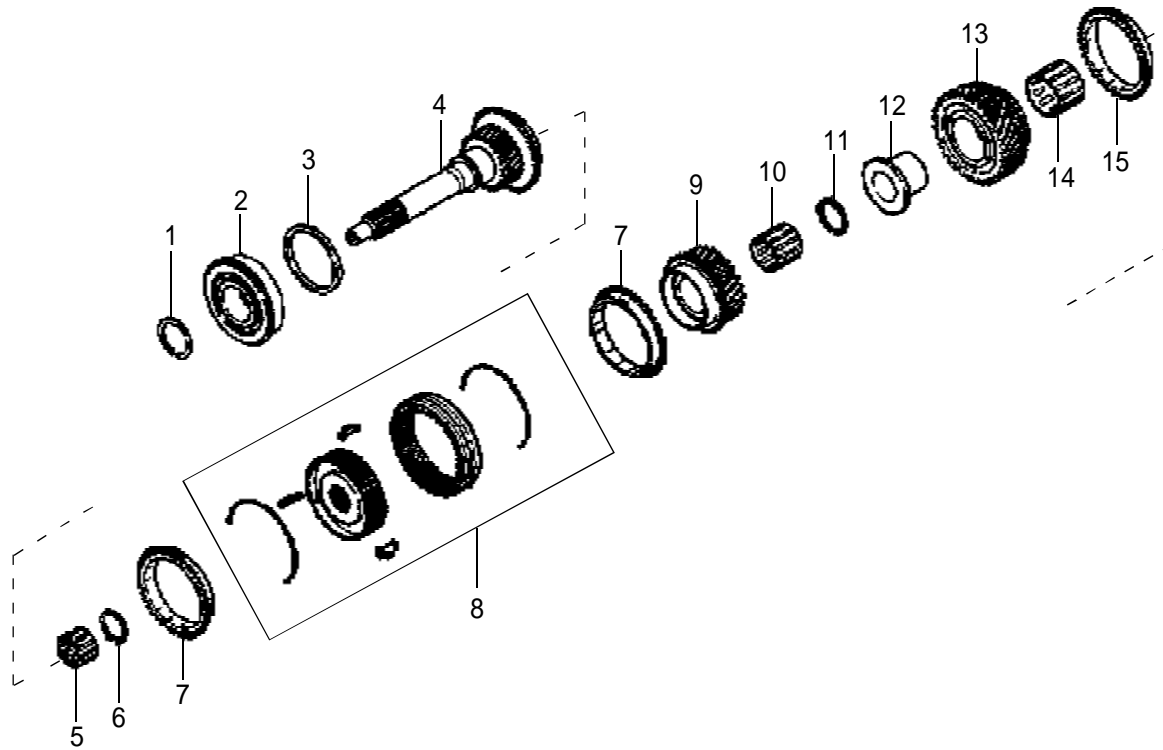


变速器——韩齿（二） TRANSMISSION - -HANSHIN (2)

序号 S/N	零部件代号(OEM) PART CODE	零部件名称 PART NAME	用量 QTY	变速器厂家 TRANSMISSION FACTORY	备注 REMARK
	1701110-F01-B1	变速器总成 TRANSMISSION ASSEMBLY	1	韩齿 HANSHIN	
1	GCH02171010	变速器壳体 TRANSMISSION CASE	1	韩齿 HANSHIN	
2	GK71E171220	磁性螺塞 MAGNETIC PLUG (OIL FILLER PLUG OIL DRAIN PLUG)	2	韩齿 HANSHIN	加油、放油螺塞
3	995641800	垫片 BACKING	2	韩齿 HANSHIN	
4	GPD96171200	轴承套管总成 BEARING CASING ASSEMBLY (ON CENTER COUPLING)	1	韩齿 HANSHIN	中联板上
5	GK71E17124B	塞子 PLUG (ON LONG AND CENTER COUPLING)	1	韩齿 HANSHIN	长,中联板上
6	GK71E17125A	塞子 PLUG (ON LONG AND CENTER COUPLING)	2	韩齿 HANSHIN	短,中联板上
7	GK011175310	通气盖 BREATHER CAP	2	韩齿 HANSHIN	
8	GK011175320	通气管 AIR PIPE	2	韩齿 HANSHIN	
9	GPD96173710	轴承盖 BEARING CAP	1	韩齿 HANSHIN	
10	G907812825	螺栓组件 BOLT ASSEMBLY (BEARING CAP ON BEARING CAP)	6	韩齿 HANSHIN	轴承盖上
11	GCH02173300	后盖总成 REAR COVER ASSEMBLY	1	韩齿 HANSHIN	
12	G997841060	螺栓 1 BOLT 1 (ON REAR BODY)	1	韩齿 HANSHIN	后壳体上
13	G997841070	螺栓 2 BOLT 2 (ON REAR BODY)	5	韩齿 HANSHIN	后壳体上
14	G997841085	螺栓 3 BOLT 3 (ON REAR BODY)	1	韩齿 HANSHIN	后壳体上
15	G938604Y100	倒档开关 REVERSE SWITCH	1	韩齿 HANSHIN	
16	G938604Y200	四轮驱动指示灯开关 INDICATOR LAMP SWITCH OF FOUR WHEEL DRIVE	1	韩齿 HANSHIN	
17	K67B17357	变速器输出轴油封 REANSMISSION OUTPUT SHAFT OIL SEAL	1	韩齿 HANSHIN	
18	GCH02179800	分动器换挡杆总成 TRANSFER CASE GEAR SHIFT LEVER ASSEMBLY	1	韩齿 HANSHIN	
	GCH02179800B	分动器换挡杆总成 TRANSFER CASE GEAR SHIFT LEVER ASSEMBLY (GENERATION)		韩齿 HANSHIN	改进型
19	GCH01174960	密配合螺栓 REAMER BOLT (GEAR LEVER ANCHOR BOLT)	2	韩齿 HANSHIN	变速杆固定螺栓
20	1700110B-SY	分动器总成 TRANSFER CASE ASSEMBLY	1	韩齿 HANSHIN	



变速器——韩齿（三） TRANSMISSION —HANSHIN (3)

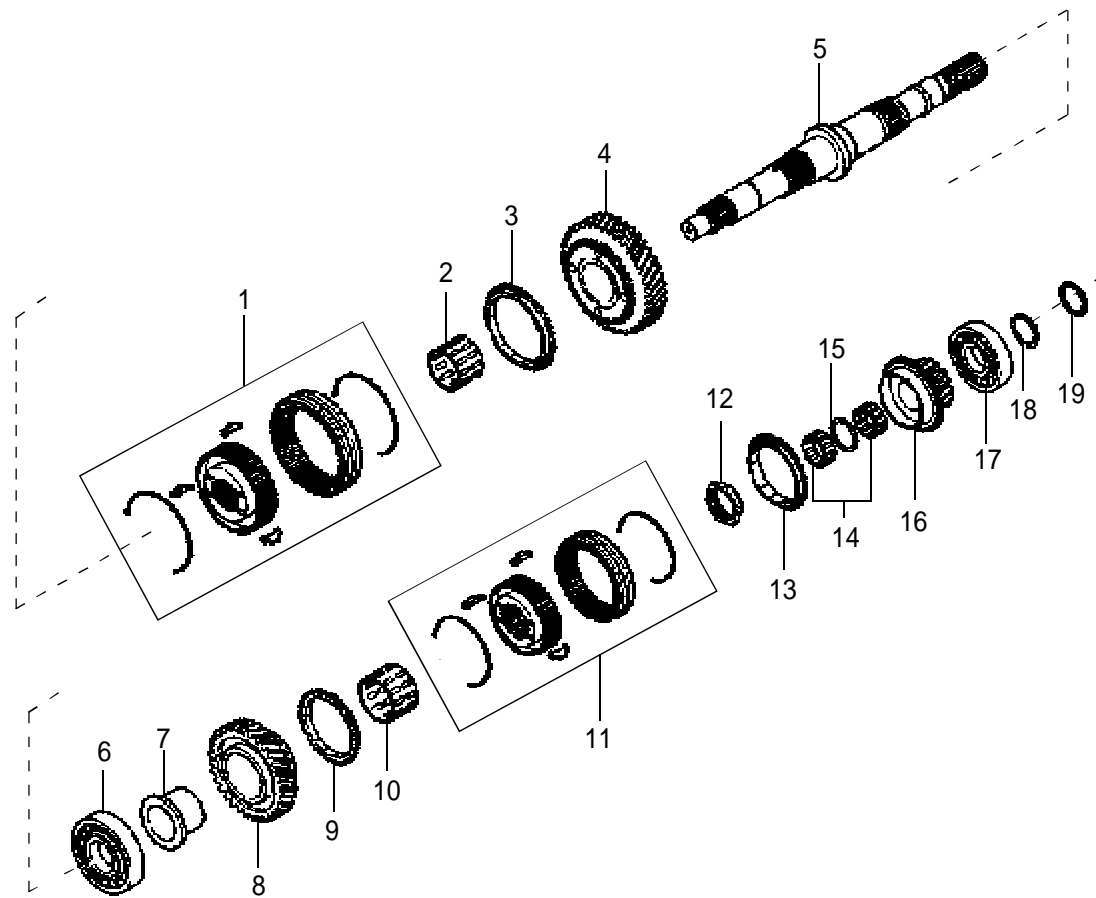



变速器——韩齿（三） TRANSMISSION --HANSHIN (3)

序号 S/N	零部件代号(OEM) PART CODE	零部件名称 PART NAME	用量 QTY	变速器厂家 TRANSMISSION FACTORY	备注 REMARK
1	GK71E173050	弹簧卡环 SPRING RETAINER RING (INPUT SHAFT RETAINER)	1	韩齿 HANSHIN	输入轴挡圈
2	GPD96172050	输入轴轴承 INPUT BEARING	1	韩齿 HANSHIN	
3	GPD96173050	弹簧卡环 SPRING RETAINER RING (INPUT SHAFT STOP RING)	1	韩齿 HANSHIN	输入轴止动环
4	GCH01172100	主驱动齿轮总成 MAIN DRIVING GEAR ASSEMBLY (INPUT SHAFT)	1	韩齿 HANSHIN	输入轴
5	GK71E17210A	滚针轴承 NEEDLE BEARING (INPUT SHAFT)	1	韩齿 HANSHIN	输入轴
6	GK615172250	挡圈 RETAINER (INPUT SHAFT NEEDLE RETAINER)	1	韩齿 HANSHIN	输入轴滚针挡圈
7	GK43A172450	第三、四同步器齿环 3RD 4TH SYNCHRONIZER RING	2	韩齿 HANSHIN	
8	GK71E172400	第三、四离合器毂 3RD 4TH CLUTCH HUB	1	韩齿 HANSHIN	
9	GK43A172300	三档齿轮总成 3RD GEAR ASSEMBLY	1	韩齿 HANSHIN	
10	GK71E17232A	滚针轴承 NEEDLE BEARING (3RD GEAR)	1	韩齿 HANSHIN	三档齿轮
11	GK71E173040	弹簧卡环 SPRING RETAINER RING (3RD GEAR NEEDLE RETAINER)	1	韩齿 HANSHIN	三档齿轮滚针挡圈
12	GK72A172790	第二齿轮套 2ND GEAR CASE (2ND GEAR BUSH)	1	韩齿 HANSHIN	二档齿轮轴套
13	GPD96172500	二档齿轮总成 2ND GEAR ASSEMBLY	1	韩齿 HANSHIN	
14	GK71E17235A	滚针轴承 NEEDLE BEARING (1ST 2ND GEAR)	1	韩齿 HANSHIN	一、二档齿轮
15	GK71E17265A	第二同步器齿环 2ND SYNCHRONIZER RING	1	韩齿 HANSHIN	



变速器——韩齿（四） TRANSMISSION —HANSHIN (4)



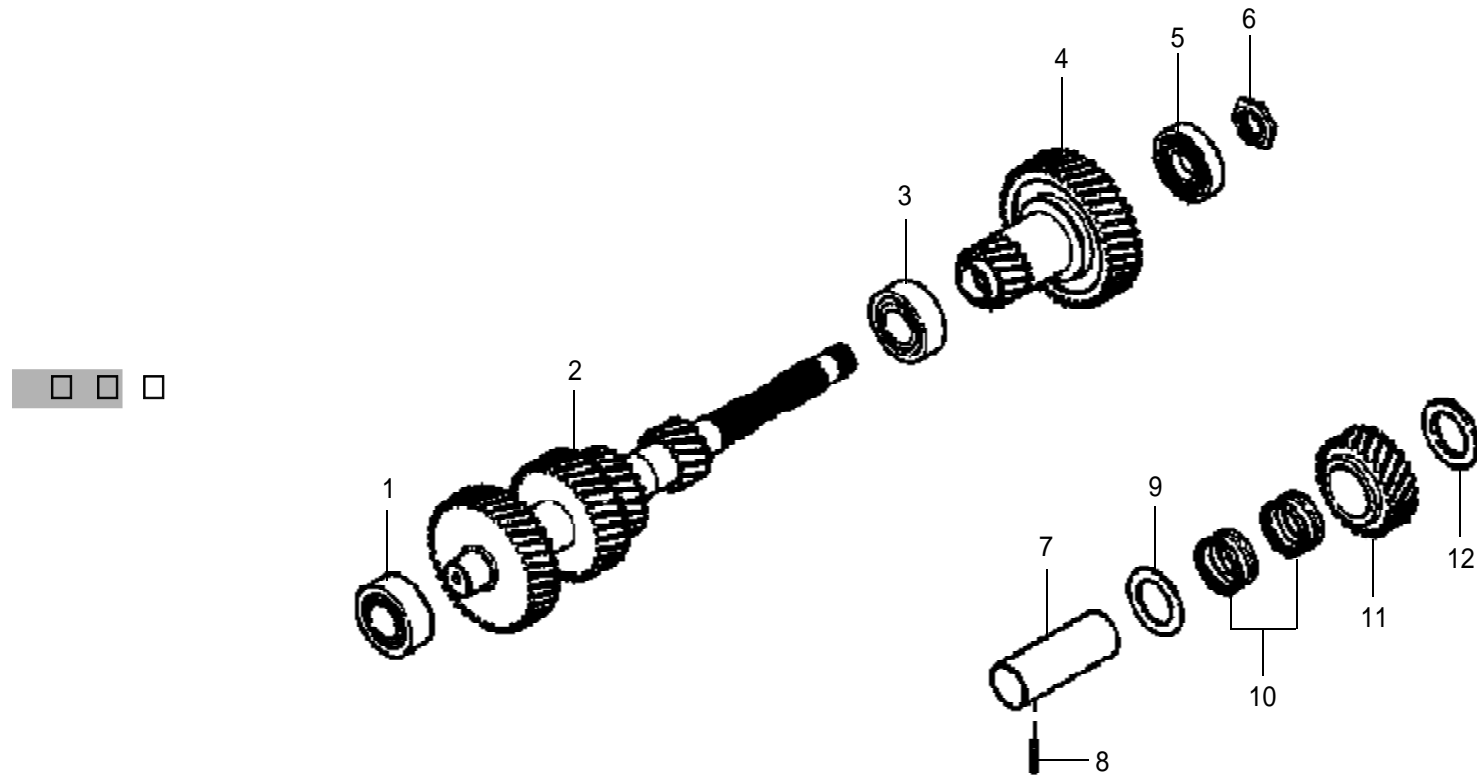
 每天进步一点点

变速器——韩齿（四） TRANSMISSION --HANSHIN (4)

序号 NO	零部件代号(OEM) PART CODE	零部件名称 PART NAME	用量 QTY	变速器厂家 TRANSMISSION FACTORY	备注 REMARK
1	GPD96172600	第一、二离合器毂 1ST 2ND CLUTCH HUB	1	韩齿 HANSHIN	
2	GK71E17235A	滚针轴承 NEEDLE BEARING (1ST 2ND GEAR)	2	韩齿 HANSHIN	一、二档齿轮
3	GK71E17245A	第一同步器齿环 1ST SYNCHRONIZER RING	1	韩齿 HANSHIN	
4	GPD96172700	一档齿轮总成 1ST GEAR ASSEMBLY	1	韩齿 HANSHIN	
5	GCH01172210	主轴 MAIN SHAFT (OUTPUT SHAFT)	1	韩齿 HANSHIN	输出轴
6	GPD96172950	球轴承 BALL BEARING (OUTPUT SHAFT FRONT BEARING)	1	韩齿 HANSHIN	输出轴前轴承
7	GK71E172840	倒档齿轮套 REVERSE GEAR CASE	1	韩齿 HANSHIN	
8	GPD9617281A	倒档齿轮总成 REVERSE GEAR ASSEMBLY	1	韩齿 HANSHIN	
9	GW50117725A	倒档同步齿环 REVERSE SYNCHRONIZER RING	1	韩齿 HANSHIN	
10	GK71E17234A	滚针轴承 NEEDLE BEARING (REVERSE GEAR)	1	韩齿 HANSHIN	倒档齿轮
11	GPD9617620A	第五、R 离合器毂 5TH R CLUTCH HUB	1	韩齿 HANSHIN	
12	GK71E176290	锁紧螺母 LOCK NUT (OUTPUT SHAFT)	1	韩齿 HANSHIN	输出轴
13	GK43A177250	第五同步齿环 5TH SYNCHRONIZER RING	1	韩齿 HANSHIN	
14	GK71E17293A	滚针轴承 NEEDLE BEARING (CENTER 5TH GEAR)	2	韩齿 HANSHIN	中五档齿轮
15	GK71E172940	隔套 SPACER (CENTER 5TH NEEDLE SPACER)	1	韩齿 HANSHIN	中五档滚针隔套
16	GPD9617290A	五档齿轮总成 5TH GEAR ASSEMBLY	1	韩齿 HANSHIN	
17	GK71E172040	球轴承 BALL BEARING (OUTPUT SHAFT BACK BEARING)	1	韩齿 HANSHIN	输出轴后轴承
18	GK67B173060	弹簧卡环 SPRING RETAINER RING (OUTPUT SHAFT RETAINER)	1	韩齿 HANSHIN	输出轴挡圈
19	GK67B179870	O 型圈 "O" RING	1	韩齿 HANSHIN	



变速器——韩齿（五） TRANSMISSION— HANSHIN (5)



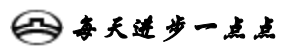
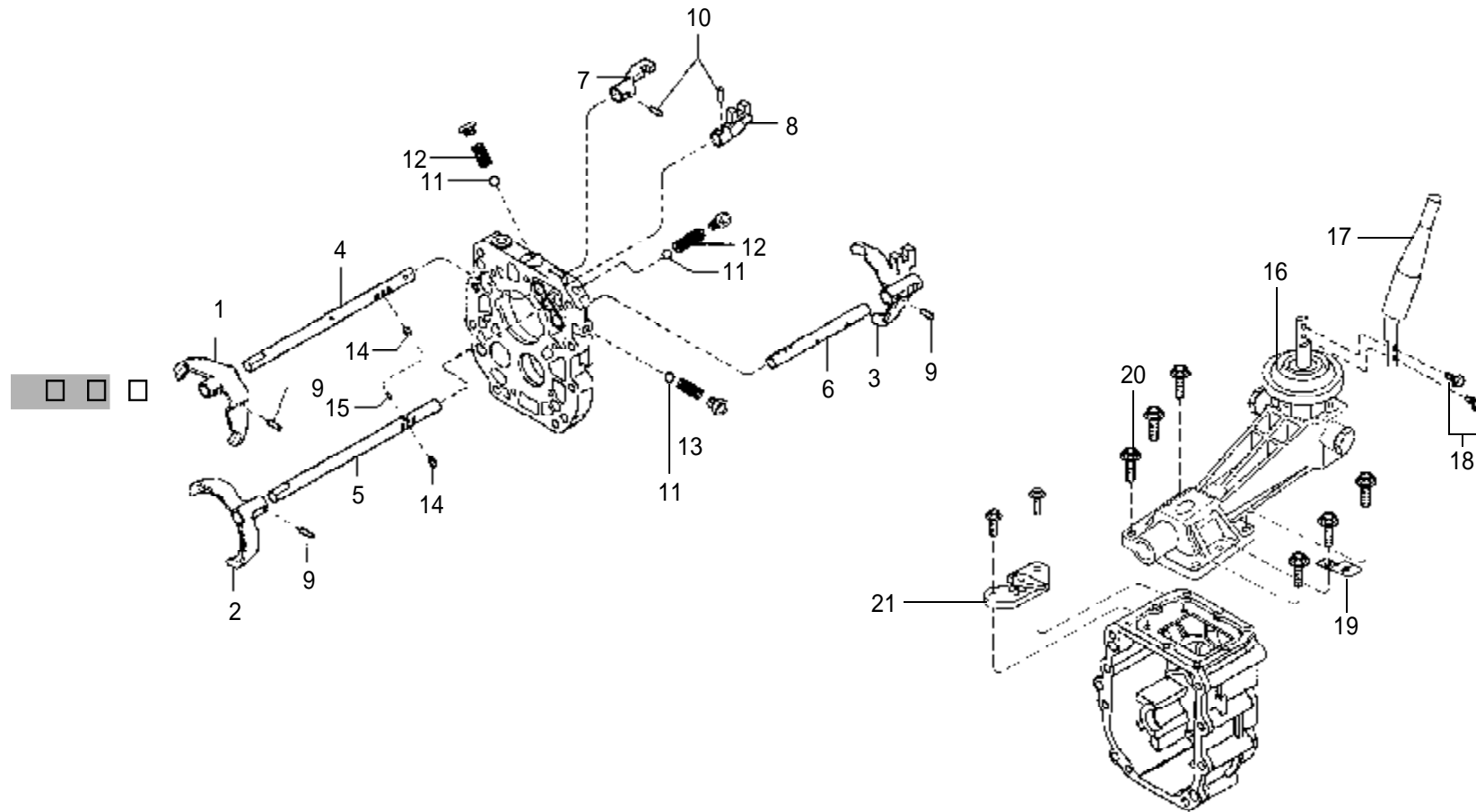
每天进步一点点

变速器——韩齿（五） TRANSMISSION-- HANSHIN (5)

序号 S/N	零部件代号(OEM) PART CODE	零部件名称 PART NAME	用量 QTY	变速器厂家 TRANSMISSION FACTORY	备注 REMARK
1	GPD96172070	中间轴前轴承 CENTER SHAFT FRONT BEARING	1	韩齿 HANSHIN	
2	GPD96173010	中间轴齿轮 CENTER SHAFT GEAR (CENTER SHAFT)	1	韩齿 HANSHIN	中间轴
3	GK71E172900	中间轴后轴承 CENTER SHAFT BACK BEARING	1	韩齿 HANSHIN	
4	GPD96172990	球轴承 BALL BEARING (IDLE GEAR OUTSIDE BEARING)	1	韩齿 HANSHIN	中间齿轮外轴承
5	GM50117309A	锁紧螺母 LOCK NUT (CENTER SHAFT)	1	韩齿 HANSHIN	中间轴
6	GK46917321A	惰轮轴 SHAFT, IDLE GEAR	1	韩齿 HANSHIN	
7	GK71E173230	销 PIN (IDLE BEARING)	1	韩齿 HANSHIN	惰轮轴
8	GK71E173130	止推垫圈 THRUST WASHER (THIN IDLE BEARING)	1	韩齿 HANSHIN	薄, 惰轮轴
9	GK71E17312A	滚针轴承 NEEDLE BEARING (IDLE BEARING)	2	韩齿 HANSHIN	惰轮轴
10	GPD96173110	空档齿轮总成 IDLE GEAR ASSEMBLY	1	韩齿 HANSHIN	
11	GK469173130	止推垫圈 THRUST WASHER (THICK IDLE BEARING)	1	韩齿 HANSHIN	厚, 惰轮轴



变速器——韩齿（六） TRANSMISSION — HANSHIN (6)

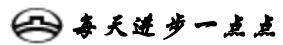
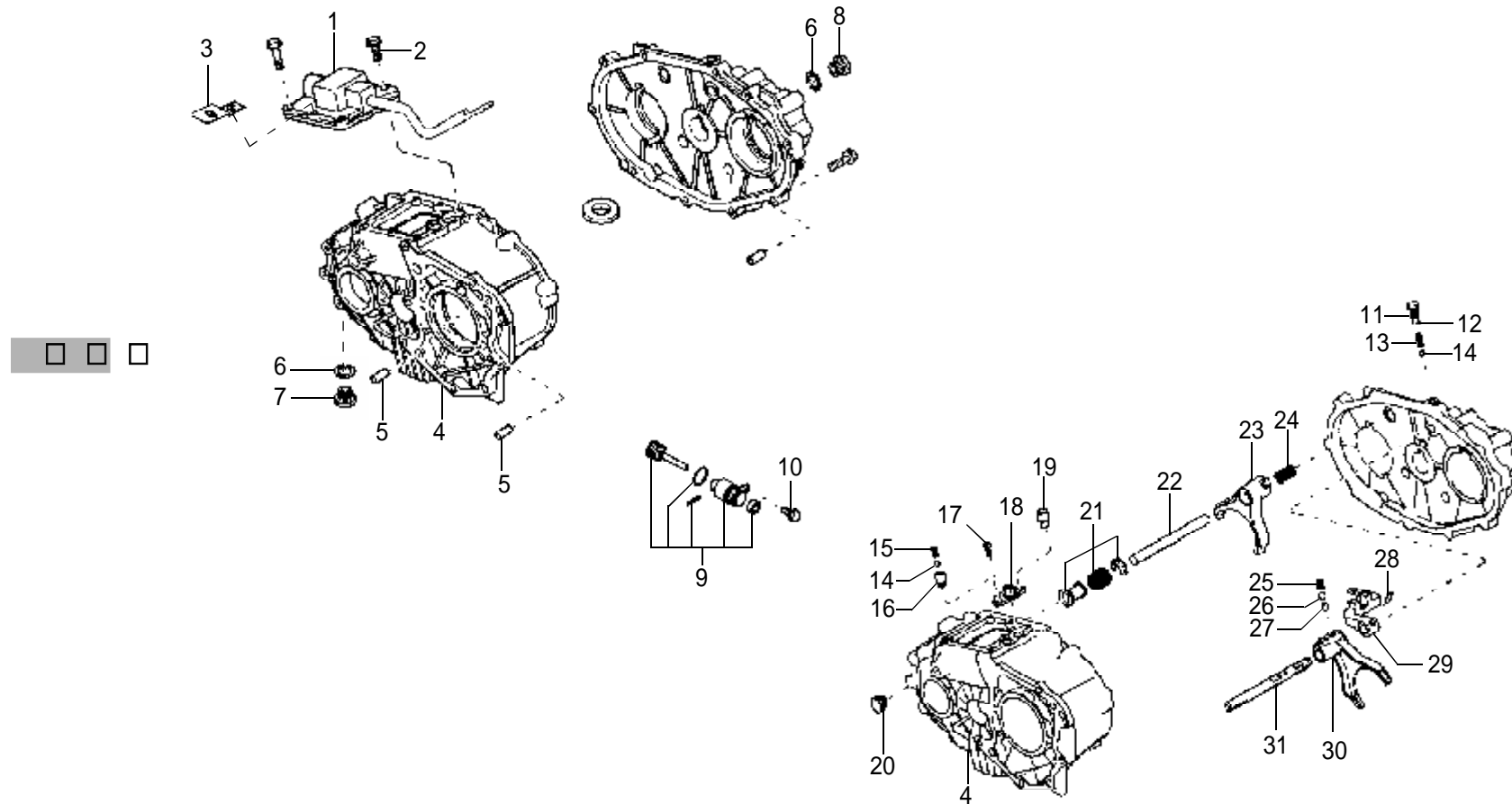


变速器——韩齿（六） TRANSMISSION -- HANSHIN (6)

序号 S/N	零部件代号(OEM) PART CODE	零部件名称 PART NAME	用量 QTY	变速器厂家 TRANSMISSION FACTORY	备注 REMARK
1	GK67A174140	第一, 二档换挡叉 1 ST 2 ND SHIFTING FORK	1	韩齿 HANSHIN	
2	GK67A174120	第三, 四档换挡叉 3 RD 4 TH SHIFTING FORK	1	韩齿 HANSHIN	
3	GCH01174060	第五, 倒档换挡叉 5 TH REVERSE SHIFTING FORK	1	韩齿 HANSHIN	
4	GK71E17413D	第一, 二档换挡杆 1 ST 2 ND GEAR SHIFT LEVER	1	韩齿 HANSHIN	
5	GPD96174110	第三, 四档换挡杆 3 RD 4 TH GEAR SHIFT LEVER	1	韩齿 HANSHIN	
6	GK71E17421B	第五, 倒档换挡杆 5 TH GEAR SHIFT LEVER	1	韩齿 HANSHIN	
7	GCH01174150	第一, 二档换挡端 1 ST 2 ND SHIFTING PIN	1	韩齿 HANSHIN	
8	GCH01174160	第三, 四档换挡端 3 RD 4 TH SHIFTING PIN	1	韩齿 HANSHIN	
9	G992220525	换挡叉弹簧销 SHIFTING FORK SPRING PIN	3	韩齿 HANSHIN	
10	G992220522	换挡端弹簧销 SHIFTING END SPRING PIN	2	韩齿 HANSHIN	
11	G996112500	钢球 STEEL BALL	3	韩齿 HANSHIN	
12	GK71E17422B	弹簧 SPRING	2	韩齿 HANSHIN	
13	GK71E17422A	弹簧 SPRING	1	韩齿 HANSHIN	
14	G0114173510	互锁销 INTERLOCK PIN	2	韩齿 HANSHIN	
15	GRA01174150	互锁销 INTERLOCK PIN	1	韩齿 HANSHIN	
16	CH0217430	变速杆固定座 GEAR LEVER SEAT	1	韩齿 HANSHIN	
17	GCH02174700	变速杆总成 GEAR LEVER ASSEMBLY	1	韩齿 HANSHIN	
18	GCH01174960	密配合螺栓 REAMER BOLT (GEAR LEVER ANCHOR BOLT)	2	韩齿 HANSHIN	变速杆固定螺栓
19	G431234Y000	变速器配线支架 TRANSMISSION WIRE CARRIER	1	韩齿 HANSHIN	
20	G9H6920825	控制器总成固定螺栓 CONTROLLER ASSEMBLY ANCHOR BOLT	6	韩齿 HANSHIN	
21	GCH01174800	变速杆倒档定位槽总成 GEAR LEVER REVERSE LOCATING SLOT ASSEMBLY	1	韩齿 HANSHIN	



变速器——韩齿（七） TRANSMISSION — HANSHIN (7)



变速器——韩齿（七） TRANSMISSION -- HANSHIN (7)

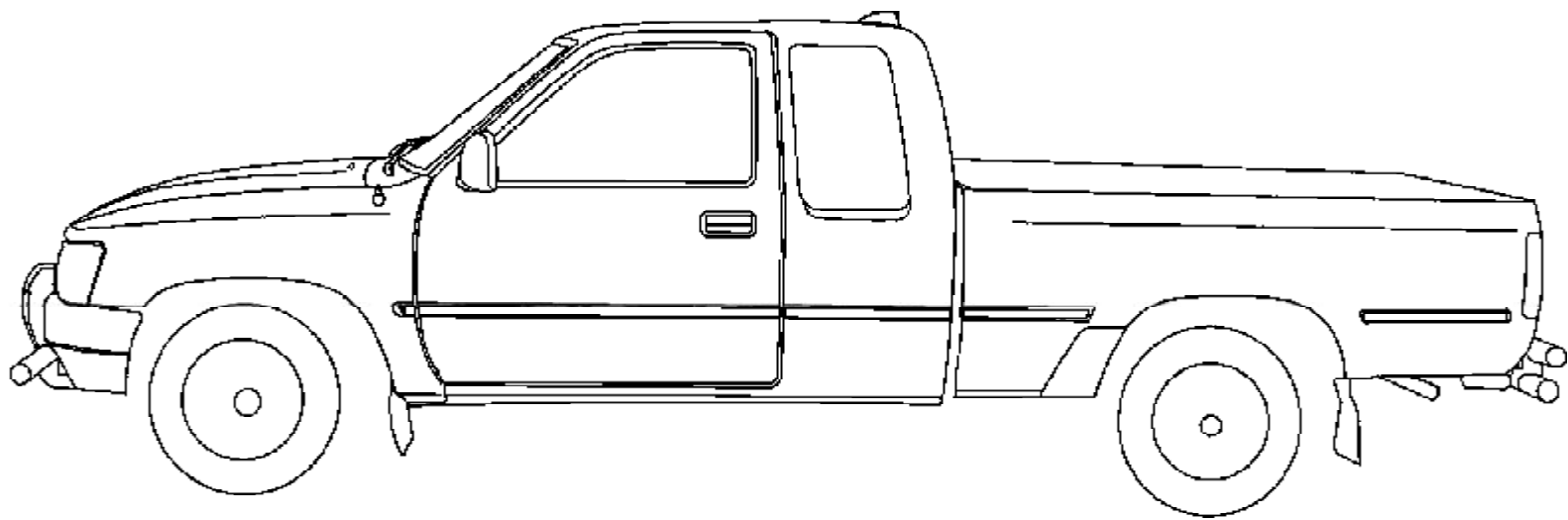
序号 NO	零部件代号(OEM) PART CODE	零部件名称 PART NAME	用量 QTY	变速器厂家 TRANSMISSION FACTORY	备注 REMARK
1	CH0217910	分动杆固定座 TRANSFER LEVER SEAT	1	韩齿 HANSHIN	
	CH0217910B	分动杆固定座 TRANSFER LEVER SEAT (GENERATION)		韩齿 HANSHIN	改进型
2	G9H6920825	控制器总成固定螺栓 CONTROLLER ASSEMBLY ANCHOR BOLT	4	韩齿 HANSHIN	
3	G431234Y000	变速器配线支架 TRANSMISSION WIRE CARRIER	1	韩齿 HANSHIN	
4	CH0217911	分动器前箱体 TRANSFER CASE FRONT CASE	1	韩齿 HANSHIN	
5	992331222	顶出销子 KNOCK PIN	2	韩齿 HANSHIN	
6	G995641800	磁性螺栓垫片 MAGNETIC BOLT BACKING	2	韩齿 HANSHIN	
7	K71E17122	磁性螺塞 MAGNETIC PLUG (OIL DRAIN PLUG)	1	韩齿 HANSHIN	放油塞
8	K71E17123	螺塞 PLUG (OIL FILLER PLUG)	1	韩齿 HANSHIN	加油塞
9	GK67A174000	里程表从动轮总成 ODOMETER DRIVEN WHEEL ASSEMBLY	1	韩齿 HANSHIN	
10	G997960616	变速杆倒档定位槽固定螺栓 GEAR LEVER REVERSE LOCATING SLOT ANCHOR BOLT	1	韩齿 HANSHIN	
11	K67B17974A	有头弹簧 SPRING WITH HEAD	1	韩齿 HANSHIN	
12	995641400	垫片 BACKING	1	韩齿 HANSHIN	
13	K71K17959	弹簧 SPRING	1	韩齿 HANSHIN	
14	996112500	滚珠 NEARING BALL	2	韩齿 HANSHIN	
15	K67B17956	弹簧 SPRING	6	韩齿 HANSHIN	
16	K67B17977	导正销 GUIDE PIN	1	韩齿 HANSHIN	
17	998080614	套筒螺栓 SOCKET BOLT	2	韩齿 HANSHIN	
18	K67B17958A	盘内锁止 LOCK IN PLATE	1	韩齿 HANSHIN	
19	K67B17976	销 PIN	1	韩齿 HANSHIN	
20	995101600	塞堵 PLUG	1	韩齿 HANSHIN	



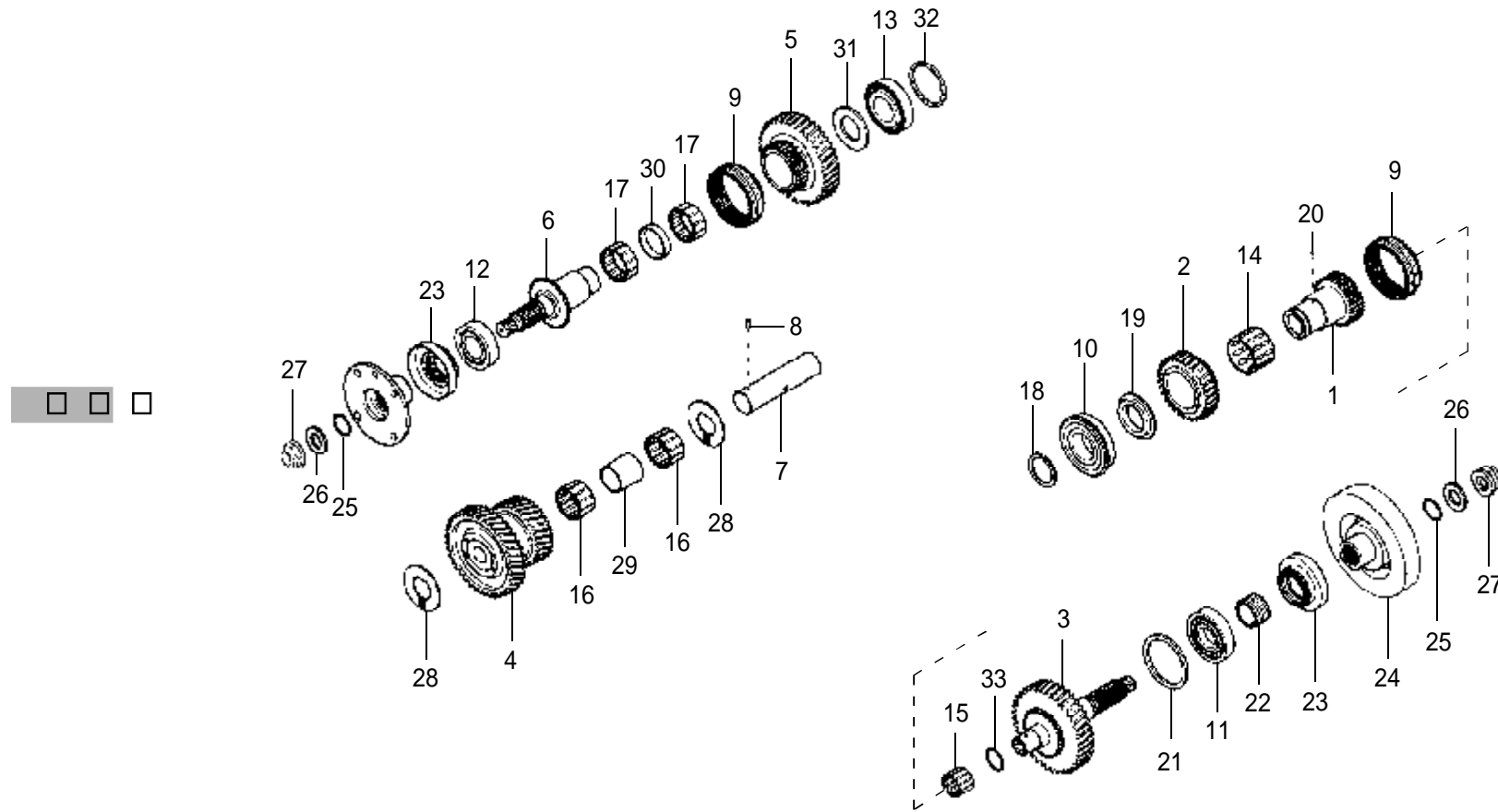
变速器——韩齿（七） TRANSMISSION --HANSHIN (7)


序号 NO	零部件代号(OEM) PART CODE	零部件名称 PART NAME	用量 QTY	变速器厂家 TRANSMISSION FACTORY	备注 REMARK	
21	K67B17980	垫圈/弹簧组件 BACKING RING / SPRING ASSEMBLY	1	韩齿 HANSHIN		
22	K67B17961A	2、4 档换档杆 2 ND 4 TH GEAR SHIFT LEVER	1	韩齿 HANSHIN		
23	K67B17964B	2、4 档换档叉 2 ND 4 TH GEAR SHIFT LEVER	1	韩齿 HANSHIN		
24	K67B17962	弹簧 SPRING	1	韩齿 HANSHIN		
25	K67B17955	弹簧 SPRING	1	韩齿 HANSHIN		
26	996113000	滚珠 BEARING BALL	1	韩齿 HANSHIN		
27	M50117954	内锁止销 INNER LOCK STOP PIN	1	韩齿 HANSHIN		
28	992220530	弹簧销 SPRING PIN	1	韩齿 HANSHIN		
<input type="checkbox"/>	29	K67B1952A	换档接线 GEAR SHIFTING WIRING	1	韩齿 HANSHIN	
	30	K67B17953B	换档叉高/低 GEAR FORK HIGH / LOW	1	韩齿 HANSHIN	
	31	CH0217951	换档杆高/低 GEAR SHIFT LEVER HIGH / LOW	1	韩齿 HANSHIN	

每天进步一点点



变速器——韩齿（八） TRANSMISSION— HANSHIN (8)



 每天进步一点点

变速器——韩齿（八） TRANSMISSION-- HANSHIN (8)

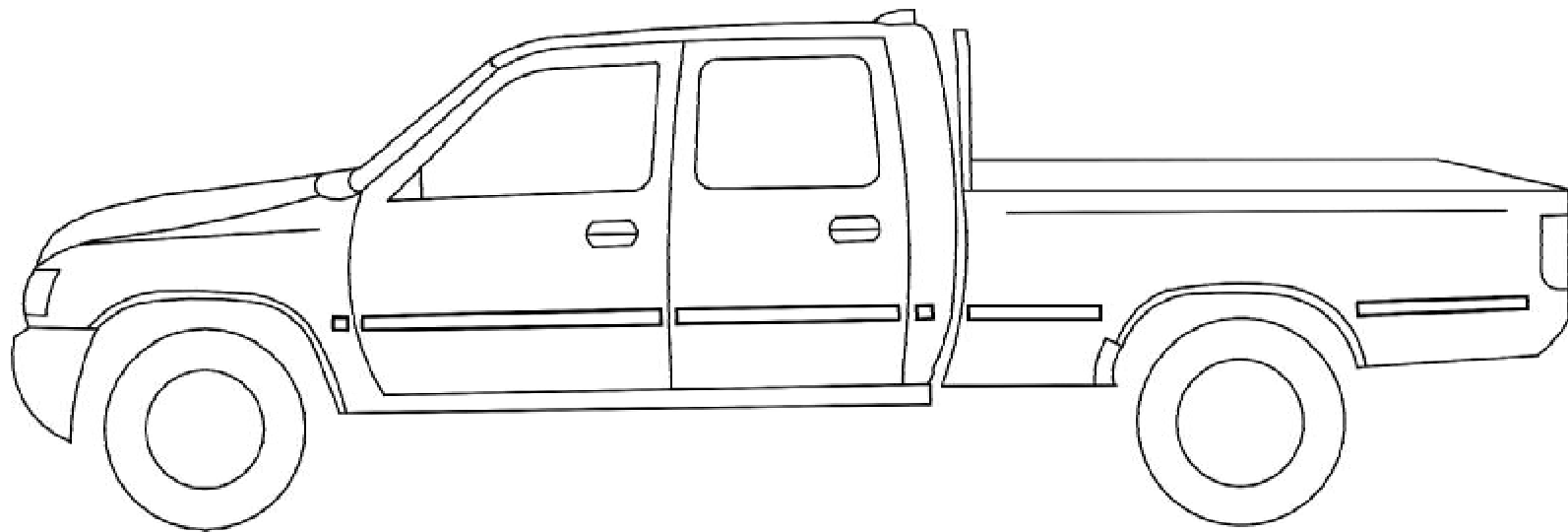
序号 S/N	零部件代号(OEM) PART CODE	零部件名称 PART NAME	用量 QTY	变速器厂家 TRANSMISSION FACTORY	备注 REMARK
1	K67B17921B	分动器输入轴 TRANSFER CASE INPUT SHAFT	1	韩齿 HANSHIN	
2	CH0217922	低齿轮组件 LOW GEAR ASSEMBLY	1	韩齿 HANSHIN	
3	CH0217926	后输入轴 REAR INPUT SHAFT	1	韩齿 HANSHIN	
4	CH0217930	分动器怠速齿轮件 TRANSFER CASE IDLING GEAR	1	韩齿 HANSHIN	
5	CH0217942	4WD 齿轮 4WD GEAR	1	韩齿 HANSHIN	
6	CH0217946	前输入轴 FRONT INPUT SHAFT	1	韩齿 HANSHIN	
7	CH0217934	怠速齿轮轴 IDLING GEAR SHAFT	1	韩齿 HANSHIN	
8	K61617323	滚筒销 CYLINDER PIN	1	韩齿 HANSHIN	
9	K67B17929	分动器套筒 TRANSFER CASE CYLINDER	2	韩齿 HANSHIN	
10	K67B17903	球形轴承 BALL BEARING	1	韩齿 HANSHIN	
11	K63B19205	球形轴承 BALL BEARING	1	韩齿 HANSHIN	
12	K67B17905	滚子轴承 ROLLER BEARING	1	韩齿 HANSHIN	
13	W50117204	滚子轴承 ROLLER BEARING	1	韩齿 HANSHIN	
14	K67B17938	分动器输入轴轴承 TRANSFER CASE INPUT SHAFT BEARING	1	韩齿 HANSHIN	
15	072717210A	滚针轴承 NEEDLE BEARING	1	韩齿 HANSHIN	
16	K61619252	滚针轴承 NEEDLE BEARING	2	韩齿 HANSHIN	
17	K01117943	滚针轴承 NEEDLE BEARING	2	韩齿 HANSHIN	
18	K67B17902A	弹簧卡簧 SPRING CIRCLIP	1	韩齿 HANSHIN	
19	CH0217928	垫圈 BACKING RING	1	韩齿 HANSHIN	
20	996111500	滚珠 BEARING BALL	1	韩齿 HANSHIN	
21	995747200	固定簧 ANCHOR SPRING	1	韩齿 HANSHIN	
22	K60A17341	主动齿轮 DRIVE GEAR	1	韩齿 HANSHIN	



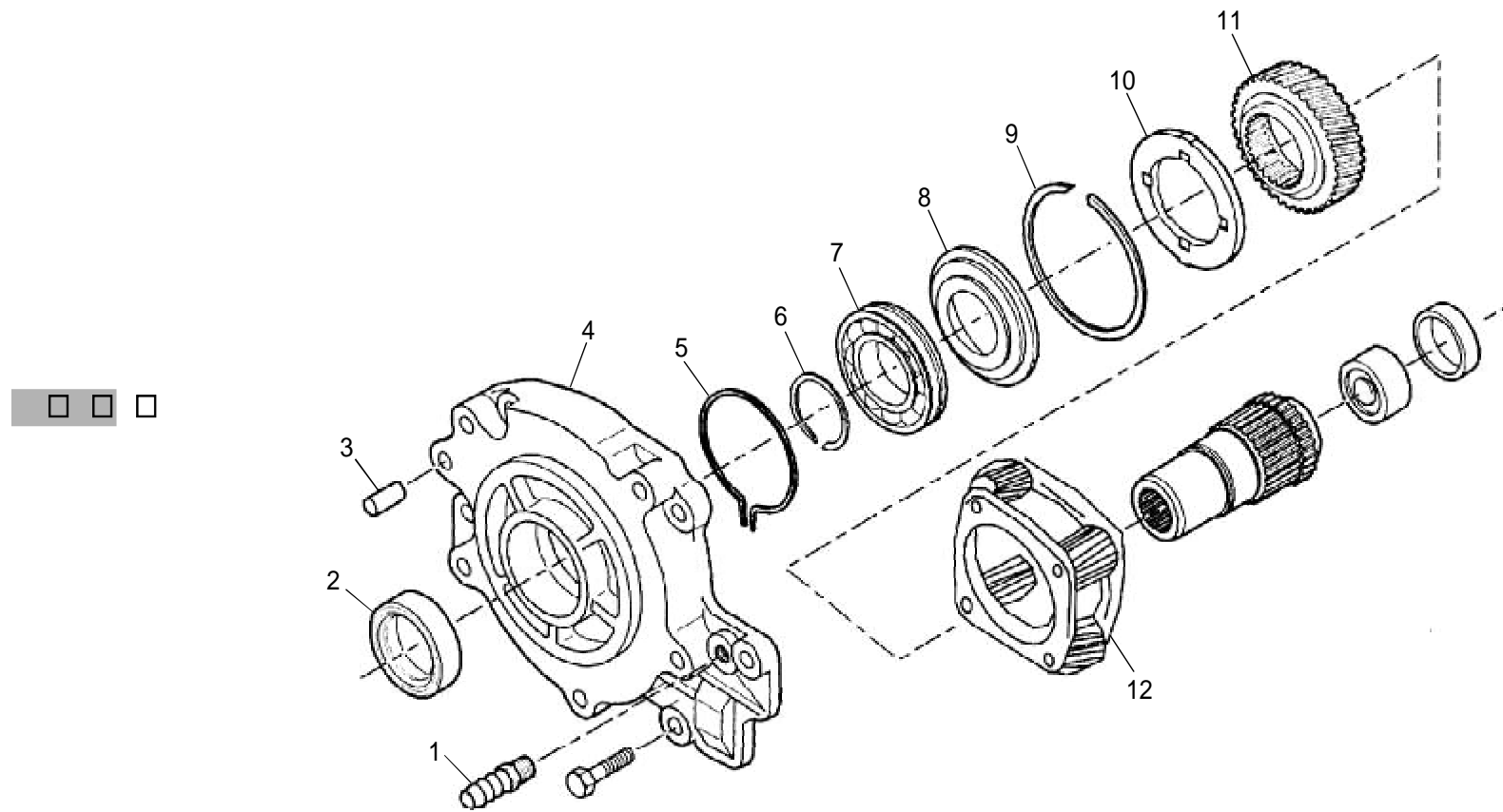
变速器——韩齿（八） TRANSMISSION --HANSHIN (8)


序号 S/N	零部件代号(OEM) PART CODE	零部件名称 PART NAME	用量 QTY	变速器厂家 TRANSMISSION FACTORY	备注 REMARK
23	K71E17336A	分动器输出轴油封 TRANSFER CASE OUTPUT SHAFT OIL SEAL	2	韩齿 HANSHIN	
24	CH0217355	法兰盖 FLANGE CAP	1	韩齿 HANSHIN	
25	9954102401	O 型圈 “O” RING	2	韩齿 HANSHIN	
26	K71E17012	盘垫圈 PLATE BACKING RING	2	韩齿 HANSHIN	
27	CH0217989	锁止螺母 LOCK BOLT	2	韩齿 HANSHIN	
28	K67B17983	垫圈 THRUST WASHER	2	韩齿 HANSHIN	
29	CH0217273	轴承衬垫 BEARING SPACER	1	韩齿 HANSHIN	
30	K67B17935	轴承衬垫 BEARING SPACER	1	韩齿 HANSHIN	
<input type="checkbox"/>	<input type="checkbox"/>	<input type="checkbox"/> 31 K67B17927 垫圈 THRUST WASHER	1	韩齿 HANSHIN	
		32 99963S6310 调节垫片 ADJUSTING GASKET	1	韩齿 HANSHIN	
		33 K67B17863 油封 OIL SEAL (REAR INPUT SHAFT FRONT OIL SEAL)	1	韩齿 HANSHIN	后输入轴前油封





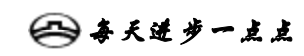
分动器——博格华纳（一）TRANSFER CASE— BW (1)



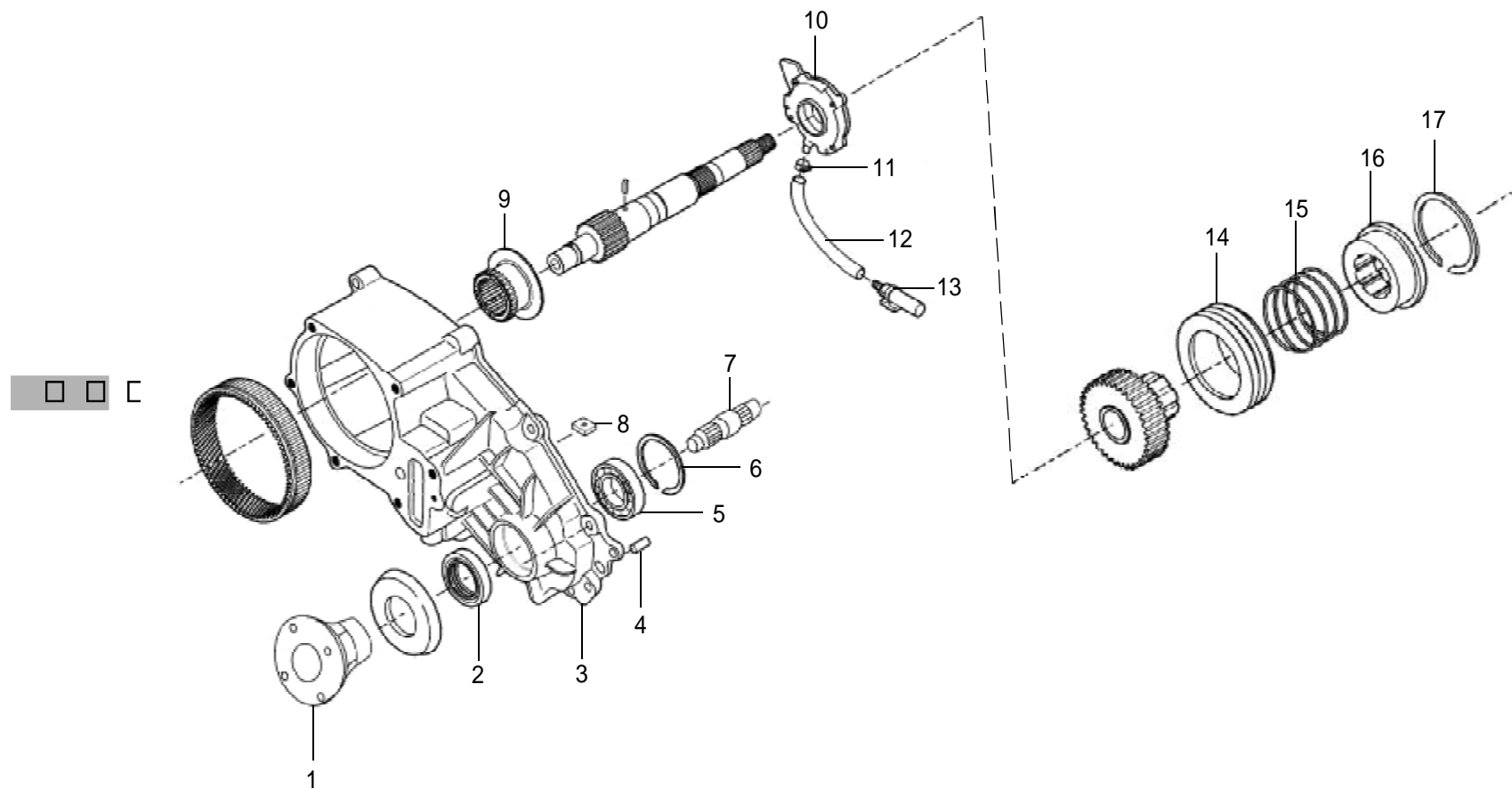
 每天进步一点点

分动器——博格华纳（一）TRANSFER CASE --BW (1)

序号 S/N	零部件代号 PART CODE	零部件名称 PART NAME	用量 QTY	分动器厂家 TRANSMISSION FACTORY	备注 REMARK
	1802100-F01	分动器总成 TRANSFER CASE ASSEMBLY	1	博格华纳 BW	电控四驱 ELECTRICALLY- CONTROLLED 4WD
1	1800040-SY	通气阀 BREATHER VALVE	6	博格华纳 BW	
2	1802021-SY	后输出轴油封 OUTPUT SHAFT OIL SEAL	1	博格华纳 BW	
3	1800013-SY	前端盖固定销 FRONT END CAP ANCHOR PIN	1	博格华纳 BW BW	
4	1800012-SY	前端盖 FRONT END CAP	1	博格华纳 BW	
5	1802041-SY	输入轴卡环 INPUT SHAFT RETAINER RING	1	博格华纳 BW	
6	1802044-SY	输入轴轴承卡环 INPUT BEARING RETAINER RING	1	博格华纳 BW	
7	1802043-SY	输入轴轴承 INPUT BEARING	1	博格华纳 BW	
8	1802042-SY	输入轴前轴承止推环 INPUT SHAFT FRONT BEARING THRUST WASHER	1	博格华纳 BW	
9	1802033-SY	止推盘卡环 THRUST PLATE RETAINER RING	1	博格华纳 BW	
10	1802032-SY	太阳轮止推盘 SUN GEAR THRUST PLATE	1	博格华纳 BW	
11	1802031-SY	太阳轮 SUN GEAR	1	博格华纳 BW	
12	1802030-SY	行星架总成 PLANET CARRIER ASSEMBLY	1	博格华纳 BW	



分动器——博格华纳（二）TRANSFER CASE— BW (2)



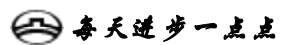
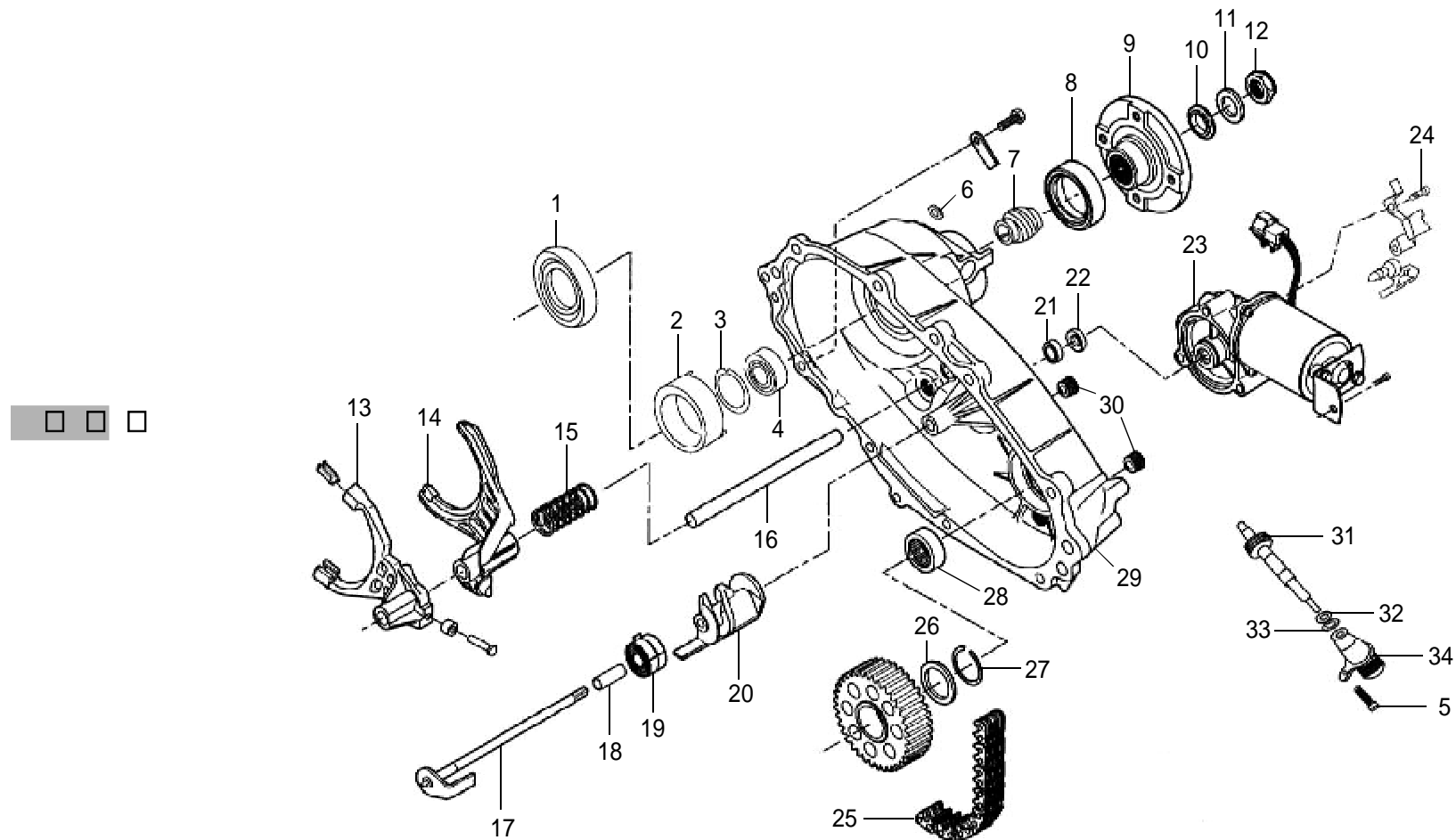
每天进步一点点

分动器——博格华纳（二）TRANSFER CASE-- BW (2)

序号 S/N	零部件代号 PART CODE	零部件名称 PART NAME	用量 QTY	分动器厂家 TRANSMISSION FACTORY	备注 REMARK
1	1802018-SY	前法兰盘 FRONT FLANGE PLATE	1	博格华纳 BW	电控四驱 ELECTRICALLY- CONTROLLED 4WD
2	1802021-SY	后输出轴油封 OUTPUT SHAFT OIL SEAL	1	博格华纳 BW	
3	1800010-SY	分动器壳体总成 TRANSFER CASE BODY ASSEMBLY	1	博格华纳 BW	
4	1800011-SY	定位弹性销 LOCATING ELASTIC PIN	2	博格华纳 BW	
5	1802011-SY	输出轴前轴承 OUTPUT SHAFT FRONT BEARING	1	博格华纳 BW	
6	1804023-SY	离合线圈卡环 CLUTCH SOLENOID RETAINER RING	1	博格华纳 BW	
7	1802012-SY	输出轴 OUTPUT SHAFT	1	博格华纳 BW	
8	1800031-SY	磁铁 MAGNETIC IRON	1	博格华纳 BW	
9	1802045-SY	齿套(减速齿毂) TOOTH CASE (BRAKING TOOTH HUB)	1	博格华纳 BW	
10	1804020-SY	转子泵总成 DRUM PUMP ASSEMBLY	1	博格华纳 BW	
11	1802062-SY	油泵到过滤器软管卡子 THE CLIP FROM OIL PUMP TO FILTER HOSE	1	博格华纳 BW	
12	1802061-SY	油泵到过滤器软管 FROM OIL PUMP TO FILTER HOSE	1	博格华纳 BW	
13	1802060-SY	润滑油滤清器 OIL FILTER	1	博格华纳 BW	
14	1804028-SY	换挡锁止套 SHIFT LOCK CASE	1	博格华纳 BW	
15	1804029-SY	换挡接合套回位弹簧 GEAR SHIFT JOINT CASE RETURN SPRING	1	博格华纳 BW	
16	1804027-SY	换挡接合套 GEAR SHIFT JOINT CASE	1	博格华纳 BW	
17	1804031-SY	换挡接合套卡环 GEAR SHIFT JOINT CASE RETAINER RING	1	博格华纳 BW	



分动器——博格华纳（三）TRANSFER CASE— BW (3)



分动器——博格华纳（三）TRANSFER CASE --BW (3)

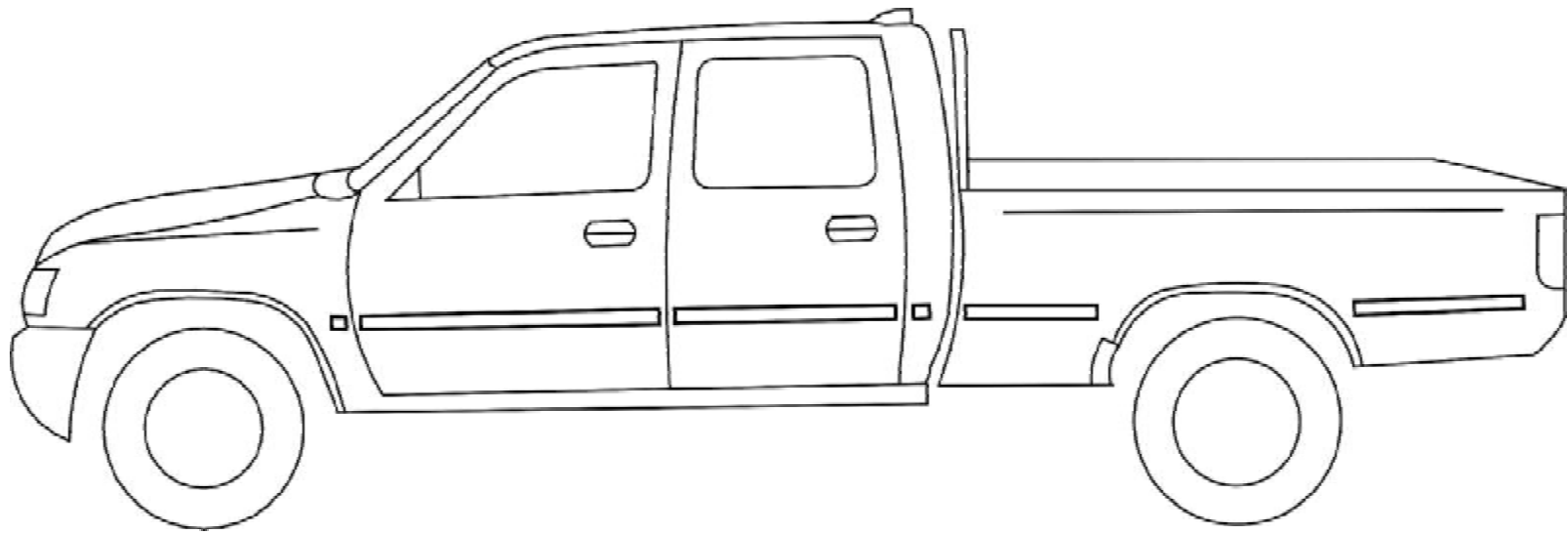
序号 S/N	零部件代号 PART CODE	零部件名称 PART NAME	用量 QTY	分动器厂家 TRANSMISSION FACTORY	备注 REMARK
1	1804021-SY	电磁离合器壳体 MAGNETIC CLUTCH HOUSING	1	博格华纳 BW	电控四驱 ELECTRICALLY-CONTROLLED 4WD
2	1804022-SY	电磁线圈 ELECTROMAGNETIC COILER	1	博格华纳 BW	
3	1802023-SY	后输出轴轴承卡环 REAR OUTPUT SHAFT BEARING RETAINER RING	1	博格华纳 BW	
4	1802022-SY	后输出轴轴承 REAR OUTPUT SHAFT BEARING	1	博格华纳 BW	
5	1802057-SY	里程表从动齿轮压板固定螺栓 ODOMETER DRIVEN GEAR CLAMP ANCHOR BOLT	1	拨格华纳 BW	
6	1804024-SY	电磁离合器固定螺母 MAGNETIC CLUTCH ANCHOR NUT	1	博格华纳 BW	
7	1802052-SY	里程表主动齿轮 ODOMETER DRIVE GEAR	1	博格华纳 BW	
8	1802021-SY	后输出轴油封 REAR OUTPUT SHAFT OIL SEAL	1	博格华纳 BW	
9	1802019-SY	后法兰盘 REAR FLANGE PLATE	1	博格华纳 BW	
10	1802013-SY	前(后)输出轴法兰盘密封圈 FRONT (REAR) OUTPUT SHAFT FLANGE PLATE SEAL RING	1	博格华纳 BW	
11	1802014-SY	前(后)输出轴法兰盘平垫圈 FRONT (REAR) OUTPUT SHAFT FLANGE PLATE FLAT WASHER	1	博格华纳 BW	
12	1802015-SY	前(后)输出轴法兰盘固定螺母 FRONT (REAR) OUTPUT SHAFT FLANGE PLATE ANCHOR NUT	1	博格华纳 BW	
13	1803010-SY	高低档拨叉总成 HIGH AND LOW SHIFT FORK ASSEMBLY	1	博格华纳 BW	
14	1803011-SY	拨叉总成 SHIFT FORK ASSEMBLY	1	博格华纳 BW	
15	1804026-SY	换挡导轨回位弹簧 GEAR SHIFT GUIDE SHAFT RETURN SPRING	1	博格华纳 BW	
16	1804025-SY	换挡导轨 GEAR SHIFT GUIDE SHAFT	1	博格华纳 BW	
17	1803012-SY	换挡轴 SHIFTING SHAFT	1	博格华纳 BW	
18	1803014-SY	换挡导轨垫片 GEAR SHIFT GUIDE SHAFT BACKING	1	博格华纳 BW	
19	1803013-SY	换挡轴弹簧 SHIFTING SHAFT SPRING	1	博格华纳 BW	



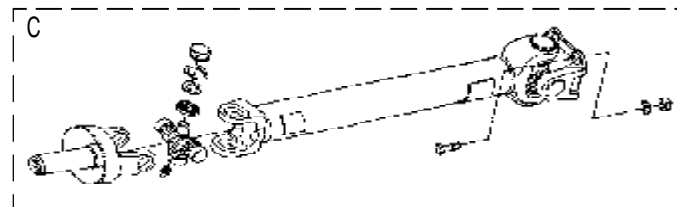
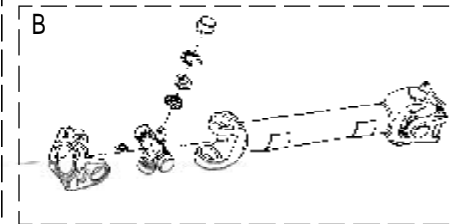
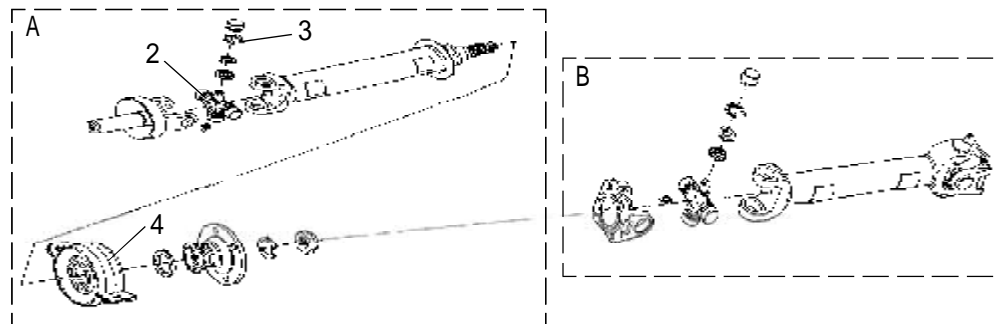
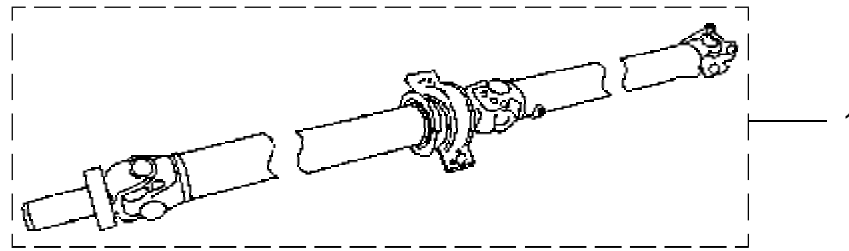
分动器——博格华纳（三） TRANSFER CASE --BW (3)

序号 S/N	零部件代号 PART CODE	零部件名称 PART NAME	用量 QTY	分动器厂家 TRANSMISSION FACTORY	备注 REMARK
20	1803015-SY	换挡凸板 GEAR SHIFT RAISED BOARD	1	博格华纳 BW	电控四驱 ELECTRICALLY- CONTROLLED 4WD
21	1803017-SY	换挡轴支承轴承 SHIFTING SHAFT BEARER BEARING	1	博格华纳 BW	
22	1803016-SY	换挡轴油封 SHIFTING SHAFT OIL SEAL	1	博格华纳 BW	
23	1804030-SY	马达总成 MOTOR ASSEMBLY	1	博格华纳 BW	
24	3624022-SY	速度传感器固定螺栓 VELOCITY SENSOR ANCHOR BOLT	1	博格华纳 BW	
25	1802070-SY	传动链条 DRIVING CHAIN	1	博格华纳 BW	
26	1802024-SY	从动齿轮垫片 DRIVEN GEAR BACKING	1	博格华纳 BW	
27	1802016-SY	输出轴卡环 OUTPUT SHAFT RETAINER RING	1	博格华纳 BW	
28	1802017-SY	前输出轴后滚针轴承 FRONT OUTPUT SHAFT BACK NEEDLE BEARING	1	博格华纳 BW	
29	1800020-SY	分动器后盖 TRANSFER CASE REAR CAP	1	博格华纳 BW	
30	1800030-SY	加(放)油塞 OIL FILLER (DRAIN) PLUG	2	博格华纳 BW	
31	1802054-SY	里程表从动齿轮 ODOMETER DRIVEN GEAR (20 TOOTH)	1	博格华纳 BW	
32	1802051-SY	里程表从动齿轮油封 ODOMETER DRIVEN GEAR OIL SEAL	1	博格华纳 BW	
33	1802053-SY	里程表从动齿轮 O 型圈 ODOMETER DRIVEN GEAR "O" RING	1	博格华纳 BW	
34	1802055-SY	里程表从动齿轮轴套 ODOMETER DRIVEN GEAR BUSHING	1	博格华纳 BW	





传动轴总成（一） PROPELLER SHAFT ASSEMBLY (1)

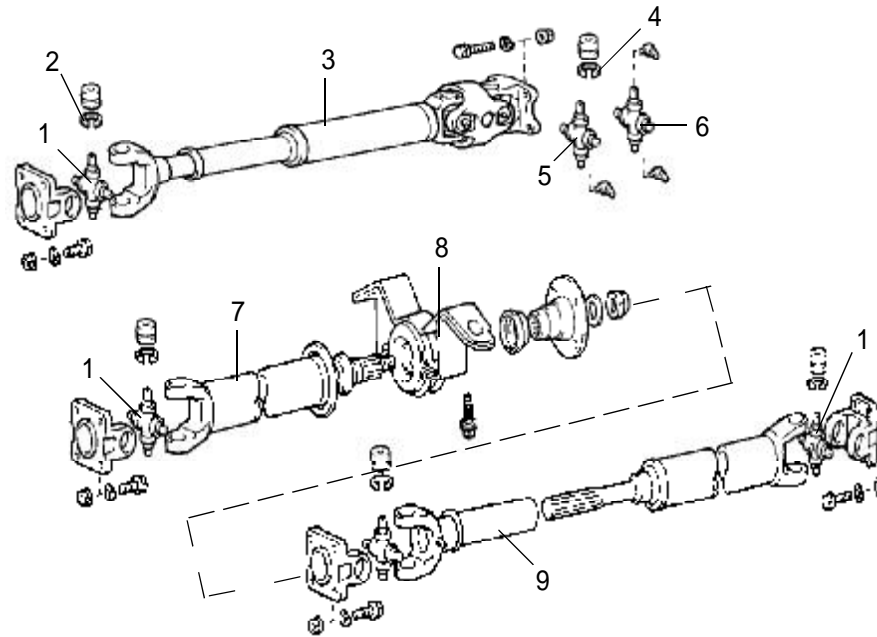


传动轴总成（一） PROPELLER SHAFT ASSEMBLY (1)

序号 S/N	零部件代号 PART CODE	零部件名称 PART NAME	用量 QTY	适用车型 VEHICLE APPLICABLE TO	备注 REMARK
A	2201110-D01	传动轴前节总成 FRONT SECTION ASSEMBLY, PROPELLER SHAFT (STANDARD CAB)	1	D22 D43 D44 D50 D66	标准双排
	2201110-D17	后桥传动轴前节总成 FRONT SECTION ASSEMBLY, PROPELLER SHAFT,REAR AXLE		D23 D46	
B	2201140-D01	传动轴后节总成 PROPELLER SHAFT REAR SECTION ASSEMBLY (STANDARD CAB)	1	D22 D43 D44	标准双排
	2201140-D17	后桥传动轴后节总成 PROPELLER SHAFT REAR SECTION ASSEMBLY ,REAR AXLE		D23 D46	
C	2201100-D05	传动轴总成 PROPELLER SHAFT ASSEMBLY (SMALL SINGLE CAB)	1	D49	小单排
1	2201100-D01	传动轴总成 PROPELLER SHAFT ASSEMBLY (INTEGRATED TYPE,MADE IN HANGZHOU)	1	D01 D16 D43 D50 D62 D66	一体式 杭州
	2201100-D04	后桥传动轴总成 PROPELLER SHAFT ASSEMBLY,REAR AXLE		D06 D21	
	2201100-D06	后桥传动轴总成 PROPELLER SHAFT ASSEMBLY,REAR AXLE		D04 D19	
	2201100-D17	传动轴总成 PROPELLER SHAFT ASSEMBLY (INTEGRATED TYPE, LARGE DOUBLE CAB,MADE IN HANGZHOU)		D02 D17 D63 D65	一体式 大双 杭州
	2201100-D75	传动轴总成 PROPELLER SHAFT ASSEMBLY (INTEGRATED TYPE)		D03 D18 D64 D75	一体式
2	2201116-D01	十字轴 SPIDER	3	D01 D02 D03 D22 D23 D24 D50 D66 D65	φ 29
	2201116-D01-B1	十字轴 SPIDER			φ 30
	2201116-D01-C1	十字轴 SPIDER (FUAO)	2	D01 D02 D03 D50 D65 D66	富奥
3	2201121-D01	十字轴卡簧 SPIDER SNAP RING	6	D01 D02 D03 D22 D23 D24 D50 D65 D66	
4	2201120-D01	中间支承总成 PROPELLER SHAFT INTERMEDIATE MOUNT ASSEMBLY	1	D22 D23 D24 D50 D66	



传动轴总成（二） PROPELLER SHAFT ASSEMBLY (2)



传动轴总成（二） PROPELLER SHAFT ASSEMBLY (2)

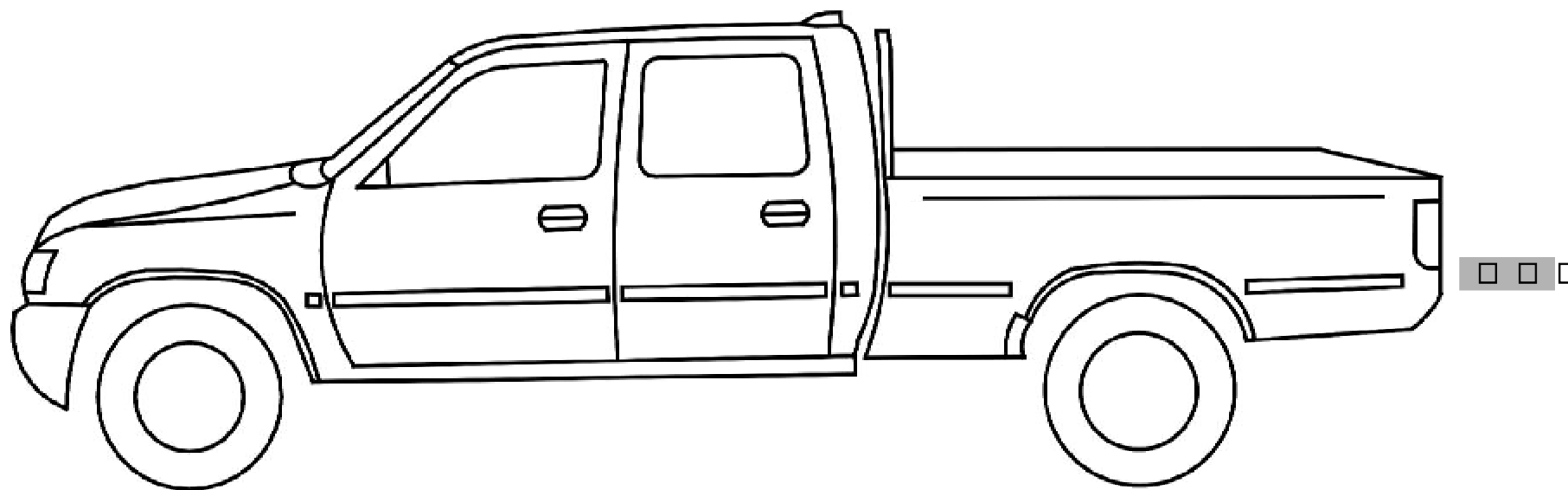
序号 S/N	零部件代号 PART CODE	零部件名称 PART NAME	用量 QTY	适用车型 VEHICLE APPLICABLE TO	备注 REMARK
1	2203103-D07	十字轴 SPIDER (4WD,FRONT DRIVE FRONT PART)	4	D07 D08 D14 D15 D28 D30 D34 D36	四驱前传前部
2	2203101-D07	十字轴卡簧 SPIDER SNAP RING (4WD,FRONT CIR-CLIP)	2	D07 D08 D14 D15 D28 D30 D34 D36	四驱前卡簧
3	2203100-D07-B1	前桥传动轴总成 PROPELLER SHAFT ASSEMBLY,FRONT AXLE (KOREAN TRANSFER CASE)	1	D07 D08 D14 D15 D28 D30 D34 D36	韩国分动器
	2203100-D07	前桥传动轴总成 PROPELLER SHAFT ASSEMBLY,FRONT AXLE (ELECTRICALLY CONTROL LED)		D07 D08	电控
4	2203102-D07	十字轴卡簧 SPIDER SNAP RING (4WD BACK CIR-CLIP)	2	D07 D08 D14 D15 D28 D30 D34 D36	四驱后卡簧
5	2203105-D07	十字轴 SPIDER (4WD FRONT DRIVE BACK PART, SINGLE NOZZLE TIP)	1	D07 D08 D14 D15 D28 D30 D34 D36	四驱前传后部、 单油嘴
6	2203104-D07	十字轴 SPIDER (4WD FRONT DRIVE BACK PART, DOUBLE NOZZLE TIP)	1	D07 D08 D14 D15 D28 D30 D34 D36	四驱前传后部、 双油嘴
7	2201110-D07-B1	后桥传动轴前节总成 PROPELLER SHAFT FRONT SECTION ASSEMBLY,REAR AXLE (KOREAN TRANSFER CASE)	1	D07 D14 D28 D34	韩国分动器
	2201110-D07	后桥传动轴前节总成 PROPELLER SHAFT FRONT SECTION ASSEMBLY,REAR AXLE (ELECTRICALLY CONTROLLED)		D07	电控
	2201110-D08	后桥传动轴前节总成 PROPELLER SHAFT FRONT SECTION ASSEMBLY,REAR AXLE (KOREAN TRANSFER CASE)		D08 D15 D30 D36	韩国分动器
	2201110-D08-B1	后桥传动轴前节总成 PROPELLER SHAFT FRONT SECTION ASSEMBLY,REAR AXLE (ELECTRICALLY CONTROLLED)		D08	电控
8	2201120-D07	中间支承总成 PROPELLER SHAFT INTERMEDIATE MOUNT ASSEMBLY (ELECTRICALLY CONTROLLED)	1	D07	电控
	2201220-D07	中间支承总成 PROPELLER SHAFT INTERMEDIATE MOUNT ASSEMBLY (KOREAN TRANSFER CASE)			韩国分动器
9	2201140-D07-B1	后桥传动轴后节总成 PROPELLER SHAFT REAR SECTION ASSEMBLY,REAR AXLE (KOREAN TRANSFER CASE)	1	D07 D14 D28 D34	韩国分动器



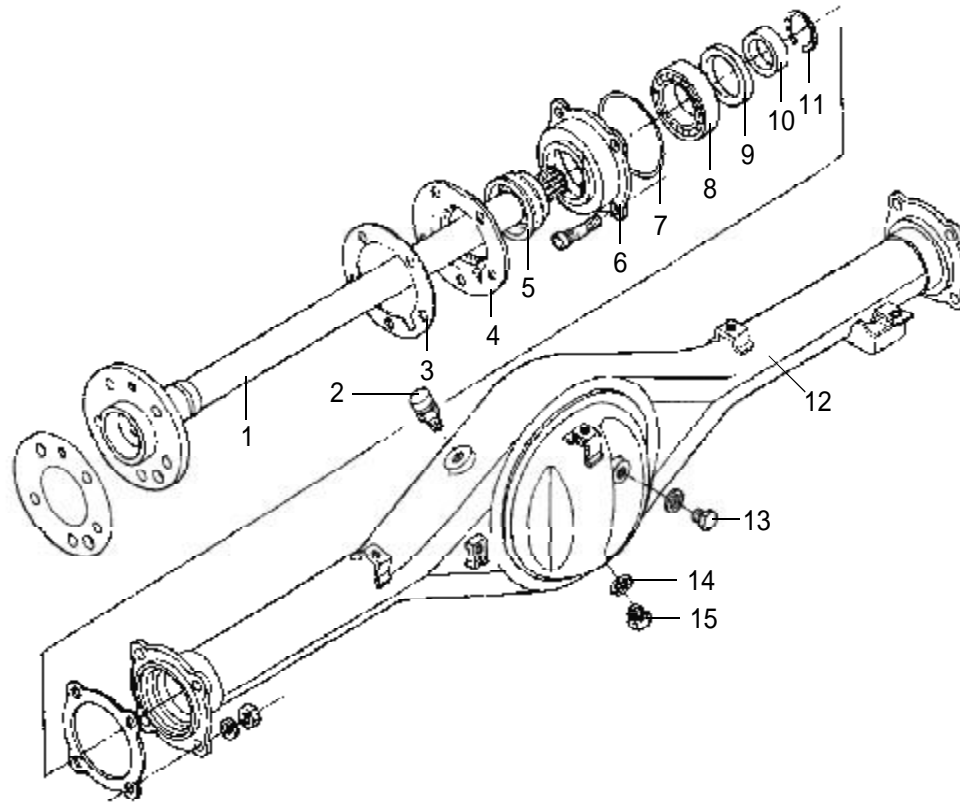
传动轴总成（二） PROPELLER SHAFT ASSEMBLY (2)

序号 S/N	零部件代号 PART CODE	零部件名称 PART NAME	用量 QTY	适用车型 VEHICLE APPLICABLE TO	备注 REMAR
9	2201140-D07	后桥传动轴后节总成 PROPELLER SHAFT REAR SECTION ASSEMBLY,REAR AXLE (ELECTRICALLY CONTROLLED)	1	D07	电控
	2201140-D08	后桥传动轴后节总成 PROPELLER SHAFT REAR SECTION ASSEMBLY,REAR AXLE (KOREAN TRANSFER CASE)		D08 D15 D30 D36	韩国分动器
	2201140-D08-B1	后桥传动轴后节总成 PROPELLER SHAFT REAR SECTION ASSEMBLY,REAR AXLE (ELECTRICALLY CONTROLLED)		D08	电控





后桥壳及半轴 REAR AXLE HOUSING AND AXLE SHAFT



后桥壳及半轴 REAR AXLE HOUSING AND AXLE SHAFT

序号 S/N	零部件代号 PART CODE	零部件名称 PART NAME	用量 QTY	适用车型 VEHICLE APPLICABLE TO	备注 REMARK
	2400000-D01-A1	后桥总成 REAR AXLE ASSEMBLY (FRONT-MOUNTED HAND BRAKE,STANDARD CAB)	1	D01 D22 D43 D44 D50 D65	前置手刹 小双
	2400000-D01-B1	后桥总成 REAR AXLE ASSEMBLY (MID-SHIP HAND BRAKE, STANDARD CAB)			中置手刹 小双
	2400000-D02-A1	后桥总成 REAR AXLE ASSEMBLY (FRONT-MOUNTED HAND BRAKE,LARGE DOUBLE CAB)		D02	前置手刹 大双
	2400000-D02-B1	后桥总成 REAR AXLE ASSEMBLY (MID-SHIP HAND BRAKE, LARGE DOUBLE CAB)			中置手刹 大双
	2400000-D04-A1	后桥总成 REAR AXLE ASSEMBLY (FRONT-MOUNTED HAND BRAKE,MIDDLE DOUBLE CAB)		D04	中双 前置手刹
	2400000-D03	后桥总成 REAR AXLE ASSEMBLY (MIDDLE DOUBLE CAB, MID-SHIP HAND BRAKE)		D03	中双 中置手刹
	2400000-D16-A1	后桥总成 REAR AXLE ASSEMBLY (DIESEL ENGINE 4D28, STANDARD CAB, FRONT-MOUNTED HAND BRAKE)		D16	4D28 小双 柴油 前置手刹
	2400000-D16-B1	后桥总成 REAR AXLE ASSEMBLY (DIESEL ENGINE 4D28, STANDARD CAB, MID-SHIP HAND BRAKE)			4D28 小双 柴油 中置手刹
	2400000-D17-A1	后桥总成 REAR AXLE ASSEMBLY (DIESEL ENGINE 4D28, LARGE DOUBLE CAB, FRONT-MOUNTED HAND BRAKE)		D17	4D28 大双前置手刹
	2400000-D17-B1	后桥总成 REAR AXLE ASSEMBLY (DIESEL ENGINE 4D28, LARGE DOUBLE CAB, MID-SHIP HAND BRAKE)			4D28 大双中置手刹
	2400000-D19-A1	后桥总成 REAR AXLE ASSEMBLY (DIESEL ENGINE 4D28, MIDDLE DOUBLE CAB, FRONT-MOUNTED HAND BRAKE)		D19	4D28 中双前置手刹
	2400000-D18	后桥总成 REAR AXLE ASSEMBLY (DIESEL ENGINE 4D28, MIDDLE DOUBLE CAB, MID-SHIP HAND BRAKE)		D18	4D28 中双中置手刹
	2400000-D62-B1	后桥总成 REAR AXLE ASSEMBLY (DIESEL ENGINE 4L28, STANDARD CAB, MID-SHIP HAND BRAKE)		D62	4L68 小双 柴油 中置手刹
	2400000-D21-A1	后桥总成 REAR AXLE ASSEMBLY (LARGE SINGLE CAB, FRONT-MOUNTED HAND BRAKE)		D21	大单 前置手刹



后桥壳及半轴 REAR AXLE HOUSING AND AXLE SHAFT

序号 S/N	零部件代号 PART CODE	零部件名称 PART NAME	用量 QTY	适用车型 VEHICLE APPLICABLE TO	备注 REMARK
	2400000-D64-B1	后桥总成 REAR AXLE ASSEMBLY (DIESEL ENGINE 4L28, MIDDLE DOUBLE CAB, MID-SHIP HAND BRAKE)	1	D64	4L68 中双 柴油 中置手刹
	2400000-D08-A1	后桥总成 REAR AXLE ASSEMBLY (LARGE DOUBLE CAB,4WD, FRONT-MOUNTED HAND BRAKE)		D08	大双 四驱 前置手刹
	2400000-D06-A1	后桥总成 REAR AXLE ASSEMBLY (LARGE SINGLE CAB, FRONT-MOUNTED HAND BRAKE)			大单 前置手刹
	2400000-D08-B1	后桥总成 REAR AXLE ASSEMBLY (LARGE DOUBLE CAB,4WD, MID-SHIP HAND BRAKE)		大双 四驱 中置手刹	
	2400000-D05-A1	后桥总成 REAR AXLE ASSEMBLY (SMALL SINGLE CAB, FRONT-MOUNTED HAND BRAKE)		D05	小单 前置手刹
	2400000-D72	后桥总成 REAR AXLE ASSEMBLY (LARGE DOUBLE CAB, TRAINING CAR, FRONT-MOUNTED HAND BRAKE)		D72	大双 低速前置手刹
	2400000-D72-B1	后桥总成 REAR AXLE ASSEMBLY (LARGE DOUBLE CAB, TRAINING CAR, MID-SHIP HAND BRAKE)			大双 低速中置手刹
	2400000-D74	后桥总成 REAR AXLE ASSEMBLY (MIDDLE DOUBLE CAB, TRAINING CAR, FRONT-MOUNTED HAND BRAKE)		D74	中双 低速前置手刹
	2400000-D74-B1	后桥总成 REAR AXLE ASSEMBLY (MIDDLE DOUBLE CAB, TRAINING CAR, MID-SHIP HAND BRAKE)			中双 低速中置手刹
	2400000-D08-B1	后桥总成 REAR AXLE ASSEMBLY (LARGE DOUBLE CAB, 4WD)		D08	大双 四驱
	2400000-D07-B1	后桥总成 REAR AXLE ASSEMBLY (STANDARD CAB, 4WD, MID-SHIP HAND BRAKE)		D07	小双 四驱中置手刹
	2400000-D07-A1	后桥总成 REAR AXLE ASSEMBLY (STANDARD CAB, 4WD, FRONT-MOUNTED HAND BRAKE)			小双 四驱前置手刹
	2400000-D70	后桥总成 REAR AXLE ASSEMBLY (TRAINING CAR, FRONT-MOUNTED HAND BRAKE, STANDARD CAB)		D70	低速,前置手刹,小双
	2400000-D70-B1	后桥总成 REAR AXLE ASSEMBLY (TRAINING CAR, MID-SHIP HAND BRAKE, STANDARD CAB)			低速,中置手刹,小双
1	2403101-D01	半轴 AXLE SHAFT (INVOLUTE SPLINE)	2	D01 D02 D03 D47 D48 D49 D50 D65	渐开线式花键

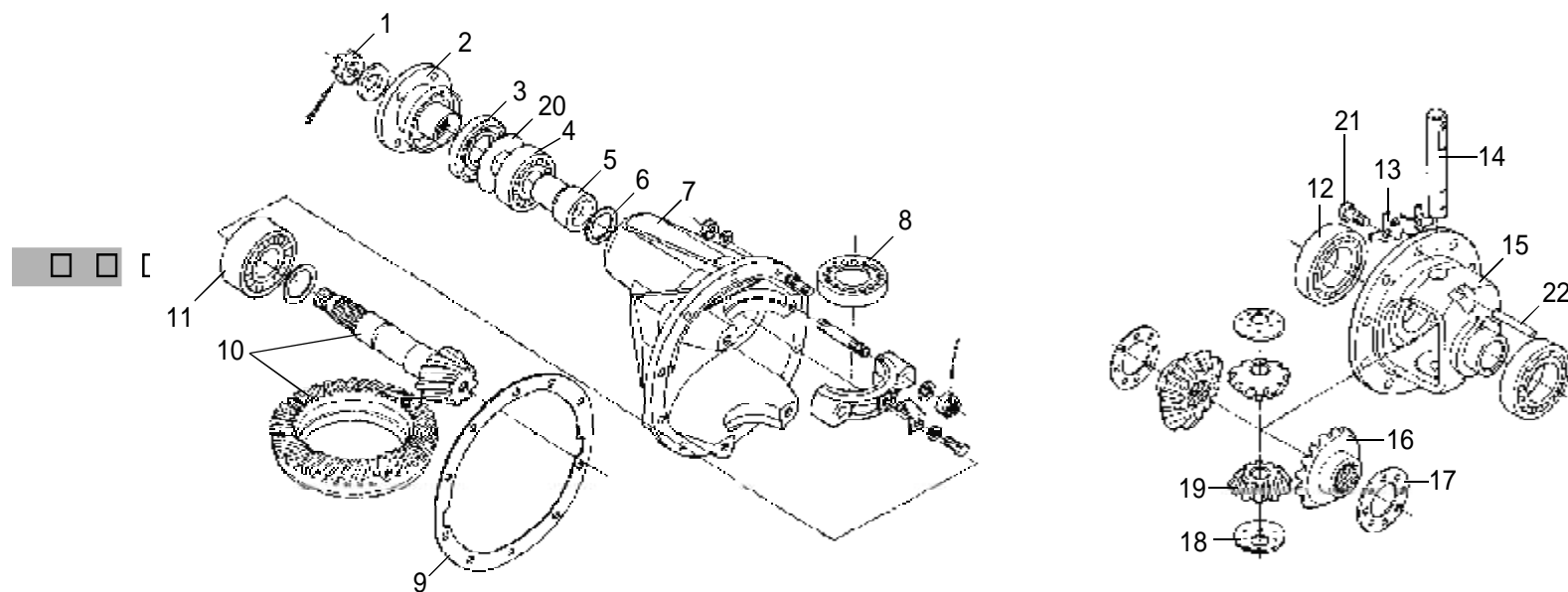


后桥壳及半轴 REAR AXLE HOUSING AND AXLE SHAFT

序号 S/N	零部件代号 PART CODE	零部件名称 PART NAME	用量 QTY	适用车型 VEHICLE APPLICABLE TO	备注 REMARK
2	2400030-D01	通气塞总成 BREATHER VALVE ASSEMBLY	1	D01 D02 D03 D22 D23 D24 D48 D49 D50 D65	
3	2403109-D01	挡油盘衬垫 GASKET, OIL RETAINER PAN	2		
4	2403108-D01	外油封挡油盘 OIL RETAINER PAN, OUTER OIL SEAL	2		
5	2403120-D01	后轮轴承外油封总成 OUTER OIL SEAL ASSEMBLY,REAR WHEEL BEARING	2		
6	2403102-D01	轴承座-后轮 BEARING SEAT,REAR WHEEL	2		
7	2403107-D01	O 型橡胶密封圈 O-RING	2		
8	4G18308	深沟球轴承 4G18308 GROOVED BALL BEARING	2		
9	2400050-D01	后轮轴承内油封总成 INNER OIL SEAL ASSEMBLY,REAR WHEEL BEARING	2		
10	2403105-D01	后轮轴承内油封座 INNER OIL SEAL SEAT,REAR WHEEL BEARING	2		
11	2403106-D01	轴用压扁钢丝挡圈 RETAINER RING ,SHAFT	2		
12	2401000-D07	后桥壳总成 REAR AXLE HOUSING ASSEMBLY (4WD,FRONT -MOUNTED HAND BRAKE)	1		D07 D16 D17 D18 D37 D38 D39
	2401000-D01	后桥壳总成 REAR AXLE HOUSING ASSEMBLY		D01 D02 D03 D22 D23 D24 D48 D49 D50 D65	
13	2400011-D01	加油塞 FILLING PLUG	1		
14	2400012-D01	垫圈 WASHER	2		
15	2400020-D01	放油塞 OIL DRAIN PLUG ASSEMBLY	1		



减速器及差速器总成 REDUCER & DIFFERENTIAL ASSEMBLY, REAR ALXE



每天进步一点点

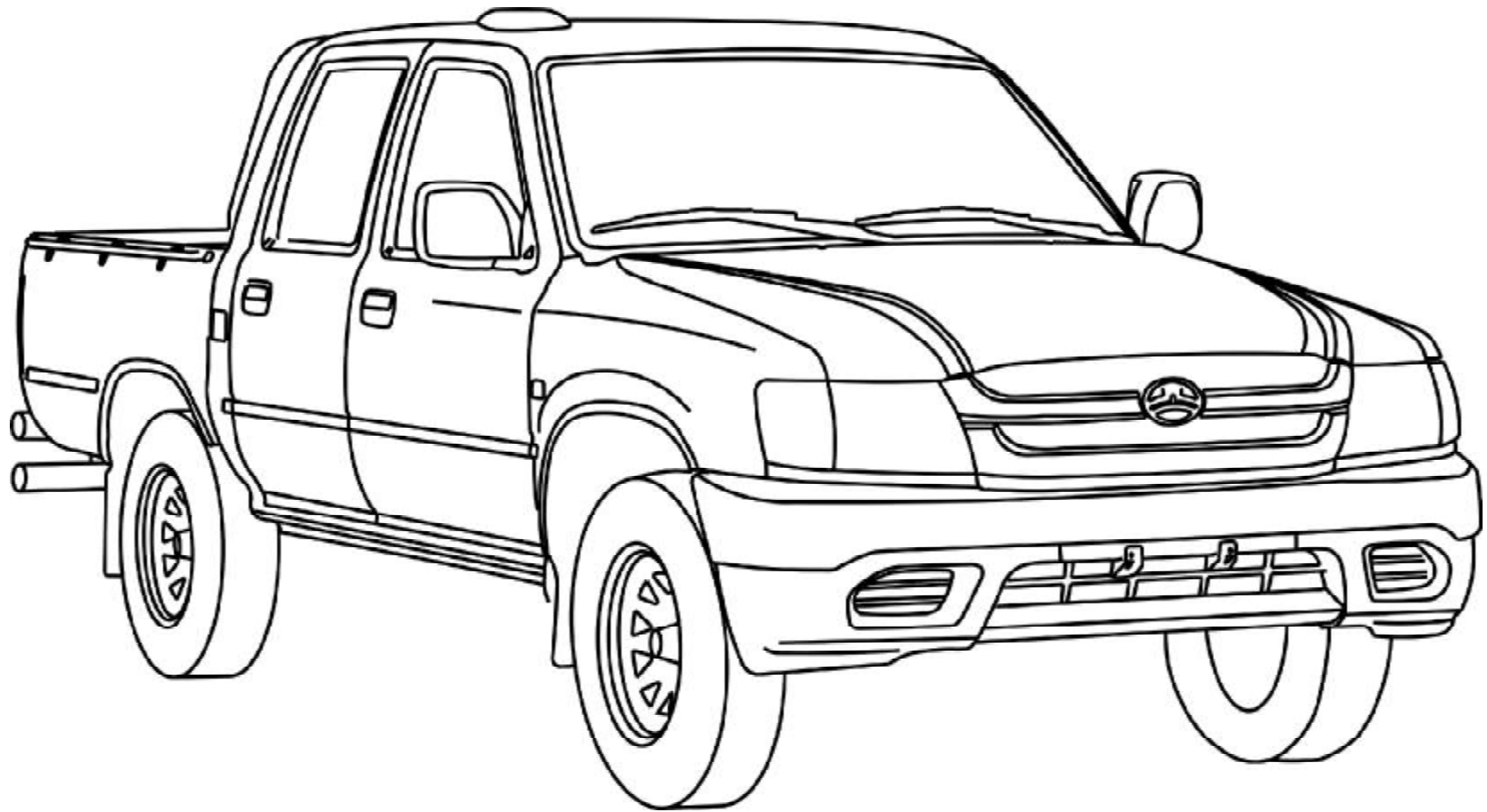
减速器及差速器总成 REDUCER & DIFFERENTIAL ASSEMBLY, REAR ALXE


序号 S/N	零部件代号 PART CODE	零部件名称 PART NAME	用量 QTY	适用车型 VEHICLE APPLICABLE TO	备注 REMARK
	2402000-D01	减速器及差速器总成 REDUCER & DIFFERENTIAL ASSEMBLY, REAR ALXE (STRAIGHT-SIDED SPLINE)	1	D01 D02 D03 D04 D06 D19 D21 D22 D23 D24 D48 D49 D50 D65	矩形花键
	2402000-D01-B1	减速器及差速器总成 REDUCER & DIFFERENTIAL ASSEMBLY, REAR ALXE (INVOLUTE SPLINE)			渐开线式花键
	2402000-D70	减速器及差速器总成 REDUCER & DIFFERENTIAL ASSEMBLY, REAR ALXE (INVOLUTE SPLINE,USED BY TRAINING CAR)		D70	渐开线式(教练车用)
	2402000-D16	减速器及差速器总成 REDUCER & DIFFERENTIAL ASSEMBLY, REAR ALXE (STRAIGHT-SIDED SPLINE)		D16 D17 D37	矩形花键
	2402000-D16-B1	减速器及差速器总成 REDUCER & DIFFERENTIAL ASSEMBLY, REAR ALXE (INVOLUTE SPLINE, MODEL 04)			渐开线式花键 04 款
1	2402021-D01	主动锥齿轮突缘螺母 NUT,DRIVE BEVEL GEAR FLANGE	1	D01 D02 D03 D04 D06 D19 D21 D22 D23 D24 D48 D49 D50 D65	
	2402021-D01-B1	主动锥齿轮突缘螺母 NUT,DRIVE BEVEL GEAR FLANGE (LOCKING BLADE)			锁片式
2	2402300-D01	主动锥齿轮突缘及挡尘罩总成 DRIVE BEVEL GEAR FLANGE & DUST COVER ASSEMBLY	1		
	2402300-D01-B1	主动锥齿轮突缘及挡尘罩总成 DRIVE BEVEL GEAR FLANGE & DUST COVER ASSEMBLY COVER ASSEMBLY(INVOLUTE SPLINE)			渐开线花键
3	2402200-D01	主动锥齿轮油封总成 OIL SEAL ASSEMBLY,DRIVE BEVEL GEAR	1		
4	30306	圆锥滚子轴承 30306 TAPER ROLLER BEARING 30306	1		
5	2402028-D01	主动锥齿轮轴承隔套 SPACER, DRIVE BEVEL GEAR BEARING	1		
6	2402029-D01	主动锥齿轮调整垫圈 ADJUSTING WASHER, DRIVE BEVEL GEAR	2		
7	2402002-D01	减速器外壳及压盖总成 HOUSING & PLATE ASSEMBLY,REDUCER	1		
8	2402026-D01	调整环 ADJUSTING RING	2		
9	2402031-D01	减速器壳垫密片 GASKET,REDUCER HOUSING	1		



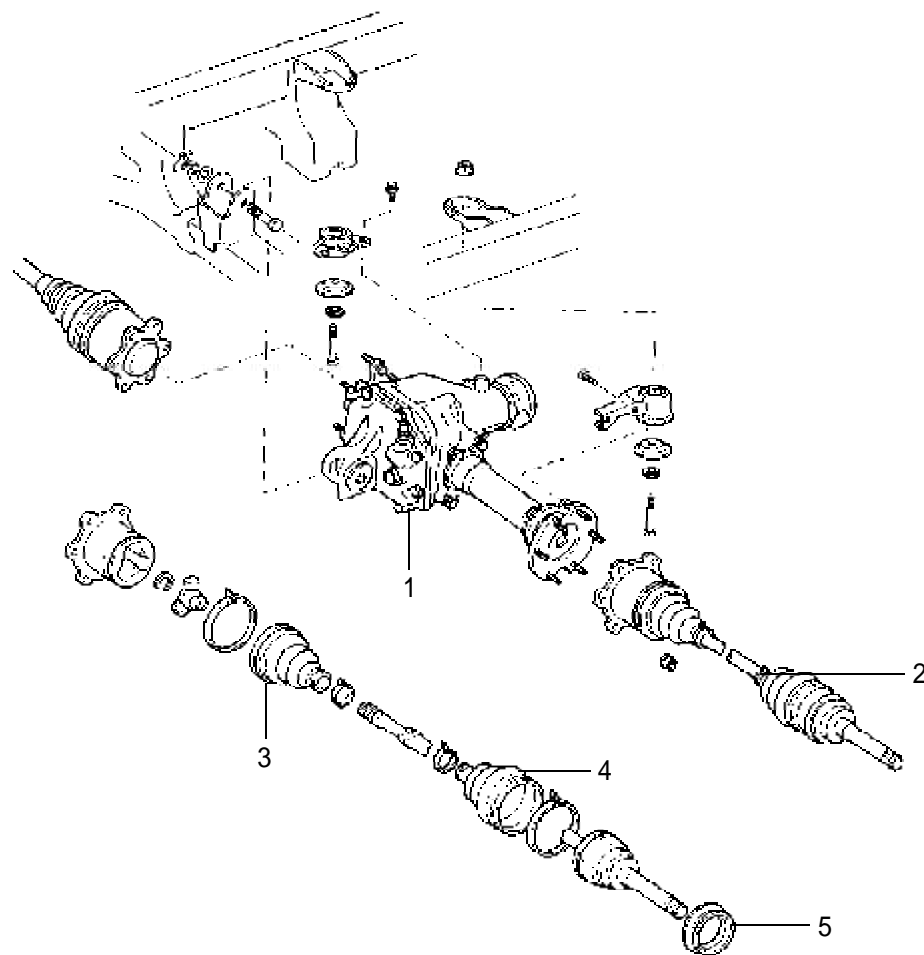
减速器及差速器总成 REDUCER & DIFFERENTIAL ASSEMBLY, REAR ALXE

序号 S/N	零部件代号 PART CODE	零部件名称 PART NAME	用量 QTY	适用车型 VEHICLE APPLICABLE TO	备注 REMARK	
10	2402100-D01	主从动锥齿轮总成 DRIVE & DRIVEN BEVEL GEAR ASSEMBLY (STRAIGHT-SIDED SPLINE)	1	D01 D02 D03 D04 D06 D19 D21 D22 D23 D24 D48 D49 D50 D65	矩形花键	
	2402100-D01-B1	主从动锥齿轮总成 DRIVE & DRIVEN BEVEL GEAR ASSEMBLY (INVOLUTE SPLINE)	1		渐开线式花键	
	2402100-D70	主从动锥齿轮总成 DRIVE & DRIVEN BEVEL GEAR ASSEMBLY	1	D70		
11	32307	圆锥滚子轴承 32307 TAPER ROLLER BEARING 32307	1	D01 D02 D03 D04 D06 D19 D21 D50 D65		
12	32009	圆锥滚子轴承 32009 TAPER ROLLER BEARING 32009	2			
13	2402022-D01	从动锥齿轮螺栓锁片 LOCKING PIECE,DRIVEN BEVEL GEAR BOLT	5			
14	2403016-D01	行星齿轮轴 PLANETARY-GEAR SHAFT	1			
15	2403011-D01	差速器壳 DIFFERENTIAL HOUSING	1			
16	2403012-D01	半轴齿轮 AXLE SHAFT GEAR (STRAIGHT-SIDED SPLINE)	2			矩形花键
	2403012-D01-B1	半轴齿轮 AXLE SHAFT GEAR (INVOLUTE SPLINE)				渐开线式
17	2403013-D01	半轴齿轮止推垫片 THRUST WASHER,AXLE SHAFT GEAR	2			
18	2403015-D01	行星齿轮止推垫片 THRUST WASHER,PLANETARY-GEAR	2			
19	2403014-D01	行星齿轮 PLANETARY GEAR	2			
20	2402302-D01	主动锥齿轮油封挡尘罩 DUST COVER,DRIVE BEVEL GEAR OIL SEAL	1	D01 D02 D03 D50 D65		
21	2402021-D01-B1	紧固葱动锥齿轮与差速器壳螺栓 BOLT,FIXING DRIVEN BEVEL GEAR AND DIFFERENTIAL HOUSING	9	D01 D02 D03 D50 D65	M11×1×22	
22	Q5220650	销 PIN	1		B6×50	



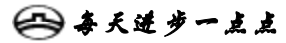
 每天进步一点点

前驱动桥总成 FRONT DRIVE AXLE ASSEMBLY



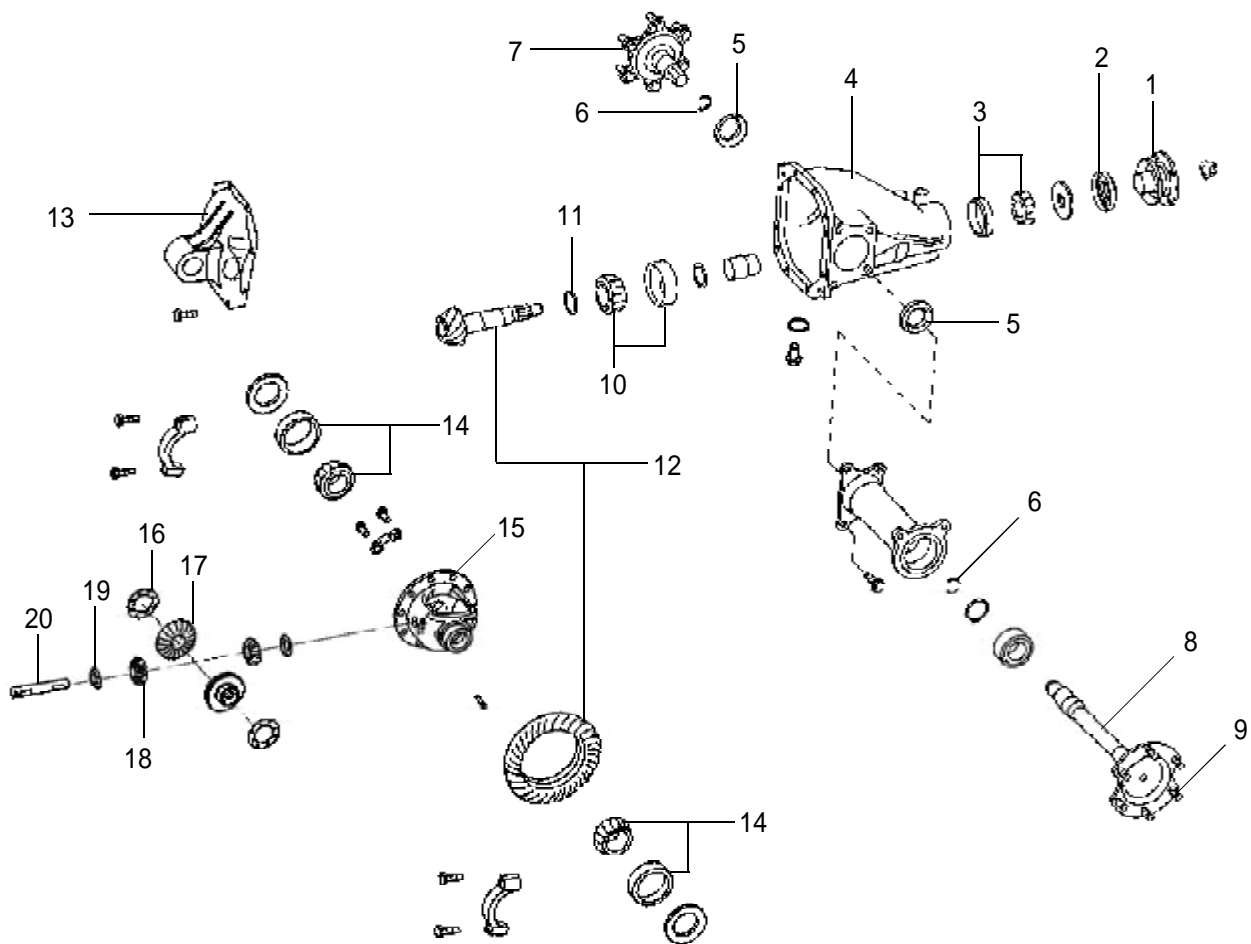
前驱动桥总成 FRONT DRIVE AXLE ASSEMBLY

序号 S/N	零部件代号 PART CODE	零部件名称 PART NAME	用量 QTY	适用车型 VEHICLE APPLICABLE TO	备注 REMARK
1	2302000-F01	前减速器及差速器总成 FRONT REDUCER & DIFFERENTIAL ASSEMBLY	1	D07 D08 D09 D28 D30 D34 D36	
2	3001200-F01-B1	等速驱动轴总成 CONSTANT VELOCITY DRIVE SHAFT ASSEMBLY	2		
3	3001213-F01	内球笼防尘罩 DUST COVER	2		
4	3001212-F01	外球笼防尘罩 DUST COVER	2		
5	3001100-F01	驱动轴内油封 INNER OIL SEAL,DRIVE SHAFT	2		



前减速器及差速器总成

FRONT REDUCER AND DIFFERENTIAL ASSEMBLY

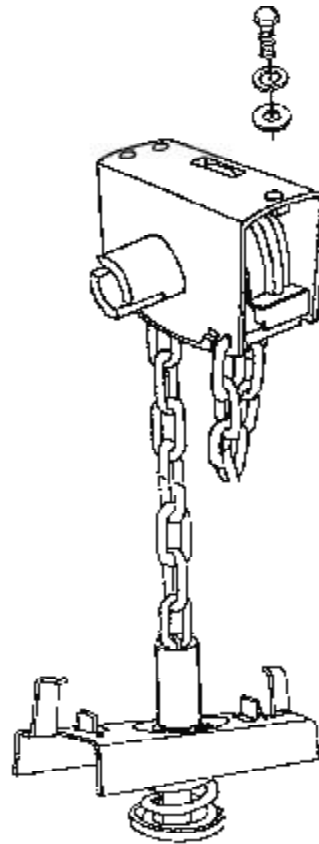


前减速器及差速器总成
FRONT REDUCER AND DIFFERENTIAL ASSEMBLY

序号 S/N	零部件代号 PART CODE	零部件名称 PART NAME	用量 QTY	适用车型 VEHICLE APPLICABLE TO	备注 REMARK
1	2302060-F01	主动锥齿轮突缘及挡尘罩总成 FLANGE & DUST COVER ASSEMBLY,DRIVE BEVEL GEAR	1	D07 D08 D09 D28 D30 D34 D36	
2	2302050-F01	主动锥齿轮油封 OIL SEAL , DRIVE BEVEL GEAR	1		
3	32307	圆锥滚子轴承 32307 TAPER ROLLER BEARING 32307	1		
4	2302020-F01	前减速器壳 FRONT DIFFERENTIAL HOUSING	1		
5	2303020-F01	前半轴油封 OIL SEAL, FRONT AXLE SHAFT	2		
6	2303015-F01	挡圈 Φ36 RETAINING RINGΦ36	1		
7	2303012-F01	前短半轴 FRONT SHORT HALF SHAFT	1		
8	2303011-F01	前长半轴 FRONT LONG HALF SHAFT	1		
9	2303013-F01	前半轴螺栓 BOLT,FRONT AXLE SHAFT	12		
10	31306	圆锥滚子轴承 31306 TAPER ROLLER BEARING 31306	1		
11	2302017-F01	差速器轴承调整垫片 ADJUSTING SHIM, DIFFERENTIAL BEARING	1		
12	2302070-F01	主从动锥齿轮总成 DRIVE & DRIVEN BEVEL GEAR ASSEMBLY	1		
13	2302031-F01	前减速器壳盖 FRONT DIFFERENTIAL HOUSING COVER	1		
14	50KB801	深沟球轴承 B36Z-10GROOVED BALL BEARING B36Z-10	2		
15	2303031-F01	前差速器壳 FRONT DIFFERENTIAL HOUSING	1		
16	2303033-F01	半轴齿轮止推垫圈 THRUST WASHER, AXLE SHAFT	2		
17	2303032-F01	半轴齿轮 AXLE SHAFT GEAR	2		
18	2303034-F01	行星齿轮 PLANETARY GEAR	2		
19	2303035-F01	行星齿轮止动垫片 THRUST WASHER,PLANETARY-GEAR	2		
20	2303036-F01	行星齿轮轴 PLANETARY-GEAR SHAFT	1		



备胎升降器总成 SPARE TIRE REGULATOR ASSEMBLY

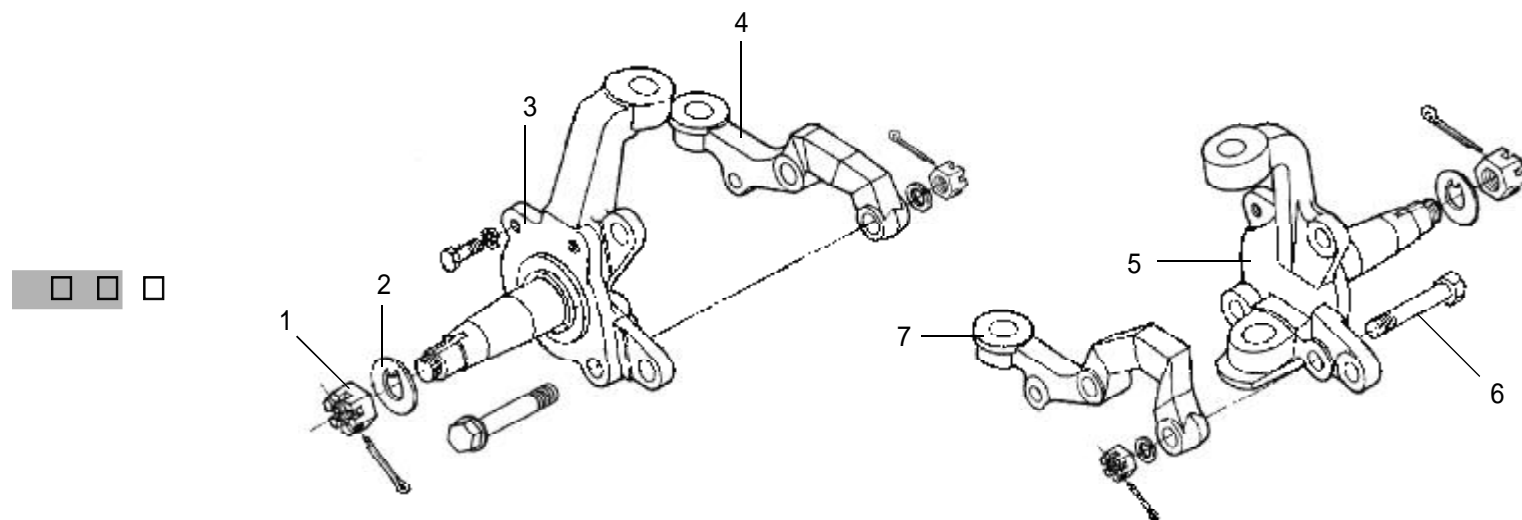


备胎升降器总成 SPARE TIRE REGULATOR ASSEMBLY

序号 S/N	零部件代号 PART CODE	零部件名称 PART NAME	用量 QTY	适用车型 VEHICLE APPLICABLE TO	备注 REMARK
	3105100-D01	备胎升降器总成 SPARE TIRE REGULATOR ASSEMBLY	1	D01 D02 D03 D04 D06 D16 D17 D18 D19 D21 D22 D23 D24 D45 D47 D48 D49 D50 D62 D63 D64 D65 D66 D75	
	3105100-F00	备胎升降器总成 SPARE TIRE REGULATOR ASSEMBLY		D07 D08	



转向节总成 STEERING KNUCKLE ASSEMBLY



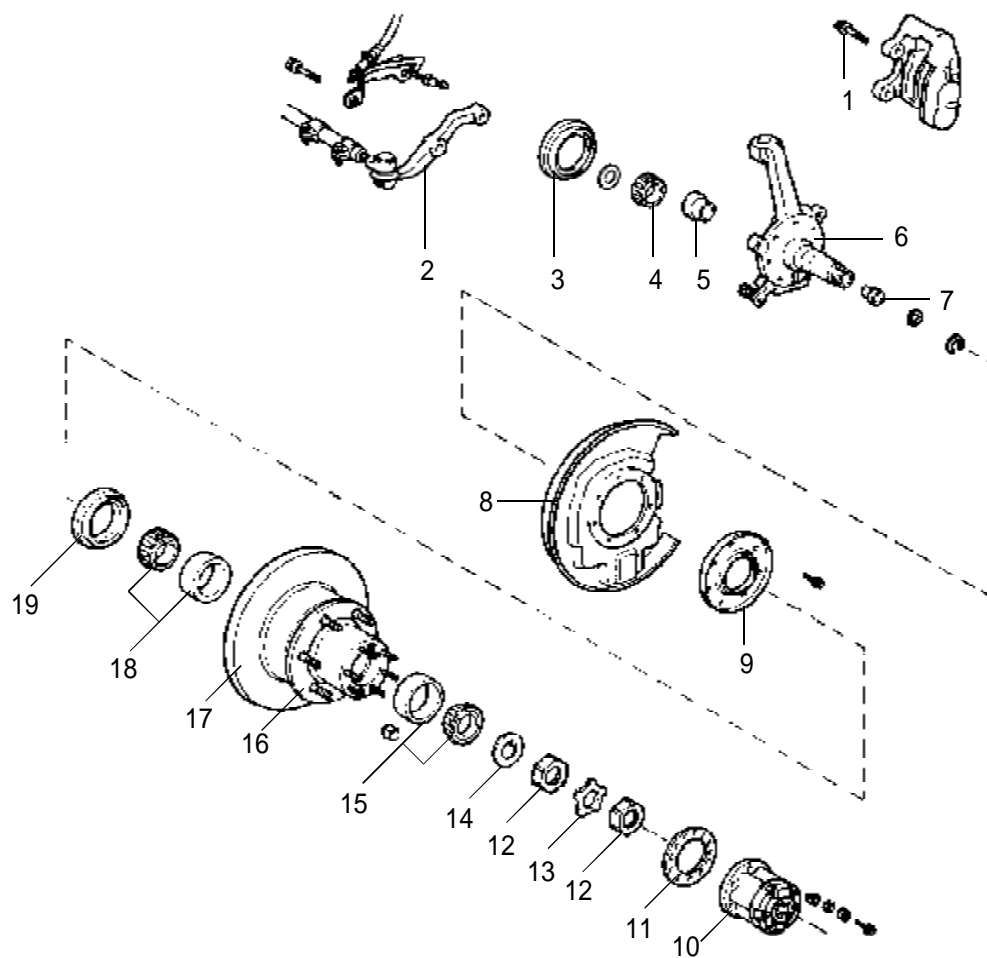
 每天进步一点点

转向节总成 STEERING KNUCKLE ASSEMBLY

序号 S/N	零部件代号 PART CODE	零部件名称 PART NAME	用量 QTY	适用车型 VEHICLE APPLICABLE TO	备注 REMARK
1	3001107-D01	轮毂轴承锁紧螺母 LOCKING NUT,WHEEL HUB BEARING	2	D01 D02 D03 D04 D06 D19 D21 D22 D23 D24 D48 D49 D50 D65 D66	
2	3001106-D01	转向外轴承止动垫圈 THRUST WASHER,OUTER BEARING,STEERING KNUCKLE	2		
3	3001111-D01	左转向节 STEERING KNUCKLE,LH	1		
4	3001131-D01	左转向节臂总成 STEERING ARM ASSEMBLY,LH	1		
5	3001121-D01	右转向节 STEERING KNUCKLE ASSEMBLY,RH	1		
6	3001113-D01-B1	转向节臂固定螺栓 BOLT,FIXING STEERING KNUCKLE	4		
7	3001132-D01	右转向节臂总成 STEERING ARM ASSEMBLY,RH	1		



4WD系列转向节及轮毂制动盘装配总成 4WD SERIES STEERING KNUCKLE & WHEEL BRAKE ASSEMBLY



每天进步一点点

4WD 系列转向节及轮毂制动盘装配总成 4WD SERIES STEERING KNUCKLE & WHEEL BRAKE ASSEMBLY

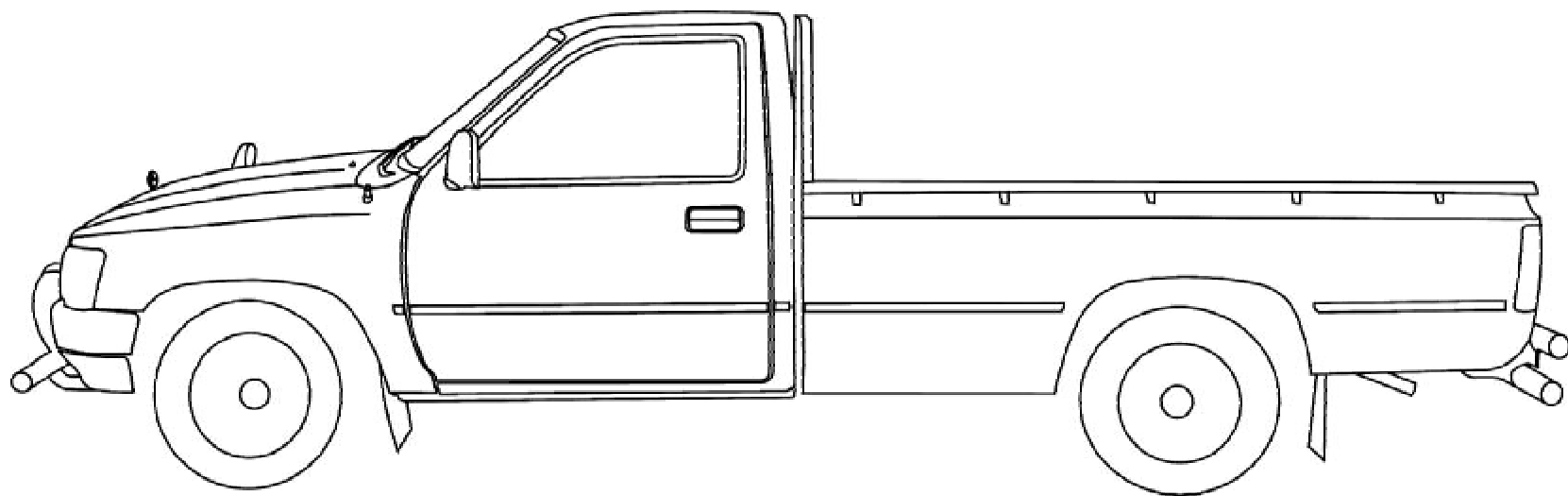
序号 S/N	零部件代码 PART CODE	零部件名称 PART NAME	用量 QTY	适用车型 VEHICLE APPLICABLE TO	备注 REMARK		
	3001010-F01-A1	左转向节及轮毂制动盘装配总成 LEFT STEERING KNUCKLE & WHEEL BRAKE ASSEMBLY (NEEDLE ROLLER)	1	D07 D08	滚针		
	3001020-F01-A1	右转向节及轮毂制动盘装配总成 RIGHT STEERING KNUCKLE & WHEEL BRAKE ASSEMBLY (NEEDLE ROLLER)	1				
1	Q150B1075	前刹车分泵钳体螺栓 BOLT	2				
2	3001113-F00	左转向节臂 STEERING ARM, LH	1				
	3001114-F00	右转向节臂 STEERING ARM, RH	1				
3	3001210-F01	驱动轴外油封 OUTER OIL SEAL,DRIVE SHAFT	2				
4	HK3016-F00	滚针轴承 NEEDLE ROLLER BEARING	2				
5	3001304-F01	转向节大套 STEERING KNUCKLE BIG SET	2				
6	3001301-F01	左转向节 STEERING KNUCKLE,LH (4WD)	1			D07 D08 D28 D30 D34 D36	四驱
	3001301-F01-B1	左转向节 STEERING KNUCKLE,LH (4WD, IMPROVED COPPER SOCKET)					四驱, 改进铜套
	3001111-F00	左转向节 STEERING KNUCKLE,LH		D07 D08 D31 D33			
		3001302-F01	右转向节 STEERING KNUCKLE,RH (4WD)	1	D07 D08 D28 D30 D34 D36	四驱	
		3001302-F01-B1	右转向节 STEERING KNUCKLE,RH (4WD, IMPROVED COPPER SOCKET)			四驱, 改进铜套	
		3001112-F00	右转向节 STEERING KNUCKLE,RH			D07 D08 D31 D33	
7	3001303-F01	转向节小套 STEERING KNUCKLE SMALL SET	2	D07 D08 D28 D30 D31 D33 D34 D36			
8	3001130-F00	左制动盘罩壳总成 BRAKE DISC COVER ASSEMBLY,LH	1	D07 D08 D28 D30 D31 D33 D34 D36			
	3001140-F00	右制动盘罩壳总成 BRAKE DISC COVER ASSEMBLY,RH	1				
9	3001170-F00	前轮毂防尘罩 DUST COVER,FRONT WHEEL HUB	2				
10	2310000-F01	自由轮毂 FREE WHEEL HUB	2				



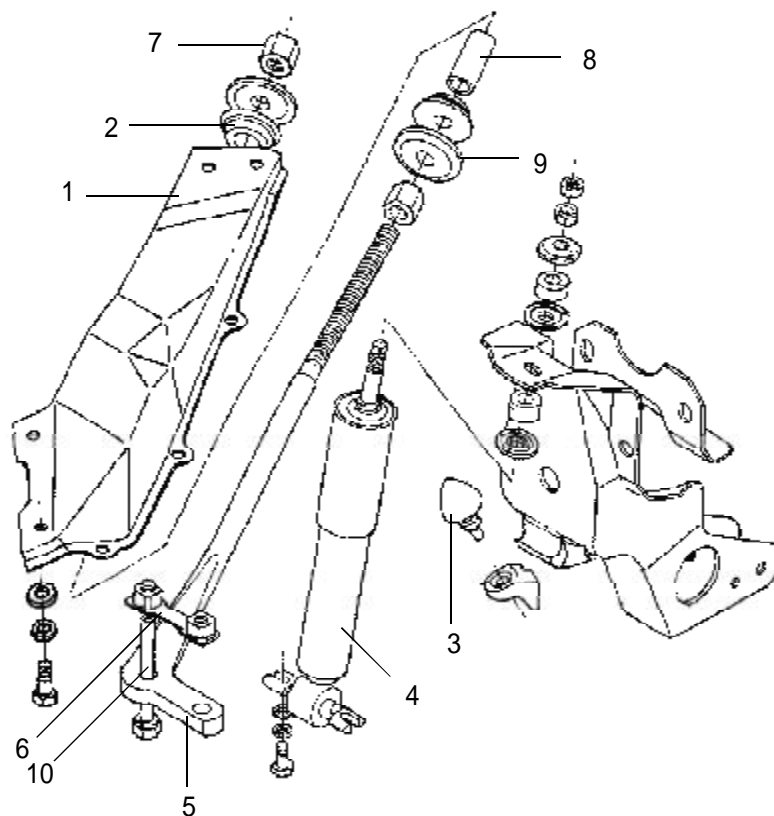
4WD 系列转向节及轮毂制动盘装配总成 4WD SERIES STEERING KNUCKLE & WHEEL BRAKE ASSEMBLY

序号 S/N	零部件代码 PART CODE	零部件名称 PART NAME	用量 QTY	适用车型 VEHICLE APPLICABLE TO	备注 REMARK
11	3103105-F00	转向节外法兰盘衬垫 GASKET,STEERING KNUCKLE OUTER FLANGE	2	D07 D08 D28 D30 D31 D33 D34 D36	
12	3001102-F00	转向节大螺母 NUT,STEERING KNUCKLE (BIG)	4	D07 D08 D28 D30 D31 D33 D34 D36	
13	3001103-F00	转向节大螺母锁片 LOCKING PIECE, STEERING KNUCKLE BIG NUT	2		
14	3001101-F00	转向节外轴承止动垫圈 THRUST WASHER, OUTER BEARING, STEERING KNUCKLE	2		
15	JLM104949	前轮毂轴承(外) OUTER BEARING,FRONT WHEEL HUB	2		
16	3103101-F00	前轮轮毂 FRONT WHEEL HUB	2		
17	3103103-F00	前制动盘 FRONT BRAKE DISC	2		
18	LM104948/10	前轮毂内轴承 INNER BEARING,FRONT WHEEL HUB	2		
19	3103110-F00	前轮毂油封 OIL SEAL,FRONT WHEEL HUB	2		





前悬置左支架及导向杆 FRONT SUSPENSION LEFT BRACKET AND STRUT



前悬置左支架及导向杆
FRONT SUSPENSION LEFT BRACKET AND STRUT

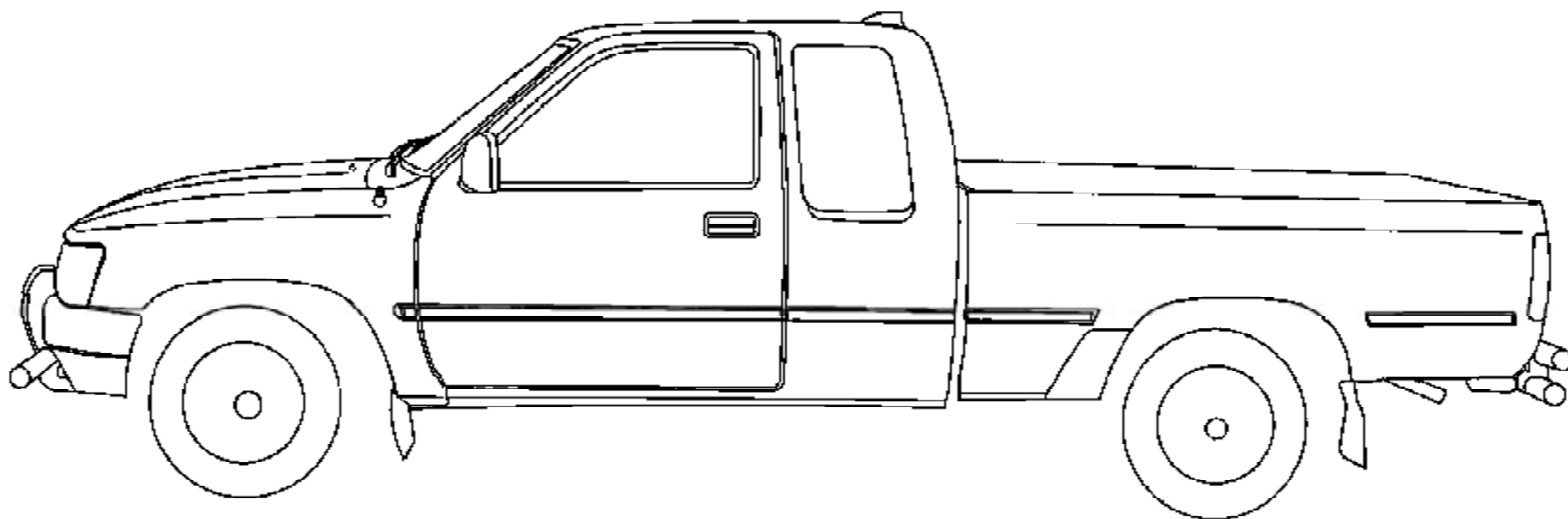
序号 S/N	零部件代号 PART CODE	零部件名称 PART NAME	用量 QTY	适用车型 VEHICLE APPLICABLE TO	备注 REMARK
	2909010-D01	左导向杆总成 LEFT STRUT ASSEMBLY	1	D01 D02 D03 D04 D06 D16 D17	
1	2909030-D01	左导向杆支座总成 STRUT BRACKET ASSEMBLY,LH	1	D18 D19 D21 D22 D23 D24 D43	
2	2909015-D01	导向杆橡胶垫 STRUT INSULATOR	4	D44 D45 D46 D47 D48 D49 D50	
3	2904103-D01	上摆臂缓冲块 BUFFER BLOCK,UPPER CONTROL ARM	1	D62 D63 D64 D65 D66	
4	2905100-D01	前减震器总成 FRONT SHOCK ABSORBER ASSEMBLY	1		
	2905100-D07	前减震器总成 FRONT SHOCK ABSORBER ASSEMBLY		D07 D08	
5	2909011-D01	左导向杆 LEFT STRUT	1	D01 D02 D03 D04 D06 D16 D17	
6	2909050-D01	螺母及联接板总成 NUT & CONNECTING PLATE ASSEMBLY	1	D18 D19 D21 D22 D23 D24 D43	
7	2909016-D01	导向杆螺母 NUT,STRUT	1	D44 D45 D46 D47 D48 D49 D50	
8	2909014-D01	导向杆衬套 BUSHING,STRUT	1	D62 D63 D64 D65 D66	
9	2909013-D01	导向杆胶垫座 STRUT INSULATOR SEAT	1		
10	2909017-D01	导向杆固定六角螺栓 FIXING BOLT,STRUT	1		



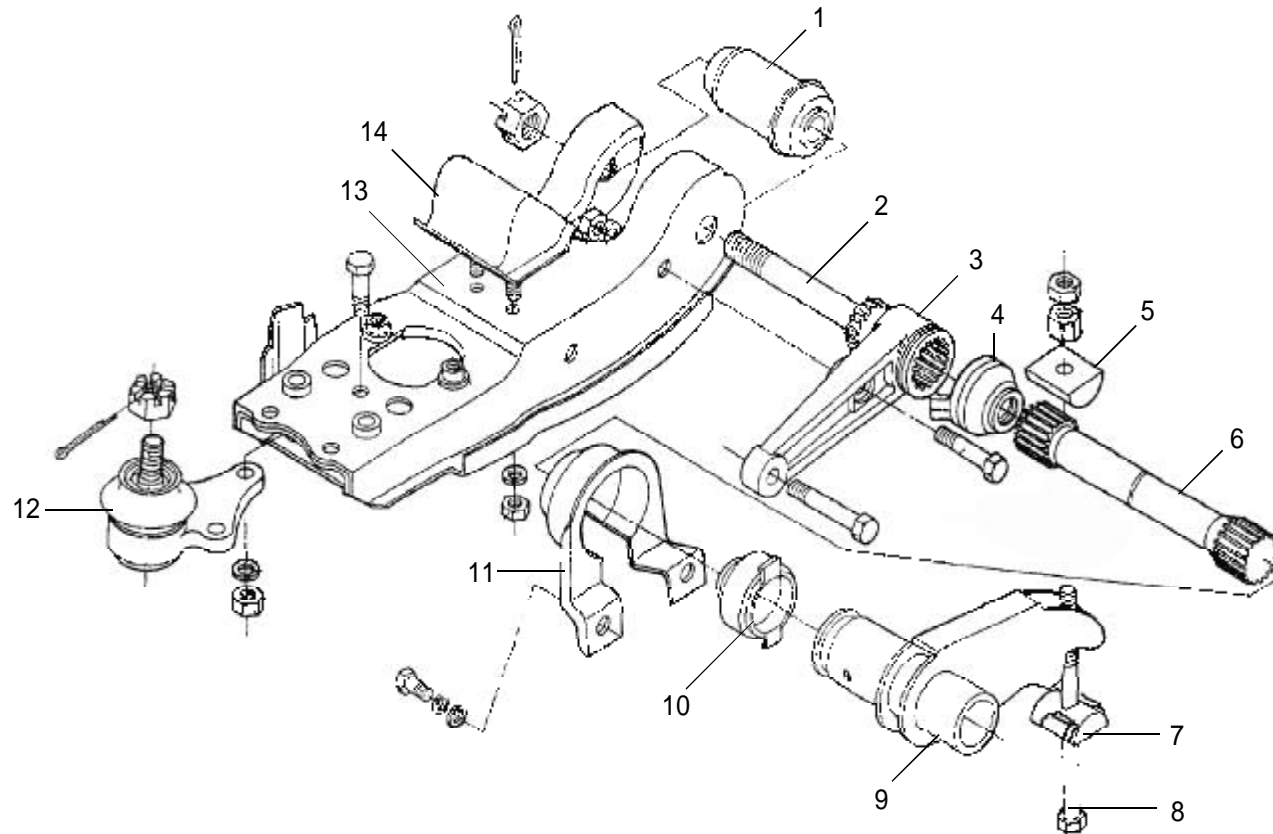
前悬置右支架及导向杆 FRONT SUSPENSION RIGHT BRACKET AND STRUT

序号 S/N	零部件代号 PART CODE	零部件名称 PART NAME	用量 QTY	适用车型 VEHICLE APPLICABLE TO	备注 REMARK
	2909020-D01	右导向杆总成 RIGHT STRUT ASSEMBLY	1	D01 D02 D03 D04 D06 D16 D17	
1	2909040-D01	右导向杆支座总成 STRUT BRACKET ASSEMBLY,RH	1	D18 D19 D21 D22 D23 D24 D43	
2	2909015-D01	导向杆橡胶垫 STRUT INSULATOR	4	D44 D45 D46 D47 D48 D49 D50	
3	2904103-D01	上摆臂缓冲块 BUFFER BLOCK,UPPER CONTROL ARM	1	D62 D63 D64 D65 D66	
4	2905100-D01	前减震器总成 FRONT SHOCK ABSORBER ASSEMBLY	1		
	2905100-D07	前减震器总成 FRONT SHOCK ABSORBER ASSEMBLY		D07 D08	
5	2909012-D01	右导向杆 RIGHT STRUT	1	D01 D02 D03 D04 D06 D16 D17	
6	2909050-D01	螺母及联接板总成 NUT & CONNECTING PLATE ASSEMBLY	1	D18 D19 D21 D22 D23 D24 D43	
7	2909016-D01	导向杆螺母 NUT,STRUT	1	D44 D45 D46 D47 D48 D49 D50	
8	2909014-D01	导向杆衬套 BUSHING,STRUT	1	D62 D63 D64 D65 D66	
9	2909013-D01	导向杆胶垫座 STRUT INSULATOR SEAT	1		
10	2909017-D01	导向杆固定六角螺栓 FIXING BOLT,STRUT	1		





左下摆臂及扭杆总成LEFT LOWER CONTROL ARM AND TORSION BAR ASSEMBLY



左下摆臂及扭杆总成 LEFT LOWER CONTROL ARM AND TORSION BAR ASSEMBLY

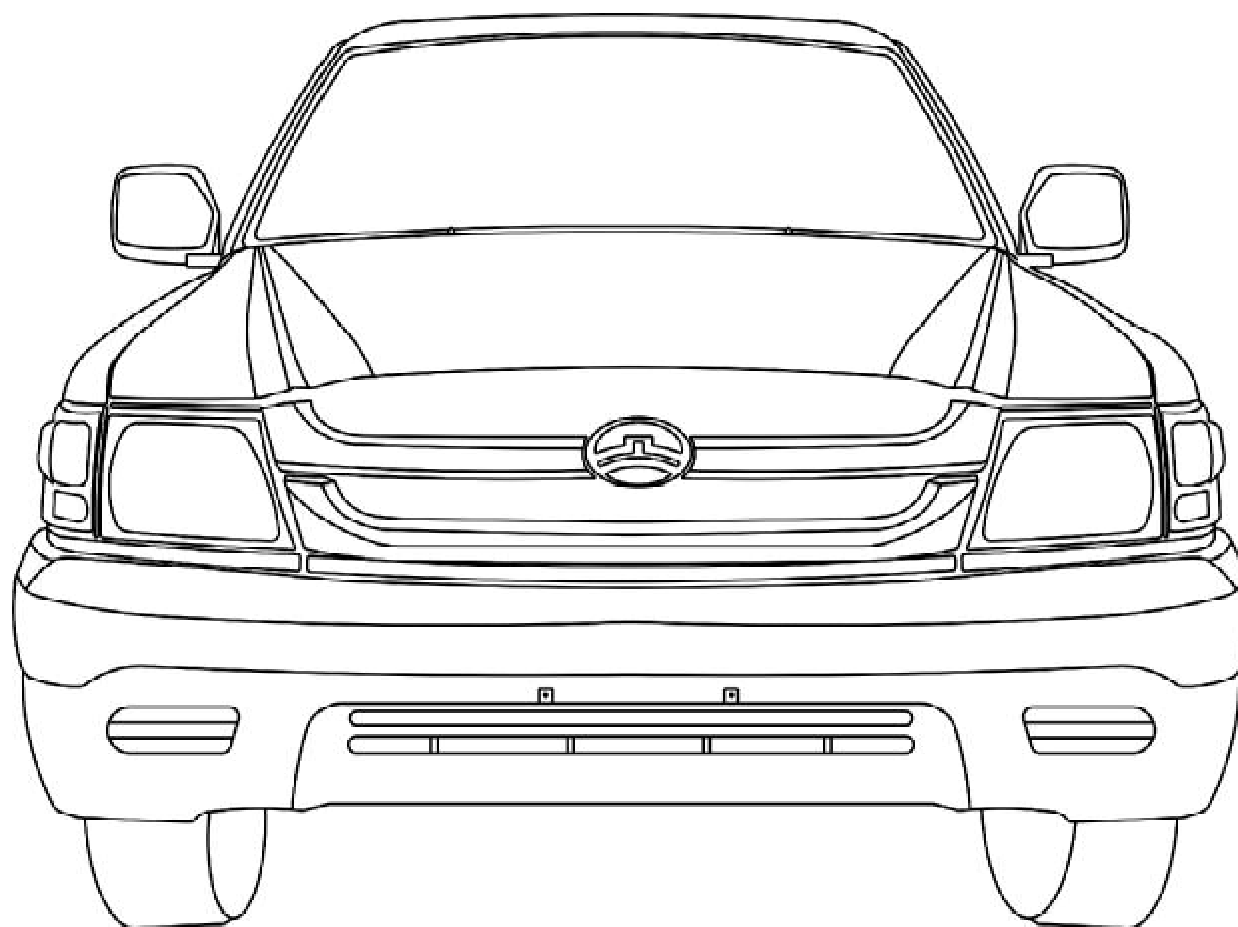
序号 S/N	零部件代号 PART CODE	零部件名称 PART NAME	用量 QTY	适用车型 VEHICLE APPLICABLE TO	备注 REMARK	
	2904300-D01	左下摆臂装配总成 LOWER CONTROL ARM ASSEMBLY, LH	1	D01 D02 D03 D04 D06 D16 D17 D18 D19 D21 D22 D23 D24 D43 D44 D45 D46 D47 D48 D49 D50 D62 D63 D64 D65 D66		
1	2904350-D01	下摆臂轴套总成 BUSHING & SLEEVE ASSEMBLY,LOWER CONTROL ARM	1			
2	2908119-D01	下摆臂轴 LOWER CONTROL ARM SHAFT	2			
3	2908118-D01	扭杆弹簧摇臂 TORSION BAR ROCKER ARM	1			
4	2908011-D01	扭杆弹簧前防尘罩 FRONT DUST COVER, TORSION BAR	1			
5	2908112-D01	扭杆弹簧调整螺栓上垫块 UPPER SWIVEL BLOCK, TORSION BAR	1			
6	2908101-D01	左扭杆弹簧 TORSION BAR, LH	1		D01 D03 D16 D22 D24 D45 D62 D50	
	2908101-D17	左扭杆弹簧 TORSION BAR, LH			D02 D17 D23 D46 D63 D66	
	2908101-B00	左扭杆弹簧 TORSION BAR, LH			D04 D06	
	2908101-B02	左扭杆弹簧 TORSION BAR, LH			D19 D21	
7	2908113-D01	扭杆弹簧调整螺栓下垫块 LOWER SWIVEL BLOCK, TORSION BAR	1		D01 D02 D03 D04 D06 D16 D17 D18 D19 D21 D22 D23 D24 D43 D44 D45 D46 D47 D48 D49 D50 D62 D63 D64 D65 D66	
8	2908111-D01	扭杆弹簧调整螺栓 HEIGHT ADJUSTMENT BOLT	1			
9	2908116-D01	左扭杆弹簧调整臂 ADJUSTING ARM ASSEMBLY,LEFT TORSION BAR	1			
10	2908012-D01	扭杆弹簧后防尘罩 REAR DUST COVER, TORSION BAR	1			
11	2908013-D01	扭杆弹簧后护罩 REAR END COVER, TORSION BAR	1			
12	2904340-D01	下球销总成 BALL STUD, LOWER CONTROL ARM	1			
13	2904310-D01	左下摆臂焊接总成 LOWER CONTROL ARM WELDMENT ASSEMBLY, LH	1			
14	2904330-D01	下摆臂缓冲块总成 BUFFER STOPPER, LOWER CONTROL ARM	1			



右下摆臂及扭杆总成 RIGHT LOWER ARM AND TORSION BAR ASSEMBLY

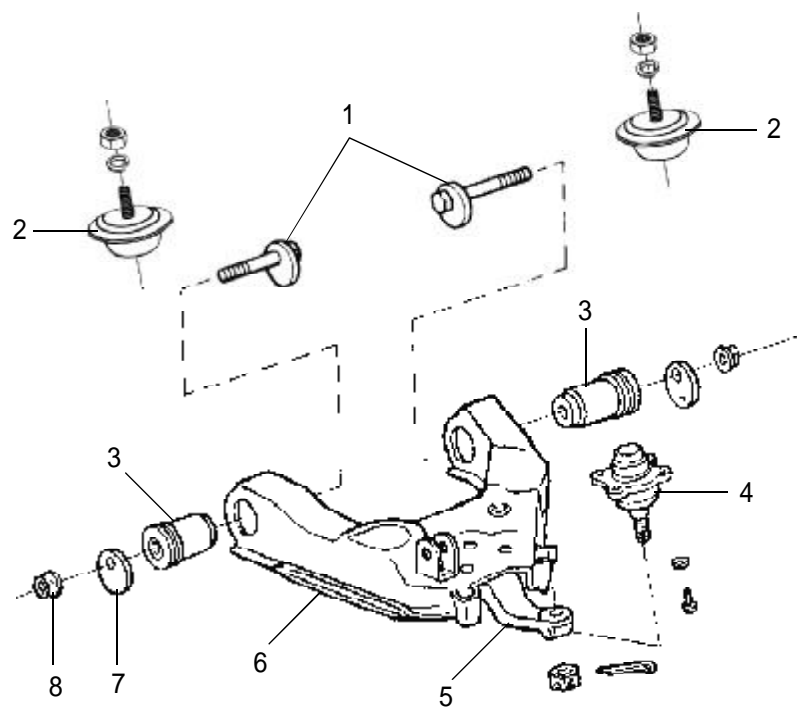
序号 S/N	零部件代号 PART CODE	零部件名称 PART NAME	用量 QTY	适用车型 VEHICLE APPLICABLE TO	备注 REMARK
	2904400-D01	右下摆臂装配总成 LOWER CONTROL ARM ASSEMBLY, RH	1	D01 D02 D03 D16 D17 D18 D22 D23	
1	2904350-D01	下摆臂轴套总成 BUSHING & SLEEVE ASSEMBLY, LOWER CONTROL ARM	1	D24 D43 D44 D45 D46 D47 D48 D49 D50 D62 D63 D64 D65 D66	
2	2908119-D01	下摆臂轴 LOWER CONTROL ARM SHAFT	2		
3	2908118-D01	扭杆弹簧摇臂 TORSION BAR ROCKER ARM	1		
4	2908011-D01	扭杆弹簧前防尘罩 FRONT DUST COVER	1		
5	2908112-D01	扭杆弹簧调整螺栓上垫块 UPPER SWIVEL BLOCK, TORSION BAR	1		
6	2908102-D01	右扭杆弹簧 TORSION BAR, RH	1	D01 D03 D22 D24 D45 D47 D48 D49 D50	
	2908102-D17	右扭杆弹簧 TORSION BAR, RH		D02 D23 D46 D65	
	2908102-B00	右扭杆弹簧 TORSION BAR, RH		D19 D21	
	2908102-B02	右扭杆弹簧 TORSION BAR, RH		D19 D21	
7	2908113-D01	扭杆弹簧调整螺栓下垫块 LOWER SWIVEL BLOCK, TORSION BAR	1	D01 D02 D03 D16 D17 D18 D22 D23	
8	2908111-D01	扭杆弹簧调整螺栓 HEIGHT ADJUSTMENT BOLT	1	D24 D43 D44 D45 D46 D47 D48 D49 D50 D62 D63 D64 D65 D66	
9	2908121-D01	右扭杆弹簧调整臂 ADJUSTING ARM ASSEMBLY, RIGHT TORSION BAR	1		
10	2908012-D01	扭杆弹簧后防尘罩 REAR DUST COVER	1		
11	2908013-D01	扭杆弹簧后护罩 REAR END COVER, TORSION BAR	1		
12	2904340-D01	下球销总成 BALL STUD, LOWER CONTROL ARM	1		
13	2904320-D01	右下摆臂焊接总成 LOWER CONTROL ARM WELDMENT ASSEMBLY, LH	1		
14	2904330-D01	下摆臂缓冲块总成 BUFFER STOPPER, LOWER CONTROL ARM	1		





 每天进步一点点

下摆臂总成 LOWER CONTROL ARM ASSEMBLY

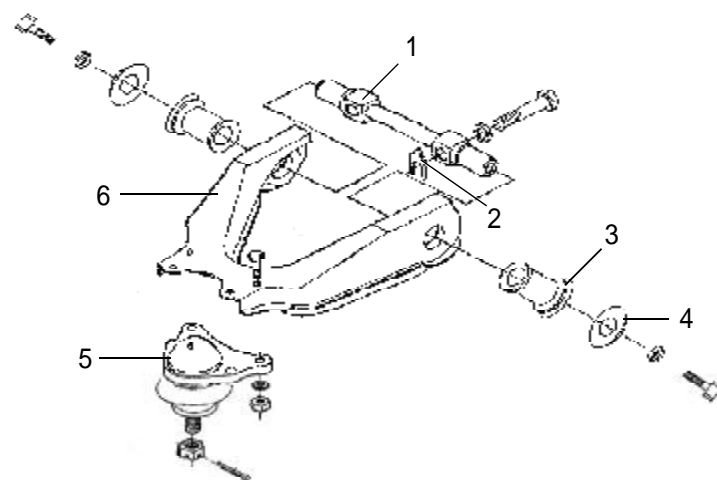


下摆臂总成 LOWER CONTROL ARM ASSEMBLY

序号 S/N	零部件代号 PART CODE	零部件名称 PART NAME	用量 QTY	适用车型 VEHICLE APPLICABLE TO	备注 REMARK
	2904300-F00	左下摆臂装配总成 LOWER CONTROL ARM ASSEMBLY, LH	1	D07 D08 D28 D30 D31 D33 D34 D36	
	2904400-F00	右下摆臂装配总成 LOWER CONTROL ARM ASSEMBLY, RH	1		
1	2904340-F00	下摆臂轴螺栓总成 BOLT, LOWER CONTROL ARM SHAFT	4		
2	2904350-F00	下摆臂限位块总成 JOUNCE BUMPER, LOWER CONTROL ARM	4		
3	2904330-F00	下臂轴套及轴体管 BUSHING ASSEMBLY, LOWER CONTROL ARM	4		
4	3001150-F00	下球销总成 BALL STUD, LOWER CONTROL ARM	2		
5	2904322-F00	下摆臂球销座 BALL STUD SEAT, LOWER CONTROL ARM	2		
6	2904310-F00	左下摆臂焊接总成 LOWER CONTROL ARM WELDMENT ASSEMBLY, LH	1		
	2904320-F00	右下摆臂焊接总成 LOWER CONTROL ARM WELDMENT ASSEMBLY, RH	1		
7	2904343-F00	下摆臂轴偏心外垫 OFFSET OUTSIDE WASHER- LOWER CONTROL ARM SHAFT	4		
8	2904342-F00	下摆臂轴螺母 NUT, LOWER CONTROL ARM SHAFT	4		



上摆臂安装组合件（一） UPPER CONTROL ARM MOUNTING ASSEMBLY (1)

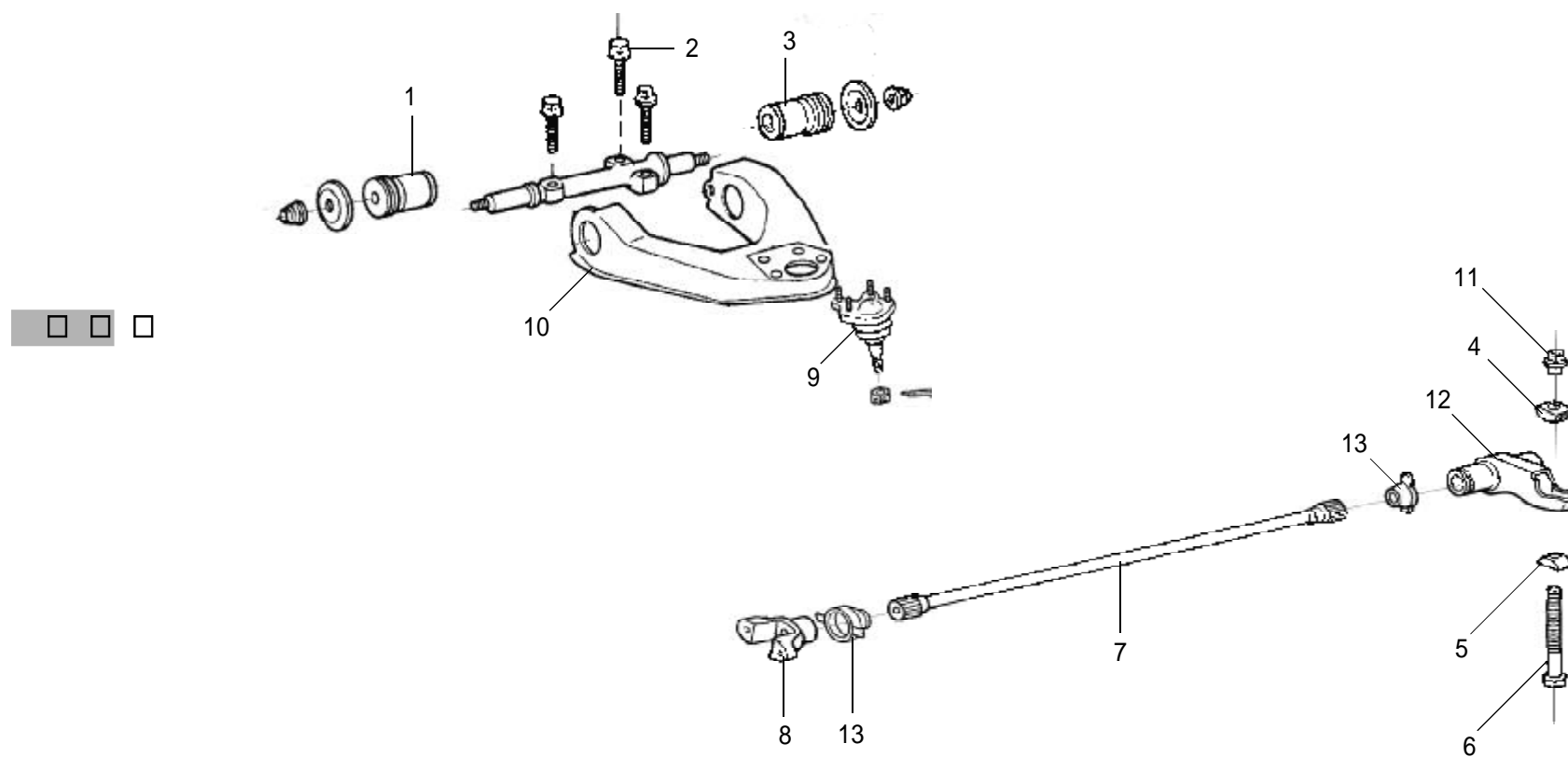


上摆臂安装组合件（一） UPPER CONTROL ARM MOUNTING ASSEMBLY (1)

序号 S/N	零部件代号 PART CODE	零部件名称 PART NAME	用量 QTY	适用车型 VEHICLE APPLICABLE TO	备注 REMARK
	2904100-D01	上摆臂装配总成 UPPER CONTROL ARM ASSEMBLY	2	D01 D02 D03 D04 D06 D17 D18 D19 D21 D22 D23 D24 D43 D62 D64 D48 D49 D50 D65 D66	
1	2904101-D01	上摆臂轴 UPPER CONTROL ARM SHAFT ASSEMBLY (NEW MODEL)	2		新款
2	2904104-D01	调整垫片一 ADJUSTING SHIM NO.1	4		1.2mm
	2904105-D01	调整垫片二 ADJUSTING SHIM NO.2	4		2mm
	2904106-D01	调整垫片三 ADJUSTING SHIM NO.3	4		3mm
3	2904120-D01	上摆臂轴橡胶衬套总成 BUSHING & SLEEVE ASSEMBLY, UPPER CONTROL ARM (NEW MODEL)	4		新款
4	2904102-D01	上摆臂胶套压紧垫 BUSHING PRESSUREING GASKET, UPPER CONTROL ARM	4		
5	2904130-D01	上球销总成 BALL STUD ASSEMBLY, UPPER CONTROL ARM	2		
6	2904110-D01	上摆臂焊接总成 UPPER CONTROL ARM WELDMENT ASSEMBLY	2		



上摆臂安装组合件 (二) UPPER CONTROL ARM MOUNTING ASSEMBLY (2)

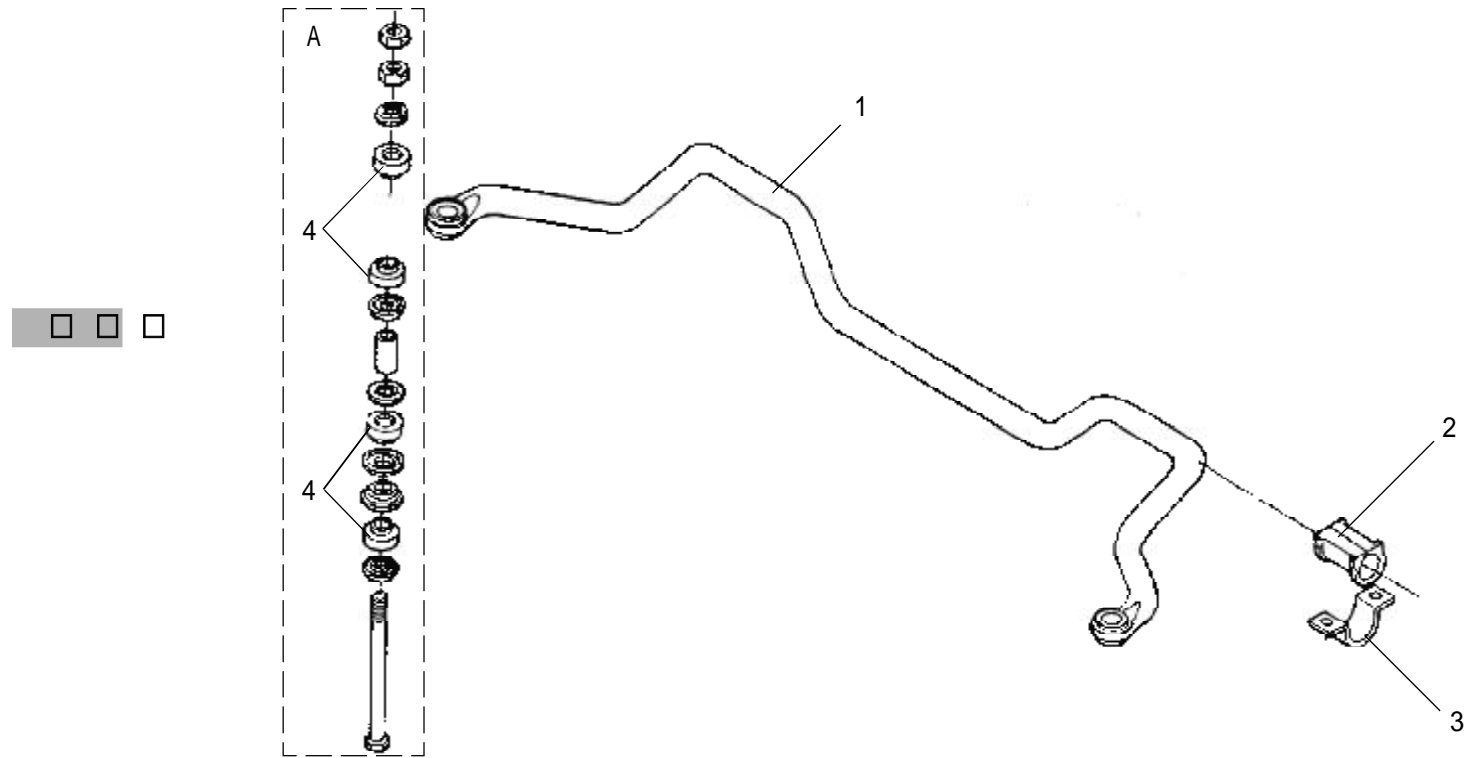


上摆臂安装组合件（二） UPPER CONTROL ARM MOUNTING ASSEMBLY (2)

序号 S/N	零部件代号 PART CODE	零部件名称 PART NAME	用量 QTY	适用车型 VEHICLE APPLICABLE TO	备注 REMARK	
	2904100-F00	左上摆臂装配总成 UPPER CONTROL ARM ASSEMBLY, LH (4WD)	1	D28 D30 D31 D33 D34 D36	四驱	
	2904200-F00	右上摆臂装配总成 UPPER CONTROL ARM ASSEMBLY, RH	1			
1	2904140-F00	上摆臂短轴套总成 UPPER CONTROL ARM SHAFT BUSHING, SHORT (SHORT)	4			
2	Q151B1265FD	六角头螺栓 BOLT-FINE THREAD	6			细牙
3	2904130-F00	上摆臂轴胶套及内管总成 BUSHING ASSEMBLY, UPPER CONTROL ARM	4			
4	2908112-F00	扭杆弹簧调整螺栓上垫块 UPPER SWIVEL BLOCK, TORSION BAR	2			
5	2908113-F00	扭杆弹簧调整螺栓下垫块 LOWER SWIVEL BLOCK, TORSION BAR	2			
6	2908111-F00	扭杆弹簧调整螺栓 HEIGHT ADJUSTMENT BOLT	2			
7	2908101-F00	左扭杆弹簧 TORSION BAR, LH	2			
	2908102-F00	右扭杆弹簧 TORSION BAR, RH	2			
8	2908118-F00	扭杆弹簧叉 TORSION BAR FORK	2			
9	2904160-F00	上球销总成 BALL STUD ASSEMBLY, UPPER CONTROL ARM	2			
10	2904110-F00	左上摆臂焊接总成 UPPER CONTROL ARM WELDMENT ASSEMBLY, LH	1			
	2904120-F00	右上摆臂焊接总成 UPPER CONTROL ARM WELDMENT ASSEMBLY, RH	1			
11	2908114-F00	扭杆调整螺母 SWIVEL NUT, TORSION BAR	2			
12	2908116-F00	左扭杆弹簧调整臂 ADJUSTING ARM ASSEMBLY, ,LEFT TORSION BAR	1			
	2908117-F00	右扭杆弹簧调整臂 ADJUSTING ARM ASSEMBLY, ,RIGHT TORSION BAR	1			
13	2908011-F00	扭杆弹簧防尘罩 DUST COVER, TORSION BAR	4			



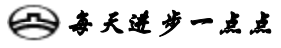
横向稳定杆 STABILIZER BAR



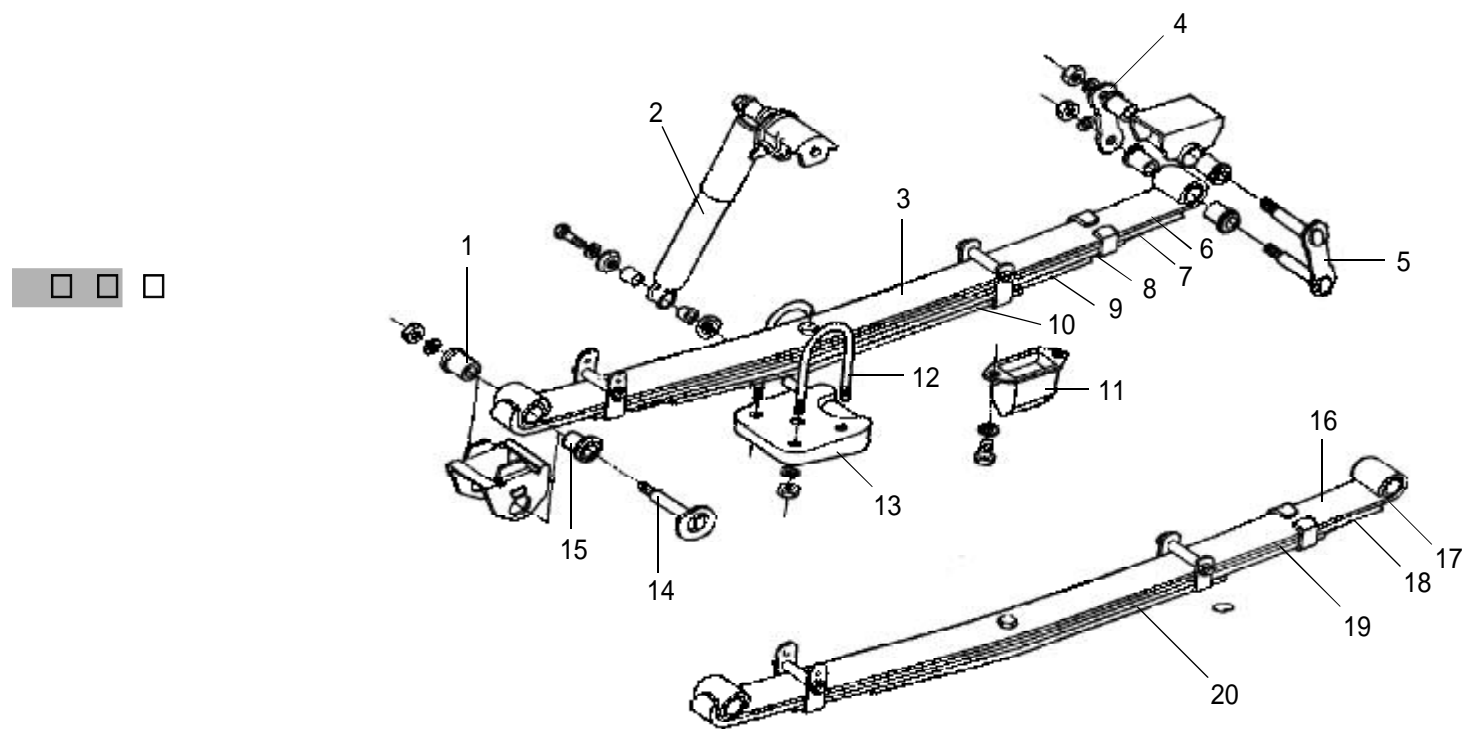
每天进步一点点

横向稳定杆 STABILIZER BAR

序号 S/N	零部件代号 PART CODE	零部件名称 PART NAME	用量 QTY	适用车型 VEHICLE APPLICABLE TO	备注 REMARK
A	2906100-D01	前横向稳定杆连接杆总成 CONNECTING BOLT, FRONT STABILIZER BAR	2	D01 D02 D03 D04 D06 D19 D21 D22 D23 D24 D48 D49 D50 D65	
	2906100-F00	前横向稳定杆连接杆总成 CONNECTING BOLT, FRONT STABILIZER BAR		D07 D08 D28 D30 D31 D33 D34 D36	
1	2906013-D01	横向稳定杆 FRONT STABILIZER BAR	1	D01 D02 D03 D04 D06 D19 D21 D22 D23 D24 D48 D49 D50 D65	
	2906013-D62	横向稳定杆 FRONT STABILIZER BAR		D62 D63 D64	
	2906013-F00	前横向稳定杆 FRONT STABILIZER BAR		D07 D08 D28 D30 D31 D33 D34 D36	
2	2906011-D01	横向稳定杆衬套 BUSHING, STABILIZER BAR	2	D01 D02 D03 D04 D06 D19 D21 D22 D23 D24 D48 D49 D50 D65	
	2906011-F00	前横向稳定杆衬套 BUSHING, FRONT STABILIZER BAR		D07 D08 D28 D30 D31 D33 D34 D36	
3	2906012-D01	横向稳定杆衬套卡箍 BUSHING CLIP, STABILIZER BAR	2	D01 D02 D03 D04 D06 D19 D21 D22 D23 D24 D48 D49 D50 D65	
	2906012-F00	横向稳定杆衬套左卡箍 BUSHING CLIP, STABILIZER BAR	1	D07 D08 D30 D31	
	2906014-F00	横向稳定杆衬套右卡箍 BUSHING CLIP, STABILIZER BAR			
4	2906102-D01	胶圈 RUBBER RING	8	D01 D02 D03 D04 D06 D19 D21 D22 D23 D24 D48 D49 D50 D65	



左后悬架总成LEFT REAR SUSPENSION ASSEMBLY



每天进步一点点

左后悬架总成 LEFT REAR SUSPENSION ASSEMBLY

序号 S/N	零部件代号 PART CODE	零部件名称 PART NAME	用量 QTY	适用车型 VEHICLE APPLICABLE TO	备注 REMARK
1	2912102-D01	钢板弹簧长橡胶衬套 LONG RUBBER BUSHING, LEAF SPRING	3	D01 D02 D03 D04 D06 D19 D21 D22 D23 D24 D48 D49 D50 D65	
2	2915100-D01	后减震器总成 REAR SHOCK ABSORBER ASSEMBLY	1	D07 D28	
	2915100-D07	后减震器总成 REAR SHOCK ABSORBER ASSEMBLY			
3	2912130-D01	左钢板弹簧总成 REAR LEAF SPRING ASSEMBLY, LH (STANDARD CAB)	1	D01 D22 D43 D44 D50	小双
	2912130-D02	左钢板弹簧总成 REAR LEAF SPRING ASSEMBLY, LH		D02 D06 D19 D21 D23 D46 D48	
	2912130-D07	左钢板弹簧总成 REAR LEAF SPRING ASSEMBLY, LH		D07 D28	
	2912130-D75	钢板弹簧总成 REAR LEAF SPRING ASSEMBLY		D04 D75	
4	2912111-D01	钢板弹簧吊耳板 SHACKLE BRACKET	1	D01 D02 D03 D04 D06 D19 D21 D22 D23 D24 D48 D49 D50 D65	
5	2912112-D01	钢板弹簧后吊耳销 REAR SHACKLE PIN, LEAF SPRING	1		
6	2912131-D01	钢板弹簧第一片 LEAF SPRING, NO.1	1	D01 D22 D43 D44 D50	
	2912131-D07	钢板弹簧第一片 LEAF SPRING, NO.1		D07 D28	
7	2912132-D01	钢板弹簧第二片 LEAF SPRING, NO.2	1	D01 D22 D43 D44 D50	
	2912132-D07	钢板弹簧第二片 LEAF SPRING, NO.2		D07 D28	
8	2912133-D01	钢板弹簧第三片 LEAF SPRING, NO.3	1	D01 D22 D43 D44 D50	
	2912133-D07	钢板弹簧第三片 LEAF SPRING, NO.3		D07 D28	
9	2912134-D01	钢板弹簧第四片 LEAF SPRING, NO.4	1	D01 D22 D43 D44 D50	
	2912134-D07	钢板弹簧第四片 LEAF SPRING, NO.4		D07 D28	
10	2912135-D01	钢板弹簧第五片 LEAF SPRING, NO.5	1	D01 D22 D43 D44 D50	
	2912135-D07	钢板弹簧第五片 LEAF SPRING, NO.5		D07 D28	
11	2912180-D01	钢板弹簧缓冲胶块总成 BUFFER STOPPER ASSEMBLY, LEAF SPRING	1	D01 D02 D03 D04 D06 D19 D21 D16 D17 D18 D22 D23 D24 D43 D48 D49 D50 D62 D63 D64 D65 D66	



左后悬架总成 LEFT REAR SUSPENSION ASSEMBLY

序号 S/N	零部件代号 PART CODE	零部件名称 PART NAME	用量 QTY	适用车型 VEHICLE APPLICABLE TO	备注 REMARK
12	2912104-D01	钢板弹簧 U 型螺栓 U-BOLT	2	D01 D02 D03 D16 D17 D18 D22 D23 D24 D43 D48 D49 D50 D62 D63 D64 D65 D66	
	2912104-D75	钢板弹簧 U 型螺栓 U-BOLT (SHORT)		D03 D24 D45 D47	短
	2912104-D07	钢板弹簧 U 型螺栓 U-BOLT		D07 D08 D28	
13	2912170-D01	钢板弹簧托瓦 LEAF SPRING SEAT	1	D01 D02 D03 D04 D06 D19 D21 D22 D23 D24 D48 D49 D50 D65	
	2912170-D07	钢板弹簧托瓦 LEAF SPRING SEAT (WITH GROOVE IN THE MIDDLE)		D07 D08 D28	中间有槽
14	2912101-D01	钢板弹簧前吊耳销 FRONT SHACKLE PIN, LEAF SPRING	1	D01 D02 D03 D04 D19 D22 D23 D24 D48 D49 D50 D65	
	2912101-D28	钢板弹簧前吊耳销 FRONT SHACKLE PIN, LEAF SPRING (WITH NUT)		D28	带母
15	2912103-D01	钢板弹簧短橡胶衬套 SHORT RUBBER BUSHING, LEAF SPRING	3	D01 D02 D03 D04 D06 D19 D21 D22 D23 D24 D48 D49 D50 D65	
16	2912130-D75	左钢板簧总成 REAR LEAF SPRING ASSEMBLY, LH (4 SHEETS)	1	D03 D04 D19 D24 D45 D47	4 片
17	2912131-D75	钢板弹簧第一片 LEAF SPRING, NO.1	1		
18	2912132-D75	钢板弹簧第二片 LEAF SPRING, NO.2	1		
19	2912133-D75	钢板弹簧第三片 LEAF SPRING, NO.3	1		
20	2912134-D75	钢板弹簧第四片 LEAF SPRING, NO.4	1		

右后悬架总成 RIGHT REAR SUSPENSION ASSEMBLY

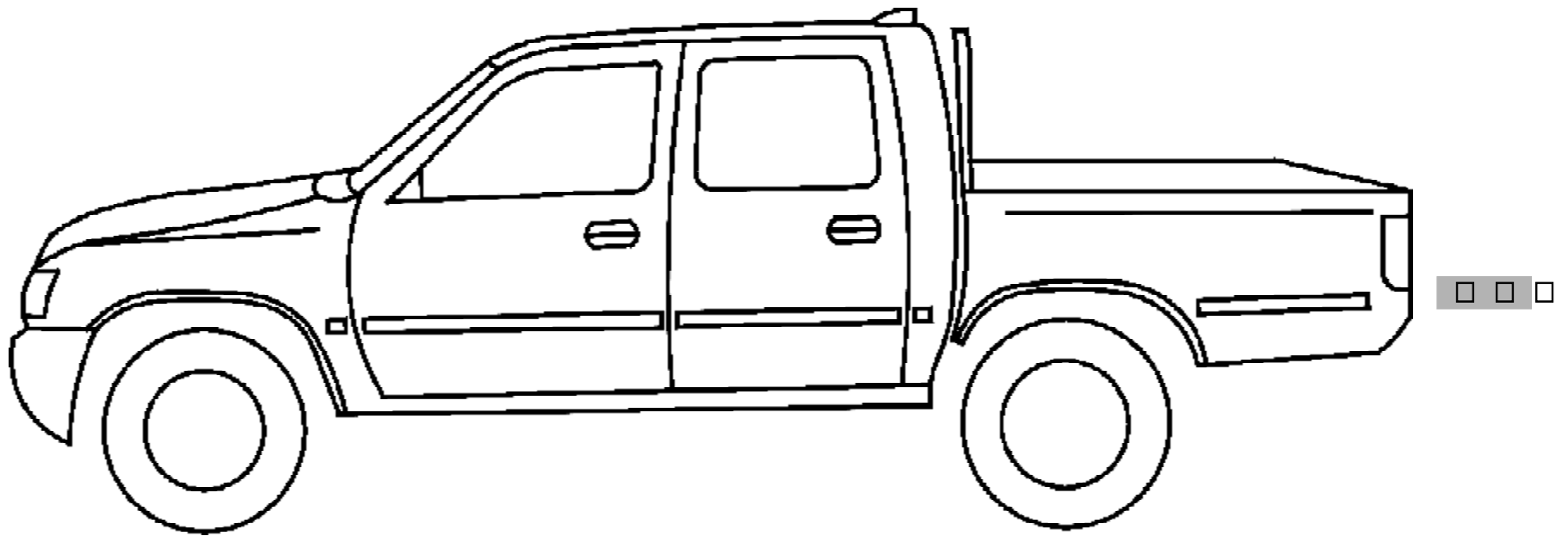
序号 S/N	零部件代号 PART CODE	零部件名称 PART NAME	用量 QTY	适用车型 VEHICLE APPLICABLE TO	备注 REMARK
1	2912102-D01	钢板弹簧长橡胶衬套 LONG RUBBER BUSHING, LEAF SPRING	3	D01 D02 D03 D04 D06 D19 D21 D22	
2	2915100-D01	后减震器总成 REAR SHOCK ABSORBER ASSEMBLY	1	D23 D24 D48 D49 D50 D65	
	2915100-D07	后减震器总成 REAR SHOCK ABSORBER ASSEMBLY		D07 D28	
3	2912140-D01	右钢板弹簧总成 REAR LEAF SPRING ASSEMBLY, RH (STANDARD CAB)	1	D01 D22 D43 D44 D50	小双
	2912140-D02	右钢板弹簧总成 REAR LEAF SPRING ASSEMBLY, RH		D02 D06 D19 D21 D23 D46 D48 D65	
	2912140-D07	右钢板弹簧总成 REAR LEAF SPRING ASSEMBLY, RH		D07 D28	
	2912130-D75	钢板弹簧总成 REAR LEAF SPRING ASSEMBLY		D04 D75	
4	2912111-D01	钢板弹簧吊耳板 SHACKLE BRACKET	1	D01 D02 D03 D04 D06 D19 D21 D22	
5	2912112-D01	钢板弹簧后吊耳销 REAR SHACKLE PIN, LEAF SPRING	1	D23 D24 D48 D49 D50 D65	
6	2912131-D01	钢板弹簧第一片 LEAF SPRING, NO.1	1	D01 D22 D43 D44 D50	
	2912131-D07	钢板弹簧第一片 LEAF SPRING, NO.1		D07 D28	
7	2912132-D01	钢板弹簧第二片 LEAF SPRING, NO.2	1	D01 D22 D43 D44 D50	
	2912132-D07	钢板弹簧第二片 LEAF SPRING, NO.2		D07 D28	
8	2912133-D01	钢板弹簧第三片 LEAF SPRING, NO.3	1	D01 D22 D43 D44 D50	
	2912133-D07	钢板弹簧第三片 LEAF SPRING, NO.3		D07 D28	
9	2912134-D01	钢板弹簧第四片 LEAF SPRING, NO.4	1	D01 D22 D43 D44 D50	
	2912134-D07	钢板弹簧第四片 LEAF SPRING, NO.4		D07 D28	
10	2912135-D01	钢板弹簧第五片 LEAF SPRING, NO.5	1	D01 D22 D43 D44 D50	
	2912135-D07	钢板弹簧第五片 LEAF SPRING, NO.5		D07 D28	
11	2912180-D01	钢板弹簧缓冲胶块总成 BUFFER STOPPER ASSEMBLY, LEAF SPRING	1	D01 D02 D03 D04 D06 D16 D17 D18 D19 D21 D22 D23 D24 D43 D48 D49	
12	2912104-D01	钢板弹簧 U 型螺栓 U-BOLT	2	D50 D62 D63 D64 D65 D66	



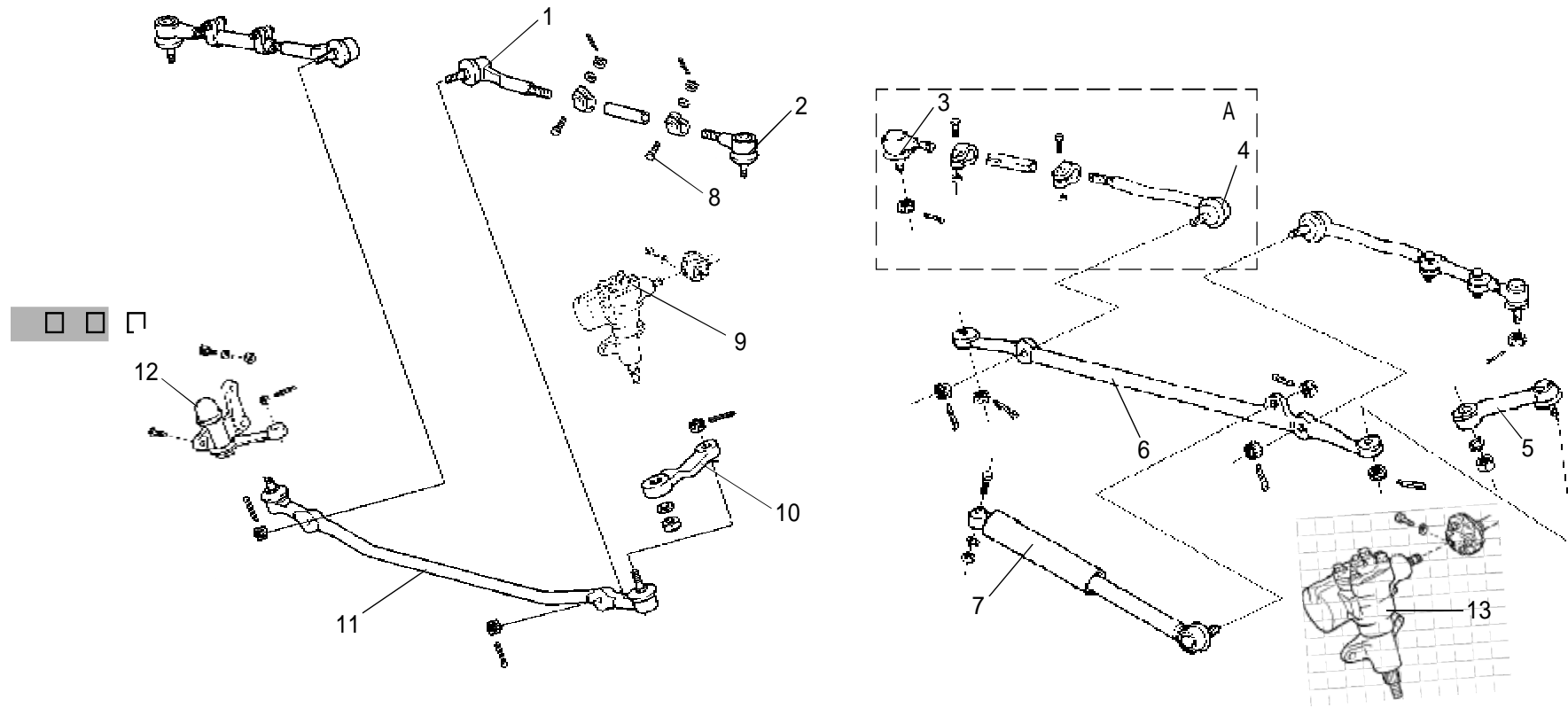
右后悬架总成 RIGHT REAR SUSPENSION ASSEMBLY

序号 S/N	零部件代号 PART CODE	零部件名称 PART NAME	用量 QTY	适用车型 VEHICLE APPLICABLE TO	备注 REMARK
12	2912104-D75	钢板弹簧 U 型螺栓 U-BOLT (SHORT)	2	D03 D24 D45 D47	短
	2912104-D07	钢板弹簧 U 型螺栓 U-BOLT		D07 D28	
13	2912170-D01	钢板板簧托瓦总成 LEAF SPRING SEAT	1	D01 D02 D03 D04 D06 D19 D21 D22 D23 D24 D48 D49 D50 D65	
	2912170-D07	钢板板簧托瓦总成 LEAF SPRING SEAT (WITH GROOVE IN THE MIDDLE)		D07	中间有槽
14	2912101-D01	钢板弹簧前吊耳销 FRONT SHACKLE PIN, LEAF SPRING	1	D01 D02 D03 D04 D19 D22 D23 D24 D48 D49 D50 D65	
	2912101-D28	钢板弹簧前吊耳销 FRONT SHACKLE PIN, LEAF SPRING (WITH NUT)		D28	带母
15	2912103-D01	钢板弹簧短橡胶衬套 SHORT RUBBER BUSHING, LEAF SPRING	3	D01 D02 D03 D04 D06 D19 D21 D22 D23 D24 D48 D49 D50 D65	
16	2912140-D75	右钢板弹簧总成 REAR LEAF SPRING ASSEMBLY, RH (4 PIECES)	1	D03 D04 D19 D24 D45 D47	4 片
17	2912131-D75	钢板弹簧第一片 LEAF SPRING, No.1	1		
18	2912132-D75	钢板弹簧第二片 LEAF SPRING, No.2	1		
19	2912133-D75	钢板弹簧第三片 LEAF SPRING, No.3	1		
20	2912134-D75	钢板弹簧第四片 LEAF SPRING, No.4	1		





转向传动装置(一) STEERING APPARATUS (1)



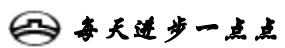
转向传动装置(一) STEERING APPARATUS (1)

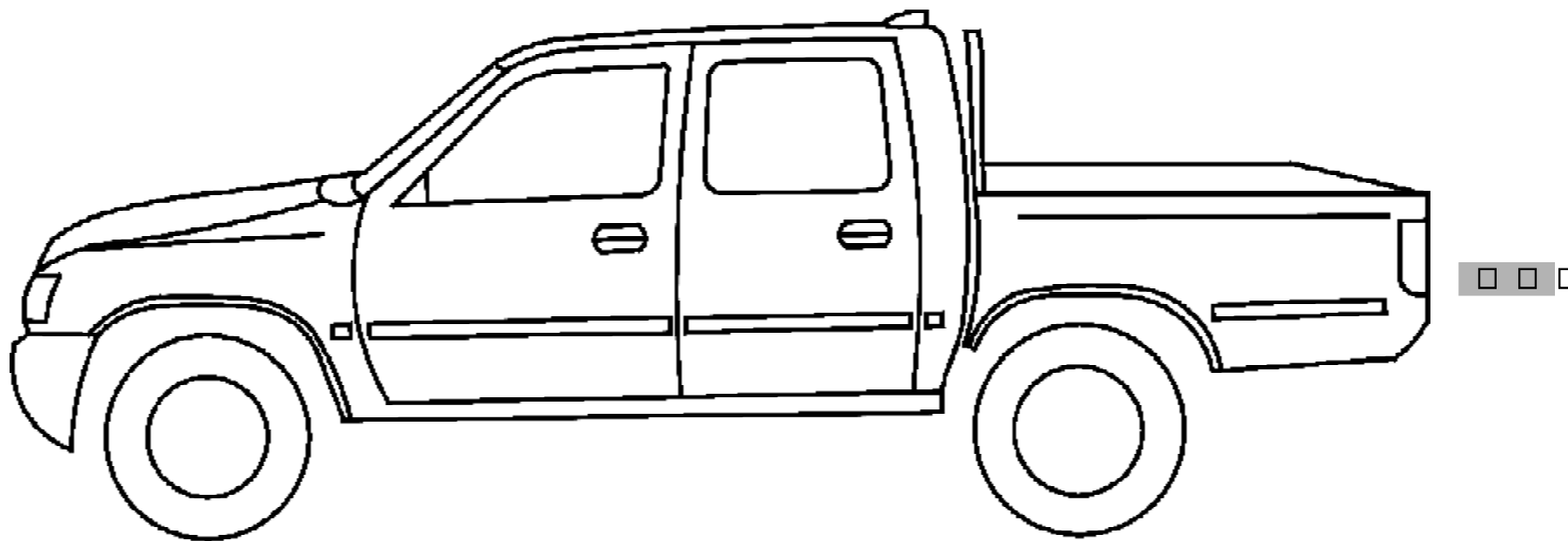
序号 S/N	零部件代号 PART CODE	零部件名称 PART NAME	用量 QTY	适用车型 VEHICLE APPLICABLE TO	备注 REMARK
	3400400-D01	转向拉杆总成 STEERING LINKAGE ASSEMBLY (2WD)	1	D01 D02 D03 D04 D06 D19 D21 D22 D23 D24 D48 D49 D50 D65 D66	两驱
	3400400-F00	转向拉杆总成 STEERING LINKAGE ASSEMBLY (4WD)		D28 D30 D07 D08	四驱
A	3400430-F00	侧拉杆总成 TIE ROD ASSEMBLY	2		
1	3400410-D01	长侧拉杆总成 INNER TIE ROD END	2	D01 D02 D03 D04 D06 D16 D17 D18	
2	3400420-D01	短侧拉杆总成 OUTER TIE ROD END	2	D19 D21 D22 D23 D24 D48 D49 D62 D63 D64 D50 D65 D66	
3	3400420-F00	短侧拉杆总成 OUTER TIE ROD END	2	D07 D08 D28 D30	
4	3400410-F00	长侧拉杆总成 INNER TIE ROD END	2		
5	3401200-F00	转向器摇臂总成 PITMAN ARM,POWER STEERING GEAR	1	D28 D30	
	3401200-F00-B1	转向器摇臂总成 PITMAN ARM,POWER STEERING GEAR (SPLINE 32 TEETH)		D07 D08	花键改细 32 齿
	3401200-F02	转向器摇臂总成 PITMAN ARM,POWER STEERING GEAR (SPLINE 28 TEETH)			花键改细 28 齿
6	3400451-F00	中横拉杆总成 CENTER TIE ROD ASSEMBLY	1	D07 D08 D28 D30	
7	3400300-F00	阻尼器总成 STEERING SHOCK ABSORBER	1		
8	3400438-D01	六角螺栓 BOLT	2	D01 D02 D03 D04 D06 D16 D17 D18 D19 D21 D22 D23 D24 D48 D49 D62 D63 D64 D50 D65 D66	
9	3401100-D01-B1	转向器总成 STEERING GEAR ASSEMBLY	1	D01 D02 D03 D04 D05 D06 D75 D50 D65 D66	
10	3401101-D01	转向器摇臂 PITMAN ARM,POWER STEERING GEAR	1	D01 D02 D03 D04 D06 D19 D21 D22 D23 D24 D48 D49 D50 D65 D66	动力
	3401101-D22	转向器摇臂 PITMAN ARM,POWER STEERING GEAR	1	D07 D08	
11	3400451-D01	中横拉杆总成 CENTER TIE ROD ASSEMBLY	1	D01 D02 D03 D04 D06 D19 D21 D22 D23 D24 D48 D49 D50 D65 D66	
12	3400440-D01	随动臂总成 STEERING IDLER ARM (2WD)	1		两驱



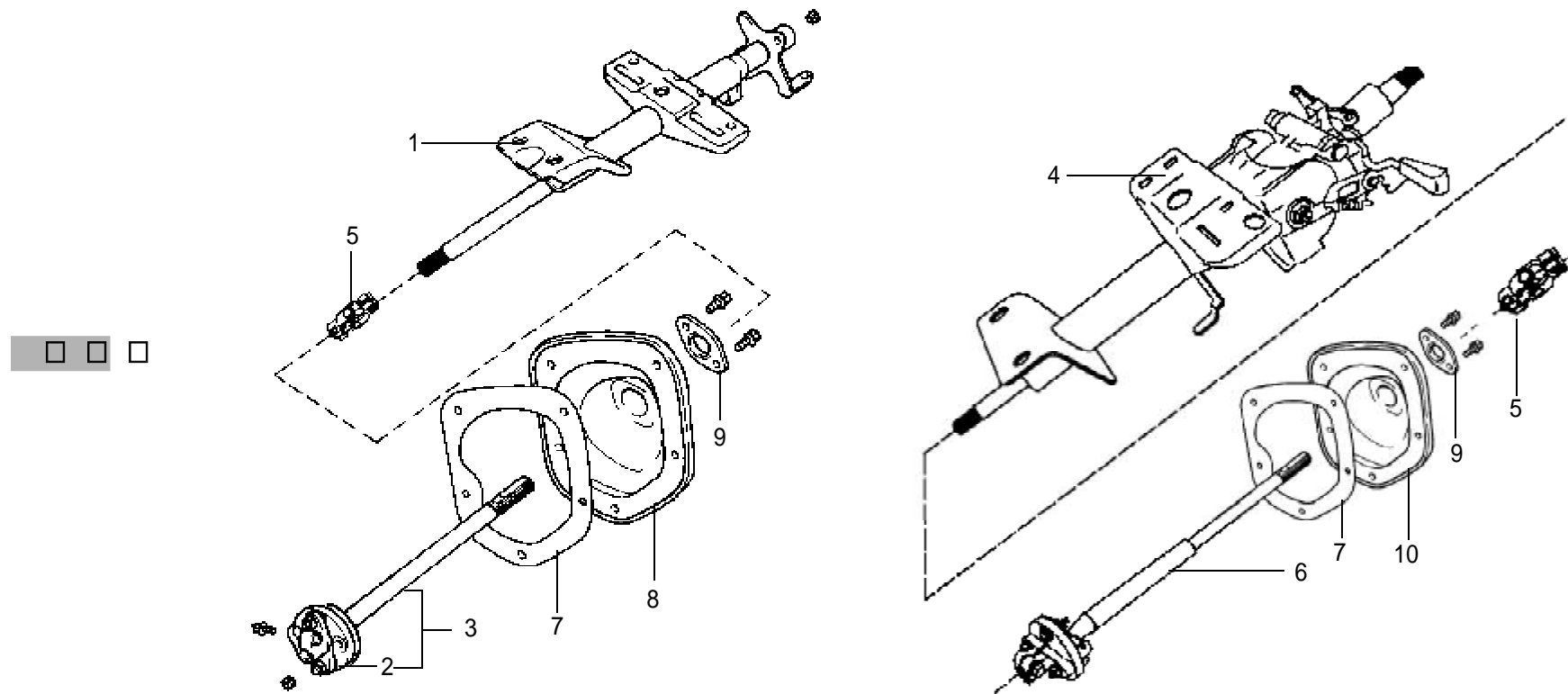
转向传动装置(一) STEERING APPARATUS (1)

序号 S/N	零部件代号 PART CODE	零部件名称 PART NAME	用量 QTY	适用车型 VEHICLE APPLICABLE TO	备注 REMARK
12	3400440-F00	随动臂总成 STEERING IDLER ARM (4WD)	1	D07 D08 D28 D30	四驱
13	3401100-F00	转向器总成 STEERING GEAR ASSEMBLY	1	D07 D08 D28 D30	
	3401100-F00-B1	转向器总成 STEERING GEAR ASSEMBLY (SPINE 32 TEETH)			花键改细 32 齿
	3401100-F02	转向器总成 STEERING GEAR ASSEMBLY (SPINE 28 TEETH)			花键改细 28 齿





转向传动装置(二) STEERING APPARATUS (2)



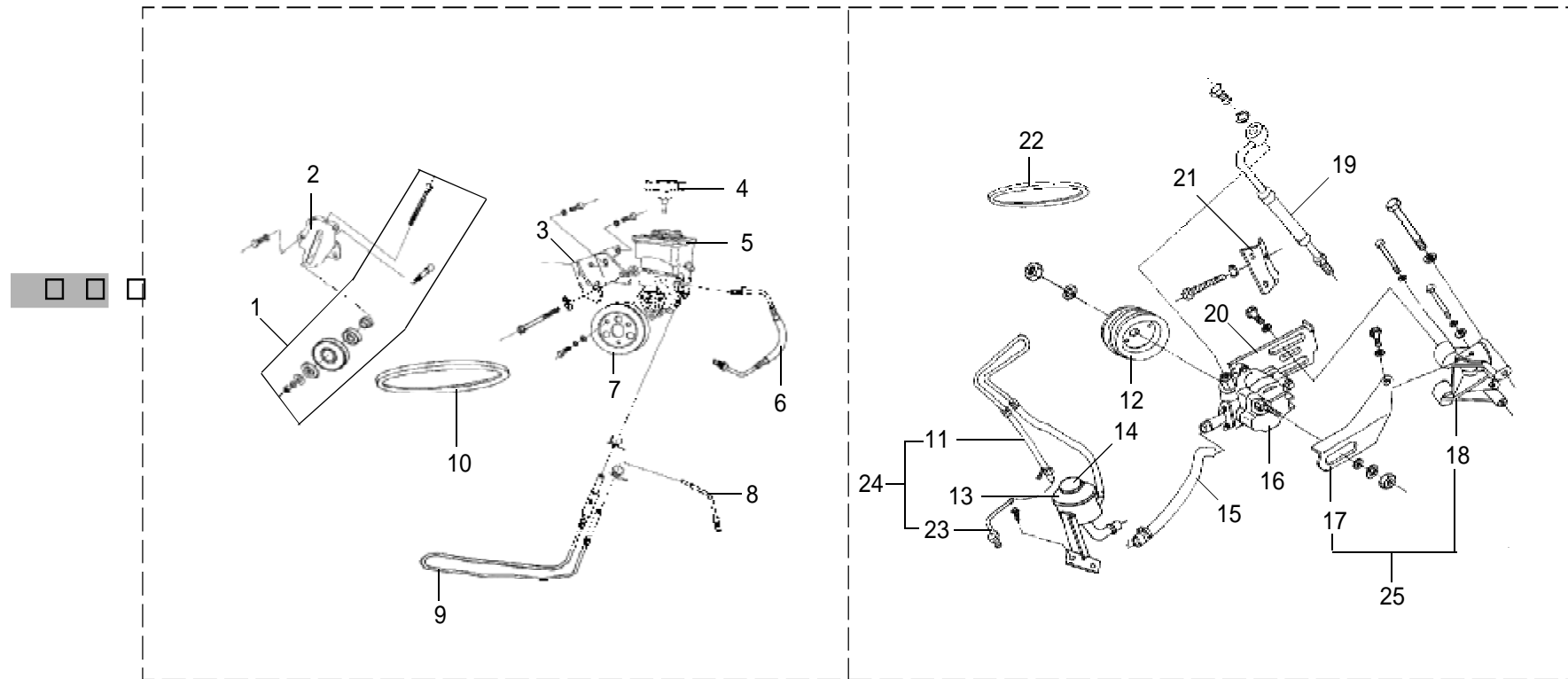
每天进步一点点

转向传动装置(二) STEERING APPARATUS (2)

序号 S/N	零部件代号 PART CODE	零部件名称 PART NAME	用量 QTY	适用车型 VEHICLE APPLICABLE TO	备注 REMARK	
1	3400100-D01-B1	转向管柱总成 STEERING COLUMN ASSEMBLY (NON-ADJUSTABLE)	1	D01 D02 D03 D04 D06 D07 D08 D16 D17 D18 D19 D21 D22 D23 D24 D43 D45 D47 D48 D49 D50 D62 D63 D64 D65 D66	不可调	
2	3400210-D01	胶盘组件 RUBBER PAD KIT, STEERING INNER ARTICULATED SHAFT	1			
3	3400200-D01-B1	转向传动轴 STEERING INNER ARTICULATED SHAFT ASSEMBLY	1			
4	3400100-D01	转向管柱总成 STEERING COLUMN ASSEMBLY (ADJUSTABLE)	1		可调式	
5	3400101-D45	万向节 UNIVERSAL JOINT (STEERING CONNECT PLUG ASSEMBLY)	1		转向接插总成	
	3400101-D01	万向节 UNIVERSAL JOINT	1			
6	3400200-D01	转向传动轴总成 STEERING INNER ARTICULATED SHAFT ASSEMBLY (POWER STEERING GEAR)	1		动力机用	
	3400200-F00	转向传动轴总 STEERING INNER ARTICULATED SHAFT ASSEMBLY (4WD)	1		D28 D30 D07 D08 四驱	
7	3400012-D01	转向轴孔盖胶垫 INSULATOR,HOLE CAP,STEERING SHAFT	1		D01 D02 D03 D04 D06 D07 D08 D16 D17 D18 D19 D21 D22 D23 D24 D43 D45 D47 D48 D49 D50 D62 D63 D64 D65 D66	
8	3400011-D01-B1	转向轴孔盖 HOLE CAP,STEERING SHAFT (NON-ADJUSTABLE)	1			不可调
9	3400500-D01	转向轴孔盖防尘罩总成 DUST COVER ASSEMBLY,HOLE CAP,STEERING SHAFT	1			
10	3400011-D01	转向轴孔盖 HOLE CAP,STEERING SHAFT (ADJUSTABLE)	1	可调		



动力转向油泵总成 POWER STEERING PUMP ASSEMBLY



动力转向油泵总成 POWER STEERING PUMP ASSEMBLY

序号 S/N	零部件代号 PART CODE	零部件名称 PART NAME	用量 QTY	适用车型 VEHICLE APPLICABLE TO	备注 REMARK
1	3407210-D01	动力转向油泵皮带涨紧轮总成 TENSION PULLEY ASSEMBLY, POWER STEERING PUMP	1	D01 D02 D04 D06 D03 D22 D23 D24 D48 D49	
2	3407201-D01	动力转向油泵皮带涨紧轮支架 TENSION PULLEY BRACKET,POWER STEERING PUMP	1		
3	3407101-D01	动力转向油泵支架 POWER STEERING PUMP BRACKET (JINCHENG)	1		金城
	3407101-F04	动力转向油泵支架 POWER STEERING PUMP BRACKET	1	D04 D06 D50 D66	
4	3407111-D01	动力转向油泵储液罐盖总成 STEERING PUMP OIL RESERVIOR CAP ASSEMBLY (JINCHENG)	1	D01 D02 D03 D04 D06 D22 D23 D24 D48 D49	金城
5	3407110-D01	动力转向油泵总成 POWER STEERING PUMP ASSEMBLY (JINCHENG)	1		金城
	3407110-F04	动力转向油泵总成 POWER STEERING PUMP ASSEMBLY	1	D50 D65	
6	3406110-D01	动力转向油泵出油管 OUTLET PIPE,POWER STEERING PUMP	1	D01 D02 D03 D04 D06	
7	3407102-D01	动力转向油泵皮带轮 PULLEY,POWER STEERING PUMP (JINCHENG)	1	D01 D02 D03 D04 D06 D22 D23 D24 D48 D49	金城
8	3406121-D01	动力转向油泵回油管接头 CONNECTOR ,OIL RETURN PIPE	1		
9	3406120-D01	转向回油管 OIL RETURN PIPE ASSEMBLY,POWER STEERING PUMP	1	D01 D02 D03 D04 D06 D50 D65	
10	3407011-D01	动力转向油泵皮带 STEERING PUMP BELT (JINCHENG)	1	D01 D02 D03 D04 D06 D22 D23 D24 D48 D49	金城 AV13×1100
	3407011-F04	动力转向油泵皮带 STEERING PUMP BELT	1	D50 D65	
11	3406120-D17	动力转向油泵回油管 OIL RETURN PIPE ASSEMBLY,POWER STEERING PUMP	1	D16 D17 D19 D21 D37	
	3406122-D66	动力转向油泵回油管 OIL RETURN PIPE ASSEMBLY,POWER STEERING PUMP	1	D66	
12	3407104-D17	动力转向油泵皮带轮 PULLEY,POWER STEERING PUMP	1	D16 D17 D19 D21 D37	
13	3408100-D17	动力转向油泵油罐总成 POWER STEERING OIL RESERVIOR	1	D16 D17 D19 D21 D37 D66	

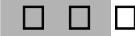


动力转向油泵总成 POWER STEERING PUMP ASSEMBLY

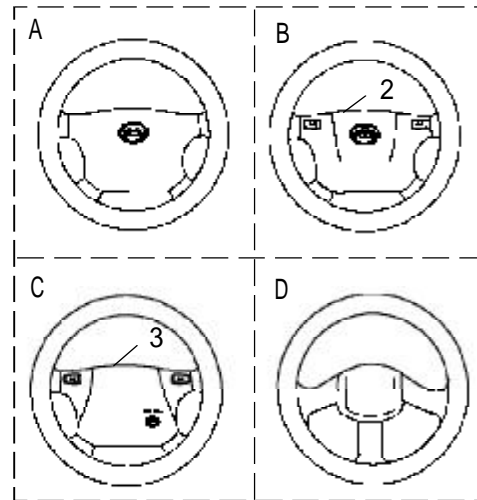
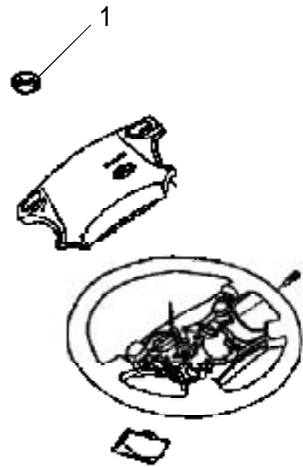
序号 S/N	零部件代号 PART CODE	零部件名称 PART NAME	用量 QTY	适用车型 VEHICLE APPLICABLE TO	备注 REMARK
14	3408110-D17	动力转向油泵油罐盖总成 POWER STEERING PUMP OIL RESERVOIR CAP ASSEMBLY	1	D16 D17 D19 D21 D37 D66	
15	3406011-F04	动力转向油泵胶管 HOSE,POWER STEERING PUMP	1	D50 D66	
	3406011-D17	动力转向油泵胶管 HOSE,POWER STEERING PUMP	1	D16 D17 D19 D21 D37 D62 D63	
16	3407110-D17	动力转向油泵总成 POWER STEERING PUMP ASSEMBLY	1	D64	
	3407110-K08	动力转向油泵总成 POWER STEERING PUMP ASSEMBLY		D66	
17	3407122-D17	动力转向油泵支架二 REAR BRACKET NO.2,POWER STEERING PUMP	1	D16 D17 D19 D21 D37 D62 D63 D64	
18	3407121-D62	动力转向油泵支架一 BRACKETKIT NO.1, POWER STEERING PUMP	1	D16 D17 D18	
19	3406110-D17	动力转向油泵出油管 OUTLET OIL PIPE,POWER STEERING PUMP	1	D16 D17 D18 D19 D21	
	3406110-D62	动力转向油泵出油管 OUTLET OIL PIPE,POWER STEERING PUMP		D62 D63 D64	
	3406110-F00-B1	动力转向油泵出油管总成 OUTLET PIPE,POWER STEERING PUMP		D50 D65 D66	
20	3407111-D17	动力转向油泵调整支架 ADJUSTING BRACKET,POWER STEERING PUMP	1	D16 D17 D18 D19 D21 D62 D63 D64	
21	3407112-D17	动力转向油泵推力板组件 THRUST PLATE KIT,POWER STEERING PUMP	1		
22	3407011-D17	动力转向油泵皮带 STEERING PUMP BELT	1		
22	3412011-P00	动力转向油泵皮带 STEERING PUMP BELT	1	D66	
23	3406121-D66	动力转向油泵回油管接头 CONNECTOR ,OIL RETURN PIPE	1	D50 D65 D66	
24	3406120-D50	动力转向油泵回油管总成 OIL RETURN PIPE ASSEMBLY,POWER STEERING PUMP	1	D50 D65	
	3406120-D50-B1	动力转向油泵回油管总成 OIL RETURN PIPE ASSEMBLY,POWER STEERING PUMP	1		

动力转向油泵总成 POWER STEERING PUMP ASSEMBLY

序号 S/N	零部件代号 PART CODE	零部件名称 PART NAME	用量 QTY	适用车型 VEHICLE APPLICABLE TO	备注 REMARK
24	3406120-F00-B1	动力转向油泵回油管总成 OIL RETURN PIPE ASSEMBLY,POWER STEERING PUMP	1	D50 D65 D66	
	3406120-D66	动力转向油泵回油管总成 OIL RETURN PIPE ASSEMBLY,POWER STEERING PUMP		D66	
25	3407120-D17	动力转向油泵支架组件 BRACKET KIT,POWER STEERING PUMP	1	D66	



方向盘总成 STEERING WHEEL ASSEMBLY

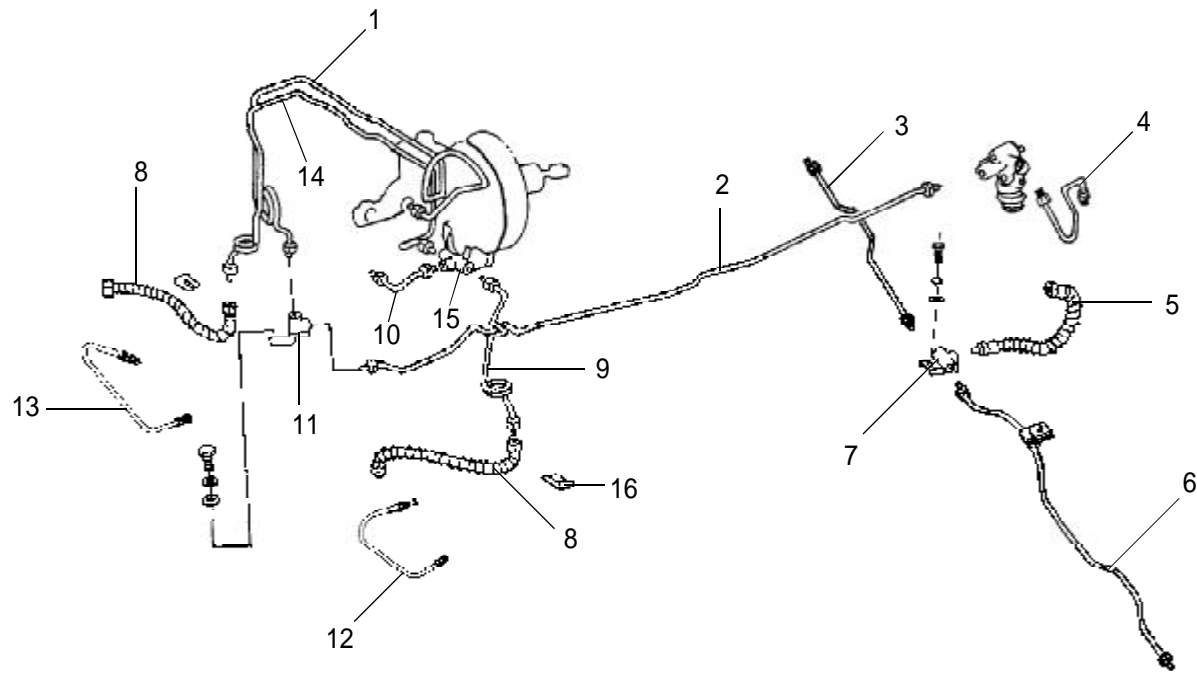


方向盘总成 STEERING WHEEL ASSEMBLY

序号 S/N	零部件代号 PART CODE	零部件名称 PART NAME	用量 QTY	适用车型 VEHICLE APPLICABLE TO	备注 REMARK
A	3402100-D43	方向盘总成 STEERING WHEEL ASSEMBLY (33 TOOTH ,ADJUSTABLE STEERING COLUMN)	1	D43 D44 D45 D46 D47 D48 D49	33 齿,配可调式转向管柱
	3402100-D44	方向盘总成 STEERING WHEEL ASSEMBLY (33 TOOTH,MODEL 02)		D22 D23 D24	33 齿, 02 款
B	3402100-D01	方向盘总成 STEERING WHEEL ASSEMBLY (LEATHER ,MADE IN SHANGHAI)	1	D01 D02 D03 D04 D06 D19 D21 D50 D65 D66	全皮, 上海产
C	3402100-D45	方向盘总成 STEERING WHEEL ASSEMBLY (36 TOOTH)	1	D43	36 齿
	3402100-D62	方向盘总成 STEERING WHEEL ASSEMBLY		D62 D63 D64	
D	3402100-D75	方向盘总成 STEERING WHEEL ASSEMBLY (3- SPOKES,BLACK)	1	D43 D44 D45 D46 D47 D48 D49 D75	三辐 黑色
1	3402103-D22	方向盘标 STEERING WHEEL LABEL (NEW MODEL)	1		新款
2	3402101-D01	方向盘喇叭盖 STEERING WHEEL COVER ASSEMBLY (MADE IN SHANHAI, THE GREATWALL LABEL IN THE MIDDLE, LIGHT COFFEE)	1	D01 D02 D03 D50 D65 D66	上海产, 长城标在中间, 浅咖啡色
3	3402101-D22-0314	方向盘喇叭盖 STEERING WHEEL COVER ASSEMBLY (MODEL 03 ,LIGHT COFFEE)	1		2003 款, 浅咖啡色
	3402101-D45-1208	方向盘喇叭盖 STEERING WHEEL COVER ASSEMBLY (MODEL 02, LIGHT GRAY)		D22 D23 D24 D48 D49	02 款浅灰



制动管路装置 BRAKING LINE DEVICE



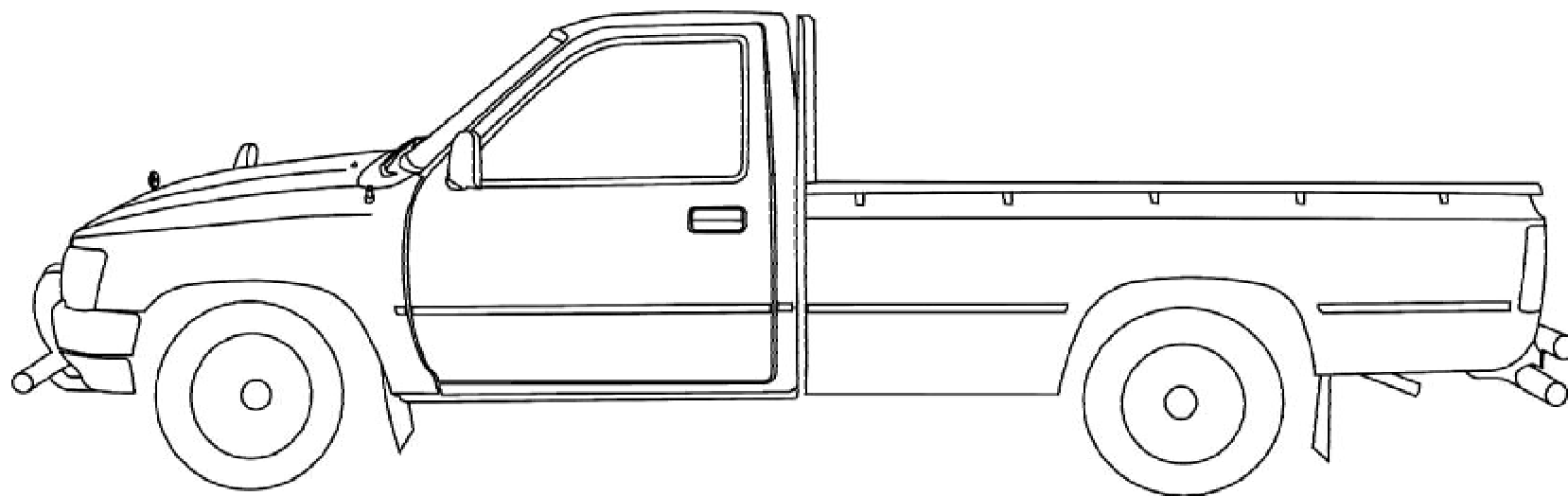
制动管路装置 BRAKING LINE DEVICE

序号 S/N	零部件代号 PART CODE	零部件名称 PART NAME	用量 QTY	适用车型 VEHICLE APPLICABLE TO	备注 REMARK
1	3506111-D01	总泵至两通制动油管 BRAKE OIL PIEP,MASTER CYLINDER TO 2-WAY VALVE	1	D01 D02 D03 D04 D06 D16 D17 D18 D19 D21 D22 D23 D24 D48 D49 D50 D62 D63 D64 D65 D66	φ 4.75×0.71×1935
	3506111-D07	总泵至两通制动油管 BRAKE OIL PIEP,MASTER CYLINDER TO 2-WAY VALVE		D07	φ 4.75×1960
	3506111-D01	总泵至两通制动油管 BRAKE OIL PIEP,MASTER CYLINDER TO 2-WAY VALVE		D01 D02 D03 D16 D17 D18 D50 D62 D63 D64 D65	φ 4.75×0.71×820
2	3506113-D01	后制动油管 REAR BRAKE OIL PIPE	1	D01 D22 D43 D44 D50 D65	φ 4.75×2825
	3506113-D17	后制动油管 REAR BRAKE OIL PIPE		D02 D17 D23 D46	φ 4.75×0.71×3340
	3506113-D75	后制动油管 REAR BRAKE OIL PIPE		D03 D04 D24 D25 D45 D47	φ 4.75×3045
	3506113-D62	后制动油管 REAR BRAKE OIL PIPE		D62 D66	φ 4.75×3460
	3506113-D07	后制动油管 REAR BRAKE OIL PIPE		D31 D34	φ 4.75×3035
	3506113-D06	后制动油管 REAR BRAKE OIL PIPE		D06 D21	
3	3506118-D01	右后制动油管 REAR BRAKE OIL PIPE,RH	1	D01 D02 D03 D04 D06 D19 D21 D22 D23 D24 D48 D49 D50 D65 D66	φ 4.75×385
	3506118-D07	右后制动油管 REAR BRAKE OIL PIPE,RH		D07 D08	φ 4.75×389
4	3506114-D01	感载比例阀油管 OIL PIPE,LOAD-SENSING PROPORTIONING VALVE	1	D01 D02 D03 D04 D06 D19 D21 D22 D23 D24 D48 D49 D50 D65 D66	φ 4.75×248
	3506114-D07	感载比例阀油管 OIL PIPE,LOAD-SENSING PROPORTIONING VALVE		D07 D08	φ 4.75×445
5	3506115-D01	后制动软管 REAR BRAKE HOSE	1	D01 D02 D03 D04 D06 D19 D21 D22 D23 D24 D48 D49 D50 D65 D66	φ 4.75×1030
6	3506117-D01	左后制动油管 REAR BRAKE OIL PIEP,LH			
	3506117-D22	左后制动油管 REAR BRAKE OIL PIEP,LH (1996)		D22	96 款
7	3506116-D01	后三通 REAR 3-WAY VALVE	1	D01 D02 D03 D04 D06 D19 D21 D22 D23 D24 D48 D49 D50 D65 D66	
	3506116-D07	后三通 REAR 3-WAY VALVE		D07 D08	

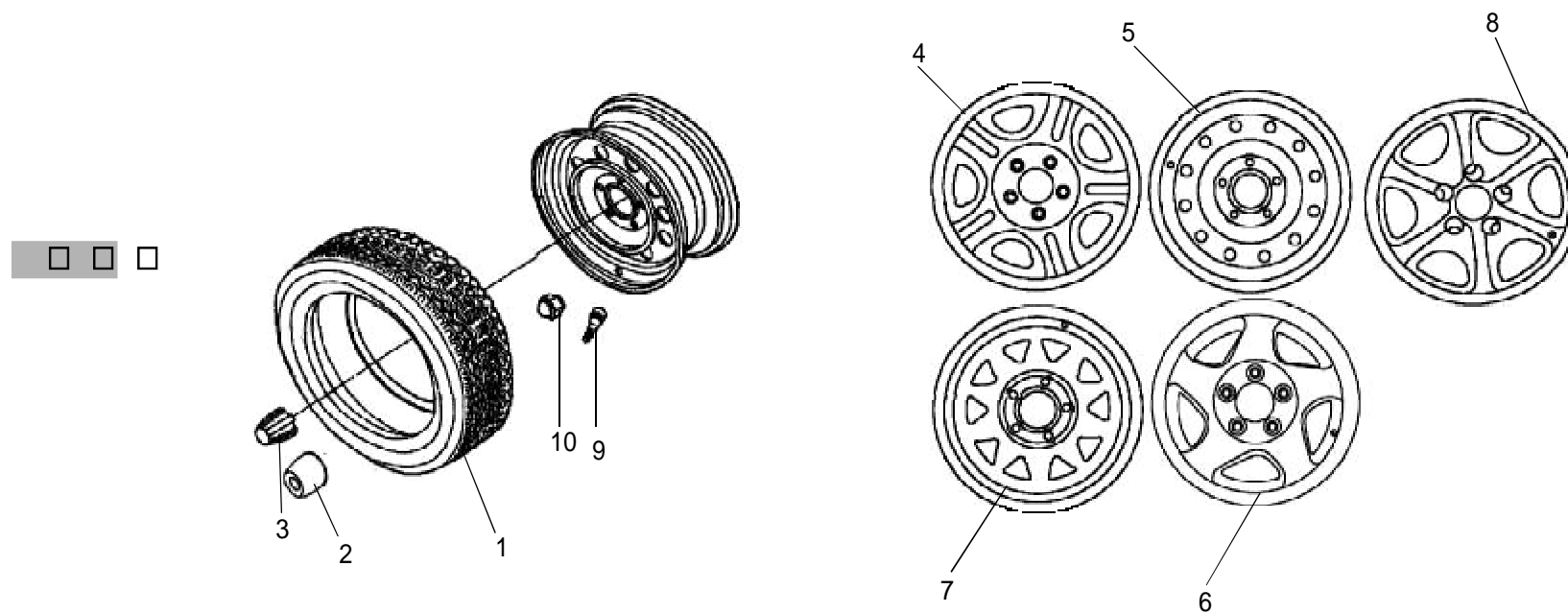



制动管路装置 BRAKING LINE DEVICE

序号 S/N	零部件代号 PART CODE	零部件名称 PART NAME	用量 QTY	适用车型 VEHICLE APPLICABLE TO	备注 REMARK
8	3506104-D01	前制动软管 FRONT BRAKE HOSE	2	D01 D02 D03 D04 D06 D19 D21 D22 D23 D24 D48 D49 D50 D65 D66	
9	3506102-D01	左前制动油管 FRONT BRAKE OIL PIPE,LH	1	D01 D02 D03 D04 D06 D19 D21 D50 D65 D66	φ 4.75×800
	3506102-D07	左前制动油管 FRONT BRAKE OIL PIPE,LH		D07 D08	φ 4.75×855
10	3506101-D01	总泵至前三通制动油管 OIL PIPE ,MASTER CYLINDER TO FRONT 3-WAY VALVE	1	D01 D02 D03 D04 D06 D19 D21 D16 D17 D18 D50 D62 D63 D64 D65 D66	φ 4.75×296
11	3506112-D01	前两通 FRONT 2-WAY VALVE	1		
	3506112-D01	前二通 FRONT 2-WAY VAVLE	1	D66	
12	3506103-D01	左前制动分泵油管 BRAKE RELEASE CYLINDER OIL PIPE,FLH	1	D01 D02 D03 D04 D06 D19 D21 D16 D17 D18 D50 D62 D63 D64 D65 D66	φ 4.75×205A
	3506103-D07	左前制动分泵油管 BRAKE RELEASE CYLINDER OIL PIPE,FLH		D07 D08	φ 4.75×201A
13	3506107-D01	右前制动分泵油管 OIL PIPE,FRONT BRAKE WHEEL CYLINDER ,RH	1	D01 D02 D03 D04 D06 D19 D21 D22 D23 D24 D48 D49 D50 D65	φ 4.75×205B
	3506107-D07	右前制动分泵油管 OIL PIPE,FRONT BRAKE WHEEL CYLINDER ,RH		D07	φ 4.75×201B
14	3506106-D01	右前制动油管 FRONT BRAKE OIL PIPE,RH	1	D01 D02 D03 D22 D23 D24 D48 D49 D50 D65 D66	φ 4.75×1596
	3506106-D07	右前制动油管 FRONT BRAKE OIL PIPE,RH		D07	φ 4.75×1714
15	3505102-D01	前三通 FRONT 3-WAY VAVLE	1	D01 D02 D03 D04 D06 D19 D21 D22 D23 D24 D48 D49 D66	
16	3506105-D01	弹簧卡片 SPRING CLIP	4	D66	



车轮总成 WHEEL ASSEMBLY



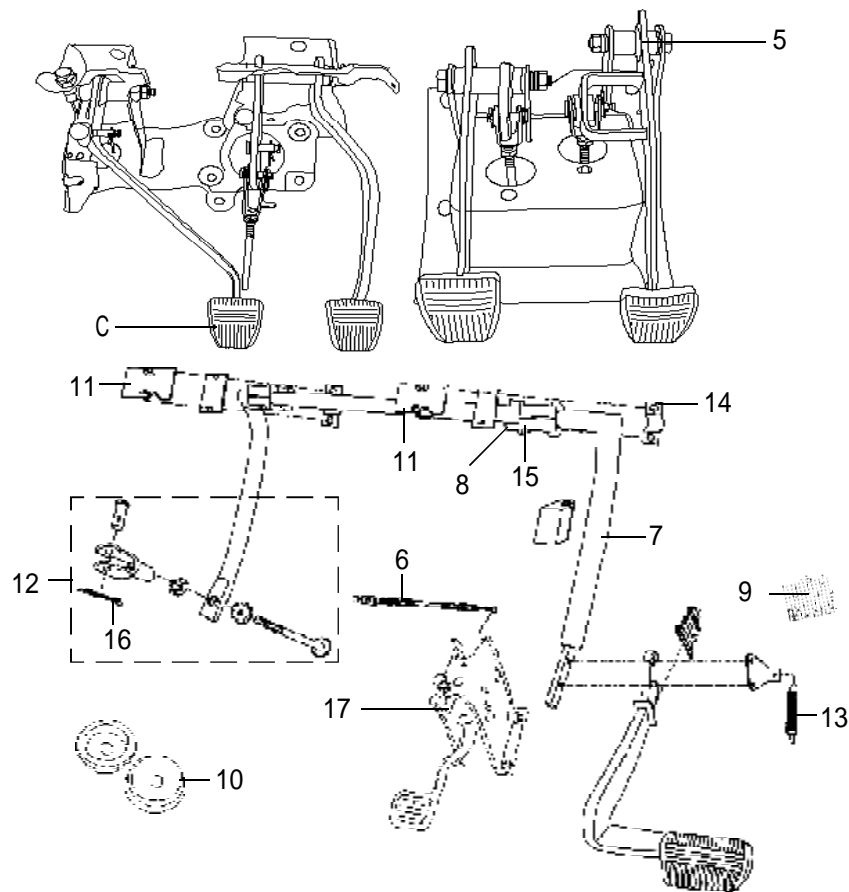
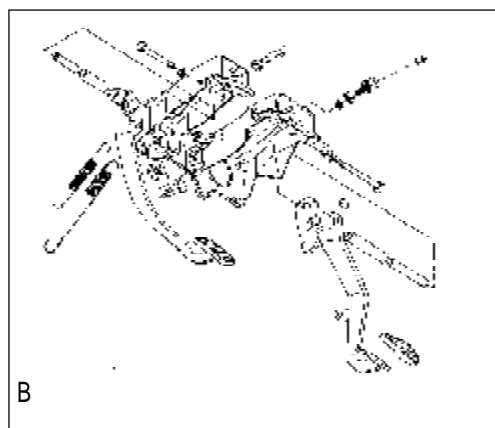
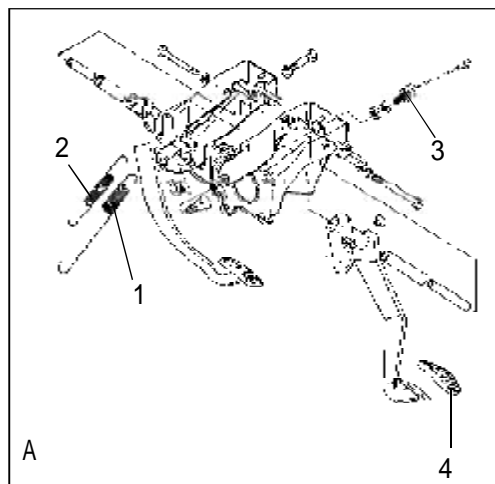
 每天进步一点点

车轮总成 WHEEL ASSEMBLY

序号	零部件代号	零部件名称	用量	适用车型	备注
S/N	PART CODE	PART NAME	QTY	VEHICLE APPLICABLE TO	REMARK
1	3101120-D01	轮胎 TIRE (JIATONG)	5	D01 D02 D03 D04 D06 D19 D21 D22 D23 D24 D50 D65 D66	佳通
	3101120-D62	轮胎 TIRE (205 JINHU)		D62 D63 D64	205 锦湖
	3101120-D07	轮胎 TIRE (HT 215/75)		D01 D02 D03 D22 D23 D24 D01 D02 D03 D22 D23 D24	韩泰 215/75
	3101120-D75	轮胎 TIRE (JINHU 215/75)		D01	锦湖 215/75
2	3101011-D01	轴头盖 TRIM CAP	5	D01 D02 D03 D04 D06 D19 D21 D50 D65 D66	
	3101011-D75	轴头盖 TRIM CAP (MODEL 04 ,SHANGHAI STEEL RING)		D75	04 款,配上海产钢圈
3	3101130-D62	轴头盖 TRIM CAP		D43 D44 D47 D48 D49 D62 D63 D64	
4	3101110-D01	车轮 WHEEL (FIVE-SPOKE & FIVE HOLE,WITH GROOVE)		D01 D02 D03 D04 D06 D19 D21 D50 D65 D66	五辐五孔辐有凹槽
5	3101110-D62	车轮 WHEEL (IRON R14)	5	D43 D44 D47 D48 D49 D62 D63 D64	铁 R14
6	3101110-D75-B1	车轮 WHEEL (R15,YELLOW, SPARE TIRE SPECIAL)	1	D04 D06 D19 D21 D43 D44 D45 D46 D47 D48 D49	R15 黄色备胎专用
7	3101110-D75	车轮 WHEEL (R15, IRON STEEL RING)	5	D01 D02 D03 D22 D23 D24 D45 D47 D48 D49 D50 D65 D66	R15 铁钢圈
8	3101110-D17	车轮 WHEEL(MODEL 2004,SIX- SPOKE,ALUMINUM ALLOY)	5	D01 D02 D03 D07 D08 D50 D65 D66	2004 款六辐铝合金
9	3101130-D01	气门嘴总成 TIRE VALVE	5	D01 D02 D03 D04 D06 D16 D17 D18 D19 D21D50 D62 D63 D64 D65 D66	
10	2403115-D01	车轮螺母 WHEEL NUT(LEFT HANDED ROTATION)	10	D01 D02 D03 D04 D06 D16 D17 D18 D19 D21 D50 D62 D63 D64 D65	左旋
	2403113-D01	车轮螺母 WHEEL NUT (RIGHT HANDED ROTATION)	10	D01 D02 D03 D04 D06 D07 D08 D16 D17 D18 D19 D21D50 D62 D63 D64 D65	右旋



制动与离合器踏板总成 BRAKE & CLUTCH PEDAL ASSEMBLY



制动与离合器踏板总成 BRAKE & CLUTCH PEDAL ASSEMBLY

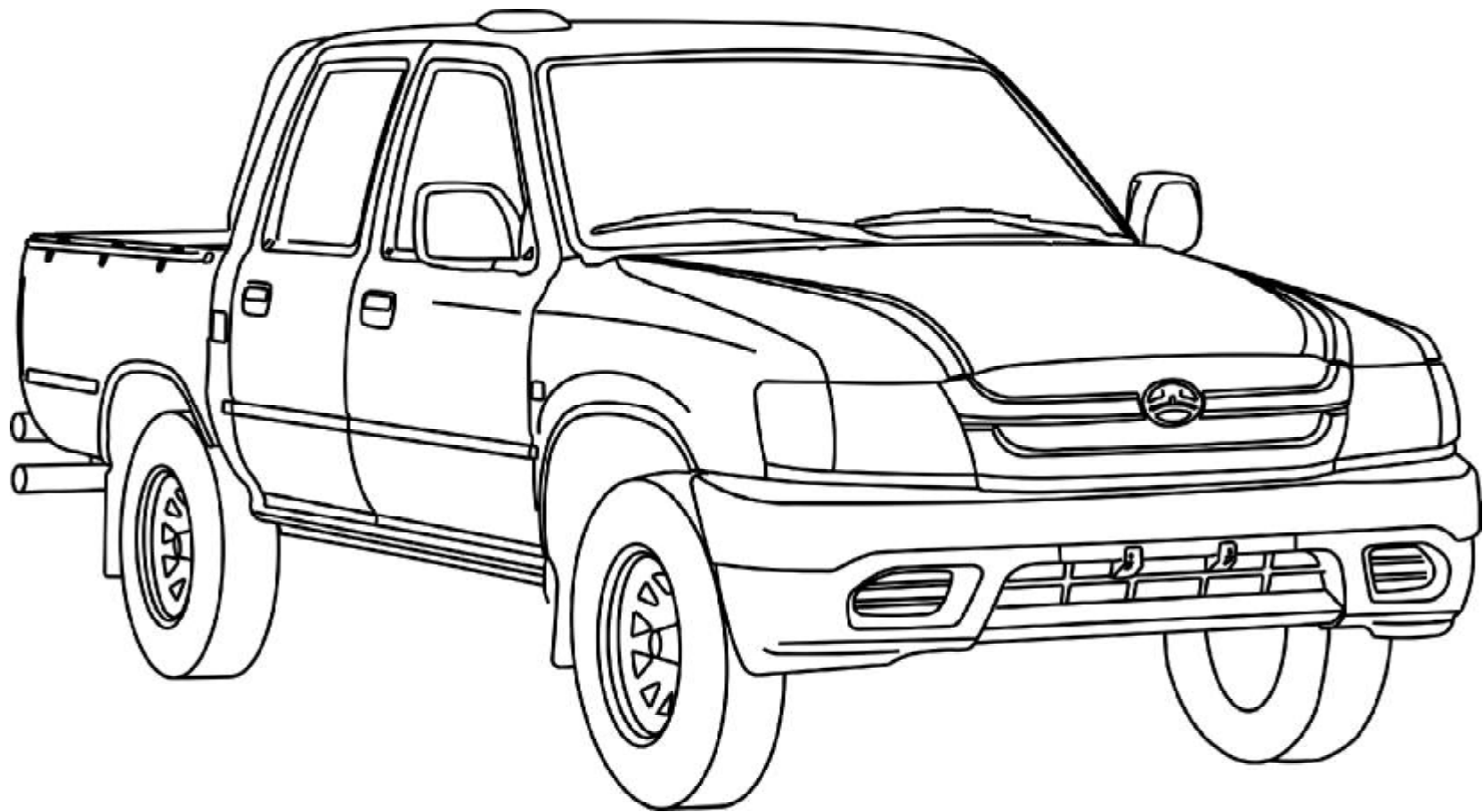
序号 S/N	零部件代号 PART CODE	零部件名称 PART NAME	用量 QTY	适用车型 VEHICLE APPLICABLE TO	备注 REMARK
A	3504100-D01	制动与离合踏板总成 BRAKE & CLUTCH PEDAL ASSEMBLY	1	D01 D02 D03 D04 D06 D19 D21 D22 D23 D24 D48 D49 D50 D65 D66	
B	3504100-D75	制动与离合踏板总成 BRAKE & CLUTCH PEDAL ASSEMBLY (CONNECTING ROD LEARNER DRIVEN VEHICLE)		D71 D73 D75	连杆式教练车
C	3504100-D75-B1	制动与离合踏板总成 BRAKE & CLUTCH PEDAL ASSEMBLY (OIL HYDRAULICS LEARNER DRIVEN VEHICLE)			油压式教练车
1	3504115-D01	制动踏板回位弹簧 RETURN SPRING,BRAKE PEDAL	1	D01 D02 D03 D04 D06 D19 D21 D22 D23 D24 D48 D49 D50 D65 D66	
2	3504114-D01	离合器踏板回位弹簧 RETURN SPRING,CLUTCH PEDAL	1		
3	4134023-D01	制动灯开关 BRAKE LAMP SWITCH	1		
4	3504112-D01	制动踏板橡皮套 RUBBER SLEEVE,BRAKE PEDAL	1		
5	3504500-D75	副制动、离合踏板总成 SECONDARY BRAKE & SECONDARY CLUTCH ASSEMBLY (OIL HYDRAULICS LEARNER DRIVEN VEHICLE)	1	D71 D73 D75	油压式教练车
6	3504410-D75	副离合拉线总成 CABLE ASSEMBLY,SECONDARY CLUTCH	1		
7	3504211-D75	副制动杠杆 SECONDARY BRAKE LEVER	1		
8	3504214-D75	副制动杠杆限位块 LIMITTING STOPPER,SECONDARY BRAKE LEVER	1		
9	3504216-D75	副制动回位簧支架 BRACKET,SECONDARY BRAKE RETURN SPRING	1		
10	3504301-D75	副制动摇臂密封套 SEAL SLEEVE,SECONDARY BRAKE ROCKER	1		
11	3504215-D75	副制动杠杆加强板 REINFORCEMENT PANEL, SECONDARY BRAKE LEVER	1	D71 D73 D75	
12	3504230D75	副制动连杆组件 LINKAGE KIT,SECONDARY BRAKE	1		
13	3504217-D75	副制动回位簧 RETURN SPRING,SECONDARY BRAKE	1		
14	3504213-D75	副制动杠杆卡箍 CLAMP,SECONDARY LEVER	2	D71 D73 D75	



制动与离合器踏板总成 BRAKE & CLUTCH PEDAL ASSEMBLY

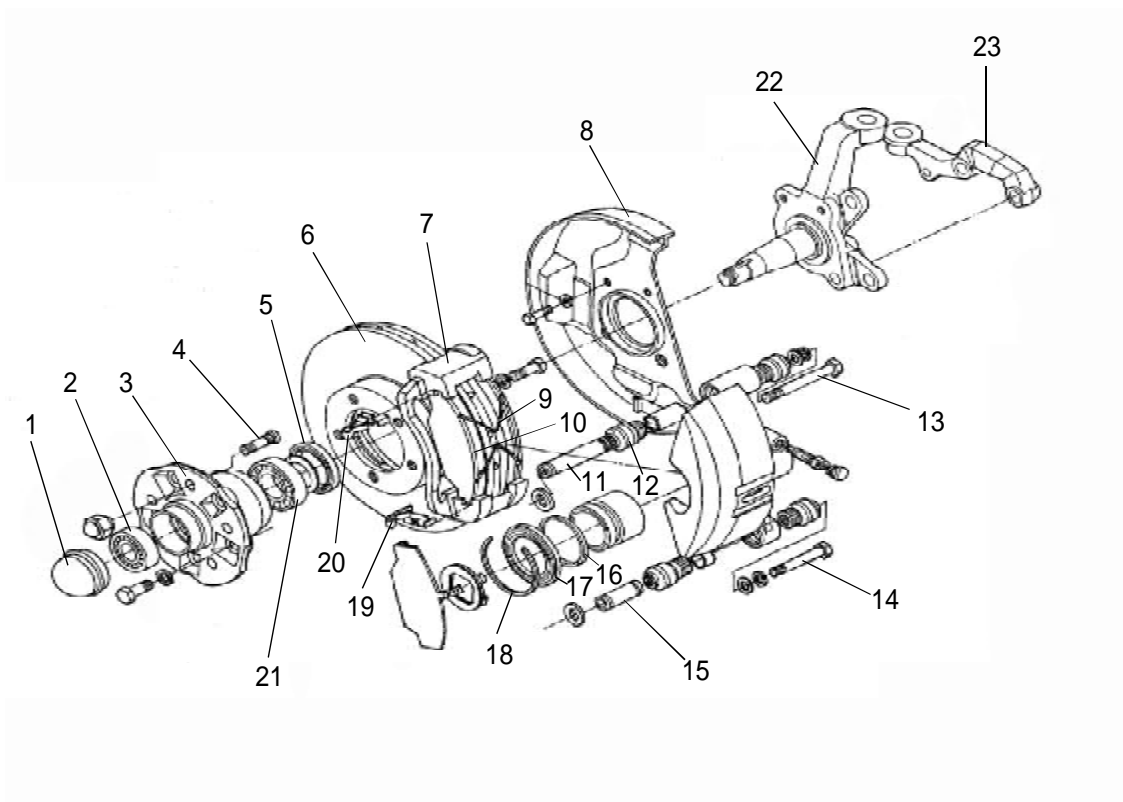
序号 S/N	零部件代号 PART CODE	零部件名称 PART NAME	用量 QTY	适用车型 VEHICLE APPLICABLE TO	备注 REMARK
15	3504212-D75	副制动杠杆衬套 SECONDARY BRAKE LEVER BUSHING	2	D71 D73 D75	
16	3504232-D75	副制动拉杆连接叉销 CONNECTING PIN,SECONDARY BRAKE LINKAGE	1		
17	3504240-D75	副离合器踏板总成 PEDAL ASSEMBLY,SECONDARY CLUTCH			





 每天进步一点点

左转向节及轮毂制动器装配总成 LEFT STEERING KNUCKLE & WHEEL BRAKE ASSEMBLY



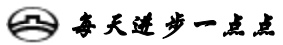
左转向节及轮毂制动器装配总成 LEFT STEERING KNUCKLE & WHEEL BRAKE ASSEMBLY

序号 S/N	零部件代号 PART CODE	零部件名称 PART NAME	用量 QTY	适用车型 VEHICLE APPLICABLE TO	备注 REMARK
	3001200-D01	左转向节及轮毂制动器装配总成 LEFT STEERING & WHEEL HUB BRAKE ASSEMBLY	1	D01 D02 D03 D04 D06 D16 D17 D18 D19 D21 D22 D23 D24 D48 D49 D50 D62 D63 D64 D65 D66	
1	3001109-D01	前轮毂盖 FRONT WHEEL HUB COVER	1		
2	30205	转向节外轴承 OUTER BEARING,STEERING KNUCKLE	1		
3	3103012-D01	前轮轮毂 FRONT WHEEL HUB	1		
4	3103105-D01	轮毂螺栓-左前 WHEEL HUB BOLT(LEFT HANDED ROTATION)	5		
5	3001105-D01	前轮毂挡圈 RETAINER RING,FRONT WHEEL HUB	1		
6	3103101-D01	前制动盘 FRONT BRAKE DISC	1		
7	3501100-D01	左前制动钳总成 FRONT BRAKE CALIPER,LH	1		
8	3001101-D01	左前制动盘罩壳 BRAKE HOUSING,FRONT,LH	1		
9	3501122-D01	制动块卡簧 SNAP RING,FRICITION LINING	2	D01 D02 D03 D16 D17 D18 D22 D23 D24 D48 D49 D62 D63 D64	
10	3501130-D01	制动块总成 BRAKE PAD ASSEMBLY	2		
11	3501111-D01	钳体滑动导管长 CALIPER SLIDING DUCT	1		
12	3501107-D01	滑动导管防尘罩 DUST COVER,CALIPER SLIDING DUCT	4		
13	3501119-D01	制动钳导柱长螺栓 LONG BOLT,BRAKE CALIPER GUIDE POST	1		
14	3501121-D01	制动钳导柱短螺栓 SHORT BOLT,BRAKE CALIPER GUIDE POST	1		
15	3501112-D01	钳体滑动导管短 CALIPER SLIDING DUCT (SHORT)	1		
16	3501114-D01	矩形密封圈 RECTANGULAR SEALING RING	1		
17	3501115-D01	活塞防尘罩 PISTON DUST COVER	1		
18	3501116-D01	活塞防尘罩卡簧 SNAP RING,PISTON DUST COVER	1		
19	3501104-D01	制动块一号锁片 LOCK PIECE NO.1,BRAKE PAD	2		
20	3501105-D01	制动块二号锁片 LOCK PIECE NO.2,BRAKE PAD	2		



左转向节及轮毂制动器装配总成 LEFT STEERING KNUCKLE & WHEEL BRAKE ASSEMBLY

序号 S/N	零部件代号 PART CODE	零部件名称 PART NAME	用量 QTY	适用车型 VEHICLE APPLICABLE TO	备注 REMARK
21	32007X	转向节内轴承 INNER BEARING,STEERING KNUCKLE	1	D01 D02 D03 D04 D06 D16 D17	
22	3001111-D01	左转向节总成 STEERING KNUCKLE,LH	1	D18 D19 D21 D22 D23 D24 D48	
23	3001130-D01	左转向节臂总成 STEERING ARM ASSEMBLY,LH	1	D49 D62 D63 D64 D50 D65 D66	



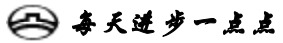
右转向节及轮毂制动器装配总成 RIGHT STEERING KNUCKLE & WHEEL BRAKE ASSEMBLY

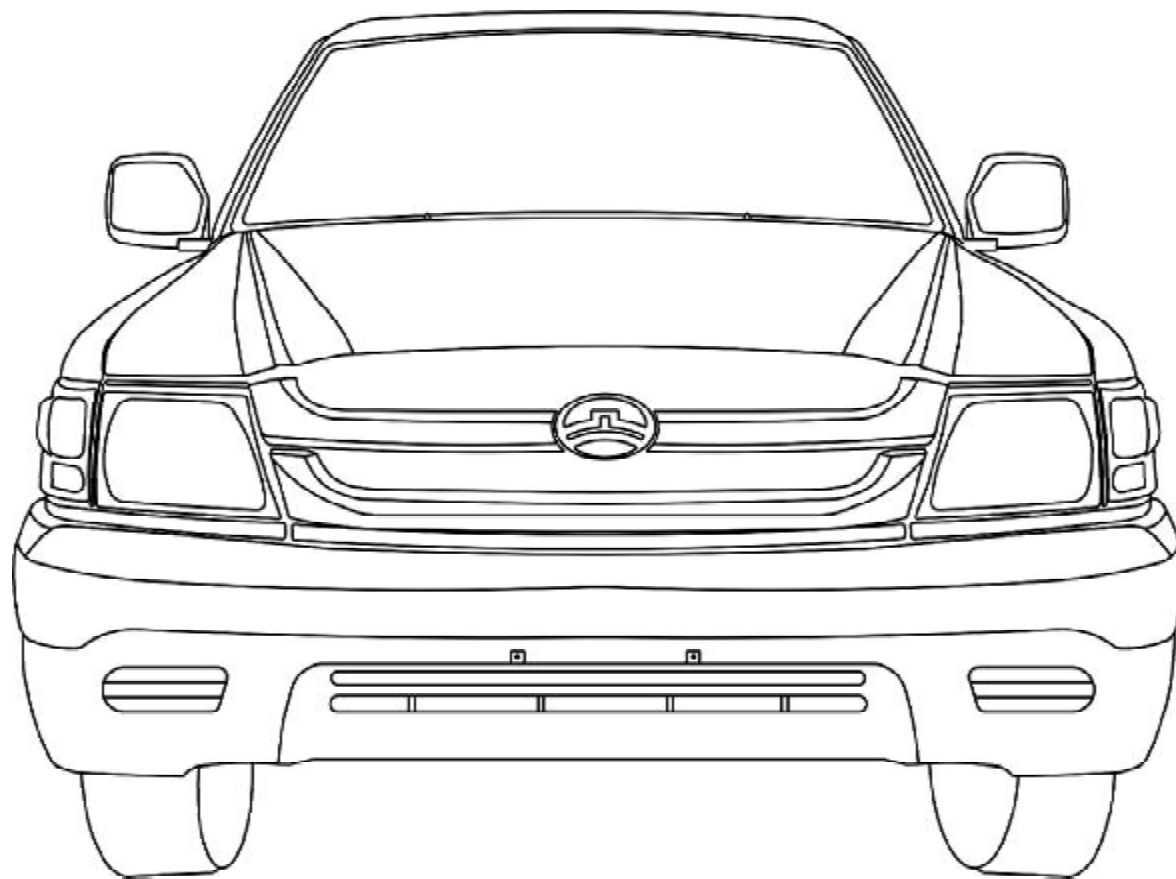
序号 S/N	零部件代号 PART CODE	零部件名称 PART NAME	用量 QTY	适用车型 VEHICLE APPLICABLE TO	备注 REMARK	
	3001100-D01	右转向节及轮毂制动器装配总成 RIGHT STEERING KNUCKLE & WHEEL BRAKE ASSEMBLY	1	D01 D02 D03 D04 D06 D16 D17 D18 D19 D21 D22 D23 D24 D48 D49 D50 D62 D63 D64 D65 D66		
1	3001109-D01	前轮毂盖 FRONT WHEEL HUB COVER	1			
2	30205	转向节外轴承 OUTER BEARING,STEERING KNUCKLE	1			
3	3103102-D01	前轮轮毂 FRONT WHEEL HUB	1			
4	3103104-D01	轮毂螺栓 WHEEL HUB BOLT	5			
5	3001015-D01	前轮毂挡圈 RETAINER RING,FRONT WHEEL HUB	1			
6	3103101-D01	前制动盘 FRONT BRAKE DISC	1			
7	3501200-D01	右前制动钳总成 FRONT BRAKE CALIPER,RIGHT	1			
8	3001102-D01	右前制动盘罩壳 BRAKE HOUSING,FRONT,RH	1			
9	3501122-D01	制动块卡簧 SNAP RING,FRICITION LINING	2		D01 D02 D03 D16 D17 D18 D22 D23 D24 D48 D49 D62 D63 D64	
10	3501130-D01	制动块总成 BRAKE PAD ASSEMBLY	2			
11	3501111-D01	钳体滑动导管长 CALIPER SLIDING DUCT	1			
12	3501107-D01	滑动导管防尘罩 DUST COVER,CALIPER SLIDING DUCT	4			
13	3501119-D01	制动钳导柱螺栓长 LONG BOLT,BRAKE CALIPER GUIDE POST	1			
14	3501121-D01	制动钳导柱螺栓短 SHORT BOLT,BRAKE CALIPER GUIDE POST	1			
15	3501112-D01	钳体滑动导管短 CALIPER SLIDING DUCT (SHORT)	1			
16	3501114-D01	矩形密封圈 RECTANGULAR SEALING RING	1			
17	3501115-D01	活塞防尘罩 PISTON DUST COVER	1			
18	3501116-D01	活塞防尘罩卡簧 SNAP RING,PISTON DUST COVER	1			
19	3501104-D01	制动块一号锁片 LOCK PIECE NO.1,BRAKE PAD	2			
20	3501105-D01	制动块二号锁片 LOCK PIECE NO.2,BRAKE PAD	2			
21	32007X	转向节内轴承 INNER BEARING,STEERING KNUCKLE	1			




右转向节及轮毂制动器装配总成 RIGHT STEERING KNUCKLE & WHEEL BRAKE ASSEMBLY

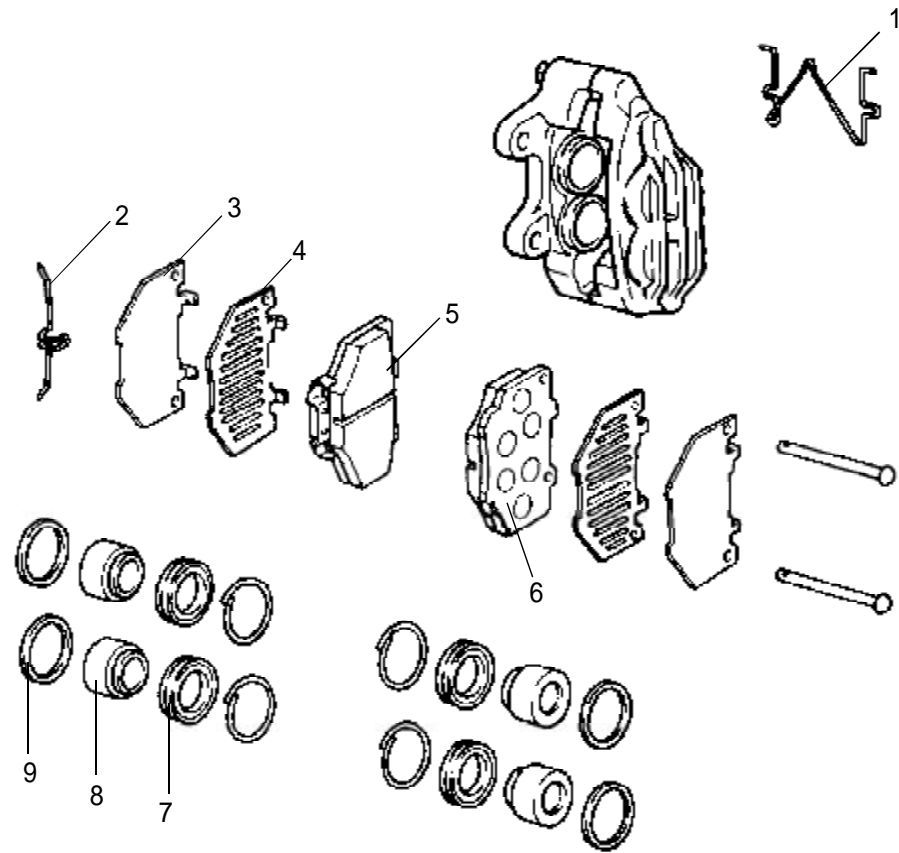
序号 S/N	零部件代号 PART CODE	零部件名称 PART NAME	用量 QTY	适用车型 VEHICLE APPLICABLE TO	备注 REMARK
22	3001120-D01	右转向节总成 STEERING KNUCKLE ASSEMBLY,RH	1	D01 D02 D03 D04 D06 D16 D17 D18 D19 D21 D22 D23 D24 D48 D49 D50 D62 D63 D64 D65 D66	
23	3001140-D01	右转向节臂总成 STEERING ARM ASSEMBLY,RH	1		





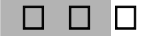
 每天进步一点点

四驱前制动钳总成 4WD FRONT BRAKE CALIPER ASSEMBLY



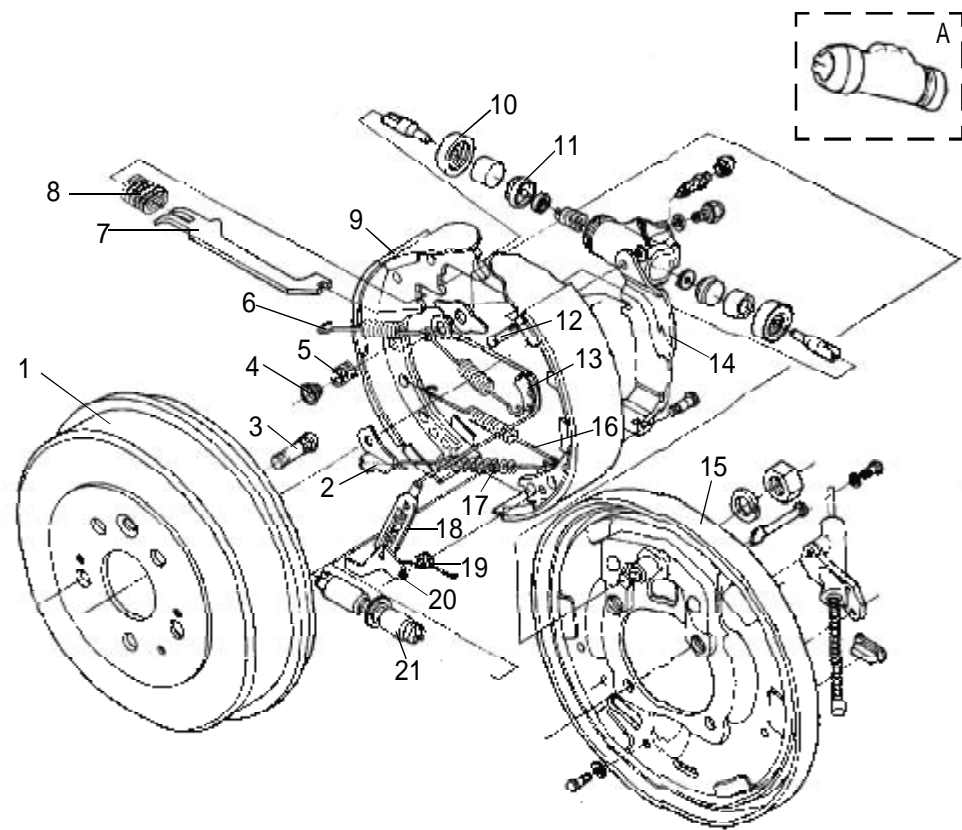
四驱前制动钳总成 4WD FRONT BRAKE CALIPER ASSEMBLY

序号 S/N	零部件代码 PART CODE	零部件名称 PART NAME	用量 QTY	适用车型 VEHICLE APPLICABLE TO	备注 REMARK
	3501100-F00	左前制动钳总成 FRONT BRAKE CALIPER,LH	1	D07 D08 D09 D28 D30	
	3501200-F00	右前制动钳总成 FRONT BRAKE CALIPER,RH	1		
1	3501112-F00	制动块卡簧 SNAP SPRING,BRAKE PAD	4		
2	3501109-F00	导向销锁簧 LOCK SPRING,GUIDE PIN	2		
3	3501104-F00	消音片 SILENT PAD	4		
4	3501119-F00	隔片 SPACER	4		
5	3501130-F00	左外侧制动块总成 OUTER BRAKE PAD,LEFT	2		
6	3501140-F00	右外侧制动块总成 OUTER BRAKE PAD,RIGHT	2		
7	3501106-F00	活塞防尘罩 PISTON DUST COVER	8		
8	3501102-F00	活塞 PISTON	8		
9	3501103-F00	矩形密封圈 RECTANGULAR SEALING RING	8		



每天进步一点点

左后制动器总成（一） LEFT REAR BRAKE ASSEMBLY(1)



左后制动器总成（一） LEFT REAR BRAKE ASSEMBLY(1)

序号 S/N	零部件代号 PART CODE	零部件名称 PART NAME	用量 QTY	适用车型 VEHICLE APPLICABLE TO	备注 REMARK
	3502100-D01	后左制动器总成 BRAKE ASSEMBLY,REAR,LH	1	D01 D02 D03 d04 D04 D06 D16 D17 D18 D19 D21 D22 D23 D24 D48 D49 D62 D63 D64	
A	3502210-D01	后轮缸总成 REAR BRAKE WHEEL CYLINDER ASSEMBLY	1		
1	3502011-D01	后制动毂 REAR BRAKE DRUM	1		
2	3502127-D01	左自动辅助拉簧支架 AUTOMATIC ASSISTANT TENSION SPRING BRACKET,LH	1		
3	2403114-D01	车轮螺栓 WHEEL BOLT (LEFT HANDED ROTATION)	5		左旋
4	3502121-D01	压簧座 COMPRESSION SPRING SEAT	2		
5	3502123-D01	压簧 REAR BRAKE SHOE COMPRESSION SPRING	2		
6	3502107-D01	回位弹簧 RETURN SPRING	2		
7	3502103-D01	左驻车制动推板 LEFT PARKING BRAKE PUSHER	1		
8	3502117-D01	推板弹簧 PUSHER SPRING	1		
9	3502160-D01	后制动后置蹄片 REAR BRAKE REAR-MOUNTED SHOE	1		
10	3502213-D01	后制动轮缸防尘罩 WHEEL CYLINDER DUST COVER	2		
11	3502211-D01	后制动轮缸皮碗 RUBBER BOWL ,WHEEL CYLINDER	2		
12	3502112-D01	后置蹄销轴 PIN SHAFT,REAR MOUNTED SHOE	1		
13	3502116-D01	拉线导向座 CABLE GUIDE HOLDER	1		
14	3502101-D01	左驻车制动拉臂 PARKING BRAKE DRAW ARM,LH	1		
15	3502130-D01	左后底板和支撑销总成 BOTTOM PLATE & ANCHOR PIN ASSEMBLY,REAR,LH	1		
16	3502115-D01	回位弹簧二 RETURN SPRING NO.2	1		
17	3502125-D01	自调辅助拉簧 AUTOMATIC ADJUSTING ASSISTANT TENSION SPRING	1		



左后制动器总成（一） LEFT REAR BRAKE ASSEMBLY(1)

序号 S/N	零部件代号 PART CODE	零部件名称 PART NAME	用量 QTY	适用车型 VEHICLE APPLICABLE TO	备注 REMARK
18	3502190-D01	自调隙拉锁总成 SELF-ADJUSTING CLEARANCE ZIPPER ASSEMBLY	1	D01 D02 D03 D04 D06 D16 D17 D18 D19 D21 D22 D23 D24 D48 D49 D62 D63 D64	
	3502191-D01	自调隙拉锁 SELF ADJUSTING CLEARANCE ZIPPER			
19	3502105-D01	左拨板拉线扭簧 LEFT TURN BOARD CABLE TORSION SPRING	1		
20	3502119-D01	自调蹄隙拨板 SELF-ADJUSTING SHOE CLEARANCE TURN BOARD	1		
21	3502170-D01	左调隙总成 CLEARANCE ADJUSTOR ASSEMBLY LH	1		



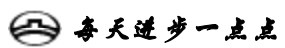
右后制动器总成（一） RIGHT REAR BRAKE ASSEMBLY(1)

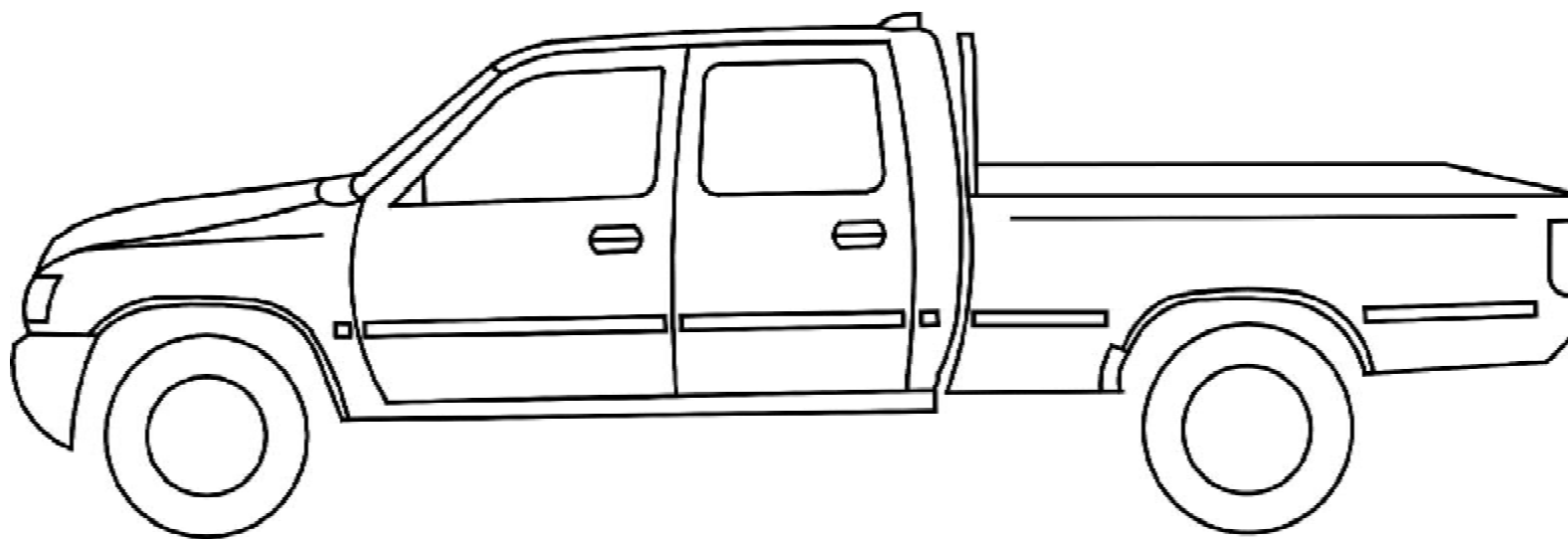
序号 S/N	零部件代号 PART CODE	零部件名称 PART NAME	用量 QTY	适用车型 VEHICLE APPLICABLE TO	备注 REMARK
	3502200-D01	后右制动器总成 REAR BRAKE ASSEMBLY,RH	1	D01 D02 D03 D04 D06 D16 D17 D18 D19 D21 D22 D23 D24 D48 D49 D62 D63 D64	
A	3502210-D01	后制动轮缸总成 REAR BRAKE WHEEL CYLINDER ASSEMBLY	1		
1	3502011-D01	后制动毂 REAR BRAKE DRUM	1		
2	3502128-D01	右自动辅助拉簧支架 AUTOMATIC ASSISTANT TENSION SPRING BRACKET,RH	1		
3	2403112-D01	车轮螺栓 WHEEL BOLT	5		
4	3502121-D01	压簧座 COMPRESSION SPRING SEAT	2		
5	3502123-D01	压簧 REAR BRAKE SHOE COMPRESSION SPRING	2		
6	3502107-D01	回位弹簧 RETURN SPRING	2		
7	3502104-D01	右驻车制动推板 RIGHT PARKING BRAKE PUSHER	1		
8	3502117-D01	推板弹簧 PUSHER SPRING	1		
9	3502160-D01	后制动后置蹄片 REAR BRAKE REAR-MOUNTED SHOE	1		
10	3502213-D01	后制动轮缸防尘罩 WHEEL CYLINDER DUST COVER	2		
11	3502211-D01	后制动轮缸皮碗 RUBBER BOWL ,WHEEL CYLINDER	2		
12	3502112-D01	后置蹄销轴 PIN SHAFT,REAR MOUNTED SHOE	1		
13	3502116-D01	拉线导向座 CABLE GUIDE HOLDER	1		
14	3502102-D01	右驻车制动拉臂 PARKING BRAKE DRAW ARM,RH	1		
15	3502140-D01	右后底板和支撑销总成 BOTTOM PLATE & ANCHOR PIN ASSEMBLY,REAR,RH	1		
16	3502115-D01	回位弹簧二 RETURN SPRING NO.2	1		
17	3502125-D01	自调辅助拉簧 AUTOMATIC ADJUSTING ASSISTANT TENSION SPRING	1		



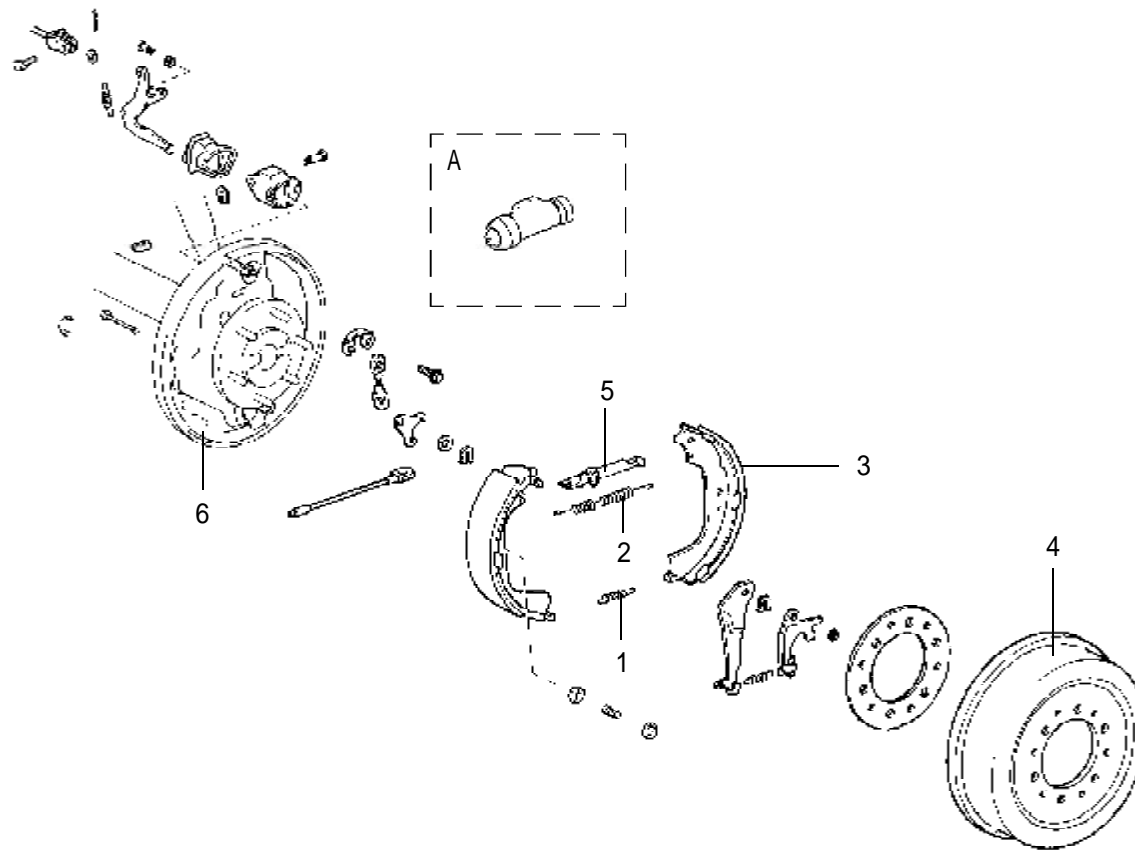
右后制动器总成（一） RIGHT REAR BRAKE ASSEMBLY(1)

序号 S/N	零部件代号 PART CODE	零部件名称 PART NAME	用量 QTY	适用车型 VEHICLE APPLICABLE TO	备注 REMARK
18	3502190-D01	自调隙拉锁总成 SELF-ADJUSTING CLEARANCE ZIPPER ASSEMBLY	1	D01 D02 D03 D04 D06 D16 D17 D18 D19 D21 D22 D23 D24 D48 D49 D62 D63 D64	
	3502191-D01	自调隙拉锁 SELF ADJUSTING CLEARANCE ZIPPER	1		
19	3502106-D01	右拨板拉线扭簧 RIGHT TURN BOARD CABLE TORSION SPRING	1		
20	3502119-D01	自调蹄隙拔板 SELF-ADJUSTING SHOE CLEARANCE TURN BOARD	1		
21	3502180-D01	左调隙总成 CLEARANCE ADJUSTOR ASSEMBLY RH			





左后制动器总成（二） LEFT REAR BRAKE ASSEMBLY(2)



每天进步一点点

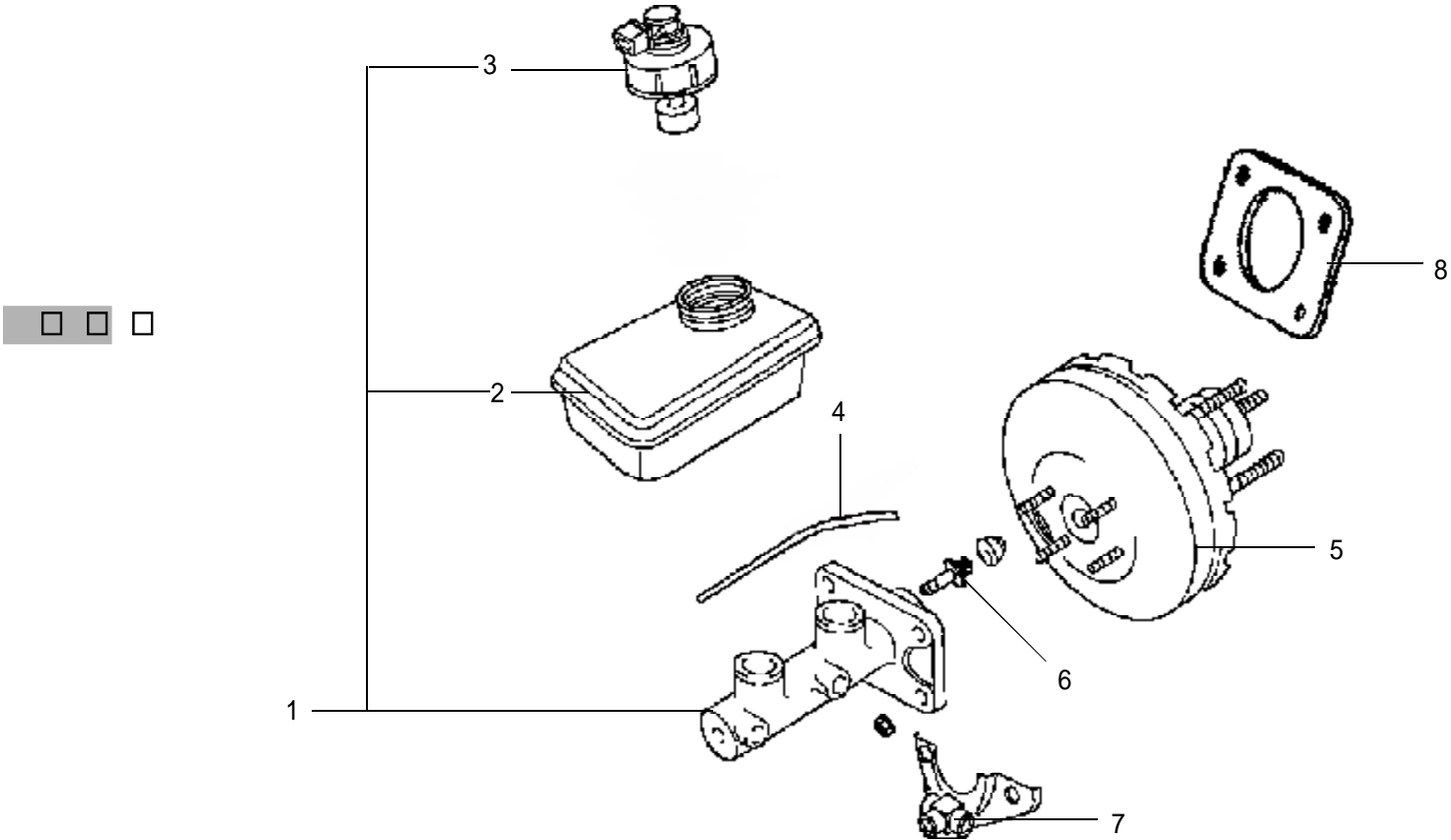
左后制动器总成（二） LEFT REAR BRAKE ASSEMBLY(2)

序号 S/N	零部件代码 PART CODE	零部件名称 PART NAME	用量 QTY	适用车型 VEHICLE APPLICABLE TO	备注 REMARK	
A	3502190-F00	制动轮缸总成 WHEEL CYLINDER ASSEMBLY	2	D07 D08 D09 D28 D30 D31 D33 D34 D36		
1	3502111-F00	下拉力簧 LOWER PULL SPRING	2			
2	3502101-F00	左上端回位簧 UPPER RETURN SPRING,LH	1			
	3502102-F00	右上端回位簧 UPPER RETURN SPRING,RH	1			
3	3502155-F00	制动蹄总成 BRAKE SHOE ASSEMBLY	2			
4	3502011-F00	后制动毂 REAR BRAKE DRUM	2			
5	3502170-F00	左自调节螺杆总成 LEFT SELF-ADJUSTING SCREW ASSEMBLY	1			
	3502180-F00	右自调节螺杆总成 RIGHT SELF-ADJUSTING SCREW ASSEMBLY	1			
6	3502130-F00	左后制动地板 REAR BRAKE BOTTOM PLATE ASSEMBLY,LH	1			
	3502140-F00	右后制动地板 REAR BRAKE BOTTOM PLATE ASSEMBLY,RH	1			



真空助力器带制动总泵总成

VACUUM BOOSTER & BRAKE MASTER CYLINDER ASSEMBLY



每天进步一点点

真空助力器带制动总泵总成 VACUUM BOOSTER & BRAKE MASTER CYLINDER ASSEMBLY

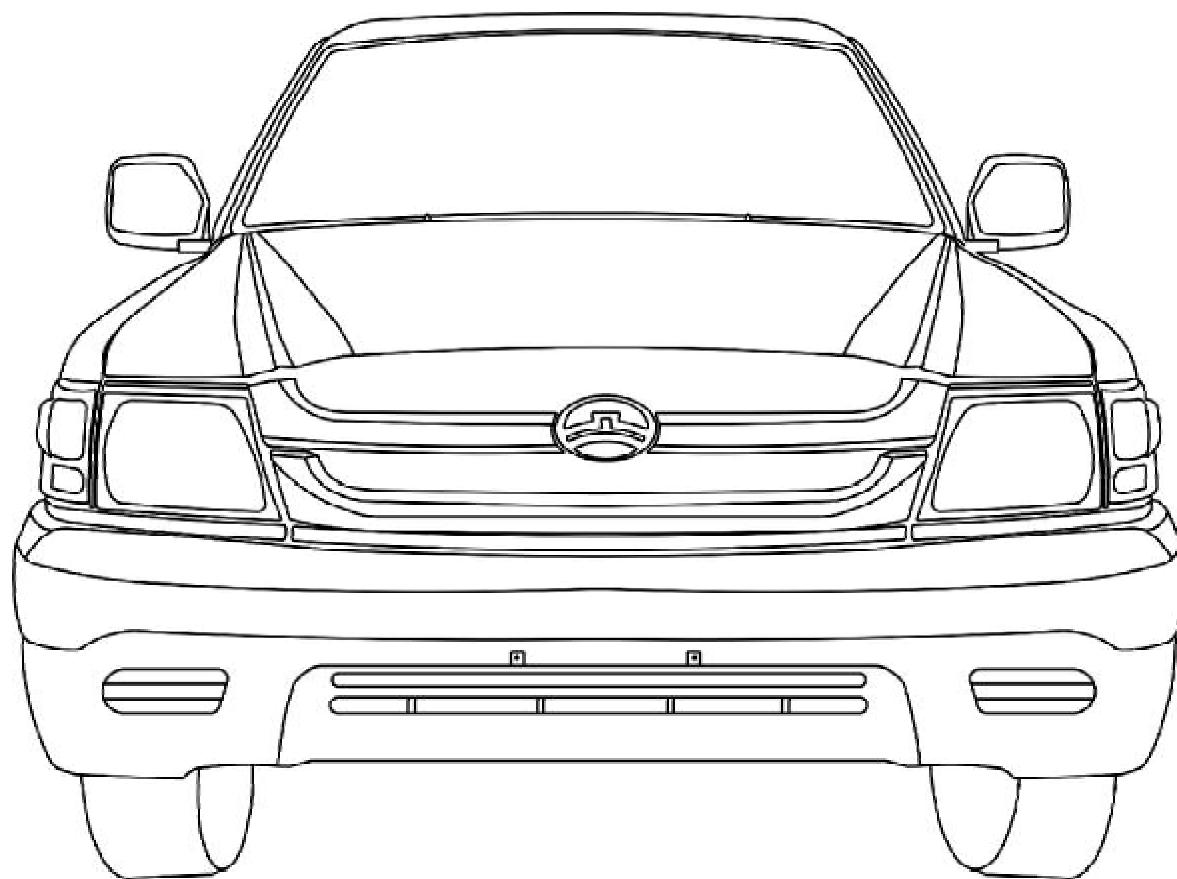
序号 S/N	零部件代号 PART CODE	零部件名称 PART NAME	用量 QTY	适用车型 VEHICLE APPLICABLE TO	备注 REMARK
	3505100-D01	真空助力器带制动总泵总成 VACUUM BOOSTER & BRAKE MASTER CYLINDER ASSEMBLY	1	D01 D02 D03 D04 D06 D19 D21 D22 D23 D24 D50 D65 D66	
	3505100-D43	真空助力器带制动总泵总成 VACUUM BOOSTER & BRAKE MASTER CYLINDER ASSEMBLY (CARBURETOR)		D43 D46 D47 D48 D49	化油器
	3505100-F00	真空助力器带制动总泵总成 VACUUM BOOSTER & BRAKE MASTER CYLINDER ASSEMBLY (JILIN,MODEL 2004)		D01 D02 D03	2004 款, 吉林
1	3505120-D01	制动泵总成 BRAKE CYLINDER ASSEMBLY	1	D01 D02 D03 D04 D06 D19 D21 D22 D23 D24 D66	
	3505120-F00	制动泵总成 BRAKE CYLINDER ASSEMBLY (JILIN,MODEL 2004 ,OIL CUP ASSEMBLY INCLUDED)		D01 D02 D03	2004 款, 吉林含油杯总成
2	3505103-D01	制动泵油杯 OIL CUP,BRAKE PUMP		D01 D02 D03 D04 D06 D19 D21 D22 D23 D24 D48 D49 D66	
	3505103-D22	制动泵油杯 OIL CUP,BRAKE PUMP (WITHOUT CAP AND SCREEN)			不含盖、滤网
3	3505104-D01	制动泵油杯盖 OIL CUP CAP,BRAKE CYLINDER	1	D01 D02 D03 D04 D06 D19 D21 D66	2004 款, 吉林
	3505104-F00	制动泵油杯盖 OIL CUP CAP,BRAKE CYLINDER ASSEMBLY (JILIN ,MODEL 2004)			
4	3505012-D01	真空助力泵真空胶管 VACUUM HOSE,VACUUM BOOSTER (ELECTRONIC INJECTION)		D01 D02 D03 D04 D06 D19 D21 D22 D23 D24 D48 D49 D66	电喷
	3505012-D50	真空助力胶管 VACUUM HOSE,VACUUM BOOSTER		D50 D65	
5	3505110-D01	真空助力器总成 VACUUM BOOSTER ASSEMBLY	1	D01 D02 D03 D04 D06 D19 D21 D22 D23 D24 D66	
	3505110-F00	真空助力器总成 VACUUM BOOSTER ASSEMBLY (JILIN ,MODEL 2004)	1	D01 D02 D03 D22 D23 D24 D66	2004 款, 吉林
6	3505105-D01	真空助力泵真空通气嘴 BREATHER,VACUUM BOOSTER (ELECTRONIC INJECTION, STRAIGHT BREATHER)	1	D01 D02 D03 D04 D06 D19 D21 D22 D23 D24 D66	电喷, 通气嘴为直的
	3505105-D43	真空助力泵真空通气嘴 BREATHER,VACUUM BOOSTER (CARBURETOR, BEND BREATHER)	1	D16 D17 D18 D43 D46 D47 D48 D49 D62 D63 D64	化油器(通气嘴弯的)



真空助力器带制动总泵总成 VACUUM BOOSTER & BRAKE MASTER CYLINDER ASSEMBLY

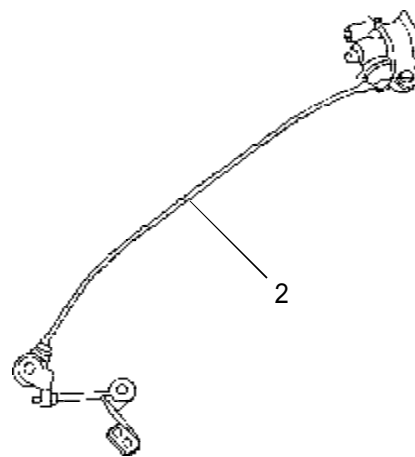
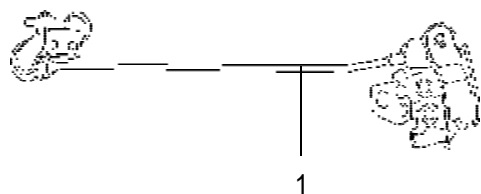
序号 S/N	零部件代号 PART CODE	零部件名称 PART NAME	用量 QTY	适用车型 VEHICLE APPLICABLE TO	备注 REMARK
7	3505102-D01	前三通 FRONT 3-WAY VAVLE	1	D04 D06 D19 D21 D22 D23 D24 D48 D49	
8	3505011-D01	真空助力泵胶垫 VACUUM BOOSTER RUBBER GASKET	1	D01 D02 D03 D04 D06 D16 D17 D18 D19 D21 D22 D23 D24 D48 D49 D62 D63 D64 D50 D65 D66	





 每天进步一点点

感载比例阀总成LOAD-SENSING PROPORTIONING VALVE ASSEMBLY



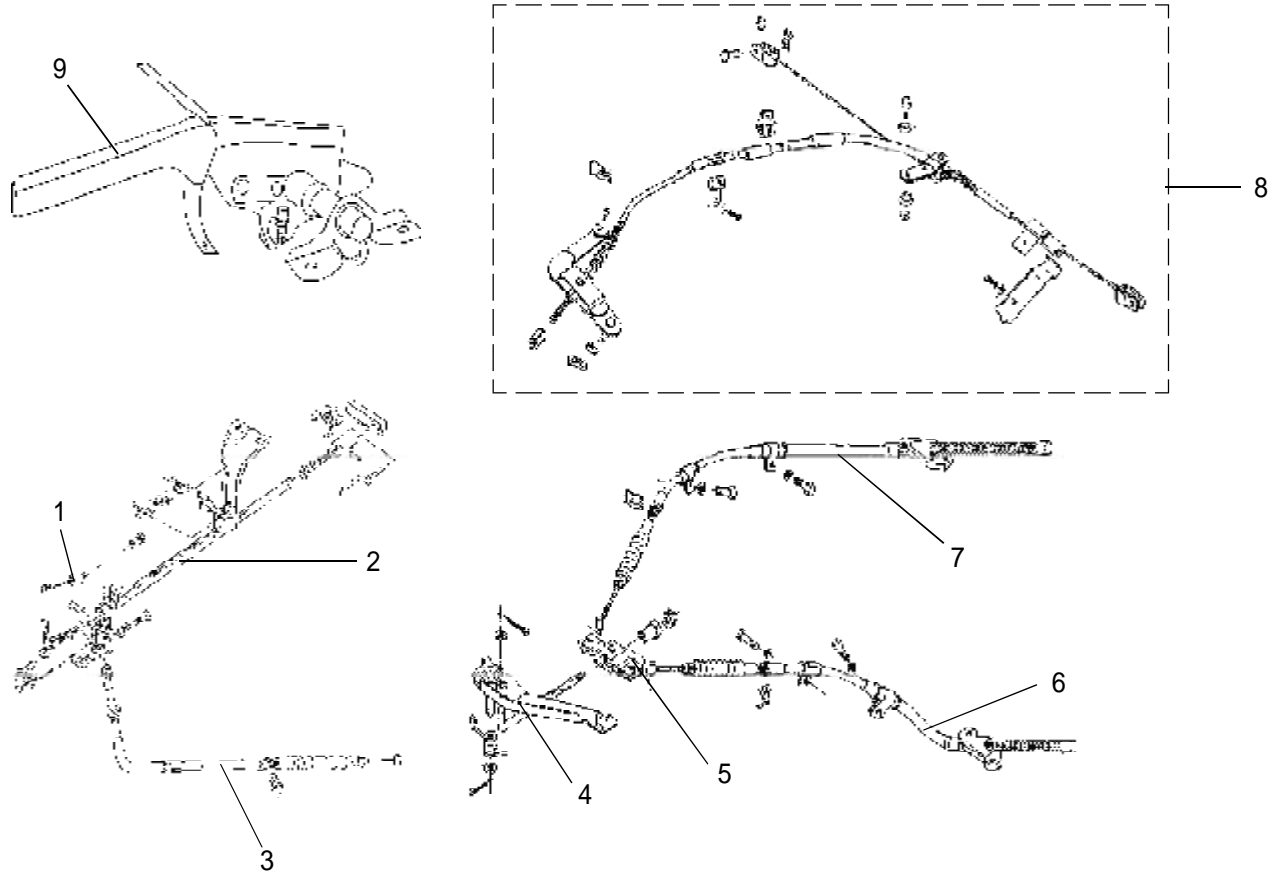
感载比例阀总成 LOAD-SENSING PROPORTIONING VALVE ASSEMBLY

序号 S/N	零部件代号 PART CODE	零部件名称 PART NAME	用量 QTY	适用车型 VEHICLE APPLICABLE TO	备注 REMARK
1	3523100-D01	感载比例阀总成 LOAD-SENSING PROPORTIONING VALVE ASSEMBLY	1	D01 D03 D16 D18 D22 D43 D44 D50 D62 D64 D65 D66	
	3523100-D17	感载比例阀总成 LOAD-SENSING PROPORTIONING VALVE ASSEMBLY		D02 D17 D63	
	3523100-B00	感载比例阀总成 LOAD-SENSING PROPORTIONING VALVE ASSEMBLY		D04 D06 D19 D21	
2	3523100-D07	感载比例阀总成 LOAD-SENSING PROPORTIONING VALVE ASSEMBLY (4WD)	1	D07 D08	四驱



 每天进步一点点

驻车制动操纵总成 PARKING BRAKE CONTROLLER ASSEMBLY



驻车制动操纵总成 PARKING BRAKE CONTROLLER ASSEMBLY

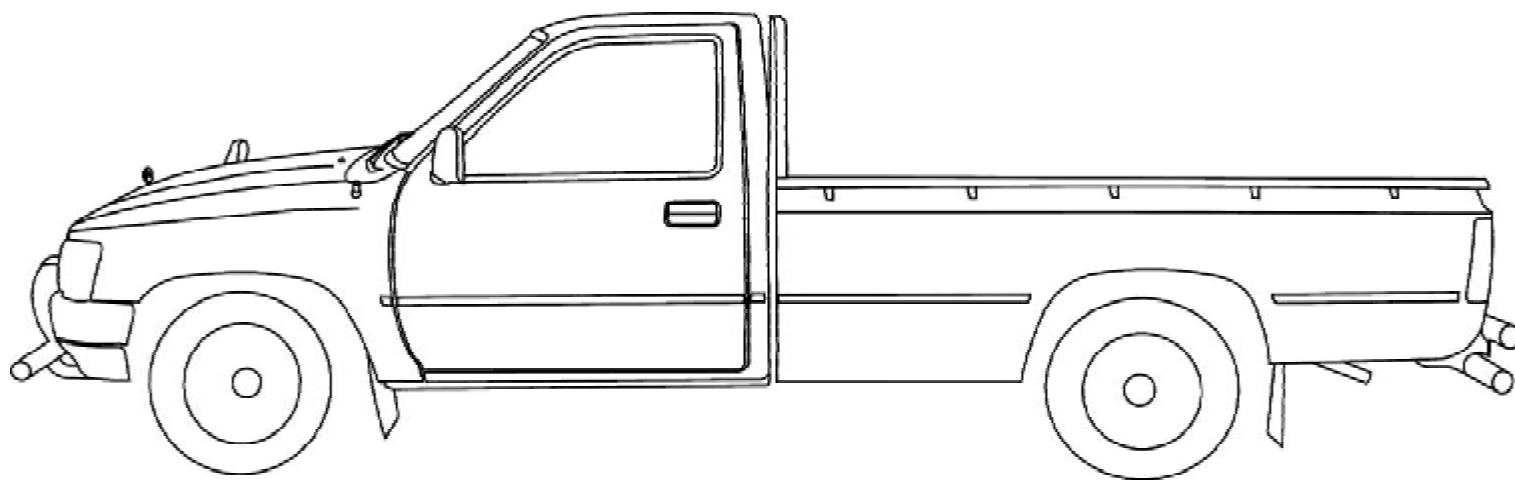
序号	零部件代号	零部件名称	用量	适用车型	备注
S/N	PART CODE	PART NAME	QTY	VEHICLE APPLICABLE TO	REMARK
1	4134024-D01	驻车制动灯开关 PARKING BRAKE LAMP SWITCH	1	D01 D02 D03 D04 D06 D19 D21 D22 D23 D24 D48 D49	
2	3508110-D01	驻车制动拉把总成 PARKING BRAKE HANDLE ASSEMBLY (FRONT MOUNTED)	1	D01 D02 D03 D04 D06 D19 D21D50 D65	前置式
	3508110-D22-1208	驻车制动拉把总成 PARKING BRAKE HANDLE ASSEMBLY (MODEL 2002, LIGHT GRAY)		D22 D23 D24	2002 款 浅灰
	3508110-D22-0803	驻车制动拉把总成 PARKING BRAKE HANDLE ASSEMBLY (BLACK)		D43 D44 D46 D48 D49 D47 D45	黑色
3	3508120-D01	驻车制动前端拉线总成 FRONT CABLE ASSEMBLY,PARKING BRAKE (2WD)	1	D01 D02 D03 D04 D06 D19 D21 D22 D23 D24 D48 D49 D50 D65	两驱
	3508120-D07	驻车制动前端拉线总成 FRONT CABLE ASSEMBLY,PARKING BRAKE (STANDARD CAB, 4WD)		D07 D28 D66	小双四驱
	3508120-D08	驻车制动前端拉线总成 FRONT CABLE ASSEMBLY,PARKING BRAKE (LARGE DOUBLE CAB,4WD)		D08 D30	大双四驱
4	3508130-D01	驻车制动杠杆总成 PARKING BRAKE LEVER ASSEMBLY	1	D01 D02 D03 D04 D06 D19 D21 D22 D23 D24 D43 D44 D45 D46 D47 D48 D49 D50 D65	
5	3508101-D01	驻车制动拉把弹簧卡片 GUIDE BRACKET,PARKING BRAKE CABLE	1		
6	3502300-D01	左驻车制动操纵拉线总成 PARKING BRAKE CABLE ASSEMBLY,LH	1	D01 D04 D06 D19 D21 D22 D43 D44	
	3502300-D01-B1	左驻车制动操纵拉线总成 PARKING BRAKE CABLE ASSEMBLY,LH (MODEL 04 , STANDARD CAB ,MIDDLE MOUNTED HAND BRAKE)			04 款小双中置手刹
	3502300-D02	左驻车制动操纵拉线总成 PARKING BRAKE CABLE ASSEMBLY,LH (LARGE DOUBLE CAB, FRONT HAND BRAKE)		D02 D23 D46	大双前手刹
	3502300-D02-B1	左驻车制动操纵拉线总成 PARKING BRAKE CABLE ASSEMBLY,LH (MODEL 04 , LARGE DOUBLE CAB ,MIDDLE MOUNTED HAND BRAKE)		D02	04 款大双中置手刹
	3502300-D07-B1	左驻车制动操纵拉线总成 PARKING BRAKE CABLE ASSEMBLY,LH (HAND BRAKE MIDDLE MOUNTED)		D07	中置手刹
	3502300-D08-B1	左驻车制动操纵拉线总成 PARKING BRAKE CABLE ASSEMBLY,LH		D08	



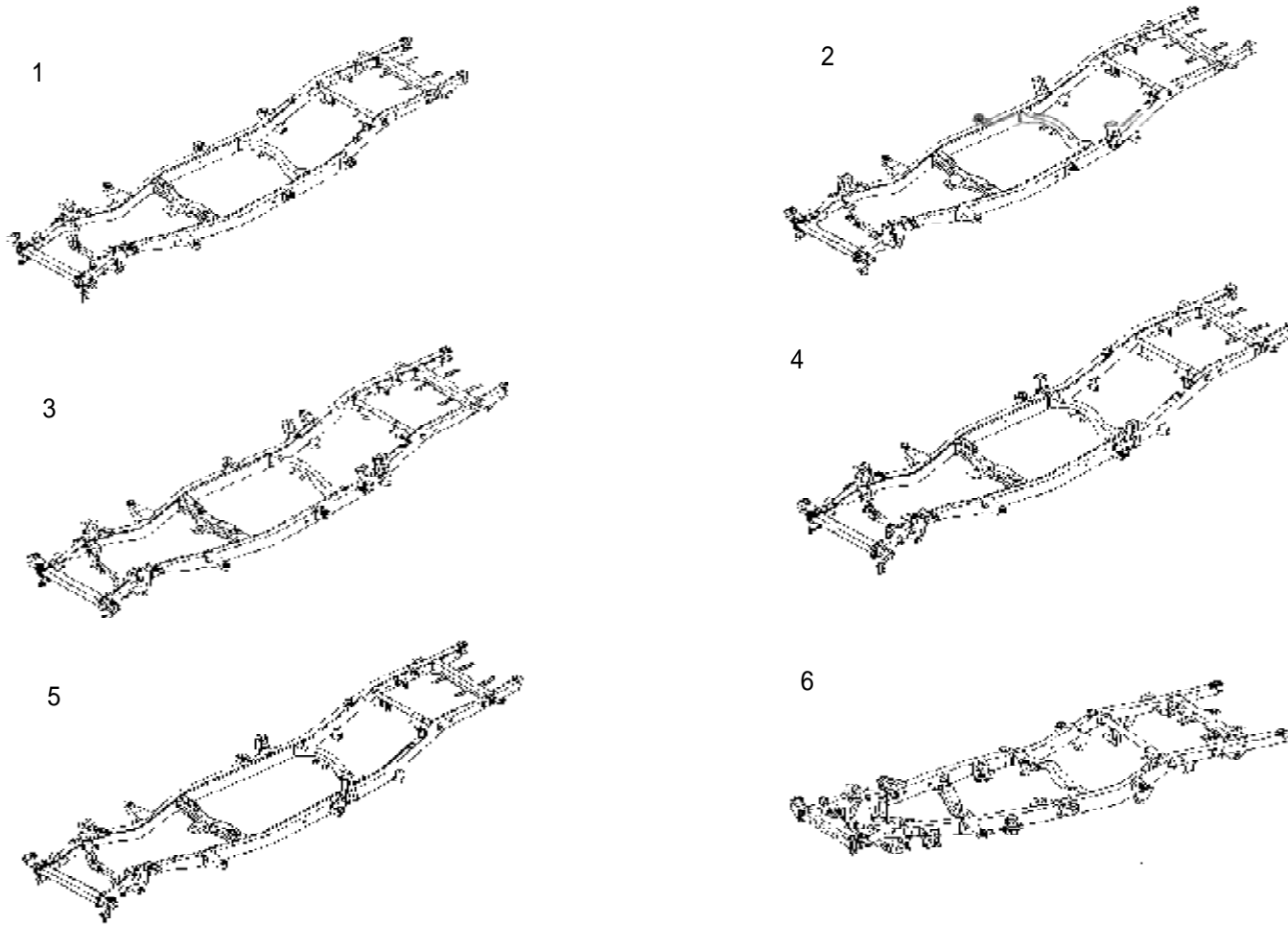
驻车制动操纵总成 PARKING BRAKE CONTROLLER ASSEMBLY

序号 S/N	零部件代号 PART CODE	零部件名称 PART NAME	用量 QTY	适用车型 VEHICLE APPLICABLE TO	备注 REMARK
6	3502300-D04	左驻车制动操纵拉线总成 PARKING BRAKE CABLE ASSEMBLY,LH	1	D47	
	3502300-D03	左驻车制动操纵拉线总成 PARKING BRAKE CABLE ASSEMBLY,LH		D03	
	3502300-D05	左驻车制动操纵拉线总成 PARKING BRAKE CABLE ASSEMBLY,LH (SMALL SINGLE CAB)		D49	小单
	3502300-D06	左驻车制动操纵拉线总成 PARKING BRAKE CABLE ASSEMBLY,LH (LARGE SINGLE CAB)		D48	大单
7	3502400-D01	右驻车制动操纵拉线总成 PARKING BRAKE CABLE ASSEMBLY,RH	1	D01 D04 D06 D19 D21 D22 D43 D44	
	3502400-D01-B1	右驻车制动操纵拉线总成 PARKING BRAKE CABLE ASSEMBLY,RH (MODEL 04,STANDARD CAB ,MIDDLE MOUNTED HAND BRAKE)		D01 D22 D43 D44	04 小双中置手刹
	3502400-D02	右驻车制动操纵拉线总成 PARKING BRAKE CABLE ASSEMBLY,RH (LARGE DOUBLE CAB ,FRONT HAND BRAKE)		D02 D23 D46	大双前手刹
	3502400-D02-B1	右驻车制动操纵拉线总成 PARKING BRAKE CABLE ASSEMBLY,RH (MODEL 04 , LARGE DOUBLE CAB,MIDDLE MOUNTED HAND BRAKE)		D02	04 款大双中置手刹
	3502400-D07-B1	右驻车制动操纵拉线总成 PARKING BRAKE CABLE ASSEMBLY,RH (MIDDLE MOUNTED HAND BRAKE)		D07	中置手刹
	3502400-D08-B1	右驻车制动操纵拉线总成 PARKING BRAKE CABLE ASSEMBLY,RH (RIGHT)		D08	
	3502400-D04	右驻车制动操纵拉线总成 PARKING BRAKE CABLE ASSEMBLY,RH		D47	
	3502400-D03	右驻车制动操纵拉线总成 PARKING BRAKE CABLE ASSEMBLY,RH		D03	
	3502400-D05	右驻车制动操纵拉线总成 PARKING BRAKE CABLE ASSEMBLY,RH (SMALL SINGLE CAB)		D49	小单
	3502400-D06	右驻车制动操纵拉线总成 PARKING BRAKE CABLE ASSEMBLY,RH (LARGE SINGLE CAB)		D48	大单
8	3502300-D07	驻车制动操纵拉线总成 PARKING PARKING BRAKE CABLE ASSEMBLY(STANDARD CAB, 4WD ,FRONT HAND BRAKE)	1	D07 D28 D31 D34	小双四驱 前手刹
9	3508110-D07	驻车制动拉把总成 PARKING BRAKE HANDLE ASSEMBLY (FLOOR TYPE)	1	D07 D08 D09 D66	地板式





车架总成（一） FRAME ASSEMBLY (1)



车架总成（一）FRAME ASSEMBLY (1)

序号 S/N	零部件代号 PART CODE	零部件名称 PART NAME	用量 QTY	适用车型 VEHICLE APPLICABLE TO	备注 REMARK
1	2800100-D01	车架总成 FRAME ASSEMBLY	1	D01 D22 D43 D44 D50	
	2800100-D16	车架总成 FRAME ASSEMBLY (STANDARD CAB,DIESEL ENGINE)		D16	小双柴油
	2800100-D66	车架总成 FRAME ASSEMBLY		D66	
2	2800100-D75	车架总成 FRAME ASSEMBLY (MIDDLE DOUBLE CAB)	1	D03 D24 D45 D75	普通中双
	2800100-D04	车架总成 FRAME ASSEMBLY (GASOLINE ENGINE, ONE AND A HALF CAB)		D04	汽油排半
	2800100-D19	车架总成 FRAME ASSEMBLY		D19	
	2800100-D21	车架总成 FRAME ASSEMBLY		D21	
3	2800100-D02	车架总成 FRAME ASSEMBLY	1	D02 D65	
	2800100-D17	车架总成 FRAME ASSEMBLY		D17	
4	2800100-D05	车架总成 FRAME ASSEMBLY (GASOLINE ENGINE,SMALL SINGLE CAB)	1	D05	汽油小单
5	2800100-D06	车架总成 FRAME ASSEMBLY	1	D06	
6	2800100-D07-B1	车架总成 FRAME ASSEMBLY (PROVIDED WITH KOREAN 4WD TRANSMISSION)	1	D07	配韩国四驱变速器
	2800100-D07	车架总成 FRAME ASSEMBLY (PROVIDED WITH ELECTRONICALLY CONTROLLED 4WD TRANSMISSION)			配电控四驱变速器



车架总成 (二) FRAME ASSEMBLY (2)

1



2



3



4



5



6



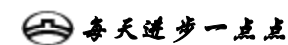
7



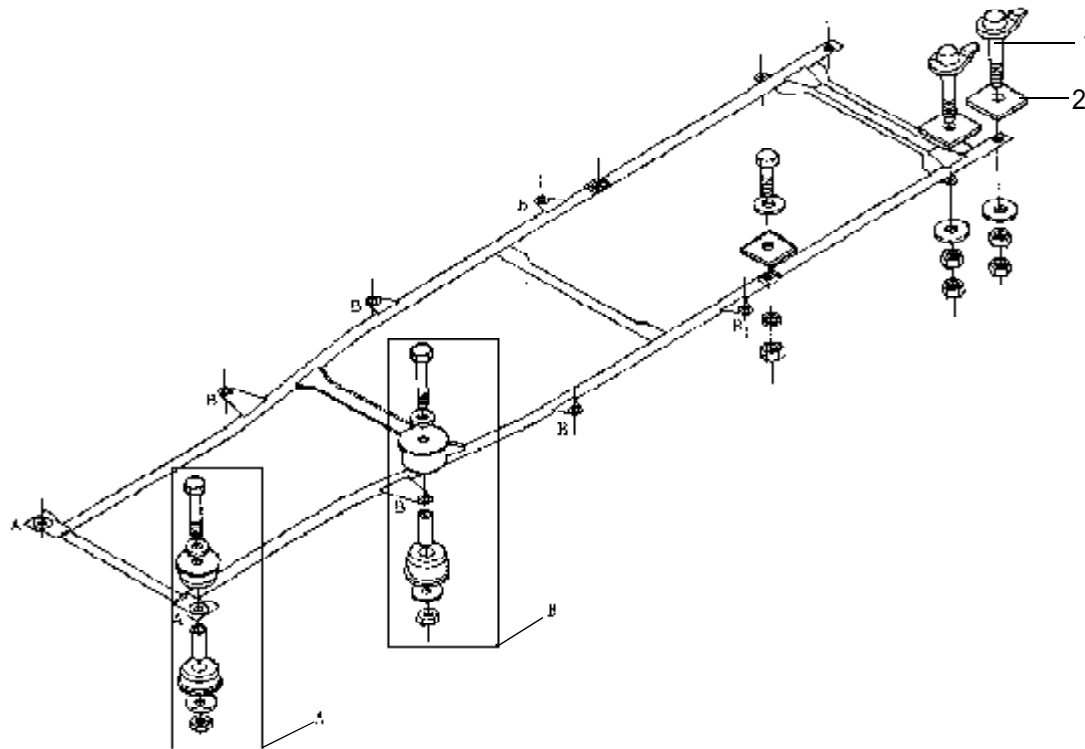
 每天进步一点点

车架总成（二） FRAME ASSEMBLY (2)

序号 S/N	零部件代号 PART CODE	零部件名称 PART NAME	用量 QTY	适用车型 VEHICLE APPLICABLE TO	备注 REMARK
1	2800100-D62-B1	车架总成 FRAME ASSEMBLY	1	D62	
2	2800100-D63-B1	车架总成 FRAME ASSEMBLY	1	D63	
3	2800100-D64-B1	车架总成 FRAME ASSEMBLY	1	D64	
4	2800100-D08	车架总成 FRAME ASSEMBLY (4WD, KOREA TRANSMISSION)	1	D08	四驱、韩国变速器用
	2800100-D08-B1	车架总成 FRAME ASSEMBLY (ELECTRICALLY CONTROLLED)			电控
5	2800110-D01	第二横梁 FRAME CROSS MEMBER,NO.2 (2WD,GASOLINE ENGINE)	1	两驱汽油车专用	
6	2802011-D01	发动机导流板 ENGINE MUDGUARD	1	D01 D02 D03 D04 D06 D16 D17 D18 D19 D21 D50 D62 D63 D64 D65	
7	2802011-F00	发动机导流板 ENGINE MUDGUARD	1	D07 D08	

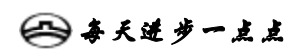


整车悬置总成BODY MOUNT ASSEMBLY

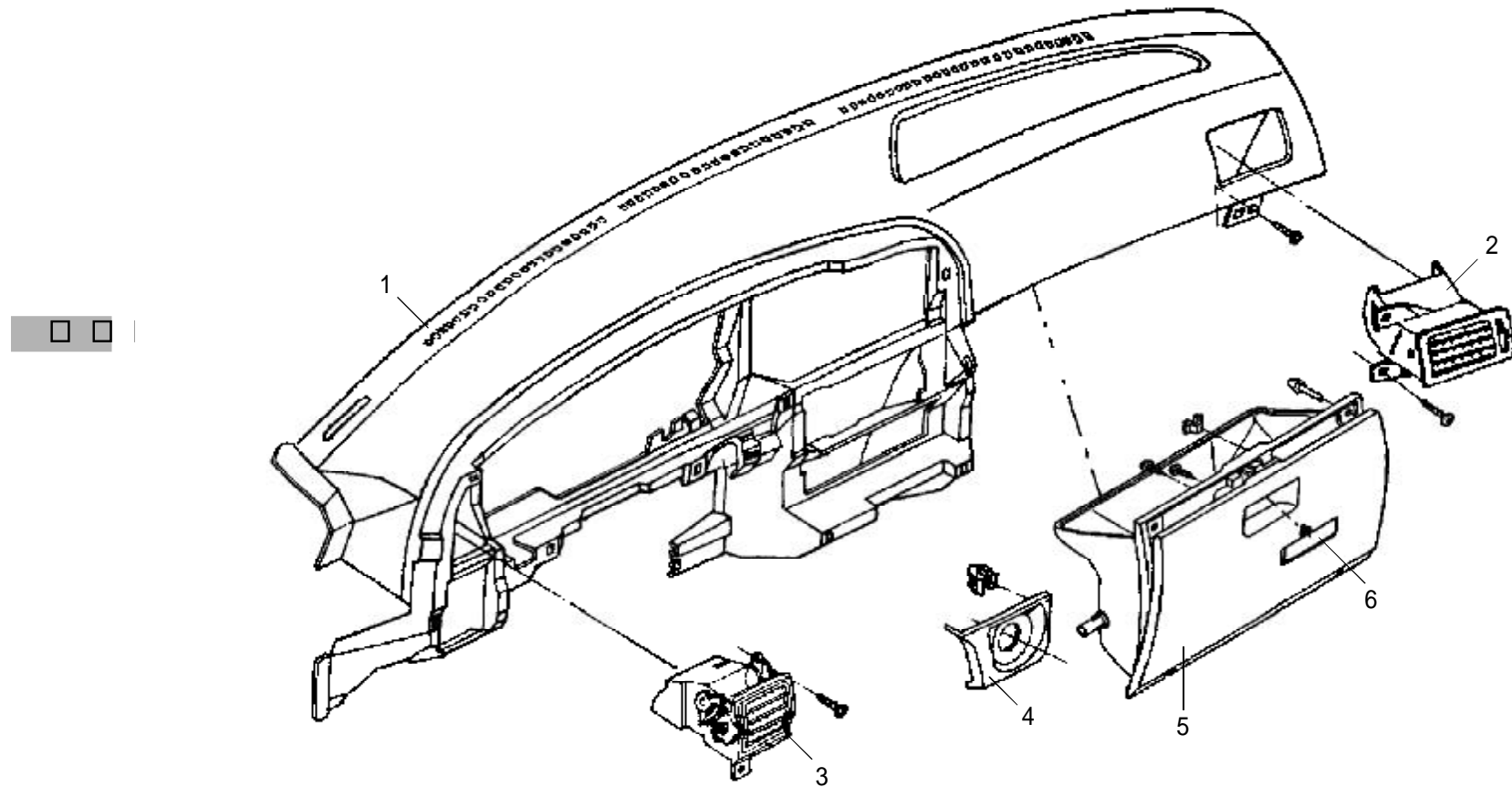


整车悬置总成 BODY MOUNT ASSEMBLY

序号 S/N	零部件代号 PART CODE	零部件名称 PART NAME	用量 QTY	适用车型 VEHICLE APPLICABLE TO	备注 REMARK
A	5001020-D01	车身第二悬置总成 BODY MOUNT ASSEMBLY,NO.2	2	D01 D02 D03 D04 D06 D07 D08 D16 D17 D18 D19 D21 D22 D23 D24 D43 D44 D46 D47 D48 D49 D50 D62 D63 D64 D65 D66	
B	5001010-D01	车身第一悬置总成 BODY MOUNT ASSEMBLY,NO.1	8		
1	8501017-D01	车厢专用螺栓 SPECIAL BOLT	4		
2	8501019-D01	车厢悬置垫块 CUSHION BLOCK	6		



仪表板总成（一） INSTRUMENT PANEL ASSEMBLY (1)



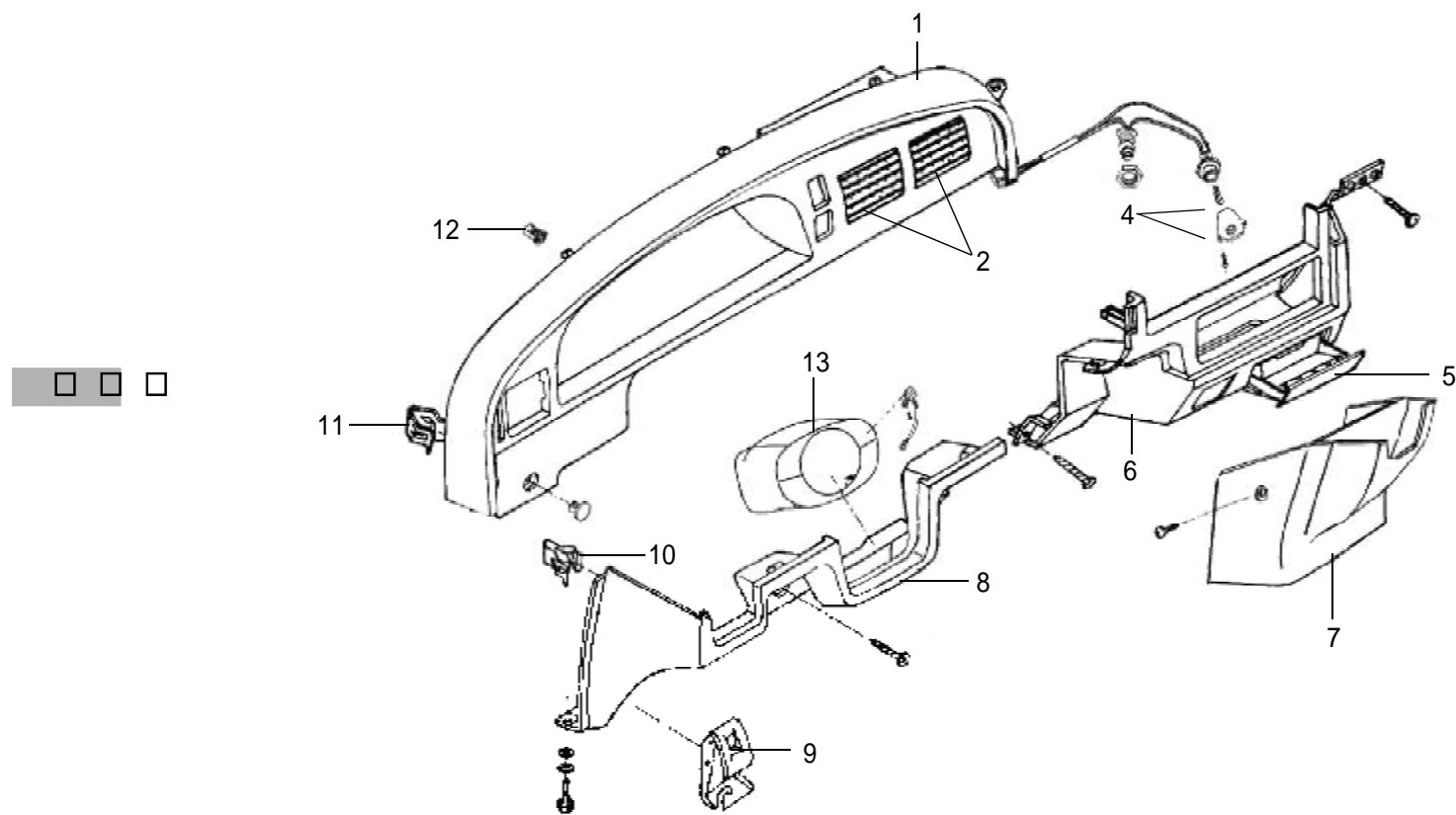
每天进步一点点

仪表板总成(一) INSTRUMENT PANEL ASSEMBLY (1)

序号 S/N	零部件代号 PART CODE	零部件名称 PART NAME	用量 QTY	适用车型 VEHICLE APPLICABLE TO	备注 REMARK
	5306100-D01-0314	仪表板总成 INSTRUMENT PANEL ASSEMBLY (LIGHT COFFEE)	1	D01 D02 D03 D04 D05 D06 D07 D08 D16 D17 D18 D19 D21 D50 D65 D66	浅咖啡色
	5306100-D62-0314	仪表板总成 INSTRUMENT PANEL ASSEMBLY (LIGHT COFFEE)		D62 D63 D64	浅咖啡色
	5306100-D01-0110	仪表板总成 INSTRUMENT PANEL ASSEMBLY (EXPORT,RED)		出口车专用	红色
1	5306111-D01-0314	仪表板本体 INSTRUMENT PANEL BODY (LIGHT COFFEE)	1	D01 D02 D03 D04 D06 D19 D21 D50 D65	浅咖啡色
	5306111-D75-0314	仪表板本体 INSTRUMENT PANEL BODY (LIGHT COFFEE,WITH ASSISTANT HORN HOLE)		D70 D71 D72 D73 D74 D75	浅咖啡色有副喇叭孔
	5306111-D01-0110	仪表板本体 INSTRUMENT PANEL BODY (EXPORT,RED)		出口车专用	红色
2	5306114-D43	仪表板右通风口总成 RIGHT AIR VENT ASSEMBLY,INSTRUMENT PANEL	1	D02 D03 D22 D23 D24 D43 D44 D45 D46 D47 D48 D49 D65	
3	5306113-D43	仪表板左通风口总成 LEFT AIR VENT ASSEMBLY,INSTRUMENT PANEL			
4	5306104-D01-0803	点火开关面罩 FACESHIELD,IGNITION SWITCH (BLACK)	1	D04 D06 D19 D21 D22 D23 D24	黑色
	5306104-D22-1208	点火开关面罩 FACESHIELD,IGNITION SWITCH (LIGHT GREY)		D22 D23 D24 D48 D49	浅灰色
	5306104-D43	点火开关面罩 FACESHIELD,IGNITION SWITCH (WITH CLEAR APERTURE)		D43 D44 D45 D46 D47 D48 D49	带光圈
5	5306160-D01-0110	杂物箱总成 GLOVE BOX ASSEMBLY (EXPORT,RED)	1	出口车专用	红色
	5306160-D01-0314	杂物箱总成 GLOVE BOX ASSEMBLY (LIGHT COFFEE)		D01 D02 D03 D04 D06 D19 D21 D50 D65	浅咖啡色
6	5306161-D01-0110	杂物箱手扣 HANDLE,GLOVE BOX (EXPORT,RED)	1	出口车专用	红色
	5306161-D01-0314	杂物箱手扣 HANDLE,GLOVE BOX (LIGHT COFFEE)		D01 D02 D03 D04 D06 D19 D21 D50 D65	浅咖啡色
	5306161-D01	杂物箱手扣 HANDLE,GLOVE BOX (MAHOGANY PATTERN PURPLISH RED)		D43 D44 D45 D46	亚光桃木纹枣红色



仪表板面罩 INSTRUMENT PANEL TRIM PANEL



仪表板面罩 INSTRUMENT PANEL TRIM PANEL

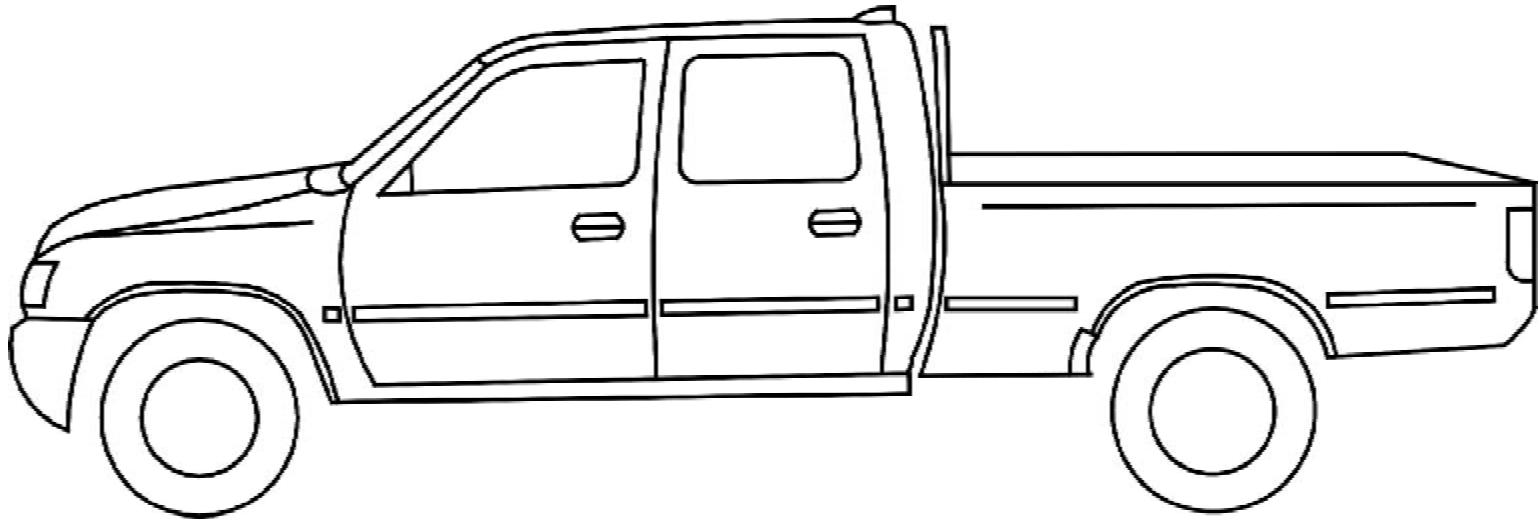
序号 S/N	零部件代号 PART CODE	零部件名称 PART NAME	用量 QTY	适用车型 VEHICLE APPLICABLE TO	备注 REMARK
1	5306121-D62-0314	仪表板装饰面罩 TRIM PANEL,INSTRUMENT PANEL (LIGHT COFFEE)	1	D01 D02 D03 D50 D62 D63 D64 D65	浅咖啡色
	5306121-D01-0110	仪表板装饰面罩 TRIM PANEL,INSTRUMENT PANEL (EXPORT, RED)		出口车专用	红色
	5306121-D01-0314	仪表板装饰面罩 TRIM PANEL,INSTRUMENT PANEL (MAHOGANY PATTERN LIGHT PURPLISH RED)		D01 D02 D03 D04 D06 D19 D21 D50 D65	亚光桃木纹浅枣红色
2	5306122-D01-0803	仪表板中通风口总成 CENTER AIR VENT, INSTRUMENT PANEL	2	D02 D03 D04 D06 D19 D21 D22 D23 D24 D43 D44 D45 D46 D47 D48 D49 D65	
4	5306135-D01	仪表板烟灰缸灯 ASH TRAY LAMP ASSEMBLY	1		
5	5306132-D01	仪表板烟灰缸 ASH TRAY (MAHOGANY PATTERN LIGHT PURPLISH RED)	1	D01 D02 D03 D04 D06 D19 D21 D50 D65	亚光桃木纹浅枣红色
	5306132-D62-0803	仪表板烟灰缸 ASH TRAY (BLACK)		D62 D63 D64	黑色
	5306132-D43-1207	仪表板烟灰缸 ASH TRAY (DARK GREY)		D01 D02 D03 D22 D23 D24 D43 D44 D45 D46 D47 D48 D49 D50 D65	深灰色
6	5306131-D01-0110	仪表板中下部面罩 MIDDLE AND LOWER CASE (EXPORT, RED)	1	出口车专用	红色
	5306131-D01-0314	仪表板中下部面罩 MIDDLE AND LOWER CASE (LIGHT COFFEE)		D01 D02 D03 D04 D06 D19 D21 D50 D65	浅咖啡色
7	5306101-D01-0110	仪表板中央下围 CENTER LOW WALL (EXPORT ,RED)	1	出品车专用	红色
	5306101-D01-0314	仪表板中央下围 CENTER LOW WALL (LIGHT COFFEE)		D01 D02 D03 D04 D06 D19 D21 D50 D65	浅咖啡色
8	5306141-D62-0314	仪表板左下面罩 LOWER TRIM PANEL,INSTRUMENT PANEL,LH (ECONOMY, LIGHT COFFEE)	1	D62 D63 D64	经济型浅咖啡色
	5306141-D01-0314	仪表板左下面罩 LOWER TRIM PANEL,INSTRUMENT PANEL,LH (LIGHT COFFEE)		D01 D02 D03 D04 D06 D19 D21 D50 D65	浅咖啡色
9	5306142-D01-0110	发动机罩锁扣手 HANDLE,ENGINE LOCK (EXPORT, RED)		出品车专用	红色



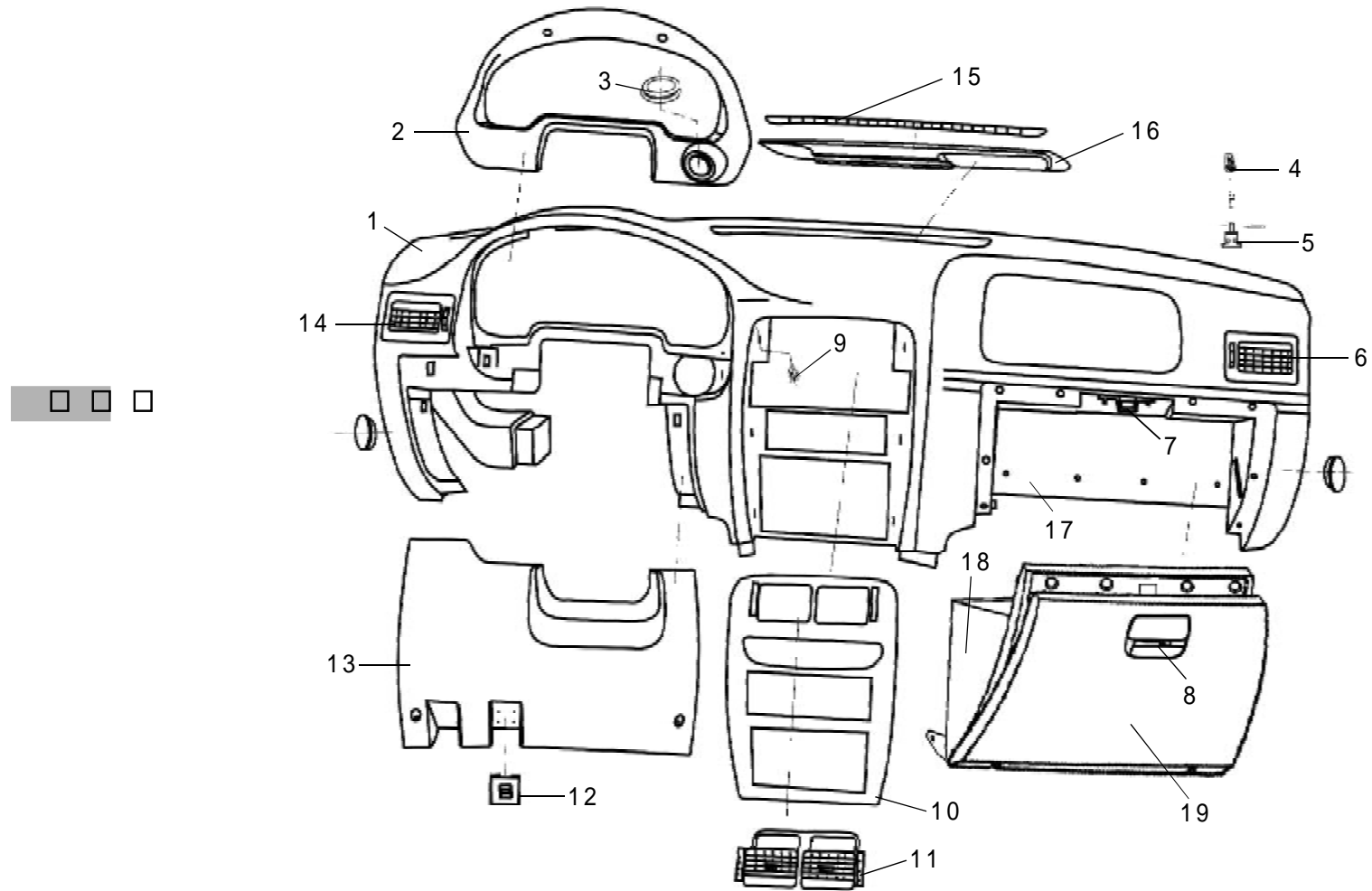
仪表板面罩 INSTRUMENT PANEL TRIM PANEL

序号 NO.	零部件代号 PART CODE	零部件名称 PART NAME	用量 QTY	适用车型 VEHICLE APPLICABLE TO	备注 REMARK
10	5306103-D01	二号铁卡子 NO. 2 IRON CLAMP	10	D01 D02 D03 D04 D06 D19 D21 D22 D23 D24 D43 D44 D46 D47 D48 D49 D50 D65	
11	5306102-D01	一号铁卡子 NO. 1 IRON CLAMP	1		
12	5306112-D01	仪表板前缘固定卡扣 FRONT CLIP, INSTRUMENT PANEL	5		
13	5306200-D01-0314	组合开关面罩总成 COMBINATION SWITCH COVER ASSEMBL (LIGHT COFFEE)	1	D01 D02 D03 D04 D06 D19 D21 D50 D65	浅咖啡色
	5306200-D43-0803	组合开关面罩总成 COMBINATION SWITCH COVER ASSEMBL (BLACK, ADJUSTABLE)		D43 D44 D45 D46 D47 D48 D49	黑色可调式
	5306200-D43-B1-0803	组合开关面罩总成 COMBINATION SWITCH COVER ASSEMBL (BLACK)			黑色
<input type="checkbox"/>					





仪表板总成 (二) INSTRUMENT PANEL ASSEMBLY (2)



每天进步一点点

仪表板总成(二) INSTRUMENT PANEL ASSEMBLY (2)

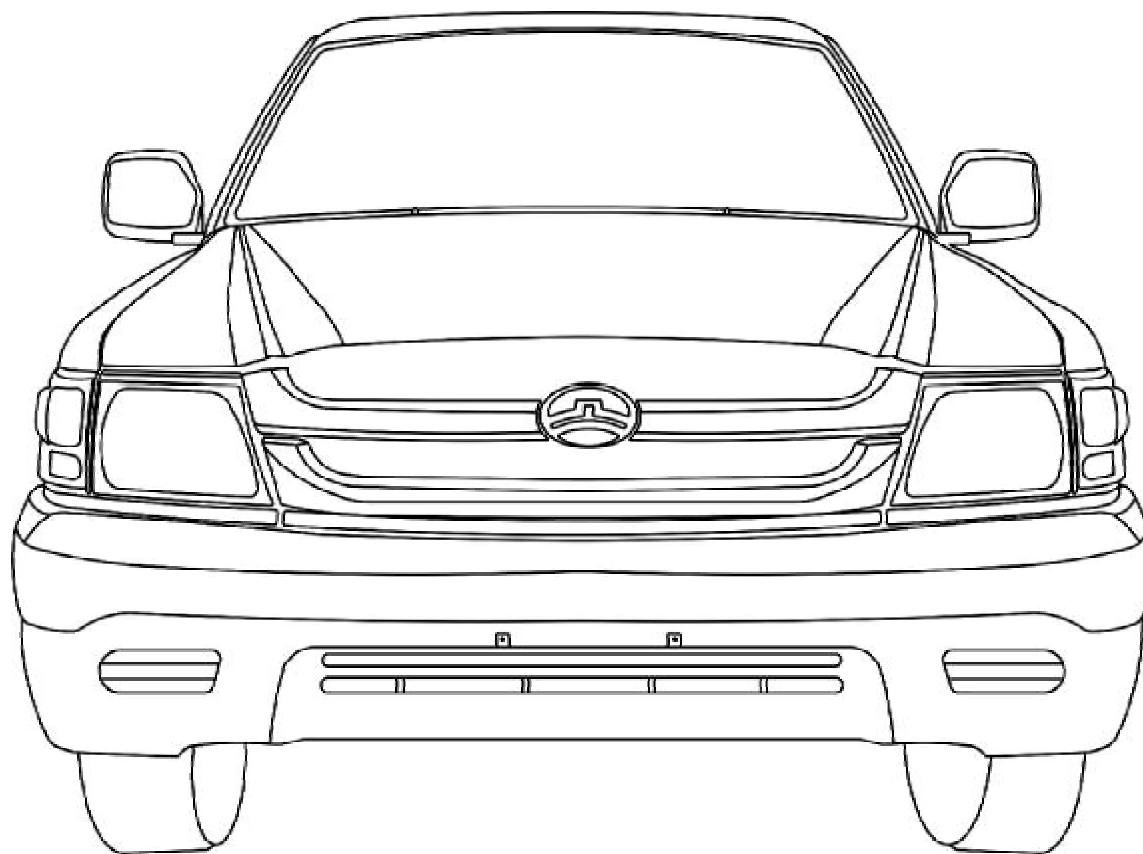
序号	零部件代号	零部件名称	用量	适用车型	备注
S/N	PART CODE	PART NAME	QTY	VEHICLE APPLICABLE TO	REMARK
	5306100-D07-0314	仪表板总成 INSTRUMENT PANEL ASSEMBLY (LIGHT COFFEE)	1	D01 D02 D03 D07 D08 D50 D65	浅咖啡色
1	5306111-D07-0314	仪表板本体 INSTRUMENT PANEL BODY (LIGHT COFFEE)	1		浅咖啡色
2	5306121-D07-0803	仪表板装饰面罩 TRIM PANEL,INSTRUMENT PANEL (BLACK)	1		黑色
3	5306105-D07-0803	点火开关胶套 IGNITION SWITCH RUBBER (BLACK)	1		黑色
4	5306112-D07	仪表板前缘固定卡扣 FRONT CLIP,INSTRUMENT PANEL	5		
5	5306117-D07	前围安装卡座、插销 MOUNTING CLAMP SEAT AND BOLT,FRONT WALL	5		
6	5306114-D07	仪表板右通风口总成 RIGHT AIR VENT ASSEMBLY,INSTRUMENT PANEL (LIGHT COFFEE)	1		浅咖啡色
7	5303165-D07-0314	杂物箱锁环 LOCK RING,GLOVE BOX (LIGHT COFFEE)	1		浅咖啡色
8	5306161-D07-0314	杂物箱手扣 HANDLE,GLOVE BOX (LIGHT COFFEE)	1		浅咖啡色
9	5306102-D01	一号铁卡子 NO.1 IRON CLIP	6		
10	5306131-D07-0803	仪表板中央面板 CENTER PANEL (BLACK)	1		黑色
11	5306141-D07-0803	仪表板中通风口 CENTER AIR VENT, INSTRUMENT PANEL (BLACK)	1		黑色
12	5306152-D07-0314	发动机罩锁扣手 HANDLE,ENGINE LOCK (LIGHT COFFEE)	1		浅咖啡色
13	5306151-D07-0314	仪表板左下面罩 LOWER TRIM PANEL,INSTRUMENT PANEL,LH (LIGHT COFFEE)	1		浅咖啡色
14	5306113-D07	仪表板左通风口总成 LEFT AIR VENT ASSEMBLY,INSTRUMENT PANEL (LIGHT COFFEE)	1		浅咖啡色
15	5306115-F00-0803	除霜通风栅 DEFROSTER GRILL(BLACK)	1		黑色
16	5306116-F00-0803	除霜风道 DEFROST TUNNEL (BLACK)	1	黑色	



仪表板总成(二) INSTRUMENT PANEL ASSEMBLY (2)

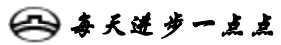
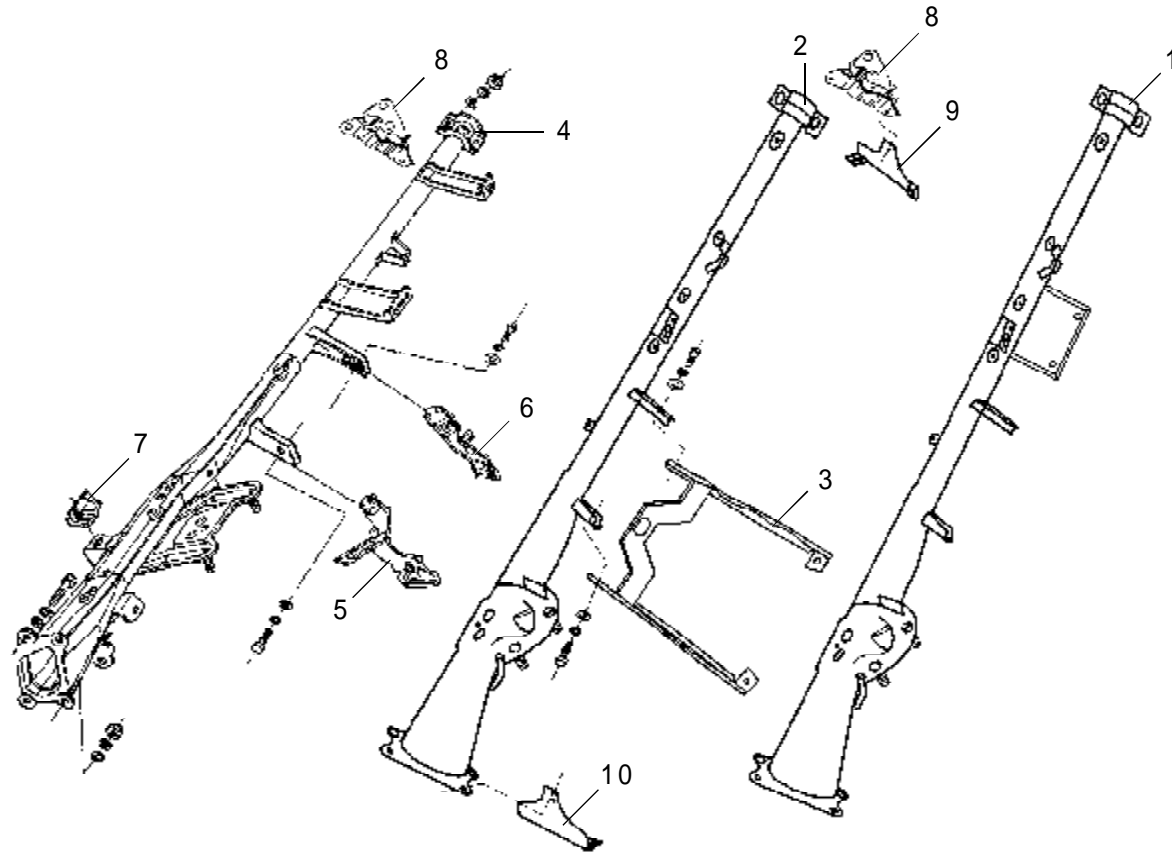
序号	零部件代号	零部件名称	用量	适用车型	备注
S/N	PART CODE	PART NAME	QTY	VEHICLE APPLICABLE TO	REMARK
17	5303162-F00-0803	杂物箱底座 SEAT,GLOVE BOX (BLACK)	1	D01 D02 D03 D07 D08 D50 D65	黑色
18	5303163-F00-0803	杂物箱底斗 GLOVE BOX BODY (BLACK)	1		黑色
19	5303164-F00-0803	杂物箱面板 GLOVE-BOX LID(BLACK)	1		黑色





 每天进步一点点

仪表板加强梁组件 INSTRUMENT PANEL REINFORCEMENT MEMBER KIT

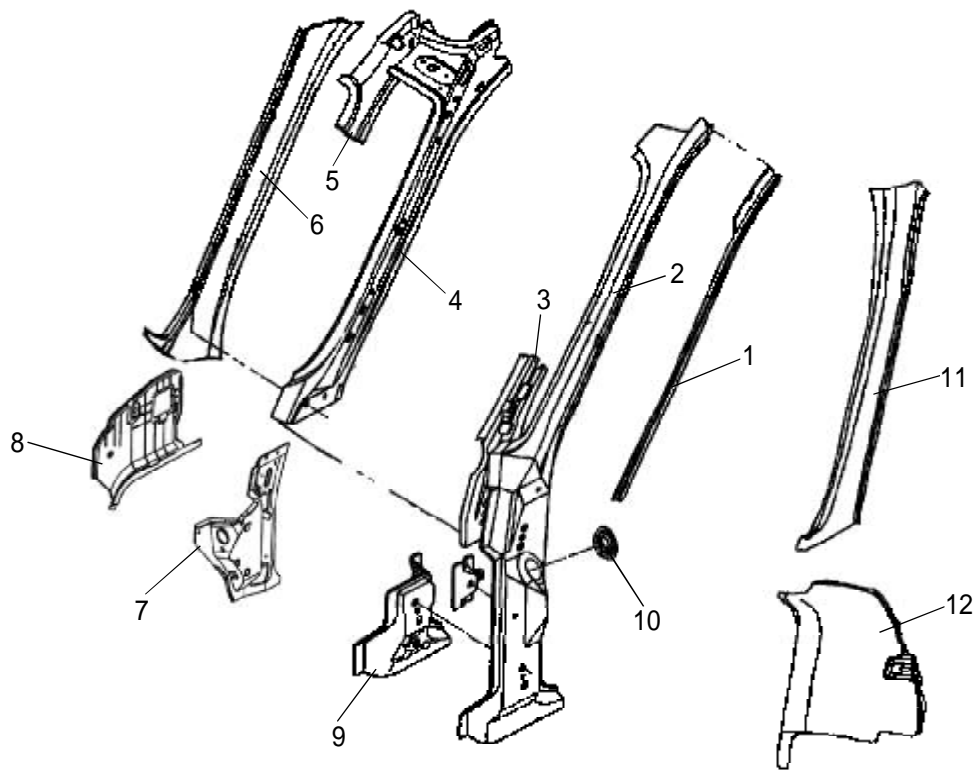


仪表板加强梁组件 INSTRUMENT PANEL REINFORCEMENT MEMBER KIT

序号 S/N	零部件代号 PART CODE	零部件名称 PART NAME	用量 QTY	适用车型 VEHICLE APPLICABLE TO	备注 REMARK	
1	5306301-D07-B1	仪表板加强梁 REINFORCEMENT MEMBER,INSTRUMENT PANEL (ELECTRICALLY-CONTROLLED 4WD)	1	D07 D08	电控四驱	
2	5306301-D07	仪表板加强梁 REINFORCEMENT MEMBER,INSTRUMENT PANEL	1	D01 D02 D03 D07 D08 D50 D65		
3	5306306-D07	CD 机支架 BRACKET,CD PLAYER	1			
4	5306301-D01	仪表板加强梁 REINFORCEMENT MEMBER,INSTRUMENT PANEL	1			
5	5306302-D01	仪表板加强梁左立支架 LEFT BRACKET ASSEMBLY,INSTRUMENT PANEL REINFORCEMENT MEMBER	1		D01 D02 D03 D04 D06 D19 D21 D22 D23 D24 D25 D27 D43 D44 D46 D47 D48 D49 D50 D65	
6	5306303-D01	仪表板加强梁右立支架 RIGHT BRACKETASSEMBLY,INSTRUMENT PANEL REINFORCEMENT MEMBER	1			
7	5306305-D01	前围支架 BRACKET,FRONT BODY SIDE	1			
8	5306304-D01	仪表板加强梁安装支架 MOUNTING BRACKET,REINFORCEMENT MEMBER,INSTRUMENT PANEL	1			
9	5306172-D07	仪表板右端头支架 RIGHT END BRACKET,INSTRUMENT PANEL	1	D01 D02 D03 D22 D23 D24 D25 D27 D43 D44 D46 D47 D48 D49 D50 D65		
10	5306171-D07	仪表板左端头支架 LEFT END BRACKET,INSTRUMENT PANEL	1			



左前立柱总成 LEFT A PILLAR ASSEMBLY



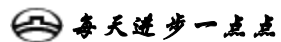
左前立柱总成 LEFT A PILLAR ASSEMBLY

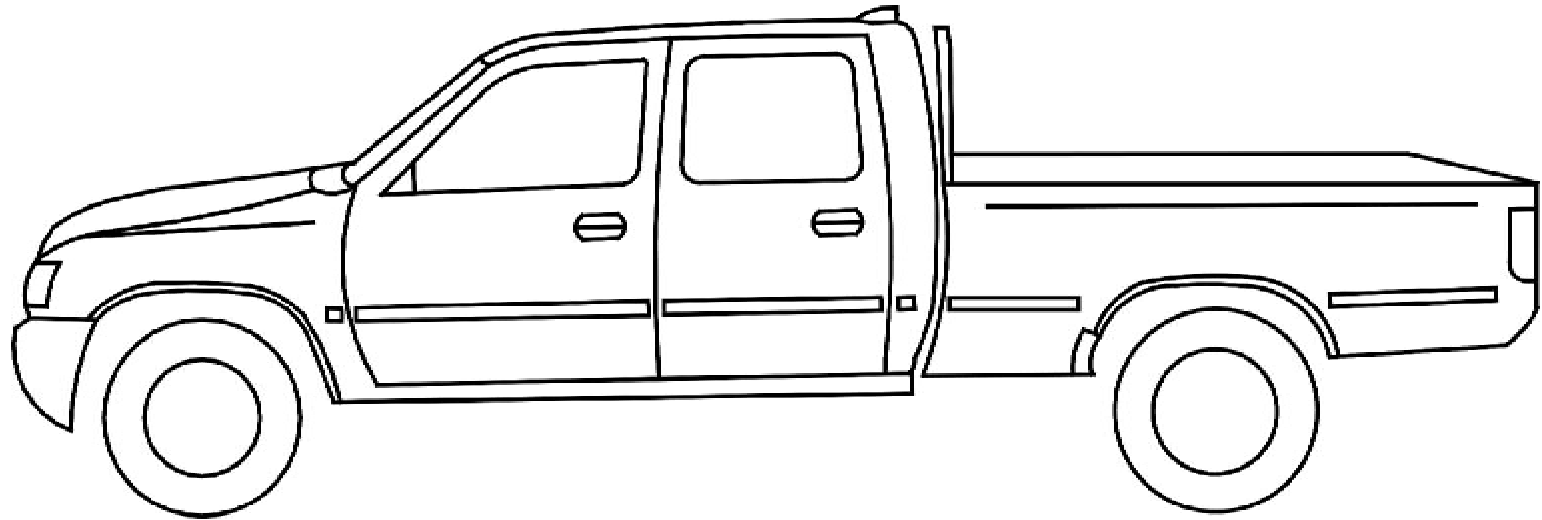
序号 S/N	零部件代号 PART CODE	零部件名称 PART NAME	用量 QTY	适用车型 VEHICLE APPLICABLE TO	备注 REMARK
	5401110-D01	左前立柱总成 A PILLAR ASSEMBLY,LH	1	D01 D02 D03 D04 D06 D07 D08 D19	
1	5401111-D01	左前流水槽 FRONT ROOF RAIL,LH	1	D21 D22 D23 D24 D25 D27 D43 D44	
2	5401450-D01	左前立柱外板 OUTER PANEL,LEFT A PILLAR	1	D45 D46 D47 D48 D49 D50 D65	
3	5401310-D01	左前立柱上加强板总成 UPPER REINFORCEMENT PANEL ASSEMBLY, A PILLAR, LH	1		
4	5401113-D01	左前立柱上内板 UPPER INNER PANEL, A PILLAR, LH	1		
5	5401115-D01	左前立柱顶部加强板 TOP REINFORCEMENT PANEL, A PILLAR, LH	1		
6	5402011-D01-0310	左前立柱上装饰板 UPPER TRIM PANEL, LEFT A PILLAR (CREAM COLORED)	1	D01 D02 D03 D04 D19 D50 D65	米黄色
	5402011-D01-0110	左前立柱上装饰板 UPPER TRIM PANEL, LEFT A PILLAR (RED)		D43 D44 D45 D46	红色
7	5401430-D01	左前立柱下内板 LOWER INNER PANEL, A PILLAR, LH	1	D01 D02 D03 D04 D06 D07 D08 D19 D21 D22 D23 D24 D25 D27 D43 D44 D45 D46 D47 D48 D49 D50 D65	
8	5402013-D01-0314	左前立柱下装饰板 LOWER TRIM PANEL,LEFT A PILLAR (LIGHT COFFEE)	1	D01 D02 D03 D04 D06 D19 D21 D50 D65	浅咖啡色
	5402013-D01-0110	左前立柱下装饰板 LOWER TRIM PANEL,LEFT A PILLAR (RED)		D06 D21 D43 D45 D46 D47 D48 D49	红色
9	5401410-D01	左前立柱下加强板总成 LOWER REINFORCEMENT PANEL ASSEMBLY, A PILLAR, LH	1	D01 D02 D03 D04 D06 D19 D21 D22 D23 D24 D43 D44 D46 D47 D48 D49	
10	5401013-D01	后立柱外板胶堵二 RUBBER PLUG NO.2, OUTER PANEL, C PILLAR	1	D50 D65	



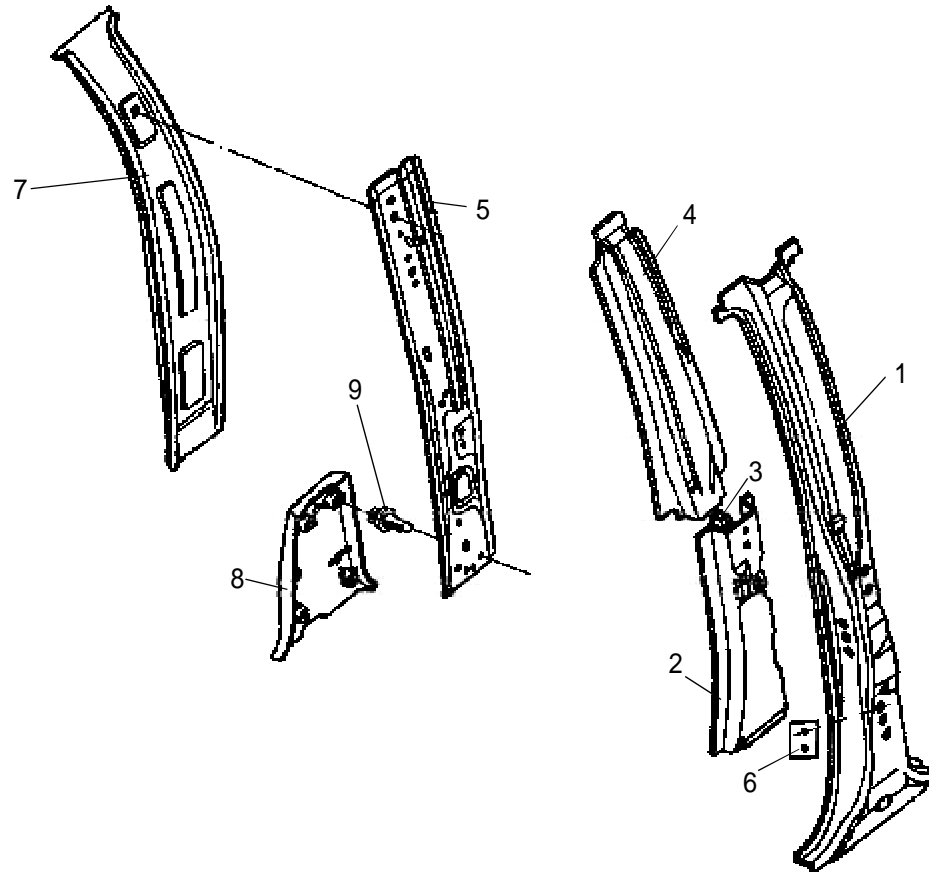
右前立柱总成 RIGHT A PILLAR ASSEMBLY

序号 S/N	零部件代号 PART CODE	零部件名称 PART NAME	用量 QTY	适用车型 VEHICLE APPLICABLE TO	备注 REMARK
	5401120-D01	右前立柱总成 A PILLAR ASSEMBLY,RH	1	D01 D02 D03 D04 D06 D07 D08	
1	5401112-D01	右前流水槽 FRONT ROOF RAIL,RH	1	D19 D21 D22 D23 D24 D25 D27	
2	5401460-D01	右前立柱外板 OUTER PANEL,RIGHT A PILLAR	1	D43 D44 D45 D46 D47 D48 D49	
3	5401320-D01	右前立柱上加强板总成 UPPER REINFORCEMENT PANEL ASSEMBLY, A PILLAR, RH	1	D50 D65	
4	5401114-D01	右前立柱上内板 UPPER INNER PANEL, A PILLAR, RH	1		
5	5401116-D01	右前立柱顶部加强板 TOP REINFORCEMENT PANEL, A PILLAR, RH	1		
7	5401440-D01	右前立柱下内板 LOWER INNER PANEL,A PILLAR,RH	1		
9	5401420-D01	右前立柱下加强板 LOWER REINFORCEMENT PANEL ASSEMBLY, A PILLAR, RH	1		
10	5301031-D22	前立柱胶堵 A PILLAR RUBBER PLUG	1		
11	5402012-D01-0310	右前立柱上装饰板 UPPER TRIM PANEL,RIGHT A PILLAR (CREAM COLORED)	1	D01 D02 D03 D04 D19 D50 D65	米黄色
	5402012-D01-0110	右前立柱上装饰板 UPPER TRIM PANEL,RIGHT A PILLAR (RED)		D43 D44 D45 D46	红色
12	5402014-D01-0314	右前立柱下装饰板 LOWER TRIM PANEL,RIGHT A PILLAR (LIGHT COFFEE)	1	D01 D02 D03 D04 D06 D19 D21	浅咖啡色
	5402014-D01-0110	右前立柱下装饰板 LOWER TRIM PANEL,RIGHT A PILLAR (RED)		D50 D65	
				D01 D02 D03 D06 D21	红色





中立柱总成 B PILLAR ASSEMBLY



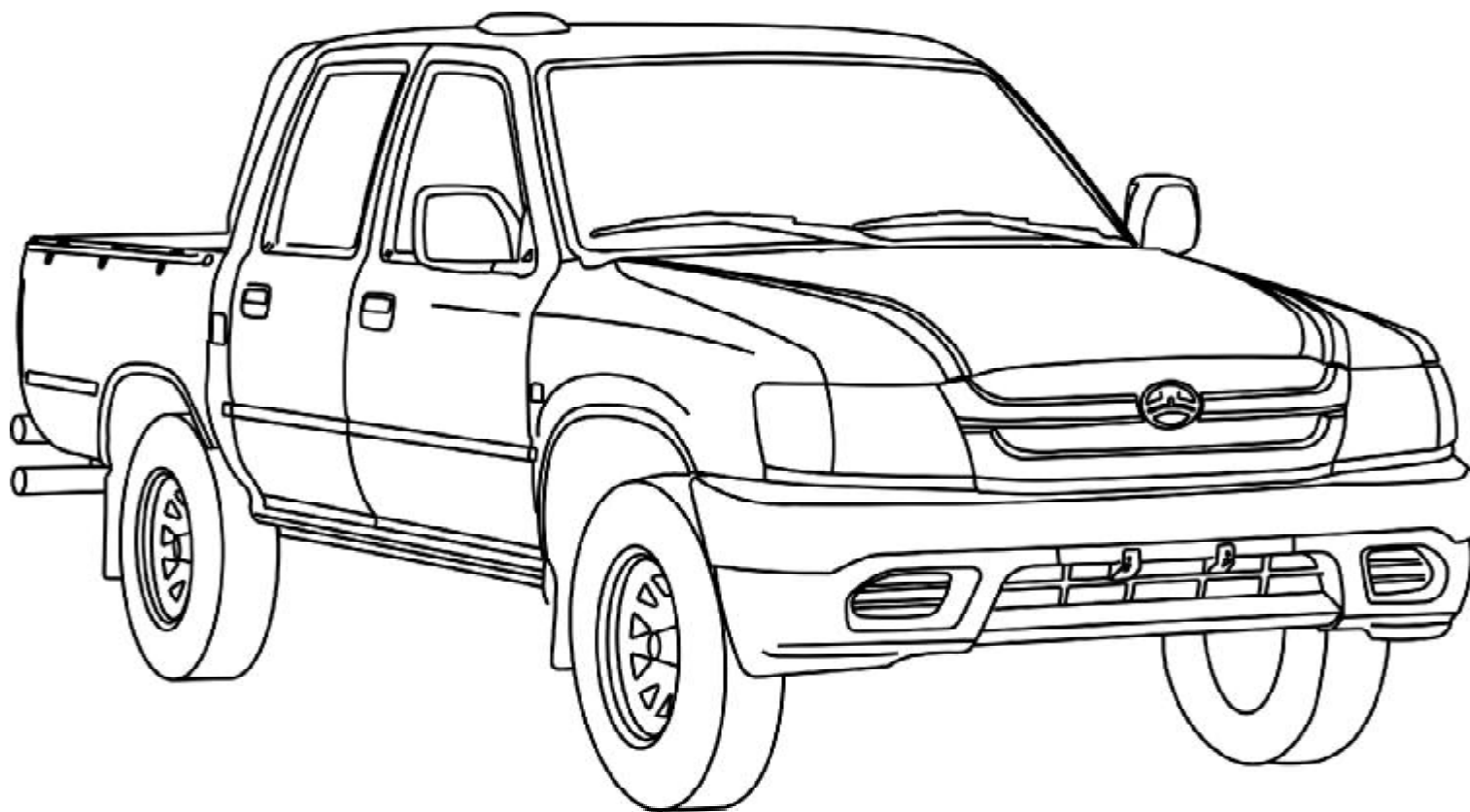
左中立柱总成 LEFT B PILLAR ASSEMBLY

序号 S/N	零部件代号 PART CODE	零部件名称 PART NAME	用量 QTY	适用车型 VEHICLE APPLICABLE TO	备注 REMARK
	5401130-D01	左中立柱总成 B PILLAR ASSEMBLY, LH	1	D01 D02 D03 D22 D23 D24 D43 D44 D46 D50 D65	
1	5401131-D01	左中立柱外板 OUTER PANEL,LEFT B PILLAR	1		
2	5401610-D01	左中立柱下加强板总成 LOWER REINFORCEMENT PANEL ASSEMBLY, B PILLAR, LH	1		
3	5401570-D01	左后门上铰链加强板 REINFORCEMENT,REAR DOOR UPPER HINGE,LH	1		
4	5401550-D01	左中立柱上加强板 UPPER REINFORCEMENT, B PILLAR, LH	1		
5	5401510-D01	左中立柱内板总成 INNER PANEL ASSEMBLY, B PILLAR, LH	1		
6	5401630-D01	左中立柱下铰链加强板总成 REINFORCEMENT ASSEMBLY,LOWER HINGE, B PILLAR,LH	1		
7	5402015-D01-0310	左中立柱上装饰板 UPPER TRIM PANEL,B PILLAR,LH (CREAM COLORED)	1	D01 D02 D03 D50 D65	米黄色
	5402015-D01-0110	左中立柱上装饰板 UPPER TRIM PANEL,B PILLAR,LH (RED)			红色
8	5402017-D01-0314	左中立柱下装饰板 LOWER TRIM PANEL,B PILLAR,LH (LIGHT COFFEE)	1	D01 D02 D03 D50 D65	浅咖啡色
	5402017-D01-0110	左中立柱下装饰板 LOWER TRIM PANEL,B PILLAR,LH (RED,EXPORT)			红色,出口车用
9	6102011-D01	车门内饰板固定扣一 CLIP,NO.1,DOOR TRIM PANEL	4	D43 D44	



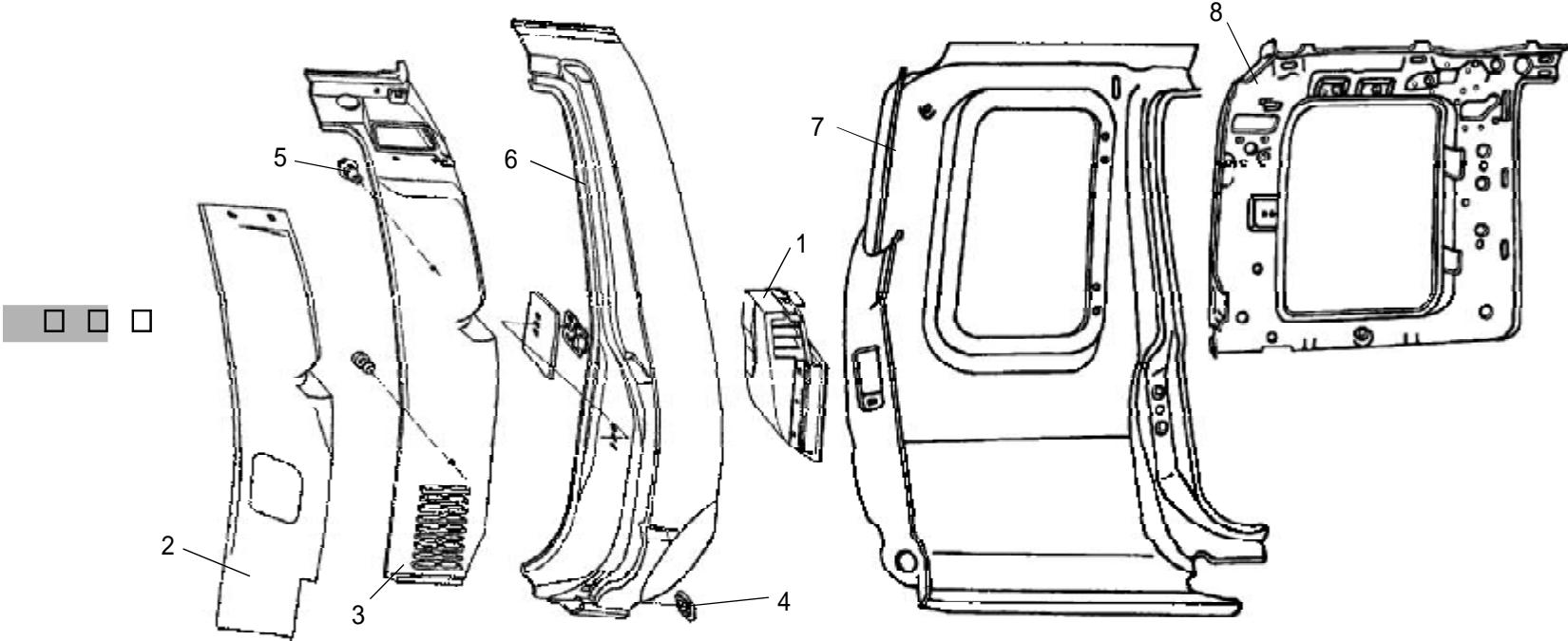
右中立柱总成 RIGHT B PILLAR ASSEMBLY

序号 S/N	零部件代号 PART CODE	零部件名称 PART NAME	用量 QTY	适用车型 VEHICLE APPLICABLE TO	备注 NOTE
	5401140-D01	右中立柱总成 B PILLAR ASSEMBLY,RH	1	D01 D02 D03 D22 D23 D24 D43	
1	5401132-D01	右中立柱外板 OUTER PANEL,B PILLAR,RH	1	D44 D46 D50 D65	
2	5401620-D01	右中立柱下加强板总成 LOWER REINFORCEMENT PANEL ASSEMBLY, B PILLAR, RH	1		
3	5401580-D01	右后门上铰链加强板总成 REINFORCEMENT ASSEMBLY, REAR DOOR UPPER HINGE,RH	1		
4	5401560-D01	右中立柱上加强板总成 UPPER REINFORCEMENT ASSEMBLY, B PILLAR, RH	1		
5	5401520-D01	右中立柱内板总成 INNER PANELASSEMBLY, B PILLAR, RH	1		
7	5402016-D01-0310	右中立柱上装饰板 UPPER TRIM PANEL,B PILLAR,RH (CREAM COLORED)	1	D01 D02 D03 D50 D65	米黄色
	5402016-D01-0110	右中立柱上装饰板 UPPER TRIM PANEL,B PILLAR,RH (RED)			红色
8	5402018-D43-0311	右中立柱下装饰板 LOWER TRIM PANEL,B PILLAR,RH (YELLOW)	1	D43 D45 D46	黄色
	5402018-D01-0314	右中立柱下装饰板 LOWER TRIM PANEL,B PILLAR,RH (LIGHT COFFEE)		D01 D02 D03 D50 D65	浅咖啡色
	5402018-D01-0110	右中立柱下装饰板 LOWER TRIM PANEL,B PILLAR,RH (RED,EXPORT)		D01 D02 D03 D50 D65	红色,出口车用
9	6102011-D01	车门内饰板固定扣一 CLIP,NO.1,DOOR TRIM PANEL	4	D43 D44	



 每天进步一点点

左后立柱总成 LEFT C PILLAR ASSEMBLY



每天进步一点点

左后立柱总成 LEFT C PILLAR ASSEMBLY

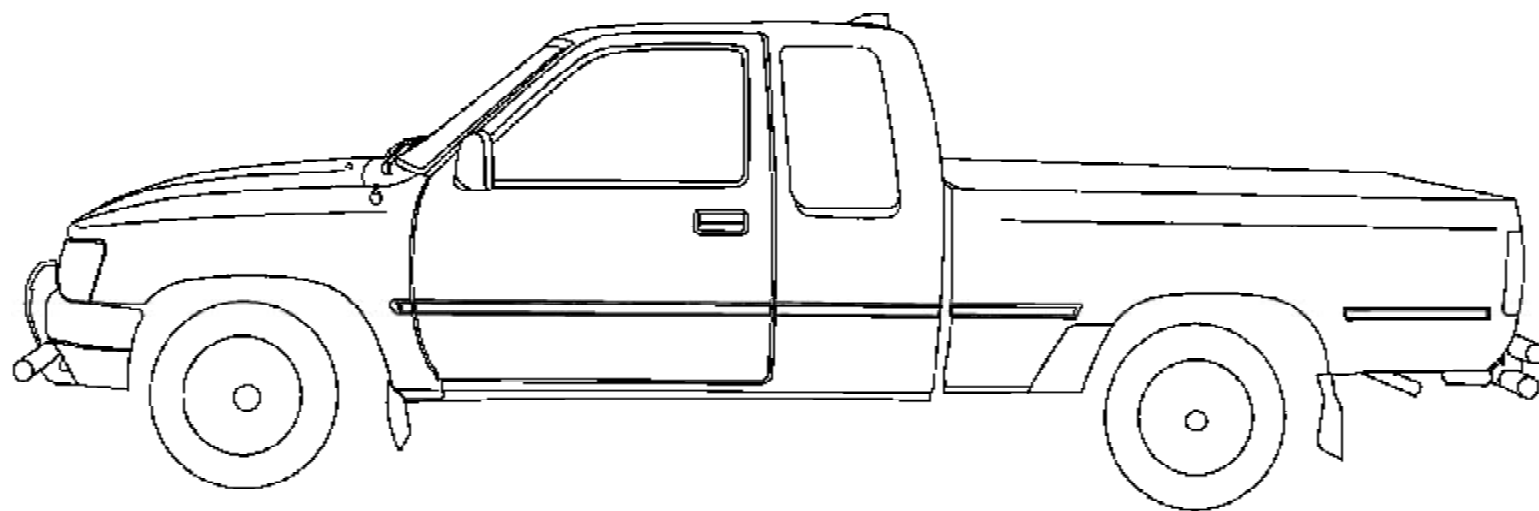
序号 S/N	零部件代号 PART CODE	零部件名称 PART NAME	用量 QTY	适用车型 VEHICLE APPLICABLE TO	备注 REMARK
1	5401012-D01	后立柱外板通风窗 VENTILATION WINDOW, OUTER PANEL,C PILLAR,LH	1	D01 D02 D03 D07 D08 D22 D23 D24 D25 D27 D43 D44 D45 D46 D47 D48 D49 D50 D65	
	5401410-D06	左后立柱外板通风窗 VENTILATION WINDOW, OUTER PANEL,C PILLAR,LH		D04 D06 D19 D21	
2	5402021-D01-0310	左后立柱装饰板 TRIM PANEL,C PILLAR,LH (CREAM COLORED AND CAN BE INSTALLED WITH SPEAKER)	1	D01 D02 D03 D50 D65	米黄色可装扬声器
	5402021-D01-0110	左后立柱装饰板 TRIM PANEL,C PILLAR,LH (EXPORT, RED)		出口车专用	红色
3	5401151-D01	左后立柱内板 INNER PANEL,C PILLAR,LH	1	D01 D02 D03 D04 D05 D06 D22	
4	5401013-D01	后立柱外板胶堵二 RUBBER PLUG NO.2, OUTER PANEL, C PILLAR	1	D23 D24 D25 D27 D43 D44 D46 D48 D49 D50 D65	Φ30
5	5401011-D01	后立柱外板胶堵一 RUBBER PLUG NO.1, OUTER PANEL, C PILLAR	3		Φ17
6	5401730-D01	左后立柱外板总成 OUTER PANEL ASSEMBLY,LEFT C PILLAR	1	D01 D02 D03 D50 D65	
	5401730-D17	左后立柱外板总成 OUTER PANEL ASSEMBLY,LEFT C PILLAR		D02 D03 D17 D18 D23 D24 D38 D39 D45 D46 D65	
	5401730-D06	左后立柱外板总成 OUTER PANEL ASSEMBLY,LEFT C PILLAR		D06 D21	
7	5401231-D04	驾仓左后侧围外板 LEFT OUTER PANEL,REAR WALL,PASSENGER CAB	1	D04 D19 D25 D40 D45	
8	5401970-D04	驾仓左后侧围内板 LEFT INNER PANEL,REAR WALL,PASSENGER CAB	1		




右后立柱总成 RIGHT C PILLAR ASSEMBLY

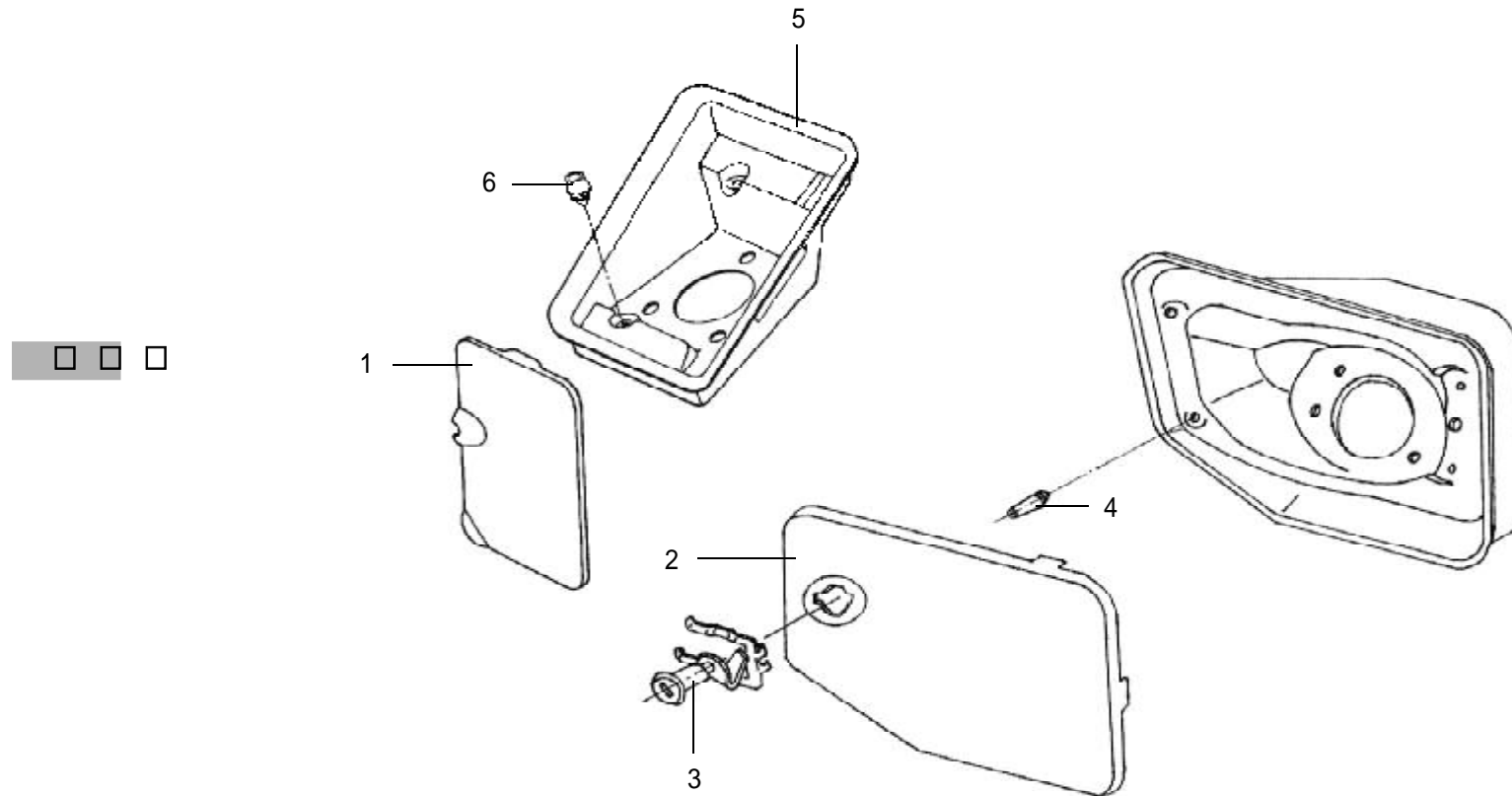
序号 NO.	零部件代号 PART CODE	零部件名称 PART NAME	用量 QTY	适用车型 VEHICLE APPLICABLE TO	备注 NOTE
1	5401420-D06	右后立柱外板通风窗 VENTILATION WINDOW, OUTER PANEL,C PILLAR,RH	1	D04 D06 D19 D21	
2	5402022-D01-0310	右后立柱装饰板 TRIM PANEL,C PILLAR,RH (CREAM COLORED AND CAN BE INSTALLED WITH SPEAKER)	1	D01 D02 D03 D50 D65	米黄色可装扬声器
	5402022-D01-0110	右后立柱装饰板 TRIM PANEL,C PILLAR,RH (EXPORT, RED)		出口车专用	红色
3	5401152-D01	右后立柱内板总成 INNER PANEL,C PILLAR,RH	1	D01 D02 D03 D04 D05 D06 D22	
4	5401013-D01	后立柱外板胶堵二 RUBBER PLUG NO.2, OUTER PANEL, C PILLAR	2	D23 D24 D25 D27 D43 D44 D46 D48 D49 D50 D65	Φ30
5	5401011-D01	后立柱外板胶堵一 RUBBER PLUG NO.1, OUTER PANEL, C PILLAR	3		Φ17
□ 6	5401740-D01	右后立柱外板总成 OUTER PANEL ASSEMBLY, RIGHT C PILLAR	1	D01 D02 D03 D50 D65	
	5401740-D17	右后立柱外板总成 OUTER PANEL ASSEMBLY, RIGHT C PILLAR		D02 D03 D17 D18 D23 D24 D38 D39 D45 D46 D65	
	5401740-D06	右后立柱外板总成 OUTER PANEL ASSEMBLY, RIGHT C PILLAR		D06 D21	
7	5401232-D04	驾仓右后侧围外板 RIGHT OUTER PANEL,REAR WALL,PASSENGER CAB	1	D04 D19 D25 D40 D45	
8	5401980-D04	驾仓右后侧围内板总成 RIGHT INNER PANEL ASSEMBLY,REAR WALL,PASSENGER CAB	1		





 每天进步一点点

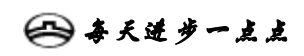
油箱门盖板总成 FUEL-FILLER DOOR ASSEMBLY



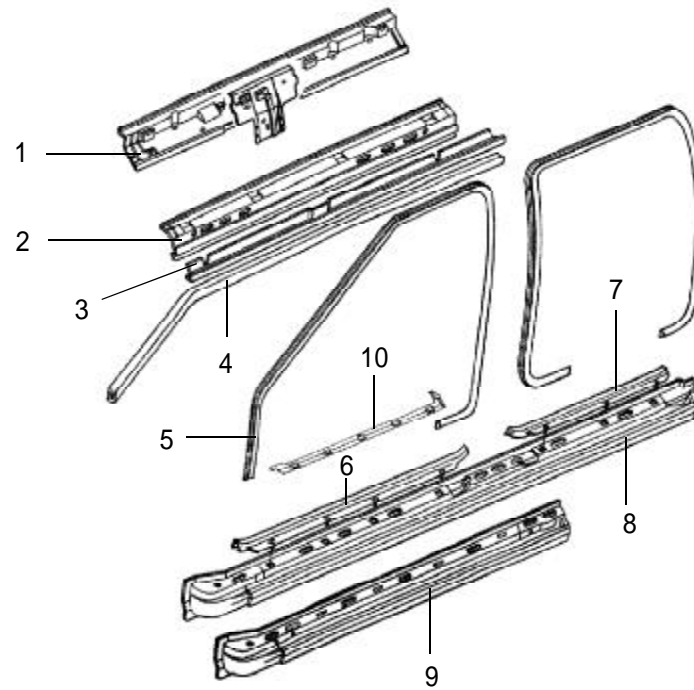
每天进步一点点

油箱门盖板总成 FUEL-FILLER DOOR ASSEMBLY

序号 S/N	零部件代号 PART CODE	零部件名称 PART NAME	用量 QTY	适用车型 VEHICLE APPLICABLE TO	备注 REMARK
1	5401201-D01-A1	油箱门盖板总成 FUEL-FILLER DOOR ASSEMBLY	1	D01 D07 D16 D22 D37 D43 D62 D50 D66	
2	8500100-D17	油箱门总成 FUEL-FILLER DOOR ASSEMBLY	1	D02 D03 D04 D05 D06 D08 D09	
3	3704040-D17	大双油箱门锁芯 LOCK CYLINDER, FUEL-FILLER DOOR	1	D17 D18 D19 D21 D23 D24 D25	
4	5401202-D17	油箱门缓冲胶块 DAMPING BLOCK, FUEL-FILLER DOOR	2	D26 D27 D38 D39 D40 D41 D42 D45 D46 D47 D48 D49 D65	
5	5130016-D01	加油口座 SEAT,FUEL FILLER	1	D01 D07 D16 D22 D37 D43 D50	
6	5401202-D01	油箱门缓冲胶块 DAMPING BLOCK, FUEL-FILLER DOOR	2	D66	



左侧围上下梁 LEFT BODY SIDE UPPER AND LOWER RAIL



左侧围上下梁 LEFT BODY SIDE UPPER AND LOWER RAIL

序号 S/N	零部件代号 PART CODE	零部件名称 PART NAME	用量 QTY	适用车型 VEHICLE APPLICABLE TO	备注 REMARK
	5401100-D17	左侧围总成 BODY SIDE ASSEMBLY,LH	1	D17	
	5401100-D04	左侧围总成 BODY SIDE ASSEMBLY,LH		D04	
	5401100-D06	左侧围总成 BODY SIDE ASSEMBLY,LH		D06 D21	
1	5401830-D06	左上梁内板总成 INNER PANEL ASSEMBLY,UPPER BEAM,LH	1		
	5401830-D01	左上梁内板总成 INNER PANEL ASSEMBLY,UPPER BEAM,LH		D01 D02 D03 D04 D06 D07 D08 D22 D23 D24 D25 D27 D43 D44 D45 D46 D47 D48 D49 D50 D65	
2	5401813-D01	左上梁外板 OUTER PANEL,UPPER BEAM,LH	1		
	5401813-D06	左上梁外板 OUTER PANEL,UPPER BEAM,LH		D06 D21	
3	5401811-D01	左顶流水槽 ROOF RAIL,LH	1	D01 D02 D03 D04 D06 D07 D08 D22	
	5401811-D06	左顶流水槽 ROOF RAIL,LH		D06 D21	
4	6107401-D01	左水道槽胶条 RUBBER STRIP,ROOF RAIL,LH	1	D01 D02 D03 D22 D23 D24 D43 D44 D45 D46 D50 D65	
	6107601-D06	左水道槽胶条 RUBBER STRIP,ROOF RAIL,LH		D04 D06 D19 D21	
5	6107100-D01-0310	前侧面车门 U 型卡条 FRONT DOOR U-CLIP (MODEL 2003, CREAM-COLORED)	1	D01 D02 D03 D50 D65	2003 款米黄色
	6107101-D04-0310	前侧面车门 U 型卡条 FRONT DOOR U-CLIP (CREAM-COLORED)	1	D04 D06 D19 D21	米黄色
6	5124101-D06-0314	左前门槛压条 CLAMPING BAR, FRONT ROCKER, LH (LIGHT COFFEE)	1		浅咖啡色
	5124011-D01-0110	左前门槛压条 CLAMPING BAR, FRONT ROCKER, LH (RED)		D01 D02 D03 D50 D65	红色
	5124011-D01-0314	左前门槛压条 CLAMPING BAR, FRONT ROCKER, LH (MODEL 2003, LIGHT COFFEE)			2003 款浅咖啡色
7	5136011-D01-0314	左后门槛压条 CLAMPING BAR, REAR ROCKER, LH (MODEL 2003, LIGHT COFFEE)	1		2003 款浅咖啡
8	5401210-D01	左下边梁外板总成 OUTER PANEL ASSEMBLY,LOWER SIDE BEAM,LH	1	D01 D02 D03 D07 D08 D22 D23 D24 D37 D38 D43 D44 D46 D50 D65	



左侧围上下梁 LEFT BODY SIDE UPPER AND LOWER RAIL

序号 S/N	零部件代号 PART CODE	零部件名称 PART NAME	用量 QTY	适用车型 VEHICLE APPLICABLE TO	备注 REMARK
9	5401210-D06	左下边梁外板总成 OUTER PANEL ASSEMBLY,LOWER SIDE BEAM,LH	1	D04 D06 D19 D21 D25 D40 D47	
10	4016045-D01	左前门槛护线盒 WIRE PROTECTOR,FRONT ROCKER, LH	1	D01 D02 D03 D22 D23 D24 D43 D44 D46 D50 D65	



右侧围上下梁 RIGHT SIDE WALL UPPER AND LOWER RAIL

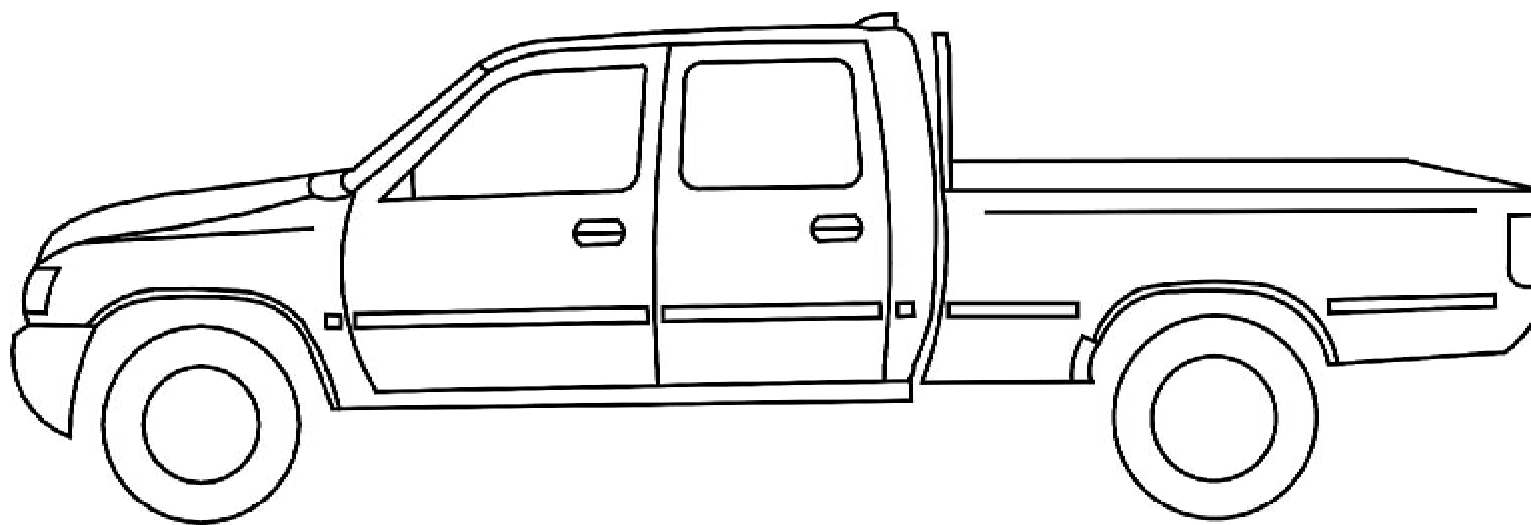
序号 S/N	零部件代号 PART CODE	零部件名称 PART NAME	用量 QTY	适用车型 VEHICLE APPLICABLE TO	备注 REMARK
	5401200-D17	右侧围总成 BODY SIDE ASSEMBLY,RH	1	D17	
	5401200-D04	右侧围总成 BODY SIDE ASSEMBLY,RH		D04	
	5401200-D06	右侧围总成 BODY SIDE ASSEMBLY,RH		D06 D21	
1	5401840-D06	右上梁内板 INNER PANEL ASSEMBLY,UPPER BEAM,RH	1		
	5401840-D01	右上梁内板 INNER PANEL ASSEMBLY,UPPER BEAM,RH		D01 D02 D03 D04 D06 D07 D08 D22 D23 D24 D25 D27 D43 D44 D45 D46 D47 D48 D49 D50 D65	
2	5401814-D01	右上梁外板 OUTER PANEL,UPPER BEAM,RH	1		
	5401814-D06	右上梁外板 OUTER PANEL,UPPER BEAM,RH		D06 D21	
3	5401812-D01	右顶流水槽 ROOF RAIL,RH	1	D01 D02 D03 D04 D06 D07 D08 D22 D23 D24 D25 D27 D43 D44 D45 D46 D47 D48 D49 D50 D65	
	5401812-D06	右顶流水槽 ROOF RAIL,RH		D06 D21	
4	6107402-D01	右水道槽胶条 RUBBER STRIP,ROOF RAIL,RH	1	D01 D02 D03 D22 D23 D24 D43 D44 D45 D46 D50 D65	
	6107602-D06	右水道槽胶条 RUBBER STRIP,ROOF RAIL,RH		D04 D06 D19 D21	
5	6107100-D01-0310	前侧面车门 U 型卡条 FRONT DOOR U-CLIP (MODEL 2003, CREAM-COLORED)	1	D01 D02 D03 D50 D65	2003 款米黄色
	6107101-D04-0310	前侧面车门 U 型卡条 FRONT DOOR U-CLIP (CREAM-COLORED)		D04 D06 D19 D21	米黄色
6	5124102-D06-0314	右前门槛压条 CLAMPING BAR, FRONT ROCKER, RH	1		
	5124012-D01-0110	右前门槛压条 CLAMPING BAR, FRONT ROCKER, RH (RED)		D01 D02 D03 D50 D65	红色
	5124012-D01-0314	右前门槛压条 CLAMPING BAR, FRONT ROCKER, RH (MODEL 2003, LIGHT COFFEE)			2003 款浅咖啡色
7	5136012-D01-0314	右后门槛压条 CLAMPING BAR, REAR ROCKER, RH (MODEL 2003, LIGHT COFFEE)	1		2003 款浅咖啡
8	5401220-D01	右下边梁外板总成 OUTER PANEL ASSEMBLY,LOWER SIDE BEAM, RH	1	D01 D02 D03 D07 D08 D22 D23 D24 D37 D38 D43 D44 D46 D50 D65	



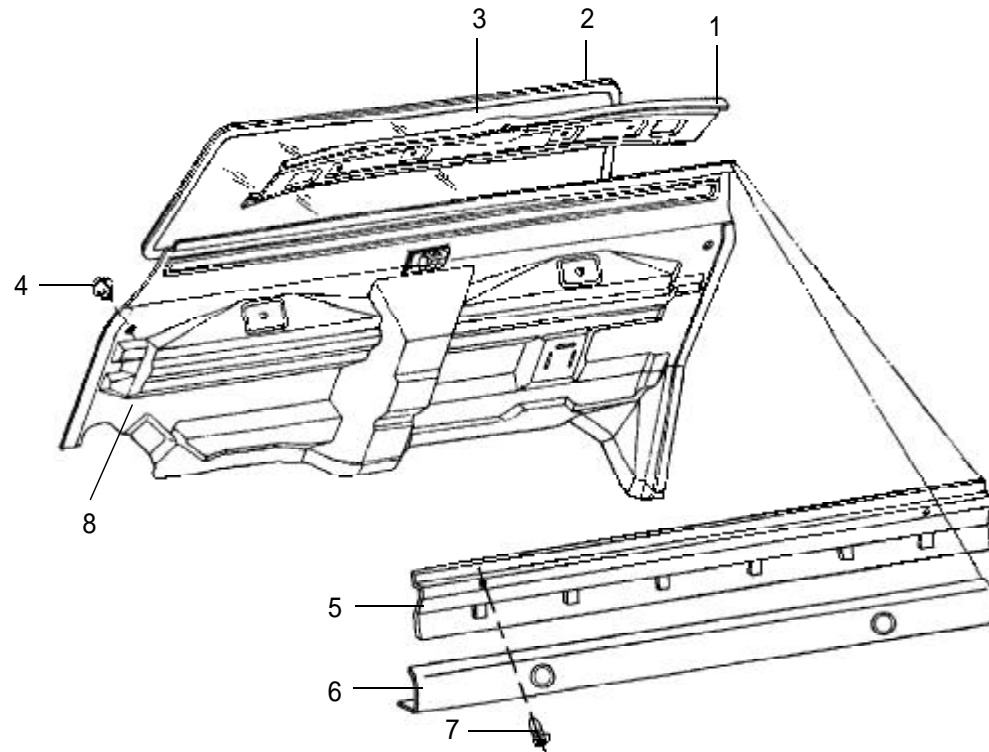
右侧围上下梁 RIGHT SIDE WALL UPPER AND LOWER RAIL

序号 S/N	零部件代号 PART CODE	零部件名称 PART NAME	用量 QTY	适用车型 VEHICLE APPLICABLE TO	备注 REMARK
9	5401212-D06	右下边梁外板总成 OUTER PANEL ASSEMBLY,LOWER SIDE BEAM, RH	1	D04 D19 D25 D40 D47	
10	4016046-D01	右后车线护线盒 REAR WIRE PROTECTOR,RH	1	D01 D02 D03 D22 D23 D24 D43 D44 D46	





后围总成 REAR WALL ASSEMBLY

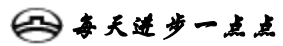
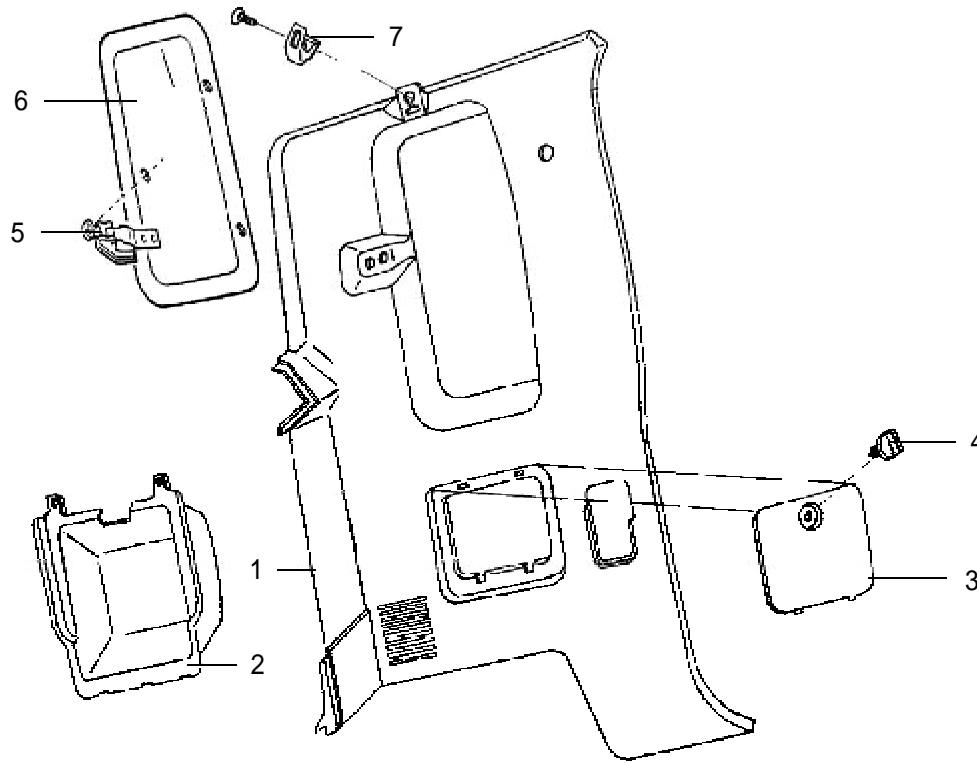


后围总成 REAR WALL ASSEMBLY

序号 S/N	零部件代号 PART CODE	零部件名称 PART NAME	用量 QTY	适用车型 VEHICLE APPLICABLE TO	备注 REMARK
1	5701200-D01	顶盖后横梁总成 REAR ROOF BOW ASSEMBLY	1	D01 D02 D03 D22 D43 D45 D46 D50 D65 D66	
	5701201-D04	顶盖后横梁总成 REAR ROOF BOW ASSEMBLY		D04 D19	
	5701200-D06	顶盖后横梁总成 REAR ROOF BOW ASSEMBLY		D06 D21	
2	5603012-D01	后风窗密封条 SEAL,REAR WINDSHIELD	1	D01 D02 D03 D06 D16 D17 D18 D21 D22 D23 D24 D43 D44 D45	
3	5603011-D01	后风窗玻璃 REAR WINDSHIELD	1	D46 D48 D49 D50 D65 D66	
	5603011-D04	后风窗玻璃 REAR WINDSHIELD	1	D04 D19 D25 D40 D47 D76 D77 D91 D92 D93 D94	
	5603011-D06	后风窗玻璃 REAR WINDSHIELD	1	D06 D21 D27 D42 D48 D78 D79	
4	5601015-D01	后围胶堵 RUBBER PLUG,REAR WALL	2	D43 D44 D45 D46 D48 D49	Φ17
5	5602011-D01-0310	后围横梁装饰板 TRIM PANEL,CROSSMEMBER,REAR WALL (CREAM-COLORED)	1	D01 D02 D03 D50 D65 D66	米黄色
	5602011-D01-0110	后围横梁装饰板 TRIM PANEL,CROSSMEMBER,REAR WALL (EXPORT ,RED)		出口车专用	红色
6	5602011-D04-0310	后围横梁装饰板 TRIM PANEL,CROSSMEMBER,REAR WALL (DARK GREY)	1	D04 D19 D25 D40 D47	深灰色
7	5602012-D01-0310	塑扣 S-9 CLIP S-9 (CREAM-COLORED)	2	D01 D02 D03 D04 D05 D06 D50 D65 D66	米黄色
	5602012-D01-0110	后围横梁装饰板塑扣 CLIP,TRIM PANEL,CROSS MEMBER,REAR WALL (EXPORT,RED)		出口车专用	红色
8	5601100-D01	后围板总成 BACK PANEL ASSEMBLY	1	D01 D02 D03 D16 D17 D18 D22 D23 D24 D43 D44 D45 D46 D48 D49 D50 D65 D66	
	5601010-D04	后围板总成 BACK PANEL ASSEMBLY		D04 D19	
	5601010-D06	后围板总成 BACK PANEL ASSEMBLY		D06 D21	



左立柱装饰板及后侧窗 LEFT PILLAR TRIM PANEL AND BACK SIDE WINDOW



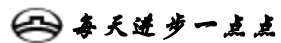
左立柱装饰板及后侧窗 LEFT PILLAR TRIM PANEL AND BACK SIDE WINDOW

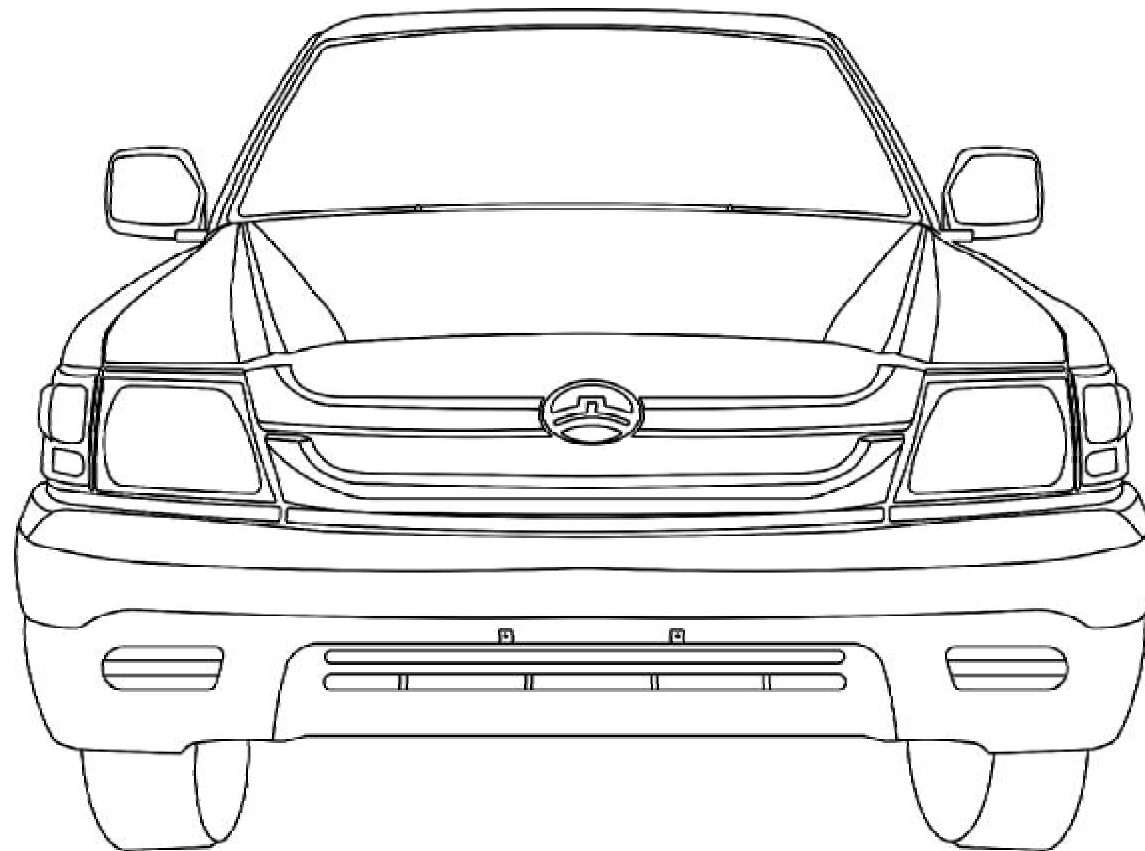
序号 S/N	零部件代号 PART CODE	零部件名称 PART NAME	用量 QTY	适用车型 VEHICLE APPLICABLE TO	备注 REMARK
1	5402021-D04-3A*3E	左后立柱装饰板 TRIM PANEL,C PILLAR,LH (CREAM COLORED + LIGHT COFFEE)	1	D04 D19	米黄+浅咖啡色
2	5402031-D01-0314	置物盒 POCKET (LIGHT COFFEE)	1	D04 D19	浅咖啡色
3	5402032-D01-0314	置物盒盖 POCKET LID (LIGHT COFFEE)	1		浅咖啡色
4	5402033-D01-0314	置物盒盖旋钮 KNOB, POCKET LID (LIGHT COFFEE)	1		浅咖啡色
5	5603100-D04	侧窗锁扣 STRIKER,SIDE WINDOW	1	D04 D47 D19	
6	6203011-D04	左后侧面玻璃 REAR DOOR GLASS,LH	1	D04 D19 D25 D40 D47	
7	5603201-D04-0310	后立柱衣帽钩 COAT & HAT HOOK (CREAM COLORED)	1	D04 D19	米黄色



右立柱装饰板及后侧窗 RIGHT PILLAR TRIM PANEL AND BACK SIDE WINDOW

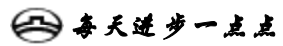
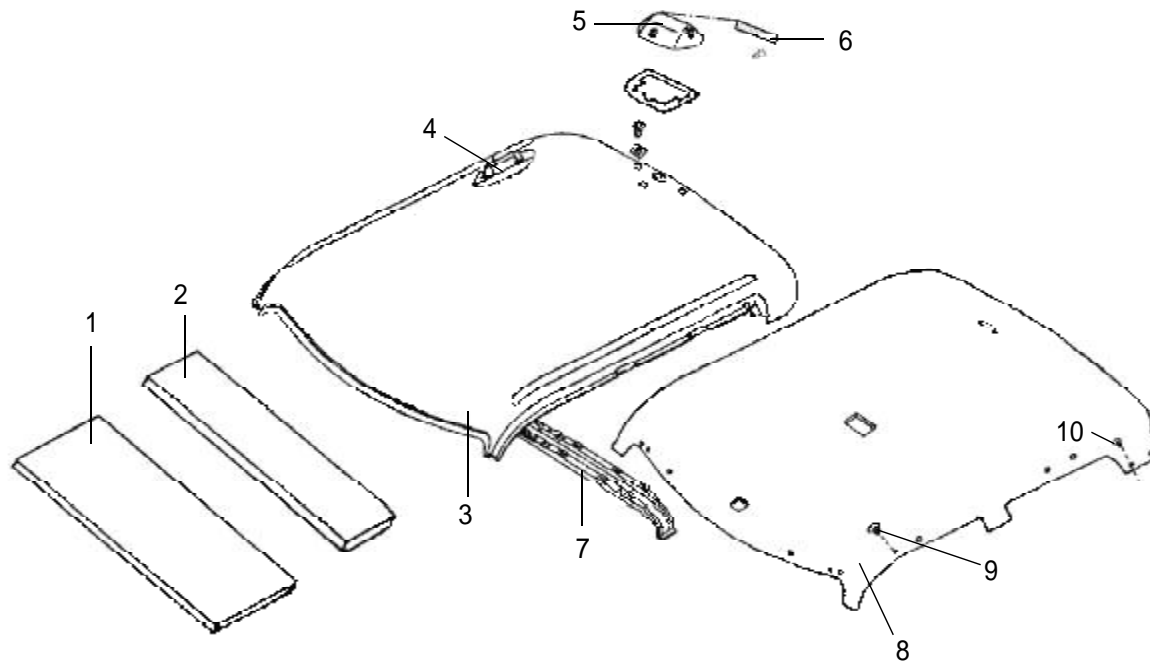
序号 S/N	零部件代号 PART CODE	零部件名称 PART NAME	用量 QTY	适用车型 VEHICLE APPLICABLE TO	备注 REMARK
1	5402022-D04-3A*E	右后立柱装饰板 TRIM PANEL,C PILLAR,RH (CREAM COLORED + LIGHT COFFEE)	1	D04 D19	米黄+浅咖啡色
2	5402031-D01-0314	置物盒 POCKET (LIGHT COFFEE)	1		浅咖啡色
3	5402032-D01-0314	置物盒盖 POCKET LID (LIGHT COFFEE)	1		浅咖啡色
4	5402033-D01-0314	置物盒盖旋钮 KNOB, POCKET LID (LIGHT COFFEE)	1	D04 D19	浅咖啡色
5	5603100-D04	侧窗锁扣 STRIKER,SIDE WINDOW	1	D04 D47 D19	
6	6203011-D04	右后侧面玻璃 REAR DOOR GLASS,RH	1	D04 D19 D25 D40 D47	
7	5402025-D04-0310	后立柱衣帽钩 COAT& HAT HOOK (CREAM COLORED)	1	D04 D19	米黄色





 每天进步一点点

顶盖总成（一） ROOF PANEL ASSEMBLY (1)



顶盖总成(一) ROOF PANEL ASSEMBLY (1)

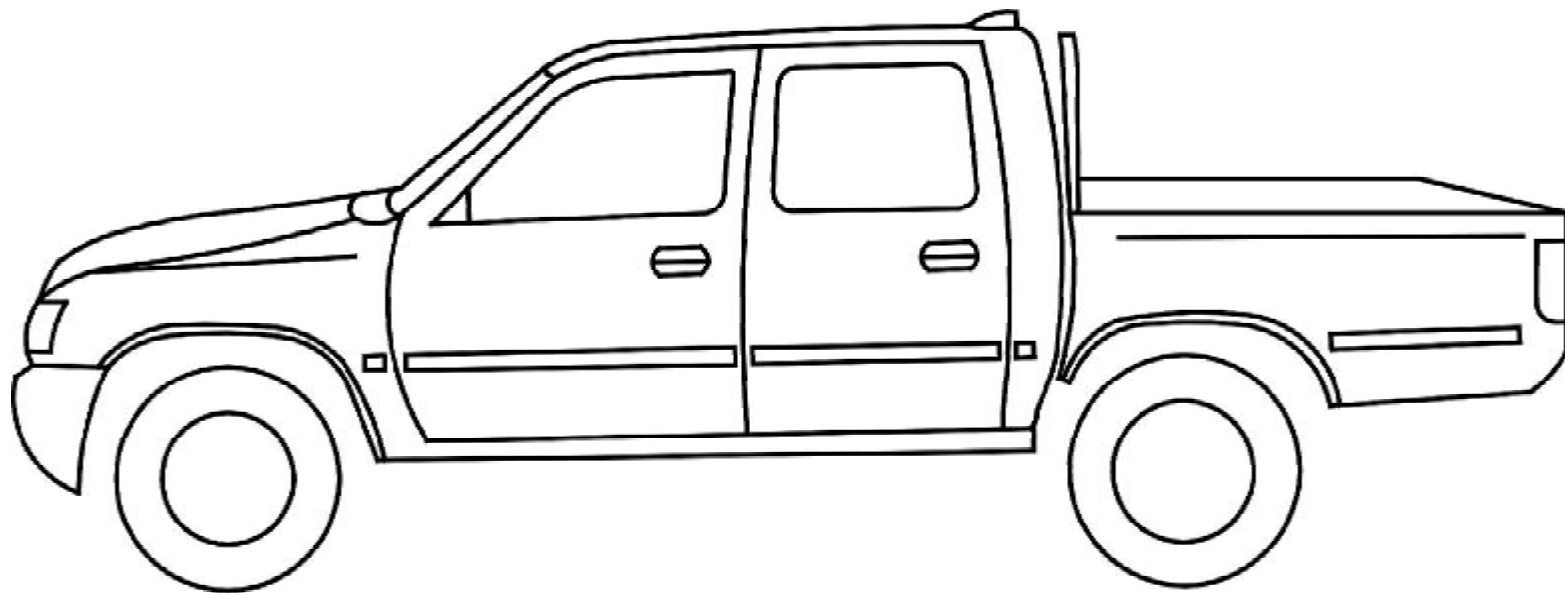
序号 S/N	零部件代号 PART CODE	零部件名称 PART NAME	用量 QTY	适用车型 VEHICLE APPLICABLE TO	备注 REMARK
1	5710011-D01	顶盖前部隔热层 HEAT INSULATOR,FRONT ROOF	1	D01 D02 D03 D22 D23 D24 D43	
2	5710012-D01	顶盖中部隔热层 HEAT INSULATOR,CENTER ROOF	1	D44 D45 D46 D50 D65 D66	
	5710013-D01	顶盖后部隔热层 HEAT INSULATOR,REAR ROOF	1		
3	5701013-D01	顶盖 ROOF PANEL	1	D01 D02 D03 D22 D43 D45 D46 D50 D65 D66	
	5701011-D06	顶盖 ROOF PANEL		D06 D21	
4	8215010-D07-0110	顶盖扶手总成 ROOF HANDLE ASSEMBLY (EXPORT,RED)	3	出口车专用	红色
	8215010-D62-0310	顶盖扶手总成 ROOF HANDLE ASSEMBLY (ECONOMY, CREAM COLORED)		D04 D06 D19 D21 D62 D63 D64	经济型米黄色
	8215010-D01-0310	顶盖扶手总成 ROOF HANDLE ASSEMBLY (MAHOGANY PATTERN PURPLISH RED)		D01 D02 D03 D04 D06 D07 D08 D19 D21D50 D65 D66	亚光桃木纹枣红色
	8215010-D07-0310	顶盖扶手总成 ROOF HANDLE ASSEMBLY (CREAM COLORED)			米黄色
5	4134010-D01	高位制动灯总成 HIGH-MOUNTED BRAKE LAMP ASSEMBLY (WITHOUT FINISH PAINT)	1	D01 D02 D03 D04 D06 D07 D08 D19 D21 D22 D23 D24 D25 D27	白皮
6	4134014-D01	高位制动灯发光板 LUMINESCENCE PLATE,HIGH-MOUNTED BRAKE LAMP	1	D43 D44 D45 D46 D47 D48 D49 D50 D65 D66	
7	5701012-D01	顶盖横梁 ROOF BOW	2	D01 D02 D03 D22 D43 D45 D46 D50 D65 D66	
8	5702011-D01-0110	顶篷 ROOF LINER (EXPORT, RED)	1	出口车专用	红色
	5702011-D01-0310	顶篷 ROOF LINER (MODEL 2003, CREAM COLORED)		D01 D02 D03 D50 D65 D66	2003 款米黄色
	5702011-D06-0310	顶篷 ROOF LINER		D06 D21	
9	5702012-D01-0310	顶篷大涨扣 BIG MOUNTING CLIP,ROOF LINER (CREAM COLORED)	2	D01 D02 D03 D04 D05 D06 D19 D21 D22 D23 D24 D43 D44 D45	米黄色
	5702012-D01-0110	顶篷大涨扣 BIG MOUNTING CLIP,ROOF LINER (EXPORT, RED)		出口车专用	红色



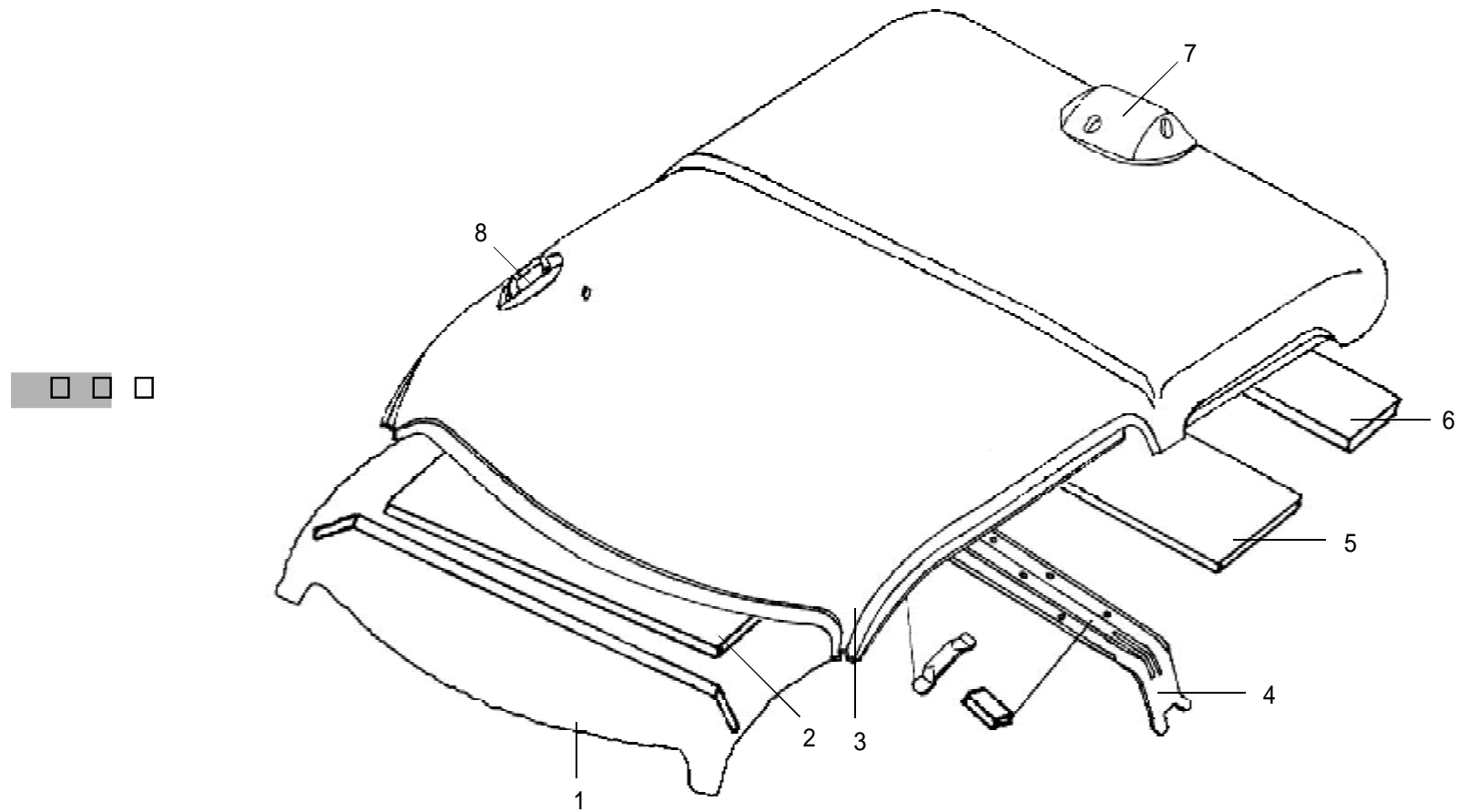
顶盖总成(一) ROOF PANEL ASSEMBLY (1)

序号 S/N	零部件代号 PART CODE	零部件名称 PART NAME	用量 QTY	适用车型 VEHICLE APPLICABLE TO	备注 REMARK
10	5702013-D01-0310	顶篷小涨扣 SMALL MOUNTING CLIP,ROOF LINER (CREAM COLORED)	4	D01 D02 D03 D04 D05 D06 D22 D23 D24 D43 D44 D45 D46 D47 D48 D49 D50 D65 D66	米黄色
	5702013-D01-0110	顶篷小涨扣 SMALL MOUNTING CLIP,ROOF LINER (EXPORT,RED)		出口车专用	红色





顶盖总成（二） ROOF PANEL ASSEMBLY (2)



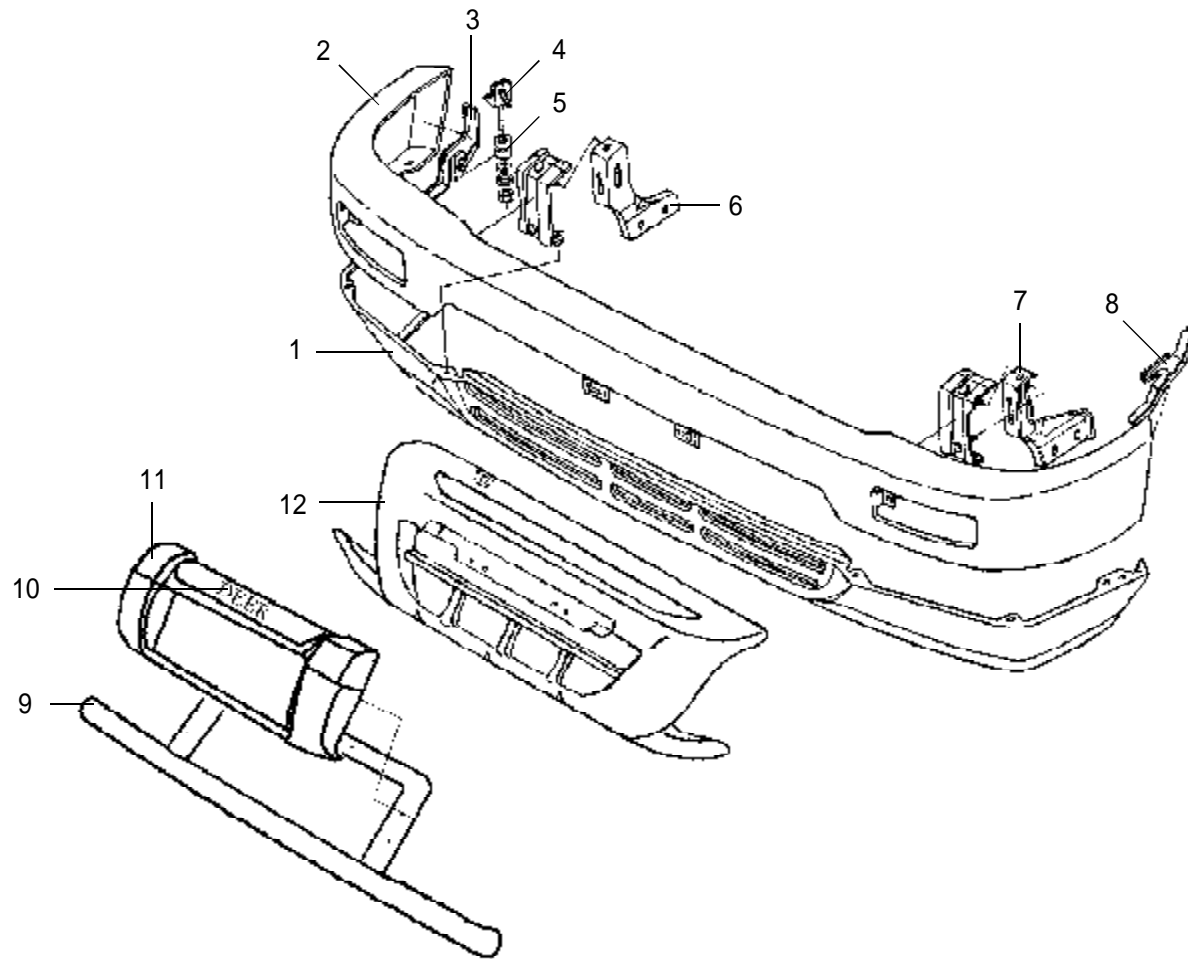
每天进步一点点

顶盖总成(二) ROOF PANEL ASSEMBLY (2)

序号 S/N	零部件代号 PART CODE	零部件名称 PART NAME	用量 QTY	适用车型 VEHICLE APPLICABLE TO	备注 REMARK
1	5702011-D04-0310	顶篷 ROOF LINER (CREAM COLORED)	1	D04 D47 D48 D49	米黄色
2	5710011-D01	顶盖前部隔热层 HEAT INSULATOR,FRONT ROOF	1	D01 D02 D03 D22 D23 D24 D43 D44 D45 D46 D50 D65 D66	
3	5701000-D04	顶盖总成 ROOF PANEL ASSEMBLY	1	D04 D19 D25 D40 D47	
4	5701012-D01	第一横梁 FIRST CROSS MEMBER	1	D01 D02 D03 D22 D43 D45 D46 D50 D65 D66	
5	5710012-D01	顶盖中部隔热层 HEAT INSULATOR,CENTER ROOF	1	D01 D02 D03 D22 D23 D24 D43 D44 D45 D46 D50 D65 D66	
6	5710013-D01	顶盖后部隔热层 HEAT INSULATOR,REAR ROOF	1		
7	4134010-D01	高位制动车灯总成 HIGH-MOUNTED BRAKE LAMP ASSEMBLY (WITHOUT FINISH PAINT)	1	D01 D02 D03 D04 D06 D19 D21 D22 D23 D24 D43 D44 D46 D47 D48 D49 D50 D65 D66	白皮
8	8215010-D07-0110	顶盖扶手总成 ROOF HANDLE ASSEMBLY (EXPORT, RED)	1	出口车专用	红色
	8215010-D62-0310	顶盖扶手总成 ROOF HANDLE ASSEMBLY (ECONOMY, CREAM COLORED)		D62 D63 D64	经济型米黄色
	8215010-D01-0310	顶盖扶手总成 ROOF HANDLE ASSEMBLY (MAHOGANY PATTERN PURPLISH RED)		D06 D21 D43 D44 D45 D46	亚光桃木纹枣红色
	8215010-D07-0310	顶盖扶手总成 ROOF HANDLE ASSEMBLY (CREAM COLORED)		D01 D02 D03 D07 D08 D50 D65 D66	米黄色



前保险杠带支架总成 FRONT BUMPER WITH BRACKET ASSEMBLY



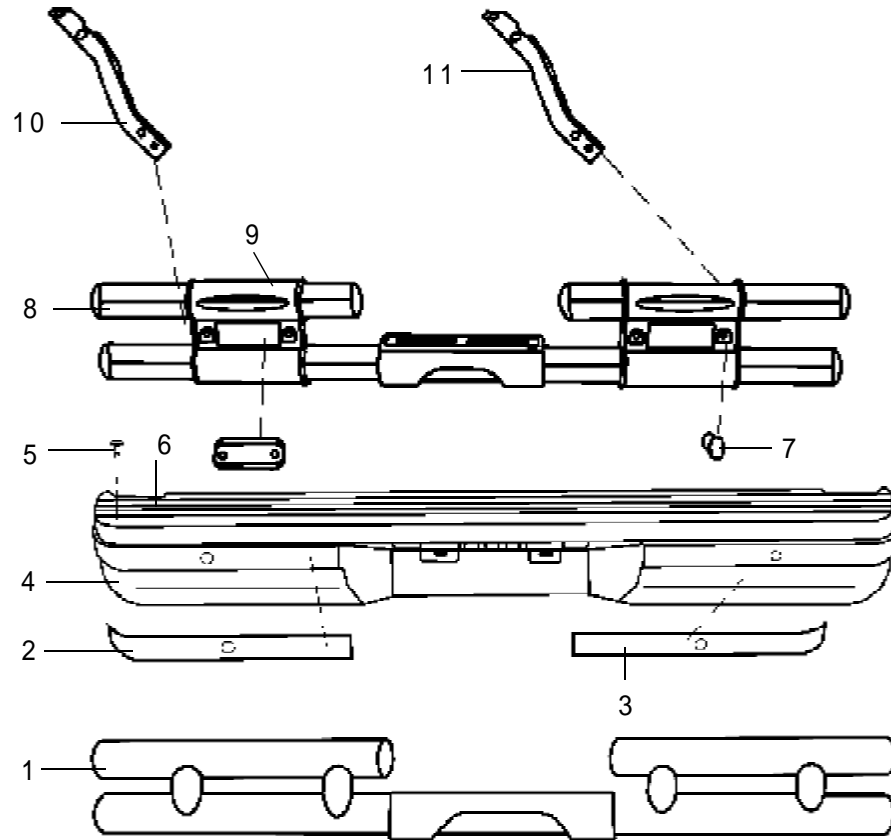
每天进步一点点

前保险杠带支架总成 FRONT BUMPER WITH BRACKET ASSEMBLY

序号 S/N	零部件代号 PART CODE	零部件名称 PART NAME	用量 QTY	适用车型 VEHICLE APPLICABLE TO	备注 REMARK	
1	2803201-D22	前保险杠下体 FRONT BUMPER LOWER PART ASSEMBLY (PLASTIC)	1	D22 D23 D24 D43 D46 D47 D48 D49	塑料	
2	2803100-D22	前保险杠上体总成 FRONT BUMPER UPPER PART ASSEMBLY (WITH ANTI COLLISION BUMPER MOUNTING HOLE)	1	D22 D23 D24 D43 D46 D48 D49 D47	有防撞杠安装孔	
3	2803602-D22	前保险杠右辅助支架 RIGHT ASSISTANT BRACKET,FRONT BUMPER	1	D22 D23 D24 D43 D44 D46 D47 D48 D49		
4	2803410-D22	前保险杠托架 FRONT BUMPER BRACKET	1			
5	2803101-D43	保险杠固定圈胶垫 FIXING RUBBER RING,BUMPER	2			
6	2803302-D43	前保险杠右支架 RIGHT BRACKET, FRONT BUMPER (WITHOUT FINISH PAINT)	1		白皮	
7	2803301-D43	前保险杠左支架 LEFT BRACKET, FRONT BUMPER (WITHOUT FINISH PAINT)	1		白皮	
8	2803601-D22	前保险杠左辅助支架 LEFT ASSISTANT BRACKET,FRONT BUMPER	1			
9	2803501-D43-B1	前护杠本体 FRONT GUARD BUMPER (MODEL 2001,WITHOUT RUBBER PLUG)	1		D43 D44 D46 D47 D48 D49	2001 款不带胶堵
10	2803504-D43	前护杠字标 WORD MARK,FRONT GUARD BUMPER (DEER HORIZONTAL)	1			DEER 横向
11	2803503-D43	护杠装饰板 TRIM PANEL,FRONT GUARD BUMPER	2			
12	2803500-D22	前护杠总成 FRONT GUARD BUMPER ASSEMBLY (MODEL 2002, PLASTIC)	1	D22 D23 D24	2002 款塑料	



后保险杠总成 REAR BUMPER ASSEMBLY

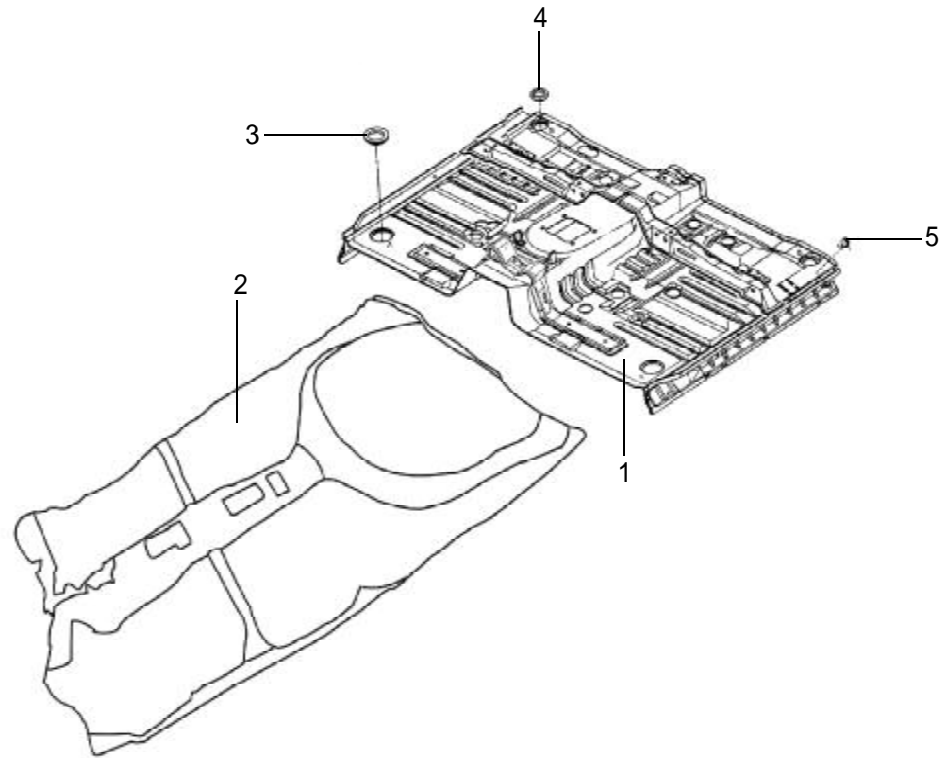


后保险杠总成 REAR BUMPER ASSEMBLY

序号 S/N	零部件代号 PART CODE	零部件名称 PART NAME	用量 QTY	适用车型 VEHICLE APPLICABLE TO	备注 REMARK
1	2804010-D43	后保险杠总成 REAR BUMPER ASSEMBLY (MODEL 2001)	1	D43 D44 D46 D47 D48 D49	2001 款
	2804010-D43-D1	后保险杠总成 REAR BUMPER ASSEMBLY (NEW MODEL 2001, WITH SENSOR MOUNTING HOLE)		D43 D46 D47 D48 D49	2001 新款加探头安装孔
2	2804015-D43-B1	后保险杠左防撞条 LEFT ANTISCUFF RIB, REAR BUMPER	1	D43 D46 D47 D48 D49	
3	2804016-D43-B1	后保险杠右防撞条 RIGHT ANTISCUFF RIB, REAR BUMPER	1		
4	2804010-D43-B1	后保险杠总成 REAR BUMPER ASSEMBLY (MODEL 1999)	1	D04 D06 D19 D21 D43 D46 D47 D48 D49	1999 款
	2804011-D43-B1	后保险杠 REAR BUMPER (MODEL 1999)	1		1999 款
	2804100-D43-B1	后保险杠连接副板总成 CONNECTING PLATE ASSEMBLY,REAR BUMPER (MODEL 1999)	1	D43 D46 D47 D48 D49	1999 款
5	2804017-D43-B1	后保险杠螺丝 SCREW,REAR BUMPER (ELECTROPLATE)	14		电镀
6	2804012-D43-B1	后保险杠盖板 COVER PLATE,REAR BUMPER	1		
7	3603020-D01	倒车雷达探头 BACK-UP RADAR SENSOR ASSEMBLY	2	D01 D03 D04 D06 D19 D21	
	3603020-D23	倒车雷达探头 BACK-UP RADAR SENSOR ASSEMBLY	2	D02 D23	
	3603020-D22	倒车雷达探头 BACK-UP RADAR SENSOR ASSEMBLY	2	D22 D24 D43 D44 D46 D47	
8	2804010-D01	后保险杠本体 REAR BUMPER (MODEL 2003, WITH REAR FOG LAMP)	1	D01 D02 D03 D04 D06 D16 D17 D18 D19 D21 D50 D65 D66	2003 款有后雾灯
9	2804018-D22	后保险杠胶套 CUSHION,REAR BUMPER	2	D01 D02 D03 D04 D16 D17 D18 D19	
10	2804013-D43-C1	后保险杠左支架 LEFT BRACKET,REAR BUMPER (MODEL 99, EXPORT VEHICLE)	1		99 款出口车专用
	2804014-D43-C1	后保险杠右支架 RIGHT BRACKET,REAR BUMPER (MODEL 99 EXPORT VEHICLE)			
11	2804015-D01	后保险杠左支架 LEFT BRACKET,REAR BUMPER (TONGYONG)	1	通用	
	2804016-D01	后保险杠右支架 RIGHT BRACKET,REAR BUMPER (TONGYONG)			



地板（一）——前地板 FLOOR (1)- FRONT FLOOR

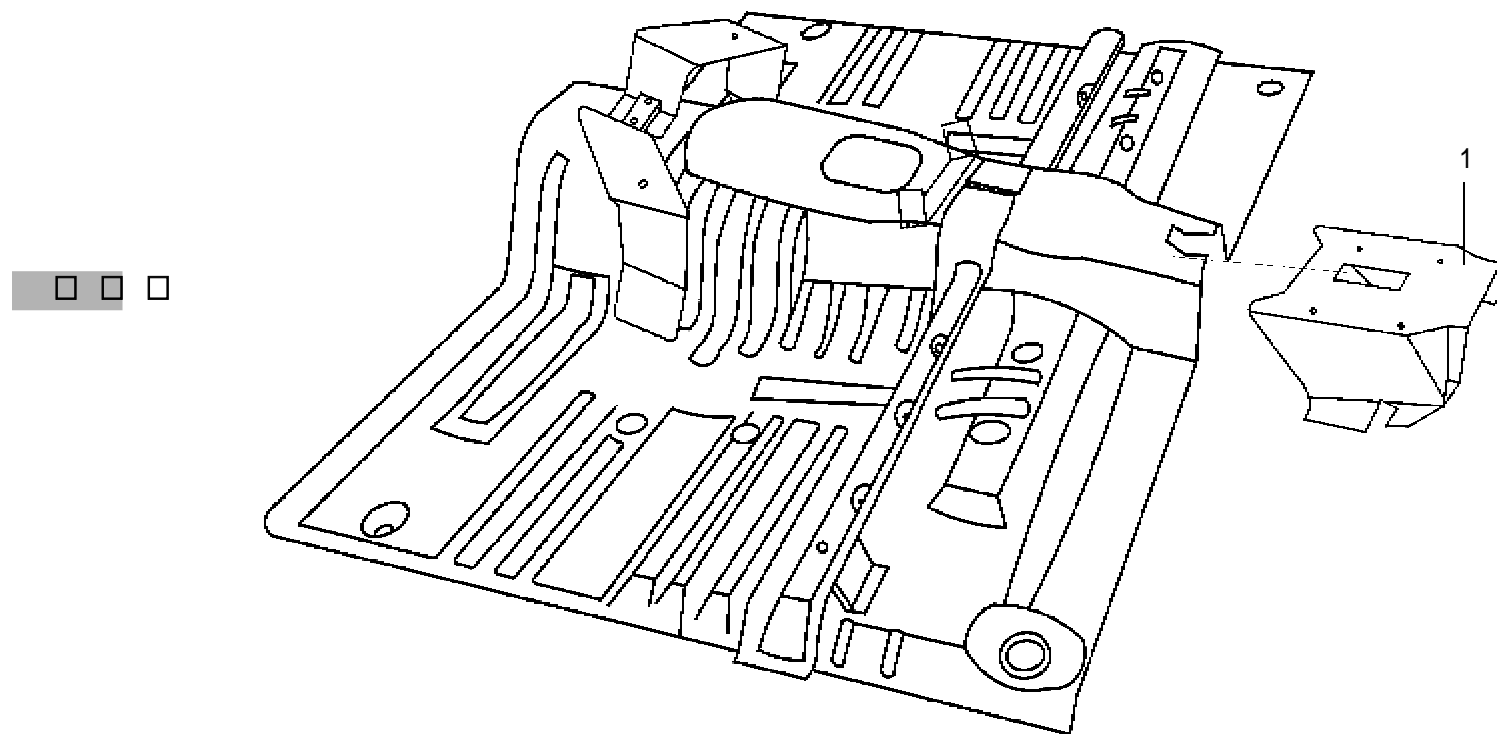


地板（一）——前地板 FLOOR (1)- FRONT FLOOR

序号 S/N	零部件代号 PART CODE	零部件名称 PART NAME	用量 QTY	适用车型 VEHICLE APPLICABLE TO	备注 REMARK
1	5120309-D01	前地板 FRONT FLOOR	1	D01 D02 D03 D04 D19 D22 D23 D24 D43 D44 D50 D65	
	5120309-D06	前地板 FRONT FLOOR		D06 D21	
2	5109011-D01-0110	双排成型地毯 CARPET (DOUBLE CAB, EXPORT,RED)	1	出口车专用	红色
	5109011-D01-0314	双排成型地毯 CARPET (DOUBLE CAB, LIGHT COFFEE)		D01 D02 D03 D50 D65	浅咖啡色
	5109011-D17-0314	双排成型地毯 CARPET (DOUBLE CAB, LIGHT COFFEE)		D17	浅咖啡色
	5109011-D07-0314	双排成型地毯 CARPET (DOUBLE CAB, LIGHT COFFEE)		D01 D02 D03 D50 D65	浅咖啡色
	5109011-D43-0311	地毯 CARPET (YELLOW)		D43	黄色
	5109011-D71-B1-0314	地毯 CARPET (LEVEL 2 LEARNER DRIVEN VEHICLE,LIGHT COFFEE)		D71	二级教练浅咖啡
	5109011-D73-B1-0314	地毯 CARPET (LEVEL 2 LEARNER DRIVEN VEHICLE,LIGHT COFFEE)		D73	二级教练浅咖啡
	5109011-D06-0314	地毯 CARPET (LIGHT COFFEE)		D06 D21	浅咖啡色
	5109011-D04-0314	地毯 CARPET (LIGHT COFFEE)	D04 D19	浅咖啡色	
3	5120011-D01	地板胶堵一 FLOOR RUBBER PLUG I	3	D01 D02 D03 D04 D06 D19 D21 D22 D23 D24 D43 D44 D46 D47 D48 D49 D50 D65	Φ51
4	5130031-D01	地板胶堵二 FLOOR RUBBER PLUG II	2		Φ36
5	5120013-D01	下门槛胶堵 ROCKER RUBBER PLUG	12		Φ15



地板（二）——前地板 FLOOR (2)- FRONT FLOOR



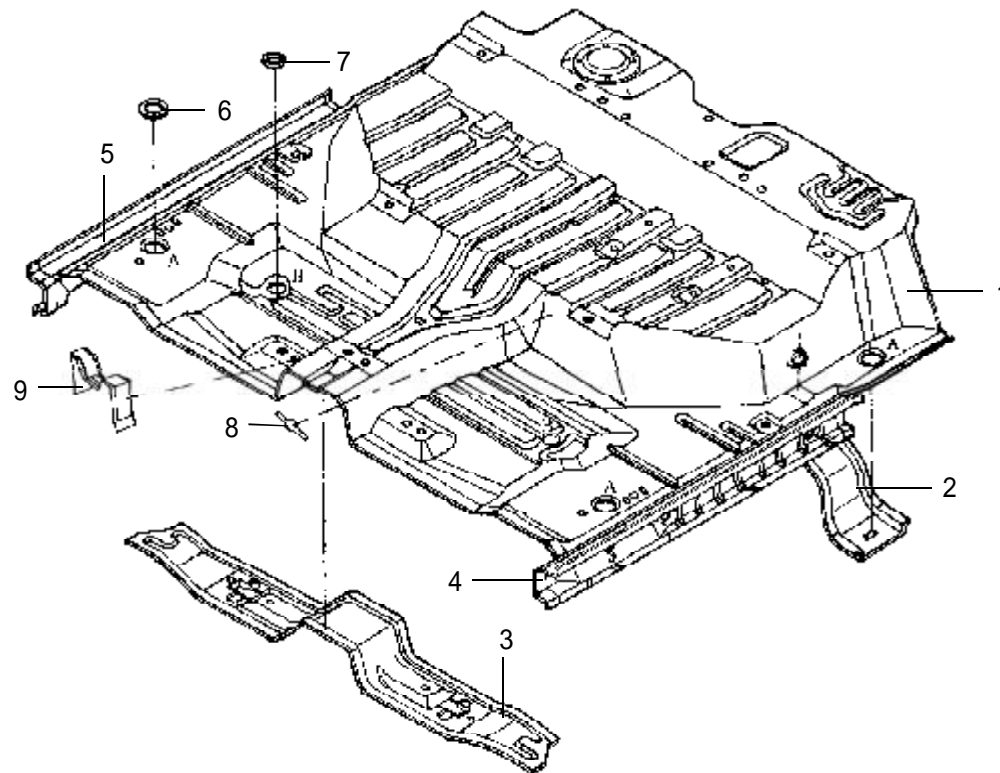
地板 (二) ——前地板 FLOOR (2)- FRONT FLOOR

序号 S/N	零部件代号 PART CODE	零部件名称 PART NAME	用量 QTY	适用车型 VEHICLE APPLICABLE TO	备注 REMARK
1	5120360-D07	驻车拉把固定座总成 FIXED SEAT ASSEMBLY,PARKING BRAKE HANDLE	1	D07	
	5120360-D05	驻车拉把固定座总成 FIXED SEAT ASSEMBLY,PARKING BRAKE HANDLE		D05	



每天进步一点点

地板（三）——后地板 FLOOR (3)- REAR FLOOR



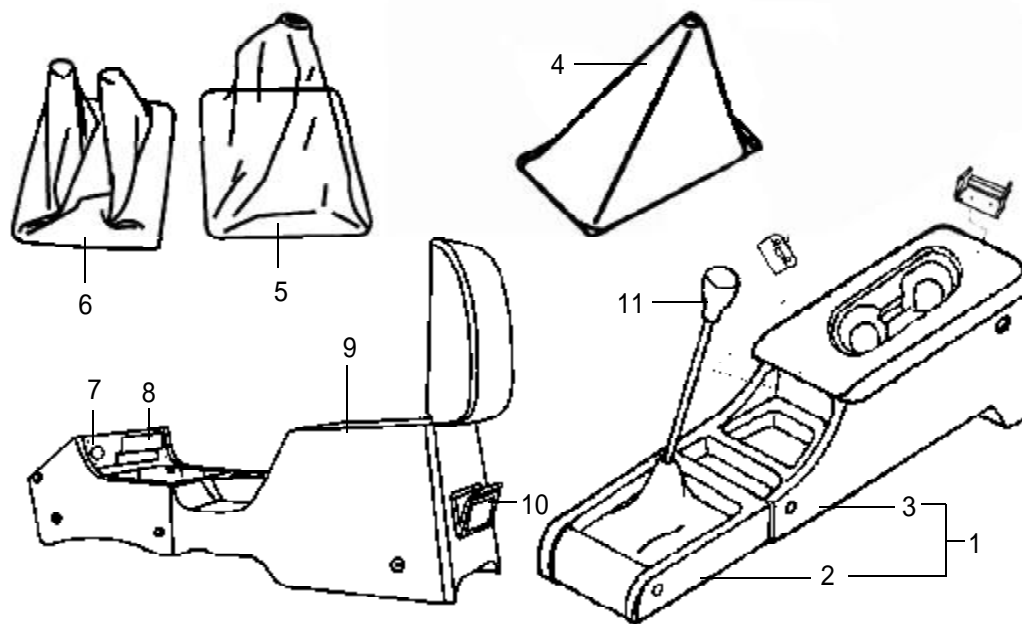
地板 (三) ——后地板 FLOOR (3)- REAR FLOOR

序号 S/N	零部件代号 PART CODE	零部件名称 PART NAME	用量 QTY	适用车型 VEHICLE APPLICABLE TO	备注 REMARK
1	5130033-D01	后地板 REAR FLOOR	1	D01 D02 D03 D23 D24 D43 D44 D45 D46 D50 D65	
	5130033-D07	后地板 REAR FLOOR (WITH HAND BRAKE HOLE)		D01 D02 D03 D07 D08 D50 D65	有手刹过孔
	5130033-D04	后地板 REAR FLOOR		D04 D19	
2	5130630-D01	后地板后加强横梁分总成 REAR REINFORCEMENT CROSS MEMBER,REAR FLOOR	1	D01 D02 D03 D22 D23 D24 D43 D44 D46 D47 D48 D49 D50 D65	
3	5130500-D01	后地板前加强横梁总成 FRONT REINFORCEMENT CROSS MEMBER ,REAR FLOOR	1		
4	5130015-D01	左后地板内侧板 SIDE MEMBER,REAR FLOOR,LH	1	D43 D44 D46	
5	5130016-D01	右后地板内侧板 SIDE MEMBER,REAR FLOOR,RH	1		
6	5120011-D01	地板胶堵一 FLOOR RUBBER PLUG I	6	D01 D02 D03 D06 D21 D22 D23 D24 D43 D44 D46 D47 D48 D49 D50 D65	Φ51
7	5130031-D01	地板胶堵二 FLOOR RUBBER PLUG II	6		Φ36
8	5120012-D01	手刹拉线卡子 CABLE CLIP	1		
9	51204106-D07	变速器装饰罩支架一 CONSOLE BRACKET I (MODEL 2004)	1	D01 D02 D03 D50 D65	2004 款



地板（四）——变速器装饰罩及配件

FLOOR (4)- FLOOR CONSOLE ASSEMBLY AND ACCESSORIES



地板 (四) —— 变速器装饰罩及配件
FLOOR (4)- FLOOR CONSOLE ASSEMBLY AND ACCESSORIES

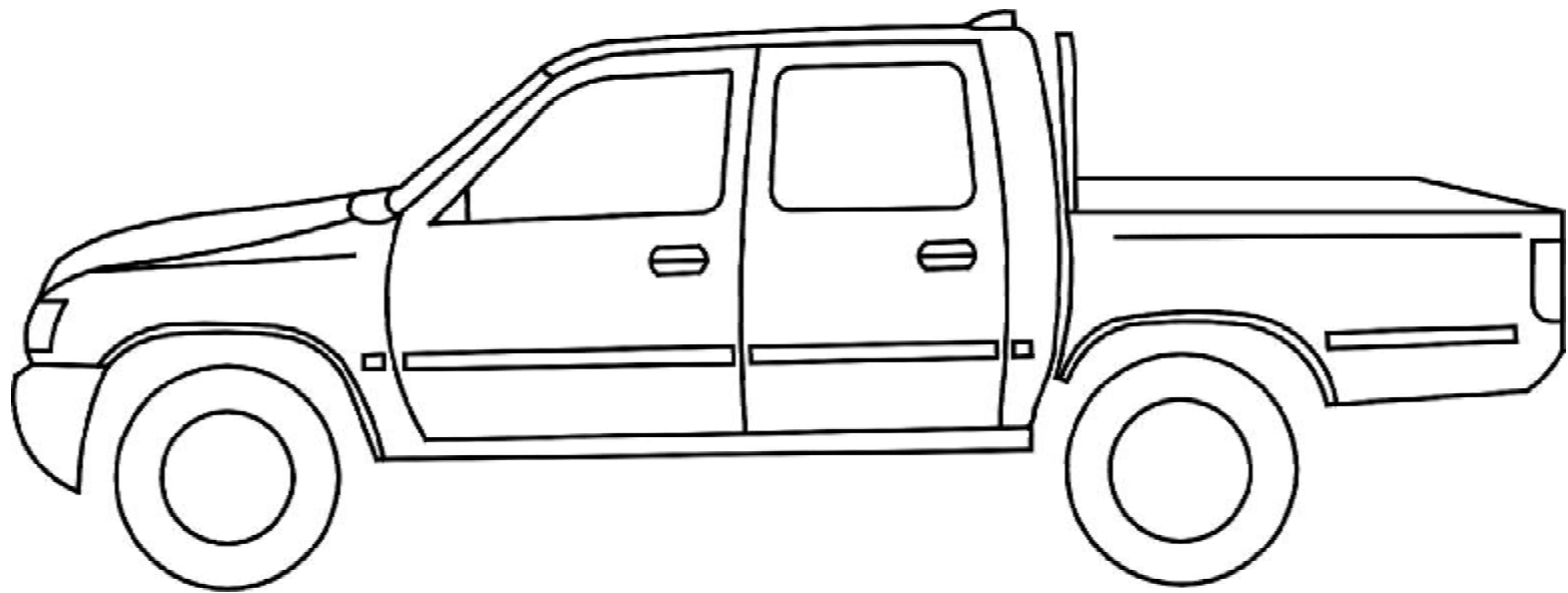
序号 S/N	零部件代号 PART CODE	零部件名称 PART NAME	用量 QTY	适用车型 VEHICLE APPLICABLE TO	备注 REMARK
1	5305010-D01-0314	变速器装饰罩总成 FLOOR CONSOLE ASSEMBLY (LIGHT COFFEE)	1	D01 D02 D03 D50 D65	浅咖啡色
	5305010-D62-0314	变速器装饰罩总成 FLOOR CONSOLE ASSEMBLY (ECONOMY ,LIGHT COFFEE)		D62 D63 D64	经济型浅咖啡色
	5305010-D01-0110	变速器装饰罩总成 FLOOR CONSOLE ASSEMBLY (EXPORT,RED)		出口车专用	红色
	5305014-D43-1207	变速器装饰罩烟灰缸 ASHTRAY, FLOOR CONSOLE (ECONOMY ,BLACK)		D62 D63 D64	经济型黑色
	5305014-D01	变速器装饰罩烟灰缸 ASHTRAY, FLOOR CONSOLE (MAHOGANY PATTERN PURPLISH RED)		D43 D45 D46	亚光桃木纹枣红色
2	5305011-D01-0110	变速器装饰罩前节 FRONT PART, FLOOR CONSOLE (EXPORT,RED)	1	出口车专用	红色
	5305011-D01-0314	变速器装饰罩前节 FRONT PART, FLOOR CONSOLE (LIGHT COFFEE)		D01 D02 D03 D04 D06 D19 D21 D50 D65	浅咖啡色
3	5305012-D01-0314	变速器装饰罩后节 REAR PART, FLOOR CONSOLE (LIGHT COFFEE)	1	D01 D02 D03 D04 D19 D50 D65	浅咖啡色
4	5305015-D01-0110	变速杆装饰罩 TRIM COVER,SHIFT LEVER (EXPORT,RED)	1	出口车专用	红色
	5305015-D01-0314	变速杆装饰罩 TRIM COVER,SHIFT LEVER (MODEL 2003, LIGHT COFFEE)		D01 D02 D03 D04 D06 D19 D21 D50 D65	2003 款浅咖啡色
5	5305014-D07-0803	变速杆装饰罩 TRIM COVER,SHIFT LEVER (BLACK)	1	D01 D02 D03 D07 D08 D50 D65	黑色
6	5305015-F00-0803	变速杆装饰罩 TRIM COVER,SHIFT LEVER (4WD,BLACK)	1	D07 D08	四驱黑色
	5305015-D07-0314	变速杆装饰罩 TRIM COVER,SHIFT LEVER (4WD,LIGHT COFFEE)			四驱浅咖啡色
7	5305019-D07-0803	仪表板烟灰缸面板堵盖 PLUG,ASHTRAY PANEL (BLACK)	1	D01 D02 D03 D07 D08 D50 D65	黑色



地板（四）——变速器装饰罩及配件
FLOOR (4)- FLOOR CONSOLE ASSEMBLY AND ACCESSORIES

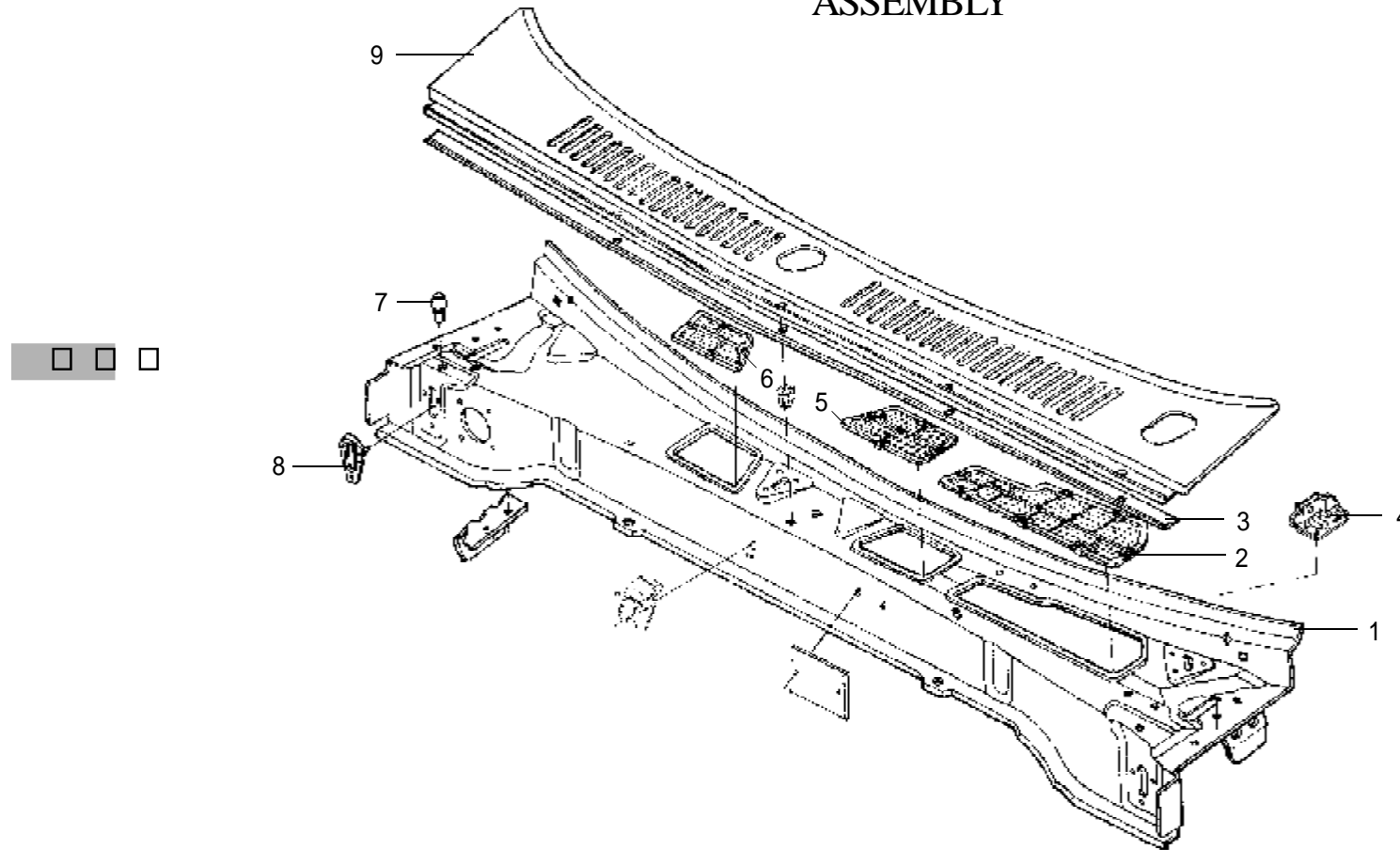
序号 S/N	零部件代号 PART CODE	零部件名称 PART NAME	用量 QTY	适用车型 VEHICLE APPLICABLE TO	备注 REMARK
8	5305013-D07-0803	变速器装饰罩前烟灰缸 FRONT ASHTRAY, FLOOR CONSOLE (BLACK)	1	D01 D02 D03 D07 D08 D50 D65	黑色
	5305018-D07-0803	仪表板烟灰缸面板 ASHTRAY PANEL (BLACK)	1		黑色
9	5305010-D07-0314	变速器装饰罩总成 FLOOR CONSOLE ASSEMBLY (LIGHT COFFEE)	1	D01 D02 D03 D07 D08 D50 D65	浅咖啡色
	5305010-D07-B1-0314	变速器装饰罩总成 FLOOR CONSOLE ASSEMBLY (ELECTRICALLY-CONTROLLED 4WD ,LIGHT COFFEE)		D07 D08	电控四驱浅咖啡
10	5305014-D07-0803	变速器装饰罩后烟灰缸 REAR ASHTRAY,FLOOR CONSOLE (BLACK)	1	D01 D02 D03 D07 D08 D50 D65	黑色
<input type="checkbox"/>	<input type="checkbox"/> 11	5305021-D01 变速杆手球 SHIFT LEVER BALL (MAHOGANY PATTERN PURPLISH RED)	1	D22 D23 D24	亚光桃木纹枣红色





前围（一）——前通风窗盖板及前围上部总成

FRONT WALL (1) – FRONT VENTILATION WINDOW PANEL AND FRONT WALL UPPER
ASSEMBLY

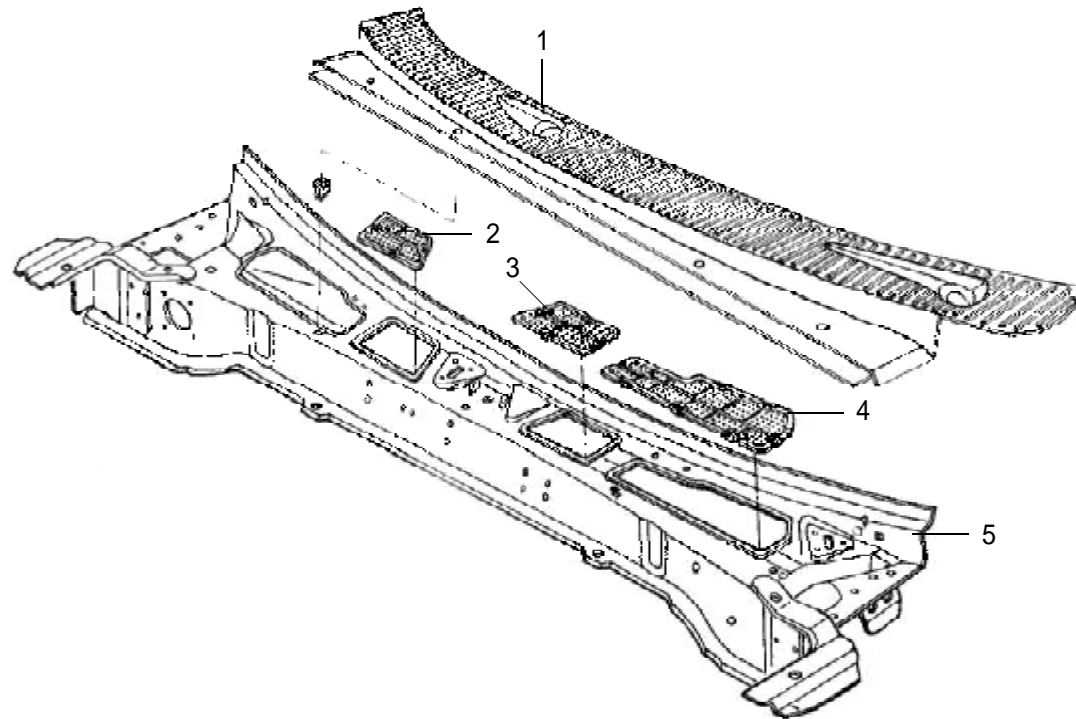


前围（一）——前通风窗盖板及前围上部总成
FRONT WALL (1) – FRONT VENTILATION WINDOW PANEL AND FRONT WALL UPPER ASSEMBLY

序号 S/N	零部件代号 PART CODE	零部件名称 PART NAME	用量 QTY	适用车型 VEHICLE APPLICABLE TO	备注 REMARK
1	5301100-D22	前围上部总成 UPPER PART ASSEMBLY, FRONT WALL	1	D22 D23 D24 D43 D44 D46 D47 D48 D49	
2	5301012-D01	左前通风网 FRONT VENTILATION SCREEN, LH	1	D01 D02 D03 D04 D06 D19 D21 D22 D23 D24 D43 D44 D45 D46 D47 D48 D49 D50 D65	
3	5301018-D22	通风窗盖板胶条 COWL TOP VENTILATOR LOUVER SEAL STRIP	1	D22 D23 D24 D43 D44 D46 D47 D48 D49	
4	8402050-D22	发动机罩左铰链支座总成 ENGINE HOOD HINGE SEAT ASSEMBLY, LH	1	D22 D23 D24 D43 D44 D46 D47 D48 D49	
	8402060-D22	发动机罩右铰链支座总成 ENGINE HOOD HINGE SEAT ASSEMBLY, RH	1		
5	5301013-D01	中前通风网 FRONT VENTILATION SCREEN, MIDDLE	1	D01 D02 D03 D04 D06 D19 D21 D22 D23 D24 D43 D44 D45 D46 D47 D48 D49 D50 D65	
6	5301014-D01	右前通风网 FRONT VENTILATION SCREEN, RH	1	D01 D02 D03 D22 D23 D24 D43 D44 D45 D46 D47 D48 D49	
7	8402019-D22	发动机罩后缓冲垫 REAR DAMPING BLOCK,ENGINE HOOD	2	D01 D02 D03 D22 D23 D24 D43 D44 D45 D46 D47 D48 D49	
8	8402074-D22	发动机罩合页密封垫 SEAL WASHER,ENGINE HINGE	2		
9	5301200-D22	前通风窗盖板 COWL TOP VENTILATOR LOUVER (PLASTIC)	1	D22 D23 D24 D25 D26 D27 D28 D29 D30 D31 D32 D33 D34 D35 D36 D37 D38 D39 D40 D41 D42	塑料



前围（二）——前通风窗盖板及前围上部总成
FRONT WALL (2) – FRONT VENTILATION WINDOW PANEL AND FRONT WALL UPPER
ASSEMBLY

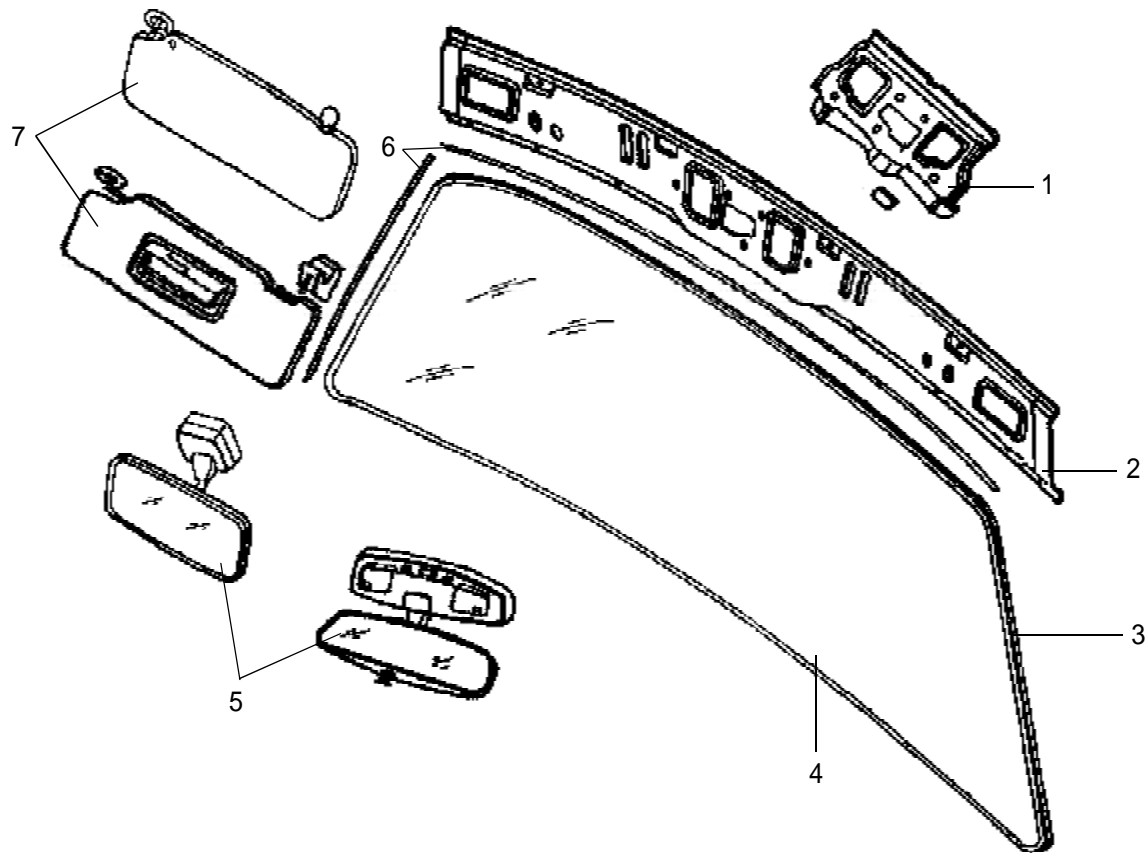



前围 (二) ——前通风窗盖板及前围上部总成
 FRONT WALL (2) – FRONT VENTILATION WINDOW PANEL AND FRONT WALL UPPER
 ASSEMBLY

序号 S/N	零部件代号 PART CODE	零部件名称 PART NAME	用量 QTY	适用车型 VEHICLE APPLICABLE TO	备注 REMARK
1	5301200-D01	通风盖板总成 COWL TOP VENTILATOR LOUVER	1	D01 D02 D03 D04 D06 D07 D08 D16 D17 D18 D19 D21 D50 D65 D66	
2	5301014-D01	右前通风网 FRONT VENTILATION SCREEN, RH	1	D01 D02 D03 D04 D06 D19 D21 D22 D23 D24 D43 D44 D45 D46 D47 D48 D49 D50 D65	
3	5301013-D01	中前通风网 FRONT VENTILATION SCREEN, MIDDLE	1		
4	5301012-D01	左前通风网 FRONT VENTILATION SCREEN, LH	1		
5	5301100-D01	前围上部总成 UPPER PART ASSEMBLY, FRONT WALL	1	D01 D02 D03 D04 D06 D19 D21 D50 D65	



前风窗及附件 FRONT WINDSHIELD AND ACCESSORIES



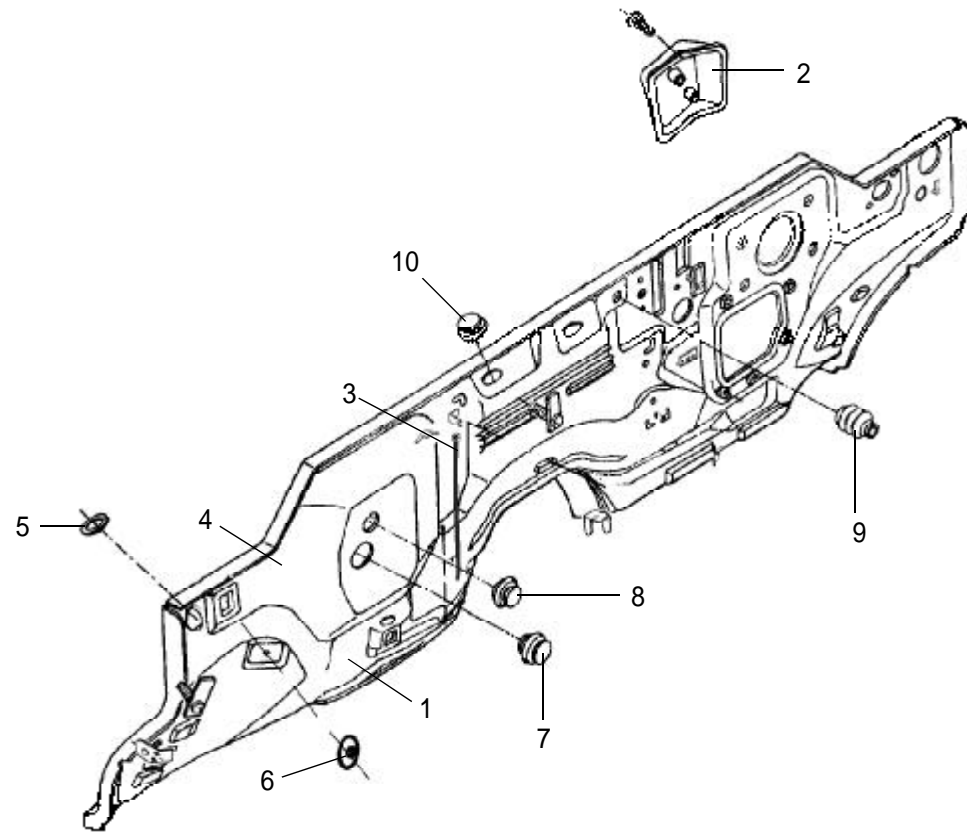
 每天进步一点点

前风窗及附件 FRONT WINDSHIELD AND ACCESSORIES

序号 S/N	零部件代号 PART CODE	零部件名称 PART NAME	用量 QTY	适用车型 VEHICLE APPLICABLE TO	备注 REMARK
1	5701120-D01	顶盖前横梁加强板总成 REINFORCEMENT PANEL ASSEMBLY,FRONT ROOF BOW	1	D01 D02 D03 D04 D06 D19 D21 D22 D23 D24 D43 D44 D46 D47 D48 D49	
2	5701100-D01	顶盖前横梁总成 FRONT ROOF BOW ASSEMBLY	1	D50 D65 D66	
3	5206012-D62	前风窗密封条 SEALING STRIPS,WINDSHIELD (WITHOUT SHINING RIBBON INSTALLATION SLOT)	1	D04 D06 D19 D21 D43 D44 D46 D48 D49 D62 D63 D64	无亮条安装槽
	5206012-D01	前风窗密封条 SEALING STRIPS,WINDSHIELD		D01 D02 D03 D04 D06 D19 D21 D22 D23 D24 D45 D46 D48 D49 D50 D65 D66	
4	5206011-D01	前风窗玻璃 FRONT WINDSHIELD	1	D01 D02 D03 D04 D06 D16 D17 D18 D19 D21 D22 D23 D24 D37 D38 D45 D46 D48 D49 D50 D65 D66	
	5206011-D01-B1	前风窗玻璃 FRONT WINDSHIELD (WITH ANTENNA)		D01 D02 D03 D04 D06 D07 D08 D19 D21 D50 D65 D66	带天线
	5206011-D04	前风窗玻璃 FRONT WINDSHIELD		D04 D06 D19 D21D47 D48 D49	
	5206011-D04-B1	前风窗玻璃 FRONT WINDSHIELD (WITH ANTENNA)		D04 D06	带天线
5	8201011-D01-0110	内后视镜 INTERIOR REAR VIEW MIRROR (RED)		D04 D06 D19 D21 D43 D44 D46	红色
	8201011-D01-0310	内后视镜 INTERIOR REAR VIEW MIRROR (CREAM COLORED)		D01 D02 D03 D04 D06 D19 D21 D50 D65 D66	米黄色
	8201011-D62-0310	内后视镜 INTERIOR REAR VIEW MIRROR (ECONOMY, CREAM COLORED)		D04 D06 D19 D21 D62 D63 D64	经济型米黄色
6	5206013-D01	前风窗密封条亮条 SHINING RIBBON,FRONT WINDSHIELD SEALING STRIPS	1	D01 D02 D03 D04 D06 D16 D17 D18 D19 D21 D22 D23 D24 D37 D38 D45 D46 D48 D49 D50 D65 D66	
7	8204011-D01-0110	左遮阳板 SUN VISOR,LH (RED)	1	D04 D06 D19 D21 D43	红色
	8204011-D01-0310	左遮阳板 SUN VISOR,LH (CREAM COLORED)		D01 D02 D03 D04 D06 D19 D21 D50 D65 D66	米黄色
	8204012-D01-0110	右遮阳板 SUN VISOR,RH (RED)	1	D04 D06 D19 D21 D43	红色
	8204012-D01-0310	右遮阳板 SUN VISOR,RH (CREAM COLORED)		D01 D02 D03 D04 D06 D19 D21 D50	米黄色



前围挡板总成 FRONT WALL ASSEMBLY

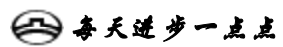
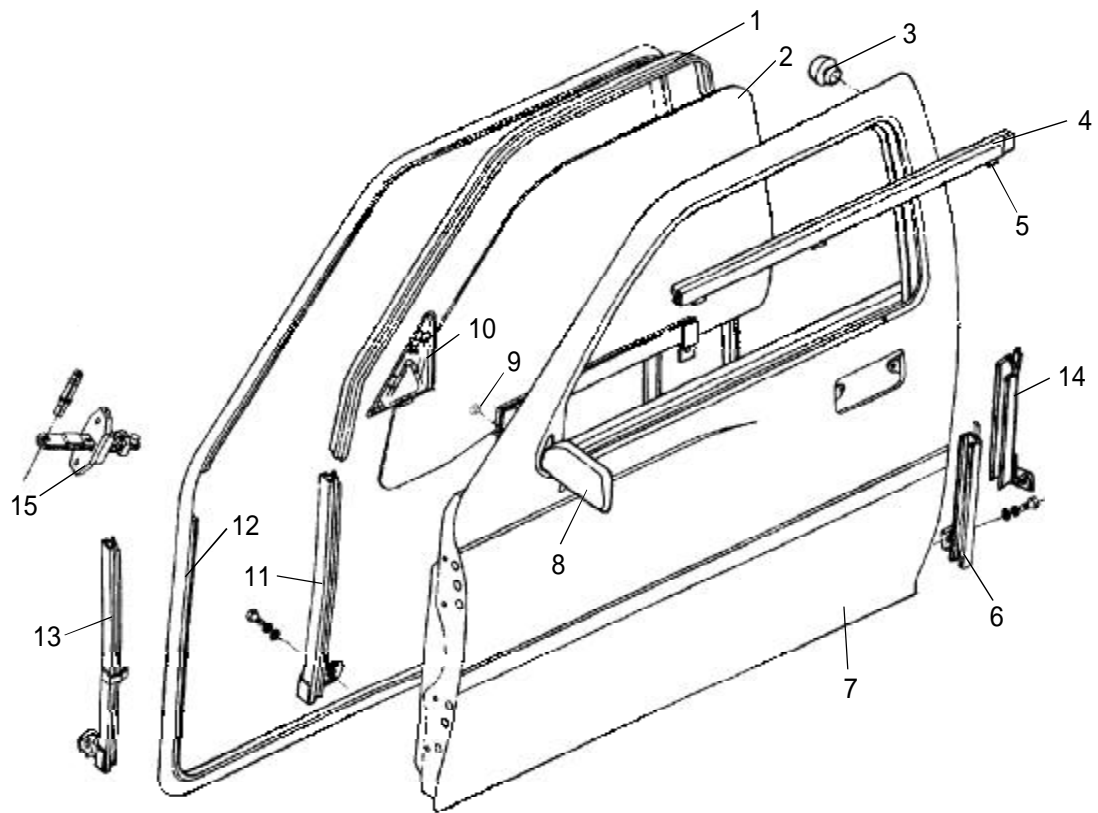


前围挡板总成 FRONT WALL ASSEMBLY

序号 S/N	零部件代号 PART CODE	零部件名称 PART NAME	用量 QTY	适用车型 VEHICLE APPLICABLE TO	备注 REMARK
1	8400100-D01	前围挡板总成 FRONT WALL ASSEMBLY	1	D01 D02 D03 D04 D06 D19 D21 D22 D23 D24 D43 D44 D45 D46 D47 D48 D49 D66	
	8400100-D07	前围挡板总成 FRONT WALL ASSEMBLY			
	8400100-F04	前围挡板总成 FRONT WALL ASSEMBLY	1	D50 D65	
2	5109012-D01	脚踏块 FOOT REST	1	D01 D02 D03 D04 D06 D19 D21 D22 D23 D24 D43 D44 D45 D46 D47 D48 D49	
3	4001200-D01	发动机搭铁线总成 ENGINE GROUND WIRE ASSEMBLY	1	D01 D02 D03 D04 D06 D19 D21 D22 D23 D24 D43 D44 D45 D46 D47 D48 D49	
4	5310011-D01	前围隔热层 HEAT INSULATOR,FRONT WALL	1	D01 D02 D03 D04 D06 D19 D21 D22 D23 D24 D43 D44 D45 D46 D47 D48 D49 D50 D65	
	5301125-D22	前围阻风门胶堵 FRONT WALL AIR STRANGLER RUBBER PLUG	1	D16 D17 D18 D19 D21 D66	
	5310011-D17	外前围隔热层 HEAT INSULATOR,OUTER FRONT WALL	1	D01 D02 D03 D22 D23 D24 D43 D44 D45 D46 D47 D48 D49	
5	8400033-D01	前围过线胶堵 RUBBER PLUG	1	D16 D17 D18 D19 D21 D66	
6	5310012-D17	外前围隔热层塑料扣 CLIP, HEAT INSULATOR,OUTER FRONT WALL	1	迪尔系列	
7	8100101-D01	空调管大胶堵 BIG RUBBER PLUG,AIR CONDITIONING LINE (DEER SERIES)	1	迪尔系列	
8	8100102-D01	空调管小胶堵 SMALL RUBBER PLUG,AIR CONDITIONING LINE (DEER SERIES)	1	迪尔系列	
9	8400031-D01	前围挡板阻风门胶堵 RUBBER PLUG (DEER SERIES)	1	迪尔系列	
10	8400029-F00	热水开关操纵线胶堵 RUBBER PLUG (DEER SERIES)	1	迪尔系列	



左前侧面车门总成 LEFT FRONT DOOR ASSEMBLY



左前侧面车门总成 LEFT FRONT DOOR ASSEMBLY

序号 S/N	零部件代号 PART CODE	零部件名称 PART NAME	用量 QTY	适用车型 VEHICLE APPLICABLE TO	备注 REMARK
1	6107301-D01	左前侧面车门玻璃呢槽 FRONT DOOR GLASS RUN CHANNEL,LH	1	D01 D02 D03 D04 D16 D17 D18 D22 D23 D24 D37 D38 D43 D44 D45 D46 D50 D65	
	6107301-D04	左前侧面车门玻璃呢槽 FRONT DOOR GLASS RUN CHANNEL, LH		D04 D06 D19 D21 D25 D40 D47 D48 D49	
2	6103011-D01	左前侧面车门玻璃 FRONT DOOR GLASS,LH	1	D01 D02 D03 D04 D16 D17 D18 D22 D23 D24 D37 D38 D43 D44 D45 D46 D50 D65	
	6103011-D04	左前侧面车门玻璃 FRONT DOOR GLASS,LH		D04 D06 D19 D21 D25 D40 D47 D48 D49	
3	6101011-D01	车门缓冲块 DOOR DAMPING RUBBER BLOCK	1	D01 D02 D03 D04 D16 D17 D18 D22 D23 D24 D37 D38 D43 D44 D45 D46 D50 D65	
4	6107501-D01	左前侧面车门外水切 FRONT DOOR EXTERIOR WEATHERSTRIP, LH	1	D01 D02 D03 D04 D16 D17 D18 D22 D23 D24 D37 D38 D43 D44 D45 D46 D50 D65	
	6107501-D04	左前侧面车门外水切 FRONT DOOR EXTERIOR WEATHERSTRIP, LH		D04 D06 D19 D21 D25 D40 D47 D48 D49	
5	6107503-D01	外水切卡子 CLIP,EXTERIOR WEATHESTRIIP	5	D01 D02 D03 D04 D06 D16 D17 D18 D19 D21 D22 D23 D24 D37 D38 D43 D44 D45 D46 D50 D65	
6	6101400-D01	左前侧面车门玻璃下导轨后段总成 REAR SECTION,FRONT DOOR LOWER GLASS RUN RAIL,LH	1	D01 D02 D03 D22 D23 D24 D43 D44 D45 D46 D50 D65	
7	6101100-D01	左前侧面车门总成 FRONT DOOR ASSEMBLY,LH	1	D01 D02 D03 D16 D17 D22 D23 D47 D50 D65	
	6101100-D06	左前侧面车门总成 FRONT DOOR ASSEMBLY,LH		D04 D19 D25 D40 D47 D48 D49	
8	8202101-D01	左外后视镜 EXTERIOR REARVIEW MIRROR,LH (MODEL 2003, ELECTROPLATE,MANUAL)	1	D01 D02 D03 D04 D06 D19 D21 D50 D65 D66	03 款,电镀,手动
	8202101-D01-B1	左外后视镜 EXTERIOR REARVIEW MIRROR,LH (EXPORT, MODEL 2003,WITH ARAB, ELECTROPLATE,MANUAL)		出口车专用	03 款,电镀,手动,带阿拉伯文



左前侧面车门总成 LEFT FRONT DOOR ASSEMBLY


序号 S/N	零部件代号 PART CODE	零部件名称 PART NAME	用量 QTY	适用车型 VEHICLE APPLICABLE TO	备注 REMARK
8	8202101-D07	左外后视镜 EXTERIOR REARVIEW MIRROR,LH (MODEL 2003,ELECTROPLATE,POWER)	1	D01 D02 D03 D07 D08 D50 D65 D66	03 款,电镀,电动
	8202101-D07-B1	左外后视镜 EXTERIOR REARVIEW MIRROR,LH (MODEL 03,ELECTROPLATE,POWER,WITH DEFROSTER)			03 款电镀,电动,带除霜功能
	8202101-D07-C1	左外后视镜 EXTERIOR REARVIEW MIRROR,LH (MODEL 03,ELECTROPLATE,POWER,WITH ARAB)			03 款,电镀,电动,带阿拉伯文
	8202101-D22	左外后视镜 EXTERIOR REARVIEW MIRROR,LH (MODEL 02,ELECTROPLATE,MANUAL)		D22 D23 D25 D43 D44	02 款,电镀,手动
	8202101-D22-B1	左外后视镜 EXTERIOR REARVIEW MIRROR,LH (MODEL 02,ELECTROPLATE,POWER)		D22 D23 D25 D43 D44	02 款,电镀,电动
	8202101-D22-C1	左外后视镜 EXTERIOR REARVIEW MIRROR,LH (MODEL 02,MANUAL,WITHOUT FINISH PAINT)		D22 D23 D25 D43 D44	02 款,手动,白皮
	8202101-D22-D1	左外后视镜 EXTERIOR REARVIEW MIRROR,LH (MODEL 02,POWER,WITHOUT FINISH PAINT)		D22 D23 D25 D43 D44	02 款,电动,白皮
	8202101-D62	左外后视镜 EXTERIOR REARVIEW MIRROR,LH (ECONOMY,ELECTROPLATE,MANUAL)		D62 D63 D64	经济型,电镀,手动
9	8202011-D01	三角内饰板固定卡扣 CLIP,TRIM PANEL,DOOR TRIANGULAR WINDOW	1	D01 D02 D03 D04 D06 D19 D21 D22 D23 D24 D43 D44 D46 D47 D48 D49 D50 D65 D66	
10	8202201-D01-0314	左外后视镜三角板 TRIANGLE PLATE,EXTERIOR REAR VIEW MIRROR,LH (LIGHT COFFEE)	1	D01 D02 D03 D50 D65 D66	浅咖啡色
	8202201-D01-0110	左外后视镜三角板 TRIANGLE PLATE,EXTERIOR REAR VIEW MIRROR,LH (RED)		D43 D44	红色
11	6101300-D01	左前侧面车门下导轨前段总成 FRONT DOOR GLASS RUN RAIL FRONT SEGMENT, LH	1	D01 D02 D03 D16 D17 D18 D22 D23 D24 D37 D38 D39 D43 D44	
12	6107201-D01	左前侧面车门密封条 FRONT DOOR SEALING STRIPS,LH	1	D45 D46 D50 D65	
	6107201-D04	左前侧面车门密封条 FRONT DOOR SEALING STRIPS,LH		D04 D06 D19 D21 D25 D40 D47 D48 D49	



左前侧面车门总成 LEFT FRONT DOOR ASSEMBLY

序号 S/N	零部件代号 PART CODE	零部件名称 PART NAME	用量 QTY	适用车型 VEHICLE APPLICABLE TO	备注 REMARK
13	6101310-D06	左前侧面车门玻璃下导轨前段总成 FRONT SECTION,FRONT DOOR LOWER GLASS RUN RAIL,LH	1	D04 D06 D19 D21 D47 D48 D49	
14	6101330-D06	左前侧面车门玻璃下导轨后段总成 REAR SECTION,FRONT DOOR LOWER GLASS RUN RAIL,LH	1		
15	6109100-D01	前侧面车门限位器总成 FRONT DOOR CHECK STOP ASSEMBLY	1	D01 D02 D03 D22 D23 D24 D43 D44 D46 D47 D48 D49 D50 D65	
	6109100-D06	前侧面车门限位器总成 FRONT DOOR CHECK STOP ASSEMBLY		D04 D06 D19 D21	



 每天进步一点点

右前侧面车门总成 RIGHT FRONT DOOR ASSEMBLY

序号 S/N	零部件代号 PART CODE	零部件名称 PART NAME	用量 QTY	适用车型 VEHICLE APPLICABLE TO	备注 REMARK
1	6107302-D01	右前侧面车门玻璃呢槽 FRONT DOOR GLASS RUN CHANNEL,RH	1	D01 D02 D03 D16 D17 D18 D22 D23 D24 D37 D38 D39 D43 D44 D45 D46 D50 D65	
	6107302-D04	右前侧面车门玻璃呢槽 FRONT DOOR GLASS RUN CHANNEL,RH		D04 D06 D19 D21 D25 D40 D47 D48 D49	
2	6103012-D01	右前侧面车门玻璃 FRONT DOOR GLASS,RH	1	D01 D02 D03 D16 D17 D18 D22 D23 D24 D37 D38 D39 D43 D44	
	6103012-D04	右前侧面车门玻璃 FRONT DOOR GLASS,RH		D04 D06 D19 D21 D25 D40 D47 D48 D49	
3	6101011-D01	车门缓冲块 DOOR DAMPING RUBBER BLOCK	1	D01 D02 D03 D16 D17 D18 D22	
4	6107502-D01	右前侧面车门外水切 FRONT DOOR EXTERIOR WEATHERSTRIP, RH	1	D23 D24 D37 D38 D39 D43 D44 D45 D46 D50 D65	
	6107502-D04	右前侧面车门外水切 FRONT DOOR EXTERIOR WEATHERSTRIP, RH		D04 D06 D19 D21 D25 D40 D47 D48 D49	
5	6107503-D01	外水切卡子 CLIP,EXTERIOR WEATHESTRIP	6	D01 D02 D03 D04 D06 D19 D21 D22 D23 D24 D43 D44 D46 D47 D48 D49 D50 D65	
6	6101600-D01	右前侧面车门玻璃下导轨后段总成 REAR SECTION,FRONT DOOR LOWER GLASS RUN RAIL,RH	1	D01 D02 D03 D16 D17 D18 D22 D23 D24 D37 D38 D39 D43 D44 D45 D46 D50 D65	
7	6101200-D01	右前侧面车门总成 FRONT DOOR ASSEMBLY,RH	1	D01 D02 D03 D16 D17 D22 D23 D47 D50 D65	
	6101200-D06	右前侧面车门总成 FRONT DOOR ASSEMBLY,RH		D04 D05 D06 D47 D48 D49	
8	8202102-D01	右外后视镜 EXTERIOR REARVIEW MIRROR,RH (MODEL 2003, ELECTROPLATE, MANUAL)	1	D01 D02 D03 D04 D06 D19 D21 D50 D65 D66	03款,电镀,手动
	8202102-D01-B1	右外后视镜 EXTERIOR REARVIEW MIRROR,RH (EXPORT, MODEL 2003, ELECTROPLATE, MANUAL, WITH ARAB)		出口车专用	03款,电镀,手动,带阿拉伯文

右前侧面车门总成 RIGHT FRONT DOOR ASSEMBLY

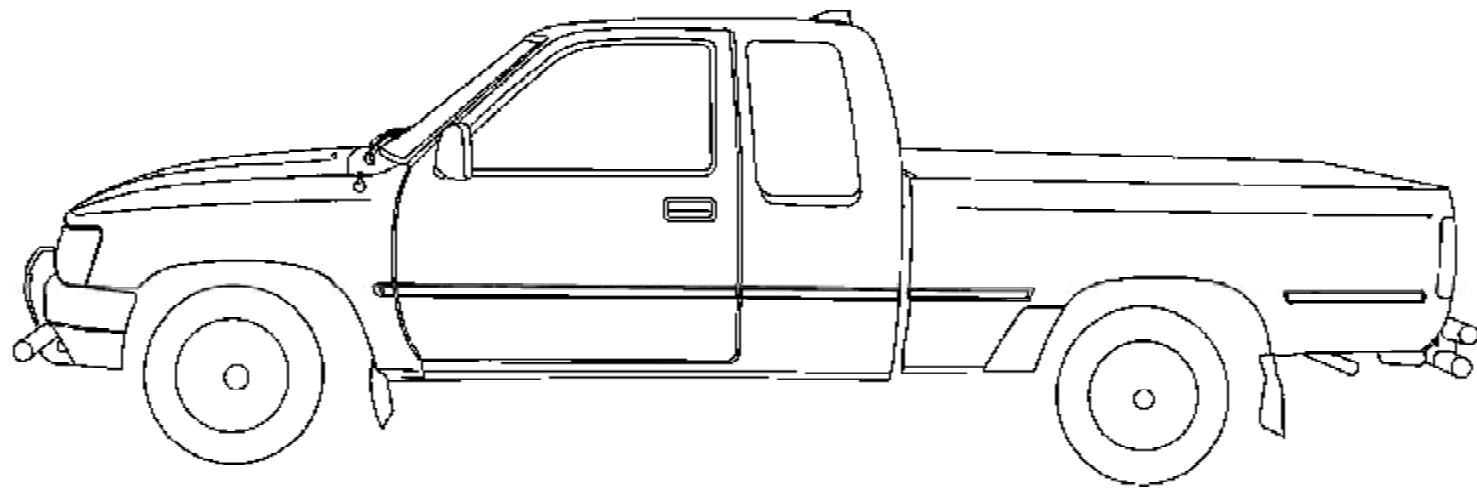
序号 S/N	零部件代号 PART CODE	零部件名称 PART NAME	用量 QTY	适用车型 VEHICLE APPLICABLE TO	备注 REMARK
8	8202102-D07	右外后视镜 EXTERIOR REARVIEW MIRROR,RH (MODEL 03, ELECTROPLATE, POWER)	1	D01 D02 D03 D07 D08 D50 D65 D66	03 款,电镀,电动
	8202102-D07-B1	右外后视镜 EXTERIOR REARVIEW MIRROR,RH (MODEL 03,ELECTROPLATE,POWER,WITH DEFROSTER)			03 款电镀,电动,带除霜功能
	8202102-D07-C1	右外后视镜 EXTERIOR REARVIEW MIRROR,RH (MODEL 03,ELECTROPLATE,POWER,WITH ARAB)			03 款,电镀,电动,带阿拉伯文
	8202102-D22	右外后视镜 EXTERIOR REARVIEW MIRROR,RH (MODEL 02,ELECTROPLATE,MANUAL)		D22 D23 D25 D43 D44	02 款,电镀,手动
	8202102-D22-B1	右外后视镜 EXTERIOR REARVIEW MIRROR,RH (MODEL 02,ELECTROPLATE,POWER)		D22 D23 D25 D43 D44	02 款,电镀,电动
	8202102-D22-C1	右外后视镜 EXTERIOR REARVIEW MIRROR,RH (MODEL 02,MANUAL,WITHOUT FINISH PAINT)		D22 D23 D25 D43 D44	02 款,手动,白皮
	8202102-D22-D1	右外后视镜 EXTERIOR REARVIEW MIRROR,RH (MODEL 02,POWER,WITHOUT FINISH PAINT)		D22 D23 D25 D43 D44	02 款,电动,白皮
	8202102-D62	右外后视镜 EXTERIOR REARVIEW MIRROR,RH (ECONOMY,ELECTROPLATE,MANUAL)		D62 D63 D64	经济型,电镀,手动
9	8202011-D01	三角内饰板固定卡扣 CLIP,TRIM PANEL,DOOR TRIANGULAR WINDOW	1	D01 D02 D03 D04 D06 D19 D21 D22 D23 D24 D43 D44 D46 D47 D48 D49 D50 D65 D66	
10	8202202-D01-0314	右外后视镜三角板 TRIANGLE PLATE,EXTERIOR REAR VIEW MIRROR,RH (LIGHT COFFEE)	1	D01 D02 D03 D50 D65 D66	浅咖啡色
	8202202-D01-0110	右外后视镜三角板 TRIANGLE PLATE,EXTERIOR REAR VIEW MIRROR,RH (RED)		D43 D44	红色
11	6101500-D01	右前侧面车门玻璃下导轨前段总成 FRONT SECTION,FRONT DOOR LOWER GLASS RUN RAIL,RH	1	D01 D02 D03 D16 D17 D18 D22 D23 D24 D37 D38 D39 D43 D44	
12	6107202-D01	右前侧面车门密封条 FRONT DOOR SEALING STRIPS,RH	1	D45 D46 D50 D65	
	6107202-D04	右前侧面车门密封条 FRONT DOOR SEALING STRIPS,RH		D04 D06 D19 D21 D25 D40 D47 D48 D49	



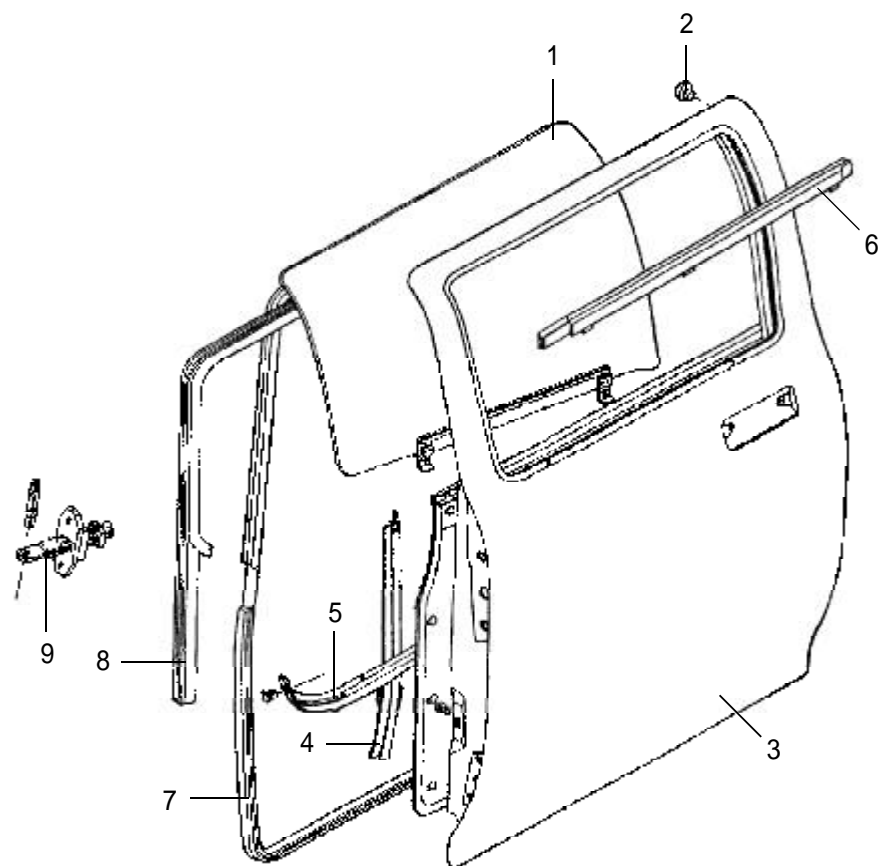
右前侧面车门总成 RIGHT FRONT DOOR ASSEMBLY

序号 S/N	零部件代号 PART CODE	零部件名称 PART NAME	用量 QTY	适用车型 VEHICLE APPLICABLE TO	备注 REMARK
13	6101320-D06	右前侧面车门玻璃下导轨前段 FRONT DOOR GLASS RUN RAIL FRONT SEGMENT, LH	1	D04 D06 D19 D21 D47 D48 D49	
14	6101340-D06	右前侧面车门玻璃下导轨后段 FRONT DOOR GLASS RUN RAIL REAR SEGMENT, RH	1		
15	6109100-D01	前侧面车门限位器总成 FRONT DOOR CHECK STOP ASSEMBLY	1	D01 D02 D03 D22 D23 D24 D43 D44 D46 D47 D48 D49 D50 D65	
	6109100-D06	前侧面车门限位器总成 FRONT DOOR CHECK STOP ASSEMBLY		D04 D06 D19 D21	





左后侧面车门总成 LEFT REAR DOOR ASSEMBLY



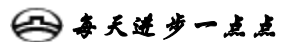
左后侧面车门总成 LEFT REAR DOOR ASSEMBLY

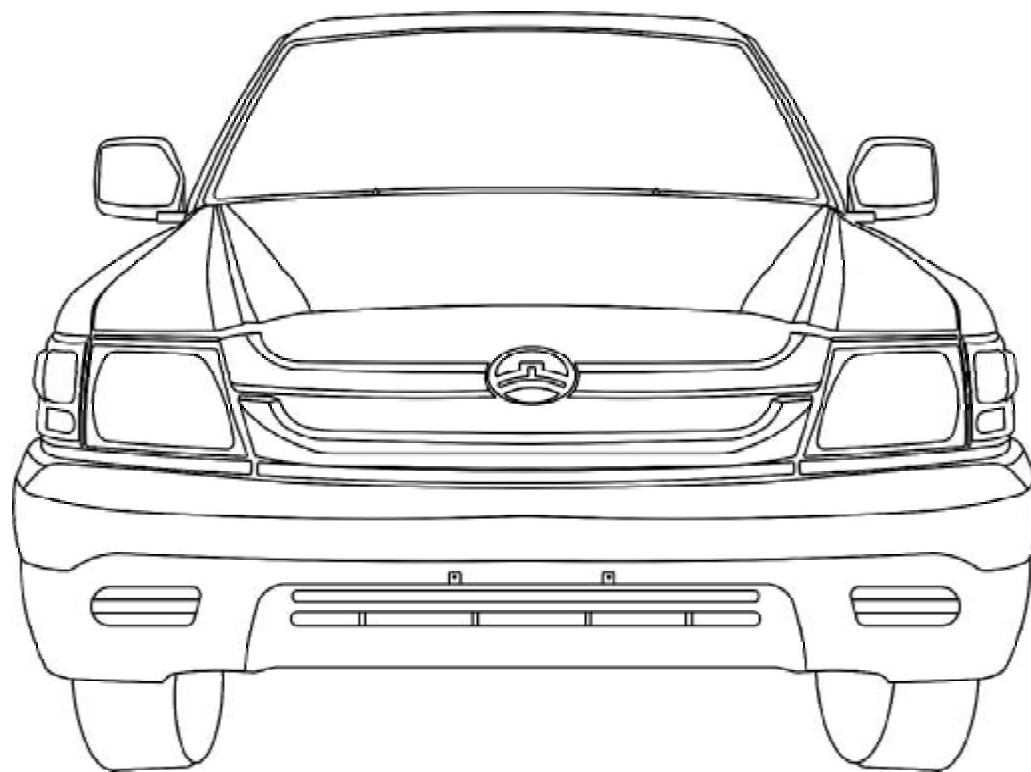
序号 S/N	零部件代号 PART CODE	零部件名称 PART NAME	用量 QTY	适用车型 VEHICLE APPLICABLE TO	备注 REMARK
1	6203011-D01	左后侧面车门玻璃 REAR DOOR GLASS,LH	1	D01 D02 D03 D16 D17 D18 D22 D23 D24 D37 D38 D39 D43 D44 D45 D46 D50 D65	
2	6101011-D01	车门缓冲块 DOOR DAMPING RUBBER BLOCK	2	D01 D02 D03 D04 D06 D07 D08 D22 D23 D24 D25 D27 D43 D44 D45 D46 D47 D48 D49 D50 D65 D66	
3	6201100-D01	左后侧面车门总成 REAR DOOR ASSEMBLY,LH	1	D01 D02 D03 D16 D17 D18 D22 D23 D24 D37 D38 D39 D43 D44 D45 D46 D50 D65	
4	6201300-D01	左后侧面车门玻璃下导轨总成 REAR DOOR GLASS RUN RAIL ASSEMBLY,LH	1	D01 D02 D03 D16 D17 D18 D22 D23 D24 D37 D38 D39 D43 D44 D45 D46 D50 D65	
5	6207101-D01	左后侧面车门下防尘胶条 REAR DOOR LOWER DUSTPROOF STRIP,LH	1		
6	6207500-D01	后侧面车门外水切总成 EXTERIOR WEATHERSTRIP ASSEMBLY,REAR DOOR	1		
7	6207201-D01	左后侧面车门密封条 REAR DOOR SEALING STRIPS,LH	1		
8	6207301-D01	左后侧面车门玻璃呢槽 REAR DOOR GLASS RUN CHANNEL,LH	1		
9	6209100-D01	后侧面车门限位器总成 REAR DOOR CHECK STOP ASSEMBLY	1	D01 D02 D03 D16 D17 D18 D22 D23 D24 D37 D38 D39 D43 D44 D45 D46 D50 D65	



右后侧面车门总成 RIGHT REAR DOOR ASSEMBLY

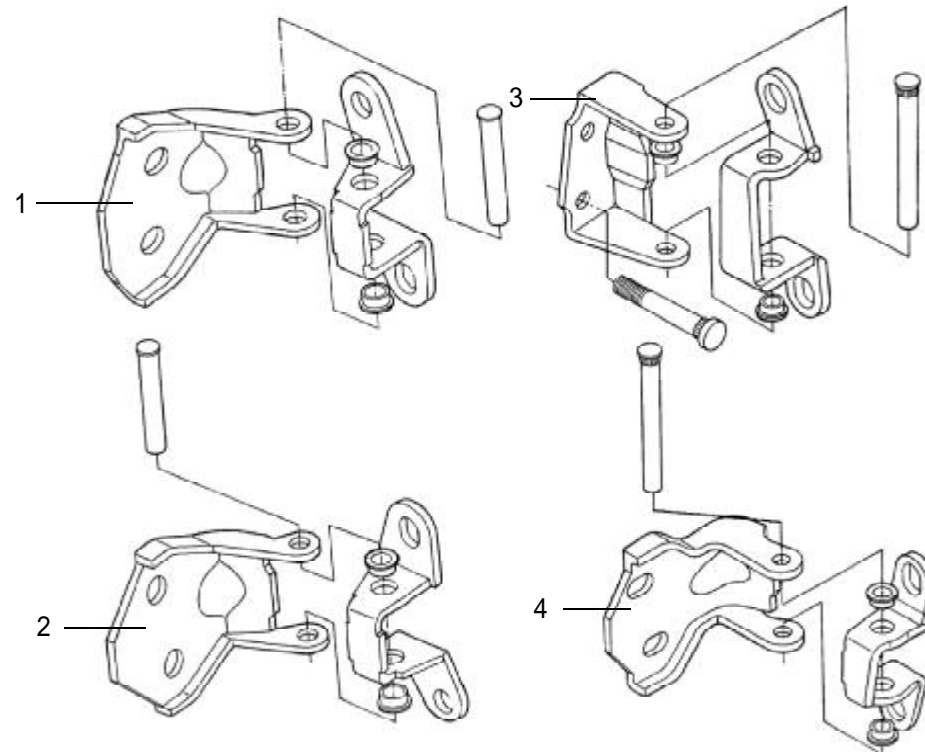
序号 S/N	零部件代号 PART CODE	零部件名称 PART NAME	用量 QTY	适用车型 VEHICLE APPLICABLE TO	备注 REMARK
1	6203012-D01	右后侧面车门玻璃 REAR DOOR GLASS,RH	1	D01 D02 D03 D16 D17 D18 D22 D23 D24 D37 D38 D39 D43 D44 D45 D46 D50 D65	
2	6101011-D01	车门缓冲块 DOOR DAMPING RUBBER BLOCK	2	D01 D02 D03 D04 D06 D07 D08 D22 D23 D24 D25 D27 D43 D44 D45 D46 D47 D48 D49 D50 D65 D66	
3	6201200-D01	右后侧面车门总成 REAR DOOR ASSEMBLY,RH	1	D01 D02 D03 D16 D17 D18 D22 D23 D24 D37 D38 D39 D43 D44 D45 D46 D50 D65	
4	6201400-D01	右后侧面车门玻璃下导轨总成 REAR DOOR GLASS RUN RAIL ASSEMBLY,RH	1		
5	6207102-D01	右后侧面车门下防尘胶条 REAR DOOR LOWER DUSTPROOF STRIP,RH	1		
6	6207500-D01	后侧面车门外水切总成 EXTERIOR WEATHERSTRIP ASSEMBLY,REAR DOOR	1		
7	6207202-D01	右后侧面车门密封条 REAR DOOR SEALING STRIPS,RH	1		
8	6207302-D01	右后侧面车门玻璃呢槽 REAR DOOR GLASS RUN CHANNEL,RH	1	D01 D02 D03 D16 D17 D18 D22 D23 D24 D37 D38 D39 D43 D44 D45 D46 D50 D65	
9	6209100-D01	后侧面车门限位器总成 REAR DOOR CHECK STOP ASSEMBLY	1		





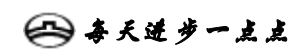
 每天进步一点点

车门上下铰链总成 DOOR UPPER AND LOWER HINGE ASSEMBLY

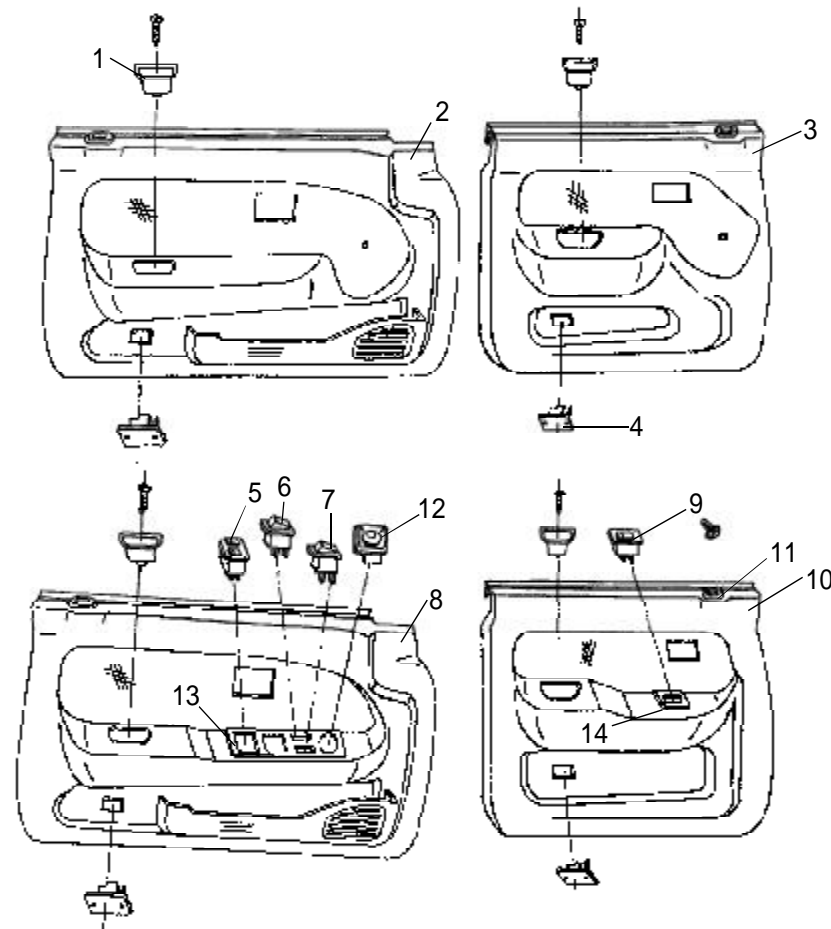


车门上下铰链总成 DOOR UPPER AND LOWER HINGE ASSEMBLY

序号 S/N	零部件代号 PART CODE	零部件名称 PART NAME	用量 QTY	适用车型 VEHICLE APPLICABLE TO	备注 REMARK		
1	6106100-D01	左前侧面车门上铰链总成 UPPER HINGE ASSEMBLY,FRONT DOOR,LH	1	D01 D02 D03 D04 D06 D07 D08 D19 D21 D22 D23 D24 D25 D27 D43 D44 D45 D46 D47 D48 D49 D50 D65 D66			
	6106200-D01	右前侧面车门上铰链总成 UPPER HINGE ASSEMBLY,FRONT DOOR,RH	1				
2	6106300-D01	左前侧面车门下铰链总成 LOWER HINGE ASSEMBLY,FRONT DOOR,LH	1				
	6106400-D01	右前侧面车门下铰链总成 LOWER HINGE ASSEMBLY,FRONT DOOR,RH	1				
3	6206100-D01	左后侧面车门上铰链总成 REAR DOOR UPPER HINGE ASSEMBLY,LH	1		D01 D02 D03 D16 D17 D18 D22 D23 D24 D37 D38 D39 D43 D44 D45 D46 D50 D65		
	6206200-D01	右后侧面车门上铰链总成 REAR DOOR UPPER HINGE ASSEMBLY,RH	1				
4	6206300-D01	左后侧面车门下铰链总成 REAR DOOR LOWER HINGE ASSEMBLY,LH	1				
	6206400-D01	右后侧面车门下铰链总成 REAR DOOR LOWER HINGE ASSEMBLY,RH	1				



左侧面车门内饰板（一） LEFT FRONT DOOR TRIM PANEL (1)



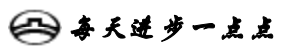
左侧面车门内饰板 (一) LEFT FRONT DOOR TRIM PANEL (1)

序号 S/N	零部件代号 PART CODE	零部件名称 PART NAME	用量 QTY	适用车型 VEHICLE APPLICABLE TO	备注 REMARK
1	6102103-D01	侧面车门内扣手 INNER DOOR HANDLE (MAHOGANY PATTERN PURPLISH RED)	2	D43 D44 D45 D46	亚光桃木纹枣红色
2	6102101-D01-0110	左前侧面车门内饰板 FRONT DOOR TRIM PANEL,LH (MANUAL AND RED)	1	D01 D02 D03 D07 D08 D16 D17 D18 D22 D23 D24 D43 D44 D46 D50 D65 D66	手动红色
	6102101-D01-0314	左前侧面车门内饰板 FRONT DOOR TRIM PANEL,LH (MANUAL AND LIGHT COFFEE)			手动浅咖啡色
	6102100-D06-0314	左前侧面车门内饰板 FRONT DOOR TRIM PANEL,LH (LIGHT COFFEE)		D04 D06 D19 D21	浅咖啡色
3	6202101-D01-0110	左后侧面车门内饰板 TRIM PANEL, REAR DOOR, LH (MANUAL AND RED)	1	D01 D02 D03 D07 D08 D16 D17 D18 D22 D23 D24 D43 D44 D46 D50 D65 D66	手动红色
	6202101-D01-0314	左后侧面车门内饰板 TRIM PANEL, REAR DOOR, LH (MANUAL AND LIGHT COFFEE)			手动浅咖啡色
4	4131010-D01	门灯总成 DOOR LAMP ASSEMBLY	2	D01 D02 D03 D22 D23 D24 D47 D48 D49 D50 D65 D66	
5	3746110-D07	主门窗开关总成 WINDOW REGULATOR SWITCH ASSEMBLY	2	D01 D02 D03 D22 D23 D24 D43 D44 D45 D46	
6	3746120-D07	电源开关总成 POWER SWITCH ASSEMBLY	1		
7	3746130-D07	锁止开关总成 LOCKING SWITCH ASSEMBLY	1		D01 D02 D03 D22 D23 D24 D43 D44 D46
8	6102101-D17-B1-0110	左前侧面车门内饰板 FRONT DOOR TRIM PANEL,LH (POWER AND RED)	1	D01 D02 D03 D07 D08 D16 D17 D18 D22 D23 D24 D43 D44 D46 D50 D65 D66	电动红色
	6102101-D17-0314	左前侧面车门内饰板 FRONT DOOR TRIM PANEL,LH (POWER AND LIGHT COFFEE)			电动浅咖啡
9	3746200-D07	升降电机副开关总成 WINDOW REGULATOR SWITCH ASSEMBLY	1	D01 D02 D03 D07 D08 D16 D17 D18 D22 D23 D24 D43 D44 D46	
10	6202101-D17-0110	左后侧面车门内饰板 TRIM PANEL, REAR DOOR, LH (POWER AND RED)	1	D01 D02 D43 D44 D46 D50 D65	电动红色
	6202101--D17-0314	左后侧面车门内饰板 TRIM PANEL, REAR DOOR, LH (POWER AND LIGHT COFFEE)		D17	电动浅咖啡



左侧面车门内饰板 (一) LEFT FRONT DOOR TRIM PANEL (1)

序号 S/N	零部件代号 PART CODE	零部件名称 PART NAME	用量 QTY	适用车型 VEHICLE APPLICABLE TO	备注 REMARK
11	6102106-D01-0314	锁提钮座 SEAT,DOOR LOCK CONTROL KNOB (LIGHT COFFEE)	4	D01 D02 D03 D04 D06 D07 D08 D16 D17 D18 D19 D21 D22 D23 D24 D43 D44 D46 D50 D65 D66	浅咖啡色
	6102106-D01-0110	锁提钮座 SEAT,DOOR LOCK CONTROL KNOB (RED)			红色
12	3746140-D07	电动外后视镜开关总成 EXTERIOR POWER REAR VIEW MIRROR SWITCH		D01 D02 D03 D07 D08 D16 D17 D18 D22 D23 D24 D43 D44 D46	
13	3746101-D07	左前门窗开关安装板 FRONT POWER WINDOW REGULATOR SWITCH , LH (BIG, MAHOGANY PATTERN PURPLISH RED)	1		大, 桃木纹枣红色
	3746101-D07-0314	左前门窗开关安装板 FRONT POWER WINDOW REGULATOR SWITCH PANEL, LH (BIG, LIGHT COFFEE)			大, 浅咖啡色
14	3746201-D07	电动摇窗机开关座 SWITCH SEAT,POWER WINDOW REGULATOR (SMALL , GLOSSY MAHOGANY PATTERN PURPLISH RED)	1	D22 D23 D24 D01 D02 D03	小, 亚光桃木纹浅枣红
	3746201-D07-0314	电动摇窗机开关座 SWITCH SEAT,POWER WINDOW REGULATOR (SMALL, LIGHT COFFEE)			小, 浅咖啡色



右侧面车门内饰板 (一) RIGHT FRONT DOOR TRIM PANEL (1)

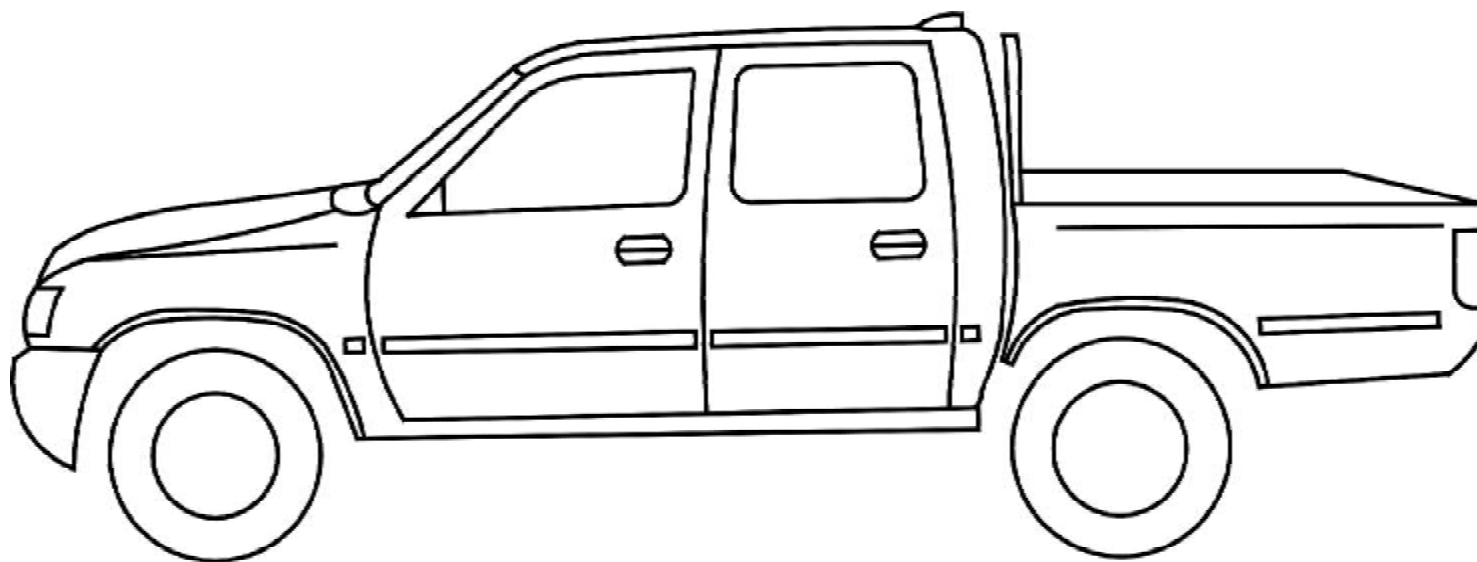
序号 S/N	零部件代号 PART CODE	零部件名称 PART NAME	用量 QTY	适用车型 VEHICLE APPLICABLE TO	备注 REMARK
1	6102103-D01	门内扣手 INNER DOOR HANDLE (MAHOGANY PATTERN PURPLISH RED)	2	D01 D02 D03 D07 D08 D16 D17 D18 D22 D23 D24 D43 D44 D46 D50 D65	桃木纹枣红色
2	6102102-D01-0110	右前侧面车门内饰板 TRIM PANEL, FRONT DOOR,RH (MANUAL AND RED)	1	D66	手动红色
	6102102-D07-0314	右前侧面车门内饰板 TRIM PANEL, FRONT DOOR,RH (MANUAL AND LIGHT COFFEE)			手动浅咖啡色
	6102100-D06-0314	右前侧面车门内饰板 TRIM PANEL, FRONT DOOR,RH			D04 D06 D19 D21
3	6202102-D01-0110	右后侧面车门内饰板 TRIM PANEL, REAR DOOR, RH (MANUAL AND RED)	1	D01 D02 D03 D07 D08 D16 D17 D18 D22 D23 D24 D43 D44 D46 D50 D65 D66	手动红色
	6202102-D01-0314	右后侧面车门内饰板 TRIM PANEL, REAR DOOR, RH (MANUAL AND LIGHT COFFEE)			手动浅咖啡色
4	4131010-D01	门灯总成 DOOR LAMP ASSEMBLY	2	D01 D02 D03 D22 D23 D24 D47 D48 D49 D50 D65 D66	
8	6102102-D17 -0110	右前侧面车门内饰板 TRIM PANEL, FRONT DOOR,RH (POWER AND RED)	1	D01 D02 D43 D44 D46 D50 D65 D17	电动红色
	6102102-D17-0314	右前侧面车门内饰板 TRIM PANEL, FRONT DOOR,RH (POWER AND LIGHT COFFEE)			电动浅咖啡色
	6102102-D01-0314	右前侧面车门内饰板 TRIM PANEL, FRONT DOOR,RH (POWER AND LIGHT COFFEE)			D01 D02 D03 D50 D65
9	3746200-D01	副门窗开关总成 WINDOW REGULATOR SWITCH ASSEMBLY	2	D01 D02 D03 D22 D23 D24 D43 D44 D46	
10	6202102-D01 -0110	右后侧面车门内饰板 TRIM PANEL, REAR DOOR, RH (POWER AND RED)	1	D01 D02 D43 D44 D46 D50 D65 D17	电动红色
	6202102-D17-0314	右后侧面车门内饰板 TRIM PANEL, REAR DOOR, RH (POWER AND LIGHT COFFEE)			电动浅咖啡色
	6202102-D01-0314	右后侧面车门内饰板 TRIM PANEL, REAR DOOR, RH (POWER AND LIGHT COFFEE)			D01 D02 D03 D50 D65
11	6102106-D01-0314	锁提钮座 SEAT,DOOR LOCK CONTROL KNOB (LIGHT COFFEE)	4	D01 D02 D03 D04 D06 D19 D21 D50 D65	浅咖啡色



右侧面车门内饰板 (一) RIGHT FRONT DOOR TRIM PANEL (1)

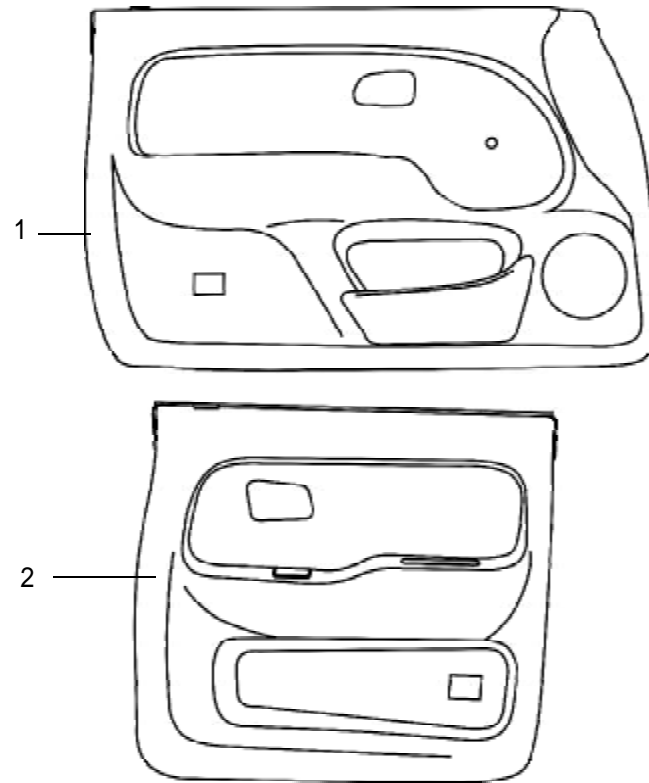
序号 S/N	零部件代号 PART CODE	零部件名称 PART NAME	用量 QTY	适用车型 VEHICLE APPLICABLE TO	备注 REMARK
11	6102106-D01-0110	锁提钮座 SEAT,DOOR LOCK CONTROL KNOB (RED)	4	D43 D44 D46 D47	红色
12	3746140-D07	电动外后视镜开关总成 EXTERIOR POWER REAR VIEW MIRROR SWITCH		D01 D02 D03 D07 D08 D16 D17 D18 D22 D23 D24 D43 D44 D46	
13	3746101-D07-0111	左前门窗开关安装板 FRONT POWER WINDOW REGULATOR SWITCH PANEL, LH (BIG, MAHOGANY PATTERN PURPLISH RED)	1		大, 桃木纹枣红色
	3746101-D07-0314	左前门窗开关安装板 FRONT POWER WINDOW REGULATOR SWITCH PANEL, RH (BIG, LIGHT COFFEE)			大, 浅咖啡色
14	3746201-D07	右前门窗开关安装板 SWITCH SEAT,POWER WINDOW REGULATOR (SMALL,GLOSSY MAHOGANY PATTERN PURPLISH RED)	2	D22 D23 D24	小, 亚光桃木纹浅枣红
	3746201-D07-0314	右前门窗开关安装板 SWITCH SEAT,POWER WINDOW REGULATOR (SMALL ,LIGHT COFFEE)		D01 D02 D03	小, 浅咖啡色





 每天进步一点点

侧面车门内饰板（二） DOOR TRIM PANEL (2)

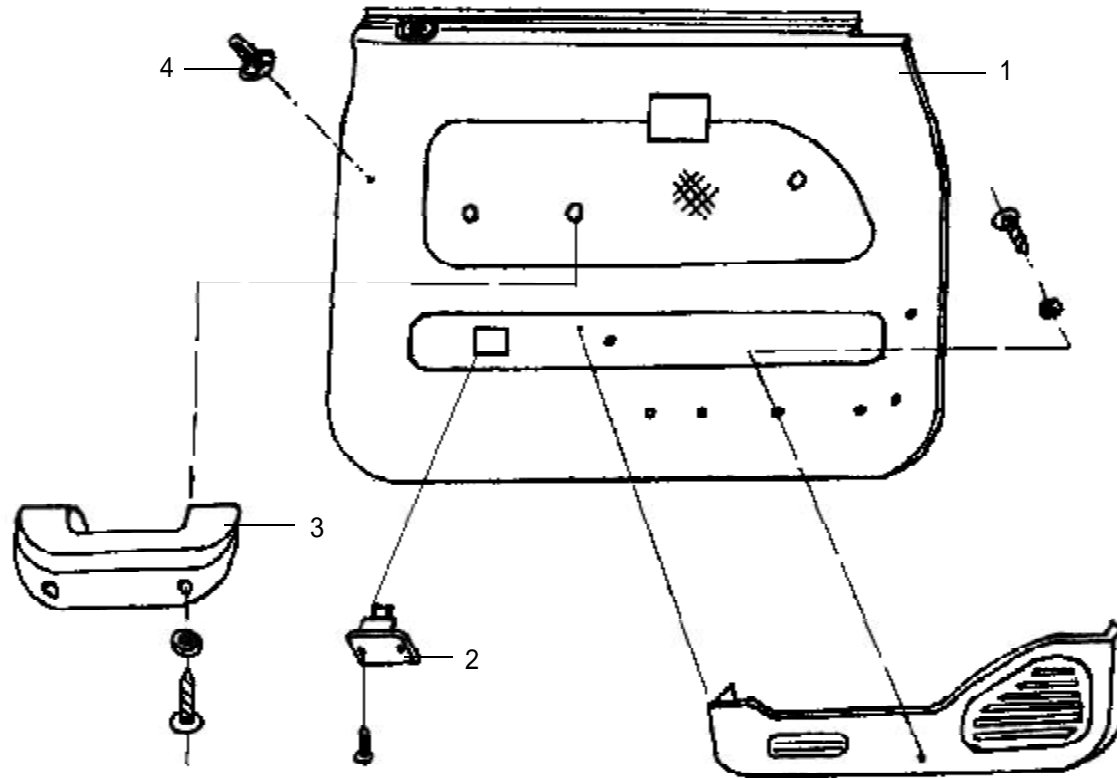


侧面车门内饰板 (二) DOOR TRIM PANEL (2)

序号 S/N	零部件代号 PART CODE	零部件名称 PART NAME	用量 QTY	适用车型 VEHICLE APPLICABLE TO	备注 REMARK	
1	6102102-D07-0314	右前侧面车门内饰板 TRIM PANEL, FRONT DOOR,RH (MANUAL AND LIGHT COFFEE)	1	D01 D02 D03 D07 D08 D50 D65 D66	手动浅咖啡色	
	6102102-D07-B1-0314	右前侧面车门内饰板 TRIM PANEL, FRONT DOOR,RH (POWER AND LIGHT COFFEE)			电动浅咖啡色	
	6102101-D07-0314	左前侧面车门内饰板 TRIM PANEL, FRONT DOOR,LH (MANUAL AND LIGHT COFFEE)	1		手动浅咖啡色	
	6102101-D07-B1-0314	左前侧面车门内饰板 TRIM PANEL, FRONT DOOR,LH (POWER AND LIGHT COFFEE)			电动浅咖啡色	
2	6202102-D07-0314	右后侧面车门内饰板 TRIM PANEL, REAR DOOR, RH (MANUAL AND LIGHT COFFEE)	1			手动浅咖啡色
	6202102-D07-B1-0314	右后侧面车门内饰板 TRIM PANEL, REAR DOOR, RH (POWER AND LIGHT COFFEE)				电动浅咖啡色
	6202101-D07-0314	左后侧面车门内饰板 TRIM PANEL, REAR DOOR, LH (MANUAL AND LIGHT COFFEE)	1			手动浅咖啡色
	6202101-D07-B1-0314	左后侧面车门内饰板 TRIM PANEL, REAR DOOR, LH (POWER AND LIGHT COFFEE)				电动浅咖啡色



侧面车门内饰板（三） FRONT DOOR TRIM PANEL (3)



每天进步一点点

左侧面车门内饰板 (三) LEFT FRONT DOOR TRIM PANEL (3)

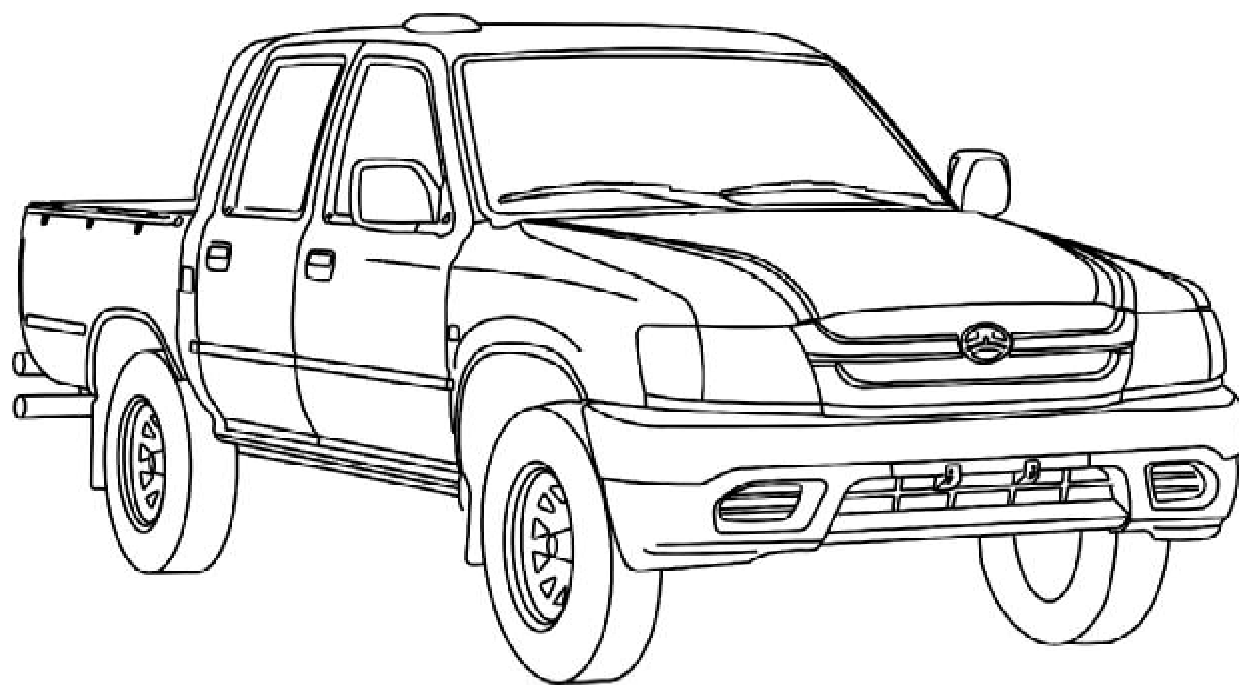
序号 S/N	零部件代号 PART CODE	零部件名称 PART NAME	用量 QTY	适用车型 VEHICLE APPLICABLE TO	备注 REMARK
1	6102101-D04-B3-0314	左前侧面车门内饰板 FRONT DOOR TRIM PANEL,LH (FIBERBOARD,LIGHT COFFEE)	1	D04 D05 D06 D19 D21	浅咖啡色,纤维板
	6102101-D04-B1-0314	左前侧面车门内饰板 FRONT DOOR TRIM PANEL,LH (POWER AND LIGHT COFFEE)			电动浅咖啡色
	6102101-D62-0314	左前侧面车门内饰板 FRONT DOOR TRIM PANEL,LH (MANUAL, ECONOMY, LIGHT COFFEE)		D62 D63 D64	手动,经济型,浅咖啡
2	4131010-D01	门灯总成 DOOR LAMP ASSEMBLY	1	D01 D02 D03 D04 D06 D19 D21 D22 D23 D24 D47 D48 D49 D50 D65 D66	
3	6102103-D01-0110	侧面车门内扣手 INNER DOOR HANDLE (RED)	2	D43 D44 D46	红色
	6102018-D62-0314	侧面车门内扣手 INNER DOOR HANDLE (ECONOMY,LIGHT COFFEE)		D62 D63 D64	经济型浅咖啡色
4	6102011-D01	侧面车门内饰板固定扣一 CLIP,NO.1,DOOR TRIM PANEL (WHITE)	24	D01 D02 D03 D06 D21 D22 D23 D24 D43 D44 D46 D47 D48 D49 D50 D65	白



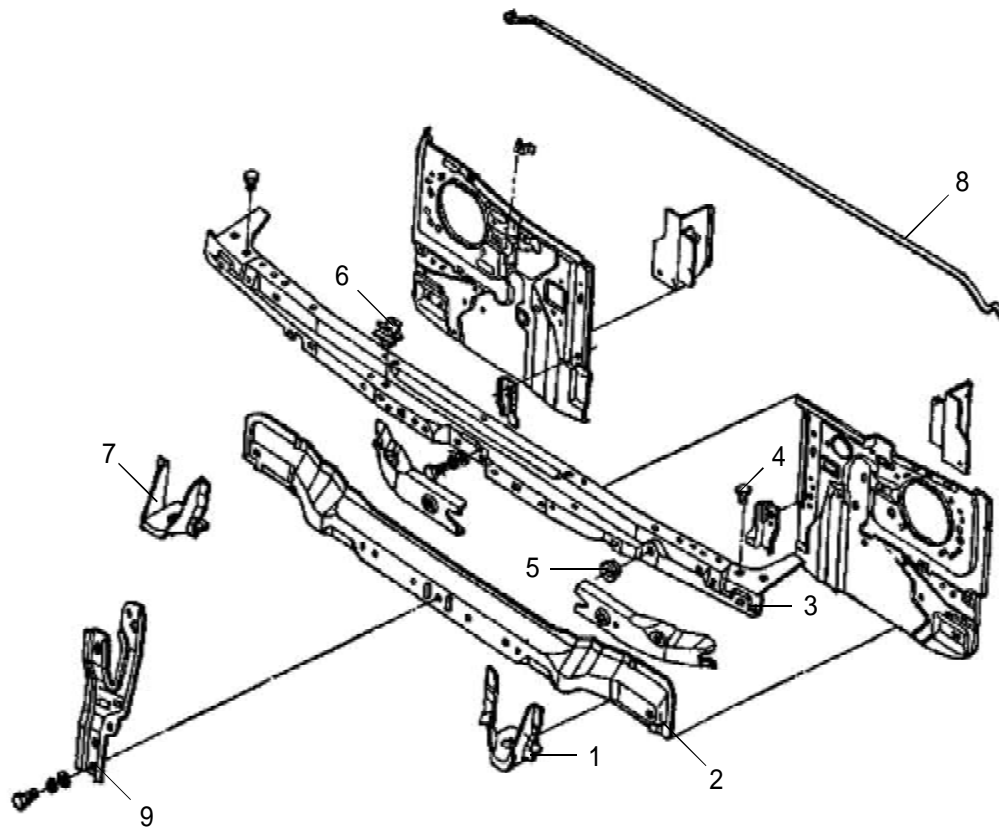
右侧面车门内饰板 (三) RIGHT FRONT DOOR TRIM PANEL (3)

序号 S/N	零部件代号 PART CODE	零部件名称 PART NAME	用量 QTY	适用车型 VEHICLE APPLICABLE TO	备注 REMARK
1	6102102-D04-B3- 0314	右前侧面车门内饰板 TRIM PANEL, FRONT DOOR,RH (LIGHT COFFEE)	1	D04 D05 D06 D19 D21	浅咖啡色
	6102102-D04-B1-0314	右前侧面车门内饰板 TRIM PANEL, FRONT DOOR,RH (POWER AND LIGHT COFFEE)			电动浅咖啡色
	6102102-D62-0314	右前侧面车门内饰板 TRIM PANEL, FRONT DOOR,RH (MANUAL, ECONOMY, LIGHT COFFEE)		D62 D63 D64	手动,经济型,浅咖啡
2	4131010-D01	门灯总成 DOOR LAMP ASSEMBLY	1	D01 D02 D03 D04 D06 D19 D21 D22 D23 D24 D47 D48 D49 D50 D65 D66	
3	6102103-D01-0110	侧面车门内扣手 INNER DOOR HANDLE (RED)	2	D43 D44 D46	红色
	6102014-D62-0314	侧面车门内扣手 INNER DOOR HANDLE (ECONOMY, LIGHT COFFEE)		D62 D63 D64	经济型浅咖啡色
<input type="checkbox"/> 4	6102011-D01	侧面车门内饰板固定扣一 CLIP,NO.1,DOOR TRIM PANEL (WHITE)	24	D01 D02 D03 D04 D06 D19 D21 D22 D23 D24 D43 D44 D46 D47 D48 D49 D50 D65	白





散热器支架总成 (一)
RADIATOR BRACKET ASSEMBLY (1)

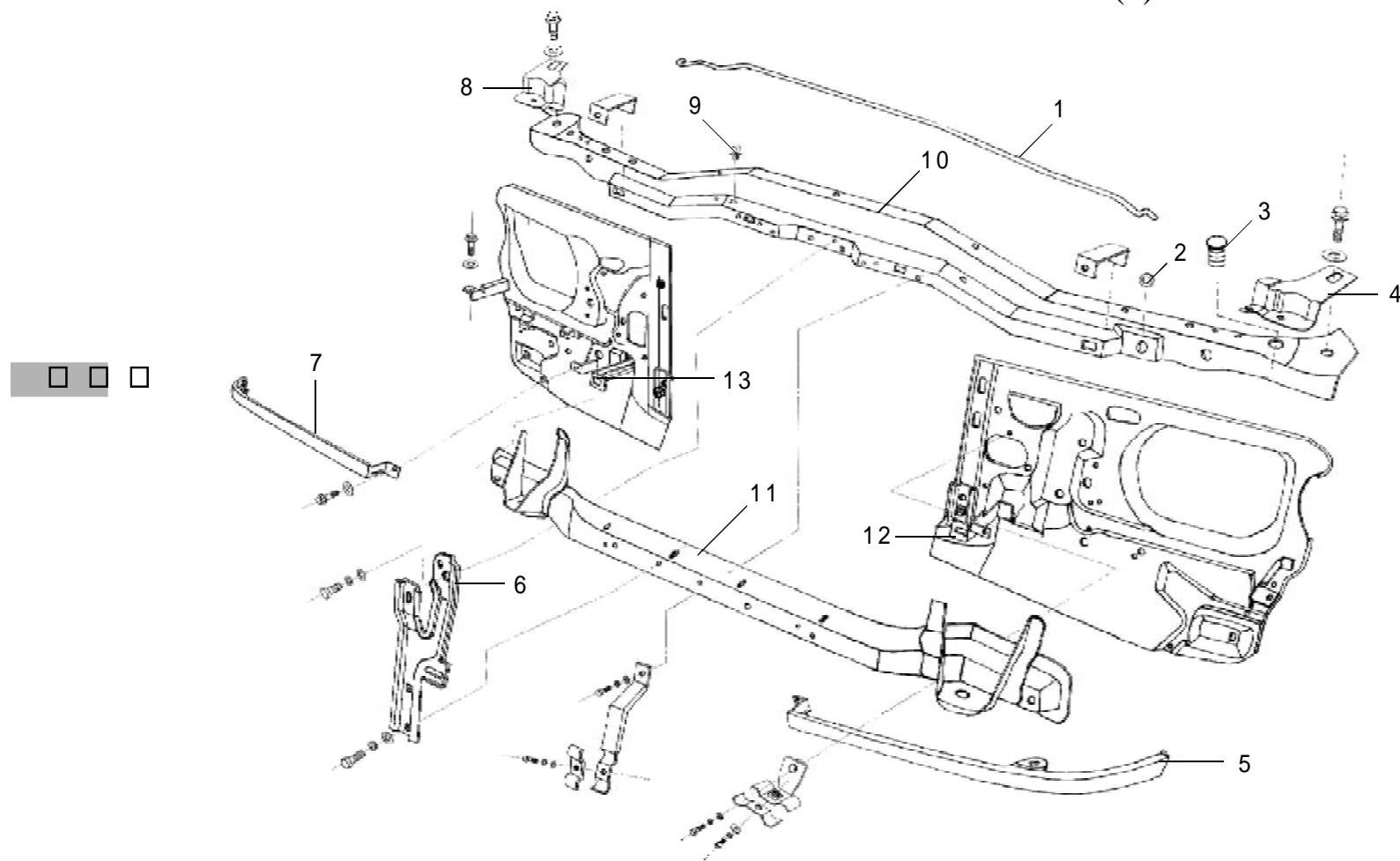



散热器支架总成(一) RADIATOR BRACKET ASSEMBLY(1)

序号 S/N	零部件代号 PART CODE	零部件名称 PART NAME	用量 QTY	适用车型 VEHICLE APPLICABLE TO	备注 REMARK
	8400700-D22	散热器支架总成 BRACKET ASSEMBLY,RADIATOR GRILL	1	D22 D23 D24 D25 D27 D37 D38 D40 D42 D43 D44 D46 D47 D48 D49	
1	8400777-D22	左前悬置支架 FRONT SUSPENSION BRACKET, LH, RADIATOR BRACKET	1	D22 D23 D24 D43 D44 D46 D47 D48 D49	
2	8400720-D22	散热器支架下横梁总成 LOWER CROSSMEMBER ASSEMBLY,RADIATOR BRACKET	1		
3	8400710-D22	散热器支架上横梁总成 UPPER CROSSMEMBER ASSEMBLY,RADIATOR BRACKET	1		
4	8403033-D01	发动机罩螺栓形胶垫 DAMPING BLOCK,ENGINE HOOD	2	D01 D02 D03 D04 D06 D19 D21 D22 D23 D24 D43 D44 D46 D47 D48 D49 D50 D65 D66	
5	8400022-D01	发动机罩撑杆胶套 STRUT BAR BUSHING,ENGINE HOOD	1		
6	8400024-D01	发动机罩撑杆固定座 HOLDER,ENGINE HOOD STRUT ROD (SQUARE BUTTON 12)	1		方扣 12
7	8400778-D22	右前悬置支架 FRONT SUSPENSION BRACKET, RH, RADIATOR BRACKET	1	D22 D23 D24 D43 D44 D46 D47 D48 D49	
8	8400021-D22	发动机罩撑杆 ENGINE HOOD STRUT ROD	1	D22 D23 D24 D25 D27 D37 D38 D40 D42 D43 D44 D46 D47 D48 D49	
9	8402015-D22	发动机罩锁支架 LOCK BRACKET ASSEMBLY,ENGINE HOOD	1	D22 D23 D24 D43 D44 D46 D47 D48 D49	



散热器支架总成 (二) RADIATOR BRACKET ASSEMBLY (2)



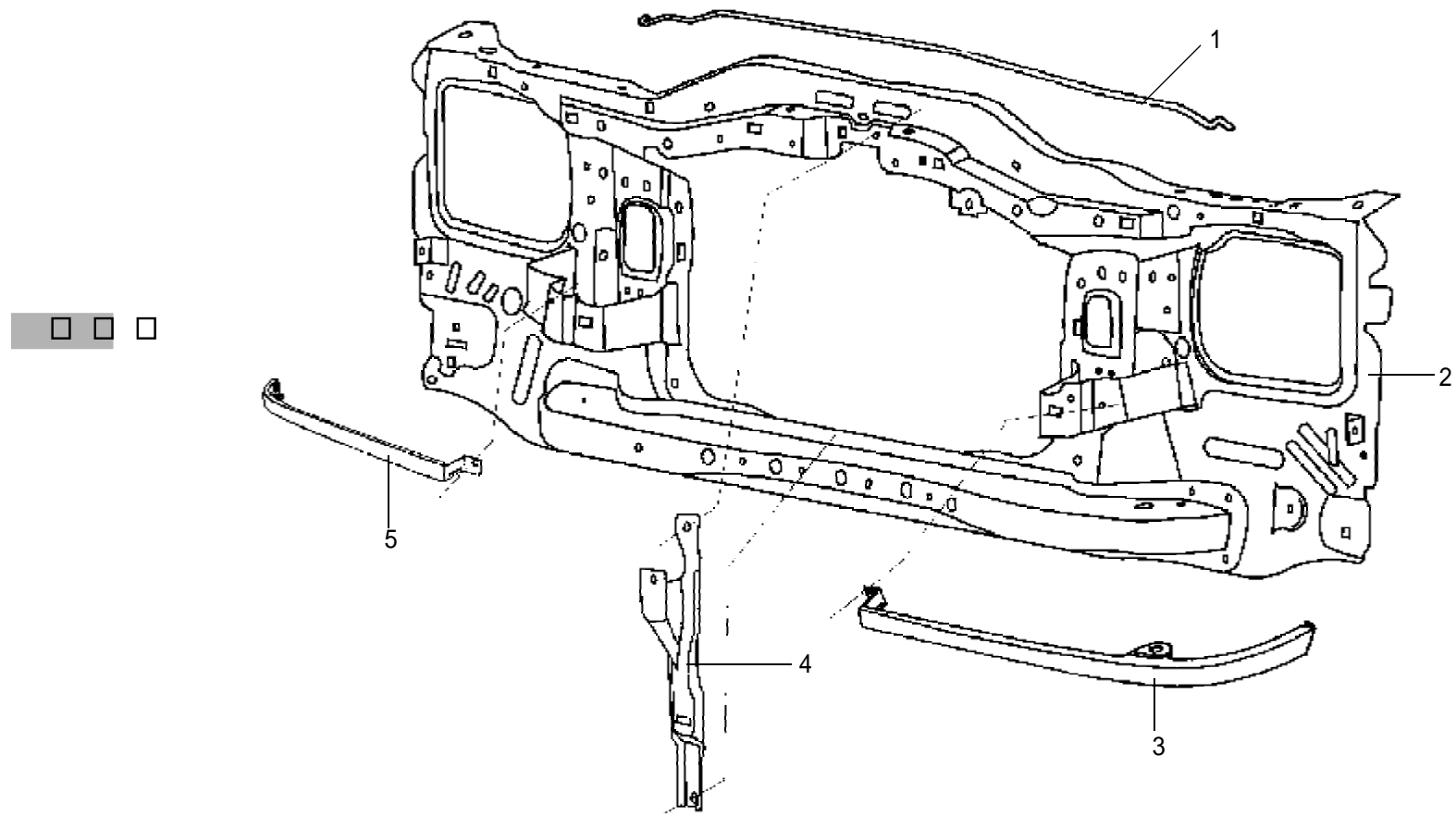
 每天进步一点点

散热器支架总成(二) RADIATOR BRACKET ASSEMBLY (2)

序号 NO.	零部件代号 PART CODE	零部件名称 PART NAME	用量 QTY	适用车型 VEHICLE APPLICABLE TO	备注 REMARK
	8400700-D01	散热器支架总成 BRACKET ASSEMBLY,RADIATOR GRILL	1	D01 D02 D03 D04 D06 D07 D08	
1	8400021-D01	发动机罩撑杆 ENGINE HOOD STRUT ROD (MODEL 2003)	1	D09 D16 D17 D18 D19 D21 D50 D65 D66	2003 款
2	8400022-D01	发动机罩撑杆胶套 STRUT BAR BUSHING,ENGINE HOOD	1	D01 D02 D03 D04 D06 D19 D21	
3	8403033-D01	螺旋缓冲块 DAMPING BLOCK,ENGINE HOOD	2	D22 D23 D24 D43 D44 D46 D47 D48 D49 D50 D65 D66	
4	8403013-D01	左翼子板小支架 SMALL BRACKET,FRONT FENDER,LH (MODEL 2003)	1	D01 D02 D03 D50 D65 D66	2003 款
5	8400017-D01	左前照灯装饰条 GARNISH STRIP,HEADLAMP,LH	1	D01 D02 D03 D04 D06 D19 D21	
6	8402015-D01	发动机罩锁支架 LOCK BRACKET,ENGINE HOOD (MODEL 2003)	1	D50 D65 D66	2003 款
7	8400018-D01	右前照灯装饰条 GARNISH STRIP,HEADLAMP,RH	1		
8	8403014-D01	右翼子板小支架 SMALL BRACKET,FRONT FENDER,RH (MODEL 2003)	1	D01 D02 D03 D50 D65 D66	2003 款
9	8400024-D01	发动机罩撑杆固定座 HOLDER,ENGINE HOOD STRUT ROD (SQUARE BUTTON 12)	1	D01 D02 D03 D04 D06 D19 D21 D22 D23 D24 D43 D44 D46 D47 D48 D49 D50 D65 D66	方扣 12
10	8400710-D01	散热器支架上横梁 UPPER CROSSMEMBER ASSEMBLY,RADIATOR BRACKET	1	D01 D02 D03 D04 D06 D19 D21 D50 D65 D66	
11	8400770-D01	散热器支架下横梁总成 LOWER CROSSMEMBER ASSEMBLY,RADIATOR BRACKET	1		
12	8400701-D01	左散热器罩支架 BRACKET,RADIATOR GRILL,LH	1		
13	8400702-D01	右散热器罩支架 BRACKET,RADIATOR GRILL,RH	1		



散热器支架总成（三） RADIATOR BRACKET ASSEMBLY(3)

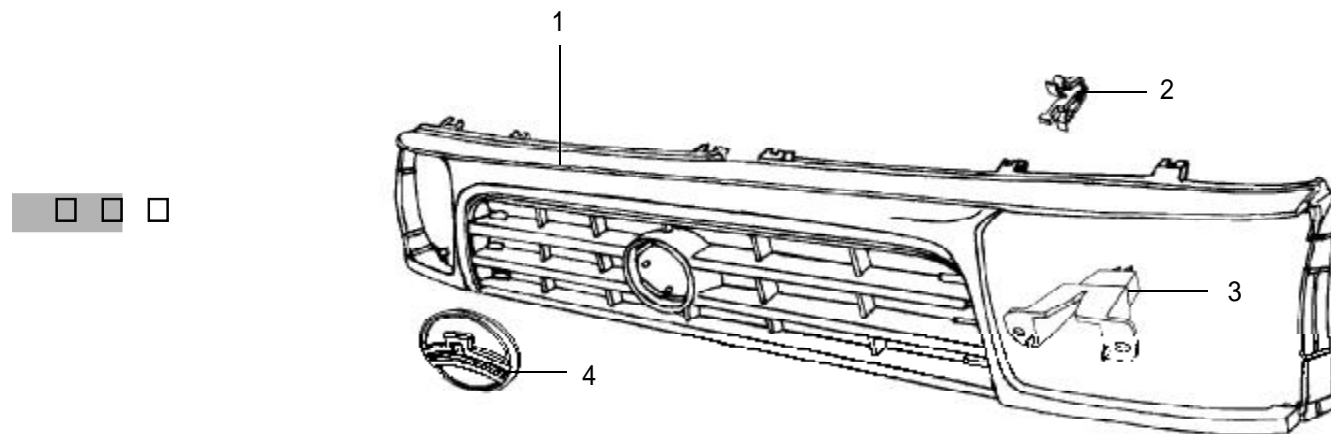



散热器支架总成（三） RADIATOR BRACKET ASSEMBLY (3)

序号 S/N	零部件代号 PART CODE	零部件名称 PART NAME	用量 QTY	适用车型 VEHICLE APPLICABLE TO	备注 REMARK
1	8400021-F00	发动机罩撑杆 ENGINE HOOD STRUT ROD (MODEL 2004)	1	F00 F01 D50 D65	2004 款
2	8400700-F00	散热器支架总成 BRACKET ASSEMBLY,RADIATOR GRILL (MODEL 2004)	1		2004 款
3	8400017-F00	左前照灯装饰条 GARNISH STRIP,HEADLAMP,LH (MODEL 2003)	1		2003 款
4	8402015-F00	发动机罩锁支架 LOCK BRACKET,ENGINE HOOD (MODEL 2004)	1		2004 款
5	8400018-F00	右前照灯装饰条 GARNISH STRIP,HEADLAMP,RH (MODEL 2003)	1		2003 款



散热器罩 RADIATOR GRILL



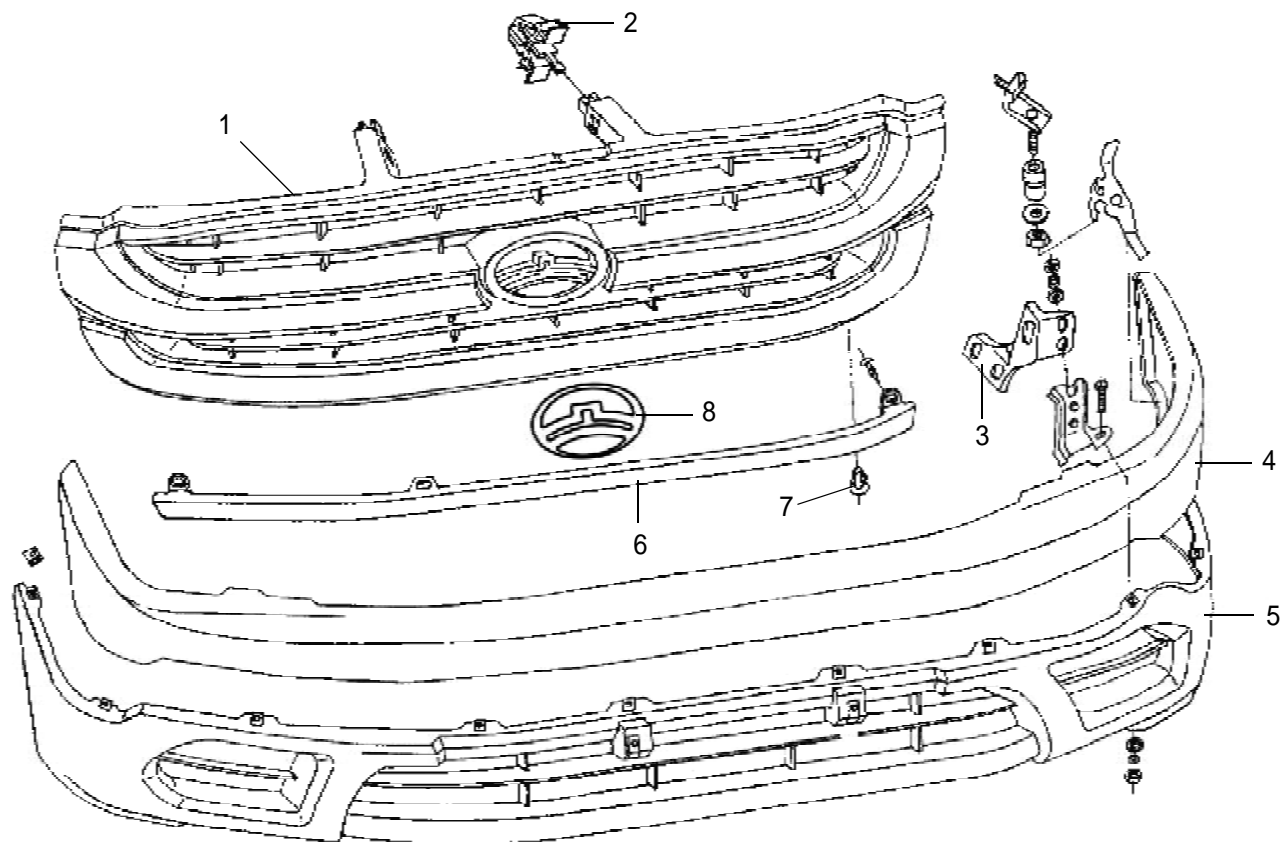
 每天进步一点点

散热器罩 RADIATOR GRILL

序号 S/N	零部件代号 PART CODE	零部件名称 PART NAME	用量 QTY	适用车型 VEHICLE APPLICABLE TO	备注 REMARK
1	5509101-D22	散热器罩 RADIATOR GRILL	1	D22 D23 D24 D25 D27 D37 D38 D40 D42 D43 D44 D45 D46 D47 D48 D49	
2	5509102-D01	散热器罩塑料卡子 CLIP,RADIATOR GRILL	11		
3	5509105-D43	散热器罩支架 BRACKET,RADIATOR GRILL	2		
4	3921012-D22	散热器罩标牌 RADIATOR COVER NAMEPLATE	1		



散热器罩及保险杠总成 RADIATOR GRILL AND BUMPER ASSEMBLY



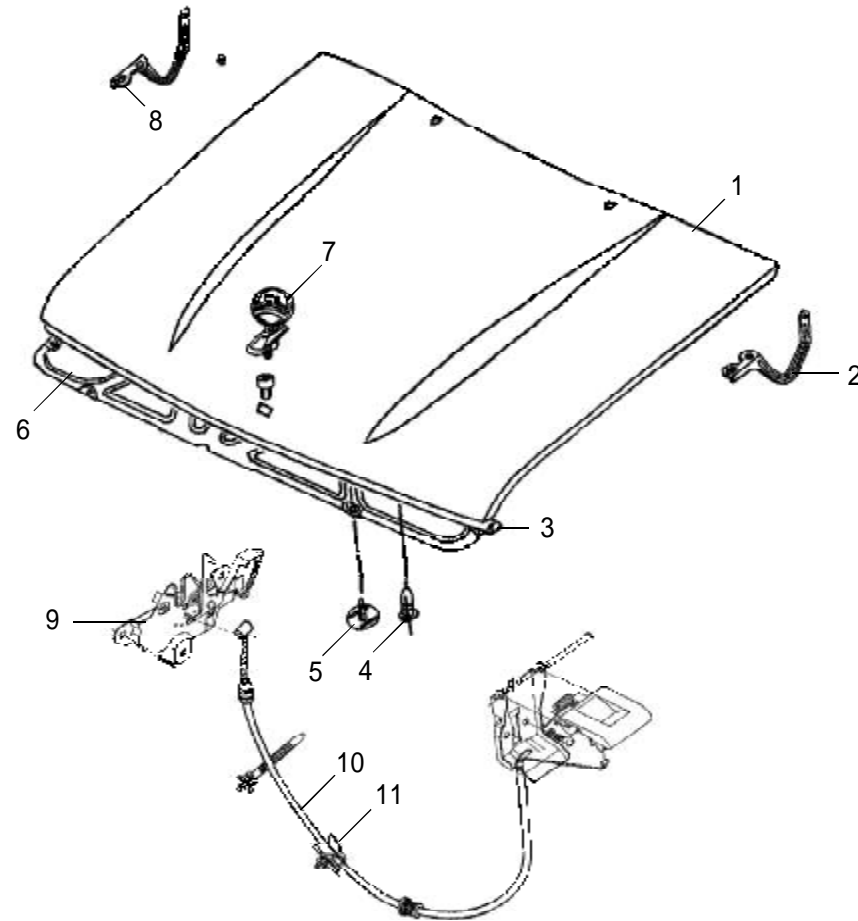
 每天进步一点点

散热器罩及保险杠总成 RADIATOR GRILL AND BUMPER ASSEMBLY

序号 S/N	零部件代号 PART CODE	零部件名称 PART NAME	用量 QTY	适用车型 VEHICLE APPLICABLE TO	备注 REMARK
1	5509101-D01	散热器罩 RADIATOR GRILL ASSEMBLY	1	D01 D02 D03 D04 D06 D07 D08 D16 D17 D18 D19 D21 D50 D65 D66	
2	5509102-D01	散热器罩卡扣一 CLIP N0.1	5		
	5509103-D01	散热器罩卡扣二 CLIP N0.2	2		
3	2803301-D01	前保险杠左支架 LEFT BRACKET, FRONT BUMPER	1		
	2803302-D01	前保险杠右支架 RIGHT BRACKET, FRONT BUMPER	1		
4	2803100-D01	前保险杠上体总成 FRONT BUMPER UPPER PART ASSEMBLY	1		
5	2803201-D01	前保险杠下体总成 FRONT BUMPER LOWER PART ASSEMBLY	1		
6	5509013-D01	散热器罩下装饰条 LOWER GARNISH STRIP,RADIATOR GRILL	1		
7	5509014-D01	散热器罩下装饰条卡扣 CLIP,LOWER GARNISH STRIP,RADIATOR GRILL	5		
8	5509104-D01	散热器罩标牌 RADIATOR GRILL NAMEPLATE	1		



发动机罩总成（一） ENGINE HOOD ASSEMBLY (1)

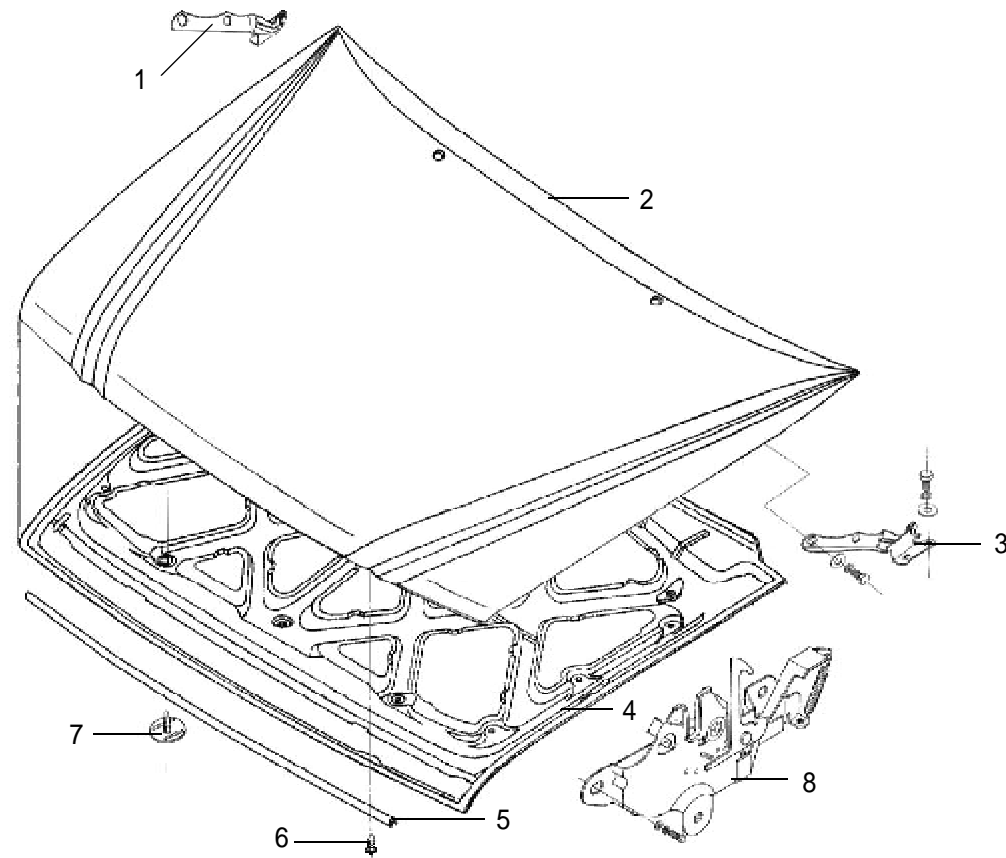


发动机罩总成 (一) ENGINE HOOD ASSEMBLY (1)

序号 S/N	零部件代号 PART CODE	零部件名称 PART NAME	用量 QTY	适用车型 VEHICLE APPLICABLE TO	备注 REMARK
1	8402020-D22	发动机罩总成 ENGINE HOOD ASSEMBLY	1	D22 D23 D24 D25 D27 D37 D38	
2	8402017-D22	发动机罩左铰链 ENGINE HOOD HINGE, LH	1	D40 D42 D43 D44 D45 D46 D47 D48 D49	
3	8402013-D01	发动机罩密封条 SEALING STRIP,ENGINE HOOD	1	D01 D02 D03 D04 D06 D07 D08	
4	8402014-D01	发动机罩密封条涨扣 SEALING STRIP CLIP,ENGINE HOOD	8	D19 D21 D22 D23 D24 D25 D27 D43 D44 D45 D46 D47 D48 D49	S-8
5	8402012-D01	发动机罩隔热层涨扣 CLIP,HEAT INSULATOR,ENGINE HOOD	15	D50 D65 D66	S-26
6	8402011-D22	发动机罩隔热层 HEAT INSULATOR,ENGINE HOOD	1	D22 D23 D24 D43 D44 D45 D46	
7	3921013-D22	立标 ENGINE HOOD EMBLEM (THICKEN)	1	D47 D48 D49	加厚
8	8402018-D22	发动机罩右铰链 ENGINE HOOD HINGE,RH	1	D22 D23 D24 D43 D44 D46	
9	8402030-D22	发动机罩锁总成 ENGINE HOOD LOCK ASSEMBLY (MODEL 2002)	1	D22 D23 D24 D43 D44 D45 D46 D47 D48 D49	2002 款
10	8402016-D01	发动机罩拉线 ENGINE HOOD LOCK CABLE	1	D01 D02 D03 D04 D06 D07 D08	
11	8402031-D01	塑扣 S-30 PLASTIC CLIP S-30	1	D19 D21 D22 D23 D24 D25 D27 D43 D44 D45 D46 D47 D48 D49 D50 D65 D66	



发动机罩总成（二） ENGINE HOOD ASSEMBLY (2)

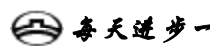
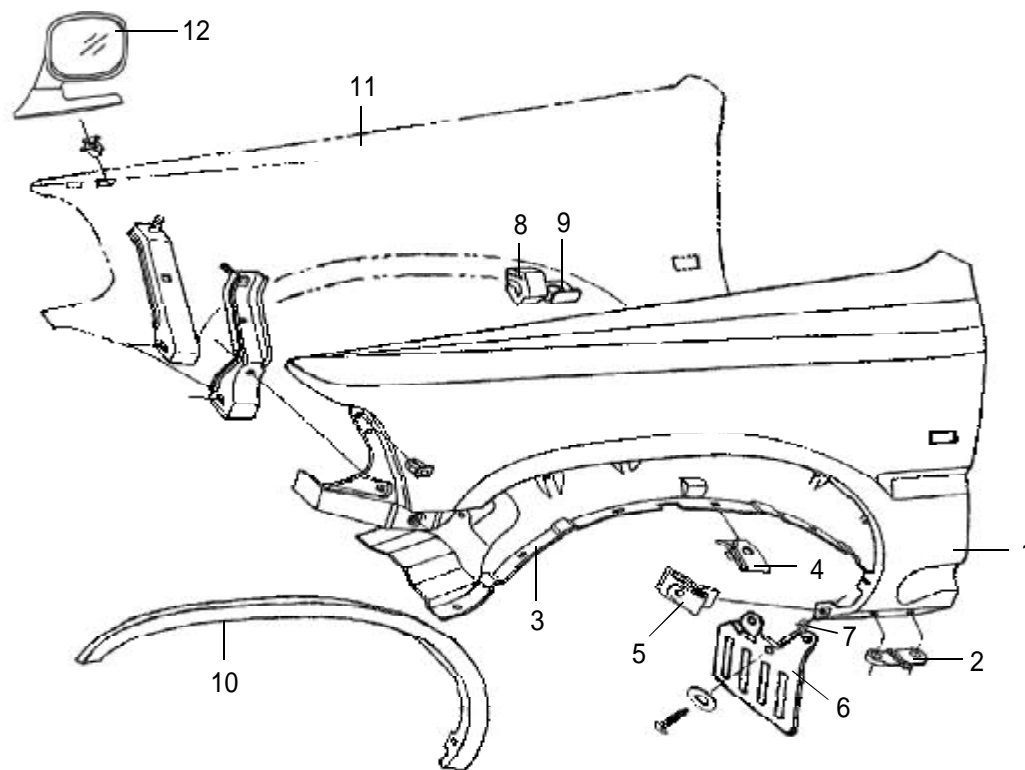


发动机罩总成（二） ENGINE HOOD ASSEMBLY(2)

序号 S/N	零部件代号 PART CODE	零部件名称 PART NAME	用量 QTY	适用车型 VEHICLE APPLICABLE TO	备注 REMARK
1	8402018-D01	发动机罩右铰链 ENGINE HOOD HINGE,RH (MODEL 2003)	1	D01 D02 D03 D04 D06 D07 D08	2003 款
2	8402020-D01	发动机罩总成 ENGINE HOOD ASSEMBLY (MODEL 2003)	1	D16 D17 D18 D19 D21 D50 D65 D66	2003 款
3	8402017-D01	发动机罩左铰链 ENGINE HOOD HINGE, LH (MODEL 2003)	1		2003 款
4	8402011-D01	发动机罩隔热层 HEAT INSULATOR,ENGINE HOOD (MODEL 2003)	1		2003 款
5	8402013-D01	发动机罩密封条 SEALING STRIP,ENGINE HOOD (MODEL 2003)	1	D01 D02 D03 D04 D06 D07 D08	2003 款
6	8402014-D01	发动机罩密封条涨扣 SEALING STRIP CLIP,ENGINE HOOD	10	D19 D21 D22 D23 D24 D25 D27 D43 D44 D45 D46 D47 D48 D49	S-8
7	8402012-D01	发动机罩隔热层涨扣 CLIP,HEAT INSULATOR,ENGINE HOOD	10	D50 D65 D66	S-26
8	8402030-D01	发动机罩锁总成 ENGINE HOOD LOCK ASSEMBLY (MODEL 2003)	1	D01 D02 D03 D04 D06 D07 D08 D16 D17 D18 D19 D21 D50 D65 D66	2003 款



翼子板总成 (一) FRONT FENDER ASSEMBLY (1)



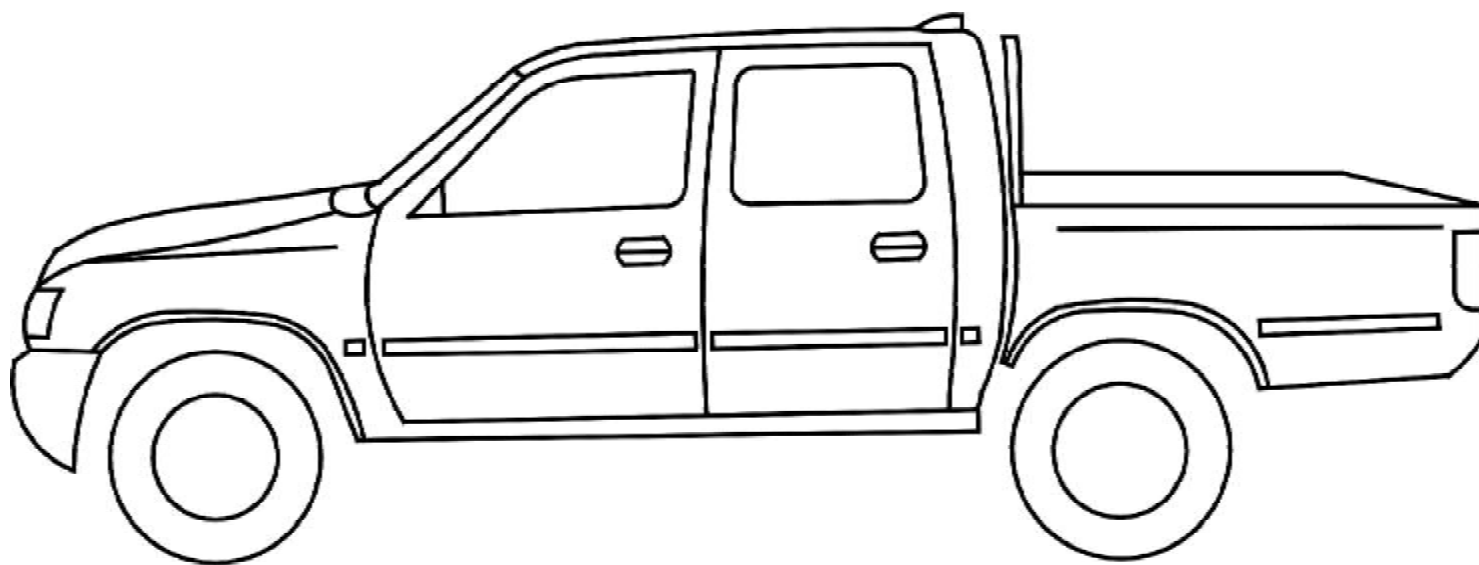
左翼子板总成 (一) LEFT FRONT FENDER ASSEMBLY (1)

序号 S/N	零部件代号 PART CODE	零部件名称 PART NAME	用量 QTY	适用车型 VEHICLE APPLICABLE TO	备注 REMARK
1	8403011-D22	左翼子板 FRONT FENDER,LH (NEW MODEL , WITHOUT SIDE TURN LAMP HOLE)	1	D43 D44 D46 D47 D48 D49	新款无侧转向灯孔
	8403011-D22-C1	左翼子板 FRONT FENDER,LH (WITH SIDE TURN LAMP HOLE)		D22 D23 D24 D25 D27 D37 D38 D40	有侧转向灯孔
2	8403015-D01	翼子板衬垫 CUSHION,FRONT FENDER	1	D01 D02 D03 D04 D06 D19 D21 D22 D23 D24 D43 D44 D46 D47 D48 D49 D50 D65 D66	
3	8403025-D01	左前轮防溅垫 FRONT WHEEL SPLASH GUARD,LH	1	D01 D02 D03 D04 D06 D19 D21 D50 D65 D66	
	8403025-D22	左前轮防溅垫 FRONT WHEEL SPLASH GUARD,LH	2	D22 D23 D24 D43 D44 D46 D47 D48 D49	
4	8403035-D01	塑料单卡子 SINGLE CLAMP	2	D01 D02 D03 D04 D06 D19 D21 D22 D23 D24 D43 D44 D46 D47 D48 D49 D50 D65 D66	
5	8403034-D01	塑料双卡子 DUAL CLAMP	3	D07 D08	
6	8403027-D01	左前轮挡泥板 FRONT WHEEL MUDGUARD, LH	1	D01 D02 D03 D04 D06 D19 D21 D22 D23 D24 D43 D44 D46 D47 D48 D49 D50 D65 D66	
	8403027-D07	左前轮挡泥板 FRONT WHEEL MUDGUARD, LH		D07 D08	
7	8403036-D01	防溅垫方扣 CLIP	1	D01 D02 D03 D04 D06 D19 D21 D22 D23 D24 D43 D44 D46 D47 D48 D49 D50 D65 D66	
8	8403023-D01	发动机罩方型减震胶垫 DAMPING BLOCK,ENGINE HOOD	2	D04 D06 D19 D21 D22 D23 D24 D43 D44 D46 D47 D48 D49	
9	8403021-D01	左减震垫支架 BRACKET,ENGINE HOOD CUSHION,LH	2	D01 D02 D03 D22 D23 D24 D43 D44 D46 D47 D48 D49 D50 D65 D66	不锈钢
10	5006011-D01	左前轮眉 FRONT WHEEL OPENING MOULDING,LH (STAINLESS STEEL)	1		



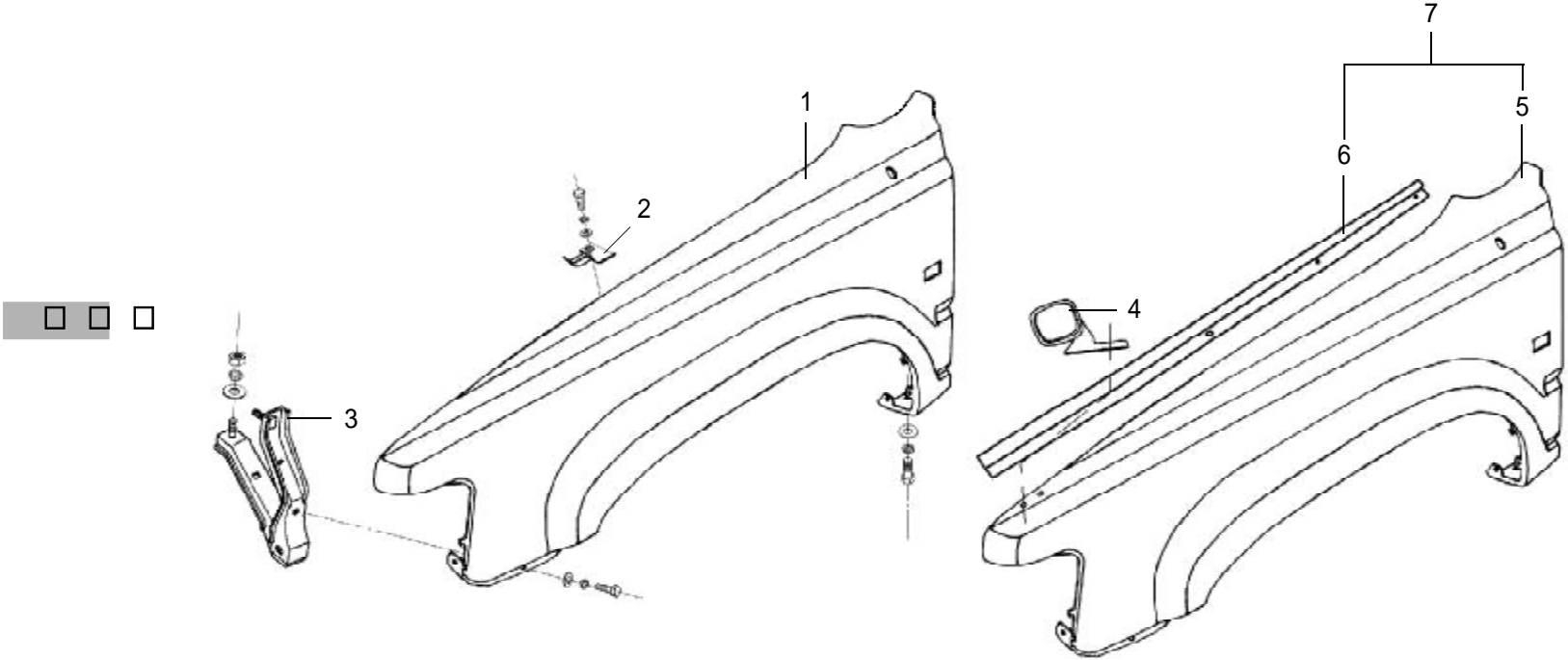
右前翼子板总成 (一) RIGHT FRONT FENDER ASSEMBLY (1)

序号 S/N	零部件代号 PART CODE	零部件名称 PART NAME	用量 QTY	适用车型 VEHICLE APPLICABLE TO	备注 REMARK
2	8403015-D01	前翼子板衬垫 CUSHION,FRONT FENDER	1	D01 D02 D03 D04 D06 D19 D21 D50 D65 D66	
3	8403026-D01	右前轮防溅垫 FRONT WHEEL SPLASH GUARD,RH	1	D22 D23 D24 D43 D44 D46 D47 D48 D49	
	8403026-D22	右前轮防溅垫 FRONT WHEEL SPLASH GUARD,RH			
4	8403035-D01	塑料卡子 PLASTIC CLIP	2	D01 D02 D03 D04 D06 D19 D21 D22 D23 D24 D43 D44 D46 D47 D48 D49 D50 D65 D66	
5	8403034-D01	塑料卡子 PLASTIC CLIP	3		
6	8403028-D01	右前轮挡泥板 FRONT WHEEL MUDGUARD, RH	1	D07 D08	
	8403028-D07	右前轮挡泥板 FRONT WHEEL MUDGUARD, RH			
7	8403036-D01	方扣 17 CLIP 17	1	D01 D02 D03 D04 D06 D19 D21 D22 D23 D24 D43 D44 D46 D47 D48 D49 D50 D65 D66	
<input type="checkbox"/>	<input type="checkbox"/> 8	发动机罩方型减震胶垫 DAMPING BLOCK,ENGINE HOOD	2		
9	8403022-D01	右减震垫支架 BRACKET,ENGINE HOOD CUSHION,RH	2	D04 D06 D19 D21 D22 D23 D24 D43 D44 D46 D47 D48 D49	
10	5006012-D01	右前轮眉 FRONT WHEEL OPENING MOULDING,RH (STAINLESS STEEL)	1	D01 D02 D03 D22 D23 D24 D43 D44 D46 D47 D48 D49 D50 D65 D66	不锈钢
11	8403012-D22	右翼子板 FRONT FENDER,RH (NEW MODEL AND WITHOUT SIDE TURN LAMP HOLE)	1	D43 D44 D46 D47 D48 D49	新款无侧转向灯孔
	8403012-D22-C1	右翼子板 FRONT FENDER,RH (WITH SIDE TURN LAMP HOLE)		D22 D23 D24 D25 D27 D37 D38 D40	有侧转向灯孔
	8403012-D45	右翼子板 FRONT FENDER,RH (WITH ANTENNA MOUNTING HOLE)		D47 D48 D49	有天线安装孔
12	8202302-D22	右辅助外后视镜 AUXILIARY MIRROR,RH (WITHOUT FINISH PAINT)	1	D22 D23 D24 D47	白皮



 每天进步一点点

翼子板总成 (二) FRONT FENDER ASSEMBLY (2)



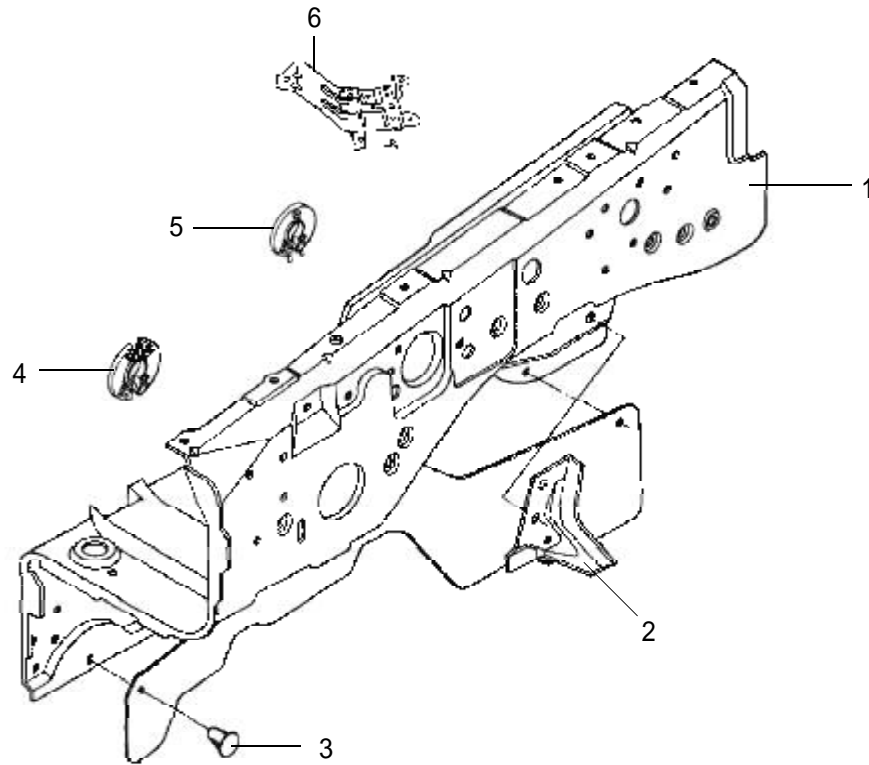
每天进步一点点

翼子板总成 (二) FRONT FENDER ASSEMBLY (2)

序号 S/N	零部件代号 PART CODE	零部件名称 PART NAME	用量 QTY	适用车型 VEHICLE APPLICABLE TO	备注 REMARK	
1	8403011-D01	左翼子板 FRONT FENDER,LH (MODEL 2003)	1	D01 D02 D03 D04 D06 D07 D08 D16 D17 D18 D19 D21 D50 D65 D66	2003 款	
	8403011-D01-B1	左翼子板 FRONT FENDER,LH (MODEL 2004)			2004 款	
	8403012-D01	右翼子板 FRONT FENDER ,RH (MODEL 2003)	1		2003 款	
2	8403021-D01	左减震垫支架 BRACKET,CUSHION BLOCK,LH (MODEL 2003)	2		2003 款	
	8403022-D01	右减震垫支架 BRACKET,CUSHION BLOCK,RH (MODEL 2003)			2003 款	
3	8403017-D01	左翼子板支架 BRACKET,FRONT FENDER,LH (MODEL 2003)	1		2003 款	
	8403018-D01	右翼子板支架 BRACKET,FRONT FENDER,RH (MODEL 2003)		2003 款		
4	8202301-D75	左辅助后视镜 AUXILIARY MIRROR,LH (SAME AS THE COLOR OF THE LEARNER DRIVEN VEHICLE BODY)	1	D70 D71 D72 D73 D74 D75	教练车用随车身颜色	
	8202302-D75	右辅助后视镜 AUXILIARY MIRROR,RH (SAME AS THE COLOR OF THE LEARNER DRIVEN VEHICLE BODY)	1			
5	8403011-D75	左翼子板 FRONT FENDER,LH (FOR THE LEARNER DRIVEN VEHICLE)	1		教练车用	
	8403012-D75	右翼子板 FRONT FENDER,RH (FOR THE LEARNER DRIVEN VEHICLE)	1			
6	8400041-D66	左前翼子板密封胶条 SEALING STRIP,FRONT FENDER,LH	1			D66
	8400042-D66	右前翼子板密封胶条 SEALING STRIP,FRONT FENDER,RH	1			D66



挡泥板总成 MUDGUARD ASSEMBLY

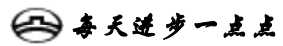
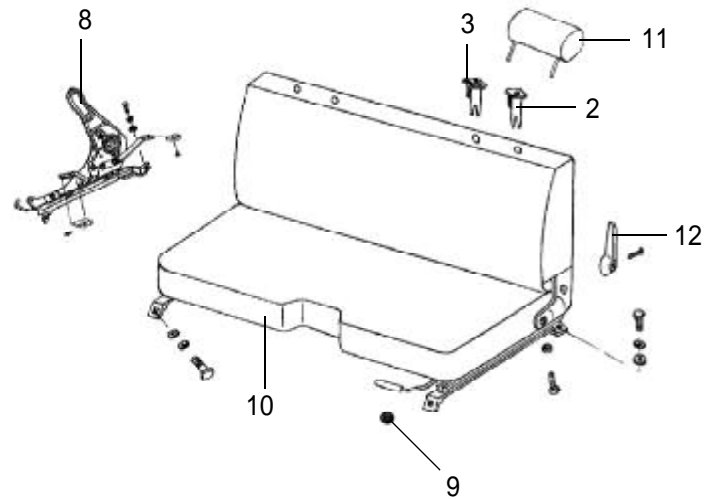
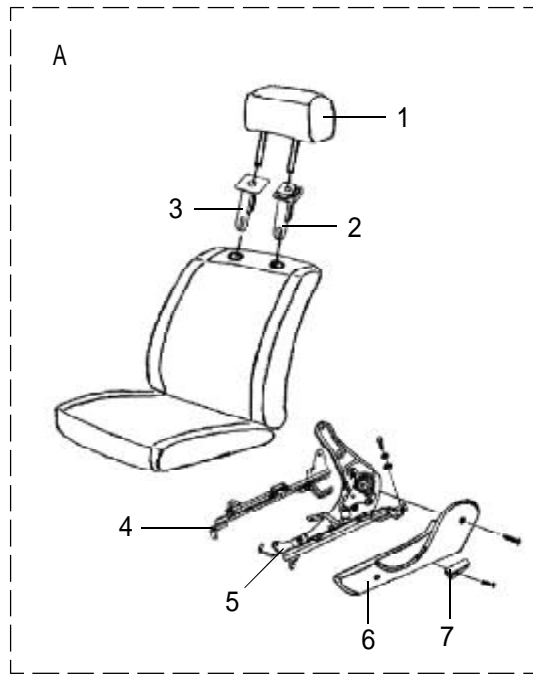


挡泥板总成 MUDGUARD ASSEMBLY

序号 S/N	零部件代号 PART CODE	零部件名称 PART NAME	用量 QTY	适用车型 VEHICLE APPLICABLE TO	备注 REMARK
1	8400500-D01	左挡泥板总成 MUDGUARD ASSEMBLY, LH	1	D01 D02 D03 D04 D06 D07 D08	
	8400600-D01	右挡泥板总成 MUDGUARD ASSEMBLY, RH	1	D19 D21 D22 D23 D24 D43 D44 D46 D47 D48 D49 D50 D65	
	8400600-D17	右挡泥板总成 MUDGUARD ASSEMBLY, RH (BATTERY CARRIER LENGTHENED)		D16 D17 D18 D19 D21	电瓶托板加长
	8400500-D66	左挡泥板总成 MUDGUARD ASSEMBLY, LH	1	D66	
	8400600-D66	右挡泥板总成 MUDGUARD ASSEMBLY, RH	1		
2	8400011-D01	发动机舱左加强板 ENGINE COMPARTMENT REINFORCEMENT PLATE,LH	1	D01 D02 D03 D04 D06 D19 D21 D22 D23 D24 D43 D44 D46 D47 D48 D49 D50 D65 D66	
	8400012-D01	发动机舱右加强板 ENGINE COMPARTMENT REINFORCEMENT PLATE,RH	1		
3	8403037-D01	塑扣 S-21B CLIPS-21B	10		
4	4011016-D01	固线卡子六 CLIP,NO.6	2	D01 D02 D03 D04 D06 D19 D21	
5	4011015-D01	固线卡子五 CLIP,NO.5	1	D22 D23 D24 D43 D44 D46 D47 D48 D49 D50 D65	
6	8400024-F04	空气滤清器安装板 MOUNTING PLATE,AIR FILTER	1	D50 D65	



前排座椅总成 FRONT SEAT ASSEMBLY



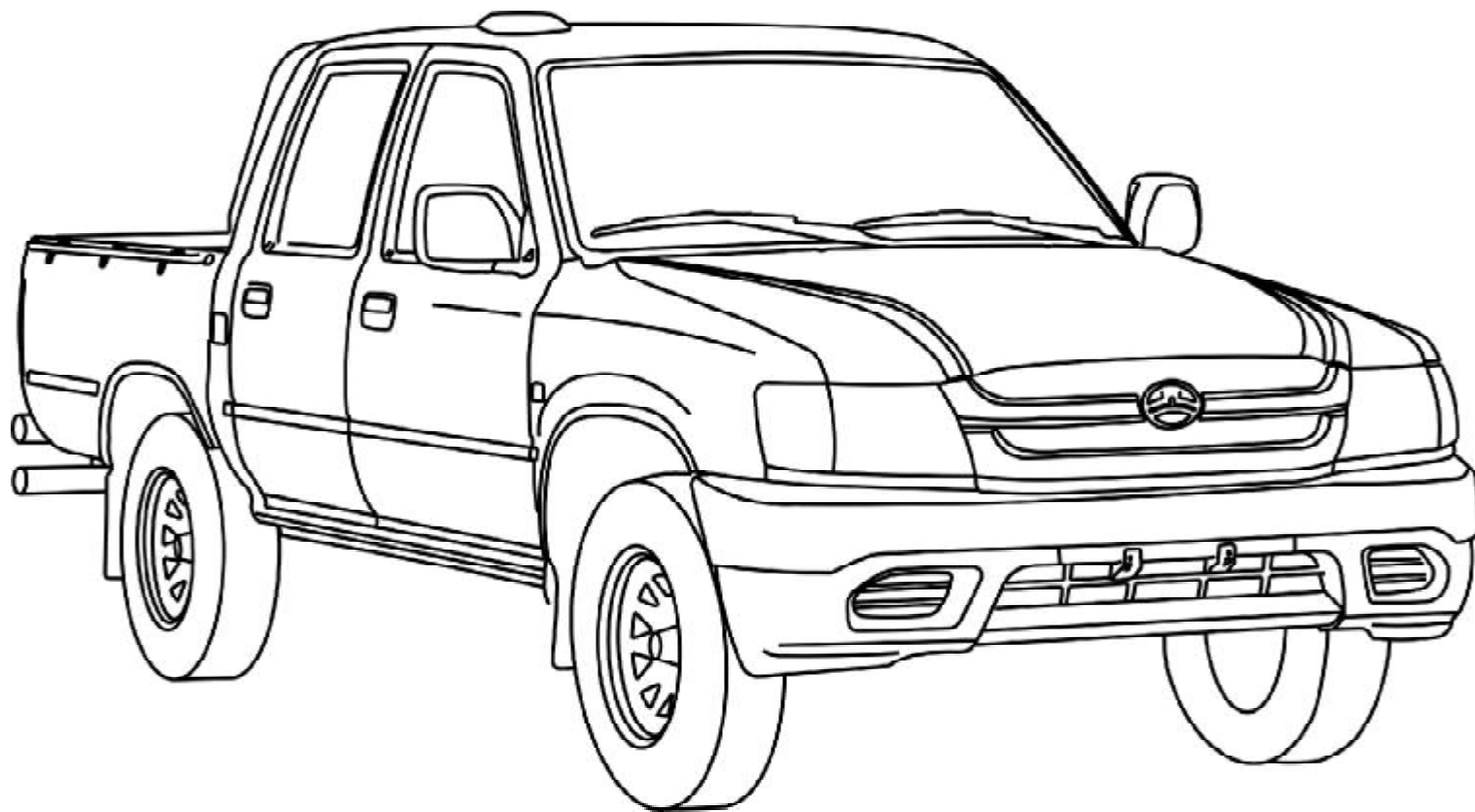
前排座椅总成 FRONT SEAT ASSEMBLY

序号 S/N	零部件代号 PART CODE	零部件名称 PART NAME	用量 QTY	适用车型 VEHICLE APPLICABLE TO	备注 REMARK
A	6800010-D01-0314	司机座椅总成 DRIVER SEAT ASSEMBLY (FABRIC AND LIGHT COFFEE)	1	D01 D02 D03 D50 D65	布质浅咖啡
	6800010-D07-0314	司机座椅总成 DRIVER SEAT ASSEMBLY (LEATHER AND LIGHT COFFEE)			皮质浅咖啡
	6800010-D01-0110	司机座椅总成 DRIVER SEAT ASSEMBLY (EXPORT,FABRIC AND RED)		迪尔出口车用	布质红色
	6800010-D06-B1-0314	司机座椅总成 DRIVER SEAT ASSEMBLY (LEATHER AND YELLOW)		D06 D21	皮质浅咖啡
	6900010-D06-B1-0314	副司机座椅总成 ASSISTANT DRIVER SEAT ASSEMBLY (LEATHER AND YELLOW)	1	D06 D21	皮质浅咖啡
	6900010-D01-0110	副司机座椅总成 ASSISTANT DRIVER SEAT ASSEMBLY (EXPORT,FABRIC AND RED)			出口车专用
	6900010-D07-0314	副司机座椅总成 ASSISTANT DRIVER SEAT ASSEMBLY (LEATHER AND LIGHT COFFEE)		D01 D02 D03 D50 D65	皮质浅咖啡
	6900010-D01-0314	副司机座椅总成 ASSISTANT DRIVER SEAT ASSEMBLY (FABRIC AND LIGHT COFFEE)			布质浅咖啡
1	6808100-D01-B1-0314	前座椅头枕总成 FRONT SEAT HEAD REST ASSEMBLY (LEATHER AND YELLOW)	2	D01 D02 D03 D50 D65	皮质浅咖啡色
	6808100-D01-0110	前座椅头枕总成 FRONT SEAT HEAD REST ASSEMBLY (FABRIC AND RED)			D43 D44 D46 D47
	6808100-D01-B1-0110	前座椅头枕总成 FRONT SEAT HEAD REST ASSEMBLY (LEATHER AND RED)		D43 D44 D45 D46	皮质红色
2	6808102-D01-0314	可调枕心插头座 ADJUSTABLE HEAD RESTRAINT SUPPORT (LIGHT COFFEE)	2	D01 D02 D03 D50 D65	浅咖啡色
	6808102-D01-0110	可调枕心插头座 ADJUSTABLE HEAD RESTRAINT SUPPORT (RED)			D43 D44 D46 D47
3	6808101-D01-0314	枕心插头座 HEAD RESTRAINT SUPPORT (LIGHT COFFEE)	2	D01 D02 D03 D50 D65	浅咖啡色
	6808101-D01-0110	枕心插头座 HEAD RESTRAINT SUPPORT (RED)			红
4	6904012-D01	副司机座椅滑道 ASSISTANT DRIVER SEAT TRACK	1	D01 D02 D03 D22 D23 D24 D50 D65	



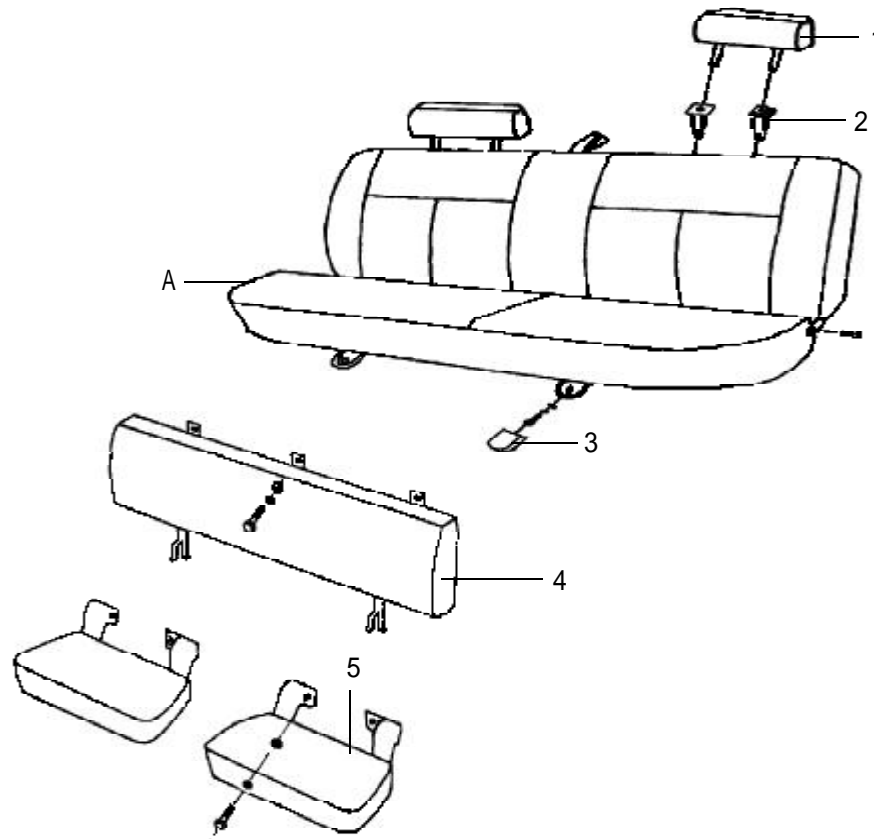
前排座椅总成 FRONT SEAT ASSEMBLY

序号 S/N	零部件代号 PART CODE	零部件名称 PART NAME	用量 QTY	适用车型 VEHICLE APPLICABLE TO	备注 REMARK
5	6804011-D01	司机座椅调角器 TILT ADJUSTER,DRIVER SEAT	1	D01 D02 D03 D50 D65	
	6904011-D01	副司机座椅调角器 TILT ADJUSTER ,ASSISTANT DRIVER SEAT	1	D01 D02 D03 D50 D65	
6	6804013-D01-0314	司机座椅调角器外壳 TRIM COVER,TILT ADJUSTER,DRIVER SEAT (LIGHT COFFEE)	1	D01 D02 D03 D50 D65	浅咖啡色
	6804013-D01-0110	司机座椅调角器外壳 TRIM COVER,TILT ADJUSTER,DRIVER SEAT (EXPORT,RED)		出口车专用	红色
	6904013-D01-0314	副司机座椅调角器外壳 TRIM COVER,TILT ADJUSTER,ASSISTANT DRIVER SEAT (LIGHT COFFEE)		D01 D02 D03 D50 D65	浅咖啡色
7	6804014-D01-0314	调角器把手 RECLINING ADJUSTER RELEASE HANDLE (LIGHT COFFEE)	1	D01 D02 D03 D50 D65	浅咖啡色
	6804014-D01-0110	调角器把手 RECLINING ADJUSTER RELEASE HANDLE (EXPORT,RED)		出口车专用	红色
8	6804011-D04	司机调角器总成 DRIVER SEAT ADJUSTER ASSEMBLY	1	D04 D19	
	6904011-D04	副司机调角器总成 ASSISTANT DRIVER SEAT ADJUSTER ASSEMBLY	1		
9	6800021-D01-0314	前座椅螺栓盖 GARNISH COVER (LIGHT COFFEE)	4	D01 D02 D03 D50 D65	浅咖啡色
	6800021-D01-0110	前座椅螺栓盖 GARNISH COVER (RED)			红色
10	6900010-D06-0310	连体座椅总成 INTEGRATED SEAT ASSEMBLY	1	D06 D21	
	6900010-D06-0314	连体座椅总成 INTEGRATED SEAT ASSEMBLY (LEATHER)			皮质
	6800040-D01-0110	连体座椅总成 INTEGRATED SEAT ASSEMBLY (RED)	1	D01	红色
11	6908100-D06-0310	座椅头枕总成 SEAT HEAD REST ASSEMBLY	2	D06 D21	
12	6804011-D06-0110	调角器把手 RECLINING ADJUSTER RELEASE HANDLE (RED,INTEGRATED)	2	D06 D21	红色, 连体



 每天进步一点点

后排座椅总成 REAR SEAT ASSEMBLY

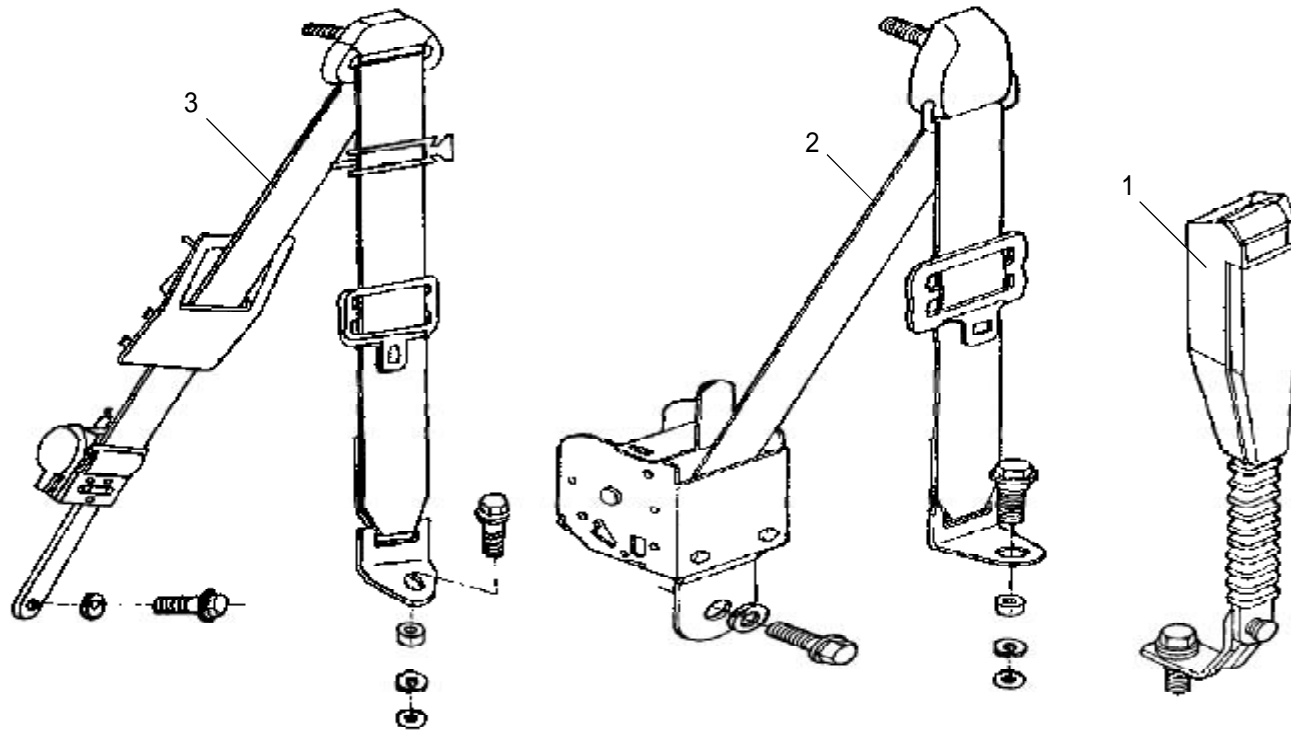



后排座椅总成 REAR SEAT ASSEMBLY

序号 S/N	零部件代号 PART CODE	零部件名称 PART NAME	用量 QTY	适用车型 VEHICLE APPLICABLE TO	备注 REMARK	
A	7050010-D01-0314	后排座椅总成 REAR SEAT ASSEMBLY (FABRIC , LIGHT COFFEE)	1	D01 D02 D03 D50 D65	布浅咖啡色	
	7050010-D01-0110	后排座椅总成 REAR SEAT ASSEMBLY (FABRIC AND RED)			布质红色	
	7050010-D04-0803	后排座椅总成 REAR SEAT ASSEMBLY (FABRIC AND CREAM-COLORED)			D47	布质米黄
	7050010-D07-0314	后排座椅总成 REAR SEAT ASSEMBLY (LEATHER AND LIGHT COFFEE)			D01 D02 D03 D50 D65	皮质浅咖啡色
	7050031-D01-0314	后排座椅套 REAR SEAT COVER (LEATHER, LIGHT COFFEE)	1	D43 D44 D45 D46	皮质浅咖啡色	
1	7058100-D01-0314	后排座椅头枕总成 REAR SEAT HEAD REST ASSEMBLY (FABRIC AND LIGHT COFFEE)	2	D01 D02 D03 D50 D65	布质浅咖啡色	
	7058100-D43-0311	后排座椅头枕总成 REAR SEAT HEAD REST ASSEMBLY (FABRIC AND YELLOW)			D43 D44 D45 D46	布质黄色
1	7058100-D01-B1-0110	后排座椅头枕总成 REAR SEAT HEAD REST ASSEMBLY (LEATHER AND RED)	2	D43 D44 D45 D46	皮质红色	
2	7058101-D01-0314	枕芯插头座 HEAD RESTRAINT SUPPORT (LIGHT COFFEE)	2	D01 D02 D03 D50 D65	浅咖啡色	
3	7050021-D01-0314	后排座椅螺栓盖 GARNISH COVER (LIGHT COFFEE)	4		浅咖啡色	
	7050021-D01-0110	后排座椅螺栓盖 GARNISH COVER (RED)			红色	
4	7055100-D04-0310	后排座椅靠背总成 REAR SEAT BACKREST (YELLOW)	1	D04 D47	黄色	
5	7053100-D04-0310	后排座椅座垫总成 REAR SEAT CUSHION (YELLOW)	2			



安全带总成 SEAT BELT ASSEMBLY



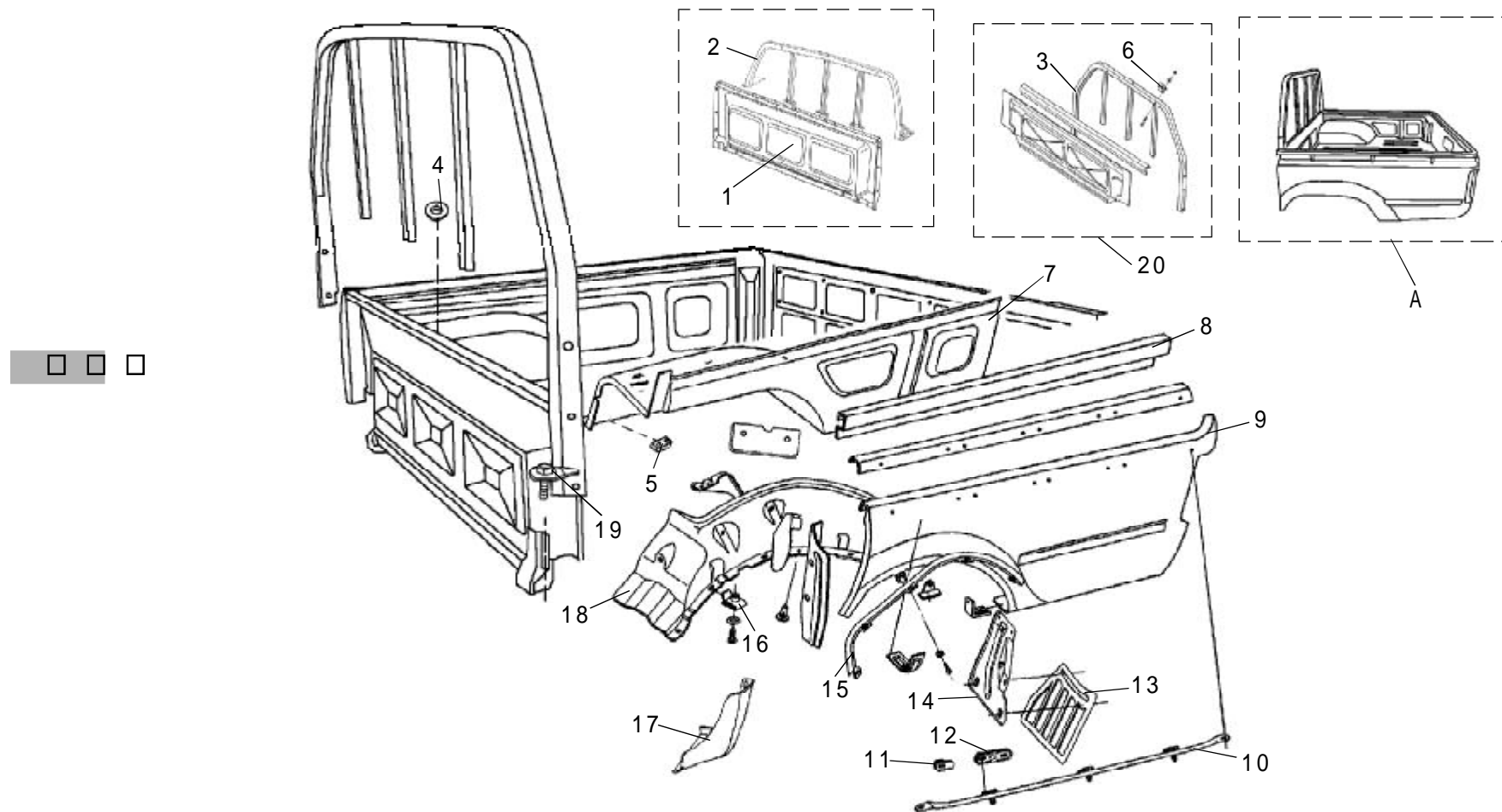
 每天进步一点点

安全带总成 SEAT BELT ASSEMBLY

序号 S/N	零部件代号 PART CODE	零部件名称 PART NAME	用量 QTY	适用车型 VEHICLE APPLICABLE TO	备注 REMARK
1	5811030-D01-B1-0110	前排安全带锁止器总成 FRONT SEAT BELT BUCKLE ASSEMBLY (EXPORT ,RED ,REGION IS WARNING)	2	出口车专用	红色带报警
	5811022-D01 -0110	前排安全带锁止器总成 FRONT SEAT BELT BUCKLE ASSEMBLY (EXPORT,RED ,TWO POINT TYPE)		出口车专用	红色 (两点式)
	5811030-D01-0314	前排安全带锁止器总成 FRONT SEAT BELT BUCKLE ASSEMBLY (MODEL 2003, LIGHT COFFEE)		D01 D02 D03 D50 D65 D66	2003 款浅咖啡色
	5811110-D06-0314	前排安全带锁止器总成 FRONT SEAT BELT BUCKLE ASSEMBLY		D06 D21	
	5811030-D01-B1-0314	前排安全带锁止器总成 FRONT SEAT BELT BUCKLE ASSEMBLY (EXPORT , LIGHT COFFEE ,REGION IS WARNING)		出口车专用	浅咖啡带报警
2	5811010-D01-0110	前排安全带总成 FRONT SEAT BELT ASSEMBLY (EXPORT,RED)	2	出口车专用	红色
	5811010-D01-0314	前排安全带总成 FRONT SEAT BELT ASSEMBLY (MODEL 2003,LIGHT COFFEE)		D01 D02 D03 D50 D65 D66	2003 款浅咖啡色
	5811010-D01-B1-0110	前排安全带总成 FRONT SEAT BELT ASSEMBLY (EXPORT,RED,TWO POINT TYPE))		出口车专用	红色 (两点式)
3	5811011-D04-0314	左前安全带 FRONT SEAT BELT,LH (MODEL 2003,LIGHT COFFEE)	1	D04 D19	2003 款浅咖啡色
	5811012-D04-0314	右前安全带 FRONT SEAT BELT,RH (MODEL 2003,LIGHT COFFEE)	1		2003 款浅咖啡色
	5811130-D06-0314	前排安全带总成 FRONT SEAT BELT ASSEMBLY	2	D06 D21	



车箱总成 CARGO BODY ASSEMBLY



每天进步一点点

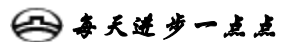
车箱总成 CARGO BODY ASSEMBLY

序号 S/N	零部件代号 PART CODE	零部件名称 PART NAME	用量 QTY	适用车型 VEHICLE APPLICABLE TO	备注 REMARK	
A	8500000-D01	车箱总成 CARGO BODY ASSEMBLY (OUTSIDE ROPE HOOK)	1	D01 D16 D50 D66	外绳钩式	
	8500000-D01	车箱总成 CARGO BODY ASSEMBLY (MODEL 2002,STANDARD CAB)		D22	2002 款小双	
	8500000-D23	车箱总成 CARGO BODY ASSEMBLY (LARGE DOUBLE CAB)		D23 D25 D26	大双	
	8500000-D17	车箱总成 CARGO BODY ASSEMBLY (MODEL 2003,LARGE DOUBLE CAB)		D02 D04 D05 D17 D19 D65	2003 款大双	
	8500000-D24	车箱总成 CARGO BODY ASSEMBLY (MODEL 2002,MIDDLE DOUBLE CAB)		D24	2002 款中双	
	8500000-D75	车箱总成 CARGO BODY ASSEMBLY (MODEL 2003,MIDDLE DOUBLE CAB)		D03	2003 款中双	
	8500200-D06	车箱总成 CARGO BODY ASSEMBLY (MODEL 2003, LARGE SINGLE CAB)		D06 D21	2003 款大单	
1	8504100-D17	车箱前板总成 FRONT BOARD ASSEMBLY,CARGO BODY	1	D17		
2	8509300-D17	车箱护栏总成 CARGO BODY FENDER ASSEMBLY	1	D02 D03 D17 D18 D63 D64 D75 D65		
3	8509030-D06	车箱护栏总成 CARGO BODY FENDER ASSEMBLY	1	D06 D21		
4	8501018-D01	车箱底板胶堵 RUBBER PLUG ,CARGO BODY CARGO FLOOR	2	D01 D02 D03 D22 D23 D24 D43 D44 D46 D47 D48 D49 D50 D65 D66		
	8500011-D17	车箱底板胶堵 RUBBER PLUG ,CARGO BODY CARGO FLOOR				
5	8501019-D01	车箱悬置方形垫块 CUSHION BLOCK	6			
6	8504011-D01	槽形体 CHANNEL BODY	2	D06 D21		
	8509100-D06	槽形体 CHANNEL BODY				
7	8502130-D01	车箱左边板内板总成 INNER PANEL ASSEMBLY ,CARGO BODY SIDE GATE,LH	1	D01 D43 D50 D66		
	8502030-D17	车箱左边板内板总成 INNER PANEL ASSEMBLY ,CARGO BODY SIDE GATE,LH			D02 D17 D23 D25 D26 D46 D47 D65	
	8502030-D75	车箱左边板内板总成 INNER PANEL ASSEMBLY ,CARGO BODY SIDE GATE,LH			D03 D45	



车箱总成 CARGO BODY ASSEMBLY

序号 S/N	零部件代号 PART CODE	零部件名称 PART NAME	用量 QTY	适用车型 VEHICLE APPLICABLE TO	备注 REMARK
7	8502030-D06	车箱左边板内板总成 INNER PANEL ASSEMBLY ,CARGO BODY SIDE GATE,LH	1	D06 D21	
	8502140-D01	车箱右边板内板总成 INNER PANEL ASSEMBLY ,CARGO BODY SIDE GATE,RH		D01 D43 D50 D66	
	8502040-D17	车箱右边板内板总成 INNER PANEL ASSEMBLY ,CARGO BODY SIDE GATE,RH		D02 D17 D23 D25 D26 D46 D47 D49 D65	
	8502040-D75	车箱右边板内板总成 INNER PANEL ASSEMBLY,CARGO BODY SIDE GATE,RH		D03 D45	
	8502040-D06	车箱右边板内板总成 INNER PANEL ASSEMBLY,CARGO BODY SIDE GATE,RH		D06 D21	
8	8502131-D01	车箱左内外板连接板 CONNECTING PLATE,CARGO BODY SIDE GATE,LH	1	D01 D43 D50 D66	
	8502511-D17	车箱左内外板连接板 CONNECTING PLATE,CARGO BODY SIDE GATE,LH		D17	
	8502132-D01	车箱右内外板连接板 CONNECTING PLATE,CARGO BODY SIDE GATE,RH	1	D01 D43 D50 D66	
	8502512-D17	车箱右内外板连接板 CONNECTING PLATE,CARGO BODY SIDE GATE,RH		D17	
9	8502101-D01	车箱左边板外板 OUTER PANEL,CARGO BODY SIDE GATE,LH	1	D01 D43 D44 D50 D66	
	8502101-D17	车箱左后弯角 OUTER PANEL,CARGO BODY SIDE GATE,LH	1	D02 D17 D23 D25 D26 D46 D47 D49 D65	
	8502102-D01	车箱右边板外板 OUTER PANEL,CARGO BODY SIDE GATE,RH	1	D01 D43 D44 D50 D66	
	8502102-D17	车箱右后弯角 OUTER PANEL,CARGO BODY SIDE GATE,RH	1	D02 D04 D05 D23 D25 D26 D46 D47 D65	
10	8509100-D01	车箱左外绳钩总成 OUTSIDE ROPE HOOK ASSEMBLY,CARGO BODY,LH	1	D01 D22 D43 D44 D50 D66	
	8509100-D01	车箱右外绳钩总成 OUTSIDE ROPE HOOK ASSEMBLY,CARGO BODY,RH	1		



车箱总成 CARGO BODY ASSEMBLY

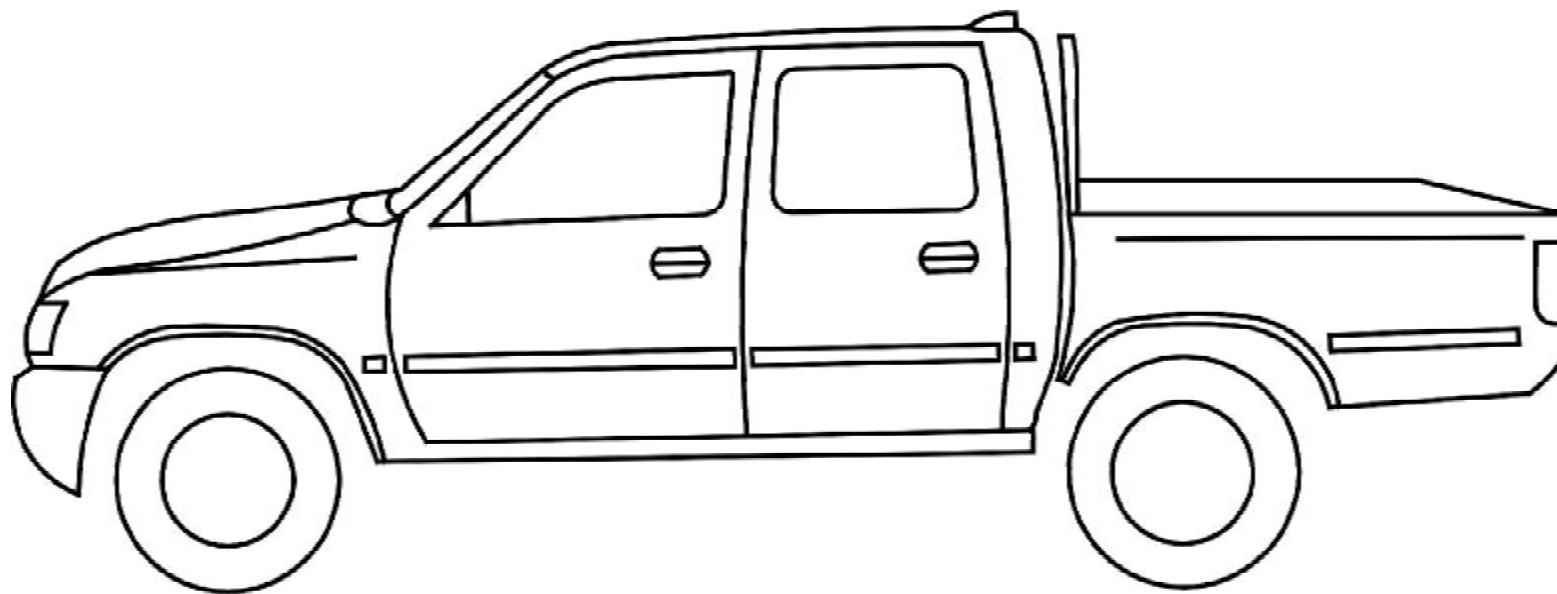
序号 S/N	零部件代号 PART CODE	零部件名称 PART NAME	用量 QTY	适用车型 VEHICLE APPLICABLE TO	备注 REMARK
10	8509100-D17	车箱左外绳钩总成 OUTSIDE ROPE HOOK ASSEMBLY,CARGO BODY,LH	2	D02 D17 D23 D30 D38 D46 D65	
11	8509012-D01	车箱外绳钩安装垫一 SETTING CUSHION NO.2,OUTSIDE ROPE HOOK	4	D01 D02 D03 D22 D23 D44 D45 D46 D47 D48 D49 D50 D65 D66	
12	8509012-D01	车箱外绳钩安装垫二 SETTING CUSHION NO.2,OUTSIDE ROPE HOOK	8	D01 D02 D03 D22 D23 D44 D45 D46 D47 D48 D49 D50 D65 D66	
13	8511013-D01	车箱左后轮挡泥板 REAR WHEEL MUDGUARD,LH	1	D01 D02 D03 D04 D06 D19 D21 D22 D23 D44 D45 D46 D47 D48 D49 D50 D65 D66	
	8511014-D01	车箱右后轮挡泥板 REAR WHEEL MUDGUARD,RH	1		
	8511013-D07	车箱左后轮挡泥板 REAR WHEEL MUDGUARD,LH	1	D07 D08 D10 D12 D13 D15	
	8511014-D07	车箱右后轮挡泥板 REAR WHEEL MUDGUARD,RH	1		
14	8511017-D01	车箱左挡泥板支架 BRACKET,MUDGUARD,LH	1	D01 D02 D03 D22 D23 D24 D43 D44 D46 D47 D48 D49 D50 D65 D66	
	8511018-D01	车箱右挡泥板支架 BRACKET,MUDGUARD,RH	1		
15	5006013-D01	左后轮眉 REAR WHEEL OPENING MOULDING,LH (STAINLESS STEEL)	1		不锈钢
	5006014-D01	右后轮眉 REAR WHEEL OPENING MOULDING,RH (STAINLESS STEEL)	1		不锈钢
16	8403035-D01	塑料单卡子 CLIP (SINGLE)	2	D01 D02 D03 D04 D06 D19 D21 D22 D23 D24 D43 D44 D46 D47 D48 D49 D50 D65 D66	
	8403034-D01	塑料双卡子 CLIP (DUAL)	3		
17	5006031-D17-0803	车箱左轮弧前包角 END COVER,WHEEL ARCH,CARGO BODY,LH (BLACK)	1	D02 D03 D17 D18 D23 D46 D63 D64 D65	黑色
	5006032-D17-0803	车箱右轮弧前包角 END COVER, WHEEL ARCH,CARGO BODY,RH (BLACK)	1		黑色
18	8511011-D01	车箱左后轮防溅垫 REAR WHEEL SPLASH GUARD,LH (STANDARD CAB)	1	D01 D07 D16 D22 D23 D24 D43 D44 D50 D62 D65	小双
	8511012-D01	车箱右后轮防溅垫 REAR WHEEL SPLASH GUARD,RH (STANDARD CAB)			




车箱总成 CARGO BODY ASSEMBLY

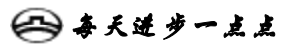
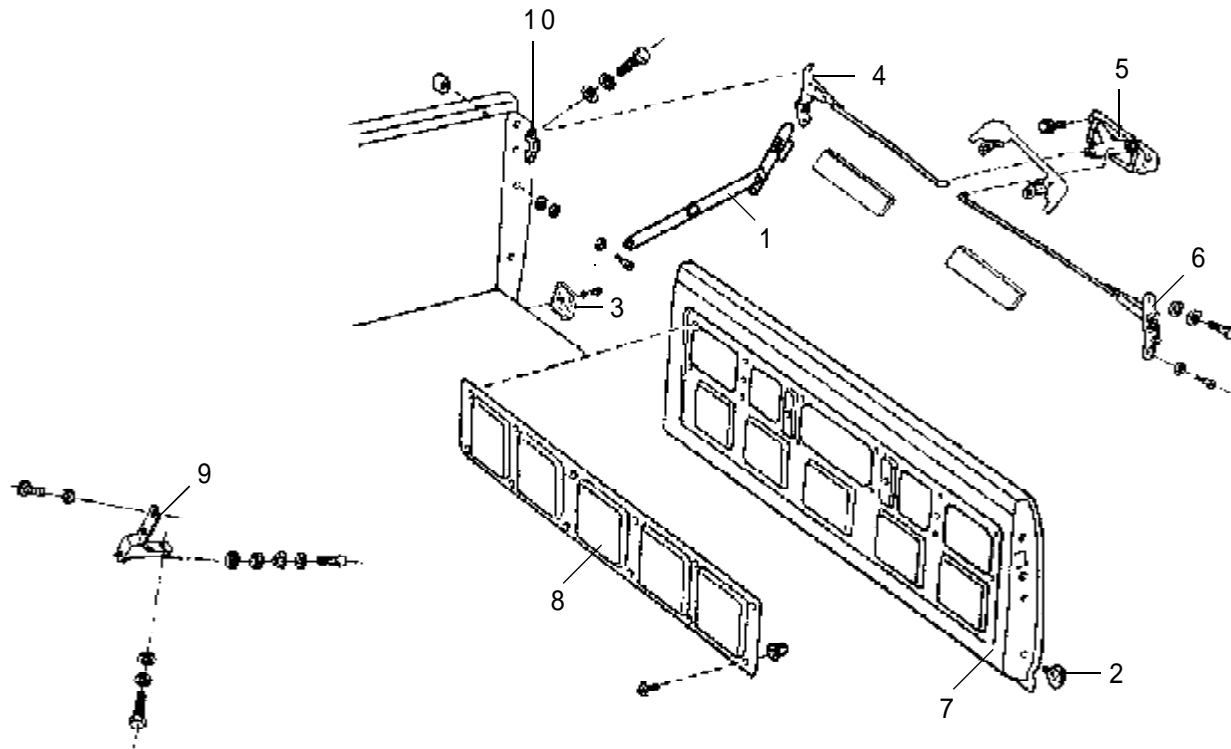
序号 S/N	零部件代号 PART CODE	零部件名称 PART NAME	用量 QTY	适用车型 VEHICLE APPLICABLE TO	备注 REMARK
18	8511102-D06	车箱右后轮防溅垫 REAR WHEEL SPLASH GUARD,RH	1	D06 D21	
	8511101-D06	车箱左后轮防溅垫 REAR WHEEL SPLASH GUARD,LH		D06 D21	
	8511011-D17	车箱左后轮防溅垫 REAR WHEEL SPLASH GUARD,LH (LARGE DOUBLE CAB)		D02 D03 D08 D17 D18 D22 D23 D24 D43 D44 D63 D64 D65	大双
	8511012-D17	车箱右后轮防溅垫 REAR WHEEL SPLASH GUARD,RH (LARGE DOUBLE CAB)			大双
19	8501017-D01	车箱专用螺栓 SPECIAL BOLT	4	D01 D02 D03 D22 D23 D24 D43 D44 D46 D47 D48 D49 D50 D65 D66	
20	8504100-D01	车箱前板总成 FRONT BOARD ASSEMBLY,CARGO BODY	1	D01 D16 D17 D D43 D62 D50 D66	
	8504101-D06	车箱前板 FRONT BOARD,CARGO BODY		D06 D21	





 每天进步一点点

车箱后板总成 CARGO BODY TAIL GATE ASSEMBLY

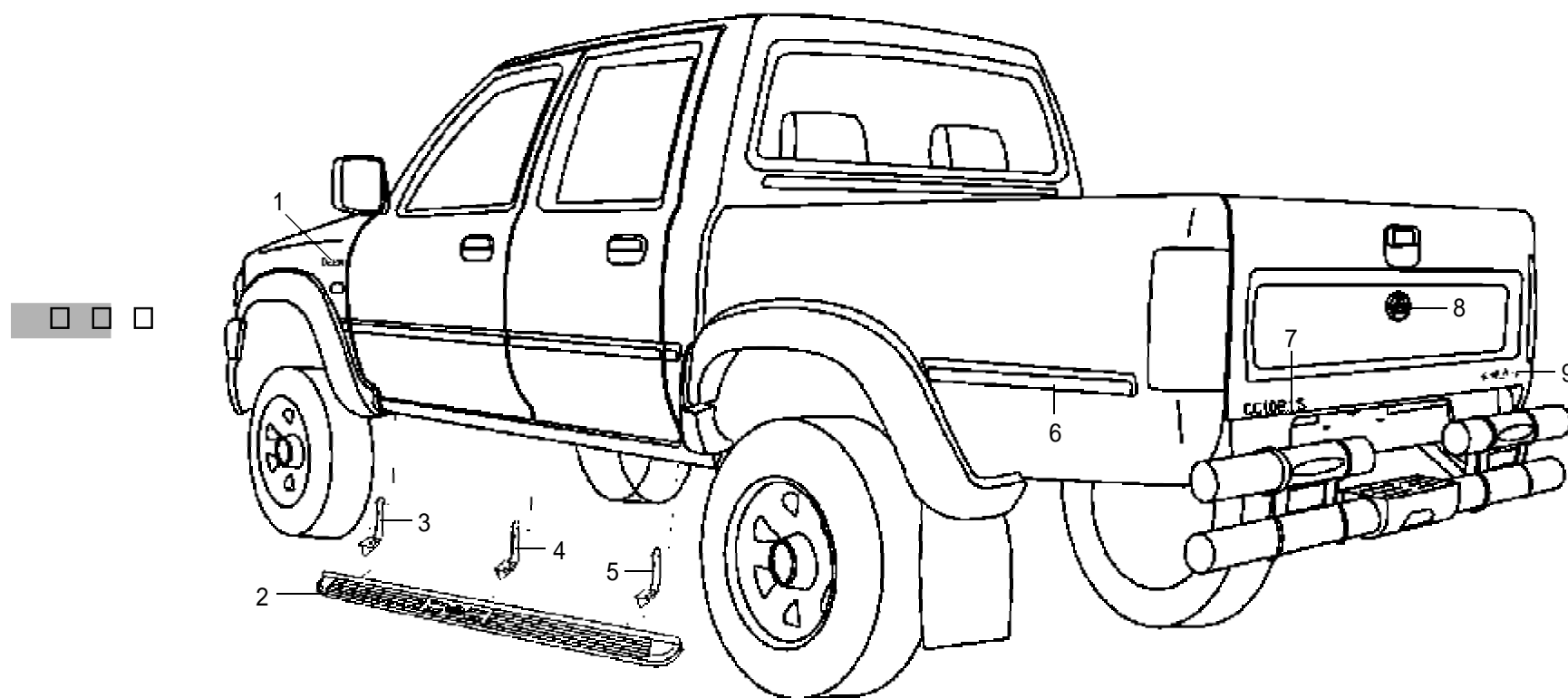



车箱后板总成 CARGO BODY TAIL GATE ASSEMBLY

序号 S/N	零部件代号 PART CODE	零部件名称 PART NAME	用量 QTY	适用车型 VEHICLE APPLICABLE TO	备注 REMARK
	8505100-D01	车箱后板锁体总成 CARGO BODY LOCK ASSEMBLY (INCLUDE NUMBER 4、6 AND 10)	1	D01 D02 D03 D22 D23 D24 D43 D44 D46 D47 D48 D49 D50 D65 D66	含序号 4、6、10
1	8503400-D01	车箱拉链分总成 CARGO BODY TAIL PLATE STAY SUBASSEMBLY (NEW MODEL)	2	D01 D02 D03 D04 D06 D19 D21 D22 D43 D45 D46 D47 D48 D49 D50 D65 D66	新款
2	8503015-D01	车箱减震卡子 SHOCK ABSORBING CLIP	2	D04 D06 D19 D21 D43 D44 D45 D46	82*74
3	8503012-D01	车箱后围板胶块 RUBBER BLOCK	2	D01 D22 D43 D44 D45 D46 D47 D48 D49 D50 D66	
4	8505140-D01	车箱后板右侧锁体总成 LOCK BLOCK ASSEMBLY,RH	1		
5	8503300-D01	车箱锁外把手总成 TAIL PLATE LOCK LINK SNAP ASSEMBLY	1		
	8503500-D01	车箱锁外扣手总成 TAIL PLATE LOCK LINK SNAP ASSEMBLY (OLD MODEL)	1	D22	老款
6	8505130-D01	车箱后板左侧锁体总成 LOCK BLOCK ASSEMBLY,LH	1	D01 D02 D03 D22 D23 D24 D43 D44 D46 D47 D48 D49 D50 D65 D66	
7	8503100-D01	车箱后板总成 CARGO BODY TAIL GATE ASSEMBLY	1		
	8503100-D01-B1	车箱后板总成 CARGO BODY TAIL GATE ASSEMBLY(OLD MODEL)		D22	老款
	8503100-D06	车箱后板总成 CARGO BODY TAIL GATE ASSEMBLY		D06 D21	
8	8503011-D01	车箱后板盖板 COVER PLATE,CARGO BODY TAIL GATE	1	D01 D02 D03 D22 D23 D24 D43 D44 D46 D47 D48 D49 D50 D65 D66	
	8503129-D06	车箱后板 CARGO BODY TAIL GATE		D06 D21	
9	8503031-D01	车箱后板左铰链 HINGE,CARGO BODY TAIL GATE,LH	1	D43 D44 D45 D46 D47 D48 D49	
	8503032-D01	车箱后板右铰链 HINGE,CARGO BODY TAIL GATE,RH	1		
10	8505110-D01	车箱后板锁环总成 STRIKER ASSEMBLY	1	D01 D02 D03 D22 D23 D24 D43 D44 D46 D47 D48 D49 D50 D65 D66	



防撞胶条及标牌 ANTISCUFF RIB AND LABEL



 每天进步一点点

防撞胶条及标牌 ANTISCUFF RIB AND LABEL

序号 S/N	零部件代号 PART CODE	零部件名称 PART NAME	用量 QTY	适用车型 VEHICLE APPLICABLE TO	备注 REMARK		
1	3921011-D01	“DEER” 标牌 LABEL "DEER"	2	D01 D02 D03 D04 D06 D19 D21 D22 D23 D24 D43 D44 D45 D46 D47 D48 D49 D50 D65 D66			
2	8206011-D07	左侧面车门踏板 SIDE STEP PLATE,LH (EXPORT,STAINLESS STEEL IS 1904mm LONG)	1	出口车专用	不锈钢长 1904mm		
	8206011-D08	左侧面车门踏板 SIDE STEP PLATE,LH (EXPORT,STAINLESS STEEL IS 2004mm LONG)			不锈钢长 2004mm		
	8206012-D07	右侧面车门踏板 SIDE STEP PLATE,RH (EXPORT,STAINLESS STEEL IS 1904mm LONG)	1		不锈钢长 1904mm		
	8206012-D08	右侧面车门踏板 SIDE STEP PLATE,RH (EXPORT,STAINLESS STEEL IS 2004mm LONG)	1		不锈钢长 2004mm		
3	8206021-D07	左前侧面车门踏板支架 BRACKET,SIDE STEP PLATE,FRONT DOOR,LH (EXPORT)	1				
	8206022-D07	右前侧面车门踏板支架 BRACKET,SIDE STEP PLATE,FRONT DOOR,RH (EXPORT)	1				
4	8206023-D07	左后侧面车门踏板支架 BRACKET,SIDE STEP PLATE,REAR DOOR,LH (EXPORT)	1				
	8206024-D07	右后侧面车门踏板支架 BRACKET,SIDE STEP PLATE,REAR DOOR,RH (EXPORT)	1				
5	8206025-D07	左中侧面车门踏板支架 BRACKET,SIDE STEP PLATE,MIDDLE DOOR,LH (EXPORT)	1				
	8206026-D07	右中侧面车门踏板支架 BRACKET,SIDE STEP PLATE, MIDDLE DOOR,RH (EXPORT)	1				
6	5006050-D01	车身防撞胶条总成 ANTISCUFF RIB ASSEMBLY	1	D01 D50 D66			
	5006050-D03	车身防撞胶条总成 ANTISCUFF RIB ASSEMBLY (WITH SHINING RIBBON)		D03		带亮条	
	5006050-D04	车身防撞胶条总成 ANTISCUFF RIB ASSEMBLY		D04 D19			
	5006050-D06	车身防撞胶条总成 ANTISCUFF RIB ASSEMBLY (WITH SHINING RIBBON)		D06 D21	带亮条		



防撞胶条及标牌 ANTISCUFF RIB AND LABEL

序号 S/N	零部件代号 PART CODE	零部件名称 PART NAME	用量 QTY	适用车型 VEHICLE APPLICABLE TO	备注 REMARK
7	3921026-D62	CC1022SCL 标牌 LABEL "CC1022SCL"	1	D62 D63 D64	
	3921025-D64	CC1021LSCL 标牌 LABEL "CC1021LSCL"			
	3921024-D63	CC1021ACL 标牌 LABEL "CC1021ACL"			
	3921011-D43	CC1021S 标牌 LABEL "CC1021S"		D43	
	3921017-D43	R 标牌 LABEL "R"		D43	
	3921011-D44	CC1021SE 标牌 LABEL "CC1021SE"		D22	
	3921011-D48	CC1020C 标牌 LABEL "CC1020C"		D48	
	3921011-D49	CC1020D 标牌 LABEL "CC1020D"		D49	
	3921011-D47	CC1020L 标牌 LABEL "CC1020L"		D47	
	3921011-D46	CC1020A 标牌 LABEL "CC1020A"		D46	
	3921011-D82	CC5020XXYS 标牌 LABEL "CC5020XXYS"		D82	
	3921012-D86	CC5020XXYA 标牌 LABEL "CC5020XXYA"		D86	
	3921012-D50	CC1022SR-3 标牌 LABEL "CC1022SR-3"		D50	
	3921012-D65	CC1022AR-3 标牌 LABEL "CC1022AR-3"		D65	
	3921012-D66	CC1021SCD 标牌 LABEL "CC1021SCD"		D66	
	3921014-D06	CC1021CR 标牌 LABEL "CC1021CR"		D06	
	3921014-D21	CC1021CC 标牌 LABEL "CC1021CC"		D21	
3921014-D04	CC1021LR 标牌 LABEL "CC1021LR"	D04			
3921014-D19	CC1021LC 标牌 LABEL "CC1021LC"	D19			
8	3921017-D01	尾标 TAIL LABEL	1	D01 D02 D03 D04 D06 D19 D21	
9	3921014-D22	长城皮卡标牌 LABEL 长城皮卡	1	D22 D23 D24 D43 D44 D45 D46 D47 D48 D49 D50 D65 D66	
	3921013-D22-B1	长城迪尔标牌 LABEL 长城迪尔			

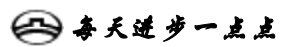
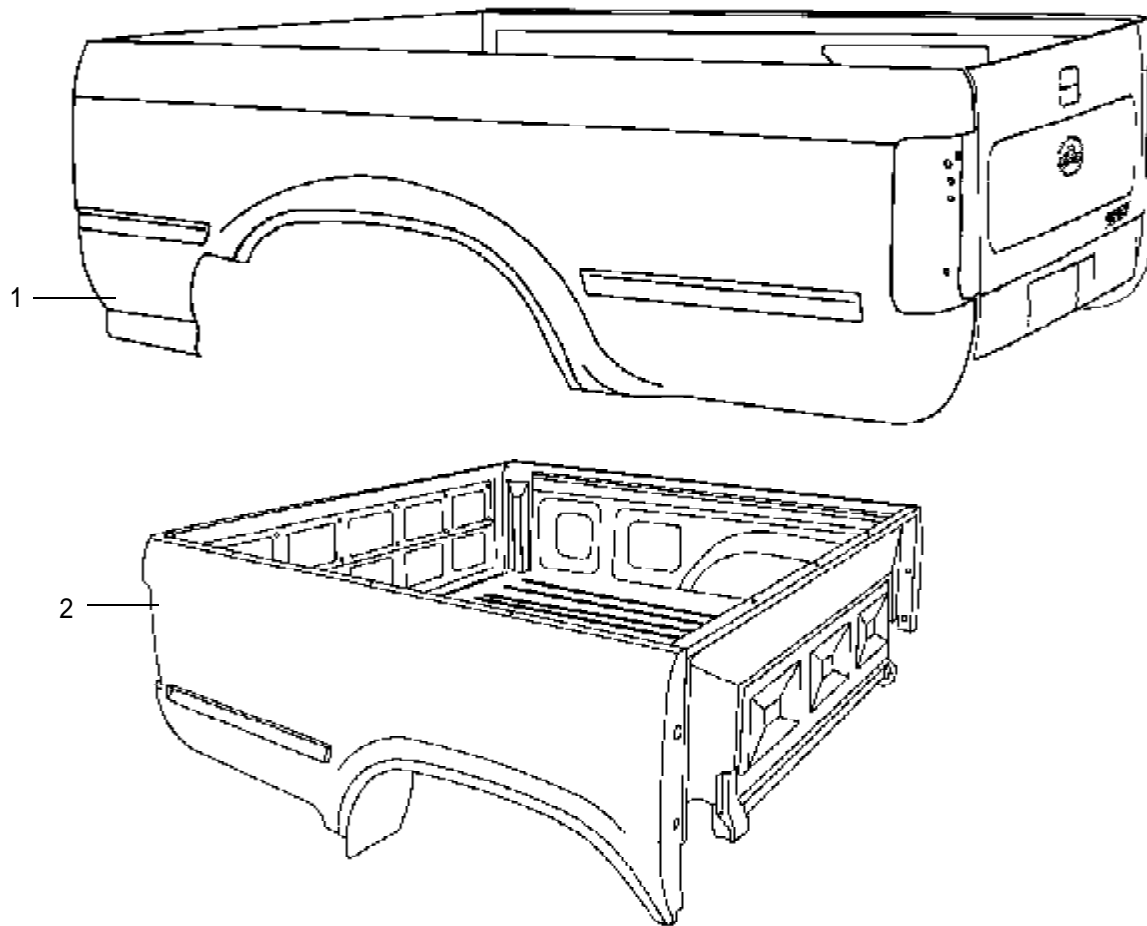
防撞胶条及标牌 ANTISCUFF RIB AND LABEL

序号 S/N	零部件代号 PART CODE	零部件名称 PART NAME	用量 QTY	适用车型 VEHICLE APPLICABLE TO	备注 REMARK
9	3921015-D01	金迪尔轿卡标牌 LABEL 金迪尔轿卡	1	D01 D04 D06 D19 D21D66	
	3921014-D01	长城皮卡王标牌 LABEL 长城皮卡王			
	3921014-D22	皮卡王标牌 LABEL 皮卡王			D43
	3921028-D01	长城汽车标牌 LABEL 长城汽车	1	D50 D65 D66	



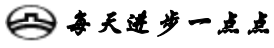
每天进步一点点

厢式车车箱总成 CARGO BODY ASSEMBLY

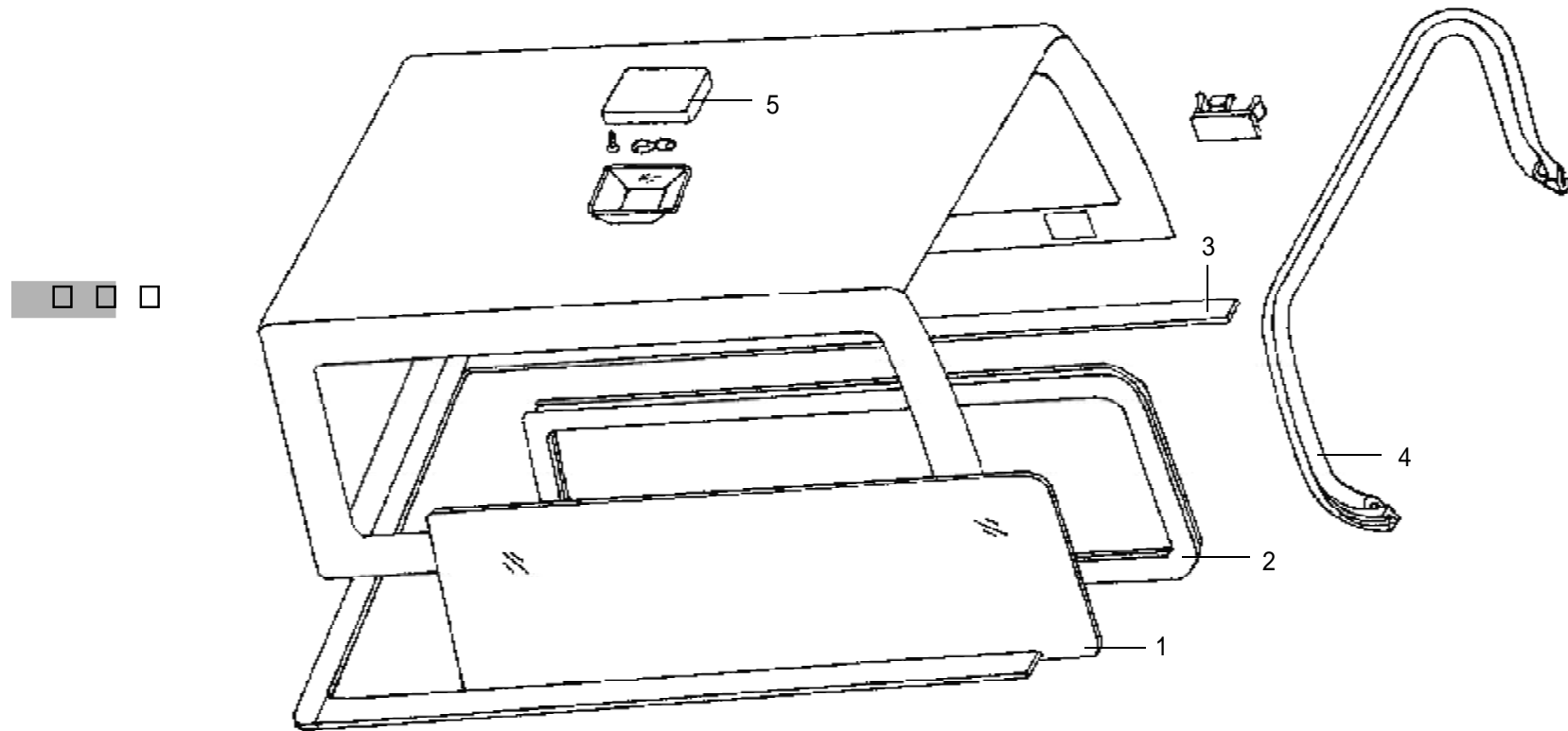


厢式车车箱总成 CARGO BODY ASSEMBLY

序号 S/N.	零部件代号 PART CODE	零部件名称 PART NAME	用量 QTY	适用车型 VEHICLE APPLICABLE TO	备注 REMARK
1	8500000-D90	车箱总成 CARGO BODY ASSEMBLY	1	D90	
	8500000-D86	车箱总成 CARGO BODY ASSEMBLY	1	D86	
2	8500000-D81	车箱总成 CARGO BODY ASSEMBLY	1	D81	

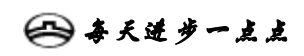


防雨篷总成（一） TARPAULIN ASSEMBLY(1)

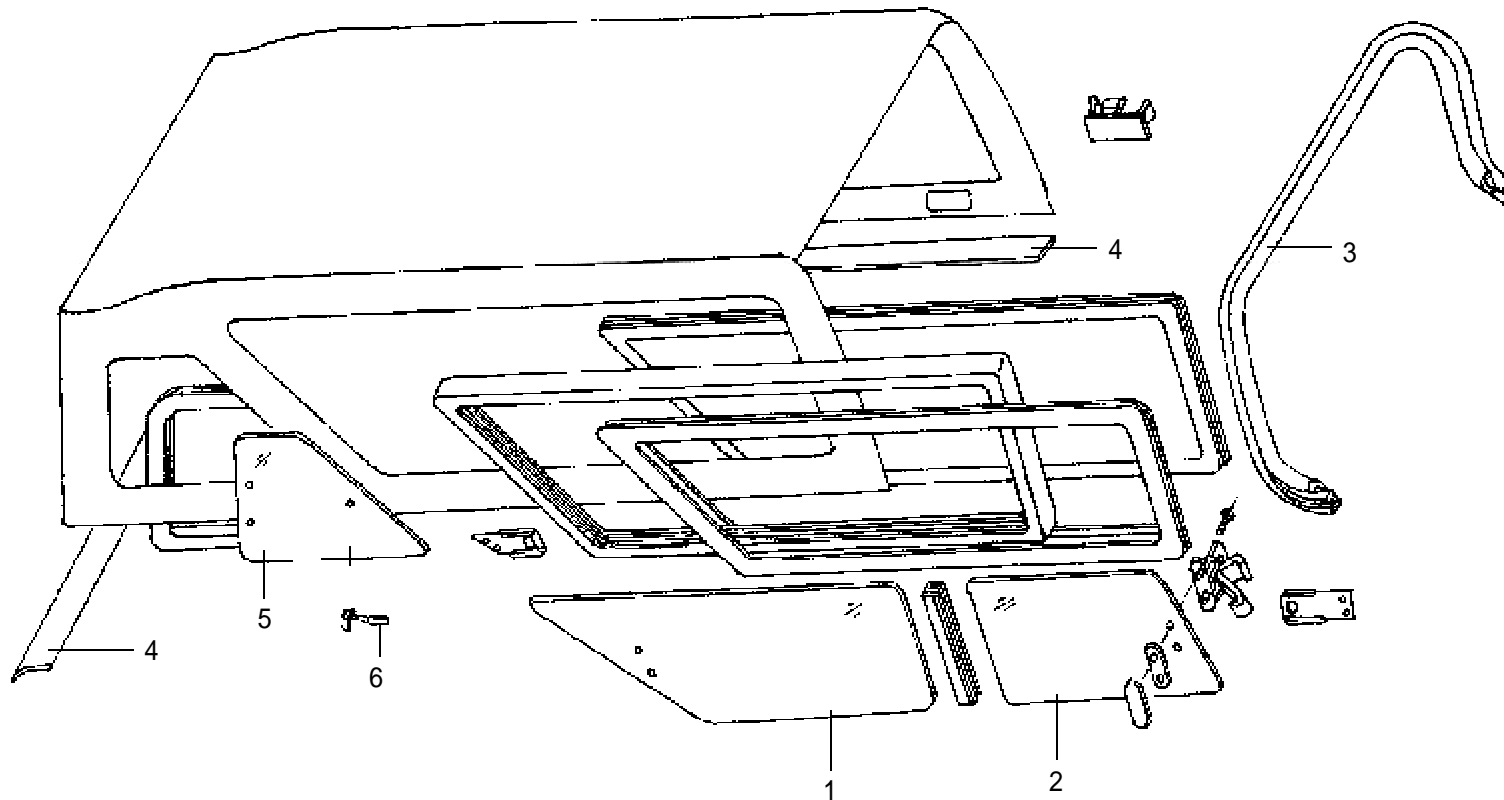


防雨篷总成 (一) TARPAULIN ASSEMBLY (1)

序号 S/N	零部件代号 PART CODE	零部件名称 PART NAME	用量 QTY	适用车型 VEHICLE APPLICABLE TO	备注 REMARK
	8516100-D81	防雨篷总成 TARPAULIN ASSEMBLY (STANDARD CAB)	1	D80 D81 D82 D83 D84	小双
	8516100-D81-B1	防雨篷总成 TARPAULIN ASSEMBLY (STANDARD CAB)			小双
1	8516023-D81	防雨篷左侧窗玻璃 SIDE WINDOW GLASS,TARPAULIN,LH (STANDARD CAB)	1		小双
	8516014-D81	防雨篷右侧窗玻璃 SIDE WINDOW GLASS,TARPAULIN,RH (STANDARD CAB)	1		小双
2	8516015-D81	左侧窗胶条 SIDE WINDOW WEATHERSTRIP,LH (STANDARD CAB)	1		小双
	8516016-D81	右侧窗胶条 SIDE WINDOW WEATHERSTRIP,RH (STANDARD CAB)	1		小双
3	8516018-D81	防雨篷密封条 SEALING STRIPS,TARPAULIN	1	D80 D81 D82 D83 D84 D85 D86 D87 D88 D89 D90	
4	8516019-D81	防雨篷后门流水槽胶条 SEALING STRIPS,ROOF RAIL,BACK WINDOW, TARPAULIN	1		
5	4123010-D22-B1-1207	雨篷顶灯总成 ROOF LAMP ASSEMBLY,TARPAULIN (DARK GREY)	1		深灰色



防雨篷总成（二） TARPAULIN ASSEMBLY (2)



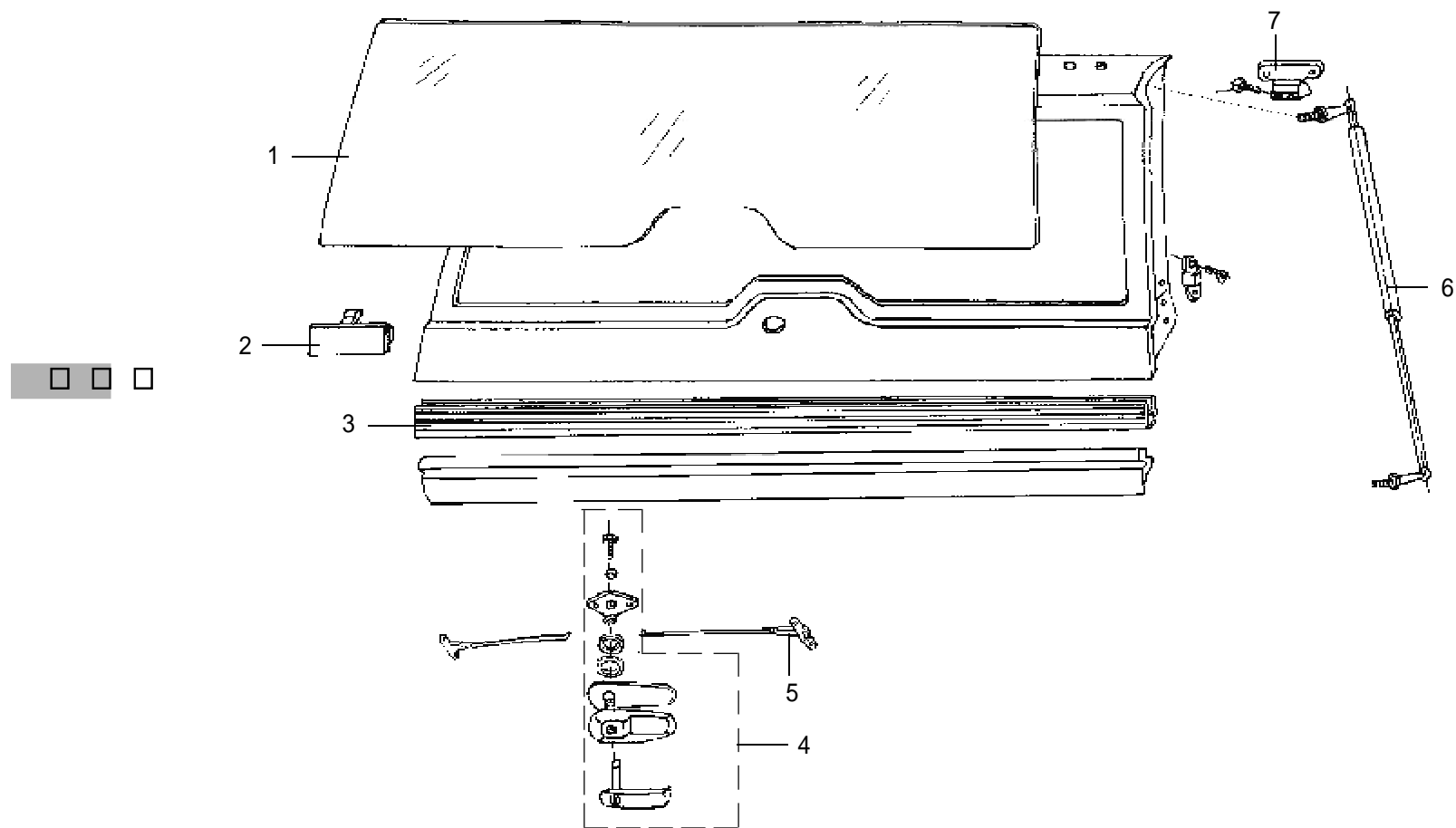
每天进步一点点

防雨篷总成 (二) TARPAULIN ASSEMBLY (2)

序号 S/N	零部件代号 PART CODE	零部件名称 PART NAME	用量 QTY	适用车型 VEHICLE APPLICABLE TO	备注 REMARK
	8516000-D86	防雨篷总成 TARPAULIN ASSEMBLY (LARGE DOUBLE CAB)	1	D85 D86 D87 D88 D89	大双
	8516000-D86-B1	防雨篷总成 TARPAULIN ASSEMBLY (LARGE DOUBLE CAB)			大双
1	8516013-D86	防雨篷左侧窗前玻璃 SIDE WINDOW FRONT GLASS,TARPAULIN,LH (LARGE DOUBLE CAB)	1		大双
	8516014-D86	防雨篷右侧窗前玻璃 SIDE WINDOW FRONT GLASS,TARPAULIN,RH (LARGE DOUBLE CAB)	1		大双
2	8516015-D86	防雨篷左侧窗后玻璃 SIDE WINDOW REAR GLASS,TARPAULIN,LH (LARGE DOUBLE CAB)	1		大双
	8516016-D86	防雨篷右侧窗后玻璃 SIDE WINDOW REAR GLASS,TARPAULIN, RH (LARGE DOUBLE CAB)	1		大双
3	8516019-D81	防雨篷后门流水槽胶条 SEALING STRIPS,ROOF RAIL,BACK WINDOW, TARPAULIN	1	D80 D81 D82 D83 D84 D85 D86 D87 D88 D89 D90	
4	8516018-D81	防雨篷密封条 SEALING STRIPS,TARPAULIN	1		
5	8516017-D86	防雨篷左角窗玻璃 QUARTER WINDOW GLASS,TARPAULIN,LH	1		
	8516018-D86	防雨篷右角窗玻璃 QUARTER WINDOW GLASS,TARPAULIN,RH	1		
6	8516400-D81-B1	防雨篷角窗扳手 QUARTER WINDOW HANDLE,TARPAULIN	1		



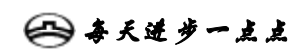
防雨篷后门总成 TARPAULIN BACK WINDOW ASSEMBLY



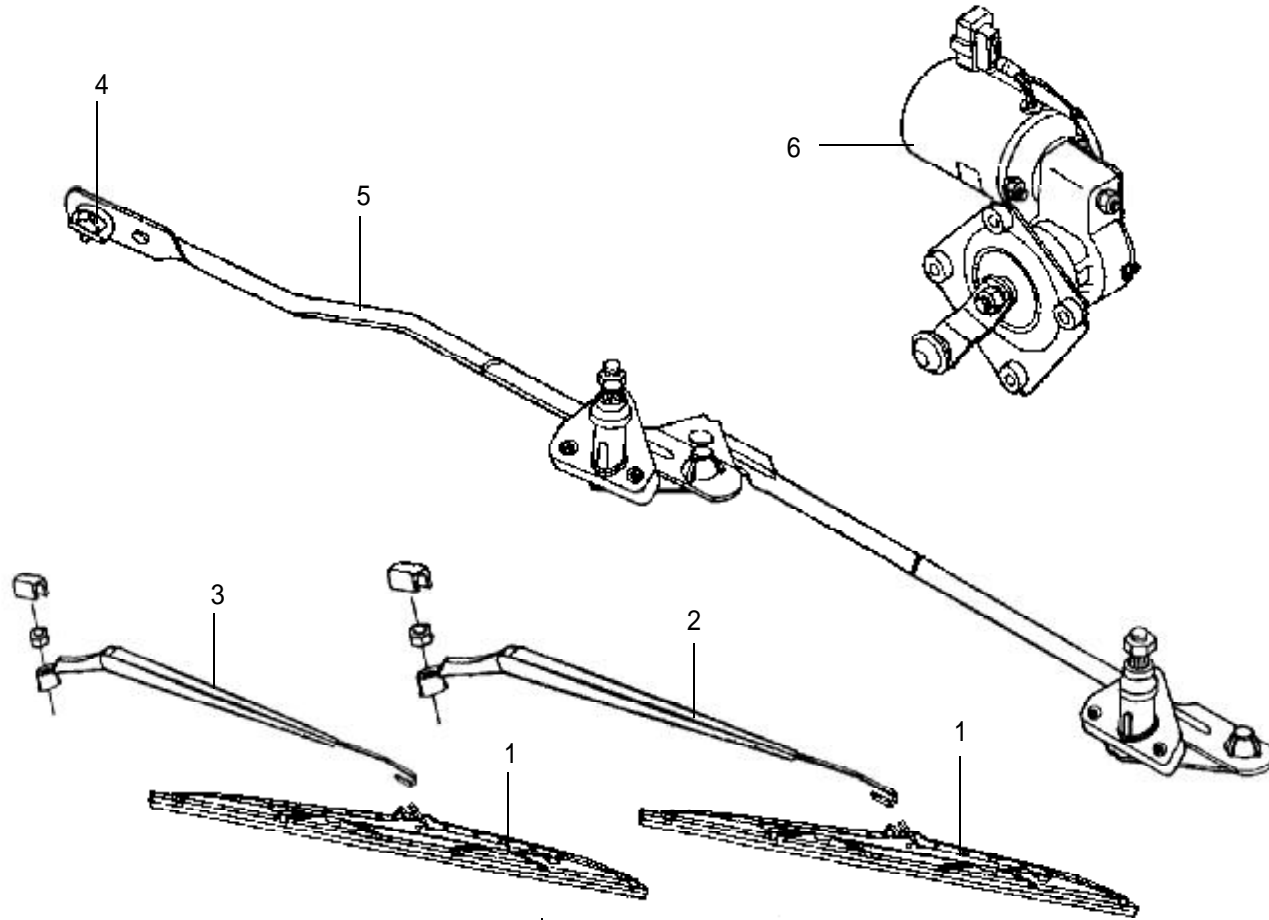
每天进步一点点

防雨篷后门总成 TARPAULIN BACK WINDOW ASSEMBLY

序号 S/N	零部件代号 PART CODE	零部件名称 PART NAME	用量 QTY	适用车型 VEHICLE APPLICABLE TO	备注 REMARK
	8516200-D81	防雨篷后门总成 BACK WINDOW ASSEMBLY,TARPAULIN (STANDARD CAB)	1	D80 D81 D82 D83 D84	小双
	8516200-D86	防雨篷后门总成 BACK WINDOW ASSEMBLY,TARPAULIN (LARGE DOUBLE CAB)		D85 D86 D87 D88 D89	大双
1	8516011-D81	防雨篷后门玻璃 BACK WINDOW GLASS,TARPAULIN (STANDARD CAB)	1	D80 D81 D82 D83 D84	小双
	8516011-D86	防雨篷后门玻璃 BACK WINDOW GLASS,TARPAULIN (LARGE DOUBLE CAB)		D85 D86 D87 D88 D89	大双
2	8516021-D81	防雨篷后塑料堵板 PLASTIC PLUG BOARD,BACK WINDOW,TARPAULIN (BIG)	2	D80 D81 D82 D83 D84 D85 D86 D87 D88 D89 D90	大
	8516022-D81	防雨篷后塑料堵板 PLASTIC PLUG BOARD,BACK WINDOW,TARPAULIN (SMALL)	4		小
3	8516017-D81	防雨篷后门胶条 WEATHERSTRIP,BACK WINDOW,TARPAULIN	1		
4	8516700-D81-B1	防雨篷后门把手总成 HANDLE ASSEMBLY,BACK WINDOW,TARPAULIN	1		
5	8516600-D81	防雨篷后门锁头总成 LOCK BLOCK ASSEMBLY,BACK WINDOW,TARPAULIN	1		
6	8516100-D81	防雨篷气挺杆 PNEUMATIC STRUT BAR,TARPAULIN	2		D80 D81 D82 D83 D84 D85 D86 D87 D88 D89
7	8516300-D81	防雨篷雨篷合页 BACK WINDOW HINGE	2	D80 D81 D82 D83 D84 D85 D86 D87 D88 D89 D90	

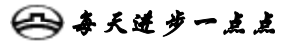


刮水器总成 WIPER ASSEMBLY

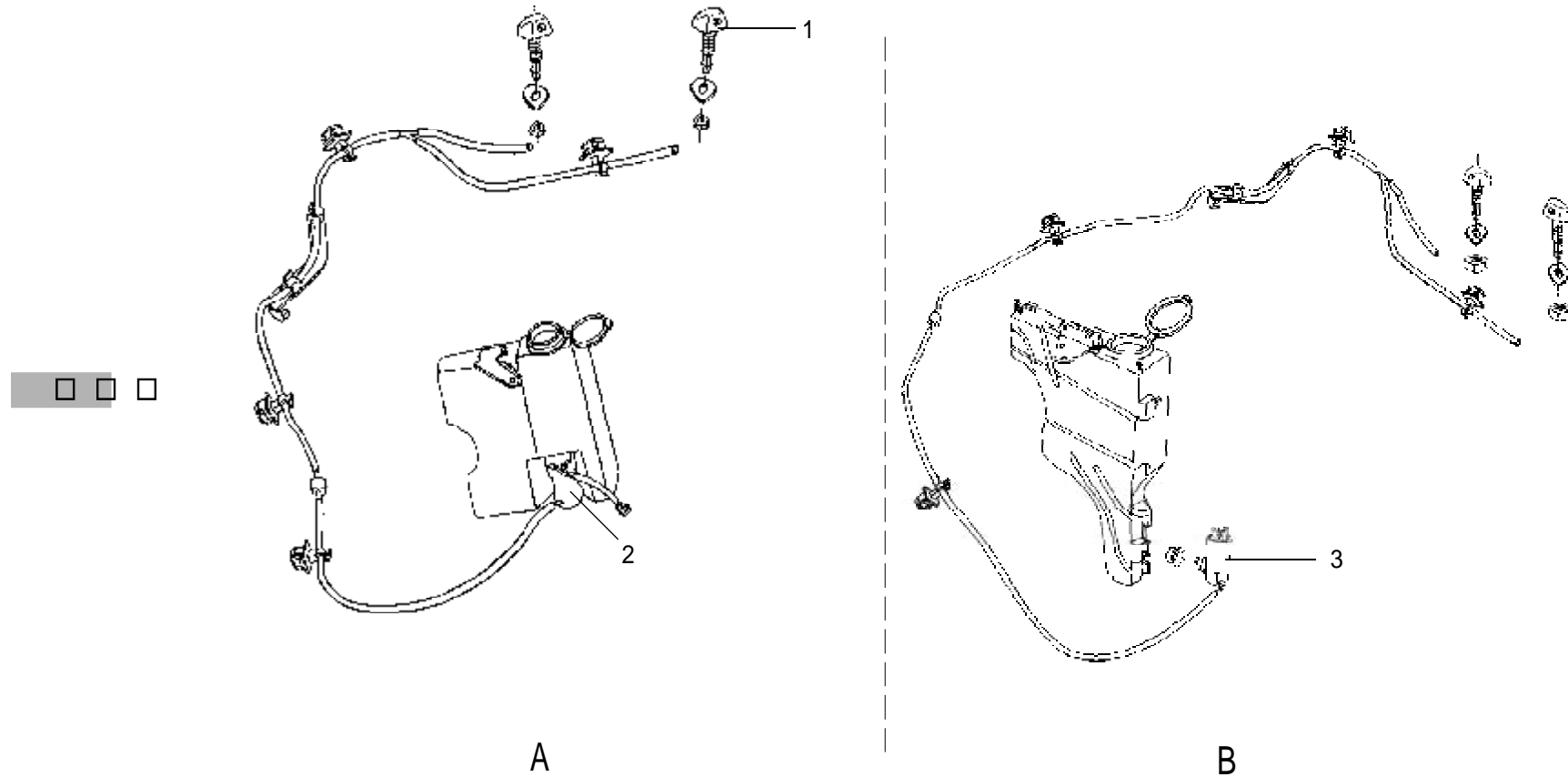


刮水器总成 WIPER ASSEMBLY

序号 S/N	零部件代号 PART CODE	零部件名称 PART NAME	用量 QTY	适用车型 VEHICLE APPLICABLE TO	备注 REMARK
1	5205061-D01	雨刷刮片 WIPER BLADE (DEER SERIES)	2	迪尔系列	
2	5205060-D01	左前雨刷臂总成 FRONT WIPER ARM ASSEMBLY,LH (DEER SERIES, WITHOUT WIPER BLADE)	1		不带刮片
3	5205060-D01	右前雨刷臂总成 FRONT WIPER ARM ASSEMBLY,RH (DEER SERIES, WITHOUT WIPER BLADE)	1		不带刮片
4	5205011-D01	前刮水器连杆球碗 FRONT WIPER LINKAGE BALL BOWL (DEER SERIES)	1		
5	5205020-D01	前刮水器连杆总成 FRONT WIPER LINKAGE ASSEMBLY (DEER SERIES)	1		
6	5205010-D01	刮水器电机总成 WIPER MOTOR ASSEMBLY (DEER SERIES)	1		



风窗洗涤器总成 WINDSHIELD WASHER ASSEMBLY



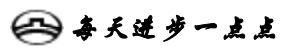
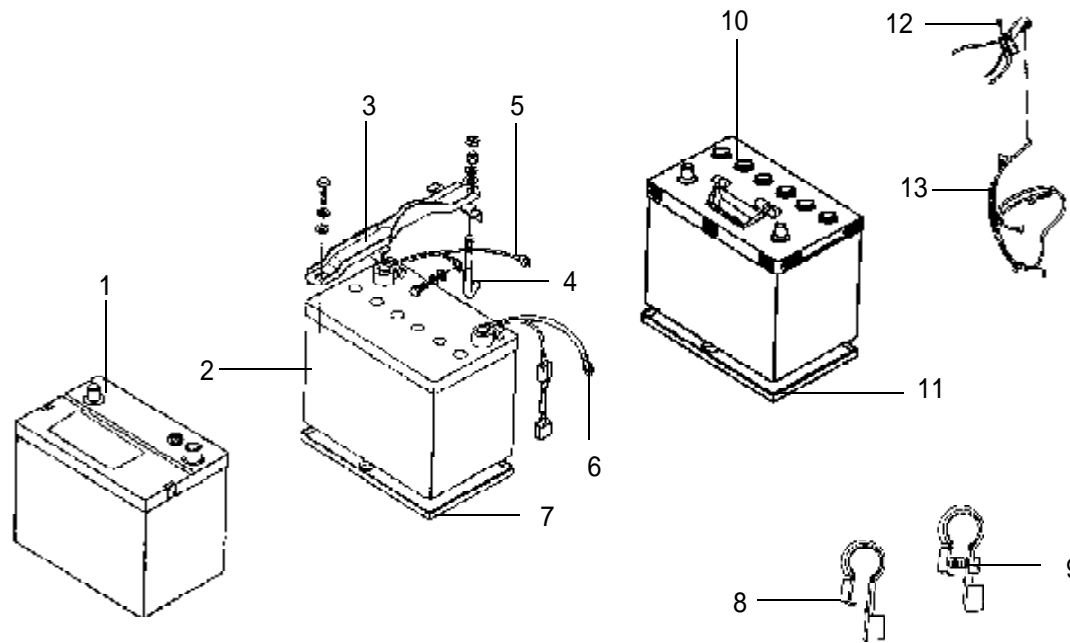
每天进步一点点

风窗洗涤器总成 WINDSHIELD WASHER ASSEMBLY

序号 S/N	零部件代号 PART CODE	零部件名称 PART NAME	用量 QTY	适用车型 VEHICLE APPLICABLE TO	备注 REMARK
A	5207010-D62	风窗洗涤器总成 WINDSHIELD WASHER ASSEMBLY (DEER SERIES, WITH PIPES AND NOZZLE)	1	迪尔系列	含管路,喷嘴
B	5207010-D01	风窗洗涤器总成 WINDSHIELD WASHER ASSEMBLY (WITH PIPES AND NOZZLE)	1	D01 D02 D03 D04 D06 D07 D08 D16 D17 D18 D19 D21 D50 D65 D66	含管路,喷嘴
	5207010-D06	风窗洗涤器总成 WINDSHIELD WASHER ASSEMBLY		D04 D06 D19 D21	
1	5207020-D01	风窗洗涤器前喷嘴总成 FRONT NOZZLE ASSEMBLY,WASHER (DEER SERIES)	2	迪尔系列	
2	5207030-D01	风窗洗涤器电机总成 WASHER MOTOR ASSEMBLY (DEER SERIES)	1		
3	5207030-F00	风窗洗涤器电机总成 WASHER MOTOR ASSEMBLY	1	D01 D02 D03 D07 D22 D23 D24 D44 D46 D47 D48 D49 D50 D65 D66	



蓄电池总成 BATTERY ASSEMBLY



蓄电池总成 BATTERY ASSEMBLY

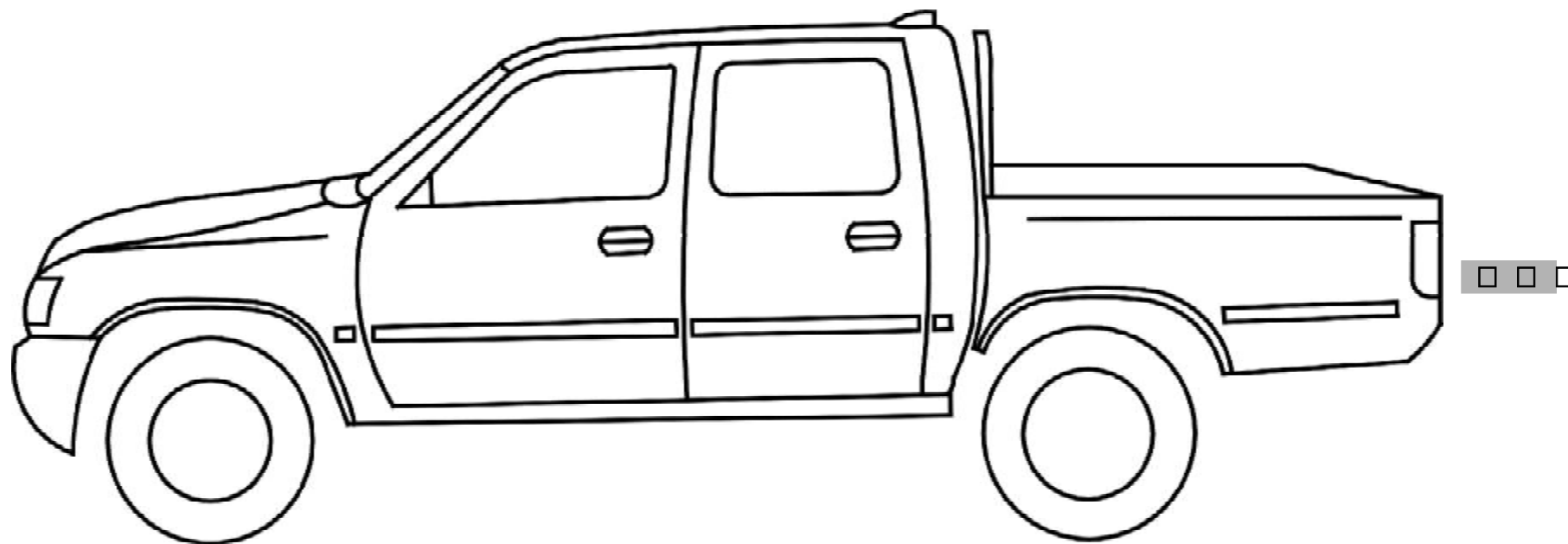
序号 S/N	零部件代号 PART CODE	零部件名称 PART NAME	用量 QTY	适用车型 VEHICLE APPLICABLE TO	备注 REMARK
1	3703010-F00	蓄电池总成 BATTERY ASSMBLY (DEER GASOLINE SERIES)	1	迪尔汽油系列	
2	3703010-D01	蓄电池总成 BATTERY ASSMBLY (DEER GASOLINE SERIES)			
3	3703041-D17	蓄电池压板 BATTERY PLATE (DIESEL ENGINE 4D28)	1	D16 D17 D18	4D28
	3703041-D01-C1	蓄电池压板 BATTERY PLATE	1	D50 D65	
	3703041-D66	蓄电池压板 BATTERY PLATE	1	D66	
	3703041-D01	蓄电池压板 BATTERY PLATE	1	D01 D02 D03 D04 D06 D07 D08	
4	3703051-D01	蓄电池紧固螺栓 BOLT-MOUNTING BATTERY	1	D09 D19 D21 D22 D23 D24 D28 D29 D30 D43 D44 D46 D47 D48	
5	4002300-D01	蓄电池负极线束总成 BATTERY CATHODE WIRING HARNESS ASSEMBLY (DEER AND SAFE)	1	D49 D50 D65	迪尔赛弗通用
	4002300-D66	蓄电池负极线束总成 BATTERY CATHODE WIRING HARNESS ASSEMBLY	1	D66	
6	4002200-D66	蓄电池正极线束总成 BATTERY ANODE WIRING HARNESS ASSEMBLY			
	4002200-D01	蓄电池正极线束总成 BATTERY ANODE WIRING HARNESS ASSEMBLY (MODEL 2003, DEER ,2WD)	1	D01 D02 D03 D04 D06 D07 D08 D09 D19 D21 D22 D23 D24 D28	2003 款迪尔两驱
	4002200-D01-B1	蓄电池正极线束总成 BATTERY ANODE WIRING HARNESS ASSEMBLY (MODEL 2004, DEER ,2WD)	1	D29 D30 D43 D44 D46 D47 D48 D49 D50 D65	2004 款迪尔两驱
7	3703042-D01	蓄电池托板 BATTERY BRACKET	1		
8	4002201-D01	蓄电池正极卡子 BATTERY ANODE CLAMP (ANODE BATTERY PLUG)	1	D01 D02 D03 D04 D06 D19 D21 D07 D08 D09 D19 D21 D22 D23 D24 D28 D29 D30 D43 D44 D46 D47 D48 D49 D50 D65	正极电瓶栓
9	4002301-D01	蓄电池负极卡子 BATTERY CATHODE CLAMP (CATHODE BATTERY PLUG)	1		负极电瓶栓
10	3703010-D17	蓄电池总成 BATTERY ASSEMBLY	1	D16 D17 D18 D19 D21 D37 D38 D40 D42 D62 D63 D64 D66	80AH
11	3703042-D17	蓄电池托板 BATTERY PLATE	1	D16 D17 D18 D66	



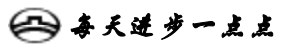
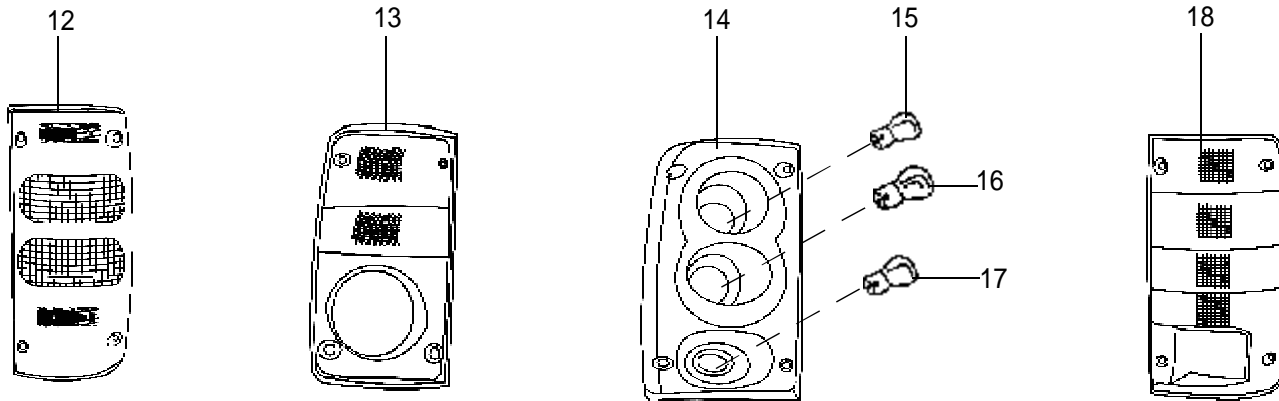
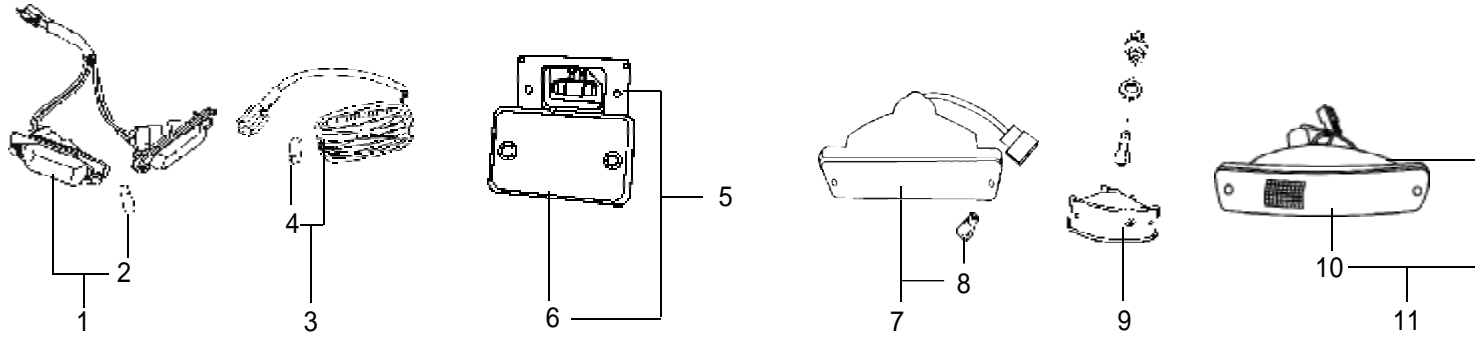
蓄电池总成 BATTERY ASSEMBLY

序号 S/N	零部件代号 PART CODE	零部件名称 PART NAME	用量 QTY	适用车型 VEHICLE APPLICABLE TO	备注 REMARK
12	3722300-B00	熔断器 50A SLOW MELTING FUSE 50A	1	D07 D08	
	3722100-D07	40A 慢熔保险 SLOW MELTING FUSE 40A			
	3722100-B00	80A 慢熔保险 SLOW MELTING FUSE 80A			
13	4002200-D07-C1	蓄电池正极线束总成 BATTERY ANODE WIRING HARNESS ASSEMBLY (ELECTRICAL 4WD)	1	D07 D08	电动四驱
	4002200-D07-B1	蓄电池正极线束总成 BATTERY ANODE WIRING HARNESS ASSEMBLY (KOREA TRANSMISSION ,4WD)			韩国变速器四驱
	4002200-D62-B1	蓄电池正极线束总成 BATTERY ANODE WIRING HARNESS ASSEMBLY	1	D62 D63 D64	





灯具 (一) LAMP (1)



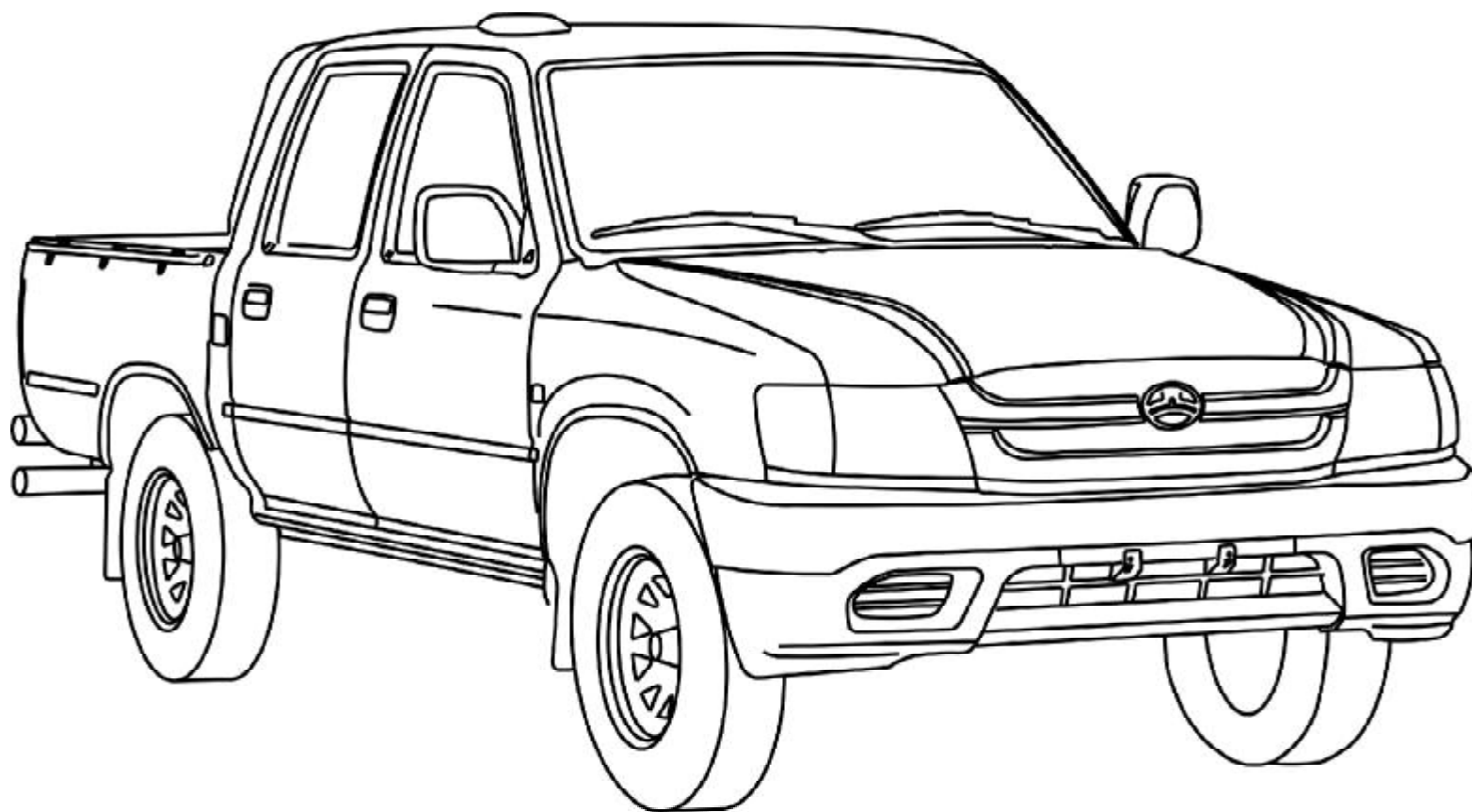
灯具（一）LAMP(1)

序号 S/N	零部件代号 PART CODE	零部件名称 PART NAME	用量 QTY	适用车型 VEHICLE APPLICABLE TO	备注 REMARK	
1	4108010-D01	牌照灯总成 NUMBER PLATE LAMP ASSEMBLY (DEER SERIES)	2	迪尔系列		
2	4108011-D01	牌照灯灯泡 NUMBER PLATE LAMP ASSEMBLY (DEER SERIES)	2			
3	4117010-D01	侧转向灯总成 SIDE TURN SIGNAL LAMP ASSEMBLY (MODEL 2004)	2	D01 D04 D06 D19 D21 D22 D23 D24 D50 D65 D66	2004 款	
	4117010-D01-A3	侧转向灯总成 SIDE TURN SIGNAL LAMP ASSEMBLY (MODEL 2003)		D01 D50 D65 D66	2003 款	
4	4117011-D01	侧转向灯灯泡 SIDE TURN SIGNAL LAMP BULB (DEER SERIES)	2	迪尔系列		
5	4131010-D01	门灯总成 DOOR LAMP ASSEMBLY	4	D01 D02 D03 D04 D06 D19 D21 D22 D23 D24 D47 D48 D49 D50 D65 D66		
6	4131011-D01	门灯罩 DOOR LAMP COVER	4			
7	4116010-D01	喉雾灯总成 REAR FOG LAMP ASSEMBLY	2	D01 D02 D03 D04 D06 D19 D21 D22 D23 D24 D50 D65 D66		
	4116010-D22	后雾灯总成 REAR FOG LAMP ASSEMBLY (MODEL 2002)		D22 D23 D24	2002 款	
8	4116011-D01	后雾灯灯泡 REAR FOG LAMP BULB	2	D01 D02 D03 D04 D06 D19 D21 D22 D23 D24 D50 D65 D66 D50 D65 D66		
9	4111010-D22-B1	左前杠灯总成 FRONT BUMPER LAMP ASSEMBLY,LH (MODEL 2002)	1	D22 D23 D24 D44 D45 D46 D47 D48 D49	2002 款	
	4111020-D22-B1	右前杠灯总成 FRONT BUMPER LAMP ASSEMBLY,RH (MODEL 2002)			2002 款	
10	4111011-D22-0901	杠灯罩 BUMPER LAMP COVER (WHITE)	2	D43 D44 D46 D47 D48 D49	白色	
11	4111010-D22	左前杠灯总成 FRONT BUMPER LAMP ASSEMBLY,LH	1			
	4111020-D22	右前杠灯总成 FRONT BUMPER LAMP ASSEMBLY ,RH				
12	4133010-D22-C1	左组合后灯总成 REAR COMBINATION LAMP ASSEMBLY, LH (MODEL 2001)	1	D04 D06 D19 D21 D22 D43 D45 D46 D48 D49	2001 款	

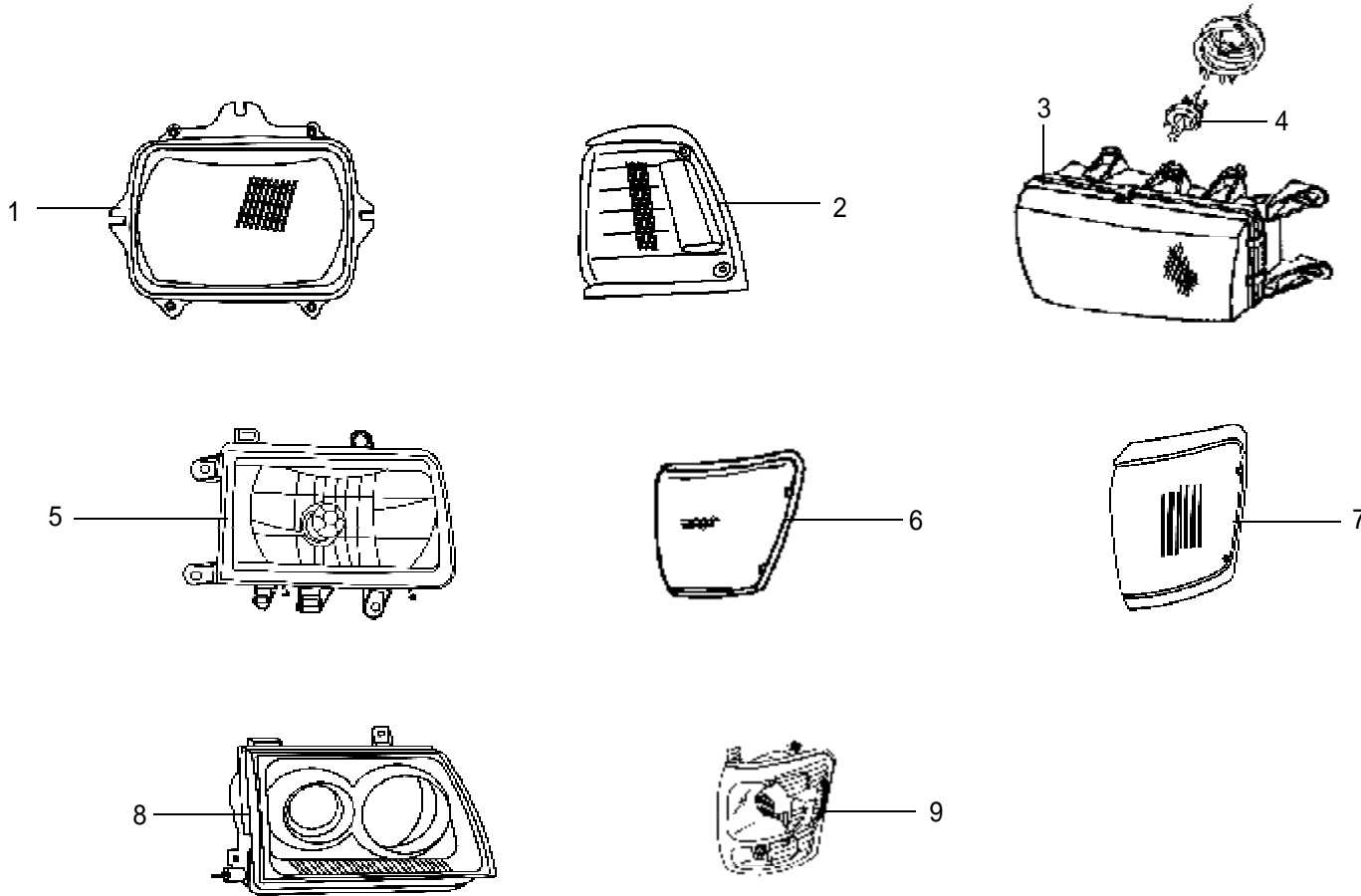


灯具（一）LAMP(1)

序号 S/N	零部件代号 PART CODE	零部件名称 PART NAME	用量 QTY	适用车型 VEHICLE APPLICABLE TO	备注 REMARK
12	4133020-D22-C1	右组合后灯总成 REAR COMBINATION LAMP ASSEMBLY, RH (MODEL 2001)	1	D04 D06 D19 D21 D22 D43 D45 D46 D48 D49	2001 款
	4133012-D22-C1	右组合后灯罩 REAR COMBINATION LAMP COVER,RH (NEW MODEL)			
	4133011-D22-C1	左组合后灯罩 REAR COMBINATION LAMP COVER,LH (NEW MODEL)			新款
13	4133010-D22-D1	左组合后灯总成 REAR COMBINATION LAMP ASSEMBLY, LH (MODEL 2002, DIAMOND)	1	D22 D23 D24	2002 款,钻石
	4133020-D22-D1	右组合后灯总成 REAR COMBINATION LAMP ASSEMBLY, RH (MODEL 2002, DIAMOND)			2002 款,钻石
14	4133010-D01	左组合后灯总成 REAR COMBINATION LAMP ASSEMBLY, LH	1	D01 D02 D04 D06 D19 D21 D24 D50 D65 D66	
	4133020-D01	右组合后灯总成 REAR COMBINATION LAMP ASSEMBLY, RH			
15	4133011-D01	转向灯泡 TURN SIGNAL LAMP BULB	2	D01 D02 D03 D07 D08 D16 D17 D18 D43 D44 D45 D46 D47 D48 D49 D62 D63 D64 D50 D65 D66	
16	4133012-D01	双丝灯泡 DOUBLE FILAMENT BULB	2		
17	4133013-D01	倒车灯泡 BACK-UP LAMP BULB	2		
18	4133010-D22	左组合后灯总成 REAR COMBINATION LAMP ASSEMBLY, LH (4 GRIDS)	1	D03 D04 D06 D17 D19 D21 D43 D44 D46 D47 D48 D49	四格
	4133020-D22	右组合后灯总成 REAR COMBINATION LAMP ASSEMBLY, RH (4 GRIDS)			四格
	4133011-D22	左组合后灯灯罩 LEFT COMBINED TAIL LAMP SCREEN (4 GRIDS)			四格
	4133012-D22	右组合后灯灯罩 RIGHT COMBINED TAIL LAMP SCREEN (4 GRIDS)			四格



灯具 (二) LAMP (2)



灯具（二） LAMP (2)

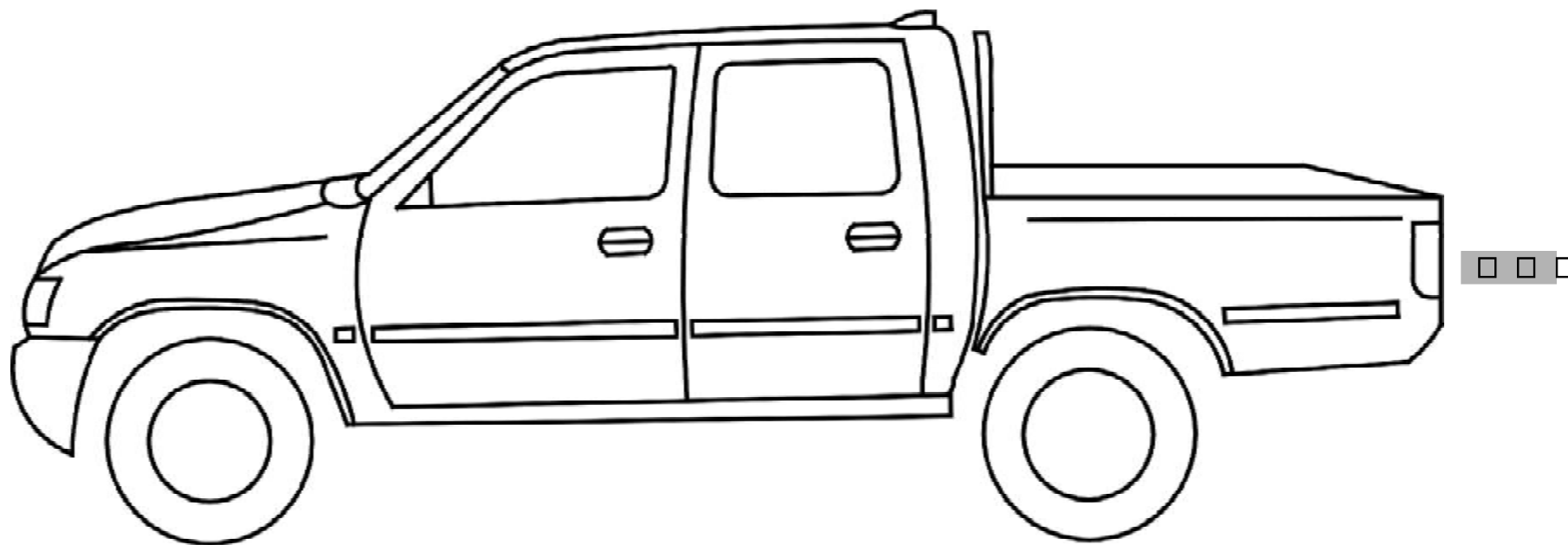
序号 S/N	零部件代号 PART CODE	零部件名称 PART NAME	用量 QTY	适用车型 VEHICLE APPLICABLE TO	备注 REMARK
1	4101300-D43	前照灯总成 HEADLAMP ASSEMBLY (OLD MODEL)	2	D43 D44	老款
2	4121010-D43	左前小灯总成 FRONT COMBINATION LAMP COVER,LH	1	D43	
	4121020-D43	右前小灯总成 FRONT COMBINATION LAMP COVER,RH	1		
3	4101100-D43	左前照灯总成 HEADLAMP ASSEMBLY,LH (MODEL 2001)	1	D43 D44 D45 D46 D47 D48 D49	2001 款
	4101200-D43	右前照灯总成 HEADLAMP ASSEMBLY,RH (MODEL 2001)	1		2001 款
4	4101101-D01	前照灯灯泡 HEADLAMP BULB	2	D01 D02 D02 D07 D08 D43 D44 D45 D46 D47 D48 D49 D50 D65 D66	
5	4101100-D22-B1	左前照灯总成 HEADLAMP ASSEMBLY,LH (MODEL 2002, DIAMOND)	1	D22 D23 D24 D25 D27 D37 D38 D40 D42 D48 D49	2002 款,钻石
	4101200-D22-B1	右前照灯总成 HEADLAMP ASSEMBLY,RH (MODEL 2002, DIAMOND)	1		2002 款,钻石
6	4121010-D43	左前小灯总成 FRONT COMBINATION LAMP COVER,LH (PURE WHITE)	1	D43 D44 D45 D46 D47 D48 D49	纯白
	4121020-D43	右前小灯总成 FRONT COMBINATION LAMP COVER,RH (PURE WHITE)	1		纯白
7	4121010-D43-B1-0311	左前小灯总成 FRONT COMBINATION LAMP COVER,LH (YELLOW FAST GROOVE)	1	D43 D44 D46 D47 D48 D49	黄色粗纹
	4121020-D43-B1-0311	右前小灯总成 FRONT COMBINATION LAMP COVER,RH (YELLOW FAST GROOVE)	1		黄色粗纹
	4121010-D22-B1-0901	左前小灯总成 FRONT COMBINATION LAMP COVER,LH (WHITE FAST GROOVE)	1	D22 D23 D24 D25 D27 D44 D45 D46 D47 D48 D49	白色粗纹
	4121020-D22-B1-0901	右前小灯总成 FRONT COMBINATION LAMP COVER,RH (WHITE FAST GROOVE)	1		白色粗纹
8	4101100-F00	左前照灯总成 HEADLAMP ASSEMBLY,LH (MODEL 2004)	1	D50 D65	2004 款
	4101200-F00	右前照灯总成 HEADLAMP ASSEMBLY,RH (MODEL 2004)	1	D50 D65	2004 款



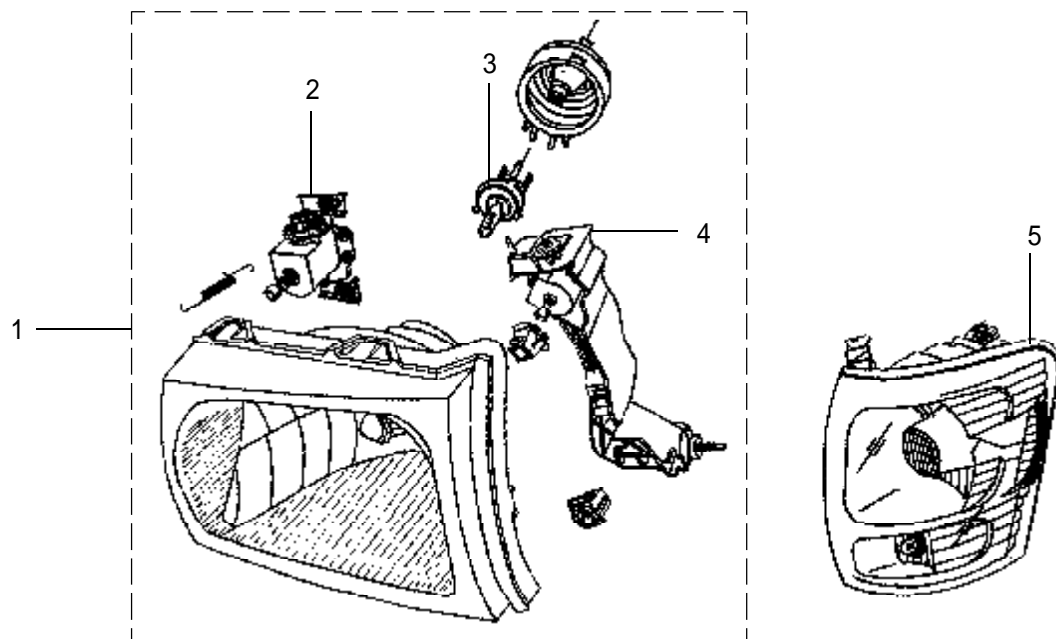
灯具（二） LAMP (2)

序号 S/N	零部件代号 PART CODE	零部件名称 PART NAME	用量 QTY	适用车型 VEHICLE APPLICABLE TO	备注 REMARK
9	4102100-F00	左前小灯总成 FRONT COMBINATION LAMP COVER,LH (MODEL 2004)	1	D50 D65	2004款
	4102200-F00	右前小灯总成 FRONT COMBINATION LAMP COVER,RH (MODEL 2004)	1		2004款





灯具（三） LAMP (3)

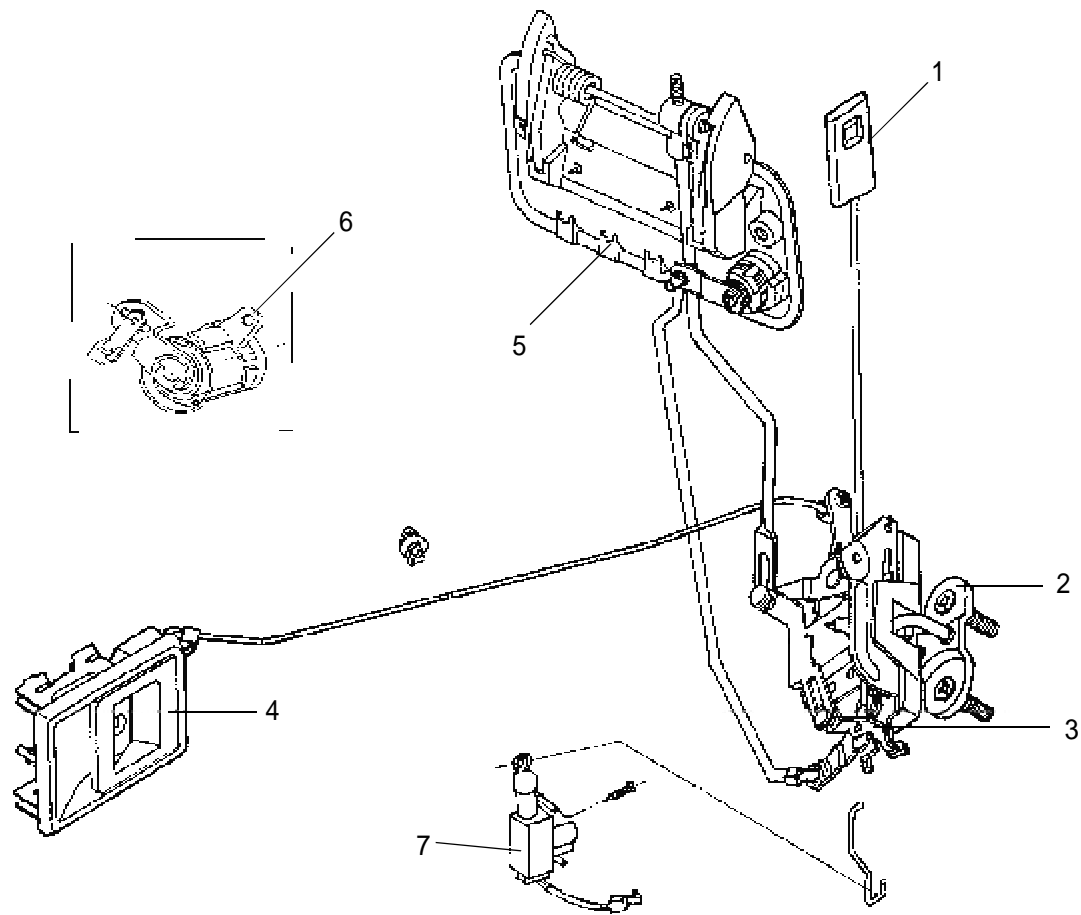


灯具（三） LAMP(3)

序号 S/N	零部件代号 PART CODE	零部件名称 PART NAME	用量 QTY	适用车型 VEHICLE APPLICABLE TO	备注 REMARK	
1	4101100-D01	左前照灯总成 HEADLAMP ASSEMBLY,LH (MODEL 2003)	1	D01 D02 D03 D04 D06 D07 D08 D16 D17 D18 D19 D21 D50 D65 D66	2003 款	
	4101200-D01	右前照灯总成 HEADLAMP ASSEMBLY,RH (MODEL 2003)			2003 款	
2	4101110-D01	左前照灯小调整器总成 SMALL ADJUSTER ASSEMBLY,LEFT HEADLAMP	1			
	4101120-D01	右前照灯小调整器总成 SMALL ADJUSTER ASSEMBLY,RIGHT HEADLAMP				
3	4101101-D01	前照灯灯泡 HEADLAMP BULB	2			
4	4101130-D01	左前照灯大调整器总成 BIG ADJUSTER ASSEMBLY,LEFT HEADLAMP	1			
	4101140-D01	右前照灯大调整器总成 BIG ADJUSTER ASSEMBLY,RIGHT HEADLAMP				
5	4102100-D01	左前小灯总成 FRONT COMBINATION LAMP COVER,LH (MODEL 2003)	1			2003 款
	4102200-D01	右前小灯总成 FRONT COMBINATION LAMP COVER,RH (MODEL 2003)				2003 款



前侧面车门锁及手柄总成 FRONT DOOR LOCK AND HANDLE ASSEMBLY



前侧面车门锁及手柄总成 FRONT DOOR LOCK AND HANDLE ASSEMBLY

序号 S/N	零部件代号 PART CODE	零部件名称 PART NAME	用量 QTY	适用车型 VEHICLE APPLICABLE TO	备注 REMARK
	6105000-D01	前侧面车门锁总成 FRONT DOOR LOCK ASSEMBLY (LIYONG,WITHOUT ACTUATOR)	1	D01 D02 D03 D16 D17 D18 D23 D24 D43 D44 D45 D46 D50 D65	利用,不含闭锁器
	6105100-D06	排半侧面车门锁总成 DOOR LOCK ASSEMBLY,ONE AND A HALF CAB	1	D04 D05 D06 D19 D21 D25 D26 D27	
1	6105115-D01-0314	锁提钮 DOOR LOCK CONTROL KNOB (MODEL 2003, LIGHT COFFEE)	1	D01 D02 D03 D04 D06 D07 D08 D09 D19 D21 D23 D24 D43 D44 D45 D50 D65 D66	2003 款,浅咖啡色
	6105115-D01-0110	锁提钮 DOOR LOCK CONTROL KNOB (RED)			红色
2	6105117-D01	侧门车门锁环 STRIKER (DEER SERIES)	1	迪尔系列	
3	6105120-D01	左前侧面车门锁体总成 FRONT DOOR LOCK BODY ASSEMBLY,LH (DEER SERIES ,LIYONG)	1		利用
	6105150-D06	左前侧面车门锁体总成 FRONT DOOR LOCK BODY ASSEMBLY,LH		D04 D06 D19 D21	
4	6105113-D75-0314	左侧面车门锁内扣手 DOOR INSIDE HANDLE ASSEMBLY,LH (MODEL 2003, ELECTROPLATE AND LIGHT COFFEE)	2	D01 D02 D03 D04 D06 D07 D08 D50 D65 D66	2003 款,电镀浅咖啡
	6105113-D01-0110	左侧面车门锁内扣手 DOOR INSIDE HANDLE ASSEMBLY,LH (RED)			红色
	6105113-D01	左侧面车门锁内扣手 DOOR INSIDE HANDLE ASSEMBLY,LH (PURPLISH)			亚光枣红色桃木纹
	6105113-D07-0315	左侧面车门锁内扣手 DOOR INSIDE HANDLE ASSEMBLY,LH (LIGHT BROWN)	2	D07 D08	棕黄
	6105130-D06	左侧面车门锁内扣手 DOOR INSIDE HANDLE ASSEMBLY,LH	1	D04 D06 D19 D21	
5	6105111-D01	左前侧面车门锁外拉手总成 FRONT DOOR OUTSIDE HANDLE ASSEMBLY,LH (DEER SERIES ,LIYONG , ELECTROPLATE)	1	迪尔系列	利用,电镀
	6105110-D06	左前侧面车门锁外拉手总成 FRONT DOOR OUTSIDE HANDLE ASSEMBLY,LH		D04 D06 D19 D21	
6	3704020-D01	侧面门锁锁芯总成 DOOR LOCK CYLINDER ASSEMBLY (DEER SERIES)	1	迪尔系列	

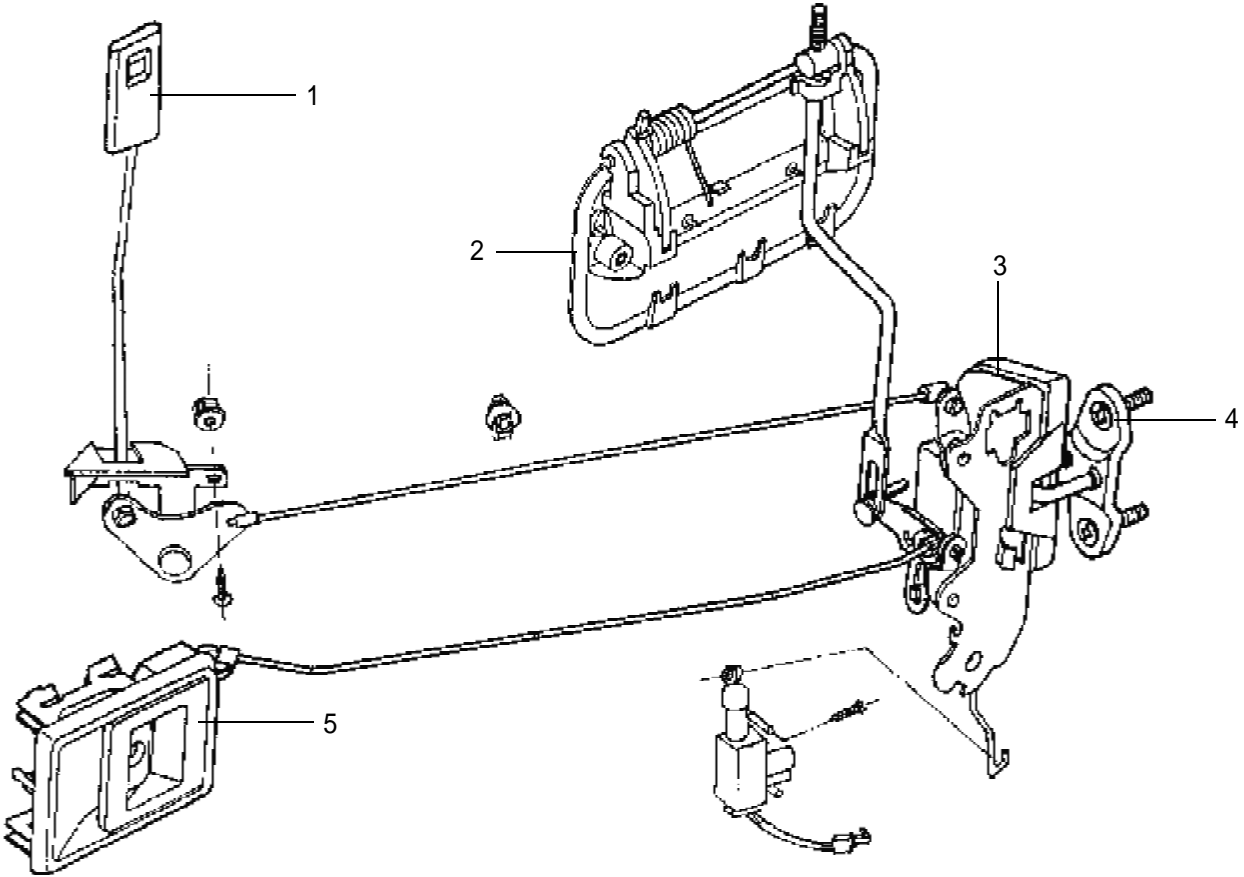


前侧面车门锁及手柄总成 FRONT DOOR LOCK AND HANDLE ASSEMBLY

序号 S/N	零部件代号 PART CODE	零部件名称 PART NAME	用量 QTY	适用车型 VEHICLE APPLICABLE TO	备注 REMARK
1	6105115-D01-0314	锁提钮 DOOR LOCK CONTROL KNOB (MODEL 2003,LIGHT COFFEE)	1	D01 D02 D03 D04 D06 D07 D08 D09 D19 D21 D23 D24 D43 D44 D45 D50 D65 D66	2003 款,浅咖啡色
	6105115-D01-0110	锁提钮 DOOR LOCK CONTROL KNOB (RED)			红色
2	6105117-D01	侧门车门锁环 STRIKER (DEER SERIES)	1	迪尔系列	
3	6105130-D01	右前侧面车门锁体总成 FRONT DOOR LOCK BODY ASSEMBLY,RH (DEER SERIES,LIYONG)	1		利用
	6105160-D06	右前侧面车门锁体总成 FRONT DOOR LOCK BODY ASSEMBLY,RH	1	D04 D06 D19 D21	
4	6105114-D01-0314	右侧面车门锁内扣手 DOOR INSIDE HANDLE ASSEMBLY,RH (MODEL 2003, ELECTROPLATE AND LIGHT COFFEE)	2	D01 D02 D03 D04 D06 D07 D08 D50 D65 D66	2003 款,电镀浅咖啡
	6105114-D01-0110	右侧面车门锁内扣手 DOOR INSIDE HANDLE ASSEMBLY,RH (RED)			红色
	6105114-D01	右侧面车门锁内扣手 DOOR INSIDE HANDLE ASSEMBLY,RH (PURPLISH)			亚光枣红色桃木纹
	6105114-D07-0315	右侧面车门锁内扣手 DOOR INSIDE HANDLE ASSEMBLY,RH (LIGHT BROWN)	2	D07 D08	棕黄
	6105140-D06	右侧面车门锁内扣手 DOOR INSIDE HANDLE ASSEMBLY,RH	1	D04 D06 D19 D21	
5	6105112-D01	右前侧面车门锁外拉手总成 FRONT DOOR OUTSIDE HANDLE ASSEMBLY,RH (DEER SERIES, LIYONG ,ELECTROPLATE)	1	迪尔系列	利用电镀
	6105120-D06	右前侧面车门锁外拉手总成 FRONT DOOR OUTSIDE HANDLE ASSEMBLY,RH		D04 D06 D19 D21	
6	3704020-D01	侧面门锁锁芯总成 DOOR LOCK CYLINDER ASSEMBLY	1	D01 D02 D03 D43 D44 D45 D46 D50 D65	
7	3791020-D01	右前侧面车门闭锁器总成 FRONT DOOR LOCK LATCH & ACTUATOR ASSEMBLY,RH	1	D01 D02 D03 D43 D44 D45 D46 D50 D65 D66	
	3791200-D06	右前侧面车门闭锁器总成 FRONT DOOR LOCK LATCH & ACTUATOR ASSEMBLY,RH	1	D04 D06 D19 D21	



后侧面车门锁及手柄总成 REAR DOOR LOCK AND HANDLE ASSEMBLY



后侧面车门锁及手柄总成 REAR DOOR LOCK AND HANDLE ASSEMBLY

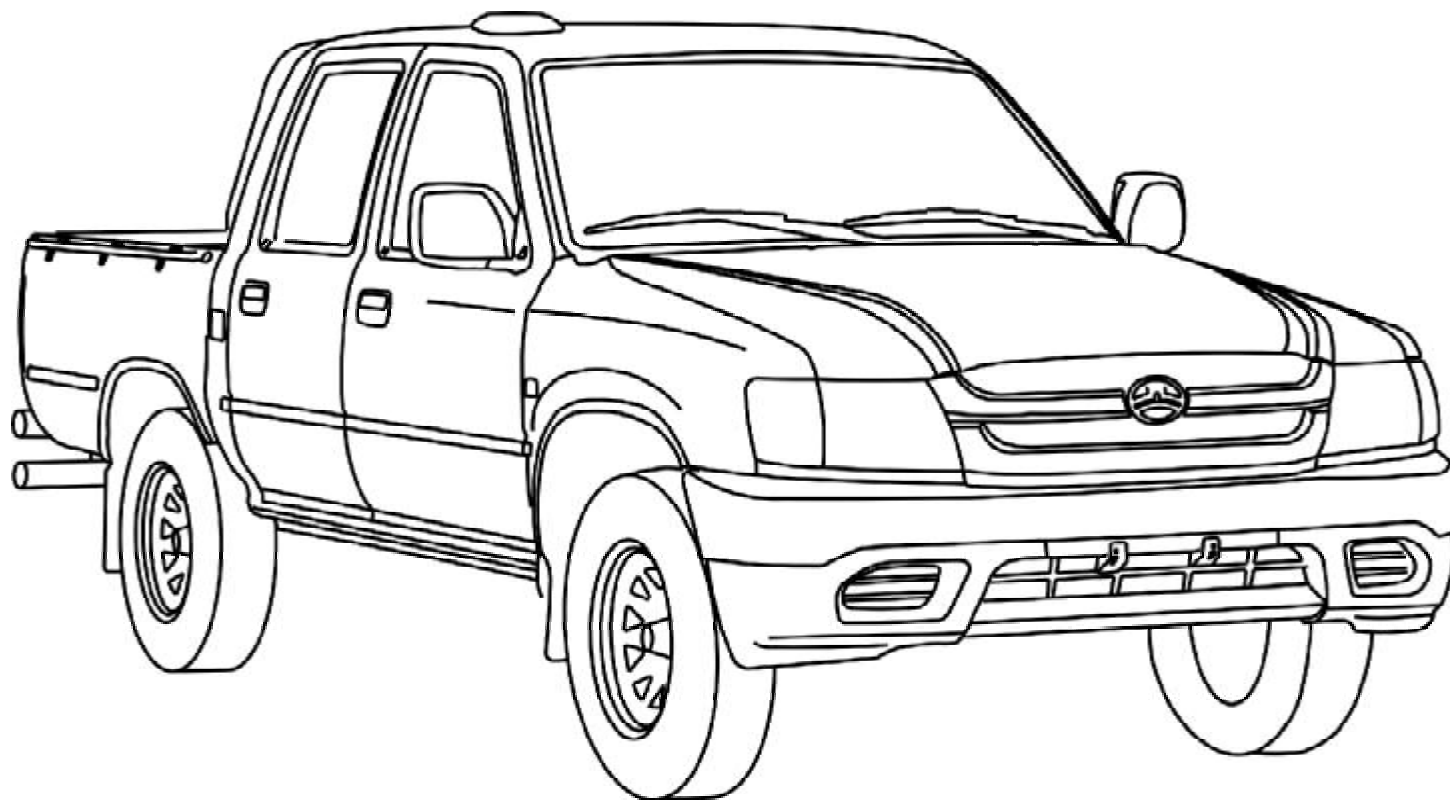
序号 S/N	零部件代号 PART CODE	零部件名称 PART NAME	用量 QTY	适用车型 VEHICLE APPLICABLE TO	备注 REMARK
	6205000-D01	后侧面车门锁总成 REAR DOOR LOCK ASSEMBLY	1	D01 D02 D03 D23 D24 D43 D44 D45 D46 D50 D65	
1	6105115-D01-0314	锁提钮 DOOR LOCK CONTROL KNOB (LIGHT COFFEE)	1	D01 D02 D03 D07 D08 D09 3 D24 D43 D44 D45 D46 D50 D65 D66	浅咖啡色
	6105115-D01-0110	锁提钮 DOOR LOCK CONTROL KNOB			
2	6205111-D01	左后侧面车门锁外拉手 REAR DOOR OUTSIDE HANDLE ASSEMBLY,LH (DEER SERIES, ELECTROPLATE)	1	迪尔系列	电镀
3	6205120-D01	左后侧面车门锁体总成 REAR DOOR LOCK BODY ASSEMBLY,LH (DEER SERIES)	1		
4	6105117-D01	侧门车门锁环 STRIKER (DEER SERIES)	1		
5	6105113-D22-0112	左侧面车门锁内扣手总成 DOOR INSIDE HANDLE ASSEMBLY,LH	1	D01 D50 D65	
	6105113-D75-0314	左侧面车门锁内扣手 DOOR INSIDE HANDLE ASSEMBLY,LH (MODEL 2003, ELECTROPLATE AND LIGHT COFFEE)	2	D01 D02 D03 D04 D06 D07 D08 D50 D65 D66	2003 款,电镀浅咖啡
	6105113-D01-0110	左侧面车门锁内扣手 DOOR INSIDE HANDLE ASSEMBLY,LH (RED)			红色
	6105113-D01	左侧面车门锁内扣手 DOOR INSIDE HANDLE ASSEMBLY,LH (PURPLISH)			亚光枣红色桃木纹



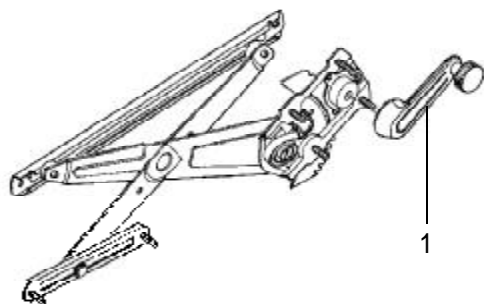
后侧面车门锁及手柄总成 REAR DOOR LOCK AND HANDLE ASSEMBLY

序号 S/N	零部件代号 PART CODE	零部件名称 PART NAME	用量 QTY	适用车型 VEHICLE APPLICABLE TO	备注 REMARK
1	6105115-D01-0314	锁提钮 DOOR LOCK CONTROL KNOB (LIGHT COFFEE)	1	D01 D02 D03 D07 D08 D09 3 D24 D43 D44 D45 D46 D50 D65 D66	浅咖啡色
	6105115-D01-0110	锁提钮 DOOR LOCK CONTROL KNOB (RED)			红色
2	6205112-D01	右后侧面车门锁外拉手 REAR DOOR OUTSIDE HANDLE ASSEMBLY,RH (DEER SERIES, ELECTROPLATE)	1	迪尔系列	电镀
3	6205130-D01	右后侧面车门锁体总成 REAR DOOR LOCK BODY ASSEMBLY,RH (DEER SERIES)	1		
4	6105117-D01	侧面门锁环 STRIKER	1	D01 D02 D03 D23 D24 D43 D44 D45 D46 D50 D65	
5	6105114-D01-0112	右侧面车门锁内扣手总成 DOOR INSIDE HANDLE ASSEMBLY,RH	1	D01 D50 D65 D65 D66	
	6105114-D01-0314	右侧面车门锁内扣手 DOOR INSIDE HANDLE ASSEMBLY,RH (MODEL 2003, ELECTROPLATE AND LIGHT COFFEE)	2		2003 款,电镀浅咖啡
	6105114-D01-0110	右侧面车门锁内扣手 DOOR INSIDE HANDLE ASSEMBLY,RH (RED)			红色
	6105114-D01	右侧面车门锁内扣手 DOOR INSIDE HANDLE ASSEMBLY,RH (PURPLISH)			亚光枣红色桃木纹

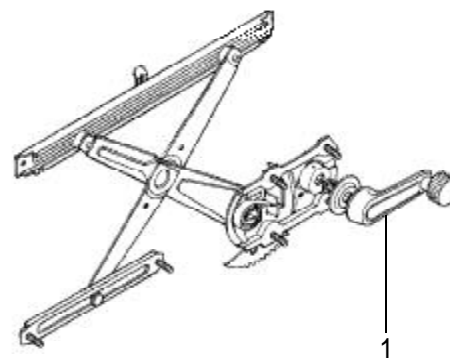




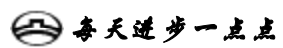
手动玻璃升降器总成 MANUAL-OPERATED WINDOW REGULATOR



A

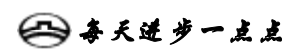


B

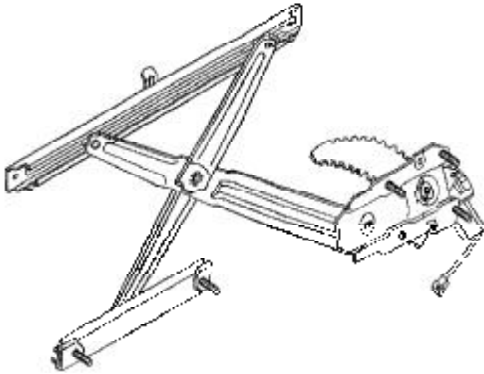


手动玻璃升降器总成 MANUAL-OPERATED WINDOW REGULATOR

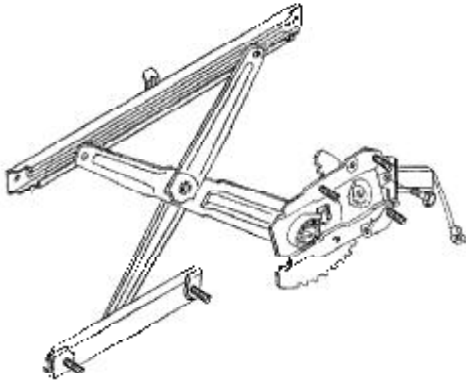
序号 S/N	零部件代号 PART CODE	零部件名称 PART NAME	用量 QTY	适用车型 VEHICLE APPLICABLE TO	备注 REMARK
A	5204010-D01	左前侧面车门玻璃升降器总成 FRONT DOOR GLASS REGULATOR ASSEMBLY,LH	1	D01 D02 D03 D07 D08 D09 D17 D18 D19 D43 D44 D45 D46 D50	
	6104020-D01	右前侧面车门玻璃升降器总成 FRONT DOOR GLASS REGULATOR ASSEMBLY,RH	1	D65 D66	
	6104100-D06	左前侧面车门玻璃升降器总成 FRONT DOOR GLASS REGULATOR ASSEMBLY,LH (SINGLE CAB, ONE AND A HALF CAB)	1	D04 D06 D19 D21 D22 D47 D48	单排,排半
	6104200-D06	右前侧面车门玻璃升降器总成 FRONT DOOR GLASS REGULATOR ASSEMBLY,RH (SINGLE CAB, ONE AND A HALF CAB)	1	D49	单排,排半
B	6204010-D01	左后侧面车门玻璃升降器总成 REAR DOOR GLASS REGULATOR ASSEMBLY,LH	1	D01 D02 D03 D07 D08 D09 D17 D18 D19 D43 D44 D45 D46 D50	
	6204010-D01	右后侧面车门玻璃升降器总成 REAR DOOR GLASS REGULATOR ASSEMBLY,RH	1	D65 D66	
1	5204011-D01-0310	玻璃升降器手柄 CRANKING BAR (MODEL 2003)	4	D01 D02 D03 D50 D65 D66	2003 款
	5204011-D01-0314	玻璃升降器手柄 CRANKING BAR (MODEL 2004A,LIGHT COFFEE, BACK WITH "SHORT" FONT)		D01 D50 D65 D66	2004A 款,浅咖啡色,背面有"短"字
	6104011-D06-0314	玻璃升降器手柄 CRANKING BAR	2	D04 D06 D19 D21	



电动玻璃升降器总成 POWER WINDOW REGULATOR ASSEMBLY



A



B



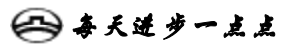
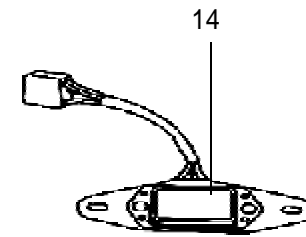
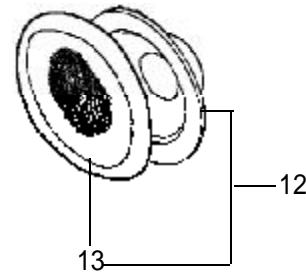
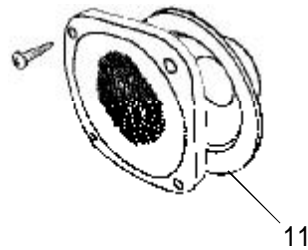
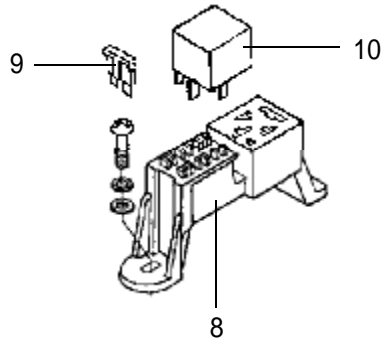
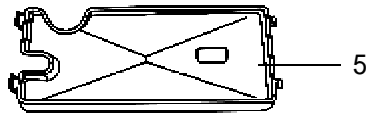
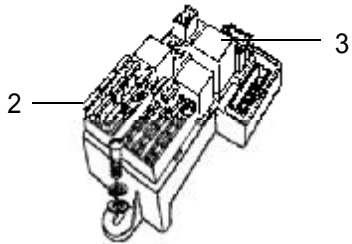
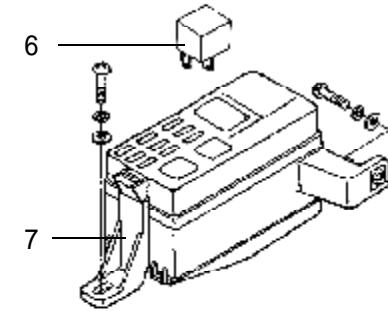
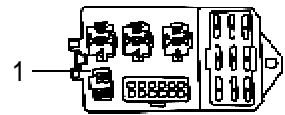
电动玻璃升降器总成 POWER WINDOW REGULATOR ASSEMBLY

序号 S/N	零部件代号 PART CODE	零部件名称 PART NAME	用量 QTY	适用车型 VEHICLE APPLICABLE TO	备注 REMARK
A	6104010-D07	左前侧面车门玻璃升降器总成 FRONT DOOR GLASS REGULATOR ASSEMBLY,LH (DEER SERIES,POWER)	1	迪尔系列	电动
	6104100-D04	左前侧面车门玻璃升降器总成 FRONT DOOR GLASS REGULATOR ASSEMBLY,LH (ONE AND A HALF CAB,SINGLE CAB)		D04 D06 D19 D21	排半 单排
	6104020-D07	右前侧面车门玻璃升降器总成 FRONT DOOR GLASS REGULATOR ASSEMBLY,RH (DEER SERIES,POWER)	1	迪尔系列	电动
	6104200-D04	右前侧面车门玻璃升降器总成 FRONT DOOR GLASS REGULATOR ASSEMBLY,RH (ONE AND A HALF CAB,SINGLE CAB)		D04 D06 D19 D21	排半 单排
B	6204010-D07	左后侧面车门电动玻璃升降器总成 REAR DOOR GLASS REGULATOR ASSEMBLY,LH (DEER SERIES,POWER)	1	迪尔系列	
	6204020-D07	右后侧面车门电动玻璃升降器总成 REAR DOOR GLASS REGULATOR ASSEMBLY,RH (DEER SERIES,POWER)	1		



每天进步一点点

电气设备（一） ELECTRICAL EQUIPMENT (1)



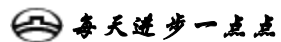
电器设备（一） ELECTRICAL EQUIPMENT (1)

序号 S/N	零部件代号 PART CODE	零部件名称 PART NAME	用量 QTY	适用车型 VEHICLE APPLICABLE TO	备注 REMARK
1	3722100-D01	一号保险盒总成 FUSE BLOCK ASSEMBLY,NO.1 (MODEL 2003)	1	D01 D02 D03 D04 D06 D17 D19 D21 D22 D23 D24 D43 D44 D46 D47 D48 D49 D62 D75 D50 D65	2003 款
2	3722100-D07	一号保险盒总成 FUSE BLOCK ASSEMBLY,NO.1 (MODEL 2004)	1	D01 D02 D07 D50 D65	2004 款
3	3735012-D01	闪光继电器 FLASHER RELAY (SHANGHAI)	1	D01 D02 D03 D04 D06 D19 D21 D22 D23 D24 D43 D44 D46 D47 D48 D49 D50 D65 D66	上海
	3735017-D01	电动窗继电器 POWER REGULATOR RELAY	1		
	3735018-D01	延时继电器 TIME DELAY RELAY	1		
	3735011-D01	灯光继电器 LIGHTING RELAY (SHANGHAI)	2		上海
	3735033-D22	灯光继电器 LIGHTING RELAY	1	D01 D02 D03 D22 D23 D24 D43 D44 D46 D47 D48 D49	JD143A-1140
4	3722200-D01	二号保险盒盖 FUSE BLOCK COVER, NO.2 (MODEL 2003)	1	D01 D02 D03 D04 D06 D19 D21 D22 D23 D24 D43 D44 D46 D47 D48 D49 D75 D50 D65	2003 款
	3722201-D17	二号保险盒盖 FUSE BLOCK COVER,NO.2 (DIESEL ENGINE)		D17	柴油
	3722201-D07-C1	二号保险盒盖 FUSE BLOCK COVER,NO.2 (MODEL 2004)		D07	2004 款
5	3722202-D01	二号保险盒底座 FUSE BLOCK SEAT,NO.2	1	D01 D02 D03 D04 D06 D17 D19 D21 D22 D23 D24 D43 D44 D46 D47 D48 D49 D62 D75 D50 D65	
6	3735015-D01	雾灯继电器 FOG LAMP RELAY (SHANGHAI)	1	D01 D02 D03 D22 D23 D24 D43 D44 D46 D47 D48 D49 D66	上海
	3735015-D06	雾灯继电器 FOG LAMP RELAY	1	D04 D06 D19 D21	
	3735023-D01	电磁扇继电器 ELECTROMAGNETIC FAN RELAY (SHANGHAI)	1	D01 D02 D03 D04 D06 D19 D21 D22 D23 D24 D43 D44 D46 D47 D48 D49 D66	上海
	3735040-K00-C2	雾灯继电器 FOG LAMP RELAY	1	D50 D65	
	3735050-K00-C2	低速风扇继电器 LOW SPEED FAN RELAY	1	D50 D65	



电气设备（一） ELECTRICAL EQUIPMENT (1)

序号 S/N	零部件代号 PART CODE	零部件名称 PART NAME	用量 QTY	适用车型 VEHICLE APPLICABLE TO	备注 REMARK
6	3735024-D07	低速风扇继电器 LOW SPEED FAN RELAY	1	D62 D63 D64 D66	
	3735025-D07	高速风扇继电器 HIGH SPEED FAN RELAY	1		
	3735025-F04	高速风扇继电器 HIGH SPEED FAN RELAY	1	D66	
	3735050-K00-C2	高速风扇继电器 HIGH SPEED FAN RELAY	1	D50 D65	
	3735031-D17	充电继电器 CHARGING RELAY	1	D16 D17 D18 D19 D21 D66	
	3735027-D62	起动机继电器 TRIGGER RELAY (ECONOMY)	1	D62 D66	经济型
	3735029-D62	喇叭继电器 HORN RELAY (TONGYONG)	1		通用
	3735040-K00-C2	喇叭继电器 HORN RELAY	1	D50 D65	
□ 7	3722200-D01	二号保险盒总成 FUSE BLOCK ASSEMBLY,NO.2	1	D01 D02 D03 D04 D06 D19 D21 D22 D23 D24 D43 D44 D46 D47 D48 D49 D50 D65 D75	
	3722200-D07-C1	二号保险盒总成 FUSE BLOCK ASSEMBLY,NO.2		D07	
8	3722300-D01	三号保险盒总成 FUSE BLOCK ASSEMBLY,NO.3	1	D01 D02 D03 D04 D06 D19 D21 D17 D22 D23 D24 D43 D44 D46 D47 D48 D49 D62 D50 D65 D75	
9	3722011-D01	5A 保险丝 FUSE 5A	1	D01 D02 D03 D04 D06 D19 D21 D22 D23 D24 D43 D44 D46 D47 D48 D49 D50 D65	
	3722012-D01	10A 保险丝 FUSE 10A	14		
	3722013-D01	15A 保险丝 FUSE 15A	5		
	3722014-D01	20A 保险丝 FUSE 20A	1		
	3722015-D01	30A 保险丝 FUSE 30A	2		
10	3735012-D22	刮水间歇继电器 WIPER INTERMITTENT RELAY	1	D01 D02 D03 D22 D23 D24 D43 D44 D46 D47 D48 D49 D50 D65	
	3735016-D01	制冷压缩机继电器 COMPRESSOR RELAY (SHANGHAI)	1	D66	上海

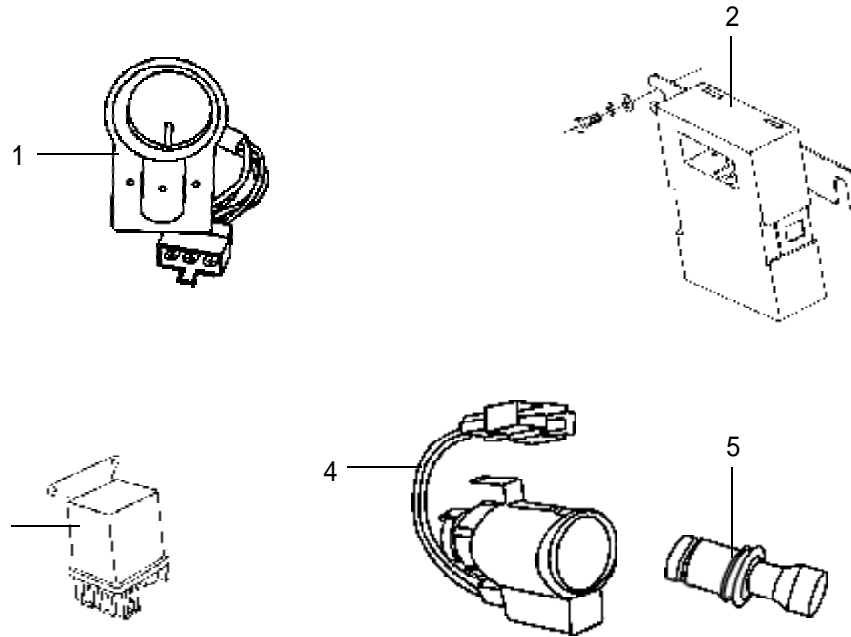


电气设备（一） ELECTRICAL EQUIPMENT (1)

序号 S/N	零部件代号 PART CODE	零部件名称 PART NAME	用量 QTY	适用车型 VEHICLE APPLICABLE TO	备注 REMARK
10	3735019-D01	燃油泵继电器 FUEL PUMP RELAY	1	D01 D02 D03 D06 D22 D23 D24 D43 D44 D46 D47 D48 D49 D50 D65 D66	
	3735022-D01	ECU 继电器 ECU RELAY	1		
	3735014-D01	空调继电器 A/C RELAY (5 PINS)	1	D01 D02 D03 D06 D21 D22 D23 D24 D43 D44 D46 D47 D48 D49 D50 D65 D66	5 脚
	3735014-D07	空调继电器 A/C RELAY (4 PINS)	1	D01 D02 D03 D07 D22 D23 D24 D43 D44 D46 D47 D48 D49	4 脚
	3735040-K00-C2	空调继电器 A/C RELAY	1	D50 D65	
	3735040-K00-C2	燃油泵继电器 FUEL PUMP RELAY	1		
	3735040-K00-C2	ECU 继电器 ECU RELAY	1		
11	7901020-D01-B2	CD 机前扬声器总成 FRONT SPEAKER ASSEMBLY , CD PLAYER	2	D01 D02 D03 D22 D23 D24 D43 D44 D46 D47 D48 D49 D50 D65	
	7901030-D01	后扬声器总成 REAR SPEAKER ASSEMBLY (4 SOUND TRACK)	2	D43 D44 D45 D46	四声道
12	7901020-D07	前扬声器总成 FRONT SPEAKER ASSEMBLY	2	D07 D66	
13	7901050-D07-0314	扬声器面罩总成 SPEAKER COVER ASSEMBLY	2	D07 D66	
14	3702010-D01	发电机调节器总成 REGULATOR ASSEMBLY,GENERATOR	1	D01 D02 D03 D22 D23 D24 D43 D44 D46 D47 D48 D49	

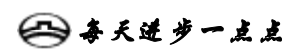


电气设备（二） ELECTRICAL EQUIPMENT (2)

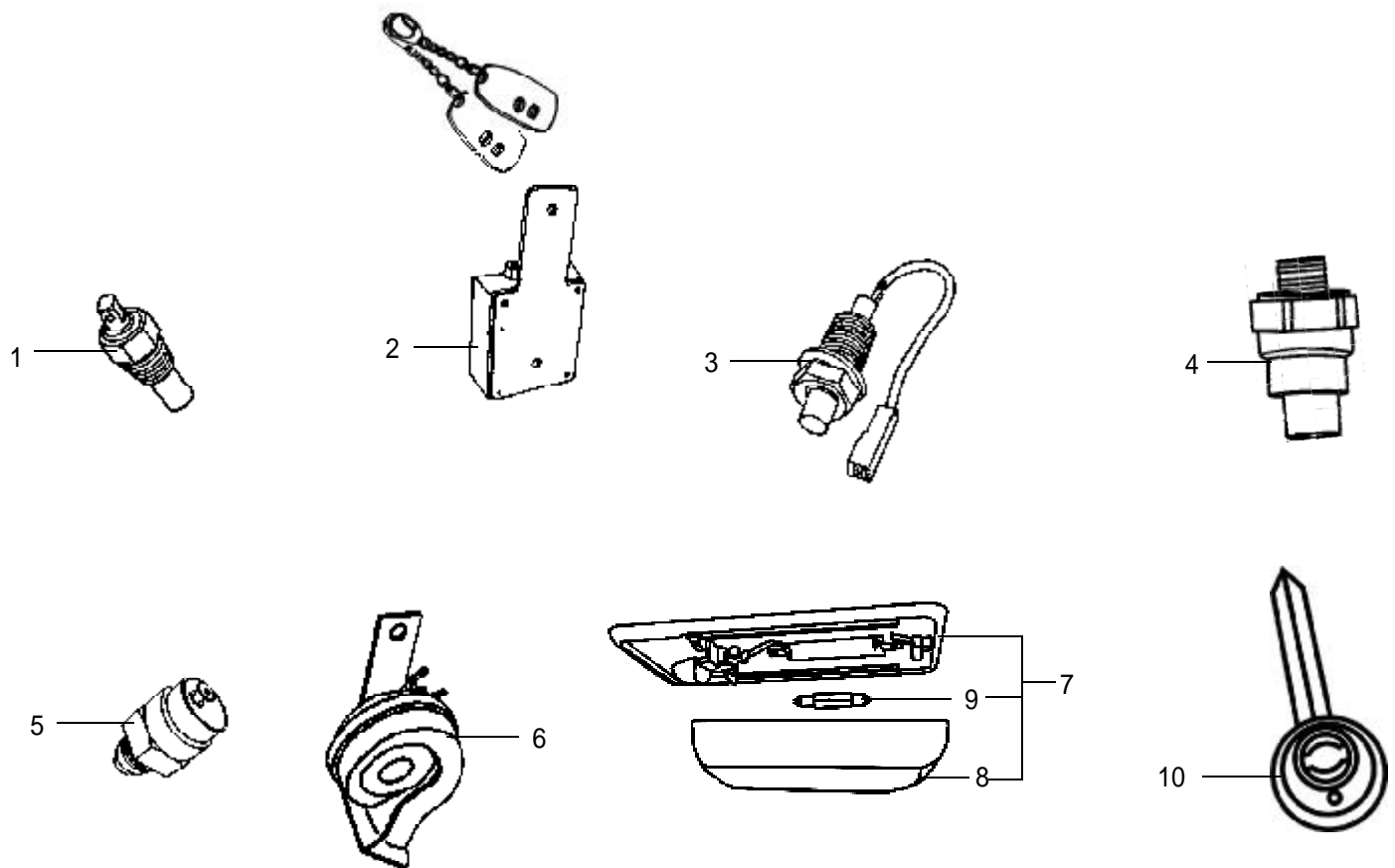


电器设备（二） ELECTRICAL EQUIPMENT (2)

序号 S/N	零部件代号 PART CODE	零部件名称 PART NAME	用量 QTY	适用车型 VEHICLE APPLICABLE TO	备注 REMARK
1	5305031-D07	电控四驱换挡开关 ELECTRICALLY-CONTROLLED 4WD GEAR SHIFT SWITCH	1	D07 D08	
2	3735032-D17	预热定时继电器 PREHEAT TIME RELAY	1	D16 D17 D18 D21 D66	
3	3735026-D17	冷启动继电器 COLD START RELAY	1	D16 D17 D18 D19 D21	
	3735028-D17	预热继电器 PREHEATING RELAY			
	3735028-D66	预热继电器 PREHEATING RELAY	1	D66	
4	3725011-D07	点烟器座 CIGAR LIGHTER SEAT (MODEL 2004)	1	D01 D02 D03 D07 D08 D50 D65 D66	2004 款
5	3725010-D07	点烟器总成 CIGAR LIGHTER	1		



电气设备（三） ELECTRICAL EQUIPMENT (3)



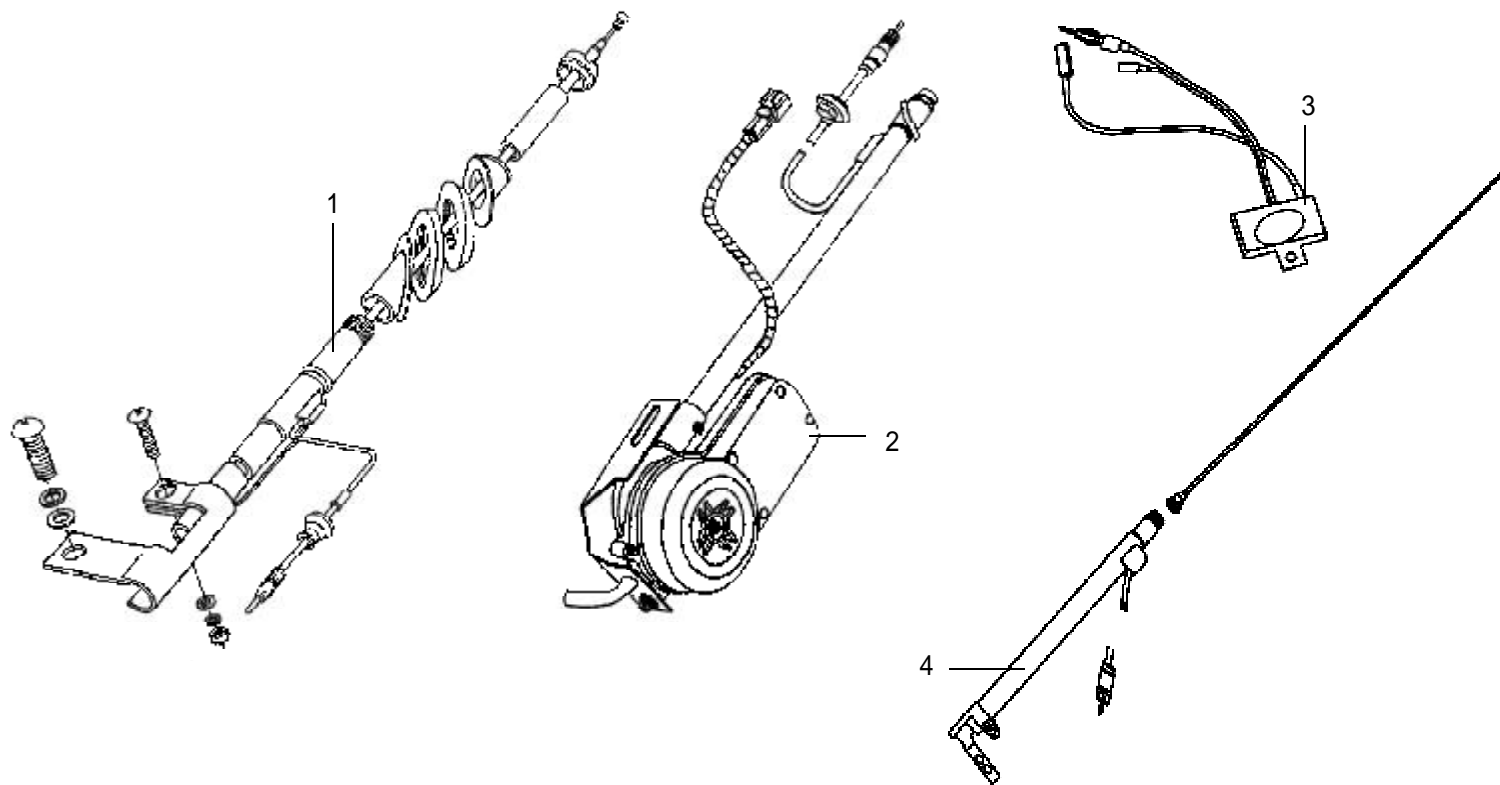
每天进步一点点

电气设备（三） ELECTRICAL EQUIPMENT (3)

序号 S/N	零部件代号 PART CODE	零部件名称 PART NAME	用量 QTY	适用车型 VEHICLE APPLICABLE TO	备注 REMARK
1	3808020-E01	水温传感器 WATER TEMPERATURE SENSOR (COLD LIGHT)	1	D01 D02 D03 D04 D06 D22 D23 D24 D43 D44 D46 D47 D48 D49 D50 D65	冷光
	3808020-E01-C1	水温传感器 WATER TEMPERATURE SENSOR		D04 D06 D17	WG108D
2	3791050-D01	中央门锁控制器总成 REMOTE CONTROL MODULE ASSEMBLY (CONTAINED 2 REMOTES)	1	D01 D02 D03 D22 D23 D24 D43 D44 D50 D65 D66	含 2 个遥控器
	3791500-D06	中央门锁控制器总成 REMOTE CONTROL MODULE ASSEMBLY		D04 D06 D19 D21	
3	4131020-D01	门灯开关 DOOR LAMP SWITCH (DEER SERIES)	4	迪尔系列	
4	3749021-D07	散热器风扇温控开关 TEMPERATURE CONTROLLED SWITCH,RADIATOR FAN	1	D04 D06 D07 D62 D66	
5	3749021-D43	散热器风扇温控开关 TEMPERATURE CONTROLLED SWITCH,RADIATOR FAN		D01 D02 D03 D22 D23 D24 D43 D44 D46 D47 D48 D49 D50 D65	
	3749021-D62	散热器风扇温控开关 TEMPERATURE CONTROLLED SWITCH,RADIATOR FAN	1	D01 D02 D03 D16 D17 D18 D62 D63 D64 D50 D65	
6	3721010-D01	电喇叭总成 ELECTRIC HORN ASSEMBLY	1	D01 D02 D03 D04 D06 D19 D21 D22 D23 D24 D43 D44 D45 D46 D47 D48 D49 D50 D65 D66	
7	4123010-D01-0310	顶灯总成 CEILING LAMP ASSEMBLY (MODEL 2003, YELLOW)	1	D01 D50 D65 D66	2003 款,黄色
	4123010-D01-0110	顶灯总成 CEILING LAMP ASSEMBLY (RED)		D01 D43 D50 D65 D66	红色
8	4123011-D01	顶灯罩 CEILING LAMP COVER	1	D01 D02 D03 D22 D23 D24 D43	
9	4123012-D01	顶灯灯泡 CEILING LAMP BULB	1	D44 D46 D47 D48 D49 D50 D65 D66	
10	3704011-D01	钥匙坯 KEY FLAN (DEER SERIES)	1	迪尔系列	



天线总成 ANTENNAASSEMBLY



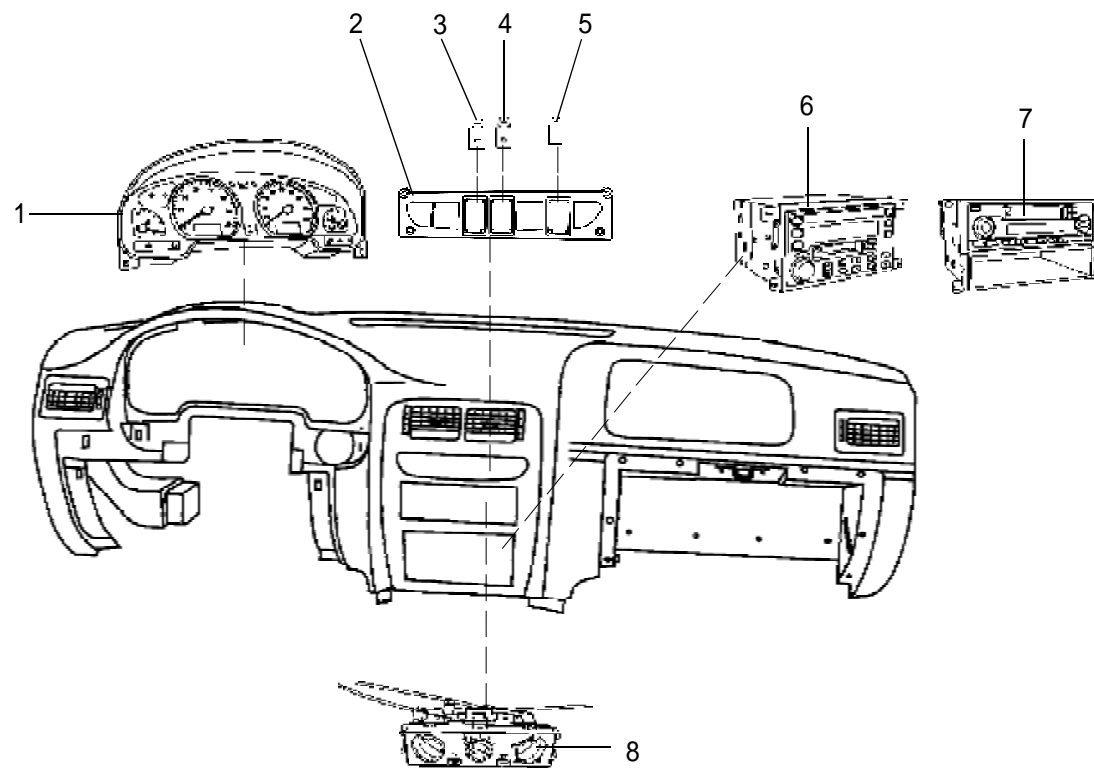
 每天进步一点点

天线总成 ANTENNA ASSEMBLY

序号 S/N	零部件代号 PART CODE	零部件名称 PART NAME	用量 QTY	适用车型 VEHICLE APPLICABLE TO	备注 REMARK
1	7903010-D01	天线总成 ANTENNA ASSEMBLY (DEER SERIES,TIE-ROD TYPE)	1	迪尔系列	拉杆
2	7903020-F02	天线总成 ANTENNA ASSEMBLY (POWER)	1	D01 D02 D03 D22 D23 D24 D43 D44 D46 D47 D48 D49 D50 D65	电动
3	7903010-D01-C1	天线放大器总成 ANTENNAFIER ASSEMBLY	1	D01 D02 D03 D16 D17 D18 D50 D65	FDQ-0502
4	7903010-D01-D1	天线总成 ANTENNA ASSEMBLY (CAN NOT EXPAND)	1	D04 D05 D06 D19 D21	不可伸缩



仪表控制台（一） INSTRUMENT CONSOLE (1)

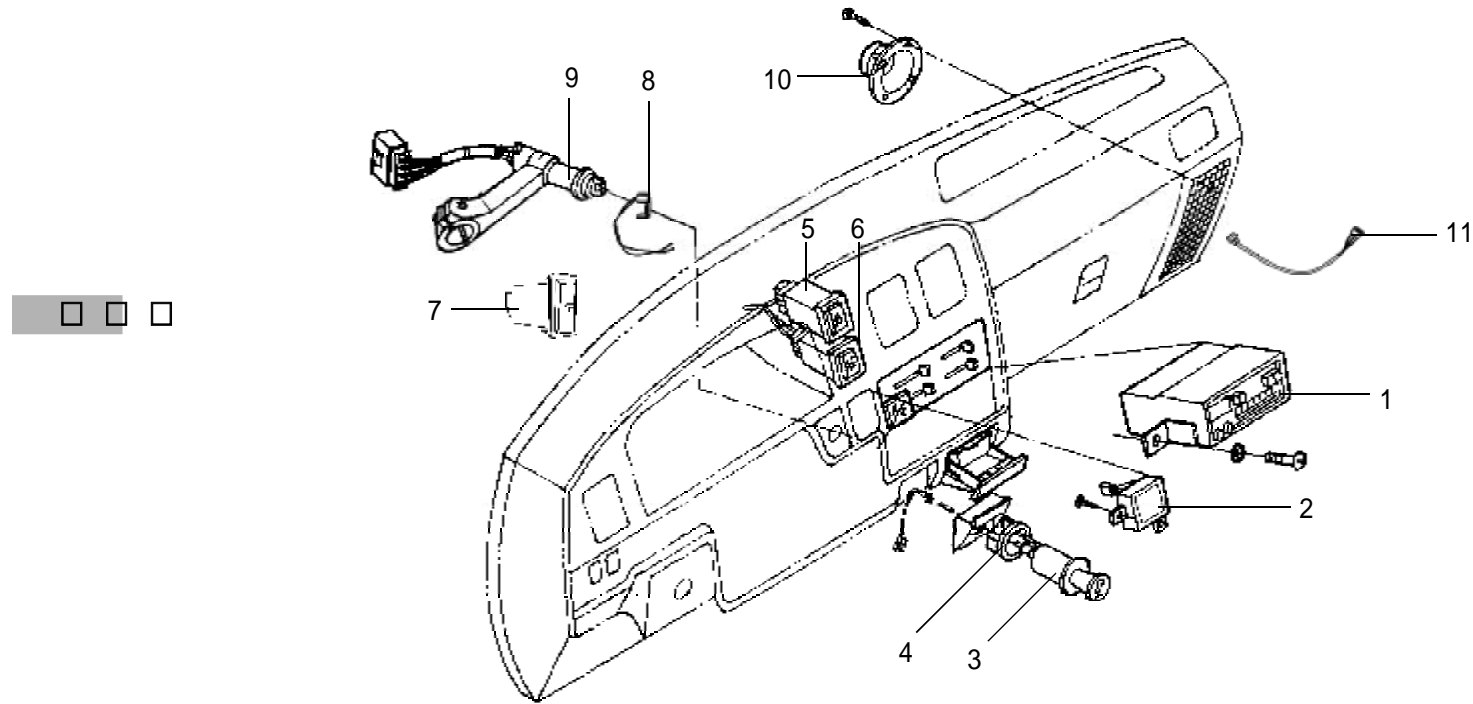


仪表控制台（一）INSTRUMENT CONSOLE (1)

序号 S/N	零部件代号 PART CODE	零部件名称 PART NAME	用量 QTY	适用车型 VEHICLE APPLICABLE TO	备注 REMARK
1	3820100-D01-A1	组合仪表总成 COMBINATION INSTRUMENT ASSEMBLY (MODEL 2004, LIQUID CRYSTAL BZ116E2)	1	D01 D02 D03 D50 D65	2004 款 , 液 晶 BZ116E2
	3820100-D01-A9	组合仪表总成 COMBINATION INSTRUMENT ASSEMBLY (MODEL 2004, LIQUID CRYSTAL BZ116E8)			2004 款 , 液 晶 BZ116E8
	3820100-D07	组合仪表总成 COMBINATION INSTRUMENT ASSEMBLY (MODEL 2004, SHAOXING ZB155A)		D07	2004 款 , 绍 兴,ZB155A
	3820100-D17-A4	组合仪表总成 COMBINATION INSTRUMENT ASSEMBLY (MODEL 2004A, DIESEL ENGINE 4D28, ZB155A2)		D16 D17 D18 D66	2004A 款,配 4D28 柴 油机,ZB155A2
	3820100-D62-A1	组合仪表总成 COMBINATION INSTRUMENT ASSEMBLY (MODEL 2004A,DIESEL ENGINE 4L68, ZB155A2A)		D62 D63 D64	2004A 款, 配 4L68 柴 油机,ZB155A2A
2	3774020-D07-0803	中间开关总成 MIDDLE SWITCH ASSEMBLY (MODEL 2004A)	1	D01 D02 D03 D07 D08 D50 D65	2004A 款
3	3732140-D07	后雾灯开关总成 SWITCH ASSEMBLY,REAR FOG LAMP	1	D66	
4	4117020-F00	警告灯开关总成 SWITCH ASSEMBLY,WARNING LAMP	1		
5	3603030-D07	防撞雷达显示屏总成 DISPLAY SCREEN ASSEMBLY,BACK-UP RADAR	1		
6	7901010-D62	收音机总成 RADIO & CASSETTE PLAYER ASSEMBLY (2 SOUND TRACK)	1	D43 D44 D46 D47 D48 D49 D62	两声道
	7901010-D07-A1	收音机总成 RADIO & CASSETTE PLAYER ASSEMBLY (MODEL 2004A, DYR-0605)		D62	2004A 款,DYR-0605
	7901100-D06	收音机总成 RADIO & CASSETTE PLAYER ASSEMBLY		D04 D06 D19 D21	
7	7901010-D07	组合音响总成 MUSIC CENTER ASSEMBLY (RADIO & CASSETTE PLAYER + GLOVE BOX)	1	D07 D66	收音机+杂物盒
8	8112000-D07	空调控制器总成 CONTROLLER ASSEMBLY,A/C	1		



仪表控制台（二） INSTRUMENT CONSOLE (2)



每天进步一点点

仪表控制台（二） INSTRUMENT CONSOLE (2)

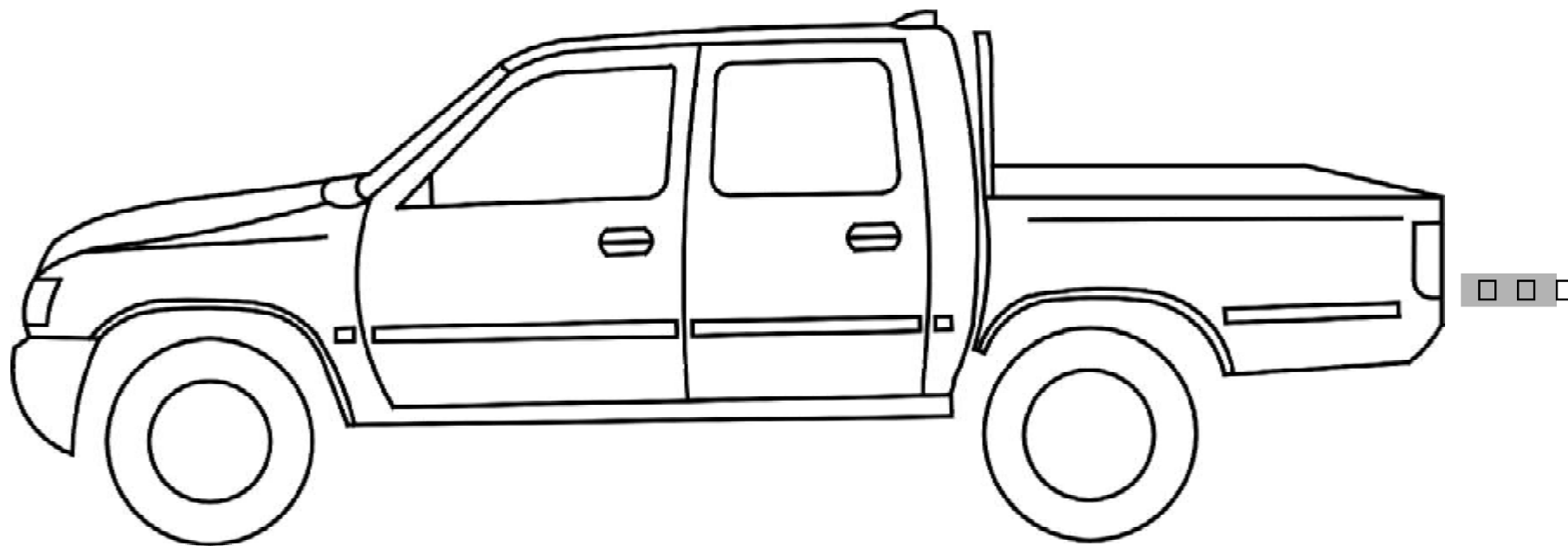
序号 S/N	零部件代号 PART CODE	零部件名称 PART NAME	用量 QTY	适用车型 VEHICLE APPLICABLE TO	备注 REMARK
1	7901010-D01	收放机总成 RADIO & CASSETTE PLAYER ASSEMBLY	1	D01 D02 D03 D22 D23 D24 D48 D49 D50 D65	
	7901010-D01-B2	CD 机总成 CD PLAYER ASSEMBLY		D01 D02 D03 D22 D23 D24 D43 D44 D46 D47 D48 D49 D50 D65	
	7901010-D01-A1	收放机总成 RADIO & CASSETTE PLAYER ASSEMBLY (TP9134, XUGANG ELECTRON)		D01 D02 D03 D50 D65 D66	TP9134,徐港电子
	7901010-D62-A4	收放机总成 RADIO & CASSETTE PLAYER ASSEMBLY (SINGLE CAB, EXPORT VEHICLE)		D62 D63 D64	深圳航盛,排半,单排出口 车用
2	3800011-D01	温度显示屏 TEMPERATURE DISPLAY SCREEN (DACHUAN)	1	D01 D02 D03 D04 D06 D19 D21 D22 D23 D24 D47 D48 D49 D50 D65	大川
3	3725011-D01	点烟器 CIGAR LIGHTER	1	D01 D02 D03 D04 D06 D19 D21 D22 D23 D24 D43 D44 D46 D47	
4	3725010-D01	点烟器座 CIGAR LIGHTER SEAT	1	D48 D49 D50 D65	
5	4117020-D22	警告灯开关总成 SWITCH ASSEMBLY,WARNING LAMP (EXPORT VEHICLE)	1	D01 D02 D03 D04 D06 D19 D21 D22 D23 D24 D43 D44 D45 D46	出口车用
	4117020-D01	警告灯开关总成 SWITCH ASSEMBLY,WARNING LAMP		D47 D48 D49 D50 D65 D66	
6	4116020-D22	雾灯开关总成 SWITCH ASSEMBLY,FOG LAMP (MODEL 2002)	1	D22 D23 D24	2002 款
	4116020-D43	雾灯开关总成 SWITCH ASSEMBLY,FOG LAMP		D04 D06 D19 D21 D22 D43 D44 D46 D47 D48 D49	
7	3741020-D22	刮水间歇开关 WIPER INTERMITTENT SWITCH ASSEMBLY	1	D22 D43 D46 D47 D48 D49	
8	3704011-D22-B1	点火开关夜视圈 IGNITION SWITCH NIGHT APERTURE	1	D22	
9	3704010-D22-A1	点火开关总成 IGNITION SWITCH ASSEMBLY	1	D01 D22 D50 D65	
	3704010-D01-B1	点火开关总成 IGNITION SWITCH ASSEMBLY (STANDARD CAB, PLASTIC FUEL FILLER)		D01 D07 D50 D65 D66	小双塑料加油口
	3704010-D01	点火开关总成 IGNITION SWITCH ASSEMBLY		D01 D07 D04 D06 D19 D21 D50 D65 D66	




仪表控制台（二） INSTRUMENT CONSOLE (2)

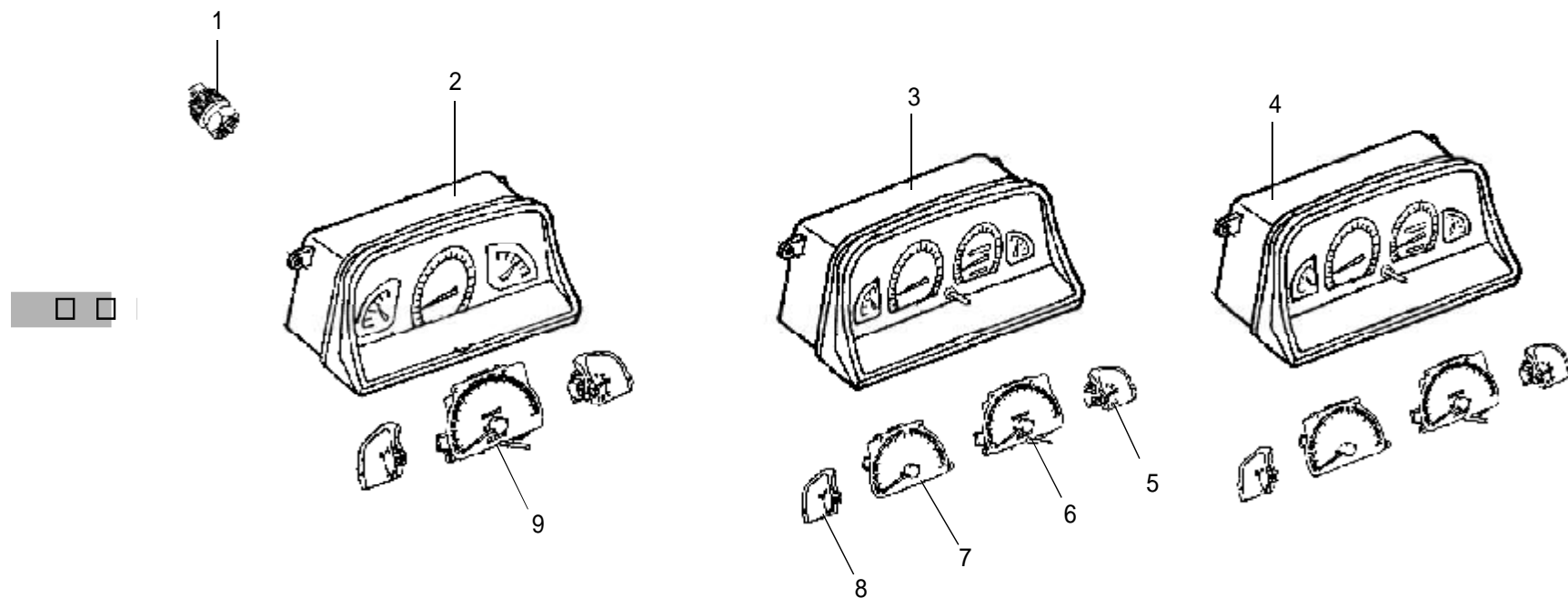
序号 S/N	零部件代号 PART CODE	零部件名称 PART NAME	用量 QTY	适用车型 VEHICLE APPLICABLE TO	备注 REMARK
9	3704010-D22	点火开关总成 IGNITION SWITCH ASSEMBLY (STANDARD CAB)	1	D22 D43 D44	小双
	3704010-D23-C1	点火开关总成 IGNITION SWITCH ASSEMBLY (MODEL 2002,LARGE DOUBLE CAB, WITHOUT APERTURE)		D02 D03 D23 D24 D47 D48 D49	2002 款,大双不带光圈
	3704010-D22-B1	点火开关总成 IGNITION SWITCH ASSEMBLY (STANDARD CAB, WITH NIGHT APERTURE)		D22 D44	小双带夜视圈
	3704010-D17	点火开关总成 IGNITION SWITCH ASSEMBLY (LARGE DOUBLE CAB,PLASTIC FUEL FILLER)		D23 D45 D46 D47 D48 D49	大双,塑料加油口
	3704010-D23-B1	点火开关总成 IGNITION SWITCH ASSEMBLY (MODEL 2002, LARGE DOUBLE CAB, WITH APERTURE)		D23 D24 D47 D48 D49	2002 款,大双带光圈
10	7901020-D01	前扬声器总成 FRONT SPEAKER ASSEMBLY (4 SOUND TRACK)	2	D04 D06 D19 D21D43 D44 D45 D46 D50 D62	四声道
11	3721020-D75	副喇叭开关总成 SWITCH ASSEMBLY,SUB-HORN (LEARNER-DRIVEN VEHICLE)	1	D70 D71 D72 D73 D74 D75	教练车





 每天进步一点点

组合仪表总成 COMBINATION INSTRUMENT ASSEMBLY



每天进步一点点

组合仪表总成 COMBINATION INSTRUMENT ASSEMBLY

序号 S/N	零部件代号 PART CODE	零部件名称 PART NAME	用量 QTY	适用车型 VEHICLE APPLICABLE TO	备注 REMARK
1	3820111-D01	里程表传感器 ODOMETER SENSOR (ELECTRONIC ODOMETER)	1	D01 D02 D03 D04 D06 D19 D21 D22 D23 D24 D43 D44 D46 D47 D48 D49 D50 D65	电子里程表
	3820111-D07	里程表传感器 ODOMETER SENSOR (THE AXLE FORKS OF THE ELECTRONIC ODOMETER ARE DIFFERENT)		D07 D08 D28 D30 D05Y	电子里程表转轴拨片不同
2	3820100-D01-A3	组合仪表总成 COMBINATION INSTRUMENT ASSEMBLY (3 INSTRUMENTS, BZ116A4B)	1	D01 D04 D06 D50	三块, BZ116A4B
	3820100-D01-A3	组合仪表总成 COMBINATION INSTRUMENT ASSEMBLY (3 INSTRUMENTS, BZ116A4A)			三块, BZ116A4A
3	3820100-D01-A4	组合仪表总成 COMBINATION INSTRUMENT ASSEMBLY (THE BOTTOM LINE OF THE WATER TEMPERATURE GAUGE WHICH IS SPEICAL FOR EXPORT VEHICLE IS 75℃, BZ116C3)	1	D01 D50	出口车专用水温表底限为 75 度 BZ116C3
	3820100-D01-B1	组合仪表总成 COMBINATION INSTRUMENT ASSEMBLY (FOR EXPORT VEHICLE, WITH 120 KM ALARM, BZ116C21)			出口车用带 120 公里报警 BZ116C21
	3820100-D01-A8	组合仪表总成 COMBINATION INSTRUMENT ASSEMBLY (MODEL 2001, 4 INSTRUMENTS, SPECIAL FOR EXPORT VEHICLE, BZ116C6)		D01 D43 D50	2001 款, 四块仪表出口车用 BZ116C6
	3820100-D01	组合仪表总成 COMBINATION INSTRUMENT ASSEMBLY (MODEL 2003, BLUE)		D01 D02 D03 D50 D65	2003 款, 蓝底光
	3820100-D22-A2	组合仪表总成 COMBINATION INSTRUMENT ASSEMBLY (MODEL 2002, SHAOXING)		D22 D23 D24	2002 款, 绍兴
	3820100-D22-A3	组合仪表总成 COMBINATION INSTRUMENT ASSEMBLY (BZ116C3)		D22 D43 D44 D45 D46 D47 D48 D49	BZ116C3
	3820100-D75	组合仪表总成 COMBINATION INSTRUMENT ASSEMBLY (LEARNER-DRIVEN VEHICLE)		D75	教练车
	3820100-D01-A5	组合仪表总成 COMBINATION INSTRUMENT ASSEMBLY		D01 D50	
	3820100-D01-A9	组合仪表总成 COMBINATION INSTRUMENT ASSEMBLY		D01 D02 D03 D50 D65	



组合仪表总成 COMBINATION INSTRUMENT ASSEMBLY

序号 S/N	零部件代号 PART CODE	零部件名称 PART NAME	用量 QTY	适用车型 VEHICLE APPLICABLE TO	备注 REMARK
3	3820100-D01-A6	组合仪表总成 COMBINATION INSTRUMENT ASSEMBLY (WITH 120KM OVERSPEED WARNING, SPECIAL FOR EXPORT VEHICLE, BZ116E7)	1	D01 D02 D03 D04 D06	带 120 公里超速报警 出口车专用 BZ116E7
	3820100-D17	组合仪表总成 COMBINATION INSTRUMENT ASSEMBLY (LIQUID CRYSTAL DISPLAY, ZB116E5)		D16 D17 D66	液晶显示 ZB116E5
	3820100-D17-A1	组合仪表总成 COMBINATION INSTRUMENT ASSEMBLY (4 INSTRUMENTS, THE DIESEL ODOMETER IS LIQUID CRYSTAL DISPLAY, BZ116E5)		D17 D37	四块柴油里程表为液 晶显示 BZ116E5
	3820100-D22-A7	组合仪表总成 COMBINATION INSTRUMENT ASSEMBLY (4 INSTRUMENTS, ZB1280)		D22 D43 D44 D45 D46 D47 D48 D49	四块仪表 ZB1280
	3820100-D62	组合仪表总成 COMBINATION INSTRUMENT ASSEMBLY (3 INSTRUMENTS, BZ116A4F)		D62	三块表 BZ116A4F
	3820100-D06-A1	组合仪表总成 COMBINATION INSTRUMENT ASSEMBLY		D04 D06	BZ116E2
	3820100-D06	组合仪表总成 COMBINATION INSTRUMENT ASSEMBLY			BZ116E8
	3820100-D21	组合仪表总成 COMBINATION INSTRUMENT ASSEMBLY		D19 D21	BZ116E4A
	3820100-D21-A1	组合仪表总成 COMBINATION INSTRUMENT ASSEMBLY			BZ116E6A
4	3820100-D17-A3	组合仪表总成 COMBINATION INSTRUMENT ASSEMBLY (DIESEL, 1:530, BZ116C15)	1	D17 D37	柴 油 1:530 BZ116C15
	3820100-D17-A2	组合仪表总成 COMBINATION INSTRUMENT ASSEMBLY (4 INSTRUMENTS, DIESEL, COLD LIGHT)			四块柴油冷光
	3820100-D22	组合仪表总成 COMBINATION INSTRUMENT ASSEMBLY (ZB128)		D22 D43 D44 D46 D47 D48 D49	ZB128
5	3820140-D22-A2	燃油表总成 FUEL GAUGE ASSEMBLY (MODEL 2002, SHAOXING)	1	D01 D02 D03 D22 D23 D24 D43 D44 D46 D47 D48 D49 D50 D65	2002 款,绍兴
	3820140-D22-C1	燃油表总成 FUEL GAUGE ASSEMBLY (4 INSTRUMENTS, SHAOXING)		D22 D43 D44 D45 D46 D47 D48 D49	四块仪表,绍兴

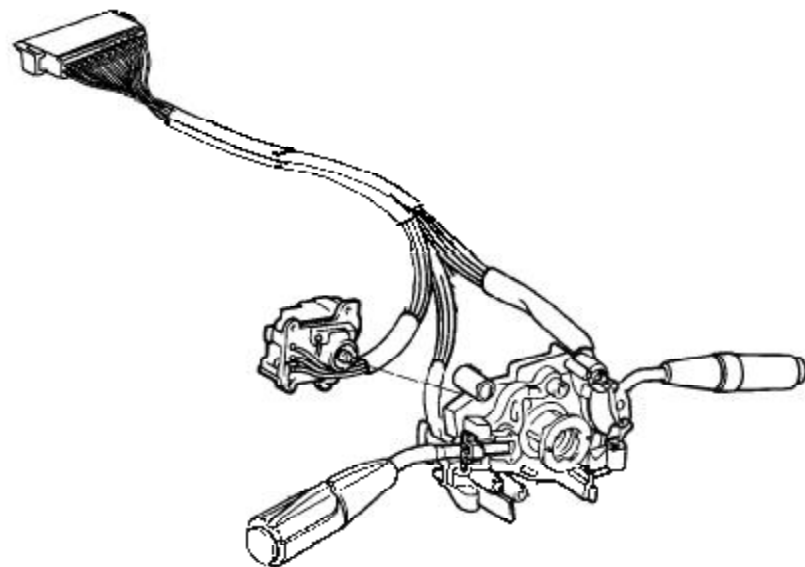


组合仪表总成 COMBINATION INSTRUMENT ASSEMBLY

序号 S/N	零部件代号 PART CODE	零部件名称 PART NAME	用量 QTY	适用车型 VEHICLE APPLICABLE TO	备注 REMARK
6	3820100-D17-A3	里程表总成 ODOMETER ASSEMBLY (4 INSTRUMENTS, DIESEL, 1: 530)	1	D17 D37 D21	四块,柴油,1: 530
	3820110-D22-A2	里程表总成 ODOMETER ASSEMBLY (MODEL 2002, SHAOXING)		D22 D23 D24	2002 款,绍兴
	3820110-D22-C1	里程表总成 ODOMETER ASSEMBLY (4 INSTRUMENTS, SHAOXING)		D22 D43 D44 D45 D46 D47 D48 D49	四块仪表,绍兴
7	3820120-D22-A2	转速表总成 TACHOMETER ASSEMBLY (ZS116C3)	1	D01 D02 D03 D22 D23 D24 D43 D44 D46 D47 D48 D49 D50 D65	ZS116C3
	3820120-D22-C1	转速表总成 TACHOMETER ASSEMBLY (4 INSTRUMENTS, SHAOXING, 240C)		D22 D43 D44 D45 D46 D47 D48 D49	四块仪表,绍兴 240C
8	3820130-D22-A2	水温表总成 WATER TEMPERATURE GAUGE ASSEMBLY		D01 D02 D03 D22 D23 D24 D43 D44 D46 D47 D48 D49 D50 D65	WD116C8
	3820130-D22-C1	水温表总成 WATER TEMPERATURE GAUGE ASSEMBLY (4 INSTRUMENTS, SHAOXING)		D22 D43 D44 D45 D46 D47 D48 D49	四块仪表,绍兴
9	3820130-D22-A5	里程表总成 ODOMETER ASSEMBLY (3 INSTRUMENTS)	1	D22 D43 D46 D47 D48 D49	三块



组合开关总成 COMBINATION SWITCH ASSEMBLY



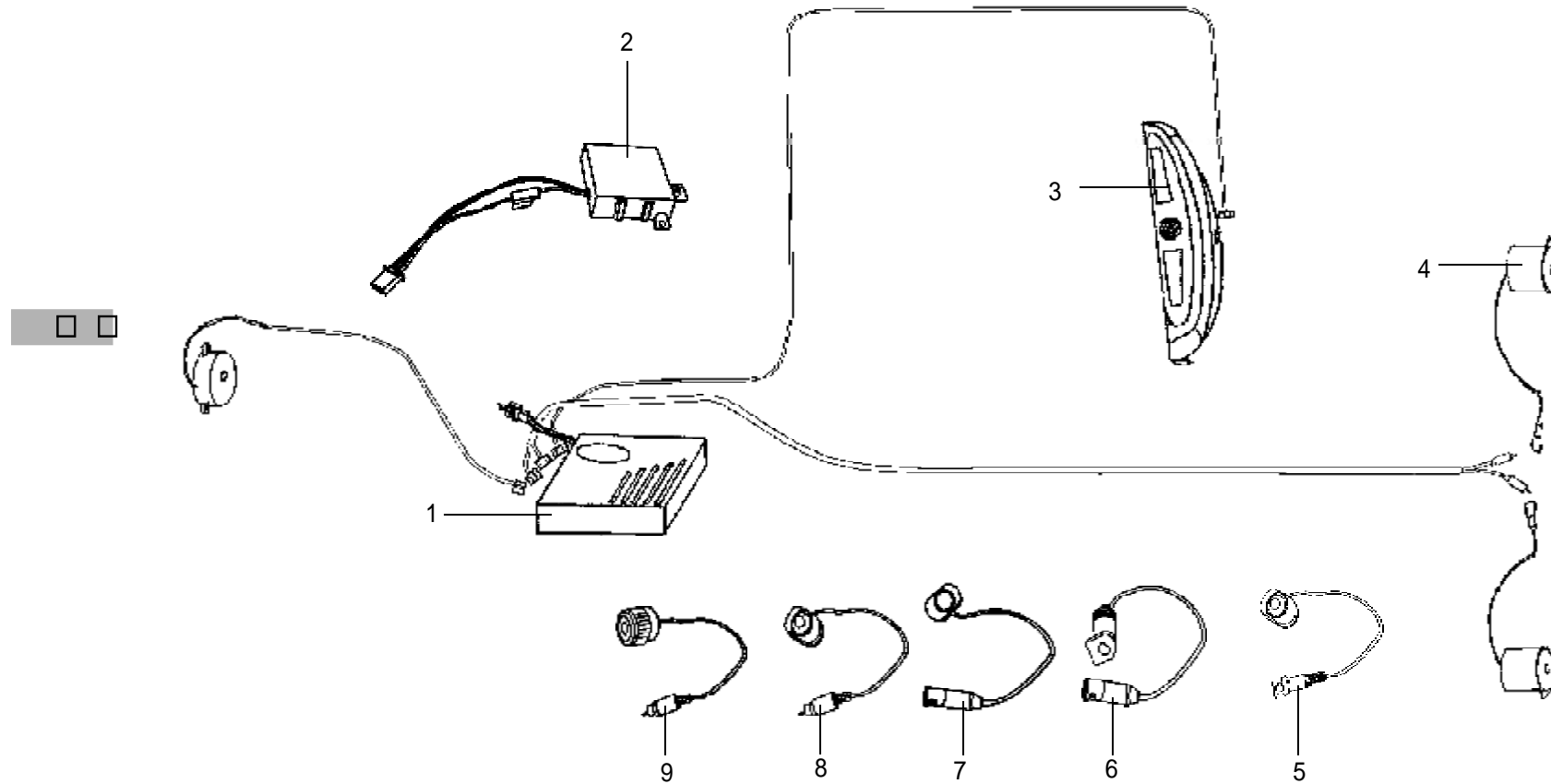
组合开关总成 COMBINATION SWITCH ASSEMBLY

序号 S/N	零部件代号 PART CODE	零部件名称 PART NAME	用量 QTY	适用车型 VEHICLE APPLICABLE TO	备注 REMARK
	3774010-D01	组合开关总成 COMBINATION SWITCH ASSEMBLY	1	D01 D02 D03 D04 D06 D07 D08 D16 D17 D18 D19 D21 D22 D23 D24 D50 D65 D66	
	3774010-D22	组合开关总成 COMBINATION SWITCH ASSEMBLY		D22 D43 D44 D45 D46 D47 D48 D49	



每天进步一点点

防撞雷达总成 BACK-UP RADAR ASSEMBLY



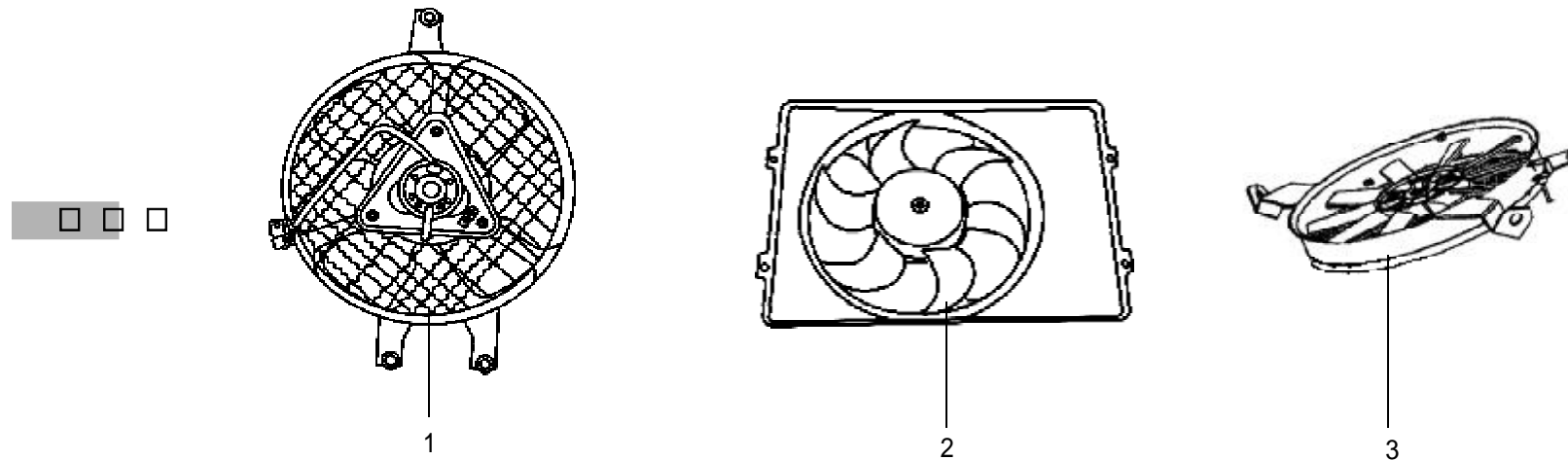
每天进步一点点

防撞雷达总成 BACK-UP RADAR ASSEMBLY

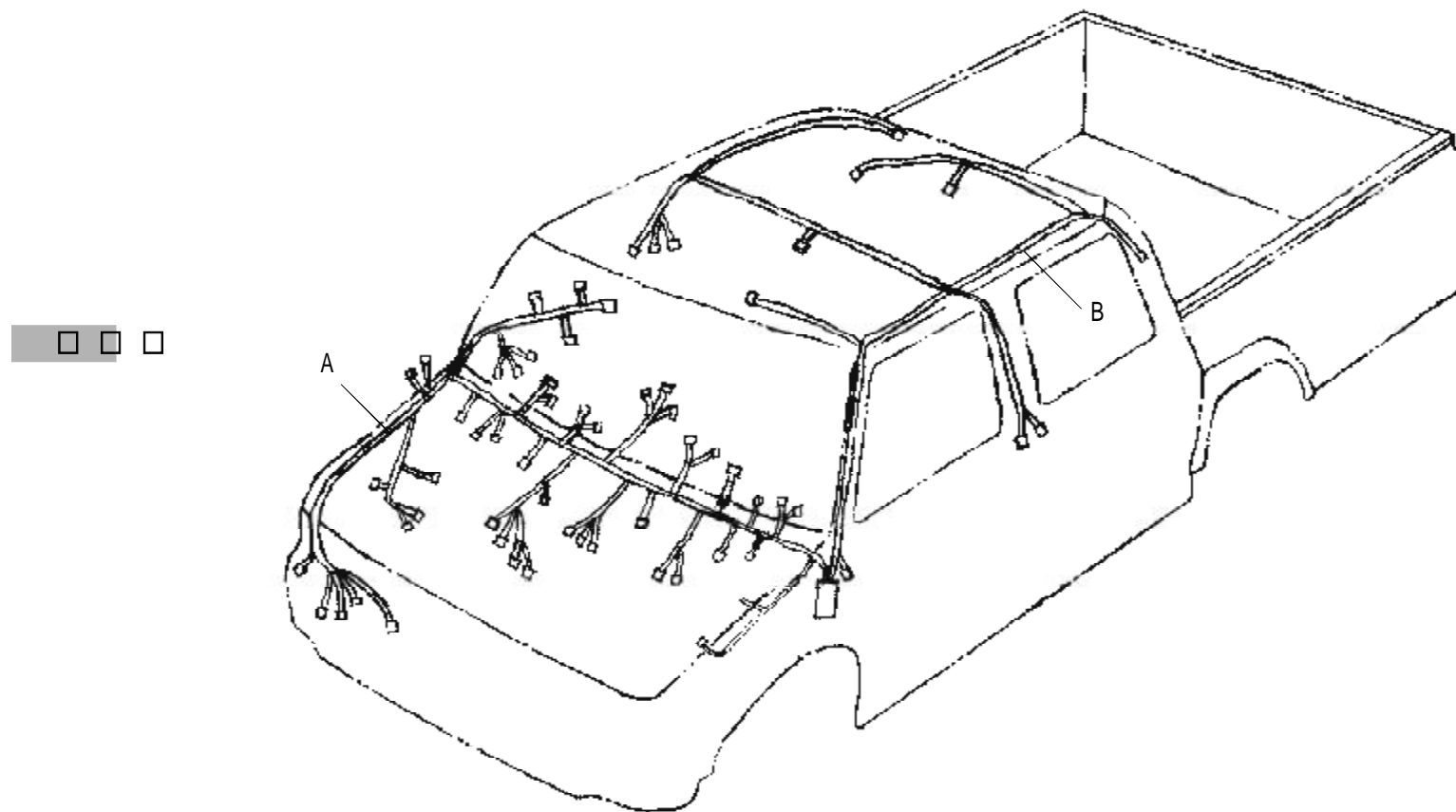
序号 S/N	零部件代号 PART CODE	零部件名称 PART NAME	用量 QTY	适用车型 VEHICLE APPLICABLE TO	备注 REMARK
1	3603010-D22	防撞雷达控制盒总成 CONTROL MODULE ASSEMBLY,BACK-UP RADAR (MODEL 2002)	1	D22 D23 D24	2002 款
	3603010-D43	防撞雷达控制盒总成 CONTROL MODULE ASSEMBLY,BACK-UP RADAR		D43 D44 D46 D47	
2	3603010-D07	防撞雷达控制盒总成 CONTROL MODULE ASSEMBLY,BACK-UP RADAR (IRON GENERAL, MODEL 2004)	1	D01 D07 D50 D65 D66	铁将军 2004 款
	3603010-D01	防撞雷达控制盒总成 CONTROL MODULE ASSEMBLY,BACK-UP RADAR		D01 D02 D03 D50 D65	
3	3603030-D43	防撞雷达显示屏总成 DISPLAY SCREEN ASSEMBLY,BACK-UP RADAR		D43 D44 D46 D47	
	3603030-D01	防撞雷达显示屏总成 DISPLAY SCREEN ASSEMBLY,BACK-UP RADAR (MODEL 2003, CREAM COLORED)		D01 D02 D03 D50 D65	2003 款,米黄
4	3603020-D43	防撞雷达探头总成 BACK-UP RADAR SENSOR ASSEMBLY	2	D22 D24	
	3603020-D07	防撞雷达探头总成 BACK-UP RADAR SENSOR ASSEMBLY (WITH WATERPROOF PLUG)		D01 D03 D07 D22 D24 D50 D65 D66	带防水插头
5	3603020-D23	防撞雷达探头总成 BACK-UP RADAR SENSOR ASSEMBLY (MODEL 2002, LARGE DOUBLE CAB)	2	D23	2002 款,大双
6	3603020-D01	防撞雷达探头总成 BACK-UP RADAR SENSOR ASSEMBLY (MODEL 2004A, DEER, STANDARD CAB)	2	D01 D50 D65	2004A 款,迪尔小双排
7	3603020-D23-A1	防撞雷达探头总成 BACK-UP RADAR SENSOR ASSEMBLY (MODEL 2002, WITH WATERPROOF PLUG, LARGE DOUBLE CAB)	2	D23	2002 款带防水插头 大双
8	3603020-D46	防撞雷达探头总成 BACK-UP RADAR SENSOR ASSEMBLY (LARGE DOUBLE CAB)	2	D46	大双
9	3603020-D22	防撞雷达探头总成 BACK-UP RADAR SENSOR ASSEMBLY	2	D22 D43 D44	



冷凝器电磁扇总成CONDENSER ELECTROMAGNETIC FAN ASSEMBLY



线束分布（一） WIRING HARNESS ARRANGEMENT (1)



每天进步一点点

线束分布（一） WIRING HARNESS ARRANGEMENT (1)

序号 S/N	零部件代号 PART CODE	零部件名称 PART NAME	用量 QTY	适用车型 VEHICLE APPLICABLE TO	备注 REMARK
A	4003100-D01	仪表板及控制台线束总成 INSTRUMENT PANEL AND CONSOLE WIRING HARNESS ASSEMBLY (MODEL 2004,UAES,WITH FUEL ALARM FUNCTION)	1	D01 D02 D03	04 款, 联合电子, 加装燃油报警功能
	4003100-D01-A2	仪表板及控制台线束总成 INSTRUMENT PANEL AND CONSOLE WIRING HARNESS ASSEMBLY (UAES,SIDE LAMP MADE IN TAIZHOU)			联合电子、改用台州侧灯
	4003100-D01-A3	仪表板及控制台线束总成 INSTRUMENT PANEL AND CONSOLE WIRING HARNESS ASSEMBLY(MODEL 04B,UAES,ELECTRONIC CONTROL A/C,WITH REAR FOG LAMP,MACX)			04B 款,联合电子,电控空调增加后雾灯线, 麦克斯
	4003100-D01-A4	仪表板及控制台线束总成 INSTRUMENT PANEL AND CONSOLE WIRING HARNESS ASSEMBLY (ABOLISHED TIME DELAY RELAY AND FACE SHIELD LAMP HARNESS)			取消延时继电器及面罩灯线束
	4003100-D01-D3	仪表板及控制台线束总成 INSTRUMENT PANEL AND CONSOLE WIRING HARNESS ASSEMBLY (MODEL 04A)			04A 款
	4003100-D01-F2	仪表板及控制台线束总成 INSTRUMENT PANEL AND CONSOLE WIRING HARNESS ASSEMBLY (WITH HIDEAWAY AERIAL)			取消电动天线, 配风挡隐藏式天线
	4003100-D66	仪表板及控制台线束总成 INSTRUMENT PANEL AND CONSOLE WIRING HARNESS ASSEMBLY			D66
	4003100-D07-D1	仪表板及控制台线束总成 INSTRUMENT PANEL AND CONSOLE WIRING HARNESS ASSEMBLY (ELECTRICALLY CONTROLLED, 4WD)		D07 D08	电控四驱用
	4003100-D17	仪表板及控制台线束总成 INSTRUMENT PANEL AND CONSOLE WIRING HARNESS ASSEMBLY (MODEL 2003, DIESEL ENGINE)		D17	柴油车用, 2003 款
	4003100-D75	仪表板及控制台线束总成 INSTRUMENT PANEL AND CONSOLE WIRING HARNESS ASSEMBLY (MODEL 03,FLOOR HAND BRAKE,WITH ELECTRIC FAN,LEARNER-DRIVEN VEHICLE)		D75	03 款地板式手刹, 电子扇, 教练车
4003100-D62-B1	仪表板及控制台线束总成 INSTRUMENT PANEL AND CONSOLE WIRING HARNESS ASSEMBLY(ECONOMY,DIESELENGINE 4L68,4 INSTRUMENTS)	D62 D63 D64	经济型, 4L68 四块表		



线束分布（一） WIRING HARNESS ARRANGEMENT (1)

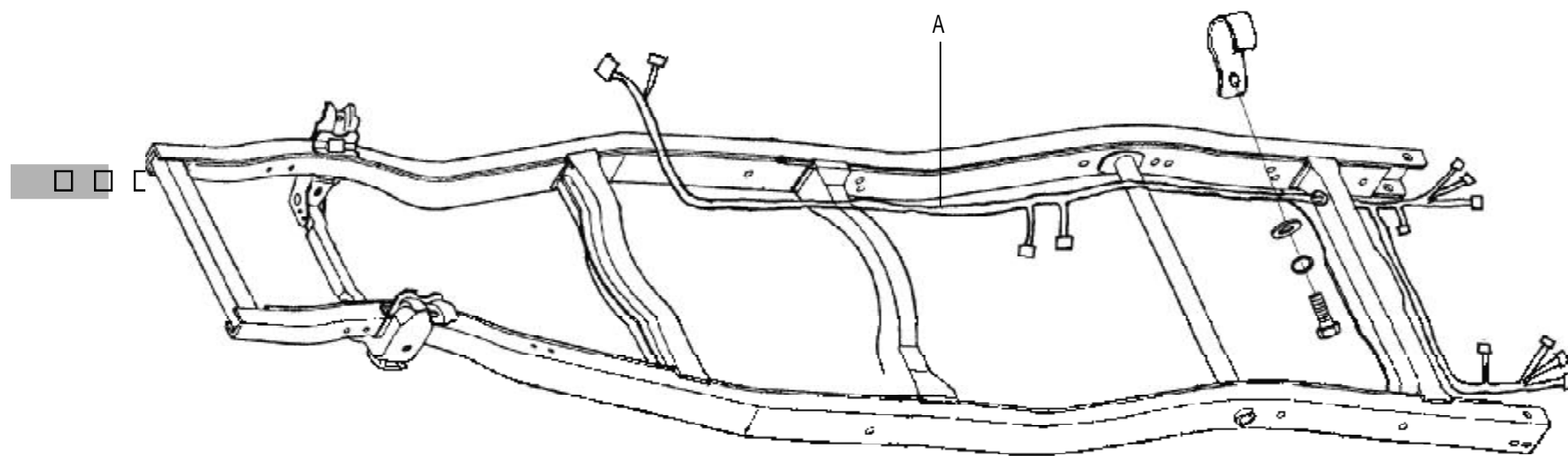
序号 S/N	零部件代号 PART CODE	零部件名称 PART NAME	用量 QTY	适用车型 VEHICLE APPLICABLE TO	备注 REMARK
A	4003100-D62	仪表板及控制台线束总成 INSTRUMENT PANEL AND CONSOLE WIRING HARNESS ASSEMBLY (ECONOMY,DIESELENGINE 4L68,3 INSTRUMENTS)	1	D62 D63 D64	经济型, 4L68 三块表
	4003100-D50	仪表板及控制台线束总成 INSTRUMENT PANEL AND CONSOLE WIRING HARNESS ASSEMBLY		D50 D65	
	4003100-D50-A1	仪表板及控制台线束总成 INSTRUMENT PANEL AND CONSOLE WIRING HARNESS ASSEMBLY			
	4003100-D50-B1	仪表板及控制台线束总成 INSTRUMENT PANEL AND CONSOLE WIRING HARNESS ASSEMBLY			
	4003100-D50-B2	仪表板及控制台线束总成 INSTRUMENT PANEL AND CONSOLE WIRING HARNESS ASSEMBLY			
	4003100-D44	仪表板及控制台线束总成 INSTRUMENT PANEL AND CONSOLE WIRING HARNESS ASSEMBLY (SINGLE POINT INJECTION)	1	D44	单点
	4003100-D44-B1	仪表板及控制台线束总成 INSTRUMENT PANEL AND CONSOLE WIRING HARNESS ASSEMBLY (4 INSTRUMENTS)		D43 D44	装四块仪表
	4003100-D43-E1	仪表板及控制台线束总成 INSTRUMENT PANEL AND CONSOLE WIRING HARNESS ASSEMBLY (MODEL 03,CARBURETOR)		D43	03 款化油器
	4003100-D43-D2	仪表板及控制台线束总成 INSTRUMENT PANEL AND CONSOLE WIRING HARNESS ASSEMBLY (MODEL 04,CARBURETOR, EXPORT, THE TURN LAMP IS CONTROLLED BY IGNITION SWITCH)		D44 D43	04 款, 化油器出口车用, 转向灯受点火开关控制
	4003100-D43-A1	仪表板及控制台线束总成 INSTRUMENT PANEL AND CONSOLE WIRING HARNESS ASSEMBLY(MODEL 01)			01 款
4003100-D43-A2	仪表板及控制台线束总成 INSTRUMENT PANEL AND CONSOLE WIRING HARNESS ASSEMBLY(3 INSTRUMENTS)			装三仪表	
4003100-D43-B1	仪表板及控制台线束总成 INSTRUMENT PANEL AND CONSOLE WIRING HARNESS ASSEMBLY (MODEL 02,CARBURETOR)			02 款化油器	

线束分布（一） WIRING HARNESS ARRANGEMENT (1)

序号 S/N	零部件代号 PART CODE	零部件名称 PART NAME	用量 QTY	适用车型 VEHICLE APPLICABLE TO	备注 REMARK
	4003100-D43-D1	仪表板及控制台线束总成 INSTRUMENT PANEL AND CONSOLE WIRING HARNESS ASSEMBLY (MODEL 04,CARBURETOR,EXPORT)	1	D44 D43	04 款, 化油器出口车 用
	4003100-D22	仪表板及控制台线束总成 INSTRUMENT PANEL AND CONSOLE WIRING HARNESS ASSEMBLY (MODEL 2002)		D22 D23	2002 款
	4003100-D17-E1	仪表板及控制台线束总成 INSTRUMENT PANEL AND CONSOLE WIRING HARNESS ASSEMBLY(ELONOMY,DIESEL ENGINE 4L68 4 INSTRUMENTS)		D17	经济型,4L68 四块表
	4003100-D04	仪表板及控制台线束总成 INSTRUMENT PANEL AND CONSOLE WIRING HARNESS ASSEMBLY		D04 D06	
	4003100-D21	仪表板及控制台线束总成 INSTRUMENT PANEL AND CONSOLE WIRING HARNESS ASSEMBLY		D21	
B	4018100-D01-A1	顶灯线束总成 WIRING HARNESS ASSEMBLY,CEILING LAMP	1	D01 D02 D03 D22 D23 D24 D50 D65 D66	
	4018100-D44	顶灯线束总成 WIRING HARNESS ASSEMBLY,CEILING LAMP		D43 D44	
	4018100-D62	顶灯线束总成 WIRING HARNESS ASSEMBLY,CEILING LAMP(ECONOMY,DIESEL ENGINE 4L68,3 INSTRUMENTS)		D62 D63 D64	经济型,4L68 三块表
	4018100-D06	顶灯线束总成 WIRING HARNESS ASSEMBLY,CEILING LAMP		D04 D06 D19 D21	



线束分布（二） WIRING HARNESS ARRANGEMENT (2)



线束分布（二） WIRING HARNESS ARRANGEMENT (2)

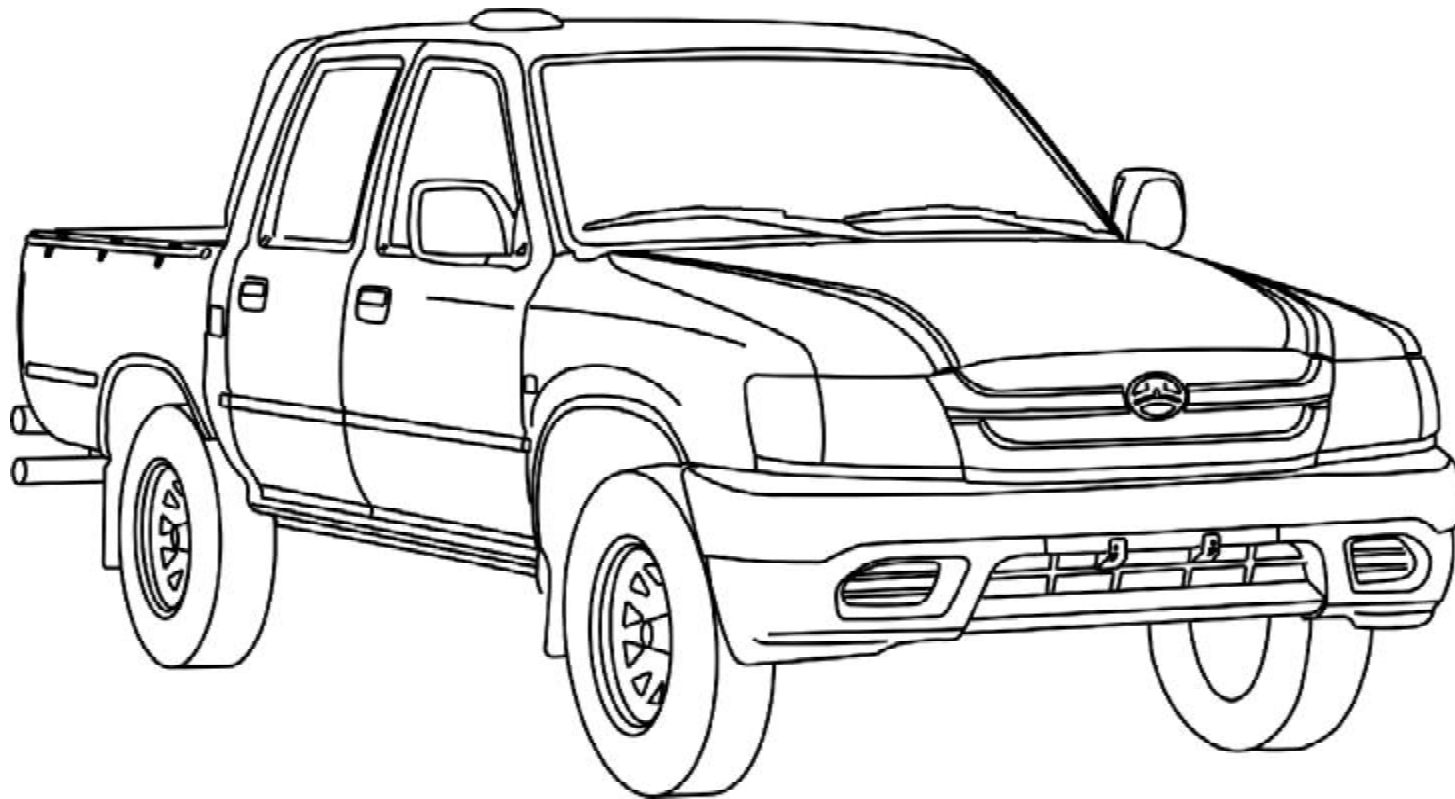
序号 S/N	零部件代号 PART CODE	零部件名称 PART NAME	用量 QTY	适用车型 VEHICLE APPLICABLE TO	备注 REMARK
A	4010100-D01-A1	车架线束总成 FRAME WIRING HARNESS ASSEMBLY (MODEL 2003, UAES)	1	D01 D50 D65	2003 款,联合电子
	4010100-D02-A1	车架线束总成 FRAME WIRING HARNESS ASSEMBLY (MODEL 2003, UAES)		D02	2003 款,联合电子
	4010100-D03-A1	车架线束总成 FRAME WIRING HARNESS ASSEMBLY (MODEL 2004, UAES,WITH FUEL ALARM FUNCTION)		D03	2004 款, 联合电子, 加装燃油报警
	4010100-D07	车架线束总成 FRAME WIRING HARNESS ASSEMBLY (MODEL 2004, UAES,WITH FUEL ALARM FUNCTION)		D07	2004 款, 联合电子, 加装燃油报警
	4010100-D07-A1	车架线束总成 FRAME WIRING HARNESS ASSEMBLY (BACK-UP RADAR CAN BE INSTALLED,WITH WATERPROOF PLUG)			
	4010100-D08	车架线束总成 FRAME WIRING HARNESS ASSEMBLY (MODEL 2004, UAES,WITH FUEL ALARM FUNCTION))		D08	2004 款, 联合电子, 加装燃油报警
	4010100-D09-A1	车架线束总成 FRAME WIRING HARNESS ASSEMBLY (MODEL 2003, UAES)		D09	2003 款、联合电子
	4010100-D09-B1	车架线束总成 FRAME WIRING HARNESS ASSEMBLY (GASOLINE ENGINE)		D04 D06	汽油
	4010100-D18-A1	车架线束总成 FRAME WIRING HARNESS ASSEMBLY (DIESEL ENGINE)		D19 D21	柴油
	4010100-D17	车架线束总成 FRAME WIRING HARNESS ASSEMBLY(MODEL 2003, DIESEL ENGINE)		D17	柴油车用, 2003 款
	4010100-D22	车架线束总成 FRAME WIRING HARNESS ASSEMBLY (MODEL 2002)		D22	2002 款
	4010100-D43	车架线束总成 FRAME WIRING HARNESS ASSEMBLY(MODEL 2001, CARBURETOR)		D43	2001 款化油器
	4010100-D43-E1	车架线束总成 FRAME WIRING HARNESS ASSEMBLY (MODEL 2004, CARBURETOR ,EXPORT)			2004 款, 化油器, 出口车用
	4010100-D44	车架线束总成 FRAME WIRING HARNESS ASSEMBLY (MODEL 2001,DELPHI ELECTRONIC INJECTION)		D22 D44	2001 款德尔福电喷



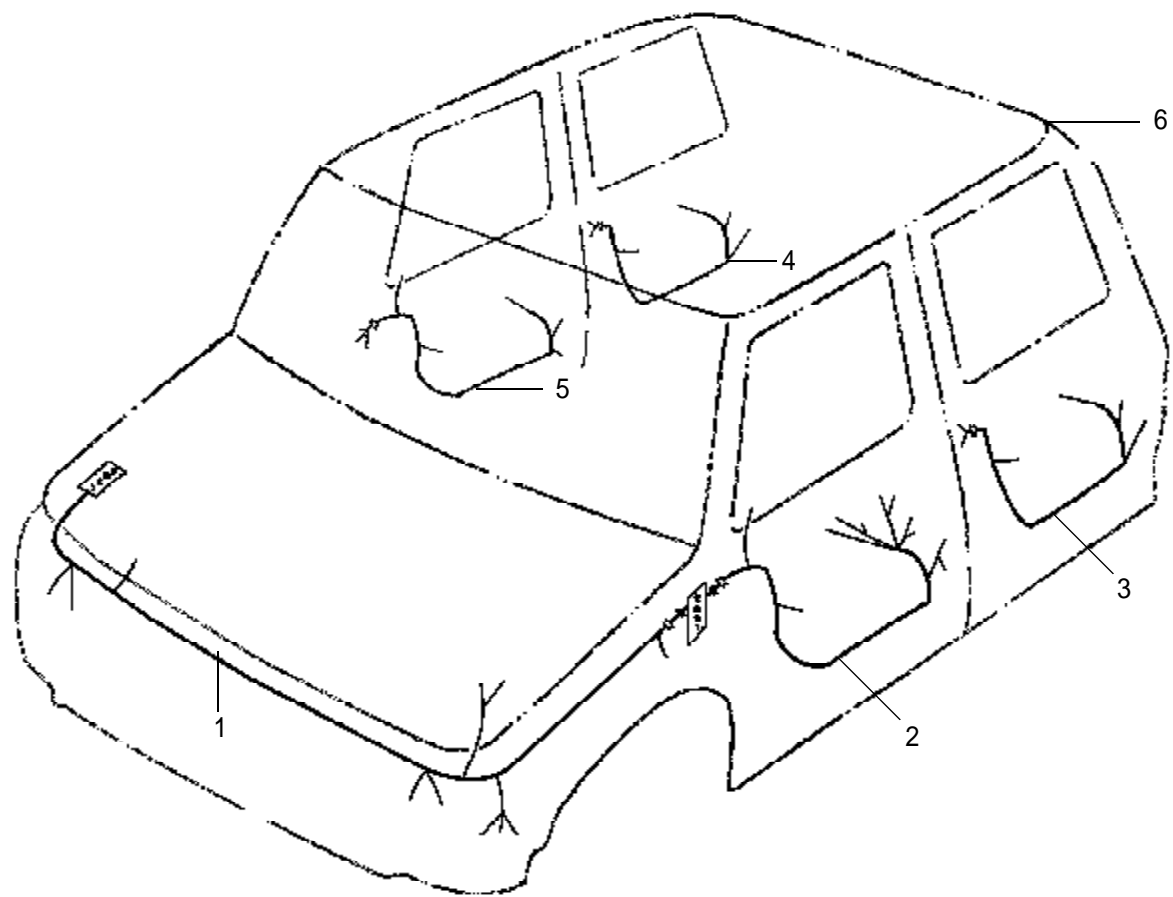
线束分布 (二) WIRING HARNESS ARRANGEMENT (2)

序号 S/N	零部件代号 PART CODE	零部件名称 PART NAME	用量 QTY	适用车型 VEHICLE APPLICABLE TO	备注 REMARK
A	4010100-D62	车架线束总成 FRAME WIRING HARNESS ASSEMBLY (ECONOMY, DIESEL ENGINE 4L68)	1	D62	经济型, 4L68 柴油机 用
	4010100-D63	车架线束总成 FRAME WIRING HARNESS ASSEMBLY (ECONOMY, DIESEL ENGINE 4L68)		D63	经济型, 4L68 柴油机 用
	4010100-D64	车架线束总成 FRAME WIRING HARNESS ASSEMBLY (ECONOMY, DIESEL ENGINE 4L68)		D64	经济型, 4L68 柴油机 用





线束分布 (三) WIRING HARNESS ARRANGEMENT (3)



线束分布（三） WIRING HARNESS ARRANGEMENT (3)

序号 S/N	零部件代号 PART CODE	零部件名称 PART NAME	用量 QTY	适用车型 VEHICLE APPLICABLE TO	备注 REMARK
1	4011100-D01-B1	机舱线束总成 ENGINE COMPARTMENT WIRING HARNESS ASSEMBLY (MODEL 2003,UAES ELECTRONIC INNER REGULATE)	1	D01	2003 款,联合电子内调
	4011100-D07	机舱线束总成 ENGINE COMPARTMENT WIRING HARNESS ASSEMBLY (MODEL 2004, UAES ELECTRONIC OUTER REGULATE)		D07	2004 款,联合电子外调
	4011100-D07-A1	机舱线束总成 ENGINE COMPARTMENT WIRING HARNESS ASSEMBLY (MODEL 2004,WITH POWER AERIAL PLUG)			2004 款,有电动天线插头
	4011100-D07-B2	机舱线束总成 ENGINE COMPARTMENT WIRING HARNESS ASSEMBLY		D04 D06	
	4011100-D07-D1	机舱线束总成 ENGINE COMPARTMENT WIRING HARNESS ASSEMBLY (MANUAL, ELECTRICALLY CONTROLLED 4WD)		D07	手动,电动四驱
	4011100-D07-D1	机舱线束总成 ENGINE COMPARTMENT WIRING HARNESS ASSEMBLY (MODEL 2003,WITH RADIATOR FAN)			2003 款,加装水箱风扇
	4011100-D17	机舱线束总成 ENGINE COMPARTMENT WIRING HARNESS ASSEMBLY		D19 D21	
	4011100-D17-B1	机舱线束总成 ENGINE COMPARTMENT WIRING HARNESS ASSEMBLY (MODEL 2003, SIDE LAMP MADE IN TAIZHOU)		D17	2003 款,改用台州侧灯
	4011100-D43	机舱线束总成 ENGINE COMPARTMENT WIRING HARNESS ASSEMBLY (MODEL 2003,DIESEL ENGINE)		D43	2003 款,柴油车用
	4011100-D43-A1	机舱线束总成 ENGINE COMPARTMENT WIRING HARNESS ASSEMBLY (MODEL 2002, DELPHI)		D22 D23 D24 D43	2002 款,德尔福
	4011100-D43-D1	机舱线束总成 ENGINE COMPARTMENT WIRING HARNESS ASSEMBLY (MODEL 2002, DIESEL ENGINE)		D44 D45 D46 D47 D48 D49	2002 款,柴油
	4011100-D62-B1	机舱线束总成 ENGINE COMPARTMENT WIRING HARNESS ASSEMBLY (MODEL 2001, CARBURETTOR)		D62 D63 D64	2001 款,化油器
	4011100-D50	机舱线束总成 ENGINE COMPARTMENT WIRING HARNESS ASSEMBLY		D50 D65	
	4011100-D50-B1	机舱线束总成 ENGINE COMPARTMENT WIRING HARNESS ASSEMBLY		D50 D65	



线束分布（三） WIRING HARNESS ARRANGEMENT (3)

序号 S/N	零部件代号 PART CODE	零部件名称 PART NAME	用量 QTY	适用车型 VEHICLE APPLICABLE TO	备注 REMARK
1	4011100-D66	机舱线束总成 ENGINE COMPARTMENT WIRING HARNESS ASSEMBLY	1	D66	
2	4002110-D01	左前侧面车门线束总成 FRONT DOOR WIRING HARNESS ASSEMBLY, LH (MANUAL-OPERATED WINDOW)	1	D01 D02 D43 D44 D45 D46 D50 D65	手动玻璃摇机
	4002110-D06	左前侧面车门线束总成 FRONT DOOR WIRING HARNESS ASSEMBLY, LH		D04 D06 D19 D21	
	4002110-D17	左前侧面车门线束总成 FRONT DOOR WIRING HARNESS ASSEMBLY, LH (POWER WINDOW REGULATOR)		D01 D02 D43 D44 D45 D46 D50 D65	电动玻璃摇机
	4002110-D07	左前侧面车门线束总成 FRONT DOOR WIRING HARNESS ASSEMBLY, LH (MODEL 04, MANUAL-OPERATED WINDOW)		D07 D66	04 款手动玻璃摇机
	4002110-D07-B1	左前侧面车门线束总成 FRONT DOOR WIRING HARNESS ASSEMBLY, LH (POWER WINDOW REGULATOR)		D07 D66	电动玻璃升降器
3	4002130-D17	左后侧面车门线束总成 REAR DOOR WIRING HARNESS ASSEMBLY, LH (POWER WINDOW REGULATOR)	1	D01 D02 D43 D44 D45 D46 D50 D65	电动玻璃升降器
	4002130-D01	左后侧面车门线束总成 REAR DOOR WIRING HARNESS ASSEMBLY, LH (MANUAL-OPERATED WINDOW)			手动玻璃升降器
	4002130-D07-B1	左后侧面车门线束总成 REAR DOOR WIRING HARNESS ASSEMBLY, LH (POWER WINDOW REGULATOR)		D07 D66	电动玻璃升降器
	4002130-D07	左后侧面车门线束总成 REAR DOOR WIRING HARNESS ASSEMBLY, LH (MANUAL-OPERATED WINDOW)			手动玻璃升降器
4	4002140-D01	右后侧面车门线束总成 REAR DOOR WIRING HARNESS ASSEMBLY, RH (MANUAL-OPERATED WINDOW)	1	D01 D02 D43 D44 D45 D46 D50 D65	手动玻璃升降器
	4002140-D17	右后侧面车门线束总成 REAR DOOR WIRING HARNESS ASSEMBLY, RH (POWER WINDOW REGULATOR)			电动玻璃升降器
	4002140-D07	右后侧面车门线束总成 REAR DOOR WIRING HARNESS ASSEMBLY, RH (MANUAL-OPERATED WINDOW)		D07 D66	手动玻璃升降器
	4002140-D07-B1	右后侧面车门线束总成 REAR DOOR WIRING HARNESS ASSEMBLY, RH (POWER WINDOW REGULATOR)			电动玻璃升降器

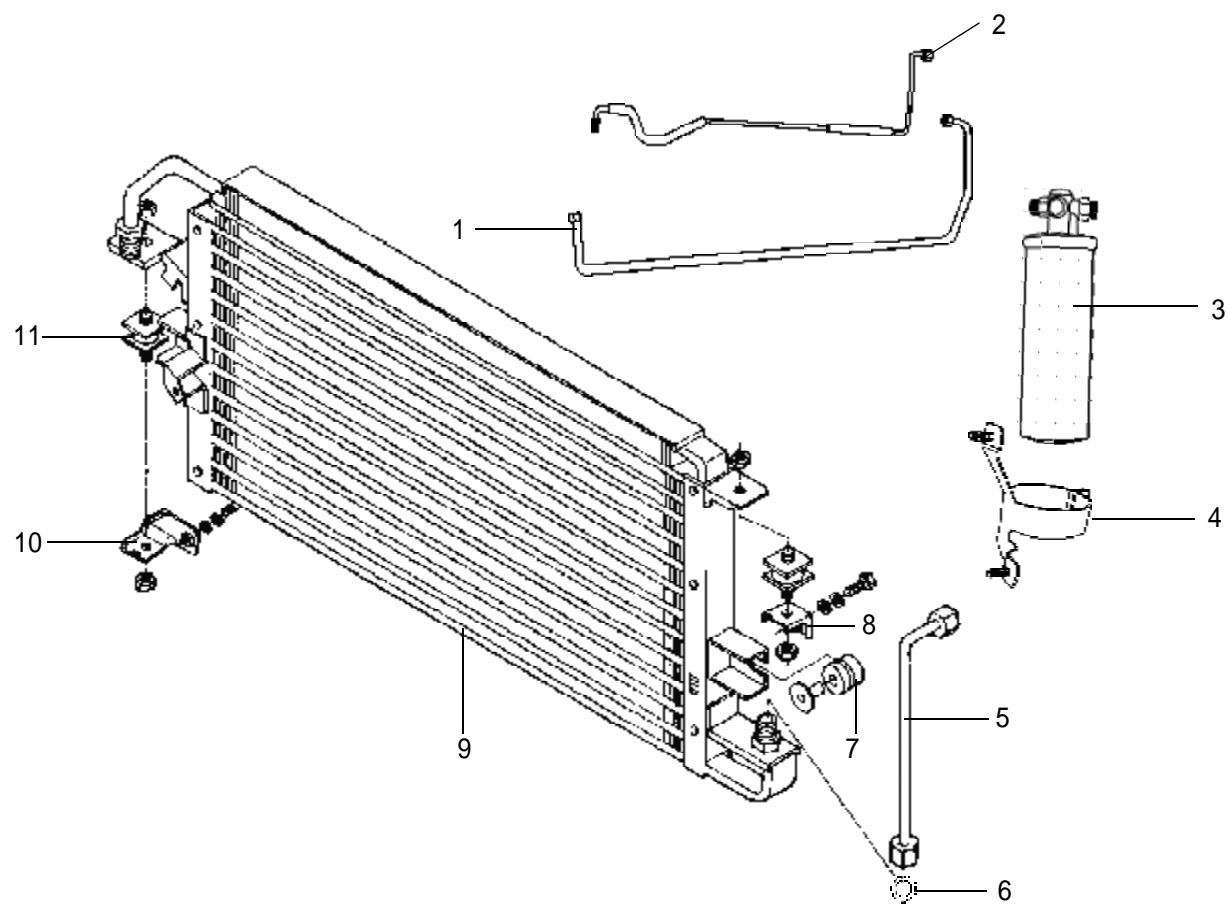


线束分布（三） WIRING HARNESS ARRANGEMENT (3)

序号 S/N	零部件代号 PART CODE	零部件名称 PART NAME	用量 QTY	适用车型 VEHICLE APPLICABLE TO	备注 REMARK
5	4002400-D01	右前侧面车门线束总成 FRONT DOOR WIRING HARNESS ASSEMBLY, RH (MANUAL-OPERATED WINDOW)	1	D01 D02 D43 D44 D45 D46 D50	手动玻璃升降器
	4002120-D17	右前侧面车门线束总成 FRONT DOOR WIRING HARNESS ASSEMBLY, RH (POWER WINDOW REGULATOR)		D65	电动玻璃升降器
	4002120-D06	右前侧面车门线束总成 FRONT DOOR WIRING HARNESS ASSEMBLY, RH		D04 D06 D19 D21	
	4002120-D07	右前侧面车门线束总成 FRONT DOOR WIRING HARNESS ASSEMBLY, RH (MANUAL-OPERATED WINDOW)		D07 D66	手动玻璃升降器
	4002120-D07-B1	右前侧面车门线束总成 FRONT DOOR WIRING HARNESS ASSEMBLY, RH (POWER WINDOW REGULATOR)			电动玻璃升降器
6	5000000-D01	车身总成 BODY ASSEMBLY (MODEL 2003)	1	D01 D50 D66	2003 款
	5000000-D17	车身总成 BODY ASSEMBLY (MODEL 2003)		D17	2003 款
	5000000-D04	车身总成 BODY ASSEMBLY (MODEL 2003)		D04 D19	2003 款
	5000000-D77	车身总成 BODY ASSEMBLY (MODEL 2003)		D77	2003 款
	5000000-D73	车身总成 BODY ASSEMBLY (MODEL 2003)		D73	2003 款
	5000000-D71	车身总成 BODY ASSEMBLY (MODEL 2003)		D73	2003 款
	5000000-D22	车身总成 BODY ASSEMBLY (MODEL 2002)		D22	2002 款
	5000000-D23	车身总成 BODY ASSEMBLY (MODEL 2002)		D23	2002 款
	5000000-D25	车身总成 BODY ASSEMBLY (MODEL 2002)		D25	2002 款
	5000000-D27	车身总成 BODY ASSEMBLY (MODEL 2002)		D27	2002 款
	5000000-D06	车身总成 BODY ASSEMBLY (MODEL 2003)		D06 D21	2003 款



空调（一）——冷凝器、储液干燥器组件
A/C (1)—CONDENSER AND RECEIVER DRYER KIT



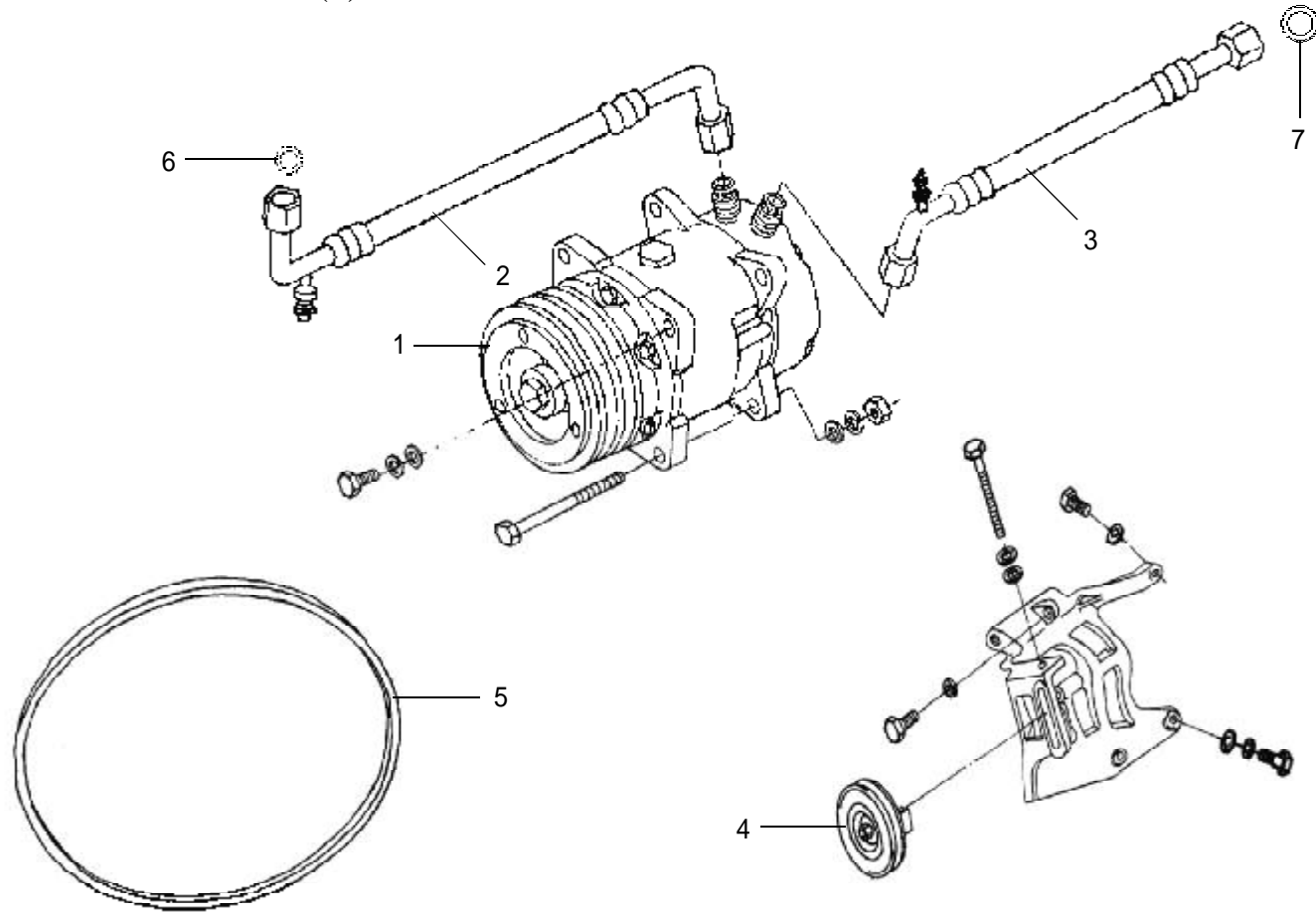
空调（一）——冷凝器、储液干燥器组件
A/C (1) -- CONDENSER AND RECEIVER DRYER KIT

序号 S/N	零部件代号 PART CODE	零部件名称 PART NAME	用量 QTY	适用车型 VEHICLE APPLICABLE TO	备注 REMARK
1	8108500-D01	储 - 蒸 高 压 硬 管 总 成 一 HIGH PRESSURE PIPE ASSEMBLY,NO.1,RECEIVER DRYER TO EVAPORATOR (MODEL 2003)	1	D01 D02 D03 D04 D06 D19 D21 D50 D65 D66	2003 款
2	8108600-D01	储 - 蒸 高 压 硬 管 总 成 二 HIGH PRESSURE PIPE ASSEMBLY,NO.2,RECEIVER DRYER TO EVAPORATOR (MODEL 2003)	1		2003 款
	8105200-F00	储 - 蒸 高 压 硬 管 总 成 二 HIGH PRESSURE PIPE ASSEMBLY,NO.2,RECEIVER DRYER TO EVAPORATOR (MODEL 2004)	1	D50 D65	2004 款
3	8109100-D01	储液干燥器组件 RECEIVER DRYER KIT	1	D01 D02 D03 D04 D06 D16 D17 D18 D19 D21D50 D65	
	8109100-F00	储液干燥器组件 RECEIVER DRYER KIT	1	D66	
4	8111012-D01	储液干燥器固定支架 MOUNTING BRACKET,RECEIVER DRYER	1	D01 D02 D03 D04 D06 D19 D21 D22 D23 D24 D43 D44 D46 D47 D48 D49 D50 D65 D66	
5	8108400-D01	储-冷高压硬管总成 HIGH PRESSURE PIPE ASSEMBLY,RECEIVER DRYER TO CONDENSER (MODEL 2003)	1	D01 D02 D03 D04 D06 D19 D21 D50 D65 D66	2003 款
	8108400-F00	储-冷高压硬管总成 HIGH PRESSURE PIPE ASSEMBLY,RECEIVER DRYER TO CONDENSER (MODEL 2004)	1	D50 D65	2004 款
6	T01-06-001	O 型圈 O RING	6	D01 D02 D03 D04 D06 D19 D21 D22 D23 D24 D43 D44 D46 D47 D48 D49 D50 D65 D66	Φ6.7×Φ1.8
7	8105017-D01	上支架减震垫 DAMPING CUSHION ,UPPER BRACKET	2		
8	8105011-D01	90° 减震支架 DAMPING BRACKET,90°	1		
9	8105000-D01	冷凝器总成 CONDENSER ASSEMBLY	1		
	8105000-F00	冷凝器总成 CONDENSER ASSEMBLY	1	D50 D65	
10	8105012-D01	120° 减震支架 DAMPING BRACKET,120°	1	D01 D02 D03 D04 D06 D19 D21 D22 D23 D24 D43 D44 D46 D47 D48 D49 D50 D65 D66	
11	8105013-D01	方减震垫 SQUARE CUSHION (SHORT)	2		短



空调（二）— 制冷压缩机总成

A/C (2) — REFRIGERATION COMPRESSOR ASSEMBLY



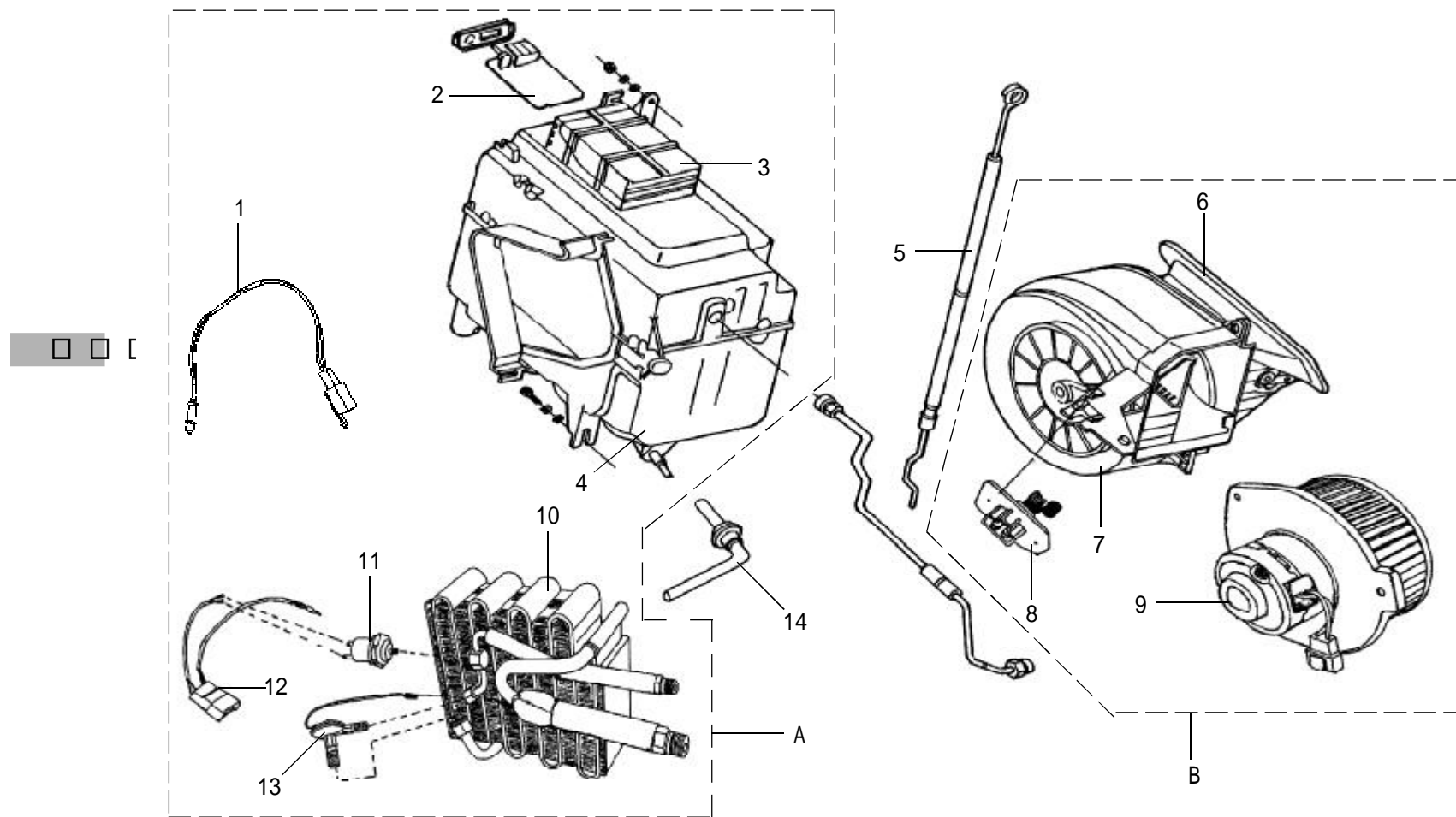
每天进步一点点

空调（二）——制冷压缩机总成 A/C (2) -- REFRIGERATION COMPRESSOR ASSEMBLY

序号 S/N	零部件代号 PART CODE	零部件名称 PART NAME	用量 QTY	适用车型 VEHICLE APPLICABLE TO	备注 REMARK
1	8103010-D01	制冷压缩机总成 REFRIGERATION COMPRESSOR ASSEMBLY	1	D01 D02 D03 D04 D06 D19 D21 D22 D23 D24 D43 D44 D46 D47 D48 D49 D50 D65	R134a
	8103010-D01-B2	制冷压缩机总成 REFRIGERATION COMPRESSOR ASSEMBLY (ENVIRONMENT PROTECTION,WUXI)		D01 D04 D05 D06 D50 D65	环保型,无锡
	8103010-D62	制冷压缩机总成 REFRIGERATION COMPRESSOR ASSEMBLY		D62 D63 D64	
2	8108100-D01	空调高压软管总成 HIGH-PRESSURE HOSE ASSEMBLY	1	D01 D02 D03 D04 D06 D19 D21 D22 D23 D24 D43 D44 D46 D47 D48 D49 D50 D65	
	8108100-D01-C1	空调高压软管总成 HIGH-PRESSURE HOSE ASSEMBLY		D50 D65	
	8108100-D17	空调高压软管总成 HIGH-PRESSURE HOSE ASSEMBLY (DIESEL ENGINE)		D17 D18 D19	柴油
	8108100-D66	空调高压软管总成 HIGH-PRESSURE HOSE ASSEMBLY		D66	
3	8108700-D01	空调低压软管总成 LOW-PRESSURE HOSE ASSEMBLY	1	D01 D02 D03 D04 D06 D19 D21 D22 D23 D24 D43 D44 D46 D47 D48 D49 D50 D65	
	8108700-D17	空调低压软管总成 LOW-PRESSURE HOSE ASSEMBLY (DIESEL ENGINE)	1	D17 D18 D19	柴油
4	8103040-D01	制冷压缩机皮带涨紧轮总成 TENSION PULLEY,REFRIGERATION COMPRESSOR	1	D01 D02 D03 D04 D06 D19 D21 D22 D23 D24 D43 D44 D46 D47 D48 D49 D50 D65	
5	8103081-D01	制冷压缩机皮带 BELT,REFRIGERATION COMPRESSOR (DEER SERIES)	1	迪尔系列	
6	T01-06-006	O 型圈 O RING	2	D01 D02 D03 D04 D06 D19 D21	Φ10.82×Φ1.78
7	T01-06-012	O 型圈 O RING	2	D22 D23 D24 D43 D44 D46 D47 D48 D49	Φ14×Φ1.78



空调（三）——蒸发器及鼓风机 A/C (3)—EVAPORATOR AND BLOWER



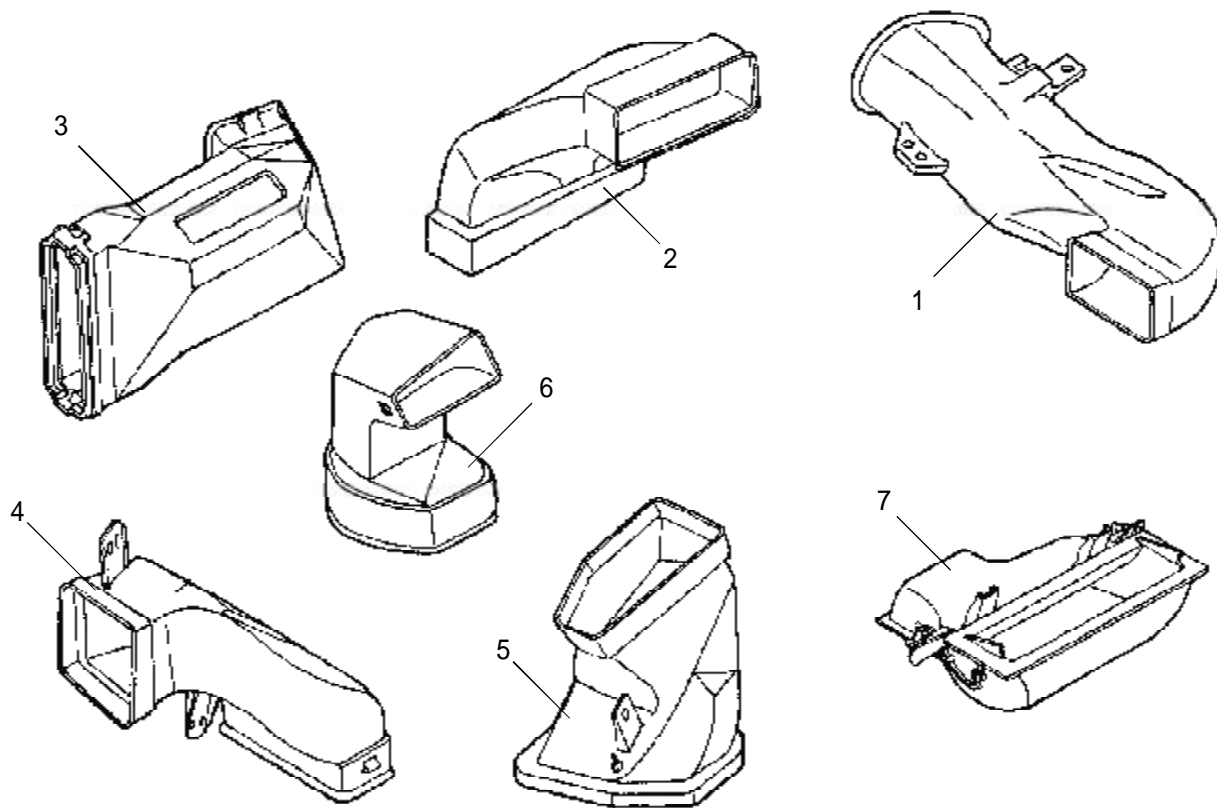
每天进步一点点

空调（三）——蒸发器及鼓风机 A/C (3) -- EVAPORATOR AND BLOWER

序号 S/N	零部件代号 PART CODE	零部件名称 PART NAME	用量 QTY	适用车型 VEHICLE APPLICABLE TO	备注 REMARK	
A	8107000-D01	蒸发器总成 EVAPORATOR ASSEMBLY	1	D01 D02 D03 D04 D06 D19 D21 D22 D23 D24 D43 D44 D46 D47 D48 D49 D50 D65	R134a	
B	8104000-D01	鼓风机总成 BLOWER ASSEMBLY	1			
1	3809012-D01	室内温度传感器 INDOOR TEMPERATURE SENSOR	1			
2	8111011-D43-B1	空调控制器放大板 A/C CONTROL MODULE	1		D22 D23 D24 D43 D44 D46 D47 D48 D49	
	8111011-D17	空调控制器放大板 A/C CONTROL MODULE (DIESEL ENGINE 4D28)			D16 D17 D18 D19 D20 D21 D66	4D28
3	8107011-D01	蒸发器上壳体 UPPER HOUSING, EVAPORATOR	1			
4	8107012-D01	蒸发器下壳体 LOWER HOUSING, EVAPORATOR	1			
5	8112018-D01	控制拉线四 CONTROL CABLE, NO.4	1			
6	8104011-D01	鼓风机上壳体 UPPER HOUSING, BLOWER	1			
7	8104012-D01	鼓风机下壳体 LOWER HOUSING, BLOWER	1			
8	8104200-D01	调速电阻组件 SPEED REGULATOR RESISTOR KIT	1			
9	8104000-D01	鼓风机总成 BLOWER ASSEMBLY	1			
10	8107100-D01	蒸发器芯组件 EVAPORATOR CORE KIT	1			R134a
11	8107150-D01	压力开关组件 PRESSURE SWITCH KIT	1			
12	8107130-D01	热敏电阻组件 THERMAL RESISTOR KIT	1			
13	8107120-D01	膨胀阀 EXPANSION VALVE	1		R134a	
14	8107021-D01	滴水管 WATER DRAIN HOSE	1			



空调（四）——风道（一） A/C (4) —AIR TUNNEL(1)

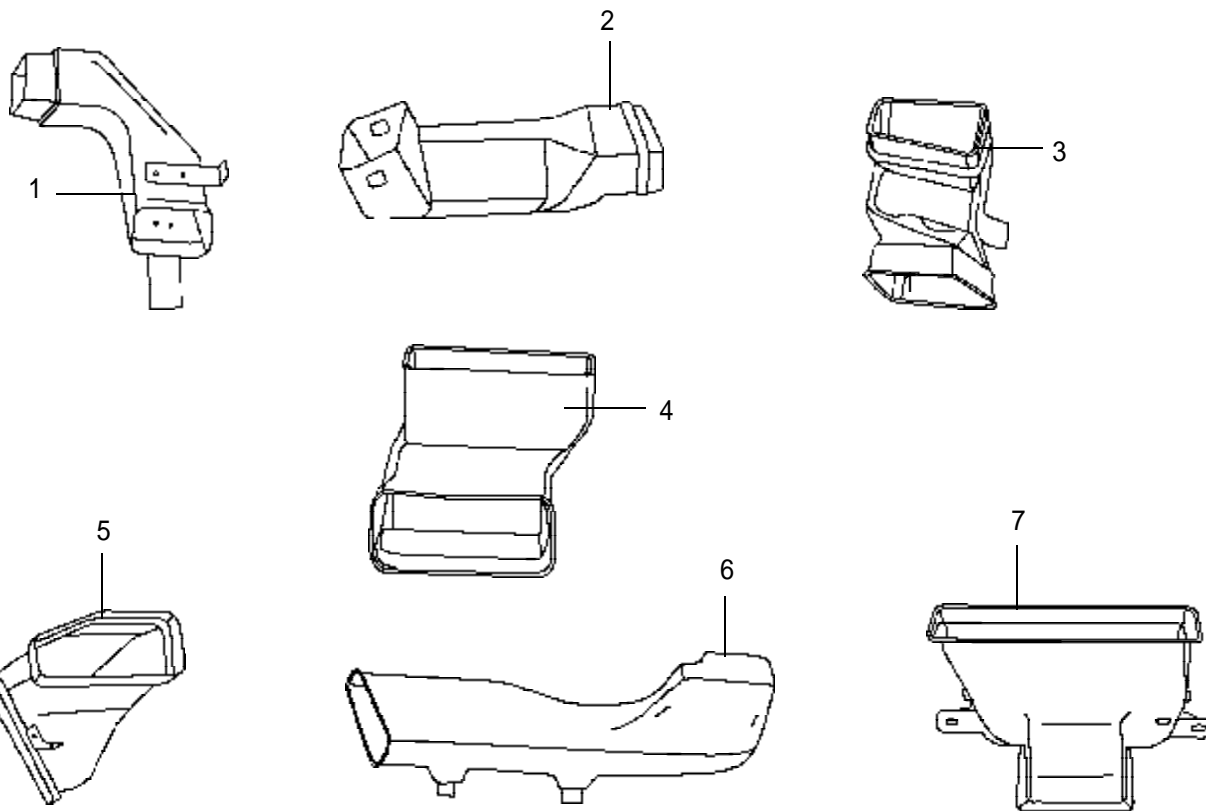


空调（四）——风道（一） A/C (4) -- AIR TUNNEL (1)

序号 S/N	零部件代号 PART CODE	零部件名称 PART NAME	用量 QTY	适用车型 VEHICLE APPLICABLE TO	备注 REMARK
1	8123100-D01	司机侧左通风风道总成 LEFT AIR TUNNEL ASSEMBLY,DRIVER SIDE (DEER SERIES)	1	迪尔系列	
2	8123200-D01	司机侧中部通风风道总成 CENTRAL AIR TUNNEL ASSEMBLY,DRIVER SIDE (DEER SERIES)	1		
3	8123300-D01	司机侧通风风道总成 AIR TUNNEL ASSEMBLY,DRIVER SIDE (DEER SERIES)	1		
4	8123400-D01	中部通风风道总成 CENTRAL AIR TUNNEL ASSEMBLY (DEER SERIES)	1		
5	8123500-D01	中部右斜通风风道总成 RIGHT OBLIQUE AIR TUNNEL ASSEMBLY,MIDDLE (DEER SERIES)	1		
6	8123600-D01	司机侧右通风风道总成 RIGHT AIR TUNNEL ASSEMBLY,DRIVER SIDE (DEER SERIES)	1		
7	8123700-D01	中部除霜风道总成 DEFROST TUNNEL ASSEMBLY,MIDDLE (DEER SERIES)	1		



空调（四）——风道（二） A/C (4) —AIR TUNNEL(2)

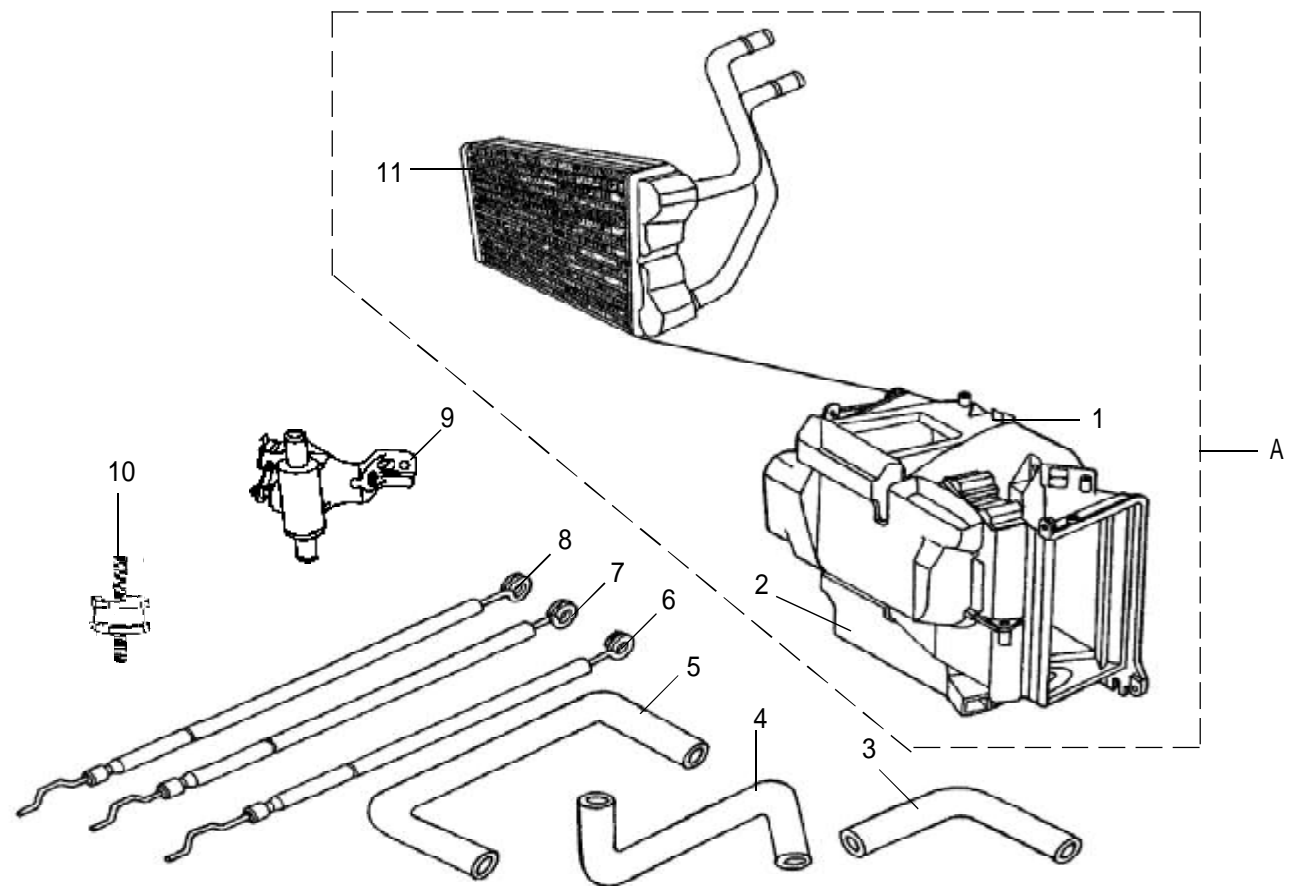


空调（四）——风道（二） A/C (4) -- AIR TUNNEL（2）

序号 S/N	零部件代号 PART CODE	零部件名称 PART NAME	用量 QTY	适用车型 VEHICLE APPLICABLE TO	备注 REMARK
1	8123100-D07	司机侧左通风风道总成 LEFT AIR TUNNEL ASSEMBLY,DRIVER SIDE (DEER SERIES, 2004 TYPE)	1	迪尔系列	2004 款
2	8123200-D07	司机侧中部通风风道总成 CENTRAL AIR TUNNEL ASSEMBLY,DRIVER SIDE (DEER SERIES, 2004 TYPE)	1		2004 款
3	8123300-D07	司机侧通风风道总成 AIR TUNNEL ASSEMBLY,DRIVER SIDE (DEER SERIES, 2004 TYPE)	1		2004 款
4	8123400-D07	中部通风风道总成 CENTRAL AIR TUNNEL ASSEMBLY (DEER SERIES, 2004 TYPE)	1		2004 款
5	8123500-D07	中部右斜通风风道总成 RIGHT OBLIQUE AIR TUNNEL ASSEMBLY,MIDDLE (DEER SERIES, 2004 TYPE)	1		2004 款
6	8123600-D07	司机侧右通风风道总成 RIGHT AIR TUNNEL ASSEMBLY,DRIVER SIDE (DEER SERIES, 2004 TYPE)	1		2004 款
7	8123700-D07	中部除霜风道总成 DEFROST TUNNEL ASSEMBLY,MIDDLE (DEER SERIES, 2004 TYPE)	1		2004 款



空调（五）——暖风水箱总成 A/C (5) — HEATER RADIATOR ASSEMBLY

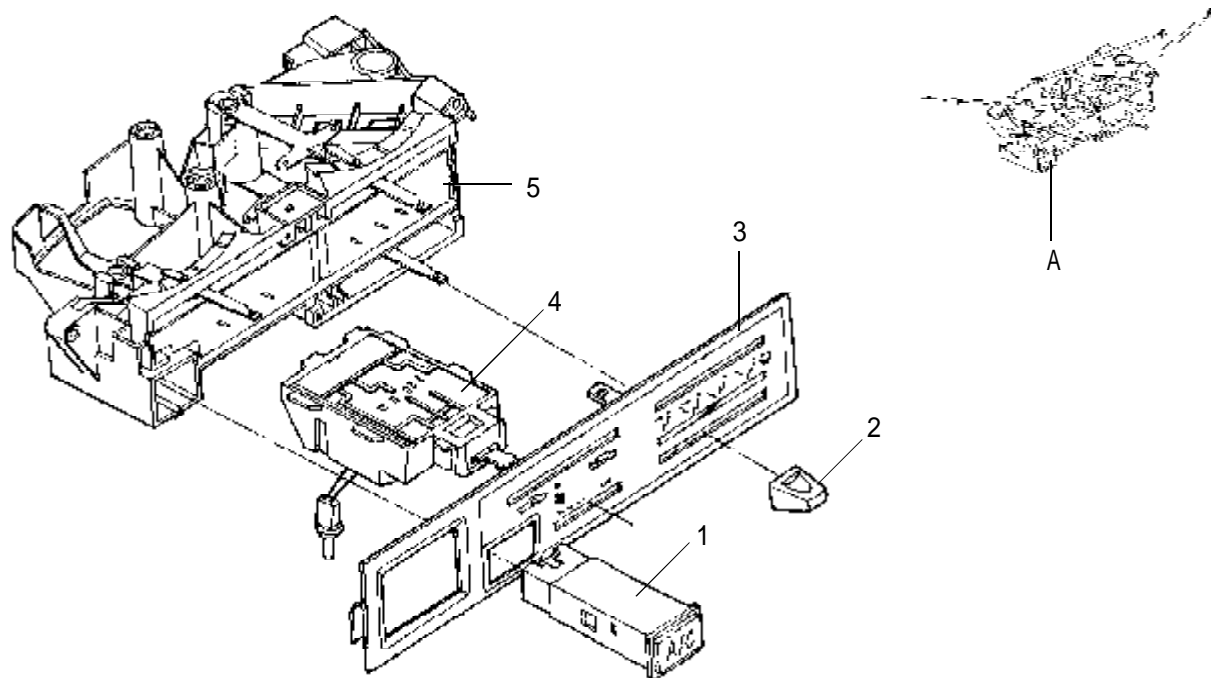



空调（五）——暖风水箱总成 A/C (5) – HEATER RADIATOR ASSEMBLY

序号 S/N	零部件代号 PART CODE	零部件名称 PART NAME	用量 QTY	适用车型 VEHICLE APPLICABLE TO	备注 REMARK
A	8101000-D01	暖风机总成 HEATER ASSEMBLY (DEER SERIES)	1	迪尔系列	
1	8101011-D01	暖风机上壳体 UPPER CASE, HEATER (DEER SERIES)	1		
2	8101012-D01	暖风机下壳体 LOWER CASE, HEATER (DEER SERIES)	1		
3	8101071-D01	暖水管一 WARM WATER PIPE, NO.1 (DEER SERIES)	1		
4	8101073-D01	暖水管三 WARM WATER PIPE, NO.3 (DEER SERIES)	1		
5	8101072-D01	暖水管二 WARM WATER PIPE, NO.2 (DEER SERIES)	1		
6	8112016-D01	控制拉线二 CONTROL CABLE, NO.2 (DEER SERIES)	1		
7	8112017-D01	控制拉线三 CONTROL CABLE, NO.3 (DEER SERIES)	1		
8	8112015-D01	控制拉线一 CONTROL CABLE, NO.1 (DEER SERIES)	1		
9	8111400-D01	水阀组件 WATER VALVE KIT (DEER SERIES, CERAMICS)	1		陶瓷
10	8111015-D01	方减震垫 SQUARE CUSHION (DEER SERIES, LONG)	1		长
11	8101100-D01	暖风机芯体组件 HEATER CORE KIT (DEER SERIES)	1		

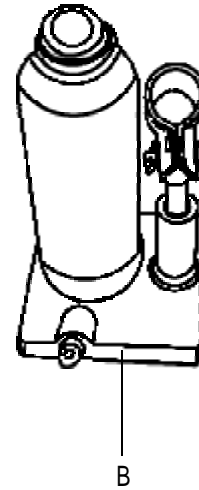
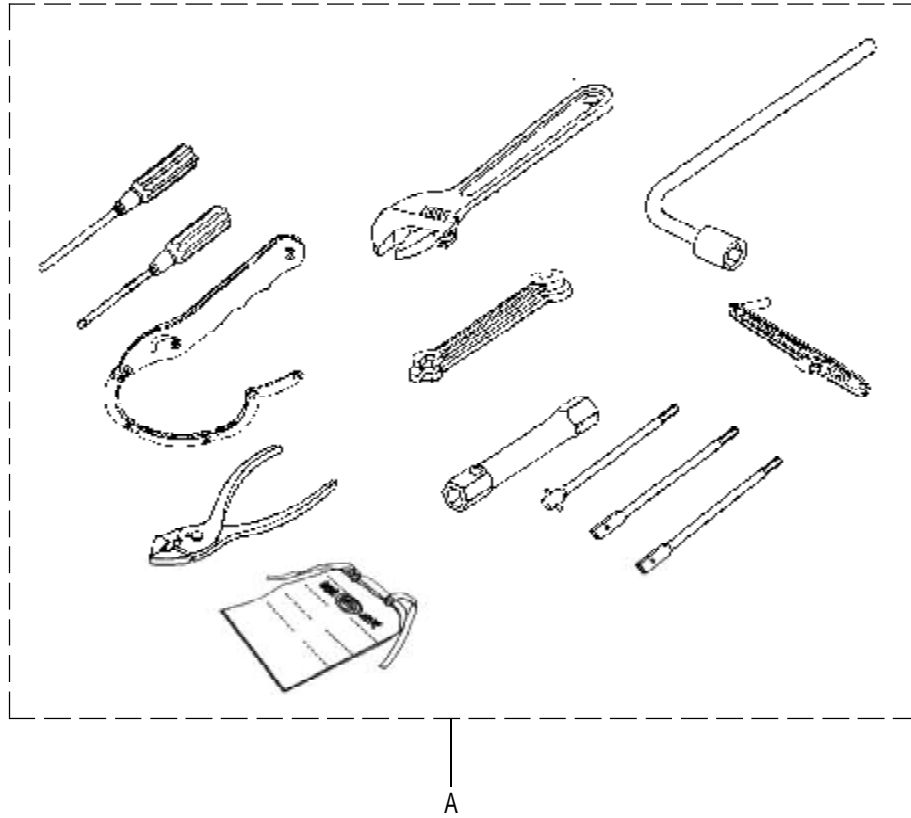



空调（六）——控制操纵器总成 A/C (6) — CONTROLLER ASSEMBLY



 每天进步一点点

随车工具 INCAR TOOL



 每天进步一点点

车身彩条（一） DECORATION RIBBON(1)



1. 车身彩条(2000款) DECORATION RIBBON(YEAR 2000)



2. 车身彩条(2001款) DECORATION RIBBON(YEAR 2001)



3. 车身彩条(2002款) DECORATION RIBBON(YEAR 2002)



4. 车身彩条(套色) DECORATION RIBBON(OVERDYE)



5. 车身彩条(双箭头) DECORATION RIBBON(DOUBLEARROW)



6. 车身彩条(蛇形) DECORATION RIBBON(SNAKE TYPE)



车身彩条（二） DECORATION RIBBON(2)



7. 车身彩条(蛇形 II 款) DECORATION RIBBON(SNAKE TYPE II)



8. 车身彩条(丹顶鹤) DECORATION RIBBON(RED-CROWNED CRANE)



9. 车身彩条(斑斓) DECORATION RIBBON(BRIGHT-COLORED)



10. 车身彩条(05A 款) DECORATION RIBBON(MODEL 05A)



11. 车身彩条(风速) DECORATION RIBBON(WIND SPEED)



车身彩条（一）（二） DECORATION RIBBON (1)(2)

序号 S/N	零部件代号 PART CODE	零部件名称 PART NAME	用量 QTY	适用车型 VEHICLE APPLICABLE TO	备注 REMARK
1	8200026-D43-0110	车身彩条 DECORATION RIBBON (2000, RED, STANDARD CAB)	1	D43 D44	2000 款红(小双)
	8200015-D46-0110	车身彩条 DECORATION RIBBON (2000, RED, LARGE DOUBLE CAB)		D46	2000 款红(大双)
	8200013-D47-0110	车身彩条 DECORATION RIBBON (2000, RED, ONE AND A HALF)		D47	2000 款红(一排半)
	8200013-D43-0409	车身彩条 DECORATION RIBBON GREEN, STANDARD CAB)		D43	2000 款绿(小双)
	8200012-D46-0409	车身彩条 DECORATION RIBBON (2000, GREEN, LARGE DOUBLE CAB)		D46	2000 款绿(大双)
	8200014-D46-1210	车身彩条 DECORATION RIBBON (2000, GRAY, LARGE DOUBLE CAB)		D46	2000 款灰(大双)
	8200013-D01-1005	车身彩条 DECORATION RIBBON (2000, FLASH SILVER, STANDARD CAB)		D01 D02 D03 D50 D65	2000 款闪光银(小双)
	8200016-D43-1005	车身彩条 DECORATION RIBBON (2000, REFLECTING LIGHT (GOLD))		D17 D43 D46	2000 款反光 (金色)
	8200011-D47-1105	车身彩条 DECORATION RIBBON (2000, FLASH SILVER, ONE AND A HALF)		D47	2000 款闪光银(一排半)
	8200016-D43-1005	车身彩条 DECORATION RIBBON (2000, GOLD,STANDARD CAB)		D43 D44	2000 款金(小双)
2	8200023-D43-0110	车身彩条 DECORATION RIBBON (2001,RED, STANDARD CAB)	1	D43 D44	2001 款红(小双)
	8200018-D46-0110	车身彩条 DECORATION RIBBON (2001,RED, LARGE DOUBLE CAB)		D46	2001 款红(大双)
	8200017-D43-0409	车身彩条 DECORATION RIBBON (2001,GREEN, STANDARD CAB)		D43 D44	2001 款绿(小双)
	8200016-D46-0409	车身彩条 DECORATION RIBBON (2001,GREEN, LARGE DOUBLE CAB)		D46	2001 款绿(大双)
	8200014-D43-1210	车身彩条 DECORATION RIBBON (2001,GRAY , STANDARD CAB)		D43 D44	2001 款灰(小双)
	8200013-D46-1210	车身彩条 DECORATION RIBBON (2001,GRAY, LARGE DOUBLE CAB)		D46	2001 款灰(大双)
3	8200011-D01-0110	车身彩条 DECORATION RIBBON (2002,RED, STANDARD CAB)	1	D01 D22 D50	2002 款红(小双)



车身彩条（一）（二） DECORATION RIBBON (1)(2)

序号 S/N	零部件代号 PART CODE	零部件名称 PART NAME	用量 QTY	适用车型 VEHICLE APPLICABLE TO	备注 REMARK
3	8200011-D17-0110	车身彩条 DECORATION RIBBON (2002,RED, LARGE DOUBLE CAB)	1	D17 D23	2002 款红(大双)
	8200011-D26-0110	车身彩条 DECORATION RIBBON (2002,RED, LARGE SINGLE CAB)		D26 D48	2002 款红(大单)
	8200011-D22-0409	车身彩条 DECORATION RIBBON (2002, GREEN, STANDARD CAB)		D22	2002 款绿(小双)
	8200013-D23-0409	车身彩条 DECORATION RIBBON (2002, GREEN, LARGE DOUBLE CAB)		D23	2002 款绿(大双)
	8200012-D26-0409	车身彩条 DECORATION RIBBON (2002, GREEN , LARGE SINGLE CAB)		D26 D48	2002 款绿(大单)
	8200012-D01-1005	车身彩条 DECORATION RIBBON N(2002, YELLOW, STANDARD CAB)		D01 D02 D03 D22 D50 D65	2002 款黄(小双)
4	8200014-D01-1105	车身彩条 DECORATION RIBBON (OVERDYE COLORED RIBBON, STANDARD CAB)	1	D01 D17 D22 D43 D44 D50	套色彩带（小双）
	8200021-D46	车身彩条 DECORATION RIBBON (OVERDYE COLORED RIBBON)		D17 D46	套色彩带
5	8200016-D22	车身彩条 DECORATION RIBBON (2002, DOUBLE ARROW COLORED RIBBON)	1	D22	2002 款双箭头彩带
6	8200026-D43-0110	车身彩条 DECORATION RIBBON (SNAKE TYPE COLORED RIBBON)	1	D43	蛇形彩带
	8200017-D46	车身彩条 DECORATION RIBBON (SNAKE TYPE COLORED RIBBON)		D46	蛇形彩带
	8200200-D06-A2-0110	车身彩条 DECORATION RIBBON (SNAKE TYPE COLORED RIBBON)		D26 D48	蛇形彩带
7	8200011-D02	车身彩条 DECORATION RIBBON (SNAKE TYPE COLORED RIBBON, TYPE II)	1	D02	蛇形彩条（II款）
	8200200-D06-A3-0110	车身彩条 DECORATION RIBBON (SNAKE TYPE COLORED RIBBON, TYPE II)		D06 D48	蛇形彩带（II款）



车身彩条（一）（二） DECORATION RIBBON (1)(2)

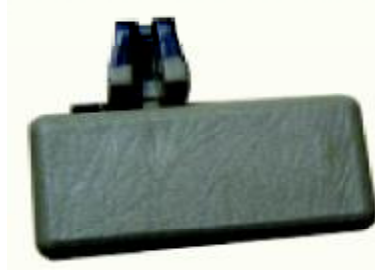
序号 S/N	零部件代号 PART CODE	零部件名称 PART NAME	用量 QTY	适用车型 VEHICLE APPLICABLE TO	备注 REMARK
8	8200015-D01-0110	车身彩条 DECORATION RIBBON (RED-CROWNED CRANE COLORED BAR, RED)	1	D01 D22 D50	丹顶鹤彩条(红色)
	8200200-D04-A2-0110	车身彩条 DECORATION RIBBON (RED-CROWNED CRANE COLORED BAR, ONE AND A HALF, RED)		D04 D47	丹顶鹤彩条(排半, 红色)
	8200200-D06-A1-0110	车身彩条 DECORATION RIBBON (RED-CROWNED CRANE COLORED BAR, LARGE SINGLE CAB, RED)		D06 D48	丹顶鹤彩条(大单, 红色)
9	8200011-D62-1005	车 身 彩 条 DECORATION RIBBON (ECONOMIC TYPE, BRIGHT-COLORED, GOLD)	1	D62	经济型, 斑澜, 金
	8200012-D62-0110	车 身 彩 条 DECORATION RIBBON (ECONOMIC TYPE, BRIGHT-COLORED, RED)		D62	经济型, 斑澜, 红
	8200013-D62-0409	车 身 彩 条 DECORATION RIBBON (ECONOMIC TYPE, BRIGHT-COLORED, GREEN)		D62	经济型, 斑澜, 绿
10	8200014-D62-69*B6	车身彩条 DECORATION RIBBON (FOR MODEL 05A, ECONOMIC TYPE, BLUE SILVER)	1	D62	05A 款、经济型, 蓝银
	8200017-D63-69*B6	车身彩条 DECORATION RIBBON (FOR MODEL 05A, ECONOMIC TYPE, BLUE SILVER)		D63	05A 款、经济型, 蓝银
	8200015-D62-A5*49	车身彩条 DECORATION RIBBON (FOR MODEL 05A, ECONOMIC TYPE, GOLD GREEN)		D62	05A 款、经济型, 金绿
	8200018-D63-A5*49	车身彩条 DECORATION RIBBON (FOR MODEL 05A, ECONOMIC TYPE, GOLD GREEN)		D63	05A 款、经济型, 金绿
	8200016-D62-A5*B6	车身彩条 DECORATION RIBBON (GOLD COLORED RIBBON)		D62	金色彩带
	8200019-D63-A5*B6	车身彩条 DECORATION RIBBON (FOR MODEL 05A, ECONOMIC TYPE, GOLD GREEN)		D63	05A 款、经济型, 金银
11	8200043-D01-0110	车身彩条 DECORATION RIBBON ("WIND SPEED" DECORATION RIBBON, RED)	1	D01	风速彩条 (红色)
	8200043-D01-1005	车身彩条 DECORATION RIBBON ("WIND SPEED" DECORATION RIBBON, GOLDEN)		D01	风速彩条 (金色)



各款式颜色对照COLOR COMPARISON OF EACH STYLE



枣红色(亚光桃木纹)PURPLISH RED
(GLOSSY MAHOGANY PATTERN)



米黄色 YELLOW



红色 RED





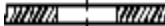
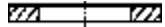



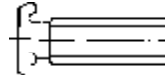
浅咖啡色 LIGHT COFFEE

标准件附录 STANDARD PARTS APPENDIX

序号 S/N	汽车专业代号 AUTOMOBILE SPECIALISED CODE	准号 STANDARD CODE	名称 DENOMINATION	简图 DIAGRAM
1	Q150B	ISO 4014 - 1988 (GB/T 5782)	六角头螺栓 Hex Bolt	
2	Q184	GB/T 16674 - 1996	六角法兰面螺栓 hex flange bolt	
3	Q183	Q186GB/T5789 - 1986	六角法兰面螺栓—加大系列 hex flange bolt oversize series	
4	Q214	Q214ISO 7045 - 1994 (GB/T 818)	十字槽盘头螺钉 Cross Slot Screw	
5	Q220	GB/T 9074.18 - 1988	十字槽盘头自攻螺钉和平垫圈组合 Cross Slot Self-tapping Screw And plain Washer Assembly	
6	Q371	GB/T 13680 - 1992	焊接方螺母 Weldment Phon Bolt	
7	Q330	ISO 7074: 1997 (GB/T 6187)	全金属六角法兰面锁紧螺母 Full Metal Hex Flange Lock Nut	
8	Q322	QC/T607-1999	六角螺母和锥形弹性垫圈组合件 Hex Nut And Taper Spring Washerassembly	

 每天进步一点点


标准件附录 STANDARD PARTS APPENDIX

序号 S/N	汽车专业代号 AUTOMOBILE SPECIALISED CODE	标准号 STANDARD CODE	名 称 DENOMINATION	简 图 DIAGRAM
9	Q321	QC/T613-1999	六角法兰面自排屑螺母 Hexagon Flange Self-Discharging Nut	
10	Q320	ISO 4161:1999 (QC/T 6177)	六角法兰面自排屑螺母 Hexagon Flange Self- Discharging Nut	
11	Q402	GB/T 96-1985	大垫圈 Large Washer	
12	Q401	GB/T 95-1985	平垫圈 Plain Washer	
13	Q407	GB/T 9074.24-1988	组合件用平垫圈 Assembly Plain Washer	
14	Q406	GB/T 9074.26-1988	组合件用弹簧平垫圈 Assembly Spring Plain Washer	
15	Q403	GB/T 93-1987	弹簧垫圈 Spring Washer	
16	Q198	QC/T 598 – 1999	承面凸焊螺栓 Bearing Weldment Bolt	

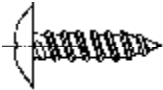


标准件附录 STANDARD PARTS APPENDIX

序号 S/N	汽车专业代号 AUTOMOBILE SPECIALISED CODE	标准号 STANDARD CODE	名称 DENOMINATION	简图 DIAGRAM
17	Q436	GB/T 896 - 1986	开口挡圈 Cotter Shield Ring	
18	Q236	GB/T 9074.4 - 1988	十字槽盘头螺钉、弹簧垫圈和平垫圈组合件 Cross Slot Screw, Spring Washer And Plain Washer Assembly	
19	Q261	GB/T 6563 - 1986	六角头自攻锁紧螺钉 Hex Self-tapping Lock Screw	
20	Q271	GB/T 845 - 1985	十字槽盘头自攻螺钉—C型 Cross Slot Self-tapping Screw -C Type	
21	Q230	GB/T 9074.1 - 1988	十字槽盘头螺钉和平垫圈组合件 Cross Slot Screw And Plain Washer assembly	
22	Q254	ISO7046-1994	十字槽沉头螺栓 Cross Slot Bolt	
23	Q262	GB/T 6560-1986	十字槽盘头自攻锁紧螺钉 Cross Slot Self-tapping Lock Screw	
24	Q272	GB/T 845 - 1985	十字槽盘头自攻锁紧螺钉—F型 Cross Slot Self-tapping Lock Screw-F Type	

 每天进步一点点

标准件附录 STANDARD PARTS APPENDIX

序号 S/N	汽车专业代号 AUTOMOBILE SPECIALISED CODE	标准号 STANDARD CODE	名 称 DENOMINATION	简 图 DIAGRAM
25	Q273	QC/T 602 - 1999	十字槽大半圆头自攻螺钉 Cross Slot Self-tapping Screw	
26	Q276	GB/T 847 - 1985	十字槽半沉头自攻螺钉-C型 Cross Slot Self-tapping Screw-C Type	