

前言

本着精简、高效、实用、统一、参考的原则，在较短的时间内完成了本版《长城汽车赛弗系列零部件手册（维修配件）》。它是在上版的基础上增加了CC6460D(F1)、CC6460DY(F1)、CC6460D-3、CC6460DY-3等四个车型的内容后编制而成的最新版本。

这本手册的用途是：

1. 可供广大赛弗汽车用户了解赛弗系列各车型的零部件代号、名称、用量、适用车型以及零部件之间的装配关系及其结构组成时参考。
2. 可供广大用户、维修站（点）选择和购买赛弗系列车型的零部件（维修配件）时参考。
3. 可供企业内部、长城售后服务公司、配件部及市场服务工作的相关人员为用户和维修站（点）进行售后服务工作时参考。

这本手册的特点是：

1. 零部件（维修配件）的编号是按照Q/CC008-2005《长城汽车股份有限公司 汽车零部件编号规则》及《车辆颜色代码编制规则》企业标准规定，并满足汽车行业标准QC/T265-2004《汽车零部件编号规则》的要求。
2. 本手册仅仅反映出版前批量生产的在用车型中的部分车型。
3. 零部件（维修配件）的适用车型栏内只能反映基础的、有代表性的车型，不能涵盖所有适用的车型。
4. 本手册中对于内饰零部件（维修配件）的表面颜色已给出其代码，但对底盘、电器及车身、钣金零部件（维修配件）的表面颜色没有标注。

本手册根据我公司现行生产的赛弗车的技术资料编制而成。随着技术不断进步，赛弗系列车的产品结构将会不断改进和变化。因此，本手册的有些内容将会不断修改和补充。

使用本手册时请注意以下几点：

1. 用户洽购长城赛弗系列汽车零部件（维修配件）时，请说明零部件（维修配件）所适用的汽车型号、年款和其他特

征，对照本图册上示意图形和明细表查找零部件（维修配件）对应的零部件代号、名称、用量等信息，以避免与其他零部件混淆。

2. 用户和维修站（点）订购零部件（维修配件）时，本手册提供的内容仅供参考，不能作为订购零部件（维修配件）的唯一依据。

3. 本手册以赛弗 CC6460D 型汽车 2003 年款（车型代号为 F00）为基础车型编绘，对于其他变型车型的零部件（维修配件），凡是零部件结构及外形形状变化不大者，不再单独绘出图形，只在零部件明细表中基础车型同一零部件序号下列出。

郑重声明，虽然我们尽力认真编绘本图册，但因时间短，工作量大，加上技术水平和业务能力的限制，还是不能保证图册中所有内容完全正确无误！我们必须保留零部件、维修配件的供货范围、装置配备和技术方面的修改权、变更权。因此，用户和维修站（点）不得以本图册中零部件图解和明细表为依据，提出任何要求。对于由于使用本手册而造成的损失，我们皆不负直接和间接责任。

2

未经长城汽车股份有限公司同意，任何单位和个人不得将本图册翻版、出版。长城汽车股份有限公司拥有法律规定的版权、著作权等一切权利，并保留本手册的更改权和解释权。

长城汽车股份有限公司

2006-12



Preface

According to the principle of simplicity, high efficiency, conformity and reference, the edition, a catalogue for Great Wall Automobile SAFE series spare parts, has been compiled within a short time, which is a new revision based on the last edition, with additional contents of four vehicle models:CC6460D(F1),CC6460DY(F1),CC6460D-3,CC6460DY-3.

The Usage of this catalogue:

1. Provide the reference of spare part code, spare part name, using quantity, applicable vehicle models and structure of the spare parts for the owner of SAFE.
2. Provide the reference of spare parts for the owner of SAFE and service station to purchase spare parts.
3. Provide the reference for Great Wall Motor After-sales Service Co., Ltd, Spare parts department, the people who service for the users or the service stations.

The features of this catalogue:

1. The spare part code is compiled according to the enterprise standard of QCC/008-2005 《Great Wall Motor Co,Ltd Coding Rule of Automobile Spare Part》 and 《Coding Rule of Vehicle Color》 , and which is also satisfied the request of automobile industry standard QC/T265-2004 《Coding Rule of Automobile Spare Part》
2. This catalogue only suits for some vehicle models which were mass-produced before this manual is compiled.
3. The vehicle models listed in the form of Applicable Vehicle Model in the catalogue only contain the basic and representative vehicle models.
4. This catalogue provides the spare part code of the surface color of the inner trim parts, but the surface color for under chassis, electrical equipment, and plate work parts are excluded.

This manual is edited according to the technical information of SAFE automobiles which were produced by our company at present. With the increasingly development of technology, the structure of the SAFE automobiles will be improved and change continuously. Consequently, the content of this manual will also be added and modified.

Please pay attention to the following points when you use this catalogue

1. When customers want to buy the spare parts, the vehicle model, type (year) and other characters should be provided. Please find the information associating with the spare part in the catalogue, for example, spare part code, name, using quantity, and so on. Meanwhile, the schematic figure can be used. Thus confusion could be avoided.

2. The content of the catalogue can only be a reference for users and service stations to order the spare parts, and not be the only reference for ordering spare parts.

3. This catalogue is compiled and drew by using the Model year 2003 SAFE CC6460D light-duty vehicle (S/N F00) as the basic model. For the spare parts of other vehicle models, their figures will not be drew if their structure and outline only have a small change, and they will only listed under the same spare part S/N of the basic type vehicle's.

Note: Though we try our best to compile and draw this catalogue, we can not be able to guarantee all the contents in this manual is completely right because of short time, and the limit of technical level and business ability! We reserve the right to modify and amend the catalogue in future. Therefore users and service stations can not require anything according to the spare parts catalogue. We will not take any the direct or indirect responsibility for the loss which is caused by using this catalogue.

All rights reserved. No part of this catalogue covered by the copyrights hereon may be reproduced or copied in any form or by any means without written permission of Great Wall Motor Company Limited by any individuals or parties. Great Wall Motor Company Limited reserves the right of modification and explanation to the catalogue.

Great Wall Motor Company Limited

Dec 2006

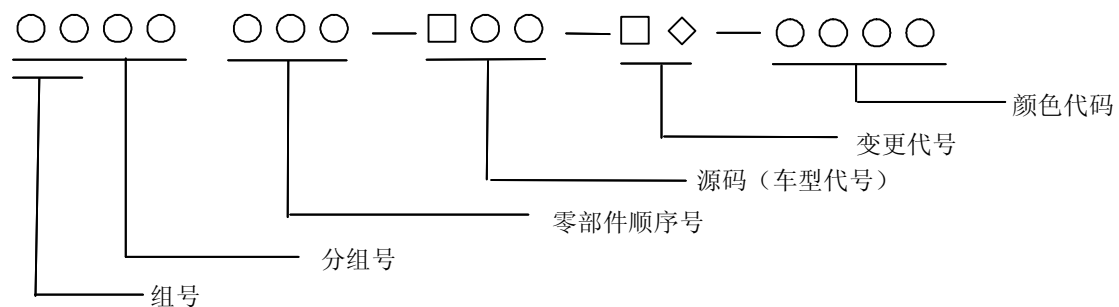


使用方法

为了适应长城汽车在国内、外销量不断增长的新形势，满足长城汽车生产、销售不断发展的需要，在第一版《长城汽车赛弗系列零部件手册》基础上，编绘了第二版《长城汽车赛弗系列零部件手册（维修配件）》。可供广大赛弗汽车用户、维修站（点）了解赛弗系列各车型零部件的装配关系，外观形状、安装位置之用，也可供用户、维修站（点）选择长城汽车赛弗系列各车型零部件（维修配件）时参考之用。

为了用户和维修站（点）正确使用本手册，现对主要内容要点说明如下：

一. 零部件（维修配件）编号的表达式



1. 组号

用两位数字表示汽车各功能系统分类代码，由 Q/CC008-2005 《汽车产品零部件编号规则》给定。

2. 分组号

用四位数字表示汽车各功能系统内分系统的分类顺序代号，按 Q/CC008-2005 的有关规定。

3. 零部件顺序号

用三位数字表示功能系统内总成、分总成、子总成、单元体、零件等顺序代号，零部件编号细则按 Q/CC008-2005 的有关规定。

4. 源码(车型系列代号)

由一位英文字母 F 和两位数字组成，英文字母 F 代表赛弗（SAFE）系列，00，01，02，03 等代表车型系列内生产流水号。

本手册中使用的车型代号见附表 1《长城汽车赛弗系列车型代号》。注意：本手册零部件代号的源码中，当出现了附表 1 中不包括的车型系列代号（如迪尔 D01 等）时，则表示该零部件是此车型（如迪尔 D01 等）与赛弗系列车型的通用件，也即表示此车型（如迪尔 D01 等）与适用车型栏内赛弗系列车型在该处零部件上具有通用的关系，该零部件是两个车型的通用件。变速器源码代号见附表 2《长城汽车赛弗系列变速器源码代号》。附表 1 中第二项“整车型号”是长城赛弗系列汽车的整车商品上提供的正式型号；第三项是“车型代号”，本手册中使用的车型代号用 F00，F01，F02，F03 代表每一个车型。附表 1 提供了整车型号与车型代号的一一对应、对照的关系。

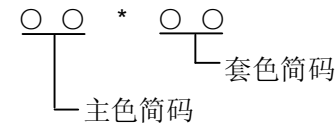
为了本厂使用方便，本表中还将厂内区别号及替代车型、驱动型式、发动机型号、选装件名称、备胎形式等一一列出，主要是考虑厂内组织生产及安排销售时与历史习惯保持相关连续性，但仅仅起到参考和过渡作用。必须说明，只有整车车型型号与（源码）车型系列代号生产顺序流水号是一一对应的，例如 CC6460D 与 F00 是一一对应的。

5. 变更代号

用 A1，A2，B1，B2 等表示零件、总成、结构、尺寸、型号类别等作变更时的经历代号。如果没有变更，则零部件编号表达式中不出现上述变更经历代号。

6. 颜色代码

对于内饰、车身、外饰、钣金等零部件、总成的涂装颜色，构成了此类零部件的表面基本特征，本手册按照企业标准试行稿《车辆颜色代码编制规则》，用四位颜色代码数字表示。详见长城汽车赛弗系列零部件颜色代码表（附表 3）的规定。颜色代码在零部件编号表达式的末尾部分给出。套色代码中颜色用两个颜色简码组合而成，具体形式为



对于底盘部分、电器部分等没有涂装颜色特征的零部件，其编号表达式不包括末尾的颜色代码。



零部件（维修配件）编号表达式举例：

5 3 0 6 1 2 1 - F 0 2 - B 1 - 0 3 1 3 仪表板装饰面罩

上述表达式包括的含义和内容是：

5 3 - 组号，汽车前围总成。

5 3 0 6 - 分组号，汽车前围总成内的仪表板分总成。

1 2 1 - 零部件顺序代号，指仪表板内的顺序号为第 121 号的装饰面罩。

F 0 2 - 源码即车型系列代号，指赛弗系列内的一个车型，代表 CC6450D 款车型。

B 1 - 变更经历代号，表示该零件的结构、尺寸、热处理、表面处理、型号类别中有变更，且该总成在原产品图样基础上首次变更影响互换性时用 B 1 表示，变更后表面状态为枣红色桃木纹。

0 3 1 3 - 颜色代码，表示咖啡色。（见附表 3）

二.使用方法

用户、维修站（点）在使用本手册时，请按照以上说明对所选用的零部件（维修配件）及所适用的车型进行查找。用户可根据本手册简图目录查找目标零部件（维修配件）所在的页数（见简图目录右下角的数字），再在指定页数上找到目标零部件、总成（维修配件）的图解、外形及装配位置；根据图形上目标零部件的指引线末端的序号，在相应的零部件明细表的同一序号处，找出目标零部件总成（维修配件）的零部件代号、零部件名称、用量、适用车型及备注等相关信息。

根据上述查找获得的全部信息，再与长城售后服务公司配件部或海外市场部联系进行确认、沟通，从而保证在用的赛弗汽车正常工作。

附表 1

长城汽车赛弗系列车型代号

序号	整车型号	车型代号	车型结构特点	
			驱动型式	发动机类型型式
1	CC6460D	F00	4×2	GW491QE 汽油机
2	CC6460DY	F01	4×4	GW491QE 汽油机
3	CC6450D	F02	4×2	GW491QE 汽油机
4	CC6450DY	F03	4×4	GW491QE 汽油机
5	CC6460D-3	F04	4×2	GW491QE 汽油机
6	CC6460DY-3	F05	4×4	GW491QE 汽油机

附表 2

长城汽车赛弗系列变速器源码代号

序号	源码代号	变速器厂家	车型结构特点	
			驱动型式特征	发动机类型型式
1	无标记	唐齿	2WD	GW491QE 汽油机
2	S	上齿	2WD	GW491QE 汽油机
3	SY	唐齿	4WD(电控)	GW491QE 汽油机
4		博格华纳(分动器)	4WD(电控)	GW491QE 汽油机

附表 3

长城汽车赛弗系列零部件颜色代码表

颜色	简码	代码	颜色	简码	代码	颜色	简码	代码
蔷薇红	11	0101	朝阳红	18	0108	太阳黄	31	0301
富贵红	12	0102	红色金属漆	19	0109	经典黄	32	0302
珍珠红	13	0103	红色	1A	0110	的士黄	33	0303
玫瑰红	14	0104	枣红色	1B	0111	工程黄	34	0304
枫叶红	15	0105	浅枣红色	1C	0112	桔黄	35	0305
消防红	16	0106	洋红漆	1D	0113	沙黄	36	0306
电力红	17	0107	时尚橙	21	0201	星黄	37	0307



附表 3 续

长城汽车赛弗系列零部件颜色代码表

颜色	简码	代码	颜色	简码	代码	颜色	简码	代码
奶黄	38	0308	晨光蓝	62	0602	金色	A5	1005
浅黄	39	0309	珍珠蓝	63	0603	魅力黄金	A6	1006
米黄	3A	0310	晶宝蓝	64	0604			
黄色	3B	0311	爵士蓝	65	0605	星光银	B1	1101
橙黄漆	3C	0312	宇宙蓝	66	0606	香槟银	B2	1102
咖啡色	3D	0313	浅蓝	67	0607	沙漠银	B3	1103
浅咖啡色	3E	0314	长城蓝	68	0608	水晶银	B4	1104
棕黄	3F	0315	蓝色	69	0609	闪光银	B5	1105
			深闪光蓝	6A	0610	银色	B6	1106
			浅闪光蓝	6B	0611	魅力银	B7	1107
						深银	B8	1108
典雅绿	41	0401	紫色	71	0701			
翡翠绿	42	0402	玫瑰紫	72	0702	钻石灰	C1	1201
碧玺绿	43	0403	浅紫	73	0703	幻影灰	C2	1202
将军绿	45	0405	深紫	74	0704	闪光灰	C4	1204
邮政绿	46	0406				贵族灰	C5	1205
天使绿	47	0407	帝王黑	81	0801	别克灰	C6	1206
梦想绿	48	0408	珠光黑	82	0802	深灰	C7	1207
绿色	49	0409	黑色	83	0803	浅灰	C8	1208
深墨绿	4A	0410				银灰	C9	1209
苹果绿	4B	0411	皓月白	91	0901	灰色	CA	1210
宝石绿	4C	0412	银河白	92	0902	深棕色	CB	1211
浅绿	4D	0413						
长城绿	4E	0414	沙滩金	A1	1001			
深绿	4F	0415	咖啡金	A2	1002			
			香槟金	A3	1003			
青色	51	0501	浅香槟金	A4	1004			
藏蓝	61	0601						

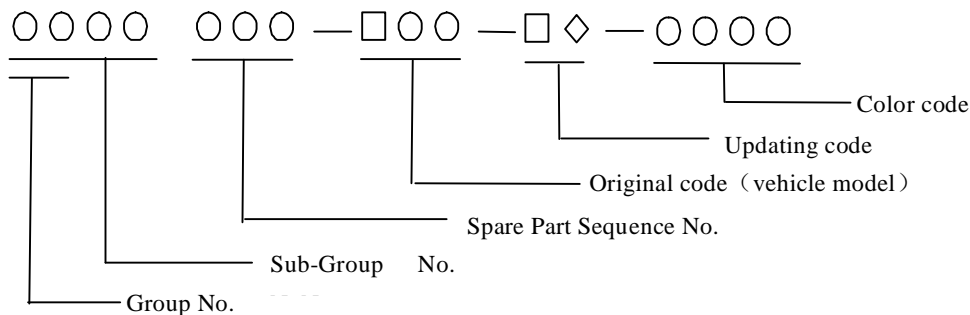
How to use this catalogue?

In order to adapt to the increasing of export sales and domestic sales of Great wall Automobile and satisfy the need of the continuous development of production and sale of Great wall Automobile. The edition, a catalogue for Great Wall Automobile SAFE series spare part was compiled on the basis of the last edition, 《Great Wall Automobile SAFE Series Spare Part Catalogue》. The edition can provide the SAFE users and service stations with the information about the assembly relations, outline shape and installation site of the spare part,, and it can also be a reference book for users and service stations to buy the spare part or of SAFE series vehicles.

In order to use the catalogue correctly, herein there are some explanations about the main points of the catalogue as follows:

I. The expression of the spare part code

10



1. Group S/N

Use two bits of numbers to represent the classified code of vehicle various function systems ,which is referred to regulation 《Q/cc008-2005 Coding Rule of Automobile spare Part》.



2. Sub-Group No.

Use four bits of numbers to represent the classified sequence code of subsystems of vehicle various function systems, it is according the regulation of Q/CC008-2005.

3. Spare Part sequence No.

Use the number which has three bits to represent the sequence number of the assembly, sub assembly, unit, spare part and so on in vehicle various function systems. Coding rule of spare parts should comply with related rules in Q/CC008-2005.

4. Original code (Model series code)

It is composed of one bit of English letter F and two bits of number. The English letter F represents SAFE series, and 00, 01, 02, 03 etc represents production sequence number. The model code in this catalogue is shown in attached list 1- Model code of SAFE series of Great wall Automobile. Pay attention, if there are Model codes which are not contained in the attached list 1 such as DEER D01(original code) ,it represent that the spare part of DEER D01 can be exchanged with of SAFE series, it also means the part can be used for both this vehicle model(such as DEER D01) and SAFE series(in the attached list), that part is a general part of two vehicle models, the Transmission original code is shown in attached list 1- transmission original code of SAFE series of Great wall Automobile ,In the attached list 1, the second item, “Complete Vehicles model”, is the formally vehicle model of SAFE series of Great wall Automobile; the third item is “model code”. In this catalogue, use model code D01, D 02, ……D96 to represent each model. Annex 2 lists the complete vehicle model and the model code in a form of one-to-one correspondence.

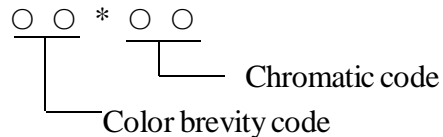
In order to use the catalogue freely for our company, in this list, distinguishing code inside our company and alternative vehicle type and drive type and engine type and optional parts name and spare tire type are listed respectively, which are considered to organize production inside the factory and keep relative continuousness between sale and history custom, but it only for reference and transition. It must be explained that the complete vehicle type (original No.)should be corresponded with production sequence number of vehicle model series code, such as the corresponding of CC6460D and F00.

5. Updating No.

When parts, assembly, structure, size, model are changed, use A1, A2, B1, B2...to represent the updating code. If there is no change, the updating code in serial number will not be listed in spare part code.

6. Color code

The color of inner trim, car body, outer trim, pressing spare part and assembly forms the basic characteristic of surface of these parts. This book uses 4 bits color code numbers in accordance with the enterprise standard issue 《Compilation Regulations for Car Color Code》. Check the regulation details shown in the color code list (attached list 2) of SAFE series spare part of the Great wall Automobile. Color code is given in the end of spare part code expression. Color code in chromatic code is composed of two color brevity codes, and the concrete form is as follows:



For these parts that have no color characteristics, such as chassis parts and electrical parts, its serial number expression don't have color code in the end.

Example of spare part code expression

5 3 0 6 1 21 – F0 2 –B 1 – 0 3 1 3 Instrument trim cover assembly

The meanings and content of the expression above are as follows:

5 3 –group number, vehicle front wall assembly

5 306 –sub-group number, it represents instrument panel sub-assembly of vehicle front wall .

121 –sequence code for spare part, it refers to trim cover assembly in the instrument panel, whose S/N is 121

F02 –original code is car model series code, which refers to one model of SAFE series, and it represents CC6450D Model.

B1 –updating code, it represents there are changes in structure, size, heat treatment, surface treatment and model classification of the component assembly, and use B1 to REMARK this, when it affects replacement in the first change on the base of original production design. Surface condition after change is purplish red color (wooden trim cover).

0 3 13 –color code, it represents coffee color. (See the Attached list 3)

II. Using method

When users and service stations use this catalogue, please refer to the book in accordance with the instruction stated above for the parts and its applicable models. Users can look for the page number of the target parts by referring to the catalogue of the book, then, to find out figure, appearance and assembly position of target parts; and at last, according to sequence No. in the end of the index line to find out parts sequence No., then find the same sequence No. in the spare part list, meanwhile, you will also find spare part assembly, spare part code, part name, quantity, applicable vehicle model, REMARK and so on.

According to all the information that has been found out, and after contacting with Spare Part Department of Great Wall Motor Overseas Service to confirm the part and learn about the price and procedure of purchasing procedure, finally purchase the part you want to order. Thus, the normal working of SAFE series of Great Wall Motor can be assured.

Appendix 1

GW VEHICLE SAFE SERIES MODEL CODE

S/N	COMPLETE VEHICLE TYPE	VEHICLE MODEL CODE	VEHICLE MODEL STRUCTURE FEATURE	
			TYPE OF DRIVE	ENGINE TYPE
1	CC6460D	F00	4×2	GW491QE GASOLINE VEHICLE
2	CC6460DY	F01	4×4	GW491QE GASOLINE VEHICLE
3	CC6450D	F02	4×2	GW491QE GASOLINE VEHICLE
4	CC6450DY	F03	4×4	GW491QE GASOLINE VEHICLE
5	CC6460D-3	F04	4×2	GW491QE GASOLINE VEHICLE
6	CC6460DY-3	F05	4×4	GW491QE GASOLINE VEHICLE

Appendix 2

GW VEHICLE SAFE SERIES TRANSMISSION ORIGINAL CODE

S/N	ORIGINAL CODE	TRANSMISSION MANUFACTURER	VEHICLE MODEL STRUCTURE FEATURE	
			DRIVE TYPE FEATURE	ENGINE TYPE FEATURE
1	NONE	TAGC	2WD	GW491QE GASOLINE VEHICLE
2	S	SSBAT	2WD	GW491QE GASOLINE VEHICLE
3	SY	TAGC	4WD (ELECTRONICALLY CONTROLLED)	GW491QE GASOLINE VEHICLE
4		BW (TRANSFER CASE)	4WD (ELECTRONICALLY CONTROLLED)	GW491QE GASOLINE VEHICLE

Appendix 3

GW VEHICLE SAFE SERIES COMPONENTS COLOR CODE




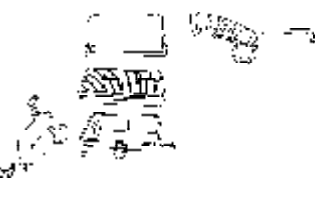



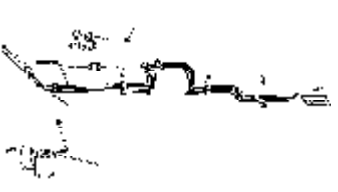
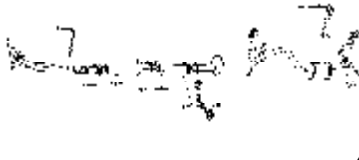







COLOR	BRIEF CODE	CODE	COLOR	BRIEF CODE	CODE	COLOR	BRIEF CODE	CODE
ROSEBUSH RED	11	0101	FIRE PROTECTION RED	16	0106	PURPLISH RED	1B	0111
NOBLE RED	12	0102	POWER RED	17	0107	LIGHT PURPLISH RED	1C	0112
PEARL RED	13	0103	RED GOLDEN	18	0108	CARMINE PAINT	1D	0113
ROSE RED	14	0104	RED METALIC PAINT	19	0109	FASHIONABLE ORANGE	21	0201
MAPLE LEAF RED	15	0105	RED	1A	0110	SUN YELLOW	31	0301



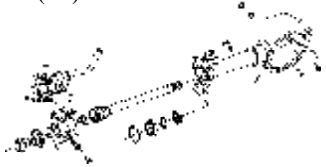




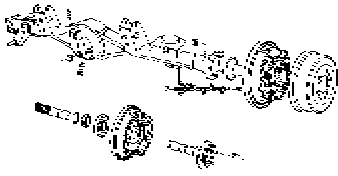







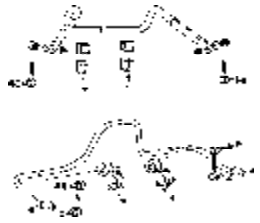
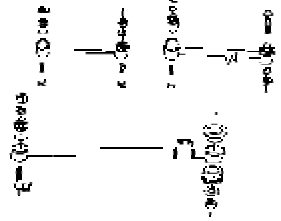
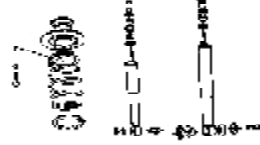
Appendix 3 Continued

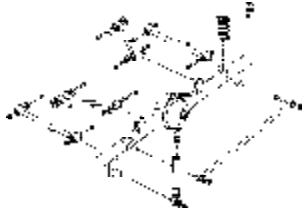
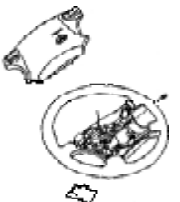
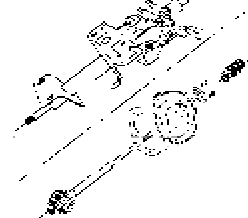

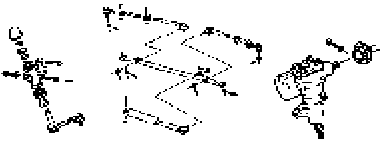

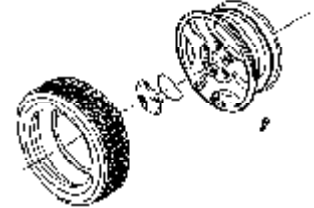


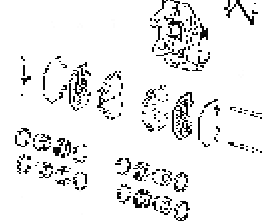
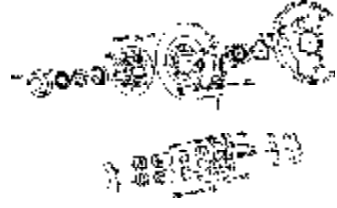
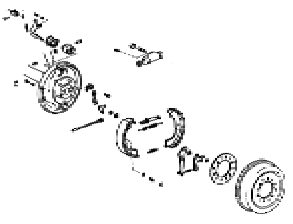


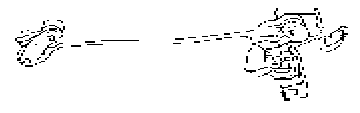
GW VEHICLE SAFE SERIES COMPONENTS COLOR CODE


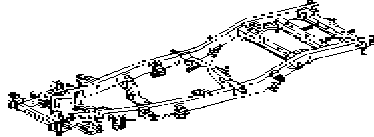
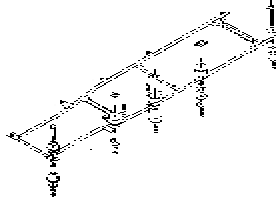
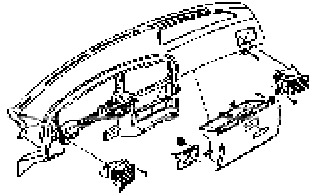
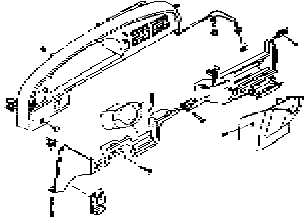


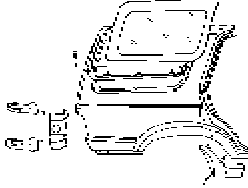

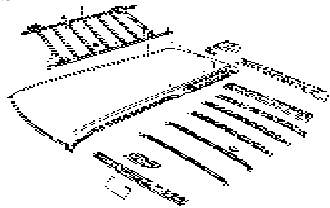
COLOR	BRIEF CODE	COD E	COLOR	BRIEF CODE	CODE	COLOR	BRIEF CODE	COD E
CLASSIC YELLOW	32	0302	LIGHT GREEN	4D	0413	BEACH GOLDEN	A1	1001
TAXI YELLOW	33	0303	DARK BLACKISH GREEN	4E	0414	COFFEE GOLDEN	A2	1002
ENGINEERING YELLOW	34	0304	DARK GREEN	4F	0415	CHAMPAIGN GOLDEN	A3	1003
ORANGE	35	0305	CYAN	51	0501	LIGHT CHAMPAIGN GOLDEN	A4	1004
SAND YELLOW	36	0306	PURPLISH BLUE	61	0601	GOLD	A5	1005
STAR YELLOW	37	0307	GLEAM BLUE	62	0602	CHARMING GOLD	A6	1006
MILK YELLOW	38	0308	PEARL BLUE	63	0603	SILVER SKY	B1	1101
LIGHT YELLOW	39	0309	SKY BLUE	64	0604	CHAMPAIGN SILVER	B2	1102
CREAM- COLORED	3A	0310	NOBLE BLUE	65	0605	DESERT SILVER	B3	1103
YELLOW	3B	0311	COSMOS BLUE	66	0606	CRYSTAL SILVER	B4	1104
ORANGE PAINT	3C	0312	LIGHT BLUE	67	0607	BLAZE SILVER	B5	1105
COFFEE	3D	0313	GREAT WALL BLUE	68	0608	SILVER	B6	1106
LIGHT COFFEE	3E	0314	BLUE	69	0609	CHARMING SILVER	B7	1107
PALE BROWN	3F	0315	DARK BLAZE BLUE	6A	0610	DARK SILVER	B8	1108
ELEGANCE GREEN	41	0401	LIGHT BLAZE BLUE	6B	0611	DIAMOND GREY	C1	1201
JADE GREEN	42	0402	PURPLE	71	0701	PHANTOM GREY	C2	1202
BLUISH GREEN	43	0403	ROSE PURPLE	72	0702	BLAZE GREY	C4	1204
GENERAL GREEN	45	0405	LIGHT PURPLE	73	0703	NOBLE GREY	C5	1205
POSTAL GREEN	46	0406	DARK PURPLE	74	0704	BUICK GRAY	C6	1206
ANGLE GREEN	47	0407	IMPERIAL BLACK	81	0801	DARK GREY	C7	1207
DREAM GREEN	48	0408	PEARL BLACK	82	0802	LIGHT GREY	C8	1208
GREEN	49	0409	BLACK	83	0803	SILVER GREY	C9	1209
DARK BLACKISH GREEN	4A	0410	PALE BLUE	91	0901	GREY	CA	1210
APPLE GREEN	4B	0411	WHITE GALAXY	92	0902	DARK BROWN	CB	1211
GEM GREEN	4C	0412						

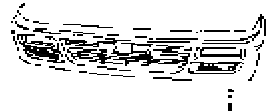
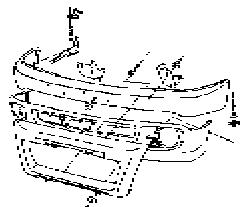
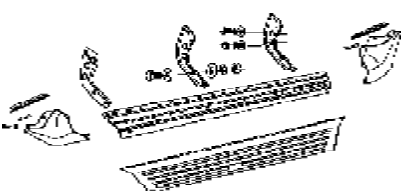

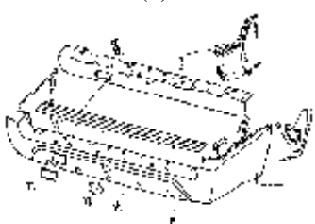
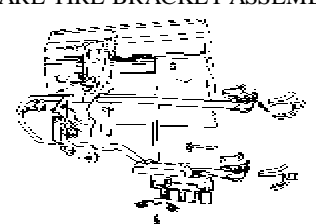

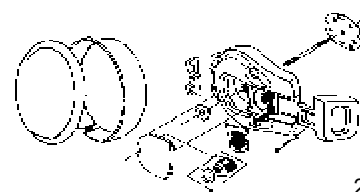
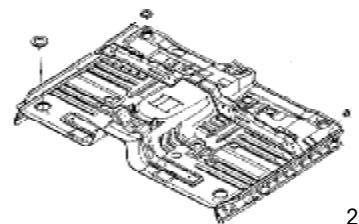
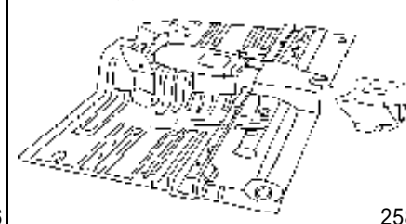
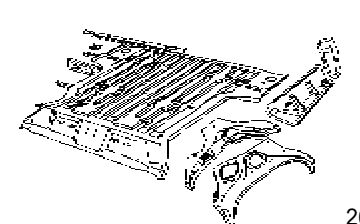
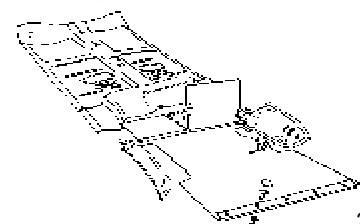

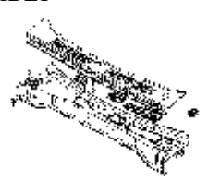
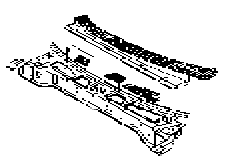
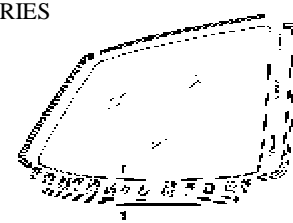
发动机悬置(一) ENGINE MOUNT(1)  26	发动机悬置(二) ENGINE MOUNT(2)  28	空气滤清器总成(一) AIR FILTER ASSEMBLY(1)  30	空气滤清器总成(二) AIR FILTER ASSEMBLY(2)  32
油门操纵机构 ACCELERATOR OPERATING DEVICE  34	供油系(一)--燃油箱总成(1) FUEL SUPPLY SYSTEM (1) – FUEL TANK ASSEMBLY(1)  36	供油系(一)--燃油箱总成(2) FUEL SUPPLY SYSTEM (1) – FUEL TANK ASSEMBLY(2)  38	供油系(二)--燃油管路 FUEL SUPPLY SYSTEM (2) – FUEL PIPE  40
排气系装置 EXHAUST SYSTEM DEVICE  44	散热器总成 RADIATOR ASSEMBLY  46	溢水罐总成 EXPANSION TANK ASSEMBLY  48	离合器操纵机构 CLUTCH CONTROL MECHANISM  50
变速器 -- 唐齿 上齿(一) TRANSMISSION – TAGC AND SSBAT (1)  52	变速器 -- 唐齿 上齿(二) TRANSMISSION – TAGC AND SSBAT (2)  58	变速器 -- 唐齿 上齿(三) TRANSMISSION – TAGC AND SSBAT (3)  60	变速器 -- 唐齿 上齿(四) TRANSMISSION – TAGC AND SSBAT (4)  66


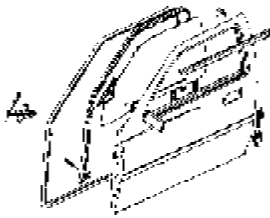
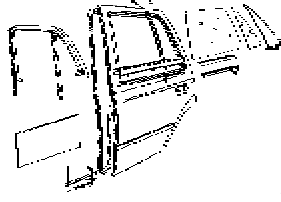
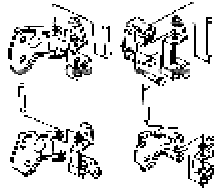
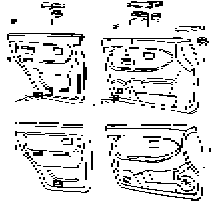
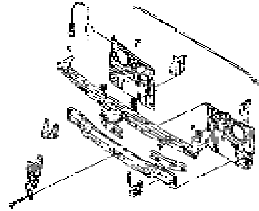
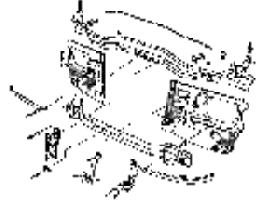
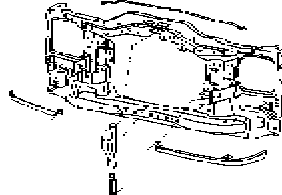
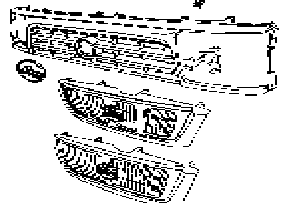
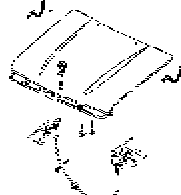

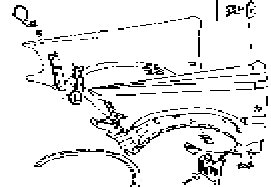
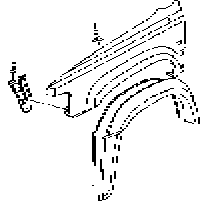
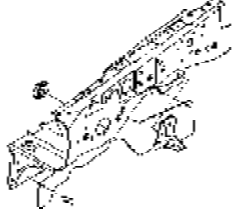
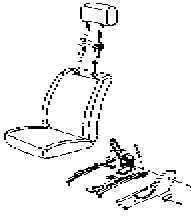
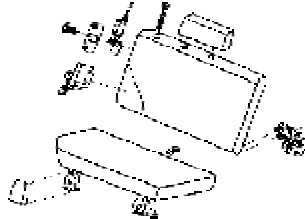
变速器 -- 唐齿 上齿(五) TRANSMISSION – TAGC AND SSBAT (5) 70	变速器 -- 韩齿(一) TRANSMISSION – HANSHIN (1) 74	变速器 -- 韩齿(二) TRANSMISSION – HANSHIN (2) 76	变速器 -- 韩齿(三) TRANSMISSION – HANSHIN (3) 78
变速器 -- 韩齿(四) TRANSMISSION – HANSHIN (4) 80	变速器 -- 韩齿(五) TRANSMISSION – HANSHIN (5) 82	变速器 -- 韩齿(六) TRANSMISSION – HANSHIN (6) 84	变速器 -- 韩齿(七) TRANSMISSION – HANSHIN (7) 86
变速器 -- 韩齿(八) TRANSMISSION – HANSHIN (8) 90	分动器 -- 博格华纳(一) TRANSFER CASE – BW (1) 94	分动器 -- 博格华纳(二) TRANSFER CASE – BW (2) 96	分动器 -- 博格华纳(三) TRANSFER CASE – BW (3) 98
传动轴总成(一) PROPELLER SHAFT ASSEMBLY(1) 102	传动轴总成(二) PROPELLER SHAFT ASSEMBLY(2) 104	四驱前驱动桥总成 4WD FRONT DRIVE AXLE ASSEMBLY 106	四驱前驱动桥总成(F1) 4WD FRONT DRIVE AXLE ASSEMBLY(F1) 108

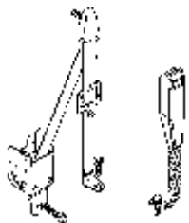




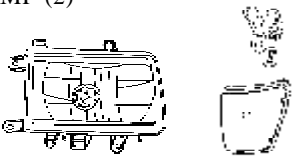

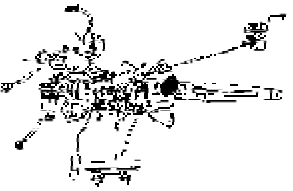

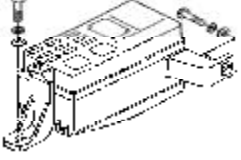
前桥壳及半轴(F1) FRONT AXLE CASING AND AXLE SHAFT(F1)  110	前桥减速器及差速器总成 FRONT REDUCER AND DIFFERENTIAL ASSEMBLY  112	前桥减速器及差速器总成(F1) FRONT REDUCER AND DIFFERENTIAL ASSEMBLY(F1)  116	前轴毂和转向节 FRONT WHEEL HUB AND STEERING KNUCKLE  120
前轴毂和转向节(F1) FRONT WHEEL HUB AND STEERING KNUCKLE(F1)  124	后桥总成 REAR AXLE ASSEMBLY  128	后桥总成(F1) REAR AXLE ASSEMBLY(F1)  130	后桥减速器及差速器总成 REAR REDUCER AND DIFFERENTIAL ASSEMBLY  132
备胎升降器总成 SPARE TIRE REGULATOR ASSEMBLY  136	下摆臂总成 LOWER CONTROL ARM ASSEMBLY  138	上摆臂总成及扭杆 UPPER CONTROL ARM ASSEMBLY AND TORSION BAR  140	上下摆臂(F1) UPPER/LOWER CONTROL ARM(F1)  144
横向稳定杆 STABILIZER ROD  148	前横向稳定杆(F1) FRONT STABILIZER BAR(F1)  150	后悬挂组件 REAR SUSPENSION ASSEMBLY  152	后螺旋簧组件及减震器总成 REAR COIL SPRING ASSEMBLY AND SHOCK ABSORBER ASSEMBLY  154


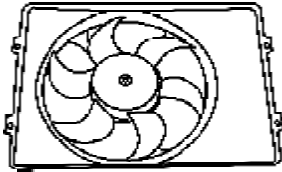
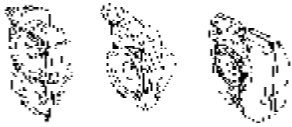
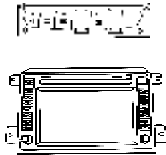


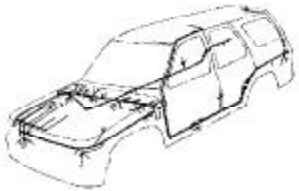
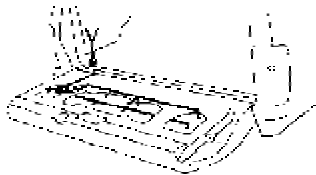
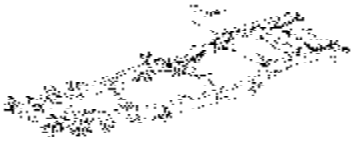



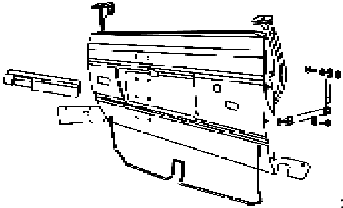

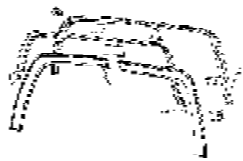
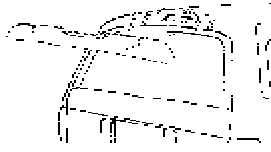
后悬架总成(F1) REAR SUSPENSION ASSEMBLY(F1)  156	方向盘总成 STEERING WHEEL ASSEMBLY  158	转向传动装置 STEERING APPARATUS  160	动力转向油泵总成 POWER STEERING PUMP ASSEMBLY  162
转向拉杆及转向器 STEERING TIE ROD AND STEERING GEAR  164	整体式动力转向器(F1) INTEGRAL POWER STEERING GEAR(F1)  166	车轮总成 WHEEL ASSEMBLY  168	制动管路装置 BRAKING LINES UNIT  170
制动与离合器踏板及踏板总成 BRAKE & CLUTCH PEDAL ASSEMBLY  172	制动钳总成 BRAKE CALIPER ASSEMBLY  175	前制动器总成(F1) FRONT BRAKE ASSEMBLY(F1)  176	后制动器总成 REAR BRAKE ASSEMBLY  180
后制动器总成(F1) REAR BRAKE ASSEMBLY(F1) 182	真空助力器带制动总泵总成 VACUUM BOOSTER & BRAKE MASTER CYLINDER ASSEMBLY  186	驻车制动操纵总成 PARKING BRAKE CONTROLLER ASSEMBLY  188	感载比例阀总成 LOAD-SENSING PROPORTIONING VALVE ASSEMBLY  190






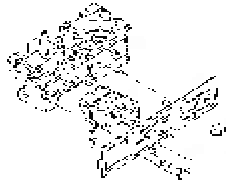
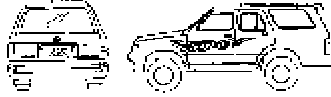
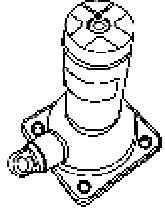

发动机导流板 ENGINE MUDGUARD  192	车架总成 FRAME ASSEMBLY  194	整车悬置总成 BODY MOUNT ASSEMBLY  196	仪表板总成(一) INSTRUMENT PANEL ASSEMBLY (1)  198
仪表板面罩 INSTRUMENT PANEL TRIM PANEL  200	仪表板总成(二) INSTRUMENT PANEL ASSEMBLY (2)  202	仪表板加强梁组件 INSTRUMENT PANEL REINFORCEMENT MEMBER  204	左前立柱总成 LEFT A PILLAR ASSEMBLY  206
左中立柱总成 LEFT B PILLAR ASSEMBLY  210	后侧围(一)-- 后侧围外板 REAR BODY SIDE (1)-REAR BODY SIDE OUTER PANEL  214	后侧围(二)-- 外后备胎及侧窗附件 REAR BODY SIDE (2)-SPARE TIRE AND SIDE WINDOW ACCESSORIES  218	后侧围(三)-- 油箱门附件及挡泥板 REAR BODY SIDE (3)-FUEL FILLER DOOR ACCESSORIES AND MUDGUARD  220
后侧围(四)-- 后侧围装饰板 REAR BODY SIDE(4)-REAR BODY SIDE TRIM PANEL  222	左侧围上下梁 LEFT BODY SIDE UPPER AND LOWER RAIL  228	顶盖及行李架总成 ROOF PANEL AND ROOF RACK ASSEMBLY  232	顶棚及附件 ROOF LINER AND ACCESSORIES  234

<p>前保险杠(一) FRONT BUMPER (1)</p>  <p>238</p>	<p>前保险杠(二) FRONT BUMPER (2)</p>  <p>240</p>	<p>车门侧踏板 DOOR SIDE STEP</p>  <p>242</p>	<p>后保险杠(一) REAR BUMPER (1)</p>  <p>246</p>
<p>后保险杠(二) REAR BUMPER (2)</p>  <p>248</p>	<p>后备胎架总成(一) SPARE TIRE BRACKET ASSEMBLY(1)</p>  <p>250</p>	<p>后备胎架总成(二) SPARE TIRE BRACKET ASSEMBLY(2)</p>  <p>252</p>	<p>后备胎罩组件 SPARE TIRE COVER ASSEMBLY</p>  <p>254</p>
<p>地板(一)--前地板 FLOOR (1) - FRONT FLOOR</p>  <p>256</p>	<p>地板(二)--前地板 FLOOR (2) - FRONT FLOOR</p>  <p>258</p>	<p>地板(三)--后地板 FLOOR (3) - REAR FLOOR</p>  <p>260</p>	<p>地板(四)--地毯 FLOOR (4) - CARPET</p>  <p>262</p>
<p>地板(五)--变速器装饰罩及附件 FLOOR(5)- FLOOR CONSOLE AND ACCESSORIES</p>  <p>264</p>	<p>前围(一)--前通风窗盖板及前围上部总成 FRONT WALL (1)-FRONT VENT LID AND FRONT WALL UPPER PARTS ASSEMBLY</p>  <p>268</p>	<p>前围(二)--前通风窗盖板及前围上部总成 FRONT WALL (1)-FRONT VENT LID AND FRONT WALL UPPER PARTS ASSEMBLY</p>  <p>270</p>	<p>前风窗及附件 FRONT WINDSHIELD AND ACCESSORIES</p>  <p>272</p>

前围挡板总成 FRONT WALL ASSEMBLY  274	左前侧面车门总成 LEFT FRONT DOOR ASSEMBLY  276	左后侧面车门总成 LEFT REAR DOOR ASSEMBLY  280	车门上下铰链总成 DOOR UPPER AND LOWER HINGE ASSEMBLY  284
左侧面车门内饰板 LEFT SIDE DOOR INNER DECORATE PLATE  286	散热器支架总成(一) RADIATOR BRACKET ASSEMBLY (1)  292	散热器支架总成(二) RADIATOR BRACKET ASSEMBLY (2)  294	散热器支架总成(三) RADIATOR BRACKET ASSEMBLY (3)  296
散热器罩 RADIATOR GRILL  298	发动机罩总成(一) ENGINE HOOD ASSEMBLY (1)  300	发动机罩总成(二) ENGINE HOOD ASSEMBLY (2)  302	翼子板总成(一) FENDER ASSEMBLY(1)  304
翼子板总成(二) FENDER ASSEMBLY(2)  306	挡泥板总成 MUDGUARD ASSEMBLY  308	前排座椅总成 FRONT ROW SEAT ASSEMBLY  310	后排座椅总成 REAR ROW SEAT ASSEMBLY  314

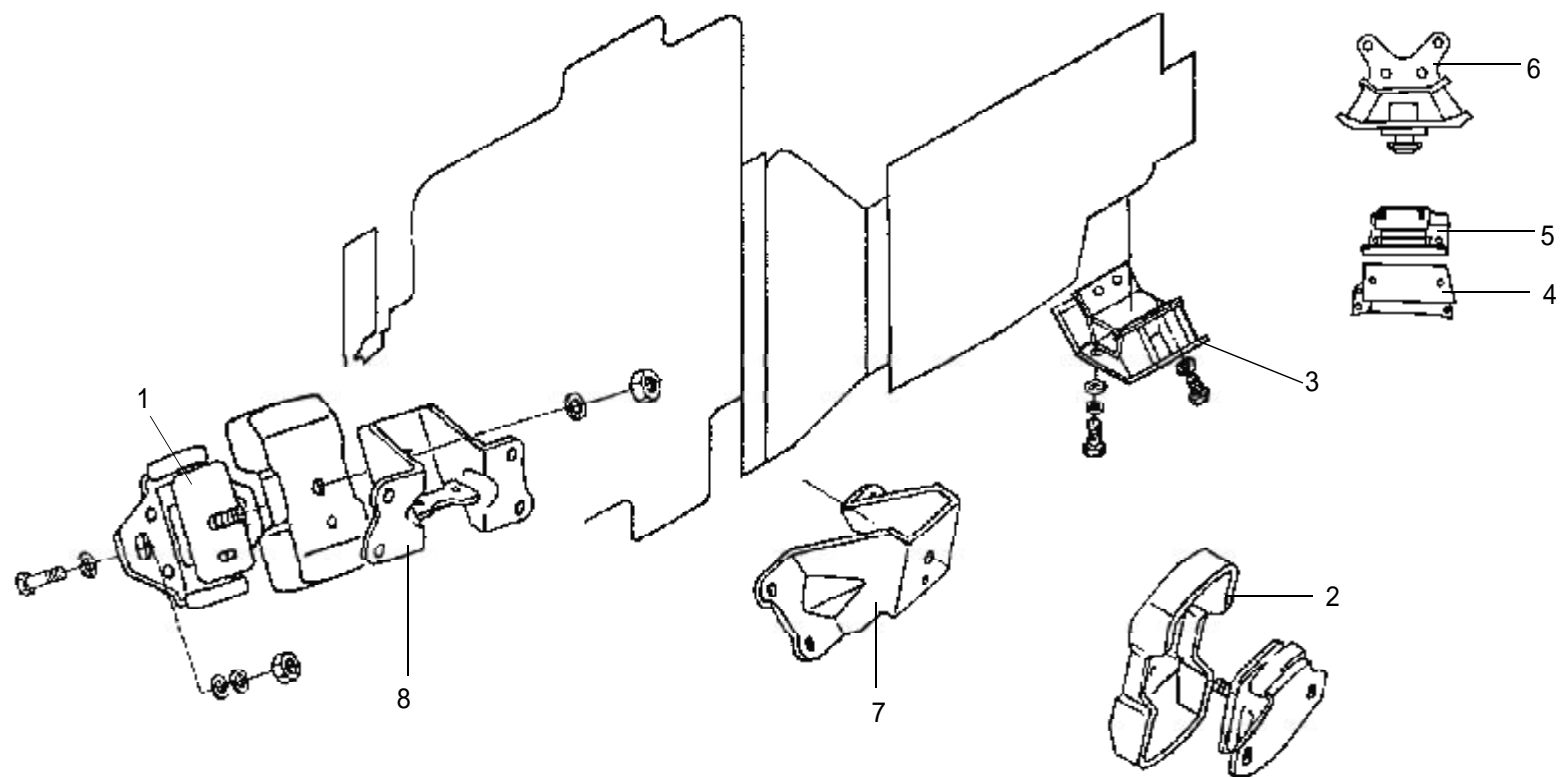
<p>前排安全带总成 FRONT ROW SEAT BELT ASSEMBLY</p>  <p>318</p>	<p>后排安全带总成 BACK ROW SEAT BELT ASSEMBLY</p>  <p>320</p>	<p>刮水器总成 WIPER ASSEMBLY</p>  <p>322</p>	<p>后刮水器总成 REAR WIPER ASSEMBLY</p>  <p>324</p>
<p>后围横梁装饰罩 REAR WIPER AND DAMP LAMP TRIM COVER</p>  <p>324</p>	<p>风窗洗涤器总成 WINDSHIELD WASHER ASSEMBLY</p>  <p>326</p>	<p>蓄电池总成 BATTERY ASSEMBLY</p>  <p>328</p>	<p>灯具(一) LAMP (1)</p>  <p>330</p>
<p>灯具(二) LAMP (2)</p>  <p>334</p>	<p>灯具(三) LAMP (3)</p>  <p>336</p>	<p>前侧面车门锁总成 FRONT DOOR LOCK ASSEMBLY</p>  <p>338</p>	<p>后侧面车门锁总成 REAR DOOR LOCK ASSEMBLY</p>  <p>342</p>
<p>后背门玻璃升降器及锁总成 TAIL DOOR POWER WINDOW REGULATOR AND LOCK ASSEMBLY</p>  <p>346</p>	<p>电动玻璃升降器总成 POWER WINDOW REGULATOR ASSEMBLY</p>  <p>348</p>	<p>电器设备(一) ELECTRICAL EQUIPMENT (1)</p>  <p>350</p>	<p>电器设备(二) ELECTRICAL EQUIPMENT (2)</p>  <p>354</p>

电器设备(三) ELECTRICAL EQUIPMENT (3)  356	散热器风扇总成 HEAT CONDENSER FAN ASSEMBLY  358	音箱总成 LOUD SPEAKER ASSEMBLY  360	仪表控制台(一) CONTROL PANEL (1)  362
仪表控制台(二) CONTROL PANEL (2)  366	组合仪表总成 COMBINATION INSTRUMENT ASSEMBLY  368	线束分布(一) WIRING HARNESS ARRANGEMENT (1)  370	线束分布(二) WIRING HARNESS ARRANGEMENT (2)  376
线束分布(三) WIRING HARNESS ARRANGEMENT (3)  378	线束分布(四) WIRING HARNESS ARRANGEMENT (4)  380	后背门(一) TAIL DOOR (1)  382	后背门(二) TAIL DOOR (2)  384
后背门(三) TAIL DOOR (3)  386	后背门(四) TAIL DOOR (4)  388	后背门上框总成 TAIL DOOR UPPER FRAME ASSEMBLY  390	尾翼 TAIL SPOILER  392

<p>空调(一)-- 冷凝器、储液干燥组件 A/C(1)- CONDENSER AND RE- CEIVER DRYER KIT</p>  <p>394</p>	<p>空调(二)-- 制冷压缩机总成 A/C(2)- COMPRESSOR ASSEMBLY</p>  <p>396</p>	<p>空调(三)-- 蒸发器及鼓风机 A/C(3)- EVAPORATOR AND AIR BLOWER</p>  <p>398</p>	<p>空调(四)-- 风道 A/C(4)- AIR TUNNEL</p>  <p>400</p>
<p>空调(五)-- 暖风水箱总成 A/C(5)- HEAT RADIATOR</p>  <p>402</p>	<p>空调(六)-- 控制操纵器总成 A/C(6)- CONTROLLER ASSEMBLY</p>  <p>404</p>	<p>车标 VEHICLE LOGO</p>  <p>406</p>	<p>随车工具总成 INCAR TOOL ASSEMBLY</p>  <p>408</p>
<p>车身彩条 DECORATION RIBBON</p>  <p>410</p>			

发动机悬置(一) ENGINE MOUNT(1)

26



 每天进步一点点

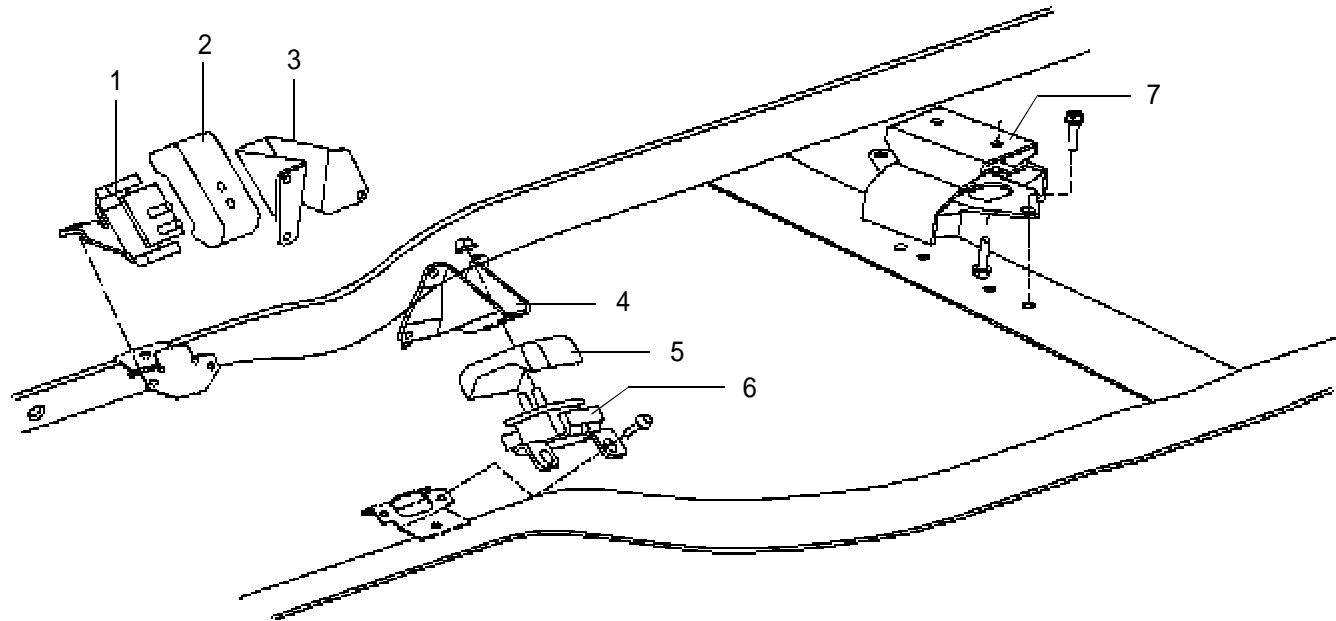
发动机悬置(一) ENGINE MOUNT(1)

序号 S/N	零部件代号 PART CODE	零部件名称 PART NAME	用量 QTY	适用车型 VEHICLE APPLICABLE TO	备注 REMARK
1	1001110-D07	发动机悬置胶垫总成 ENGINE MOUNT INSULATOR ASSEMBLY	2	F00 F01 F02 F03	
2	1001101-D01	发动机悬置胶垫护盖 INSULATOR COVER,ENGINE MOUNT	2		
3	1701200-D01	变速器悬置胶垫总成 TRANSMISSION MOUNT INSULATOR ASSEMBLY	1	F00 F02	
4	1701210-F01	变速器悬置上支架总成 UPPER INSULATOR,TRANSMISSION (ELECTRICALLY-CONTROLLED 4WD)	1	F01 F03	配电控四驱
5	1701220-F01	变速器悬置下胶垫总成 LOWER INSULATOR,TRANSMISSION (ELECTRICALLY-CONTROLLED 4WD)	1		
6	1701200-F01-B1	变速器悬置胶垫总成 TRANSMISSION MOUNT INSULATOR ASSEMBLY (4WD MADE IN KOREA)	1		配韩国四驱
7	1001030-E00	左托架组件 LEFT BRACKET KIT	1	F00 F01 F02 F03	
8	1001020-E00	右托架组件 RIGHT BRACKET KIT	1		



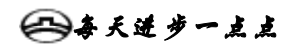
发动机悬置(二) ENGINE MOUNT(2)

28

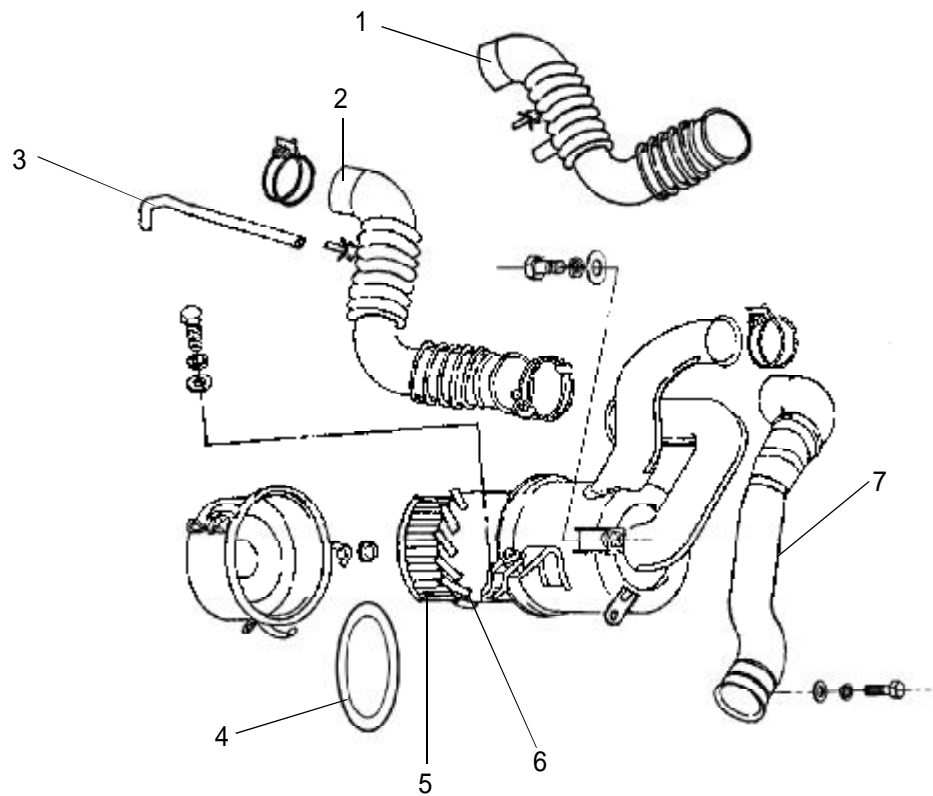


发动机悬置(二) ENGINE MOUNT(2)

序号 S/N	零部件代号 PART CODE	零部件名称 PART NAME	用量 QTY	适用车型 VEHICLE APPLICABLE TO	备注 REMARK
1	1001103-K00	发动机右悬置胶垫总成 ENGINE MOUNT INSULATOR ASSEMBLY,RH	1	F00 F01 F04 F05	
2	1001104-K00	发动机右悬置胶垫盖板 INSULATOR COVER,ENGINE MOUNT,RH	1		
3	1001106-K00	发动机右托架 RIGHT BRACKET,ENGINE	1		
4	1001105-K00	发动机左托架 LEFT BRACKET,ENGINE	1		
5	1001102-K00	发动机左悬置胶垫盖板 INSULATOR COVER,ENGINE MOUNT	1		
6	1001101-K00	发动机左悬置胶垫总成 ENGINE MOUNT INSULATOR ASSEMBLY,LH	1		
7	1706000-K00	变速器悬置胶垫 TRANSMISSION MOUNT INSULATOR ASSEMBLY			



空气滤清器总成(一)AIR FILTER ASSEMBLY(1)



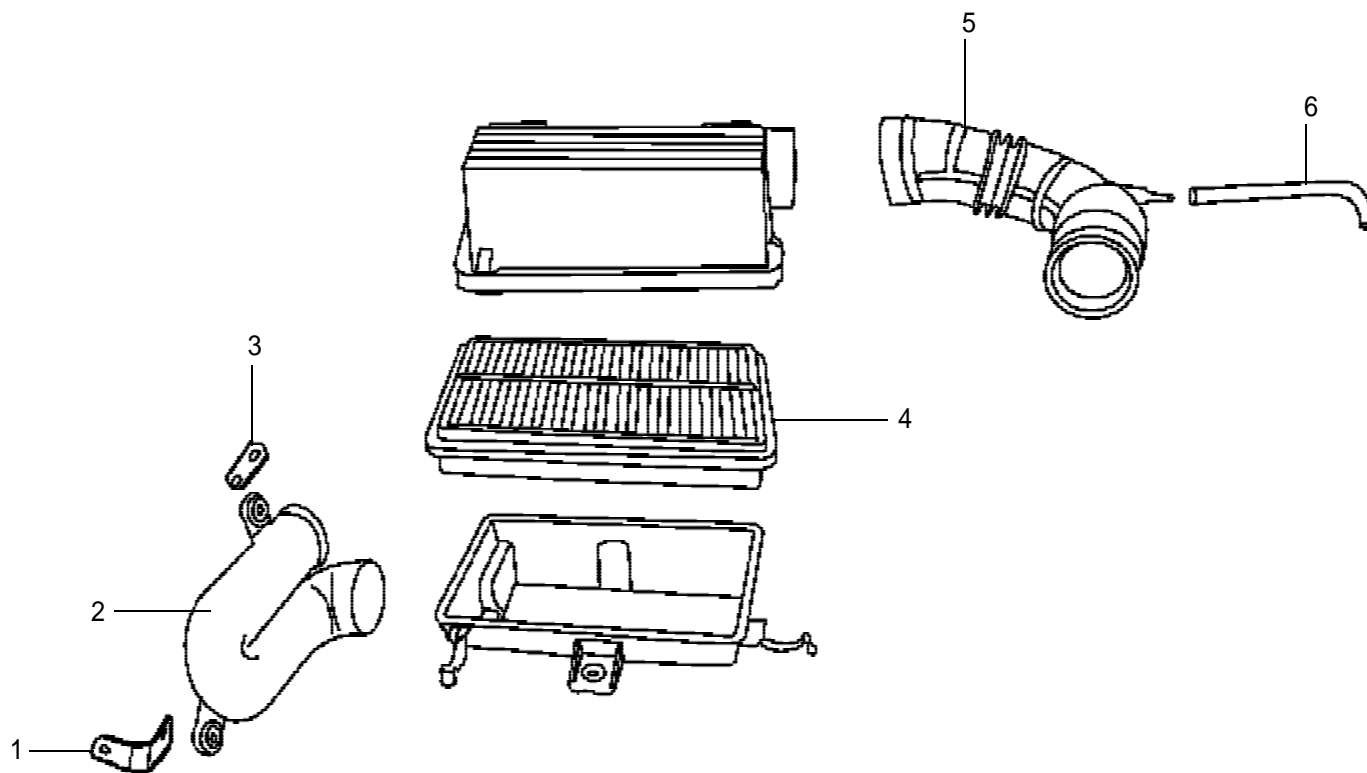
空气滤清器总成(一) AIR FILTER ASSEMBLY(1)

序号 S/N	零部件代号 PART CODE	零部件名称 PART NAME	用量 QTY	适用车型 VEHICLE APPLICABLE TO	备注 REMARK
	1109110-D01	空气滤清器总成 AIR FILTER ASSEMBLY	1	F00 F01 F02 F03	
	1109110-F04	空气滤清器总成 AIR FILTER ASSEMBLY		F04 F05	
1	1109117-D01	发动机进气波纹胶管 ENGINING AIR INLET CORRUGAED HOSE (UAES)	1	F00 F01 F02 F03	联合电子
	1109113-F04	发动机进气波纹胶管 ENGINING AIR INLET CORRUGAED HOSE	1	F04 F05	
2	1109117-D22	发动机进气波纹胶管 ENGINING AIR INLET CORRUGAED HOSE (DELPHI)	1	F02 F03	德尔福
3	1109101-D01	曲轴箱通风胶管 PCV VAVLE HOSE	1	F00 F01 F02 F03	
4	1109114-D01	滤芯下端盖密封垫 FUEL FILTER LOWER SEAL COVER GASKET	1		
5	1109112-D01	空气滤清器滤芯总成 AIR CLEANER FILTER ELEMENT ASSEMBLY	1		
6	1109113-D01	旋流片 SPINNING DISC	1		
7	1109116-D01	进气管总成 AIR INTAKE TUBE ASSEMBLY	1		
	1109112-F04	空气滤清器进气管 AIR INTAKE TUBE,AIR FILTER	1		F04 F05



空气滤清器总成(二) AIR FILTER ASSEMBLY(2)

32



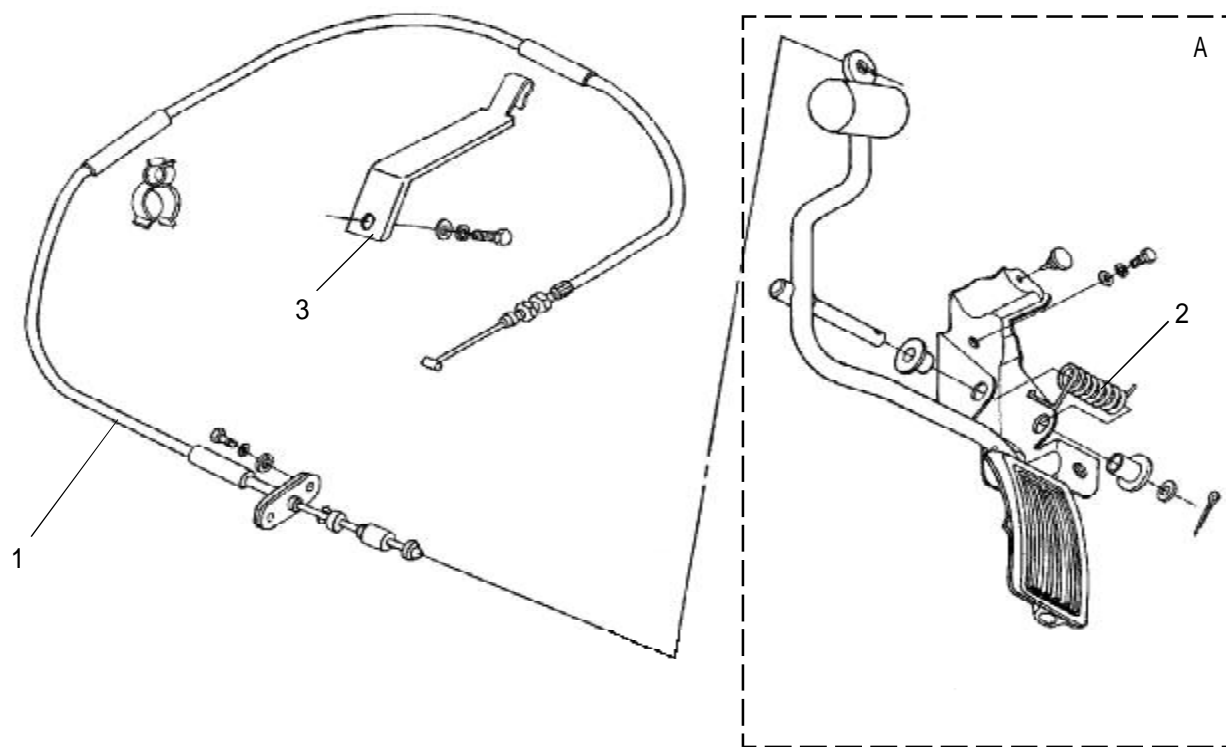
空气滤清器总成(二) AIR FILTER ASSEMBLY(2)

序号 S/N	零部件代号 PART CODE	零部件名称 PART NAME	用量 QTY	适用车型 VEHICLE APPLICABLE TO	备注 REMARK
	1109110-F04	空气滤清器总成 AIR FILTER ASSEMBLY	1	F04 F05	
1	1109104-F04	空气滤清器胶管支架二 AIR FILTER HOSE BRACKET NO.2	1		
2	1109112-F04	空气滤清器进气波纹管 AIR INTAKE TUBE,AIR FILTER	1		
3	1109103-F04	空气滤清器胶管支架一 AIR FILTER HOSE BRACKET NO.1	1		
4	K1-1109020	空气滤清器滤芯总成 AIR CLEANER FILTER ELEMENT ASSEMBLY	1		
5	1109113-F04	发动机进气波纹管 ENGINING AIR INLET CORRUGAED HOSE	1		
6	1109102-F04	曲轴箱通风胶管 PCV VAVLE HOSE	1		



油门操纵机构 ACCELERATOR OPERATING DEVICE

34

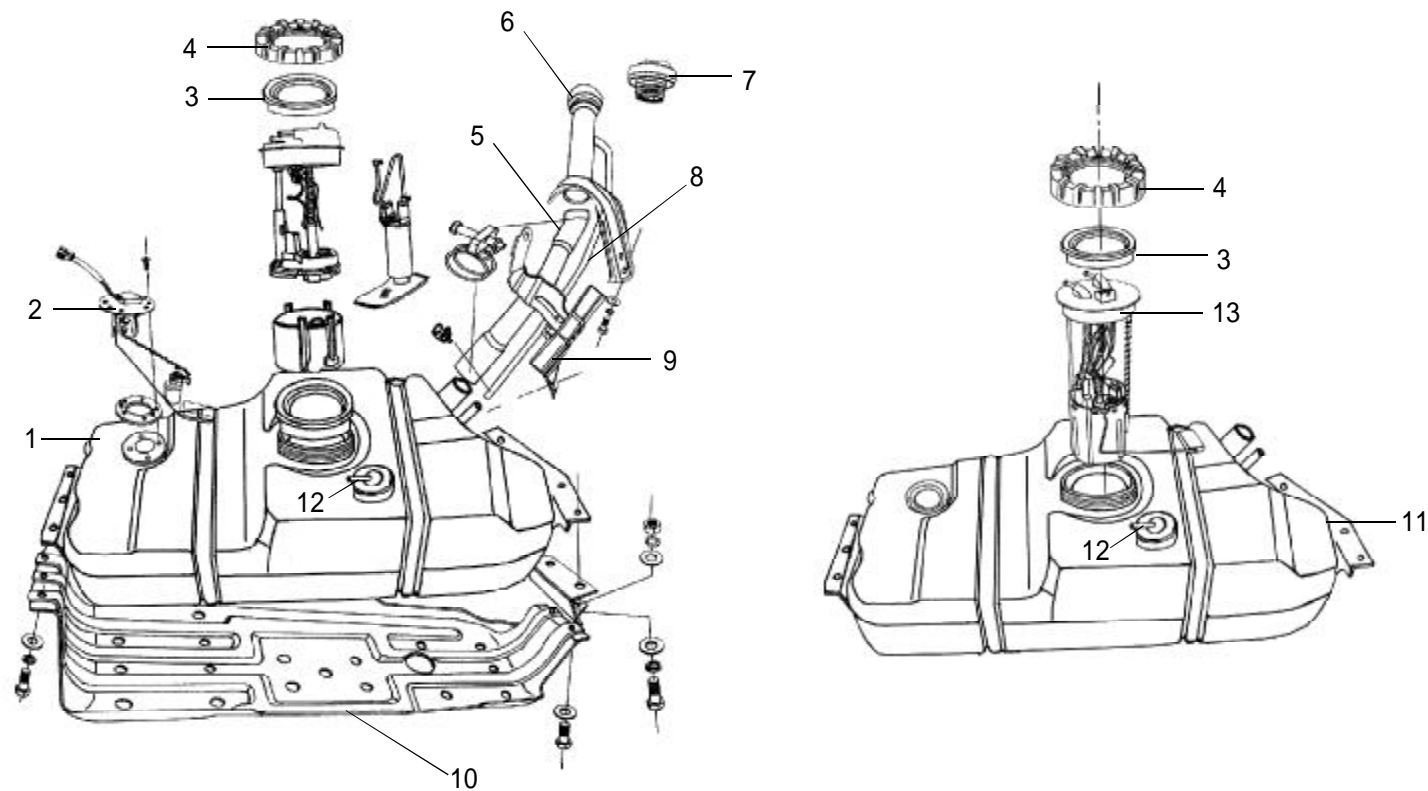


油门操纵机构 ACCELERATOR OPERATING DEVICE

序号 S/N	零部件代号 PART CODE	零部件名称 PART NAME	用量 QTY	适用车型 VEHICLE APPLICABLE TO	备注 REMARK
A	1108110-F02	油门踏板总成 ACCELERATOR PEDAL ASSEMBLY	1	F02 F03	
	1108110-F00	油门踏板总成 ACCELERATOR PEDAL ASSEMBLY		F00 F01 F04 F05	
1	1108120-F02	油门拉线总成 ACCELERATOR CABLE ASSEMBLY	1	F02 F03	
	1108120-D01	油门拉线总成 ACCELERATOR CABLE ASSEMBLY		F00 F01	
	1108120-D50	油门拉线总成 ACCELERATOR CABLE ASSEMBLY		F04 F05	AEM
	1108120-D50-A1	油门拉线总成 ACCELERATOR CABLE ASSEMBLY			AAV
2	1108113-D01	油门杠杆回位弹簧 RETURN SPRING, ACCELERATOR PEDAL	1	F00 F01 F02 F03	
3	1108102-D01	油门拉线支架 BRACKET, ACCELERATOR CABLE	1	F00 F01 F02 F03	

供油系(一)——燃油箱总成(1) FUEL SUPPLY SYSTEM(1) – FUEL TANK ASSEMBLY(1)

36



每天进步一点点

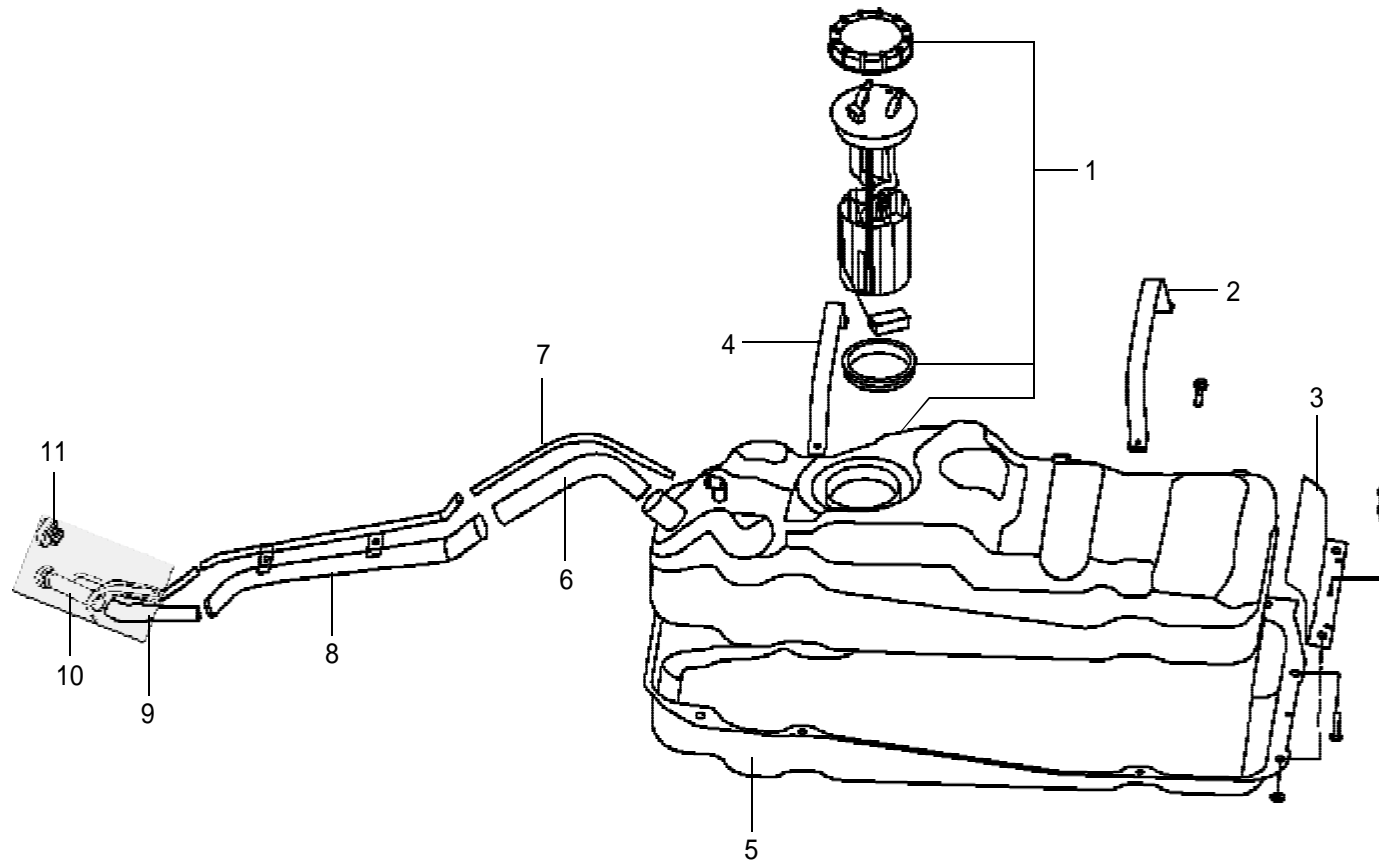
供油系(一)—— 燃油箱总成 FUEL SUPPLY SYSTEM(1) – FUEL TANK ASSEMBLY(1)

序号 S/N	零部件代号 PART CODE	零部件名称 PART NAME	用量 QTY	适用车型 VEHICLE APPLICABLE TO	备注 REMARK	
1	1101110-F02	燃油箱总成 FUEL TANK ASSEMBLY (DELPHI SYSTEM)	1	F02 F03	德尔福系统	
	1101110-K00-B2	燃油箱总成 FUEL TANK ASSEMBLY		F00 F01 F04 F05		
2	1101400-F02-B1	燃油表传感器 FUEL LEVEL SENSOR	1	F02 F03		
3	1106101-D01	燃油泵密封垫圈 SEAL RING, FUEL PUMP	1	F00 F01 F02 F03		
4	1101111-D01	燃油泵压盖 FUEL TANK CAP	1			
5	1101201-F00	加油口进油胶管 FUEL INLET PIPE,FUEL FILLER	1			
6	1101210-F00	加油口分总成 FUEL FILLER ASSEMBLY	1			
7	1101220-F00	加油口盖总成 FUEL FILLER CAP ASSEMBLY	1			
8	1101202-F00	加油口回气胶管 VENTILATION HOSE, FUEL FILLER	1			
9	1101230-F00	油管护板总成 FUEL PIPE GUIDE PLATE ASSEMBLY	1			
10	1101120-F00	燃油箱护板总成 FUEL PIPE GUIDE PLATE ASSEMBLY	1			
	1101210-K00	燃油箱托板总成 FUEL TANK BRACKET ASSEMBLY			F00 F01 F04 F05	
11	1101110-F00	燃油箱总成 FUEL TANK ASSEMBLY (UAES)	1		F00 F01 F02 F03	联电系统
12	1101112-D01	单向阀 CHECK VALVE	1			
13	1106100UA-E01	汽油泵及支架总成 FUEL PUMP & BRACKET ASSEMBLY	1	F00 F01 F02 F03		



供油系(一)——燃油箱总成(2) FUEL SUPPLY SYSTEM(1) – FUEL TANK ASSEMBLY(2)

38

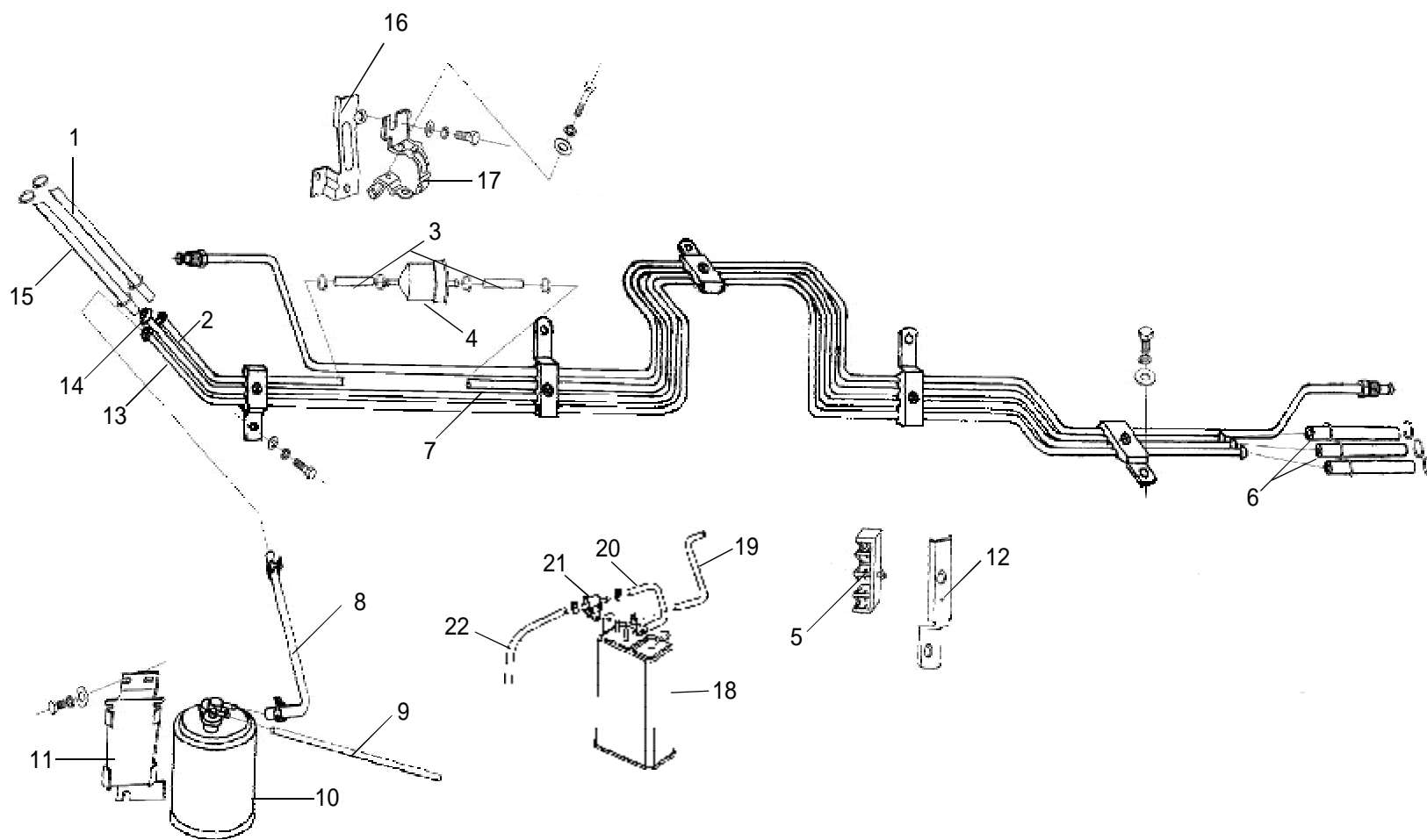


供油系(一)——燃油箱总成(2) FUEL SUPPLY SYSTEM(1) – FUEL TANK ASSEMBLY(2)

序号 S/N	零部件代号 PART CODE	零部件名称 PART NAME	用量 QTY	适用车型 VEHICLE APPLICABLE TO	备注 REMARK
1	1101110-K00-B1	燃油箱总成 FUEL TANK ASSEMBLY	1	F00 F01 F04 F 05	
	1101110-K00-B2	燃油箱总成 FUEL TANK ASSEMBLY			
2	1101230-K00	燃油箱前扎带总成 FRONT BAND ASSEMBLY,FUEL TANK	1		
3	1101220-K00	燃油箱护板 FUEL TANK SHIELD	1		
4	1101240-K00	燃油箱后扎带总成 REAR BAND ASSEMBLY,FUEL TANK	1		
5	1101210-K00	燃油箱托板总成 FUEL TANK BRACKET ASSEMBLY	1		
	1101210-K00-B1	燃油箱托板总成 FUEL TANK BRACKET ASSEMBLY			
6	1101203-F00	加油口进油胶管二 FUEL INLET PIPE,NO.2,FUEL FILLER	1		
7	1101202-F00-C1	加油口回气胶管 VENTILATION HOSE, FUEL FILLER	2		Φ12×9×350
8	1101240-F00	加油管铁管总成 IRON PIPE ASSEMBLY ,FILLER PIPE	1		
9	1101201-F00-C1	加油口进油胶管一 FUEL INLET PIPE,NO.1,FUEL FILLER	1		
10	1101210-F00	加油口分总成 FUEL FILLER ASSEMBLY	1		
11	1101220-F00	加油口盖总成 FUEL FILLER CAPASSEMBLY	1		



供油系(二)——燃油管路 FUEL SUPPLY SYSTEM(2)-FUEL PIPELINE



40

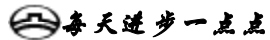
每天进步一点点

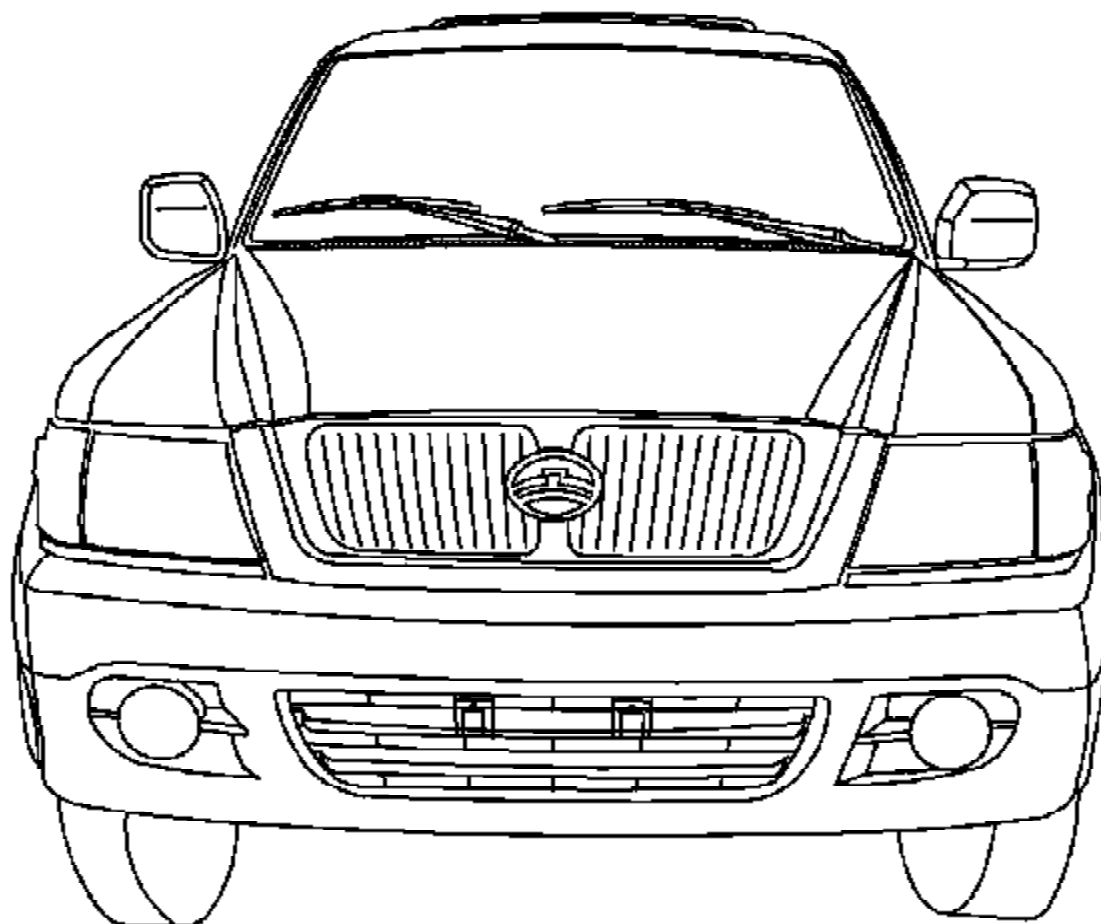
供油系(二) —— 燃油管路 FUEL SUPPLY SYSTEM(2)-FUEL PIPELINE

序号 S/N	零部件代号 PART CODE	零部件名称 PART NAME	用量 QTY	适用车型 VEHICLE APPLICABLE TO	备注 REMARK
1	1104109-F00	发动机胶管 ENGINE HOSE 了;	1	F00 F01 F02 F03	Φ7.6×15×270
2	1104102-F00	燃油箱出油管前节 FRONT SECTION,OUTLET PIPE,FUEL TANK	1	F00 F01 F04 F05	Φ8×410
	1104102-F00-B1	燃油箱出油管前节 FRONT SECTION,OUTLET PIPE,FUEL TANK			
3	1104103-D01	燃油滤清器胶管 FUEL FILTER HOSE	2	F00 F01 F02 F03	
	1104103-F00-B1	燃油滤清器进油胶管 INLET HOSE, FUEL FILTER	1	F00 F01 F04 F05	Φ7.6×15×90
	1104104-F00-B1	燃油滤清器出油胶管 OUTLET HOSE, FUEL FILTER	1		Φ7.6×15×110
4	1105010-D01	燃油滤清器总成 FUEL FILTER ASSEMBLY	1	F00 F01 F02 F03	
	1117100-K00	燃油滤清器总成 FUEL FILTER ASSEMBLY		F00 F01 F04 F05	
5	1104211-D01	四线卡子 FOUR-PIPE CLIP (TYPE 888)	3	F00 F01 F02 F03 F04 F05	888 型
6	1104101-F00	燃油箱胶管 FUEL OUTLET HOSE, FUEL TANK	2	F00 F01 F02 F03	Φ7.6×15×470
	1104101-F00-B1	燃油箱出油管胶管 FUEL OUTLET HOSE, FUEL TANK	1	F00 F01 F04 F05	Φ7.6×15×360
	1104107-F00-B1	燃油箱回油管胶管 FUEL RETURN HOSE, FUEL TANK	1		Φ7.6×15×300
7	1104105-F00	燃油箱出油管后节 REAR SECTION,FUEL OUTLET PIPE,FUEL TANK	1	F00 F01 F02 F03	Φ8×1212
	1104105-F00-B1	燃油箱出油管后节 REAR SECTION,FUEL OUTLET PIPE,FUEL TANK		F00 F01 F04 F05	
8	1130104-F00	碳罐进气胶管 CARBON CANISTER INTAKE HOSE	1	F00 F01 F02 F03	
9	1130105-D01	碳罐出气胶管 AIR OULET HOSE,CARBON CANISTER	1		
10	1130110-D01	碳罐总成 CARBON CANISTER ASSEMBLY	1		天津产
	1130110-D01-A1	碳罐总成 CARBON CANISTER ASSEMBLY			廊坊远祥
11	1130101-D01	碳罐支架 CARBON CANISTER BRACKET	1	F04 F05	天津格林利福
	1130101-D01-A1	碳罐支架 CARBON CANISTER BRACKET			廊坊产
	1130101-F04	碳罐支架 CARBON CANISTER BRACKET			

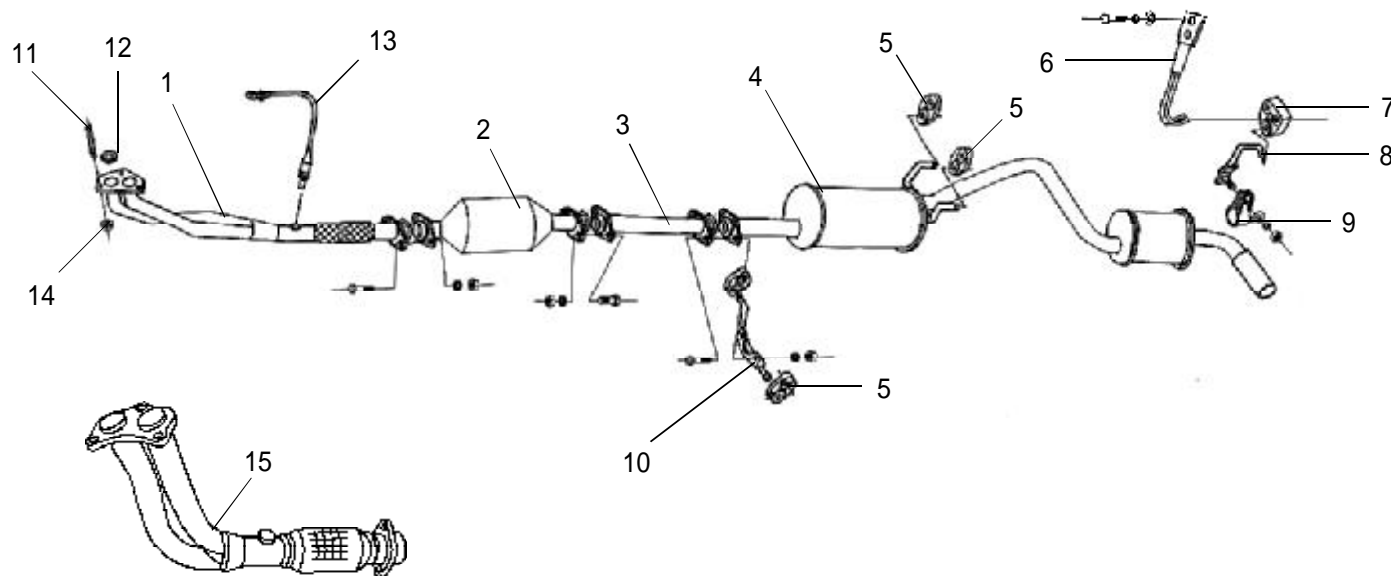
供油系(二) —— 燃油管路 FUEL SUPPLY SYSTEM(2)-FUEL PIPELINE

序号 S/N	零部件代号 PART CODE	零部件名称 PART NAME	用量 QTY	适用车型 VEHICLE APPLICABLE TO	备注 REMARK
12	1104212-D01	油管卡子座二 PIPE CLIP SEAT (TYPE 666)	1	F00 F01 F02 F03	666 型
13	1130103-F00	燃油蒸发金属管 FUEL EVAPORATION PIPE	1		Φ6×1949
	1130103-F00-B1	燃油蒸发金属管 FUEL EVAPORATION PIPE		F00 F01 F02 F03 F04 F05	
14	1104108-F00	燃油箱回油管 RETURN PIPE,FUEL TANK	1	F00 F01 F02 F03	Φ8×1845
	1104108-F00-B1	燃油箱回油管 RETURN PIPE,FUEL TANK		F00 F01 F04 F05	
15	1104106-D01	发动机胶管 ENGINE HOSE	1	F00 F01 F02 F03	Φ7.6×15×200
	1104106-F00-B1	发动机进出油胶管 ENGINE INLET OR OUTLET HOSE	2	F00 F01 F04 F05	Φ7.6×15×290
16	1105101-E01	燃油滤清器支架一 FUEL FILTER BRACKET NO.1	1	F00 F01 F02 F03	
17	1105102-E01	燃油滤清器支架二 FUEL FILTER BRACKET NO.2	1		
18	1130110-F04	碳罐总成 CARBON CANISTER ASSEMBLY	1	F04 F05	
19	1130105-D50	碳罐出气胶管 AIR OULET HOSE,CARBON CANISTER	1		
20	1130104-F04	碳罐进气胶管 CARBON CANISTER INTAKE HOSE	1		
21	1130106-F04	保压阀 PRESSURE VALVE	1		
22	1130108-F04	保压阀胶管 PRESSURE VALVE HOSE	1		





排气系装置 EXHAUST SYSTEM DEVICE



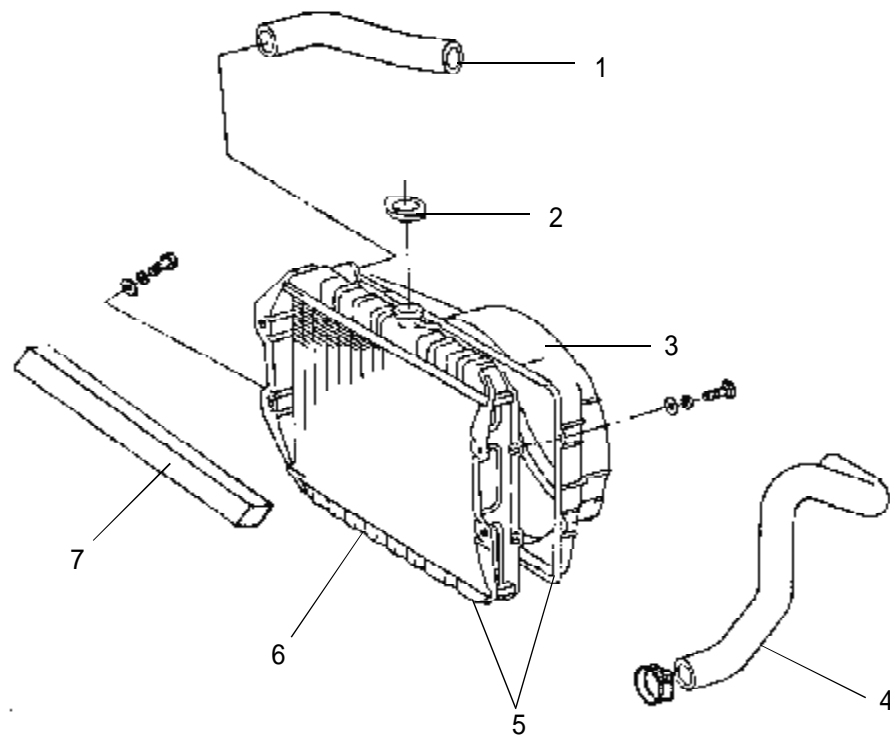
44

排气系装置 EXHAUST SYSTEM DEVICE

序号 S/N	零部件代号 PART CODE	零部件名称 PART NAME	用量 QTY	适用车型 VEHICLE APPLICABLE TO	备注 REMARK
1	1201100-F00	排气管前节总成 FRONT SECTION ASSEMBLY,EXHAUST PIPE	1	F00 F01 F02 F03	
2	1205020-E01-B2	催化转化器总成 CATALYTIC CONVERTER ASSEMBLY (MADE IN BAODING)	1		保定产
3	1201300-F02	排气管加长节总成 MIDDLE SECTION ASSEMBLY ,EXHAUST PIPE	1	F02 F03	
	1201300-F00-B1	排气管加长节总成 MIDDLE SECTION ASSEMBLY ,EXHAUST PIPE		F00 F01	
	1201300-F05	排气管加长节总成 MIDDLE SECTION ASSEMBLY ,EXHAUST PIPE		F04 F05	
4	1201210-F00	消声器及尾管总成 MUFFLER ASSEMBLY	1	F00 F01 F02 F03	
	1201210-F00-B1	消声器及尾管总成 MUFFLER ASSEMBLY		F00 F01 F04 F05	
5	1201011-D01	双孔橡胶块 TWO-HOLE RUBBER PIECE	3	F00 F01 F02 F03	
6	1201204-F00	消声器吊挂支架四 HANGER BRACKET,NO.4,MUFFLER	1		
7	1201012-D01	三孔橡胶块 THREE-HOLE RUBBER PIECE	1		
	1200015-K00	三孔橡胶块 THREE-HOLE RUBBER PIECE		F00 F01 F04 F05	
8	1201205-F00	消声器卡箍吊钩 MUFFLER CLIPHOOK	1	F00 F01 F02 F03	
9	1201206-D17	消声器卡箍 MUFFLER CLIP	1		
10	1201202-D01	排气管吊挂支架二 HANGER BRACKET, NO.2, EXHAUST PIPE	1		
11	1008014-E00	进排气管双头螺栓 DOUBLE END STUD,INLET/OULET MANIFORD	3	F00 F01 F02 F03 F04 F05	
12	1008070A-E00	排气管出口密封垫组件 WASHER KIT,EXHAUST PIPE	2		
13	36709700U-E01	氧传感器 OXYGEN SENSOR	1		
14	1008015-E00	排气管出口螺母 BOLT,EXHAUST PIPE	3		
15	1201100-F00-B1	排气管前节总成 FRONT SECTION ASSEMBLY,EXHAUST PIPE	1	F00 F01	
	1201100-F04	排气管前节总成 FRONT SECTION ASSEMBLY,EXHAUST PIPE		F04 F05	

散热器总成 RADIATOR ASSEMBLY

46



 每天进步一点点

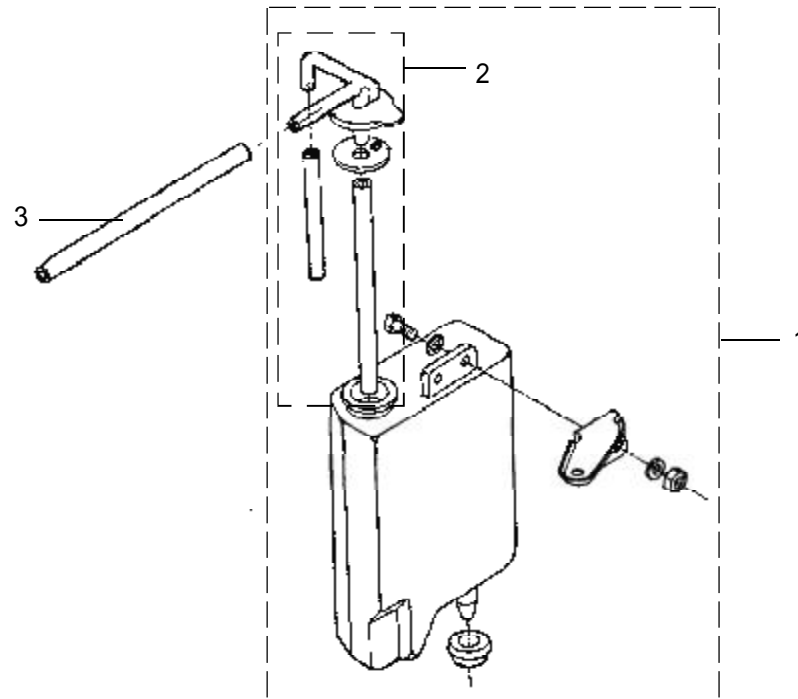
散热器总成 RADIATOR ASSEMBLY

序号 S/N	零部件代号 PART CODE	零部件名称 PART NAME	用量 QTY	适用车型 VEHICLE APPLICABLE TO	备注 REMARK	
1	1301103-F00	散热器上水胶管 RADIATOR HOSE,UPPER	1	F00 F01 F02 F03 F04 F05		
	1301103-D01	散热器上水胶管 RADIATOR HOSE,UPPER				
2	1301111-F00	散热器盖 RADIATOR CAP	1			
	1301111-D01	散热器盖 RADIATOR CAP (TWO-ROW)			双排	
	1301111-D44	散热器盖 RADIATOR CAP (THREE-ROW)			三排	
3	1301121-D01	风扇护风罩 FAN SHROUD	1			
	1301121-F00	风扇护风罩 FAN SHROUD				
4	1301104-F00	散热器下水胶管 RADIATOR HOSE,LOWER	1			
	1301104-D01	散热器下水胶管 RADIATOR HOSE,LOWER				
5	1301120-F00	散热器总成 RADIATOR ASSEMBLY (WITH FAN SHROUD)	1			带风扇护风罩
	1301120-D01	散热器总成 RADIATOR ASSEMBLY (TWO-ROW)			双排	
	1301120-D44	散热器总成 RADIATOR ASSEMBLY (THREE-ROW)			三排	
6	1301110-F00	散热器总成 RADIATOR ASSEMBLY (WITHOUT FAN SHROUD)	1			不带风扇护风罩
7	1301102-F00	散热器海绵条 RADIATOR SPONGE STRIP	1			



溢水罐总成 EXPANSION TANK ASSEMBLY

48

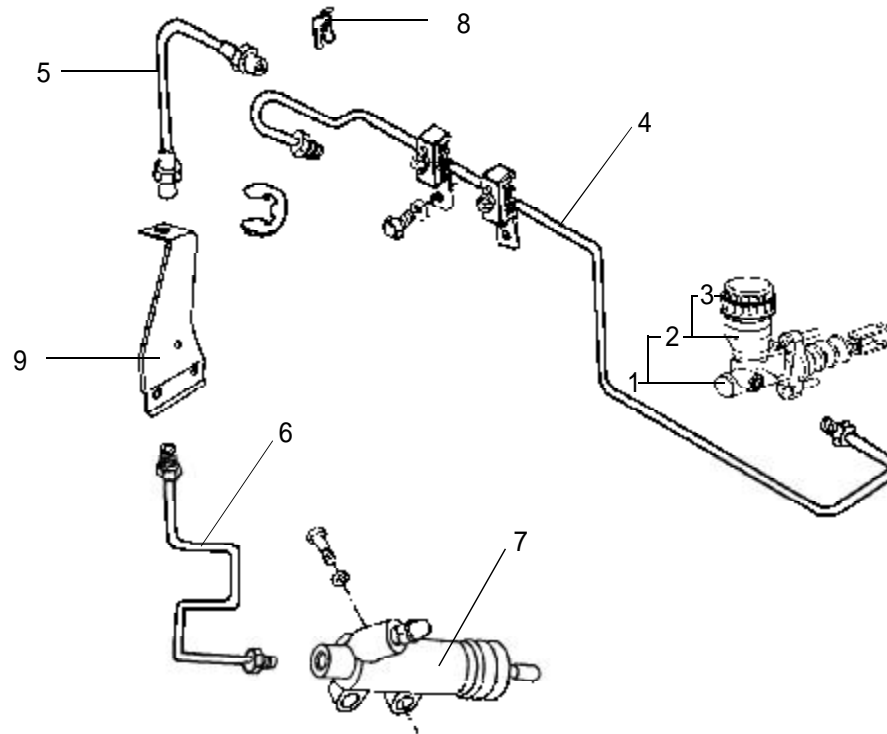


溢水罐总成 EXPANSION TANK ASSEMBLY

序号 S/N	零部件代号 PART CODE	零部件名称 PART NAME	用量 QTY	适用车型 VEHICLE APPLICABLE TO	备注 REMARK
1	1311210-D01	溢水罐总成 EXPANSION TANK ASSEMBLY	1	F00 F01 F02 F03 F04 F05	
2	1311211-D01	溢水罐弯管 EXPANSION TANK SYPHON	1		
3	1311201-D01	溢水罐胶管 OVERFLOW HOSE,RADIATOR	1		



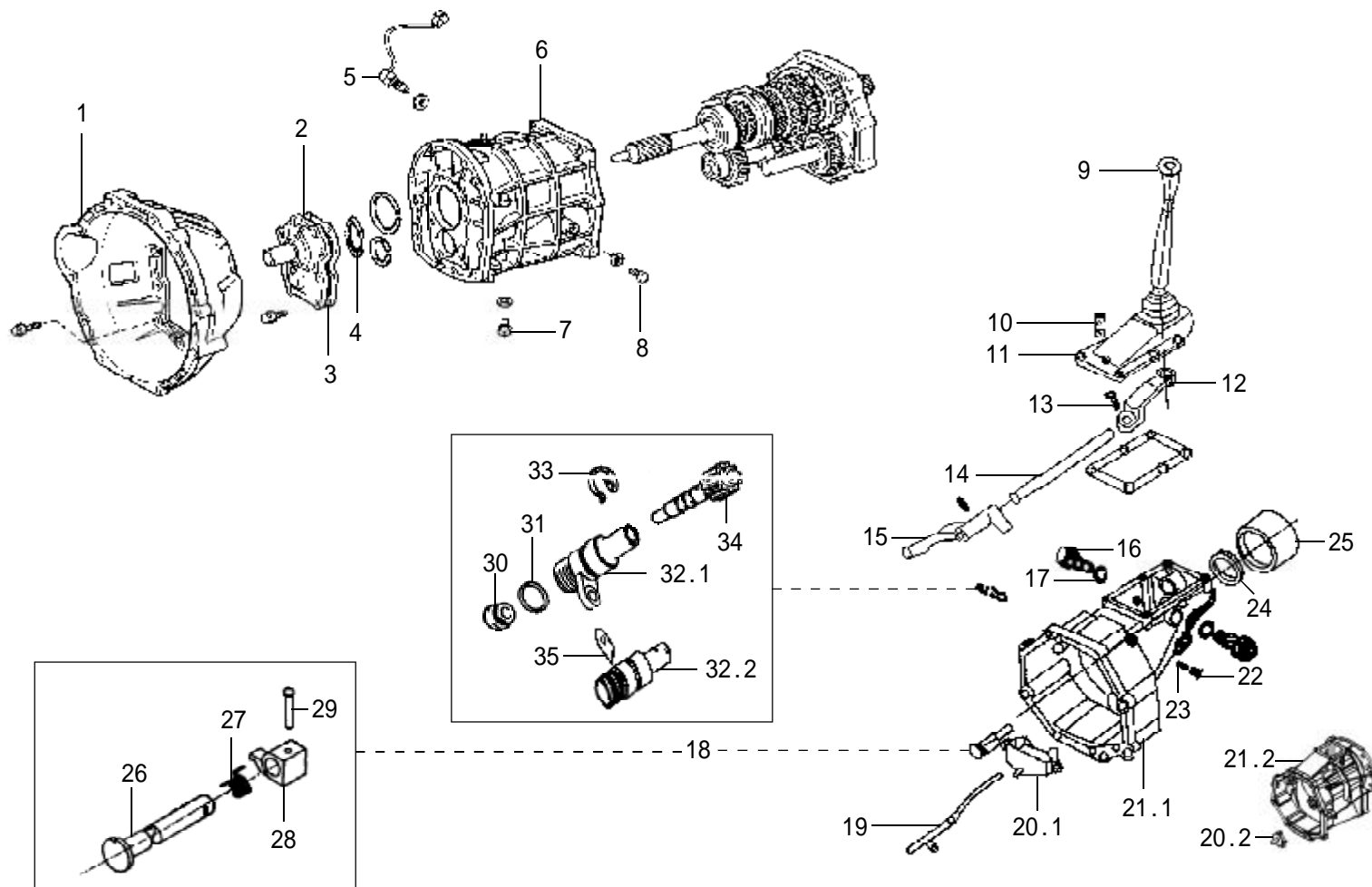
离合器操纵机构 CLUNTCH CONTROL MECHANISN



离合器操纵机构 CLUNTCH CONTROL MECHANISN

序号 S/N	零部件代号 PART CODE	零部件名称 PART NAME	用量 QTY	适用车型 VEHICLE APPLICABLE TO	备注 REMARK
1	1608100-D01	离合总泵 CLUTCH MASTER CYLINDER	1	F00 F01 F02 F03 F04 F05	
2	1608101-D01	离合总泵油杯 OIL CUP,CLUTCH MASTER CYLINDER	1		
3	1608102-D01	离合总泵油杯盖 OIL CUP LID,CLUTCH MASTER CYLINDER	1		
4	1607101-F00	离合总泵出油管 OUTLET HOSE,CLUTCH MASTER CYLINDER	1		
	1607101-F00-B1	离合总泵出油管 OUTLET HOSE,CLUTCH MASTER CYLINDER		F00 F01 F04 F05	
5	1607103-D01	离合软管 CLUTCH HOSE	1	F00 F01 F02 F03 F04 F05	
6	1607104-F00	离合器分泵油管 CLUTCH RELEASE CYLINDER OIL PIPE	1		
	1607104-F00-B1	离合器分泵油管 CLUTCH RELEASE CYLINDER OIL PIPE		F00 F01 F04 F05	
7	1602080-E00	离合器分泵 CLUTCH RELEASE CYLINDER	1	F00 F01 F02 F03 F04 F05	
8	3506105-D01	弹簧卡片 SPRING CLIP	1		
9	1607102-D01	离合软管支架 BRACKET,CLUTCH PEDAL	1		

变速器——唐齿 上齿 (一) TRANSMISSION-TAGC SSBAT(1)



变速器——唐齿 上齿（一） TRANSMISSION-TAGC SSBAT(1)

序号 S/N	零部件代号 PART CODE	零部件名称 PART NAME	用量 QTY	变速器厂家 TRANSMISSION FACTORY	备注 REMARK
	1701110-F00	变速器总成 5DYA4-3.1 TRANSMISSION INSTALLATION ASSEMBLY 5DYA4-3.1 (2WD, GASOLINE ENGINE)	1	唐齿 TAGC	两驱汽油车型
	1701110-F01	变速器总成 5DYM8 TRANSMISSION INSTALLATION ASSEMBLY 5DYM8 (ELECTRICALLY-CONTROLLED 4WD)		唐齿 TAGC	电控四驱
1	1601511	离合器壳体 CLUTCH HOUSING	1	唐齿 TAGC	
	1601511S	离合器壳体 CLUTCH HOUSING		上齿 SSBAT	
2	1701541	前盖 FRONT HOUSING	1	唐齿 TAGC	
	1701530-SY	前盖组件 FRONT HOUSING KIT(ELECTRICALLY-CONTROLLED 4WD)		唐齿 TAGC	电控四驱
	1701541S	前盖 FRONT HOUSING		上齿 SSBAT	
3	1701542	前盖衬垫 GASKET, FRONT HOUSING	1	唐齿 TAGC	
	1701542S	前盖衬垫 GASKET, FRONT HOUSING		上齿 SSBAT	
4	1701543	前盖油封总成 OIL SEAL ASSEMBLY, FRONT HOUSING	1	唐齿 TAGC	
	1701543S	前盖油封总成 OIL SEAL ASSEMBLY, FRONT HOUSING		上齿 SSBAT	
5	3729020	倒档开关总成 REVERSE SWITCH ASSEMBLY	1	唐齿 TAGC	
	3729020-SY	倒档开关总成 REVERSE SWITCH ASSEMBLY (ELECTRICALLY-CONTROLLED 4WD)		唐齿 TAGC	电控四驱
	3729020S	倒档开关总成 REVERSE SWITCH ASSEMBLY		上齿 SSBAT	
6	1701011	壳体 HOUSING	1	唐齿 TAGC	
	1701011S	壳体 HOUSING		上齿 SSBAT	
7	1701545	六角头磁性螺塞 MAGNETIC BOLT (OIL DRAIN PLUG)	1	唐齿 TAGC	放油塞
	1701545S	六角头磁性螺塞 MAGNETIC BOLT (OIL DRAIN PLUG)		上齿 SSBAT	放油塞
8	1701538	六角头螺塞 BOLT (FILLING PLUG)	1	唐齿 TAGC	加油塞
	1701538S	六角头螺塞 BOLT (FILLING PLUG)		上齿 SSBAT	加油塞

变速器 —— 唐齿 上齿（一） TRANSMISSION-TAGC SSBAT (1)

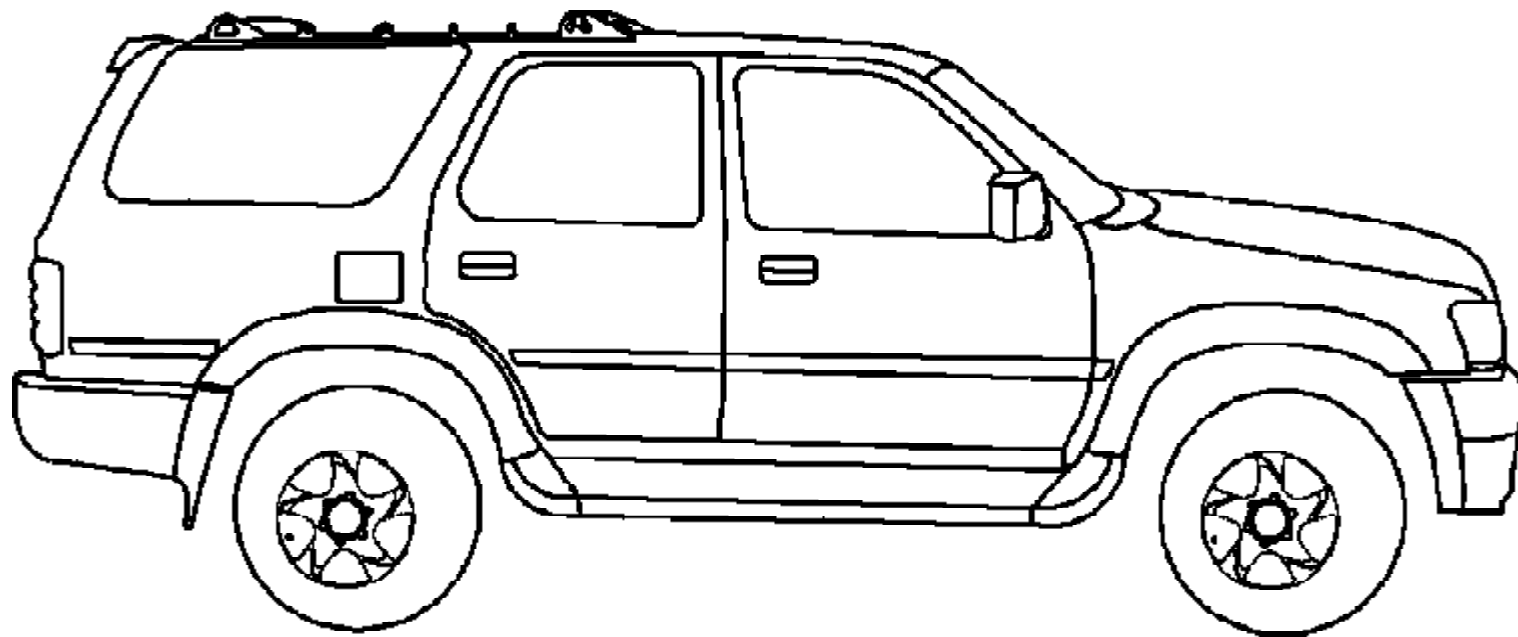
序号 S/N	零部件代号 PART CODE	零部件名称 PART NAME	用量 QTY	变速器厂家 TRANSMISSION FACTORY	备注 REMARK
9	1702532	换挡手球 SHIFT LEVER ALL	1	唐齿 TAGC	
	1702532S	换挡手球 SHIFT LEVER ALL		上齿 SSBAT	
10	1701546	通气塞 BREATHER PLUG	1	唐齿 TAGC	
	1701546-SY	通气塞 BREATHER PLUG (ELECTRICALLY-CONTROLLED 4WD)		唐齿 TAGC	电控四驱
	1701546S	通气塞 BREATHER PLUG		上齿 SSBAT	
11	1702509	操纵盖组件 CONTROL SHIFT ASSEMBLY (WITH RUBBER GASKET)	1	唐齿 TAGC	含橡胶垫
	1702512	操纵盖 CONTROL SHIFT		唐齿 TAGC	
	1702512-SY	操纵盖 CONTROL SHIFT (ELECTRICALLY-CONTROLLED 4WD)		唐齿 TAGC	电控四驱
	1702512S	操纵盖 CONTROL SHIFT		上齿 SSBAT	
12	1703522	换挡拨块 SHIFT FORK	1	唐齿 TAGC	
	1703522-SY	换挡拨块 SHIFT FORK (ELECTRICALLY-CONTROLLED 4WD)		唐齿 TAGC	电控四驱
	1703522S	换挡拨块 SHIFT FORK		上齿 SSBAT	
13	1703549	换挡拨块定位螺栓 SHIFT FORK LOCATING BOLT	1	唐齿 TAGC	
	1703549S	换挡拨块定位螺栓 SHIFT FORK LOCATING BOLT		上齿 SSBAT	
	1703549-SY	换挡拨块定位螺栓 SHIFT FORK LOCATING BOLT (ELECTRICALLY-CONTROLLED 4WD)		唐齿 TAGC	电控四驱
14	1703541	换挡轴 SHIFTING SHAFT	1	唐齿 TAGC	
	1703541-SY	换挡轴 SHIFTING SHAFT (ELECTRICALLY-CONTROLLED 4WD)		唐齿 TAGC	电控四驱
	1703541S	换挡轴 SHIFTING SHAFT		上齿 SSBAT	
15	1703521	换挡拨杆 SHIFTING FORK	1	唐齿 TAGC	
	1703521S	换挡拨杆 SHIFTING FORK		上齿 SSBAT	
16	1701540-SY	定位机构组件 LOCATE ASSEMBLY (ELECTRICALLY-CONTROLLED 4WD)	2	唐齿 TAGC	电控四驱

变速器 —— 唐齿 上齿（一） TRANSMISSION-TAGC SSBAT (1)

序号 S/N	零部件代号 PART CODE	零部件名称 PART NAME	用量 QTY	变速器厂家 TRANSMISSION FACTORY	备注 REMARK
16	1703545S	操纵系统定位销总成 CONTROL SYSTEM LOCATING PIN ASSEMBLY	2	上齿 SSBAT	
17	1701517	密封垫圈 SEAL GASKET	2	唐齿 TAGC	
	1701517S	密封垫圈 SEAL GASKET		上齿 SSBAT	
18	1701577	限位机构 SPACING	1	唐齿 TAGC	
19	1701515	导油槽 OIL DRAIN	1	唐齿 TAGC	
	1701515S	导油槽 OIL DRAIN		上齿 SSBAT	
20.1	1702511	贮油盒 OIL BOX	1	唐齿 TAGC	
	1702511S	贮油盒 OIL BOX		上齿 SSBAT	
20.2	1701516-SY	导油嘴 OIL S/NZZLE (ELECTRICALLY-CONTROLLED 4WD)	1	唐齿 TAGC	电控四驱
21.1	1701012	后壳体 REAR CASE	1	唐齿 TAGC	
	1701012S	后壳体 REAR CASE		上齿 SSBAT	
21.2	1701012-SY	后体组件 REAR BODY ASSEMBLY (ELECTRICALLY-CONTROLLED 4WD)	1	唐齿 TAGC	电控四驱
22	1703537	定位弹簧螺堵 LOCATING SPRING PLUG	1	唐齿 TAGC	
	1703537-SY	定位弹簧螺堵 LOCATING SPRING PLUG (ELECTRICALLY-CONTROLLED 4WD)		唐齿 TAGC	电控四驱
	1703537S	定位弹簧螺堵 LOCATING SPRING PLUG		上齿 SSBAT	
23	1703547	定位弹簧 LOCATING SPRING	1	唐齿 TAGC	
	1703547-SY	定位弹簧 LOCATING SPRING (ELECTRICALLY-CONTROLLED 4WD)		唐齿 TAGC	电控四驱
24	1701535-SY	后体油封总成 REAR BODY OIL SEAL ASSEMBLY (ELECTRICALLY-CONTROLLED 4WD)	1	唐齿 TAGC	电控四驱
	1701510S	后体油封总成 REAR BODY OIL SEAL ASSEMBLY		上齿 SSBAT	
25	1701534	后体防尘罩 REAR BODY DUST SHIELD (ELECTRICALLY-CONTROLLED 4WD)	1	唐齿 TAGC	电控四驱

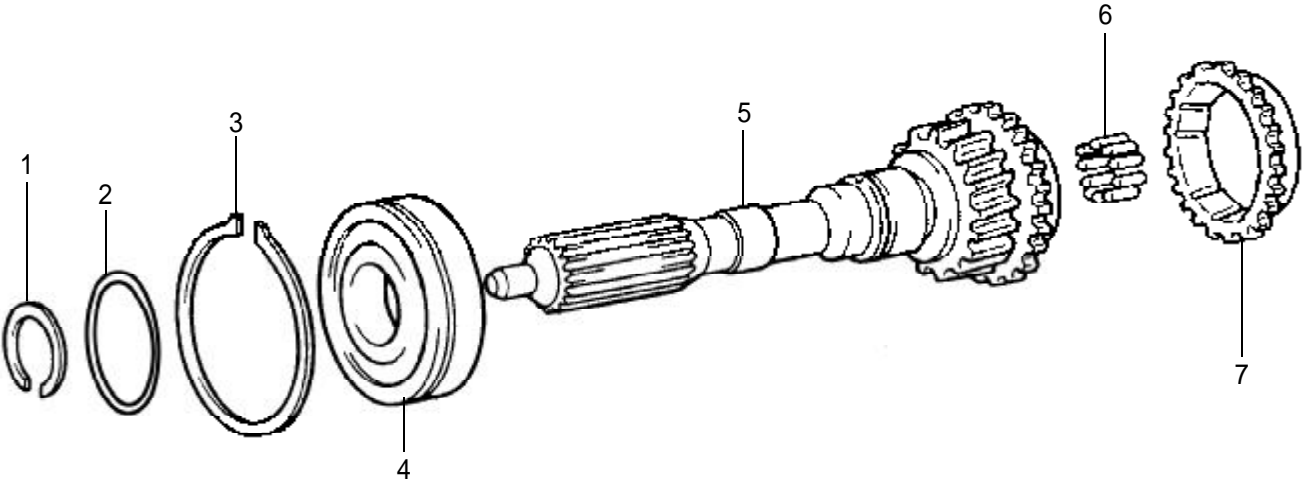
变速器 —— 唐齿 上齿（一） TRANSMISSION-TAGC SSBAT (1)

序号 S/N	零部件代号 PART CODE	零部件名称 PART NAME	用量 QTY	变速器厂家 TRANSMISSION FACTORY	备注 REMARK
25	1701534S	后体防尘罩 REAR BODY DUST SHIELD	1	上齿 SSBAT	
26	1701580	限位轴 SPACING SHAFT	1	唐齿 TAGC	
	1701580S	限位轴 SPACING SHAFT		上齿 SSBAT	
27	1701576	限位弹簧 SPACING SPRING	1	唐齿 TAGC	
	1701576S	限位弹簧 SPACING SPRING		上齿 SSBAT	
28	1701578	限位块 SPACING BLOCK	1	唐齿 TAGC	
	1701578S	限位块 SPACING BLOCK		上齿 SSBAT	
29	1701579	限位销 DWELL PIN	1	唐齿 TAGC	
30	3802511	S型油封 S TYPE OIL SEAL	1	唐齿 TAGC	
	3802511S	S型油封 S TYPE OIL SEAL		上齿 SSBAT	
31	1701511	O形圈 O-RING	1	唐齿 TAGC	
	1701511S	O形圈 O-RING		上齿 SSBAT	
32.1	3802515	里程表从动轮架 ODOMETER DRIVEN WHEEL CARRIER	1	唐齿 TAGC	
32.2	3802515S	里程表从动轮架 ODOMETER DRIVEN WHEEL CARRIER	1	上齿 SSBAT	
33	3802513	从动轮卡簧 DRIVEN WHEEL CIRCLIP	1	唐齿 TAGC	
	3802513S	从动轮卡簧 DRIVEN WHEEL CIRCLIP		上齿 SSBAT	
34	3802514-F	里程表从动齿轮 ODOMETER DRIVEN GEAR (17 TEETH)	1	唐齿 TAGC	17 齿
	3802514S-F	里程表从动齿轮 ODOMETER DRIVEN GEAR		上齿 SSBAT	
35	3802512S	从动轮架锁板 DRIVEN WHEEL CARRIER LOCKING PLATE	1	上齿 SSBAT	



变速器——唐齿 上齿 (二) TRANSMISSION-TAGC SSBAT (2)

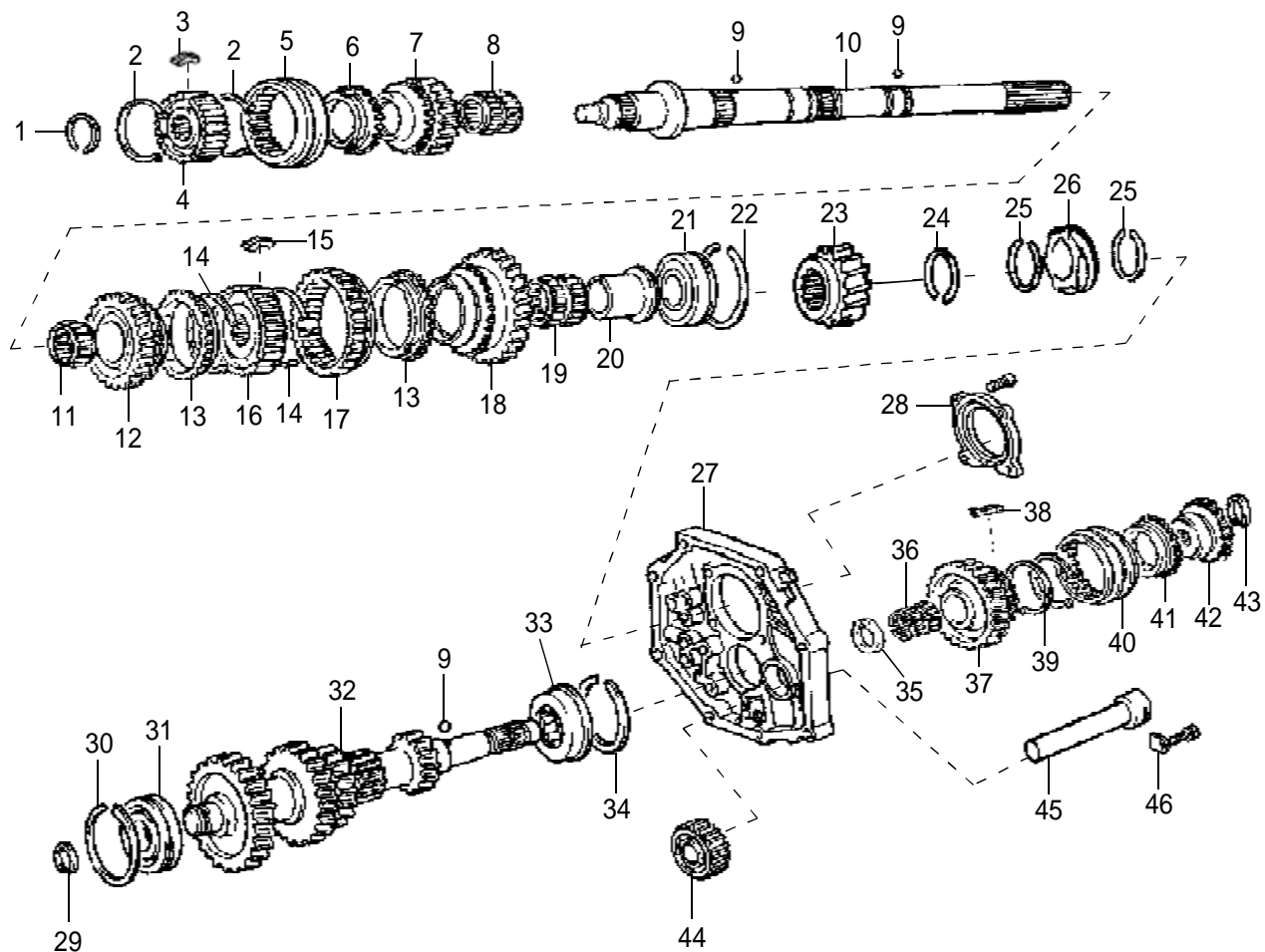
58



变速器 —— 唐齿 上齿 (二) TRANSMISSION-TAGC SSBAT (2)

序号 S/N	零部件代号 PART CODE	零部件名称 PART NAME	用量 QTY	变速器厂家 TRANSMISSION FACTORY	备注 REMARK
1	1701565	输入轴挡圈 INPUT SHAFT RETAINER	1	唐齿 TAGC	
	1701565S	输入轴挡圈 INPUT SHAFT RETAINER		上齿 SSBAT	
2	1701117S	输入轴后轴承调整垫圈 INPUT SHAFT' S BACK BEARING ADJUSTING WASHER	1	上齿 SSBAT	
3	1701567	输入轴止动环 INPUT SHAFT STOP RING	1	唐齿 TAGC	
4	1701568	输入轴轴承 INPUT BEARING	1	唐齿 TAGC	
	1701568S	输入轴轴承 INPUT BEARING		上齿 SSBAT	
5	1701569	输入轴组件 INPUT SHAFT ASSEMBLY	1	唐齿 TAGC	
	1701569-SY	输入轴组件 INPUT SHAFT ASSEMBLY (ELECTRICALLY-CONTROLLED 4WD)		唐齿 TAGC	电控四驱
	1701569S	输入轴组件 INPUT SHAFT ASSEMBLY (32 TEETH)		上齿 SSBAT	32 齿
	1701569SA1	输入轴组件 INPUT SHAFT ASSEMBLY (28 TEETH)		上齿 SSBAT	28 齿
6	1701566	输入轴滚针 INPUT SHAFT NEEDLE	1	唐齿 TAGC	
	1701566S	输入轴滚针 INPUT SHAFT NEEDLE		上齿 SSBAT	
7	1701557	三四五档同步器齿环 3RD 4TH 5TH SYNCHRONIZER RING	1	唐齿 TAGC	
	1701557S	三四五档同步器齿环 3RD 4TH 5TH SYNCHRONIZER RING		上齿 SSBAT	

变速器——唐齿 上齿 (三) TRANSMISSION-TAGC SSBAT (3)



变速器 —— 唐齿 上齿 (三) TRANSMISSION-TAGC SSBAT (3)

序号 S/N	零部件代号 PART CODE	零部件名称 PART NAME	用量 QTY	变速器厂家 TRANSMISSION FACTORY	备注 REMARK
1	1701553	三四档齿毂轴用挡圈 3RD 4TH HUB SHAFT RETAINER	1	唐齿 TAGC	
	1701553S	三四档齿毂轴用挡圈 3RD 4TH HUB SHAFT RETAINER		上齿 SSBAT	
2	1701558	三四五档同步器涨圈 3RD 4TH 5TH SYNCHRONIZER PISTON RING	2	唐齿 TAGC	
	1701558S	三四五档同步器涨圈 3RD 4TH 5TH SYNCHRONIZER PISTON RING		上齿 SSBAT	
3	1701556	三四档同步器滑块 3RD 4TH SYNCHRONIZER GLIDING BLOCK	3	唐齿 TAGC	
	1701556S	三四档同步器滑块 3RD 4TH SYNCHRONIZER GLIDING BLOCK		上齿 SSBAT	
4	1701554	三四档同步器齿毂 3RD 4TH SYNCHRONIZER HUB	1	唐齿 TAGC	
	1701554S	三四五档同步器齿毂 3RD 4TH 5TH SYNCHRONIZER TOOTH CASE		上齿 SSBAT	
5	1701555	三四档同步器啮合套 3RD 4TH SYNCHRONIZER GEARING	1	唐齿 TAGC	
	1701555S	三四五档同步器齿套 3RD 4TH 5TH SYNCHRONIZER TOOTH CASE		上齿 SSBAT	
6	1701557	三四五档同步器齿环 3RD 4TH 5TH SYNCHRONIZER RING	2	唐齿 TAGC	
	1701557S	三四五档同步器齿环 3RD 4TH 5TH SYNCHRONIZER RING		上齿 SSBAT	
7	1701552	三档齿轮组件 3RD GEAR ASSEMBLY	1	唐齿 TAGC	
	1701552-SY	三档齿轮组件 3RD GEAR ASSEMBLY (ELECTRICALLY-CONTROLLED 4WD)		唐齿 TAGC	电控四驱
	1701552S	三档齿轮组件 3RD GEAR ASSEMBLY (30 TEETH)		上齿 SSBAT	30 齿
	1701552SD	三档齿轮组件 3RD GEAR ASSEMBLY (27 TEETH)		上齿 SSBAT	27 齿
8	1701551	三档齿轮滚针轴承 3RD GEAR NEEDLE BEARING	1	唐齿 TAGC	
	1701551S	三档齿轮滚针轴承 3RD GEAR NEEDLE BEARING		上齿 SSBAT	
9	1703558	钢球 STEEL BALL (SMALL)	2	唐齿 TAGC	小
	1703558-SY	6.35 钢球 STEEL BALL (ELECTRICALLY-CONTROLLED 4WD)		唐齿 TAGC	电控四驱
	1703558S	钢球 STEEL BALL (SMALL)		上齿 SSBAT	小
10	1701561	输出轴 OUTPUT SHAFT	1	唐齿 TAGC	

变速器 —— 唐齿 上齿（三） TRANSMISSION-TAGC SSBAT (3)

序号 S/N	零部件代号 PART CODE	零部件名称 PART NAME	用量 QTY	适用车型 TRANSMISSION FACTORY	备注 REMARK
10	1701561-SY	输出轴 OUTPUT SHAFT (ELECTRICALLY-CONTROLLED 4WD)	1	唐齿 TAGC	电控四驱
	1701561S	输出轴 OUTPUT SHAFT		上齿 SSBAT	
11	1701531	二档齿轮滚针轴承 2ND GEAR NEEDLE BEARING	1	唐齿 TAGC	
	1701531S	二档齿轮滚针轴承 2ND GEAR NEEDLE BEARING		上齿 SSBAT	
12	1701532	二档齿轮组件 2ND GEAR ASSEMBLY	1	唐齿 TAGC	
	1701532-SY	二档齿轮组件 2ND GEAR ASSEMBLY(ELECTRICALLY-CONTROLLED 4WD)		唐齿 TAGC	电控四驱
	1701532S	二档齿轮组件 2ND GEAR ASSEMBLY (30 TOOTH)		上齿 SSBAT	30 齿
	1701532SD	二档齿轮组件 2ND GEAR ASSEMBLY (29 TOOTH)		上齿 SSBAT	29 齿
13	1701585	一二档同步器齿环 1ST 2ND SYNCHRONIZER RING	2	唐齿 TAGC	
	1701585S	一二档同步器齿环 1ST 2ND SYNCHRONIZER RING		上齿 SSBAT	
14	1701588	一二档同步器涨圈 1ST 2ND SYNCHRONIZER PISTON RING	2	唐齿 TAGC	
	1701588S	一二档同步器涨圈 1ST 2ND SYNCHRONIZER PISTON RING		上齿 SSBAT	
15	1701587	一二档同步器滑块 1ST 2ND SYNCHRONIZER GLIDING BLOCK	3	唐齿 TAGC	
	1701587S	一二档同步器滑块 1ST 2ND SYNCHRONIZER GLIDING BLOCK		上齿 SSBAT	
16	1701584	一二档同步器齿毂 1ST 2ND SYNCHRONIZER HUB	1	唐齿 TAGC	
	1701584S	一二档同步器齿毂 1ST 2ND SYNCHRONIZER HUB		上齿 SSBAT	
17	1701586	一二档同步器齿套 1ST 2ND SYNCHRONIZER TOOTH CASE	1	唐齿 TAGC	
	1701586S	一二档同步器齿套 1ST 2ND SYNCHRONIZER TOOTH CASE		上齿 SSBAT	
18	1701582	一档齿轮组件 1ST GEARING ASSEMBLY	1	唐齿 TAGC	
	1701582-SY	一档齿轮组件 1ST GEARING ASSEMBLY (ELECTRICALLY-CONTROLLED 4WD)		唐齿 TAGC	电控四驱
	1701582S	一档齿轮组件 1ST GEARING ASSEMBLY		上齿 SSBAT	

变速器 —— 唐齿 上齿 (三) TRANSMISSION-TAGC SSBAT (3)

序号 S/N	零部件代号 PART CODE	零部件名称 PART NAME	用量 QTY	适用车型 TRANSMISSION FACTORY	备注 REMARK
19	1701583	一档齿轮滚针轴承 1ST GEAR NEEDLE BEARING	2	唐齿 TAGC	
	1701583S	一档齿轮滚针轴承 1ST GEAR NEEDLE BEARING		上齿 SSBAT	
20	1701581	一档齿轮轴套 RASE ,1ST GEAR BEARING	1	唐齿 TAGC	
	1701581S	一档齿轮轴套 RASE ,1ST GEAR BEARING		上齿 SSBAT	
21	1701562	输出轴后轴承 OUTPUT SHAFT REAR BEARING	1	唐齿 TAGC	
	1701562S	输出轴后轴承 OUTPUT SHAFT REAR BEARING		上齿 SSBAT	
22	1701564	输出轴后轴承止动环 OUTPUT SHAFT REAR BEARING STOP RING	1	唐齿 TAGC	
23	1701571	五档齿轮 5TH GEAR	1	唐齿 TAGC	
	1701571S	五档齿轮 5TH GEAR (28 TEETH)		上齿 SSBAT	28 齿
	1701572SD	五档齿轮 5TH GEAR (24 TEETH)		上齿 SSBAT	24 齿
24	1701611	五档齿轮轴用挡圈 5TH GEAR RETAINER	1	唐齿 TAGC	
	1701611S	五档齿轮轴用挡圈 5TH GEAR RETAINER		上齿 SSBAT	
25	3802517	里程表主动轮挡圈 ODOMETER DRIVE WHEEL RETAINER	2	唐齿 TAGC	
	3802517S	里程表主动轮挡圈 ODOMETER DRIVE WHEEL RETAINER		上齿 SSBAT	
26	3802516	里程表主动齿轮 ODOMETER DRIVE GEAR	1	唐齿 TAGC	
	3802516S	里程表主动齿轮 ODOMETER DRIVE GEAR		上齿 SSBAT	
27	1701156	中联板 CENTER COUPLING	1	唐齿 TAGC	
	1701156S	中联板 CENTER COUPLING		上齿 SSBAT	
28	1701563	输出轴后轴承挡板 OUTPUT SHAFT BACK BEARING BARRIER	1	唐齿 TAGC	
	1701563S	输出轴后轴承挡板 OUTPUT SHAFT BACK BEARING BARRIER		上齿 SSBAT	
29	1701596	中间轴前轴用挡圈 CENTER SHAFT FRONT BEARING RETAINER	1	唐齿 TAGC	
	1701596S	中间轴前轴用挡圈 CENTER SHAFT FRONT BEARING RETAINER		上齿 SSBAT	

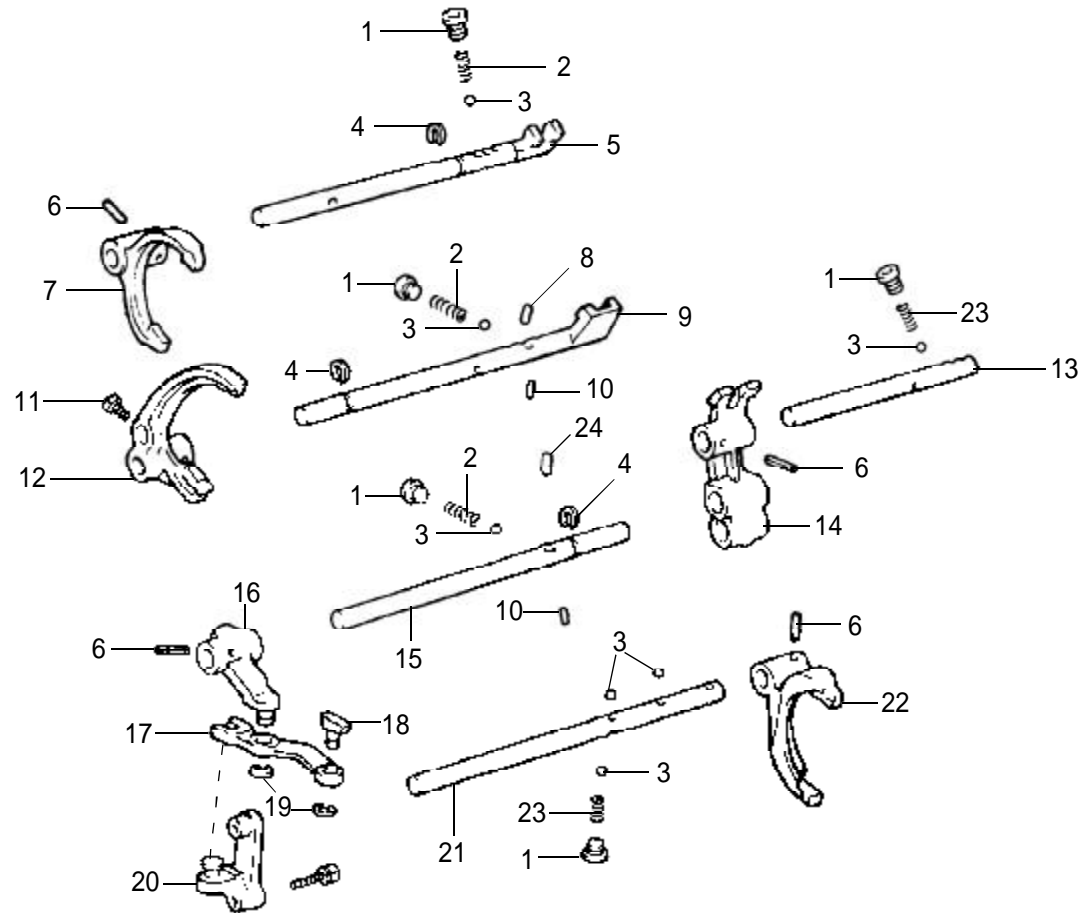
变速器 —— 唐齿 上齿（三） TRANSMISSION-TAGC SSBAT (3)

序号 S/N	零部件代号 PART CODE	零部件名称 PART NAME	用量 QTY	适用车型 TRANSMISSION FACTORY	备注 REMARK
30	1701597	中间轴前轴承止动环 CENTER SHAFT FRONT BEARING STOP RING	1	唐齿 TAGC	
31	1701595	中间轴前轴承 CENTER SHAFT FRONT BEARING	1	唐齿 TAGC	
	1701595S	中间轴前轴承 CENTER SHAFT FRONT BEARING		上齿 SSBAT	
32	1701594	中间轴联齿 CENTER SHAFT COUPLING GEAR	1	唐齿 TAGC	
	1701594-SY	中间轴联齿 CENTER SHAFT COUPLING GEAR (ELECTRICALLY-CONTROLLED 4WD)		唐齿 TAGC	电控四驱
	1701594S	中间轴联齿 CENTER SHAFT COUPLING GEAR (CONSTANT MESH 40 TEETH)		上齿 SSBAT	常啮合 40 齿
	1701594SD	中间轴联齿 CENTER SHAFT COUPLING GEAR (CONSTANT MESH 44 TEETH)		上齿 SSBAT	常啮合 44 齿
33	1701591	中间轴后轴承 CENTER SHAFT BACK BEARING	1	唐齿 TAGC	
	1701591S	中间轴后轴承 CENTER SHAFT BACK BEARING		上齿 SSBAT	
34	1701592	中间轴后轴承止动环 CENTER SHAFT BACK BEARING STOP RING	1	唐齿 TAGC	
35	1701612	五档齿轮止推垫圈 5TH GEAR THRUST WASHER	1	唐齿 TAGC	
	1701612S	五档齿轮止推垫圈 5TH GEAR THRUST WASHER		上齿 SSBAT	
36	1701599	中五档滚针轴承 CENTER 5TH NEEDLE BEARING	1	唐齿 TAGC	
	1701599S	中五档滚针轴承 CENTER 5TH NEEDLE BEARING		上齿 SSBAT	
37	1701598	中五档齿轮合件 5TH GEAR ASSEMBLY	1	唐齿 TAGC	
	1701598-SY	中五档齿轮合件 5TH GEAR ASSEMBLY (ELECTRICALLY-CONTROLLED 4WD)		唐齿 TAGC	电控四驱
	1701598S	中五档齿轮合件 5TH GEAR ASSEMBLY (43 TEETH)		上齿 SSBAT	43 齿
	1701598SD	中五档齿轮合件 5TH GEAR ASSEMBLY (47 TEETH)		上齿 SSBAT	47 齿
38	1701574	五档同步器滑块 5TH SYNCHRONIZER GLIDING BLOCK		唐齿 TAGC	

变速器 —— 唐齿 上齿 (三) TRANSMISSION-TAGC SSBAT (3))

序号 S/N	零部件代号 PART CODE	零部件名称 PART NAME	用量 QTY	变速器厂家 TRANSMISSION FACTORY	备注 REMARK
38	1701574S	五档同步器滑块 5TH SYNCHRONIZER GLIDING BLOCK	3	上齿 SSBAT	
39	1701558	三四五档同步器涨圈 3RD 4TH 5TH SYNCHRONIZER PISTON RING	2	唐齿 TAGC	
	1701558S	三四五档同步器涨圈 3RD 4TH 5TH SYNCHRONIZER PISTON RING		上齿 SSBAT	
40	1701573	五档同步器啮合套 5TH SYNCHRONIZER TOOTH CASE	1	唐齿 TAGC	
	1701555S	三四五档同步器啮合套 5TH SYNCHRONIZER TOOTH CASE 3RD 4TH 5TH SYNCHRONIZER TOOTH CASE		上齿 SSBAT	
41	1701557	三四五档同步器齿环 3RD 4TH 5TH SYNCHRONIZER RING	1	唐齿 TAGC	
	1701557S	三四五档同步器齿环 3RD 4TH 5TH SYNCHRONIZER RING		上齿 SSBAT	
42	1701572	五档联接齿轮 5TH CONNECTING GEAR	1	唐齿 TAGC	
	1701572S	五档联接齿轮 5TH CONNECTING GEAR		上齿 SSBAT	
43	1701614	中间轴后轴用挡圈 CENTER SHAFT REAR BEARING RETAINER	1	唐齿 TAGC	
	1701614S	中间轴后轴用挡圈 CENTER SHAFT REAR BEARING RETAINER		上齿 SSBAT	
44	1701523	倒档惰轮组件 REVERSE IDLE GEAR ASSEMBLY	1	唐齿 TAGC	
	1701523S	倒档惰轮组件 REVERSE IDLE GEAR ASSEMBLY		上齿 SSBAT	
45	1701521	倒档惰轮轴 REVERSE IDLE GEAR SHAFT	1	唐齿 TAGC	
	1701521S	倒档惰轮轴 REVERSE IDLE GEAR SHAFT		上齿 SSBAT	
46	1701522	倒档惰轮轴压板 REVERSE IDLE GEAR SHAFT CLAMP	1	唐齿 TAGC	
	1701522S	倒档惰轮轴压板 REVERSE IDLE GEAR SHAFT CLAMP		上齿 SSBAT	

变速器——唐齿 上齿（四） TRANSMISSION-TAGC SSBAT (4)



变速器 —— 唐齿 上齿（四） TRANSMISSION-TAGC SSBAT (4)

序号 S/N	零部件代号 PART CODE	零部件名称 PART NAME	用量 QTY	变速器厂家 TRANSMISSION FACTORY	备注 REMARK
1	1703537	定位弹簧螺堵 LOCATING SPRING PLUG	5	唐齿 TAGC	
	1703537-SY	定位弹簧螺堵 LOCATING SPRING PLUG (ELECTRICALLY-CONTROLLED 4WD)		唐齿 TAGC	电控四驱
	1703537S	定位弹簧螺堵 LOCATING SPRING PLUG	4	上齿 SSBAT	
2	1703511	1234 档叉轴定位弹簧 1 ST 2 ND 3 RD 4 TH LOCATING SPRING	3	唐齿 TAGC	
	1703511S	1234 档叉轴定位弹簧 1 ST 2 ND 3 RD 4 TH LOCATING SPRING		上齿 SSBAT	
3	1703518	钢球 STEEL BALL (BIG)	7	唐齿 TAGC	大
	1703518-SY	9.525 钢球 STEEL BALL (ELECTRICALLY-CONTROLLED 4WD)		唐齿 TAGC	电控四驱
	1703518S	钢球 STEEL BALL (BIG)	6	上齿 SSBAT	大
4	1703543	夹紧挡圈 CLAMP RETAINER	3	唐齿 TAGC	
	1703543S	夹紧挡圈 CLAMP RETAINER		上齿 SSBAT	
5	1703526	三四档换挡叉轴 3RD 4TH SHIFTING FORK	1	唐齿 TAGC	
	1703526S	三四档换挡叉轴 3RD 4TH SHIFTING FORK		上齿 SSBAT	
6	1702526	换挡叉锁销合件 SHIFTING FORK PIN ASSEMBLY	4	唐齿 TAGC	
	1702526S	换挡叉锁销合件 SHIFTING FORK PIN ASSEMBLY		上齿 SSBAT	
7	1703544	三四档换挡拨叉 3RD 4TH SHIFTING FORK	1	唐齿 TAGC	
	1703544S	三四档换挡拨叉 3RD 4TH SHIFTING FORK		上齿 SSBAT	
8	1703517	短互锁销 SHORT PIN	1	唐齿 TAGC	
	1703517S	短互锁销 SHORT PIN		上齿 SSBAT	
9	1703564	一二档换挡叉轴 1ST 2ND SHIFTING FORK	1	唐齿 TAGC	
9	1703564S	一二档换挡叉轴 1ST 2ND SHIFTING FORK	1	上齿 SSBAT	
10	1703519	互锁导柱 INTERLOCK GUIDE PIN	2	唐齿 TAGC	

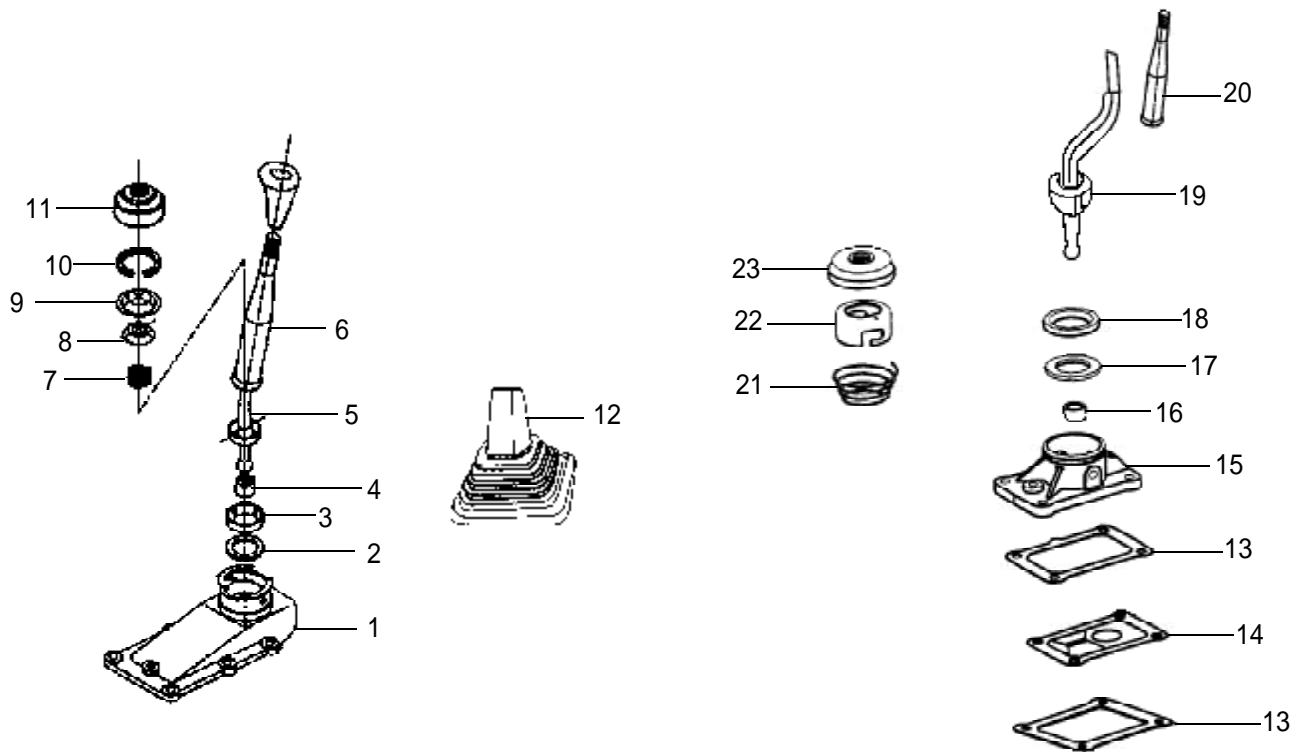
变速器 —— 唐齿 上齿（四） TRANSMISSION-TAGC SSBAT (4)

序号 S/N	零部件代号 PART CODE	零部件名称 PART NAME	用量 QTY	变速器厂家 TRANSMISSION FACTORY	备注 REMARK
10	1703519S	互锁导柱 INTERLOCK GUIDE PIN	2	上齿 SSBAT	
11	1703561	一二档拨叉定位螺钉 1ST 2ND SHIFT FORK LOCATING BOLT	1	唐齿 TAGC	
	1703561S	一二档拨叉定位螺钉 1ST 2ND SHIFT FORK LOCATING BOLT		上齿 SSBAT	
12	1703562	一二档换挡拨叉 1ST 2ND SHIFTING FORK	1	唐齿 TAGC	
	1703562S	一二档换挡拨叉 1ST 2ND SHIFTING FORK		上齿 SSBAT	
13	1703530	五倒档换挡叉轴 5TH REVERSE SHIFTING FORK	1	唐齿 TAGC	
	1703530S	五倒档换挡叉轴 5TH REVERSE SHIFTING FORK		上齿 SSBAT	
14	1703531	五倒档换挡导块 5TH REVERSE SHIFTING LEAD BLOCK	1	唐齿 TAGC	
	1703531S	五倒档换挡导块 5TH REVERSE SHIFTING LEAD BLOCK		上齿 SSBAT	
15	1703534	倒档换挡叉轴 REVERSE SHIFTING FORK	1	唐齿 TAGC	
	1703534S	倒档换挡叉轴 REVERSE SHIFTING FORK		上齿 SSBAT	
16	1703512	倒档拨杆 REVERSE DRIVER	1	唐齿 TAGC	
	1703512S	倒档拨杆 REVERSE DRIVER		上齿 SSBAT	
17	1703514	倒档摇臂 REVERSE ARM	1	唐齿 TAGC	
	1703514S	倒档摇臂 REVERSE ARM		上齿 SSBAT	
18	1703513	倒档换挡拨块 SHIFT FORK	1	唐齿 TAGC	
	1703513S	倒档换挡拨块 SHIFT FORK		上齿 SSBAT	
19	1701539	开口挡圈 "E" RING	2	唐齿 TAGC	
	1701539S	开口挡圈 "E" RING		上齿 SSBAT	
20	1703533	倒档摇臂支架 REVERSE ARM CARRIER	1	唐齿 TAGC	
	1703533S	倒档摇臂支架 REVERSE ARM CARRIER		上齿 SSBAT	
21	1703529	五档换挡叉轴 5TH SHIFTING FORK	1	唐齿 TAGC	

变速器 —— 唐齿 上齿（四） TRANSMISSION-TAGC SSBAT (4)

序号 S/N	零部件代号 PART CODE	零部件名称 PART NAME	用量 QTY	变速器厂家 TRANSMISSION FACTORY	备注 REMARK
21	1703529S	五档换挡叉轴 5TH SHIFTING FORK	1	上齿 SSBAT	
22	1703528	五档换挡拨叉 5TH GEAR SHIFTING FORK	1	唐齿 TAGC	
	1703528S	五档换挡拨叉 5TH GEAR SHIFTING FORK		上齿 SSBAT	
23	1703536	五档叉轴定位弹簧 5TH FORK LOCATING SPRING	2	唐齿 TAGC	
	1703536S	五档叉轴定位弹簧 5TH FORK LOCATING SPRING		上齿 SSBAT	
24	1703520	互锁销 INTERLOCK PIN	1	唐齿 TAGC	
	1703520S	互锁销 INTERLOCK PIN		上齿 SSBAT	

变速器——唐齿 上齿（五） TRANSMISSION-TAGC SSBAT (5)

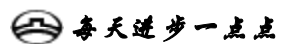


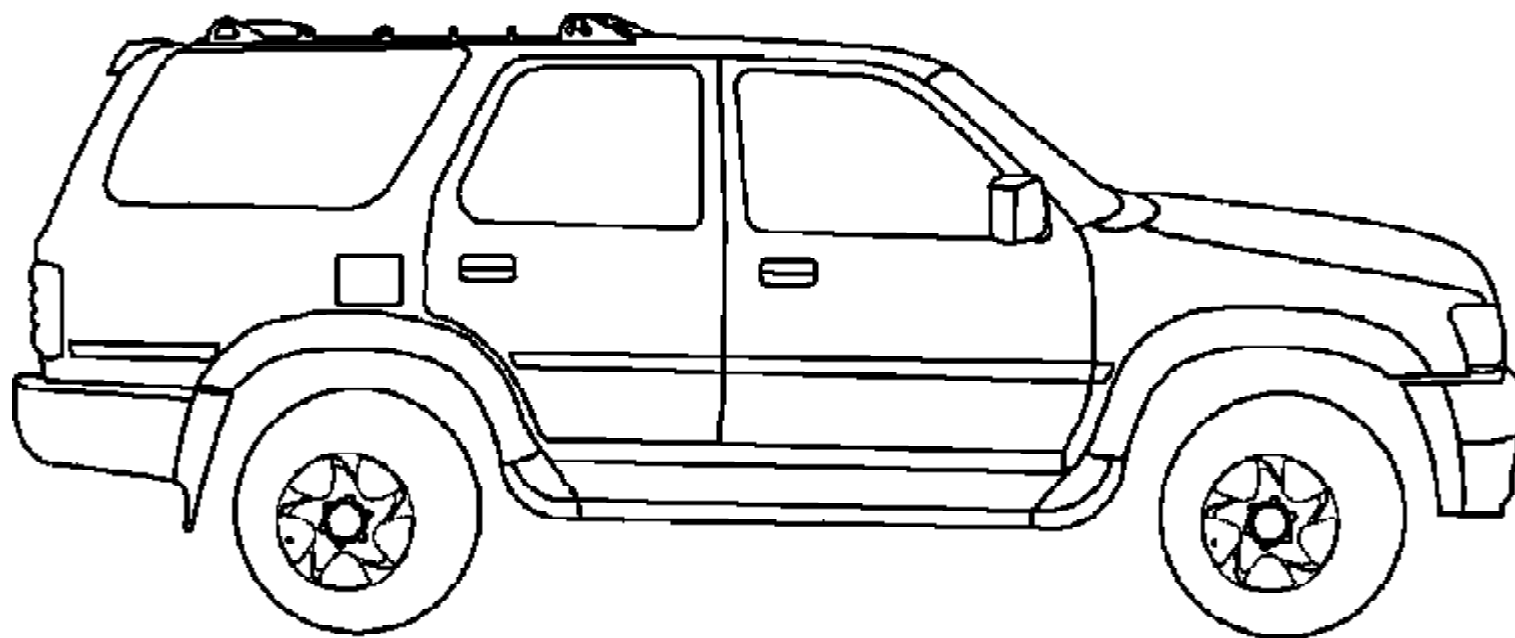
变速器 —— 唐齿 上齿（五） TRANSMISSION-TAGC SSBAT (5)

序号 S/N	零部件代号 PART CODE	零部件名称 PART NAME	用量 QTY	变速器厂家 TRANSMISSION FACTORY	备注 REMARK
1	1702512	操纵盖 CONTROL SHIFT	1	唐齿 TAGC	
	1702512S	操纵盖 CONTROL SHIFT		上齿 SSBAT	
2	1701625	橡胶平垫 RUBBER FLAT GASKET	1	唐齿 TAGC	
3	1701631	橡胶垫 RUBBER GASKET	1	唐齿 TAGC	
	1701631S	橡胶垫圈 RUBBER RING		上齿 SSBAT	
4	1701624	塑料隔套 PLASTIC SPACER	1	唐齿 TAGC	
	1701624S	塑料隔套 PLASTIC SPACER		上齿 SSBAT	
5	1703523	换档杆 GEAR SHIFT LEVER	1	唐齿 TAGC	
	1703523S	换档杆 GEAR SHIFT LEVER		上齿 SSBAT	
6	1703538	换档接杆组件 GEAR SHIFT LEVER AND EXTENSION BAR ASSEMBLY	1	唐齿 TAGC	
	1703538S	换档接杆组件 GEAR SHIFT LEVER AND EXTENSION BAR ASSEMBLY		上齿 SSBAT	
7	1702523	换档杆弹簧 GEAR SHIFT LEVER SPRING	1	唐齿 TAGC	
	1702523S	换档杆弹簧 GEAR SHIFT LEVER SPRING		上齿 SSBAT	
8	1702524	换档杆弹簧座 GEAR SHIFT LEVER SPRING SEAT	1	唐齿 TAGC	
	1702524S	换档杆弹簧座 GEAR SHIFT LEVER SPRING SEAT		上齿 SSBAT	
9	1702525	换档杆盖 GEAR SHIFT LEVER LID	1	唐齿 TAGC	
	1702525S	换档杆盖 GEAR SHIFT LEVER LID		上齿 SSBAT	
10	1702527	卡环 RETAINER RING	1	唐齿 TAGC	
	1702527S	卡环 RETAINER RING		上齿 SSBAT	
11	1702595	变速杆防尘胶套 GEAR LEVER DUST PROOF RUBBER SHIELD (SMALL)	1	唐齿 TAGC	小
	1702595S	变速杆防尘胶套 GEAR LEVER DUST PROOF RUBBER SHIELD (SMALL)		上齿 SSBAT	小
12	5109013-D01	换档杆防尘罩 GEAR SHIFT LEVER DUST SHIELD (TOWER SHEILD)	1	唐齿 TAGC	塔套

变速器 —— 唐齿 上齿（五） TRANSMISSION-TAGC SSBAT (5)

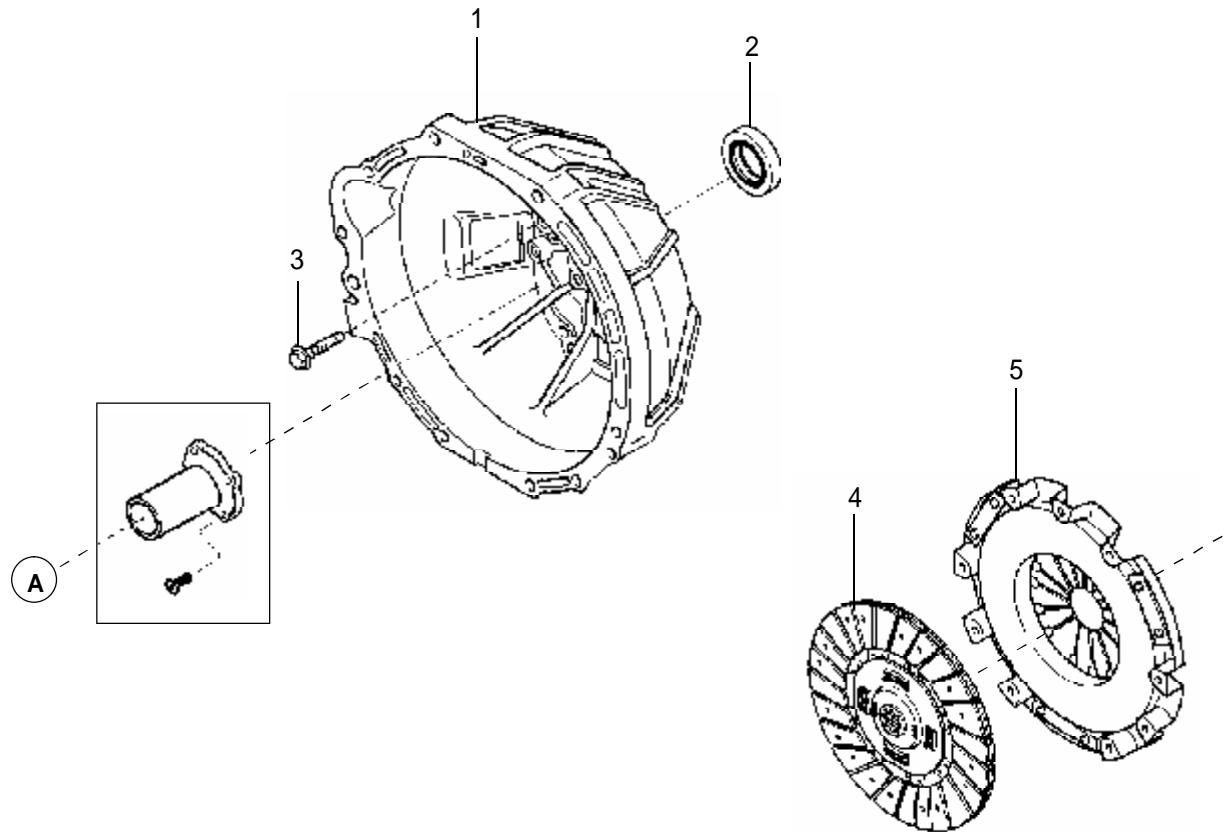
序号 S/N	零部件代号 PART CODE	零部件名称 PART NAME	用量 QTY	变速器厂家 TRANSMISSION FACTORY	备注 REMARK	
13	1702534-SY	操纵盖衬垫 CONTROL SHIFT BACKING	2	唐齿 TAGC	电控四驱 ELECTRICALLY- CONTROLLED 4WD	
14	1702535-SY	操纵盖导流板 CONTROL SHIFT FLOW DEFLECTOR	1	唐齿 TAGC		
15	1702512-SY	操纵盖 CONTROL SHIFT	1	唐齿 TAGC		
16	1701624-SY	塑料隔套 PLASTIC SPACER	1	唐齿 TAGC		
17	1701625-SY	橡胶平垫 RUBBER FLAT GASKET	1	唐齿 TAGC		
18	1701631-SY	球面垫 SPHERIC WASHER	1	唐齿 TAGC		
19	1703523-SY	换挡杆 GEAR SHIFT LEVER	1	唐齿 TAGC		
20	1703538-SY	换挡接杆组件 GEAR SHIFT LEVER AND EXTENSION BAR ASSEMBLY	1	唐齿 TAGC		
21	1702523-SY	换挡杆弹簧 GEAR SHIFT LEVER SPRING	1	唐齿 TAGC		
22	1702524-SY	换挡杆弹簧座 GEAR SHIFT LEVER SPRING SEAT	1	唐齿 TAGC		
23	1702595-SY	防尘罩 DUST SHIELD	1	唐齿 TAGC		






变速器——韩齿（一） TRANSMISSION-HANSHIN (1)

74



 每天进步一点点

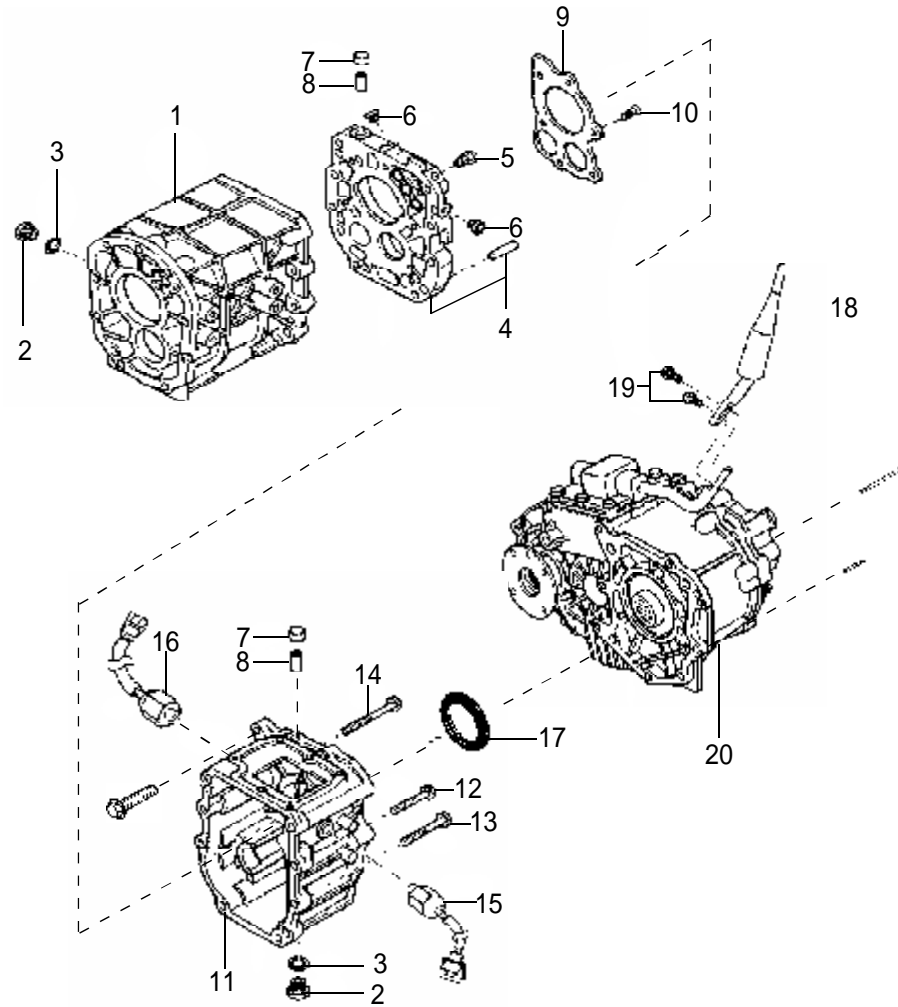
变速器 —— 韩齿（一） TRANSMISSION-HANSHIN (1)

序号 S/N	零部件代号(OEM)* PART CODE	零部件名称 PART NAME	用量 QTY	变速器厂家 TRANSMISSION FACTORY	备注 REMARK
1	GCH02162100	离合器壳总成 CLUTCH HOUSING ASSEMBLY	1	韩齿 HANSHIN	
2	CH0116103	前盖油封 FRONT HOUSIGN OIL SEAL	1	韩齿 HANSHIN	
3	G997961250	离合器壳体螺栓 CLUTCH HOUSING BOLT	9	韩齿 HANSHIN	
4	GCH0116030	离合器片 CLUTCH DISC	1	韩齿 HANSHIN	
5	GCH0116010	离合器压盘 CLUTCH COVER	1	韩齿 HANSHIN	

* OEM 为原配套厂零部件代号，下同。 OEM is the code name of the components from the original equipment manufacturer AND the following are the same.



变速器——韩齿（二） TRANSMISSION-HANSHIN (2)

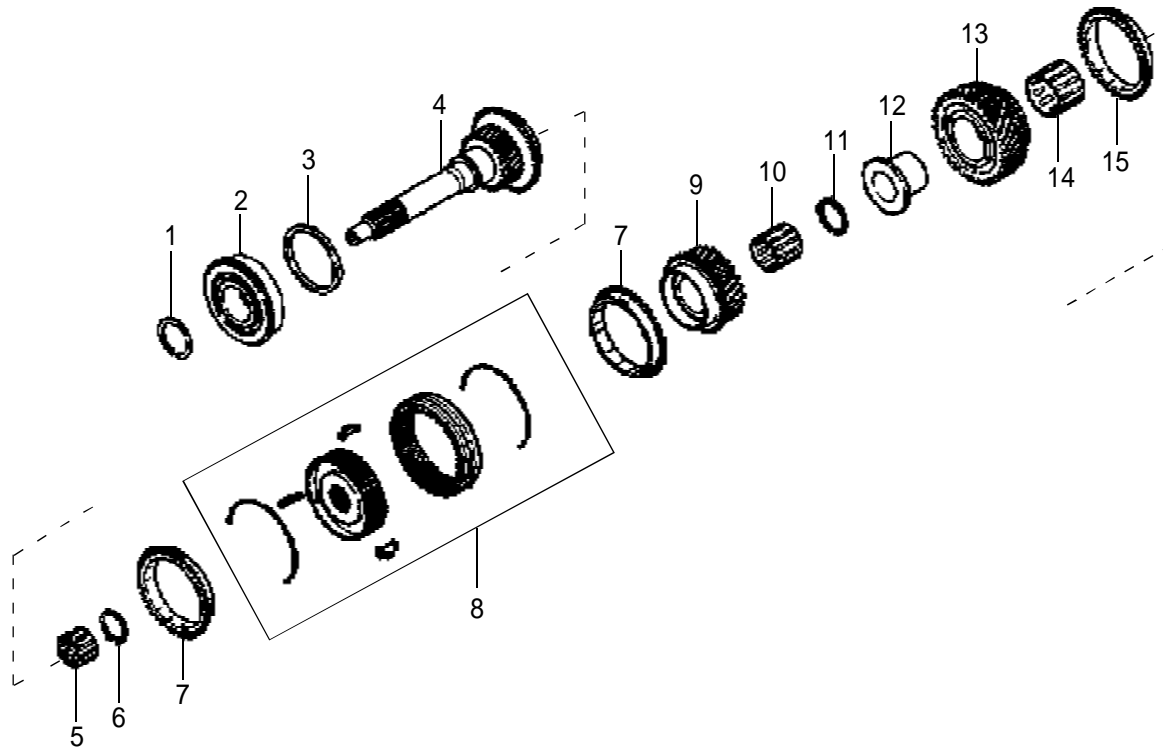



变速器 —— 韩齿（二） TRANSMISSION-HANSHIN (2)

序号 S/N	零部件代号(OEM) PART CODE	零部件名称 PART NAME	用量 QTY	变速器厂家 TRANSMISSION FACTORY	备注 REMARK
	1701100-F01-B1	变速器总成 TRANSMISSION ASSEMBLY	1	韩齿 HANSHIN	
1	GCH02171010	变速器壳体 TRANSMISSION CASE	1	韩齿 HANSHIN	
2	GK71E171220	磁性螺塞 MAGNETIC PLUG (OIL FILLER PLUG OIL DRAIN PLUG)	2	韩齿 HANSHIN	加油、放油螺塞
3	995641800	垫片 BACKING	2	韩齿 HANSHIN	
4	GPD96171200	轴承套管总成 BEARING CASING ASSEMBLY (ON CENTER COUPLING)	1	韩齿 HANSHIN	中联板
5	GK71E17124B	塞子 PLUG (ON LONG AND CENTER COUPLING)	1	韩齿 HANSHIN	长,中联板上
6	GK71E17125A	塞子 PLUG (ON SHORT AND CENTER COUPLING)	2	韩齿 HANSHIN	短,中联板上
7	GK011175310	通气盖 BREATHER CAP	2	韩齿 HANSHIN	
8	GK011175320	通气管 AIR PIPE	2	韩齿 HANSHIN	
9	GPD96173710	轴承盖 BEARING CAP	1	韩齿 HANSHIN	
10	G907812825	螺栓组件 BOLT ASSEMBLY (BEARING CAP 上 ON BEARING CAP)	6	韩齿 HANSHIN	轴承盖上
11	GCH02173300	后盖总成 REAR COVER ASSEMBLY	1	韩齿 HANSHIN	
12	G997841060	螺栓 1 BOLT 1 (ON REAR BODY)	1	韩齿 HANSHIN	后壳体上
13	G997841070	螺栓 2 BOLT 2 (ON REAR BODY)	5	韩齿 HANSHIN	后壳体上
14	G997841085	螺栓 3 BOLT 3 (ON REAR BODY)	1	韩齿 HANSHIN	后壳体上
15	G938604Y100	倒档开关 REVERSE SWITCH	1	韩齿 HANSHIN	
16	G938604Y200	四轮驱动指示灯开关 INDICATOR LAMP SWITCH OF FOUR WHEEL DRIVE	1	韩齿 HANSHIN	
17	K67B17357	变速器输出轴油封 REANSMISSION OUTPUT SHAFT OIL SEAL	1	韩齿 HANSHIN	
18	GCH02179800	分动器换挡杆总成 TRANSFER CASE GEAR SHIFT LEVER ASSEMBLY	1	韩齿 HANSHIN	
	GCH02179800B	分动器换挡杆总成 TRANSFER CASE GEAR SHIFT LEVER ASSEMBLY (GENERATION)		韩齿 HANSHIN	改进型
19	GCH01174960	密配合螺栓 REAMER BOLT (GEAR LEVER ANCHOR BOLT)	2	韩齿 HANSHIN	变速杆固定螺栓
20	1802100-F01-B1	分动器总成 TRANSFER CASE ASSEMBLY	1	韩齿 HANSHIN	

变速器——韩齿（三） TRANSMISSION-HANSHIN (3)

78

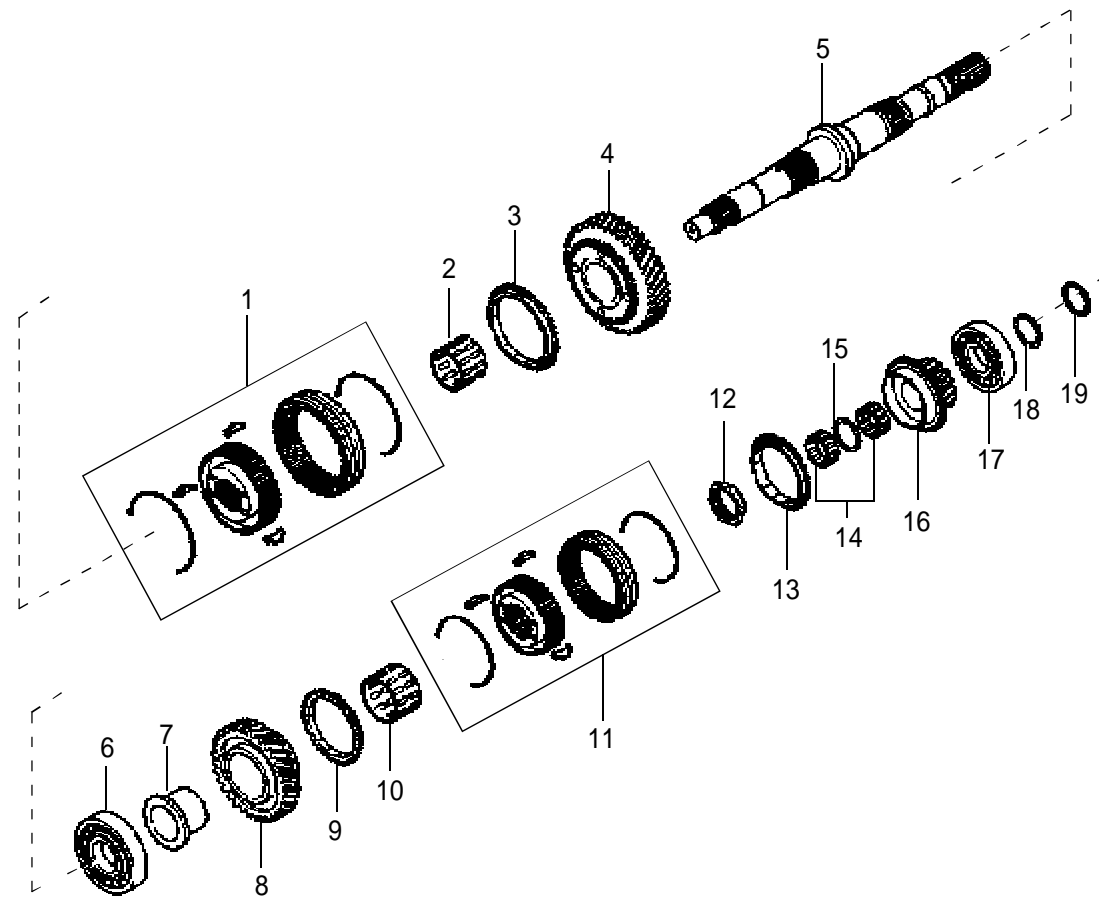


 每天进步一点点

变速器 —— 韩齿（三） TRANSMISSION-HANSHIN (3)

序号 S/N	零部件代号(OEM) PART CODE	零部件名称 PART NAME	用量 QTY	变速器厂家 TRANSMISSION FACTORY	备注 REMARK
1	GK71E173050	弹簧卡环 SPRING RETAINER RING (INPUT SHAFT RETAINER)	1	韩齿 HANSHIN	输入轴挡圈
2	GPD96172050	输入轴轴承 INPUT BEARING	1	韩齿 HANSHIN	
3	GPD96173050	弹簧卡环 SPRING RETAINER RING (INPUT SHAFT STOP RING)	1	韩齿 HANSHIN	输入轴止动环
4	GCH01172100	主驱动齿轮总成 MAIN DRIVING GEAR ASSEMBLY (INPUT SHAFT)	1	韩齿 HANSHIN	输入轴
5	GK71E17210A	滚针轴承 NEEDLE BEARING	1	韩齿 HANSHIN	输入轴
6	GK615172250	挡圈 RETAINER (INPUT SHAFT NEEDLE RETAINER)	1	韩齿 HANSHIN	输入轴滚针挡圈
7	GK43A172450	第三、四同步器齿环 3RD 4TH SYNCHRONIZER RING	2	韩齿 HANSHIN	
8	GK71E172400	第三、四离合器毂 3RD 4TH CLUTCH HUB	1	韩齿 HANSHIN	
9	GK43A172300	三档齿轮总成 3RD GEAR ASSEMBLY	1	韩齿 HANSHIN	
10	GK71E17232A	滚针轴承 NEEDLE BEARING (3RD GEAR)	1	韩齿 HANSHIN	三档齿轮
11	GK71E173040	弹簧卡环 SPRING RETAINER RING (3RD GEAR NEEDLE RETAINER)	1	韩齿 HANSHIN	三档齿轮滚针挡圈
12	GK72A172790	第二齿轮套 2ND GEAR CASE (2ND GEAR BUSH)	1	韩齿 HANSHIN	二档齿轮轴套
13	GPD96172500	二档齿轮总成 2ND GEAR ASSEMBLY	1	韩齿 HANSHIN	
14	GK71E17235A	滚针轴承 NEEDLE BEARING (1ST 2ND GEAR)	1	韩齿 HANSHIN	一、二档齿轮
15	GK71E17265A	第二同步器齿环 2ND SYNCHRONIZER RING	1	韩齿 HANSHIN	

变速器——韩齿（四） TRANSMISSION-HANSHIN (4)

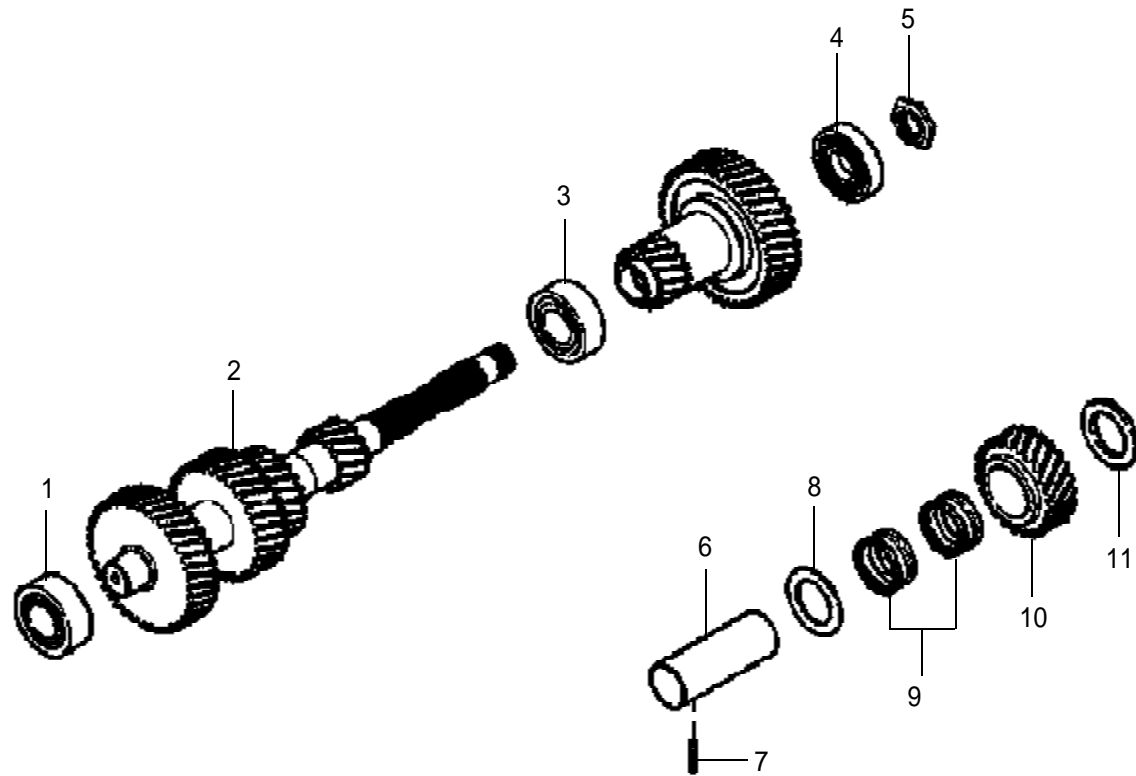


变速器 —— 韩齿（四） TRANSMISSION-HANSHIN (4)

序号 S/N	零部件代号(OEM) PART CODE	零部件名称 PART NAME	用量 QTY	变速器厂家 TRANSMISSION FACTORY	备注 REMARK
1	GPD96172600	第一、二离合器毂 1ST 2ND CLUTCH HUB	1	韩齿 HANSHIN	
2	GK71E17235A	滚针轴承 NEEDLE BEARING (1ST 2ND GEAR)	2	韩齿 HANSHIN	一、二档齿轮
3	GK71E17245A	第一同步器齿环 1ST SYNCHRONIZER RING	1	韩齿 HANSHIN	
4	GPD96172700	一档齿轮总成 1ST GEAR ASSEMBLY	1	韩齿 HANSHIN	
5	GCH01172210	主轴 MAIN SHAFT (OUTPUT SHAFT)	1	韩齿 HANSHIN	输出轴
6	GPD96172950	球轴承 BALL BEARING (OUTPUT SHAFT FRONT BEARING)	1	韩齿 HANSHIN	输出轴前轴承
7	GK71E172840	倒档齿轮套 REVERSE GEAR CASE	1	韩齿 HANSHIN	
8	GPD9617281A	倒档齿轮总成 REVERSE GEAR ASSEMBLY	1	韩齿 HANSHIN	
9	GW50117725A	倒档同步齿环 REVERSE SYNCHRONIZER RING	1	韩齿 HANSHIN	
10	GK71E17234A	滚针轴承 NEEDLE BEARING (REVERSE GEAR)	1	韩齿 HANSHIN	倒档齿
11	GPD9617620A	第五、R 离合器毂 5TH R CLUTCH HUB	1	韩齿 HANSHIN	
12	GK71E176290	锁紧螺母 LOCK NUT (OUTPUT SHAFT)	1	韩齿 HANSHIN	输出轴
13	GK43A177250	第五同步齿环 5TH SYNCHRONIZER RING	1	韩齿 HANSHIN	
14	GK71E17293A	滚针轴承 NEEDLE BEARING (CENTER 5TH GEAR)	2	韩齿 HANSHIN	中五档齿轮
15	GK71E172940	隔套 SPACER (CENTER 5TH NEEDLE SPACER)	1	韩齿 HANSHIN	中五档滚针隔套
16	GPD9617290A	五档齿轮总成 5TH GEAR ASSEMBLY	1	韩齿 HANSHIN	
17	GK71E172040	球轴承 BALL BEARING (OUTPUT SHAFT BACK BEARING)	1	韩齿 HANSHIN	输出轴后轴承
18	GK67B173060	弹簧卡环 SPRING RETAINER RING (OUTPUT SHAFT RETAINER)	1	韩齿 HANSHIN	输出轴挡圈
19	GK67B179870	O 型圈 "O" RING	1	韩齿 HANSHIN	

变速器——韩齿（五） TRANSMISSION-HANSHIN (5)

82



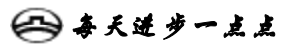
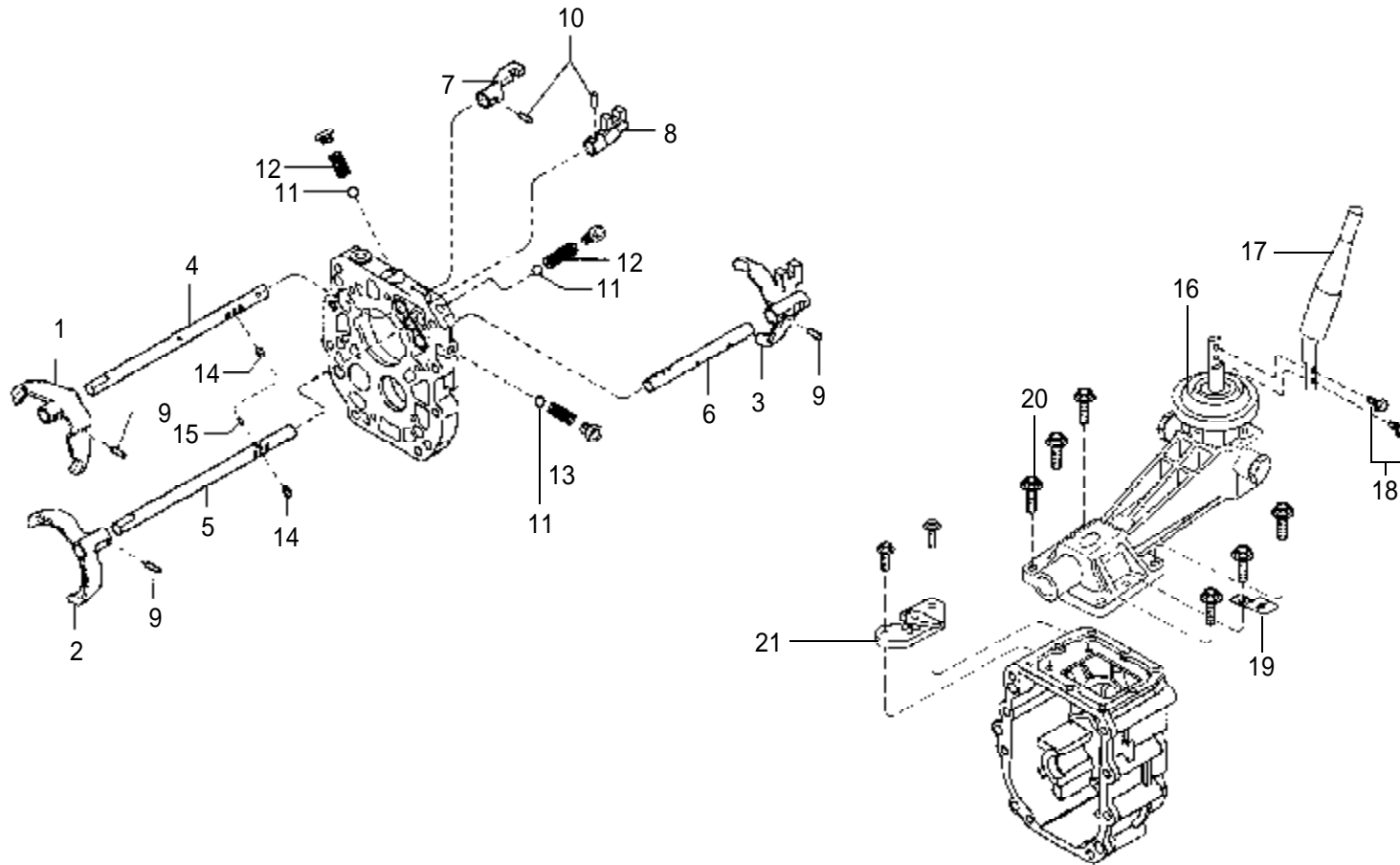
每天进步一点点

变速器 —— 韩齿（五） TRANSMISSION-HANSHIN (5)

序号 S/N	零部件代号(OEM) PART CODE	零部件名称 PART NAME	用量 QTY	变速器厂家 TRANSMISSION FACTORY	备注 REMARK
1	GPD96172070	中间轴前轴承 CENTER SHAFT FRONT BEARING	1	韩齿 HANSHIN	
2	GPD96173010	中间轴齿轮 CENTER SHAFT GEAR (CENTER SHAFT)	1	韩齿 HANSHIN	中间轴
3	GK71E172900	中间轴后轴承 CENTER SHAFT BACK BEARING	1	韩齿 HANSHIN	
4	GPD96172990	球轴承 BALL BEARING (IDLE GEAR OUTSIDE BEARING)	1	韩齿 HANSHIN	中间齿轮外轴承
5	GM50117309A	锁紧螺母 LOCK NUT (CENTER SHAFT)	1	韩齿 HANSHIN	中间轴
6	GK46917321A	惰轮轴 SHAFT,IDLE GEAR	1	韩齿 HANSHIN	
7	GK71E173230	销 PIN (IDLE GEAR SHAFT)	1	韩齿 HANSHIN	惰轮轴
8	GK71E173130	止推垫圈 THRUST WASHER (THIN, IDLE GEAR SHAFT)	1	韩齿 HANSHIN	薄, 惰轮轴
9	GK71E17312A	滚针轴承 NEEDLE BEARING (IDLE GEAR SHAFT)	2	韩齿 HANSHIN	惰轮轴
10	GPD96173110	空档齿轮总成 IDLE GEAR ASSEMBLY	1	韩齿 HANSHIN	
11	GK469173130	止推垫圈 THRUST WASHER (THICK, IDLE GEAR SHAFT)	1	韩齿 HANSHIN	厚, 惰轮轴

变速器——韩齿（六） TRANSMISSION-HANSHIN (6)

84

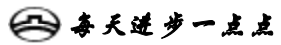
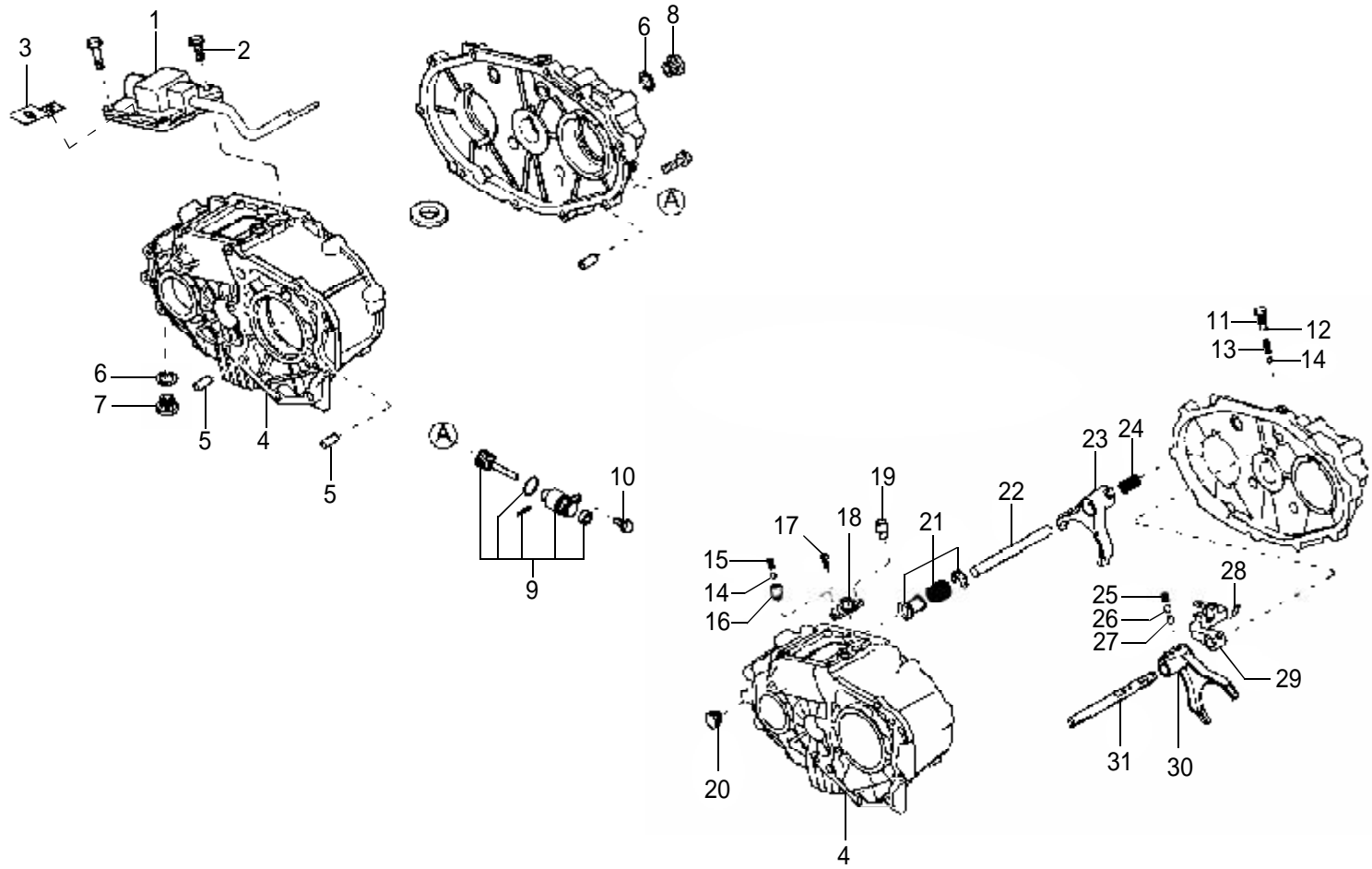


变速器 —— 韩齿（六） TRANSMISSION-HANSHIN (6)

序号 S/N	零部件代号(OEM) PART CODE	零部件名称 PART NAME	用量 QTY	变速器厂家 TRANSMISSION FACTORY	备注 REMARK
1	GK67A174140	第一, 二档换挡叉 1 ST 2 ND SHIFTING FORK	1	韩齿 HANSHIN	
2	GK67A174120	第三, 四档换挡叉 3 RD 4 TH SHIFTING FORK	1	韩齿 HANSHIN	
3	GCH01174060	第五, 倒档换挡叉 5 TH REVERSE SHIFTING FORK	1	韩齿 HANSHIN	
4	GK71E17413D	第一, 二档换挡杆 1 ST 2 ND GEAR SHIFT LEVER	1	韩齿 HANSHIN	
5	GPD96174110	第三, 四档换挡杆 3 RD 4 TH GEAR SHIFT LEVER	1	韩齿 HANSHIN	
6	GK71E17421B	第五, 倒档换挡杆 5 TH GEAR SHIFT LEVER	1	韩齿 HANSHIN	
7	GCH01174150	第一, 二档换挡端 1 ST 2 ND SHIFTING PIN	1	韩齿 HANSHIN	
8	GCH01174160	第三, 四档换挡端 3 RD 4 TH SHIFTING PIN	1	韩齿 HANSHIN	
9	G992220525	换挡叉弹簧销 SHIFTING FORK SPRING PIN	3	韩齿 HANSHIN	
10	G992220522	换挡端弹簧销 SHIFTING END SPRING PIN	2	韩齿 HANSHIN	
11	G996112500	钢球 STEEL BALL	3	韩齿 HANSHIN	
12	GK71E17422B	弹簧 SPRING	2	韩齿 HANSHIN	
13	GK71E17422A	弹簧 SPRING	1	韩齿 HANSHIN	
14	G0114173510	互锁销 INTERLOCK PIN	2	韩齿 HANSHIN	
15	GRA01174150	互锁销 INTERLOCK PIN	1	韩齿 HANSHIN	
16	CH0217430	变速杆固定座 GEAR LEVER SEAT	1	韩齿 HANSHIN	
17	GCH02174700	变速杆总成 GEAR LEVER ASSEMBLY	1	韩齿 HANSHIN	
18	GCH01174960	密配合螺栓 REAMER BOLT (GEAR LEVER ANCHOR BOLT)	2	韩齿 HANSHIN	变速杆固定螺栓
19	G431234Y000	变速器配线支架 TRANSMISSION WIRE CARRIER	1	韩齿 HANSHIN	
20	G9H6920825	控制器总成固定螺栓 CONTROLLER ASSEMBLY ANCHOR BOLT	6	韩齿 HANSHIN	
21	GCH01174800	变速杆倒档定位槽总成 GEAR LEVER REVERSE LOCATING SLOT ASSEMBLY	1	韩齿 HANSHIN	

变速器——韩齿（七） TRANSMISSION-HANSHIN (7)

86

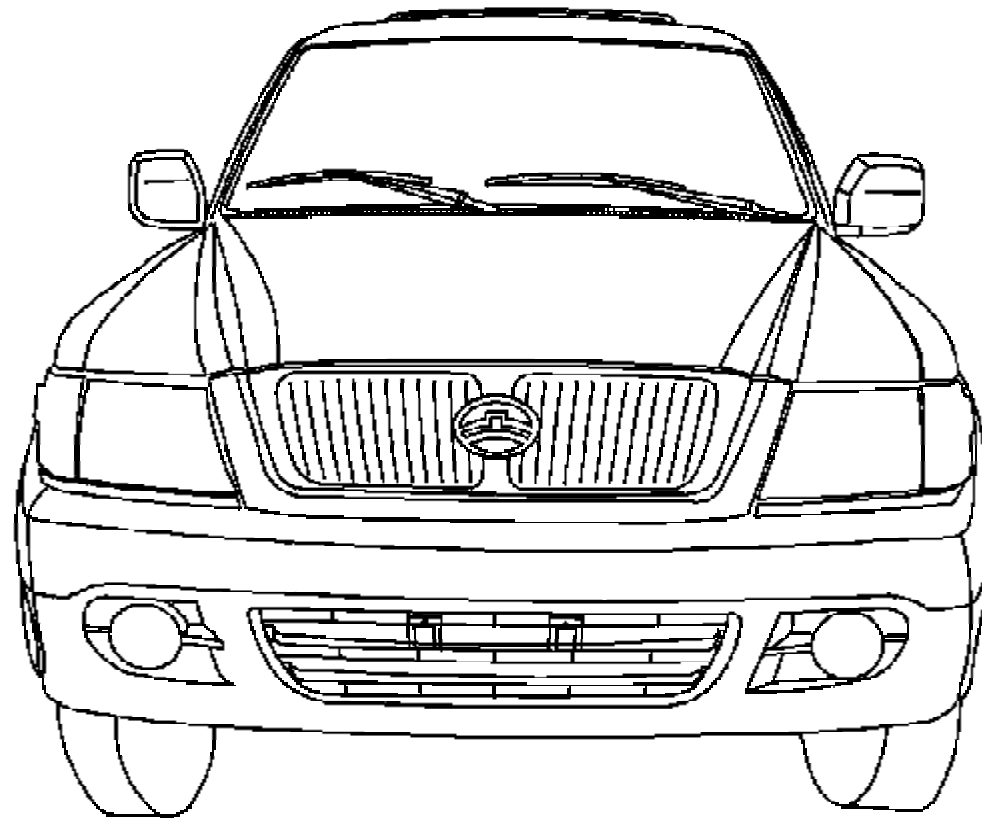


变速器 —— 韩齿（七） TRANSMISSION-HANSHIN (7)

序号 S/N	零部件代号(OEM) PART CODE	零部件名称 PART NAME	用量 QTY	变速器厂家 TRANSMISSION FACTORY	备注 REMARK
1	CH0217910	分动杆固定座 TRANSFER LEVER SEAT	1	韩齿 HANSHIN	
	CH0217910B	分动杆固定座 TRANSFER LEVER SEAT (GENERATION)		韩齿 HANSHIN	改进型
2	G9H6920825	控制器总成固定螺栓 CONTROLLER ASSEMBLY ANCHOR BOLT	4	韩齿 HANSHIN	
3	G431234Y000	变速器配线支架 TRANSMISSION WIRE CARRIER	1	韩齿 HANSHIN	
4	CH0217911	分动器前箱体 TRANSFER CASE FRONT CASE	1	韩齿 HANSHIN	
5	992331222	顶出销子 KS/NCK PIN	2	韩齿 HANSHIN	
6	G995641800	磁性螺栓垫片 MAGNETIC BOLT BACKING	2	韩齿 HANSHIN	
7	K71E17122	磁性螺塞 MAGNETIC PLUG (OIL DRAIN PLUG)	1	韩齿 HANSHIN	放油塞
8	K71E17123	螺塞 PLUG (OIL FILLER PLUG)	1	韩齿 HANSHIN	加油塞
9	GK67A174000	里程表从动轮总成 ODOMETER DRIVEN WHEEL ASSEMBLY	1	韩齿 HANSHIN	
10	G997960616	变速杆倒档定位槽固定螺栓 GEAR LEVER REVERSE LOCATING SLOT ANCHOR BOLT	1	韩齿 HANSHIN	
11	K67B17974A	有头弹簧 SPRING WITH HEAD	1	韩齿 HANSHIN	
12	995641400	垫片 BACKING	1	韩齿 HANSHIN	
13	K71K17959	弹簧 SPRING	1	韩齿 HANSHIN	
14	996112500	滚珠 STEEL BALL	2	韩齿 HANSHIN	
15	K67B17956	弹簧 SPRING	6	韩齿 HANSHIN	
16	K67B17977	导正销 GUIDE PIN	1	韩齿 HANSHIN	
17	998080614	套筒螺栓 SOCKET BOLT	2	韩齿 HANSHIN	
18	K67B17958A	盘内锁止 LOCK IN PLATE	1	韩齿 HANSHIN	
19	K67B17976	销 PIN	1	韩齿 HANSHIN	
20	995101600	塞堵 PLUG	1	韩齿 HANSHIN	

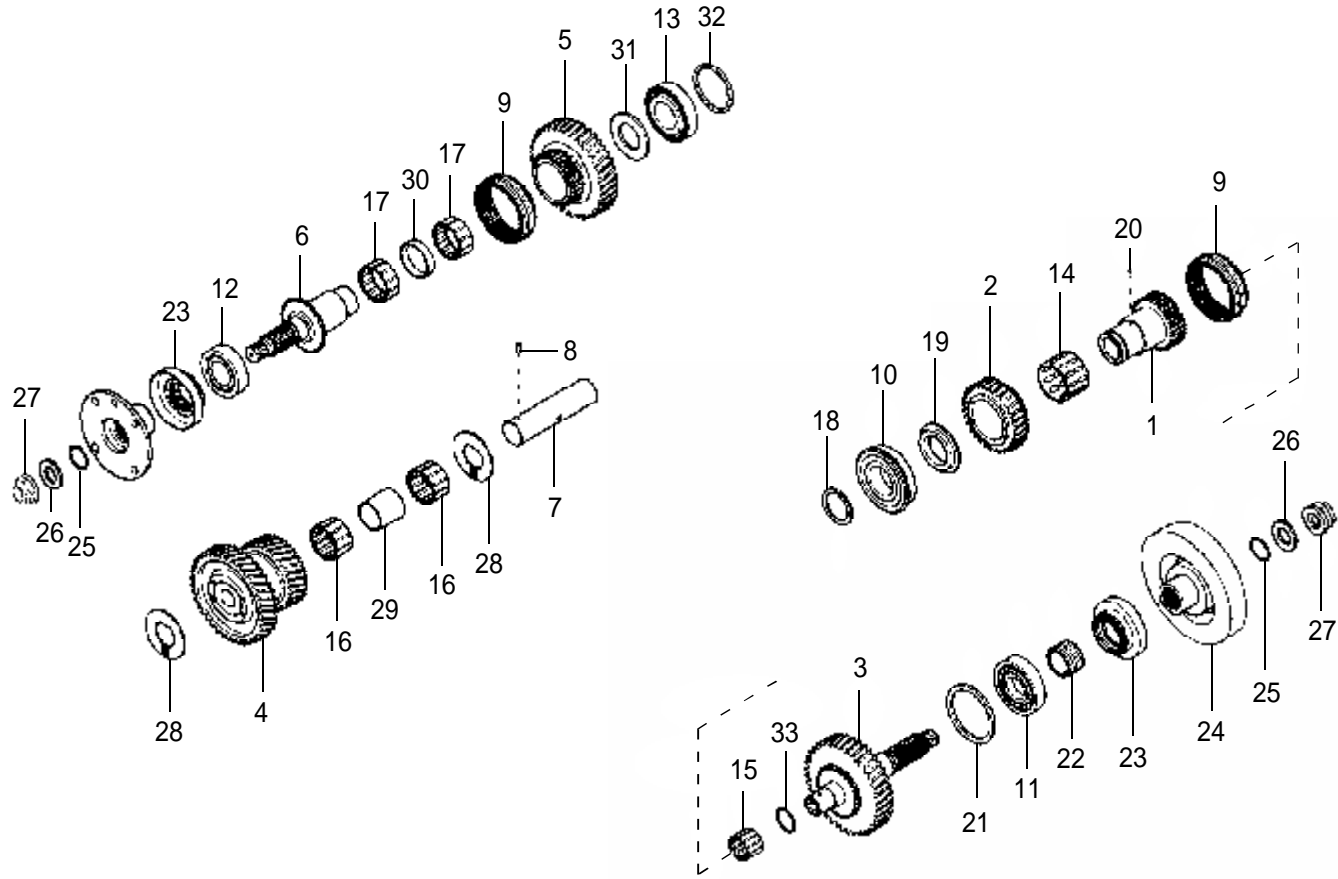
变速器 —— 韩齿（七） TRANSMISSION-HANSHIN (7)

序号 S/N	零部件代号(OEM) PART CODE	零部件名称 PART NAME	用量 QTY	变速器厂家 TRANSMISSION FACTORY	备注 REMARK
21	K67B17980	垫圈/弹簧组件 BACKING RING / SPRING ASSEMBLY	1	韩齿 HANSHIN	
22	K67B17961A	2、4档换挡杆 2 ND 4 TH GEAR SHIFT LEVER	1	韩齿 HANSHIN	
23	K67B17964B	2、4档换挡叉 2 ND 4 TH GEAR SHIFT LEVER	1	韩齿 HANSHIN	
24	K67B17962	弹簧 SPRING	1	韩齿 HANSHIN	
25	K67B17955	弹簧 SPRING	1	韩齿 HANSHIN	
26	996113000	滚珠 STEEL BALL	1	韩齿 HANSHIN	
27	M50117954	内锁止销 INNER LOCK STOP PIN	1	韩齿 HANSHIN	
28	992220530	弹簧销 SPRING PIN	1	韩齿 HANSHIN	
29	K67B1952A	换挡接线 GEAR SHIFTING WIRING	1	韩齿 HANSHIN	
30	K67B17953B	换挡叉高/低 GEAR FORK HIGH / LOW	1	韩齿 HANSHIN	
31	CH0217951	换挡杆高/低 GEAR SHIFT LEVER HIGH / LOW	1	韩齿 HANSHIN	



变速器——韩齿（八） TRANSMISSION-HANSHIN (8)

90



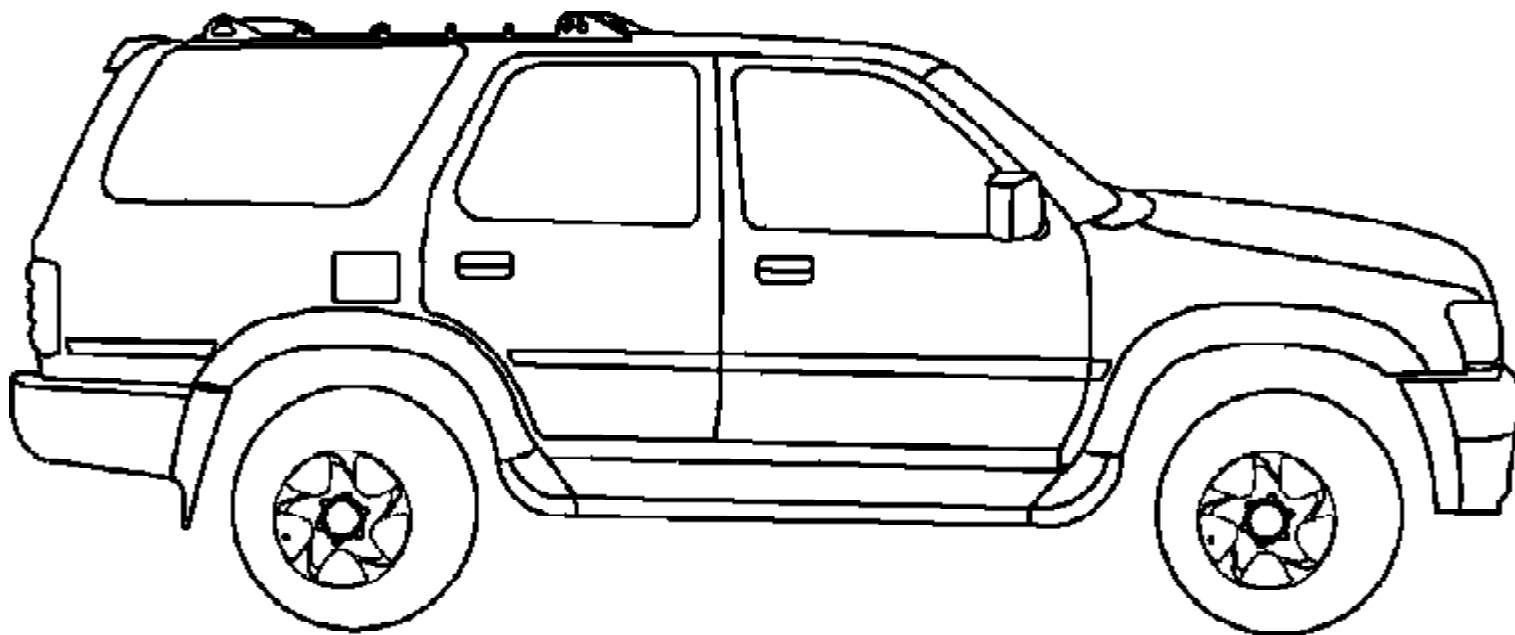
每天进步一点点

变速器 —— 韩齿（八） TRANSMISSION-HANSHIN (8)

序号 S/N	零部件代号(OEM) PART CODE	零部件名称 PART NAME	用量 QTY	变速器厂家 TRANSMISSION FACTORY	备注 REMARK
1	K67B17921B	分动器输入轴 TRANSFER CASE INPUT SHAFT	1	韩齿 HANSHIN	
2	CH0217922	低速齿轮组件 LOW SPEED GEAR ASSEMBLY	1	韩齿 HANSHIN	
3	CH0217926	后输入轴 REAR INPUT SHAFT	1	韩齿 HANSHIN	
4	CH0217930	分动器怠速齿轮件 TRANSFER CASE IDLING GEAR	1	韩齿 HANSHIN	
5	CH0217942	4WD 齿轮 4WD GEAR	1	韩齿 HANSHIN	
6	CH0217946	前输入轴 FRONT INPUT SHAFT	1	韩齿 HANSHIN	
7	CH0217934	怠速齿轮轴 IDLING GEAR SHAFT	1	韩齿 HANSHIN	
8	K61617323	滚筒销 CYLINDER PIN	1	韩齿 HANSHIN	
9	K67B17929	分动器套筒 TRANSFER CASE CYLINDER	2	韩齿 HANSHIN	
10	K67B17903	球形轴承 BALL BEARING	1	韩齿 HANSHIN	
11	K63B19205	球形轴承 BALL BEARING	1	韩齿 HANSHIN	
12	K67B17905	滚子轴承 ROLLER BEARING	1	韩齿 HANSHIN	
13	W50117204	滚子轴承 ROLLER BEARING	1	韩齿 HANSHIN	
14	K67B17938	分动器输入轴轴承 TRANSFER CASE INPUT SHAFT BEARING	1	韩齿 HANSHIN	
15	072717210A	滚针轴承 NEEDLE BEARING	1	韩齿 HANSHIN	
16	K61619252	滚针轴承 NEEDLE BEARING	2	韩齿 HANSHIN	
17	K01117943	滚针轴承 NEEDLE BEARING	2	韩齿 HANSHIN	
18	K67B17902A	弹簧卡簧 SPRING CIRCLIP	1	韩齿 HANSHIN	
19	CH0217928	垫圈 BACKING RING	1	韩齿 HANSHIN	
20	996111500	滚珠 BEARING BALL	1	韩齿 HANSHIN	
21	995747200	固定簧 ANCHOR SPRING	1	韩齿 HANSHIN	

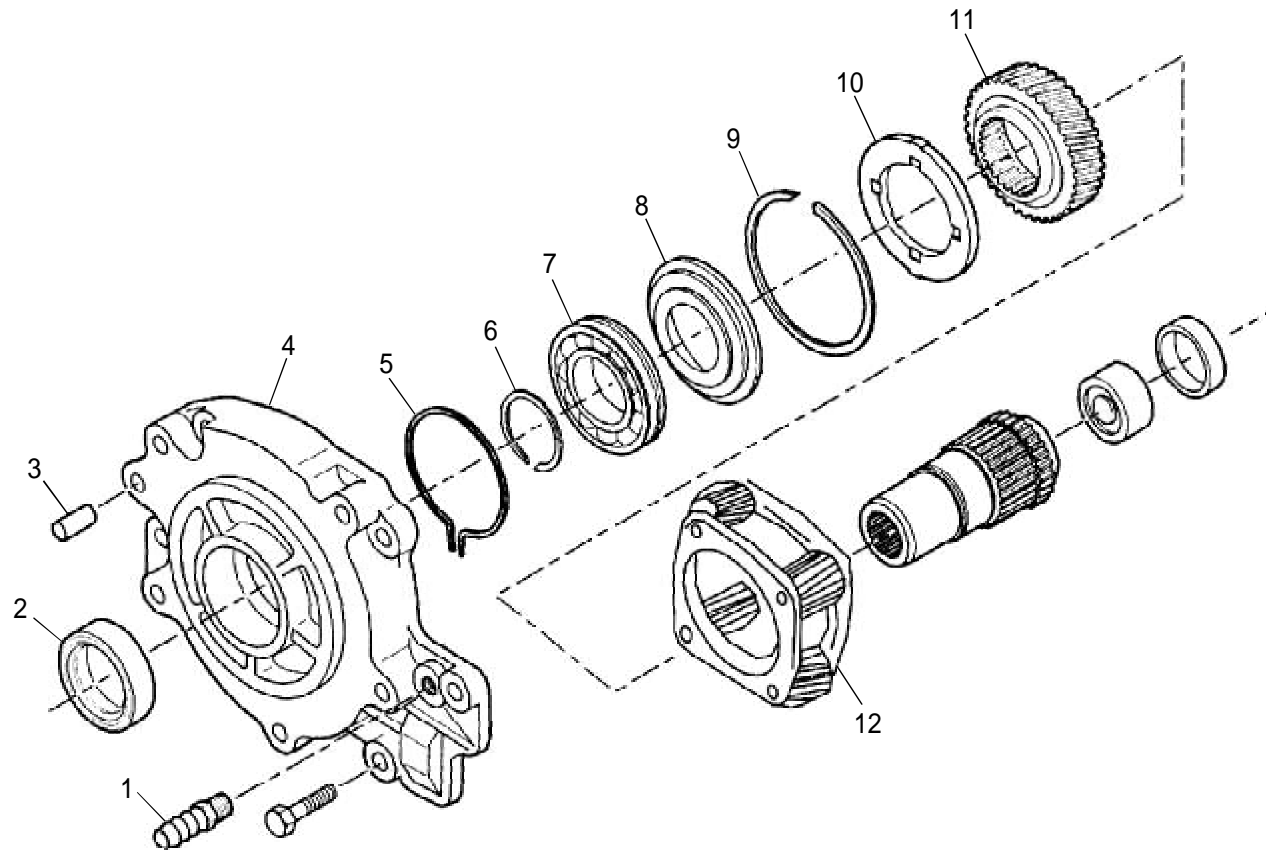
变速器 —— 韩齿（八） TRANSMISSION-HANSHIN (8)


序号 S/N	零部件代号(OEM) PART CODE	零部件名称 PART NAME	用量 QTY	变速器厂家 TRANSMISSION FACTORY	备注 REMARK
22	K60A17341	主动齿轮 DRIVE GEAR	1	韩齿 HANSHIN	
23	K71E17336A	分动器输出轴油封 TRANSFER CASE OUTPUT SHAFT OIL SEAL	2	韩齿 HANSHIN	
24	CH0217355	法兰盖 FLANGE CAP	1	韩齿 HANSHIN	
25	9954102401	O 型圈 “O” RING	2	韩齿 HANSHIN	
26	K71E17012	盘垫圈 PLATE BACKING RING	2	韩齿 HANSHIN	
27	CH0217989	锁止螺母 LOCK BOLT	2	韩齿 HANSHIN	
28	K67B17983	垫圈 THRUST WASHER	2	韩齿 HANSHIN	
29	CH0217273	轴承衬垫 BEARING SPACER	1	韩齿 HANSHIN	
30	K67B17935	轴承衬垫 BEARING SPACER	1	韩齿 HANSHIN	
31	K67B17927	垫圈 THRUST WASHER	1	韩齿 HANSHIN	
32	99963S6310	调节垫片 ADJUSTING GASKET	1	韩齿 HANSHIN	
33	K67B17863	油封 OIL SEAL (REAR INPUT SHAFT FRONT OIL SEAL)	1	韩齿 HANSHIN	后输入轴前油封



分动器——博格华纳（一）TRANSFER CASE-BW(1)

94



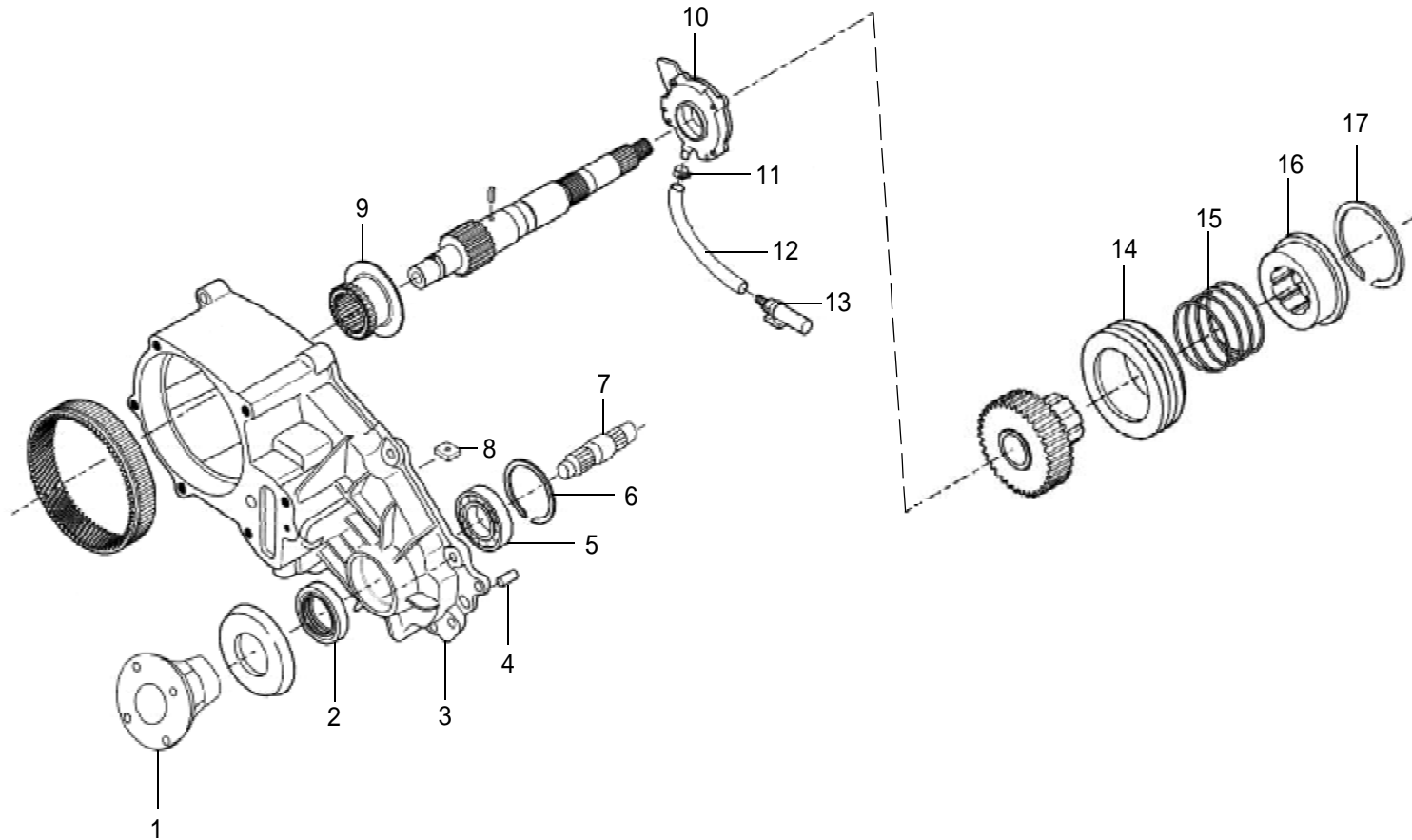
 每天进步一点点


分动器 —— 博格华纳（一）TRANSFER CASE-BW(1)

序号 S/N	零部件代号 PART CODE	零部件名称 PART NAME	用量 QTY	分动器厂家 TRANSFER FACTORY	备注 REMARK
	1802100-F01	分动器总成 TRANSFER CASE ASSEMBLY	1	博格华纳 BW	电控四驱 ELECTRICALLY- CONTROLLED 4WD
1	1800040-SY	通气阀 BREATHER VALVE	6	博格华纳 BW	
2	1802021-SY	后输出轴油封 OUTPUT SHAFT OIL SEAL	1	博格华纳 BW	
3	1800013-SY	前端盖固定销 FRONT END CAPANCHOR PIN	1	博格华纳 BW	
4	1800012-SY	前端盖 FRONT END CAP	1	博格华纳 BW	
5	1802041-SY	输入轴卡环 INPUT SHAFT RETAINER RING	1	博格华纳 BW	
6	1802044-SY	输入轴轴承卡环 INPUT BEARING RETAINER RING	1	博格华纳 BW	
7	1802043-SY	输入轴轴承 INPUT BEARING	1	博格华纳 BW	
8	1802042-SY	输入轴前轴承止推环 INPUT SHAFT FRONT BEARING THRUST WASHER	1	博格华纳 BW	
9	1802033-SY	止推盘卡环 THRUST PLATE RETAINER RING	1	博格华纳 BW	
10	1802032-SY	太阳轮止推盘 SUN GEAR THRUST PLATE	1	博格华纳 BW	
11	1802031-SY	太阳轮 SUN GEAR	1	博格华纳 BW	
12	1802030-SY	行星架总成 PLANET CARRIER ASSEMBLY	1	博格华纳 BW	

分动器——博格华纳（二） TRANSFER CASE-BW(2)

96

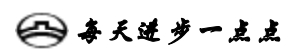
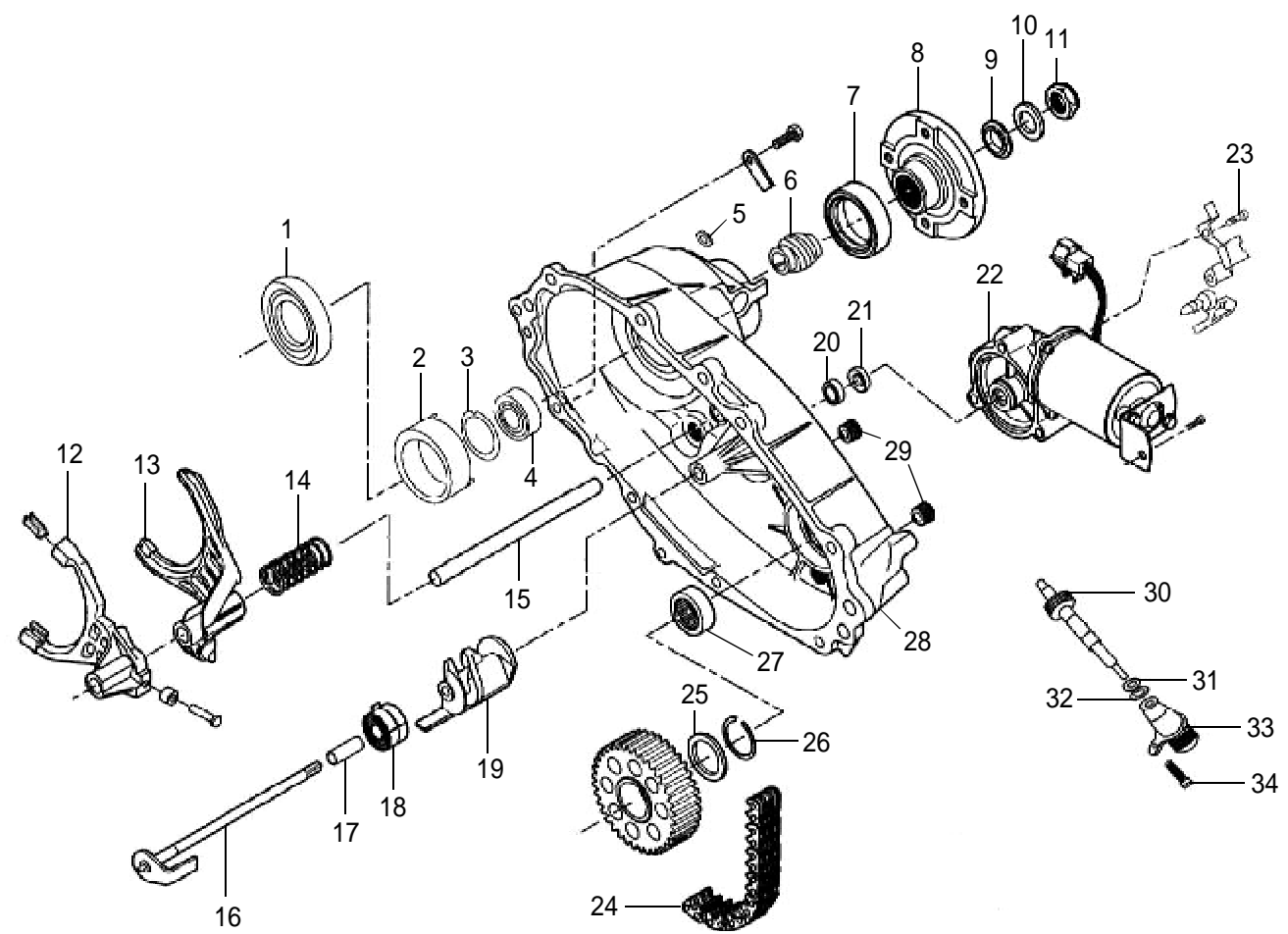


 每天进步一点点

分动器 —— 博格华纳 (二) TRANSFER CASE-BW(2)

序号 S/N	零部件代号 PART CODE	零部件名称 PART NAME	用量 QTY	分动器厂家 TRANSFER FACTORY	备注 REMARK
1	1802018-SY	前法兰盘 FRONT FLANGE PLATE	1	博格华纳 BW	电控四驱 ELECTRICALLY- CONTROLLED 4WD
2	1802021-SY	后输出轴油封 OUTPUT SHAFT OIL SEAL	1	博格华纳 BW	
3	1800010-SY	分动器壳体总成 TRANSFER CASE BODY ASSEMBLY	1	博格华纳 BW	
4	1800011-SY	定位弹性销 LOCATING ELASTIC PIN	2	博格华纳 BW	
5	1802011-SY	输出轴前轴承 OUTPUT SHAFT FRONT BEARING	1	博格华纳 BW	
6	1804023-SY	离合线圈卡环 CLUTCH SOLES/NID RETAINER RING	1	博格华纳 BW	
7	1802012-SY	输出轴 OUTPUT SHAFT	1	博格华纳 BW	
8	1800031-SY	磁铁 MAGNETIC IRON	1	博格华纳 BW	
9	1802045-SY	齿套(减速齿毂) TOOTH CASE (BRAKING TOOTH HUB)	1	博格华纳 BW	
10	1804020-SY	转子泵总成 DRUM PUMP ASSEMBLY	1	博格华纳 BW	
11	1802062-SY	油泵到过滤器软管卡子 THE CLIP FROM OIL PUMP TO FILTER HOSE	1	博格华纳 BW	
12	1802061-SY	油泵到过滤器软管 FROM OIL PUMP TO FILTER HOSE	1	博格华纳 BW	
13	1802060-SY	润滑油滤清器 OIL FILTER	1	博格华纳 BW	
14	1804028-SY	换挡锁止套 SHIFT LOCK CASE	1	博格华纳 BW	
15	1804029-SY	换挡接合套回位弹簧 GEAR SHIFT JOINT CASE RETURN SPRING	1	博格华纳 BW	
16	1804027-SY	换挡接合套 GEAR SHIFT JOINT CASE	1	博格华纳 BW	
17	1804031-SY	换挡接合套卡环 GEAR SHIFT JOINT CASE RETAINER RING	1	博格华纳 BW	

分动器——博格华纳（三）TRANSFER CASE-BW(3)



分动器 —— 博格华纳（三）TRANSFER CASE-BW(3)

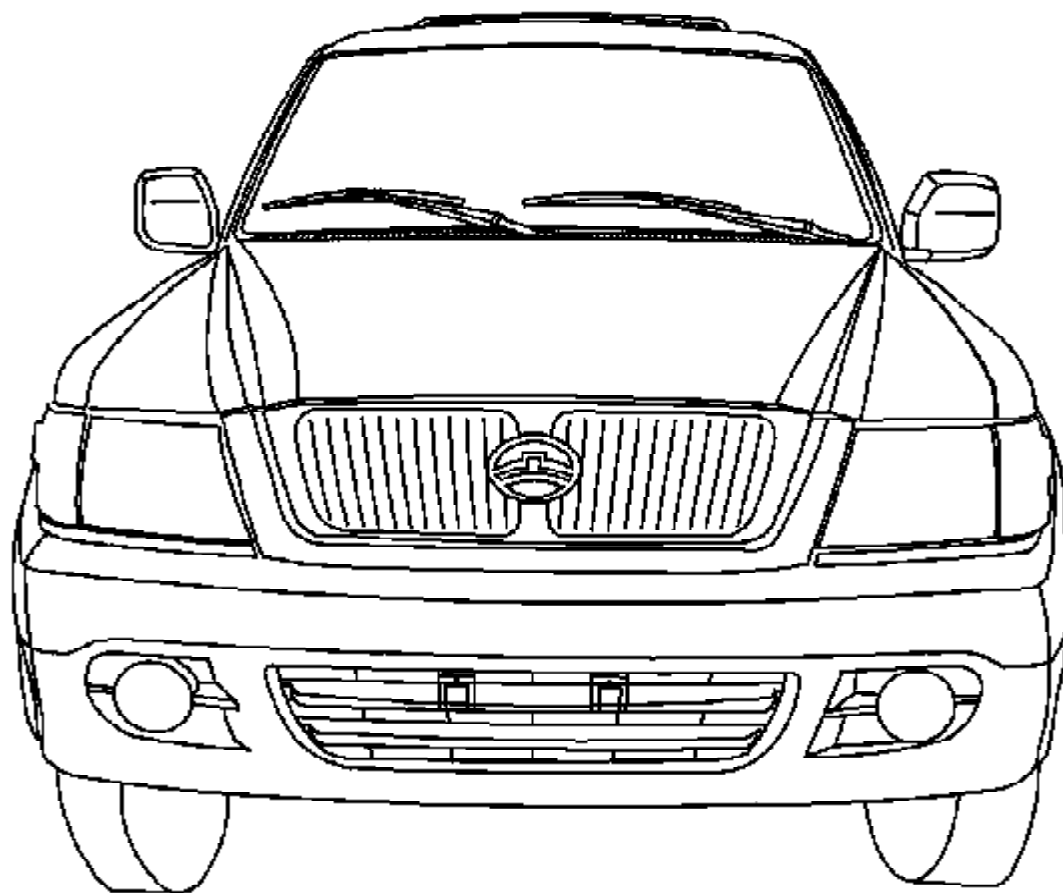
序号 S/N	零部件代号 PART CODE	零部件名称 PART NAME	用量 QTY	分动器厂家 TRANSFER FACTORY	备注 REMARK
1	1804021-SY	电磁离合器壳体 MAGNETIC CLUTCH HOUSING	1	博格华纳 BW	电控四驱 ELECTRICALLY -CONTROLLED 4WD
2	1804022-SY	电磁线圈 ELECTROMAGNETIC COILER	1	博格华纳 BW	
3	1802023-SY	后输出轴轴承卡环 REAR OUTPUT SHAFT BEARING RETAINER RING	1	博格华纳 BW	
4	1802022-SY	后输出轴轴承 REAR OUTPUT SHAFT BEARING	1	博格华纳 BW	
5	1804024-SY	电磁离合器固定螺母 MAGNETIC CLUTCH ANCHOR NUT	1	博格华纳 BW	
6	1802052-SY	里程表主动齿轮 ODOMETER DRIVE GEAR	1	博格华纳 BW	
7	1802021-SY	后输出轴油封 REAR OUTPUT SHAFT OIL SEAL	1	博格华纳 BW	
8	1802019-SY	后法兰盘 REAR FLANGE PLATE	1	博格华纳 BW	
9	1802013-SY	前(后)输出轴法兰盘密封圈 FRONT (REAR) OUTPUT SHAFT FLANGE PLATE SEAL RING	1	博格华纳 BW	
10	1802014-SY	前(后)输出轴法兰盘平垫圈 FRONT (REAR) OUTPUT SHAFT FLANGE PLATE FLAT WASHER	1	博格华纳 BW	
11	1802015-SY	前(后)输出轴法兰盘固定螺母 FRONT (REAR) OUTPUT SHAFT FLANGE PLATE ANCHOR NUT	1	博格华纳 BW	
12	1803010-SY	高低档拨叉总成 HIGH AND LOW SHIFT FORK ASSEMBLY	1	博格华纳 BW	
13	1803011-SY	拨叉总成 SHIFT FORK ASSEMBLY	1	博格华纳 BW	
14	1804026-SY	换挡导轴回位弹簧 GEAR SHIFT GUIDE SHAFT RETURN SPRING	1	博格华纳 BW	
15	1804025-SY	换挡导轴 GEAR SHIFT GUIDE SHAFT	1	博格华纳 BW	
16	1803012-SY	换挡轴 SHIFTING SHAFT	1	博格华纳 BW	
17	1803014-SY	换挡导轴垫片 GEAR SHIFT GUIDE SHAFT BACKING	1	博格华纳 BW	
18	1803013-SY	换挡轴弹簧 SHIFTING SHAFT SPRING	1	博格华纳 BW	
19	1803015-SY	换挡凸板 GEAR SHIFT RAISED BOARD	1	博格华纳 BW	
20	1803017-SY	换挡轴支承轴承 SHIFTING SHAFT BEARER BEARING	1	博格华纳 BW	

分动器 —— 博格华纳（三）TRANSFER CASE-BW(3)

序号 S/N	零部件代号 PART CODE	零部件名称 PART NAME	用量 QTY	分动器厂家 TRANSFER FACTORY	备注 REMARK
21	1803016-SY	换挡轴油封 SHIFTING SHAFT OIL SEAL	1	博格华纳 BW	电控四驱 ELECTRICAL-CONTROLLED 4WD
22	1804030-SY	马达总成 MOTOR ASSEMBLY	1	博格华纳 BW	
23	3624022-SY	速度传感器固定螺栓 VELOCITY SENSOR ANCHOR BOLT	1	博格华纳 BW	
24	1802070-SY	传动链条 DRIVING CHAIN	1	博格华纳 BW	
25	1802024-SY	从动齿轮垫片 DRIVEN GEAR BACKING	1	博格华纳 BW	
26	1802016-SY	输出轴卡环 OUTPUT SHAFT RETAINER RING	1	博格华纳 BW	
27	1802017-SY	前输出轴后滚针轴承 FRONT OUTPUT SHAFT BACK NEEDLE BEARING	1	博格华纳 BW	
28	1800020-SY	分动器后盖 TRANSFER CASE REAR CAP	1	博格华纳 BW	
29	1800030-SY	加(放)油塞 OIL FILLER (DRAIN) PLUG	2	博格华纳 BW	
30	1802054-SY	里程表从动齿轮 ODOMETER DRIVEN GEAR (20 TOOTH)	1	博格华纳 BW	
31	1802051-SY	里程表从动齿轮油封 ODOMETER DRIVEN GEAR OIL SEAL	1	博格华纳 BW	
32	1802053-SY	里程表从动齿轮 O 型圈 ODOMETER DRIVEN GEAR "O" RING	1	博格华纳 BW	
33	1802055-SY	里程表从动齿轮轴套 ODOMETER DRIVEN GEAR BUSHING	1	博格华纳 BW	
34	1802057-SY	里程表从动齿轮压板固定螺栓 ODOMETER DRIVEN GEAR CLAMP ANCHOR BOLT	1	博格华纳 BW	

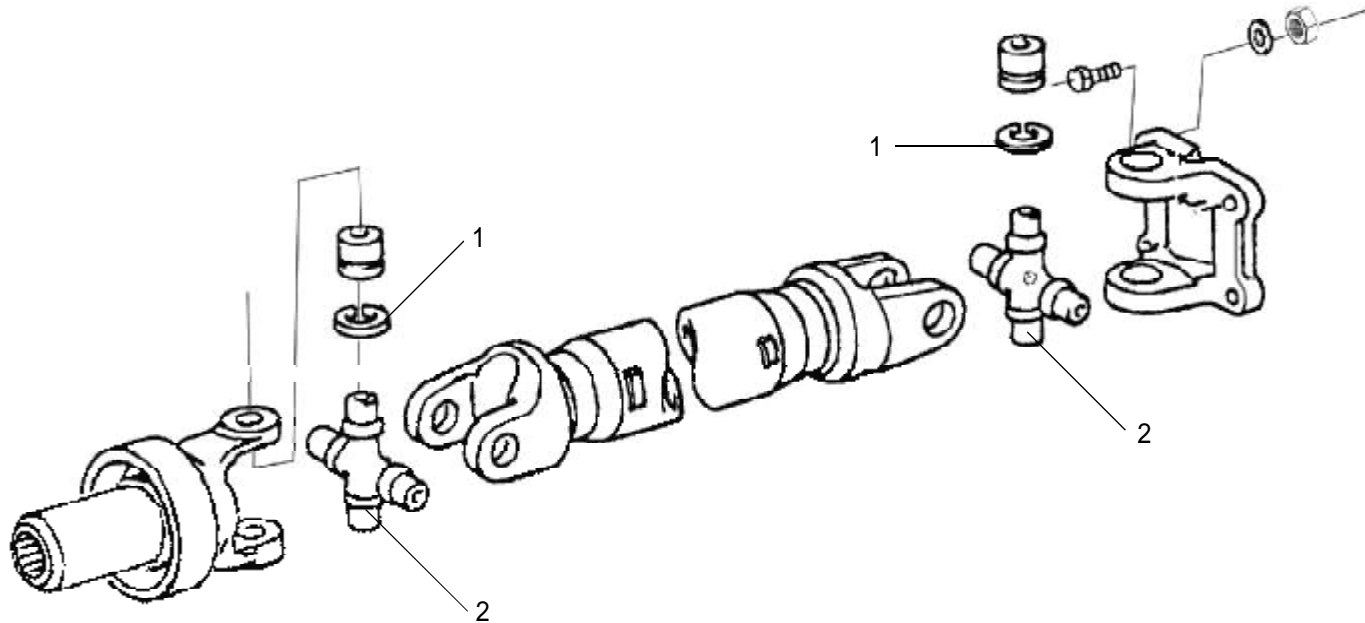
100





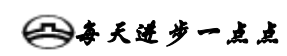
传动轴总成（一） PROPELLER SHAFT ASSEMBLY(1)

102

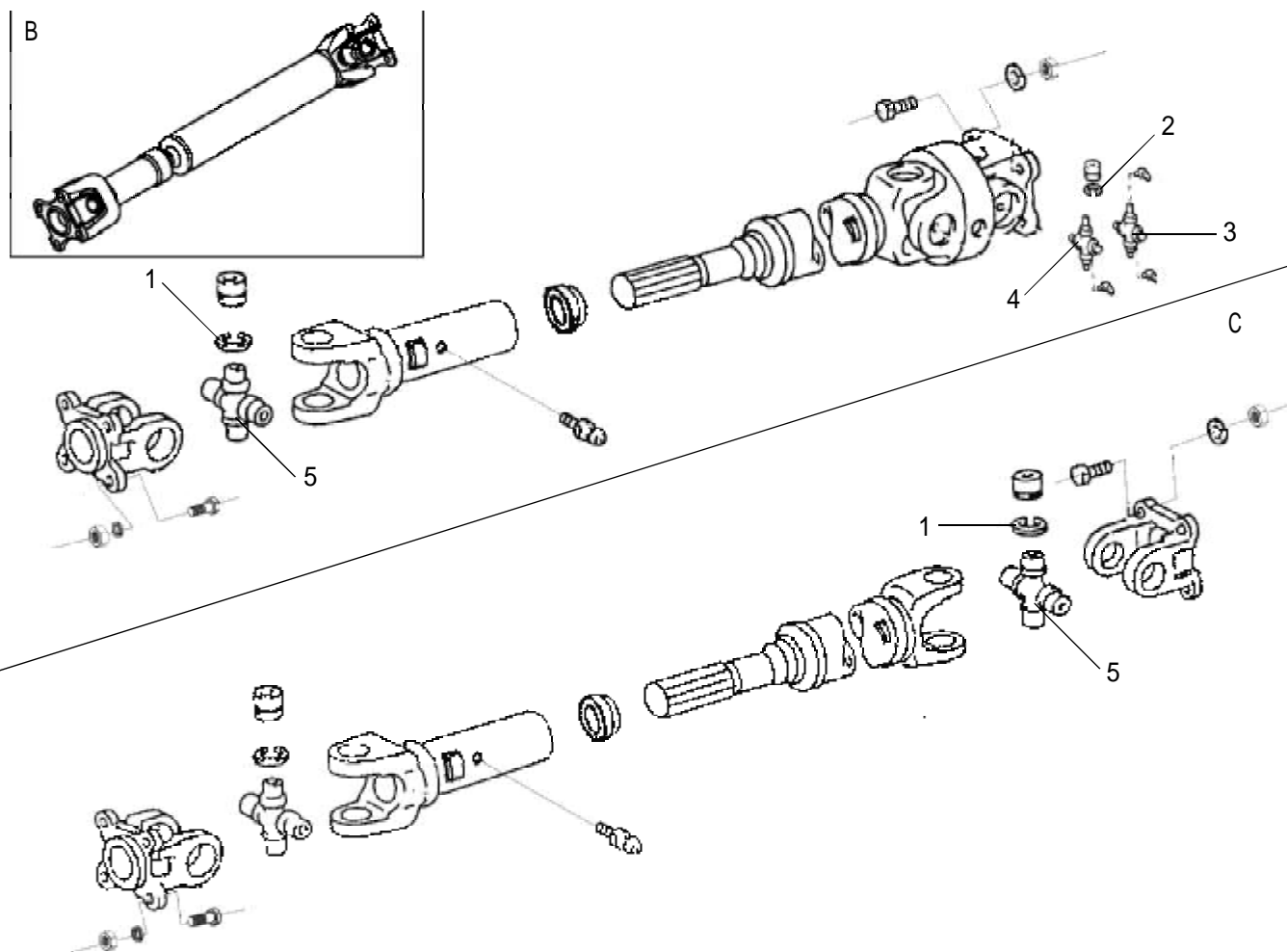


传动轴总成（一） PROPELLER SHAFT ASSEMBLY (1)

序号 S/N	零部件代号 PART CODE	零部件名称 PART NAME	用量 QTY	适用车型 VEHICLE APPLICABLE TO	备注 REMARK
	2201100-F00	后桥传动轴总成 PROPELLER SHAFT ASSEMBLY,REAR AXLE	1	F00 F02	L1515MM
	2201100-F00-B1	后桥传动轴总成 PROPELLER SHAFT ASSEMBLY,REAR AXLE			L1505MM
1	2201121-F00	十字轴卡簧 SPIDER SNAP RING	8		
2	2201116-F00	十字轴 SPIDER	2		



传动轴总成（二） PROPELLER SHAFT ASSEMBLY(2)



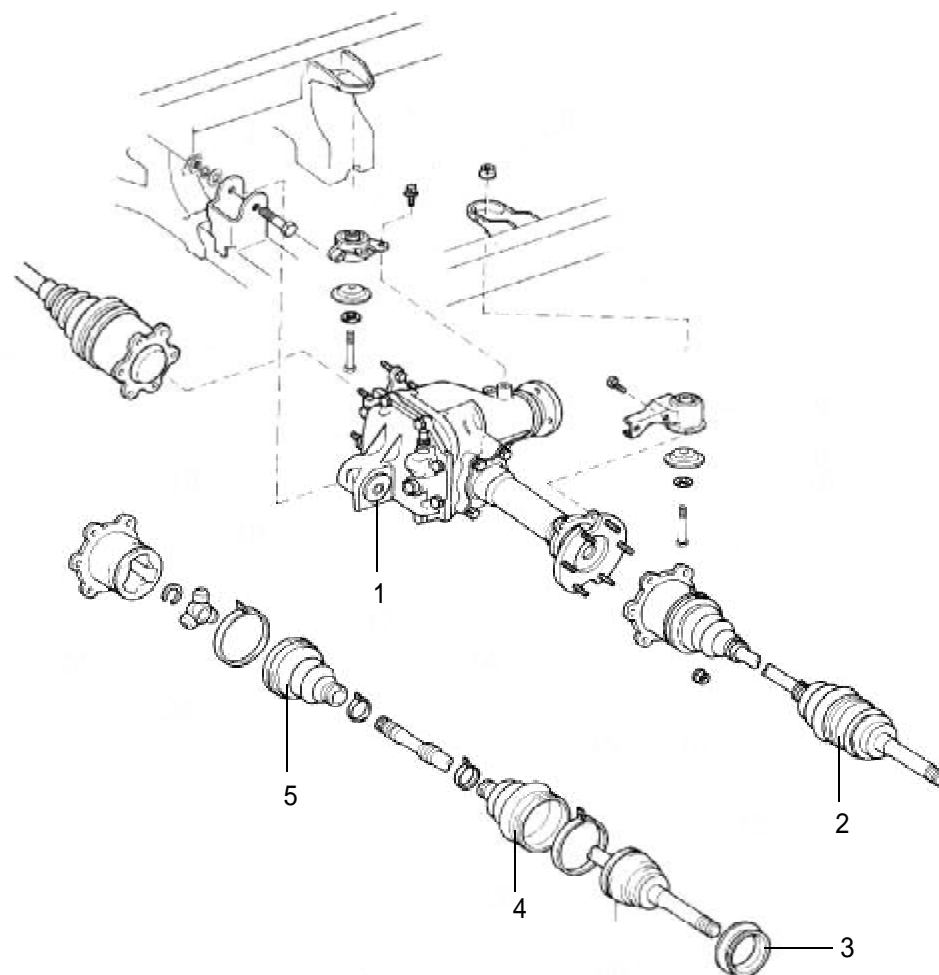
传动轴总成（二）PROPELLER SHAFT ASSEMBLY (2)

序号 S/N	零部件代号 PART CODE	零部件名称 PART NAME	用量 QTY	适用车型 VEHICLE APPLICABLE TO	备注 REMARK
A	2203100-D07-B1	前桥传动轴总成 PROPELLER SHAFT ASSEMBLY,FRONT AXLE (4WD, MADE IN KOREA)	1	F01	韩国四驱
	2203100-D07	前桥传动轴总成 PROPELLER SHAFT ASSEMBLY,FRONT AXLE (4WD, ELECTRICALLY CONTROLLED)			电控四驱
B	2203100-F01-D1	前桥传动轴总成 PROPELLER SHAFT ASSEMBLY,FRONT AXLE	1	F01 F05	
C	2201100-F01-C1	后桥传动轴总成 PROPELLER SHAFT ASSEMBLY,REAR AXLE	1	F01	
	2201100-F01-B1	后桥传动轴总成 PROPELLER SHAFT ASSEMBLY,REAR AXLE (4WD,MADE IN KOREA)			韩国四驱
	2201100-F01	后桥传动轴总成 PROPELLER SHAFT ASSEMBLY,REAR AXLE (ELECTRICALLY CONTROLLED, 4WD)			电控四驱
1	2203101-D07	十字轴卡簧 SPIDER SNAP RING (4WD, FRONT SNAP RING)	4	F01 F03 F05	四驱前卡簧
2	2203102-D07	十字轴卡簧 SPIDER SNAP RING (4WD, REAR SNAP RING)	8		四驱后卡簧
3	2203104-D07	十字轴 SPIDER (DOUBLE NOZZLE)	1		双油嘴
4	2203105-D07	十字轴 SPIDER (SINGLE NOZZLE)	1		单油嘴
5	2203103-D07	十字轴 SPIDER	1		



四驱前驱动桥总成 4WD FRONT DRIVE AXLE ASSEMBLY

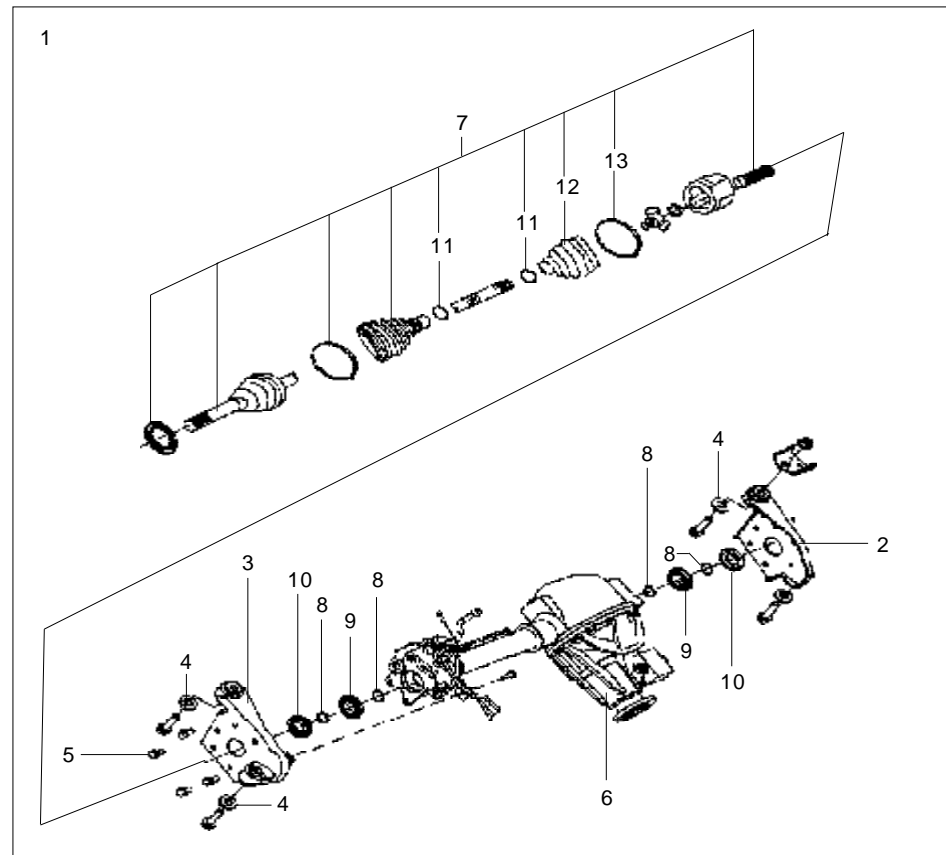
106



 每天进步一点点

四驱前驱动桥总成(F1) 4WD FRONT DRIVE AXLE ASSEMBLY(F1)

108



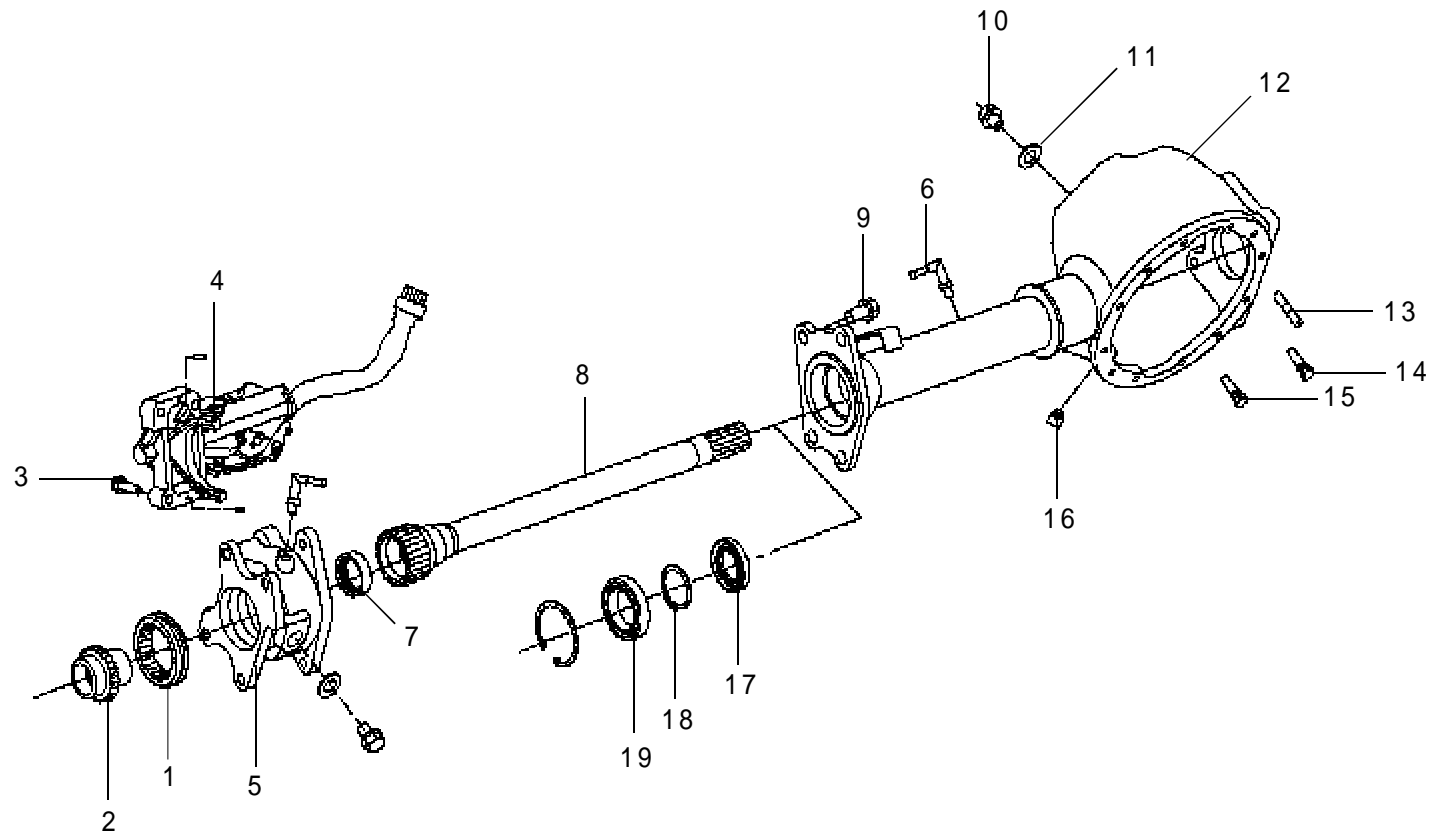
四驱前驱动桥总成(F1) 4WD FRONT DRIVE AXLE ASSEMBLY(F1)


序号 S/N	零部件代号 PART CODE	零部件名称 PART NAME	用量 QTY	适用车型 VEHICLE APPLICABLE TO	备注 REMARK
1	2300100-F01-B1	前驱动桥总成 FRONT DRIVE AXLE ASSEMBLY	1	F01 F05	
2	2303320-K01	右前驱吊架总成 FRONT DRIVE AXLE HANGER ASSEMBLY,RH	1		
3	2303310-K01	左前驱吊架总成 FRONT DRIVE AXLE HANGER ASSEMBLY,LH	1		
4	2300015-K01	衬套垫片 BUSHING GASKET	4		
5	2300017-K01	螺栓-紧固吊板 BOLT,HANGING PLATE	8		
6	2302100-K01	前减速器及差速器总成 FRONT DIFFERENTIAL&REDUCER ASSEMBLY	1		
7	2303390-K01	等速驱动轴总成 CONSTANT VELOCITY DRIVE SHAFT ASSEMBLY	2		
8	2303301-K01	卡簧 SNAP SPRING	4		
9	6006E-RSN	万向节轴承 UNIVERSAL JOINT BEARING	2		
10	2303380-K01	等速驱动轴油封 CONSTANT VELOCITY DRIVE SHAFT OIL SEAL	2		
11	2303394-K01	小夹箍 -等速驱动轴 BIG CLAMP , CONSTANT VELOCITY DRIVE SHAFT	2		
12	2303392-K01	护套-等速驱动轴移动节 SLEEVE, CONSTANT VELOCITY DRIVE SHAFT	2		
13	2303393-K01	大夹箍-等速驱动轴移动节 BIG CLAMP , CONSTANT VELOCITY DRIVE SHAFT	2		



前桥壳及半轴(F1) FRONT AXLE CASING AND AXLE SHAFT(F1)

110

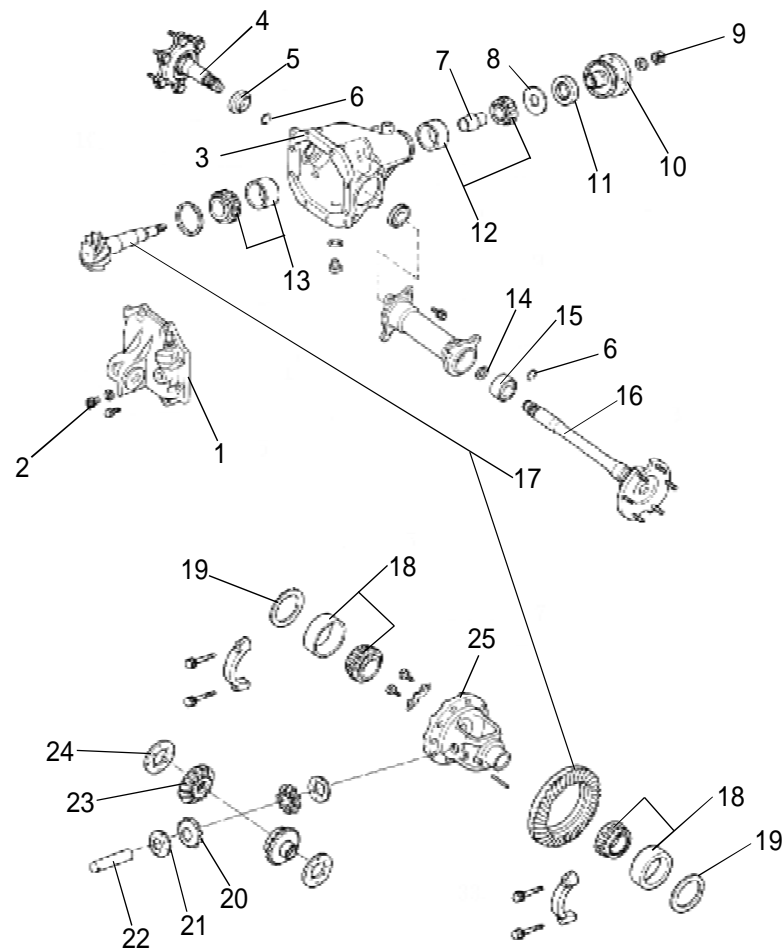


 每天进步一点点

前桥壳及半轴(F1) FRONT AXLE CASING AND AXLE SHAFT(F1)

序号 S/N	零部件代号 PART CODE	零部件名称 PART NAME	用量 QTY	适用车型 VEHICLE APPLICABLE TO	备注 REMARK
1	2310013-K01	分离器拨叉套 SEPARATOR SHIFTING FORK SLEEVE	1	F01 F05	
2	2310012-K01	分离器机械轮 SEPARATOR MECHANICAL GEAR	1		
3	2310014-K01	螺栓-紧固电控拨叉 BOLT, ELECTRIC FORK	4		
4	2310100-K01	电控拨叉总成 ELECTRIC FORK ASSEMBLY	1		
5	2310011-K01	分离器壳 SEPARATOR HOUSING	1		
6	2300013-K01	前桥通气管接头 AIR VENTILATION JOINT,FRONT AXLE	1		
7	HK374312-K01	滚针轴承-长半轴 NEEDLE ROLLER BEARING,AXLE SHAFT (LONG)	1		
8	2303201-K01	长半轴 AXLE SHAFT (LONG)	1		
9	2300023-K01	螺栓-紧固分离器壳 BOLT, FIXING SEPARATOR HOUSING	4		
10	2400011-D01	加油塞 FILLING PLUG	1		
11	2400012-D01	垫圈 WASHER	1		
12	2301100-K01	前桥壳总成 FRONT AXLE HOUSING ASSEMBLY	1		
13	2300018-K01	双头螺柱 DOUBLE END STUD,FRONT AXLE HOUSING	2		
14	2300022-K01	短螺栓-紧固前减速器壳 SHORT BOLT, FIXING REDUCER HOUSING	6		
15	2300021-K01	中螺栓-紧固前减速器壳 MIDDLE BOLT, FIXING REDUCER HOUSING	2		
16	2301105-K01	放油塞 OIL DRAIN PLUG	1		
17	2300300-K01	前驱动半轴油封 AXLE SHAFT OIL SEAL,FRONT DRIVE	1		
18	2303202-K01	卡簧一 SNAP RING NO.1	1		
19	6908	长半轴外轴承 OUTER BEARING,AXLE SHAFT(LONG)	1		

前桥减速器及差速器总成 FRONT REDUCER AND DIFFERENTIAL ASSEMBLY



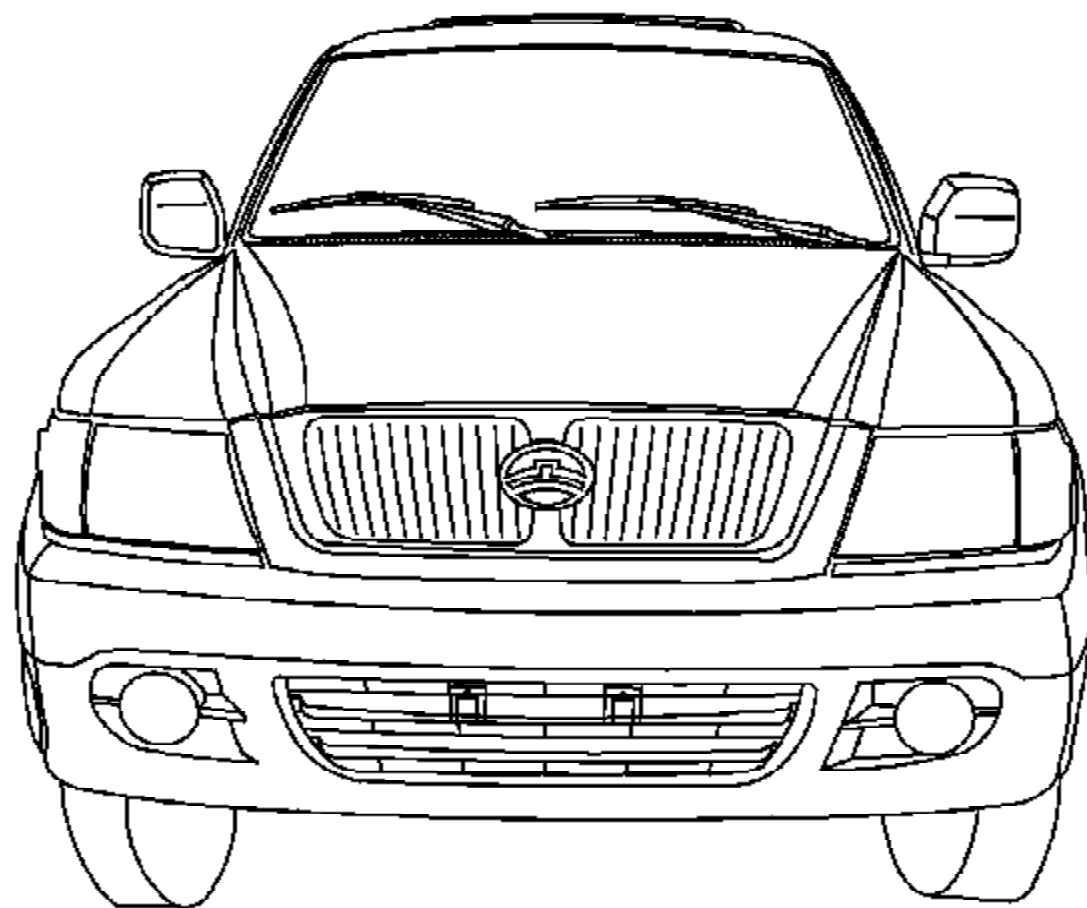
前桥减速器及差速器总成 FRONT REDUCER AND DIFFERENTIAL ASSEMBLY

序号 S/N	零部件代号 PART CODE	零部件名称 PART NAME	用量 QTY	适用车型 VEHICLE APPLICABLE TO	备注 REMARK
	2302000-F01	前减速器及差速器总成 FRONT REDUCER & DIFFERENTIAL ASSEMBLY	1	F01 F03	
1	2302030-F01	前减速器壳盖总成 FRONT REDUCER HOUSING ASSEMBLY	1		
2	2300011-F01	加油塞螺栓 BOLT,FILLING PLUG	1		
3	2302020-F01	前减速器壳与压盖总成 HOUSING & PLATE ASSEMBLY,FRONT REDUCER	1		
4	2303012-F01	前短半轴 FRONT SHORT HALF SHAFT	1		
5	2303020-F01	前半轴油封 OIL SEAL, FRONT AXLE SHAFT	2		
6	2303015-F01	前半轴卡环 SNAP RING, FRONT AXLE SHAFT	2		
7	2302016-F01	主动锥齿轮轴承隔套 SPACER, DRIVE BEVEL GEAR BEARING	1		
8	2302014-F01	主动锥齿轮油封挡油盘 OIL RETAINING DISK-DRIVE ANGLE GEAR OIL CAPING	1		
9	2302015-F01	主动锥齿轮突缘螺母 NUT, DRIVE BEVEL GEAR FLANGE	1		
10	2302060-F01	主动锥齿轮突缘及挡尘罩总成 FLANGE & DUST COVER ASSEMBLY,DRIVE BEVEL GEAR	1		
11	2302050-F01	主动锥齿轮油封 OIL SEAL, DRIVE BEVEL GEAR	1		
12	31306	圆锥滚子轴承 TAPER ROLLER BEARING	1		
13	32307	圆锥滚子轴承 TAPER ROLLER BEARING	1		
14	Q43136	轴用弹性挡圈 RETAINER SPRING,SHAFT	1		
15	B36Z-10	深沟球轴承 GROOVED BALL BEARING	1		
16	2303011-F01	前长半轴 FRONT LONG HALF SHAFT	1		
17	2302070-F01	主从动锥齿轮总成 DRIVE & DRIVEN BEVEL GEAR ASSEMBLY	1		
18	50KB801	圆锥滚子轴承 TAPER ROLLER BEARING	2		

前桥减速器及差速器总成
FRONT REDUCER AND DIFFERENTIAL ASSEMBLY

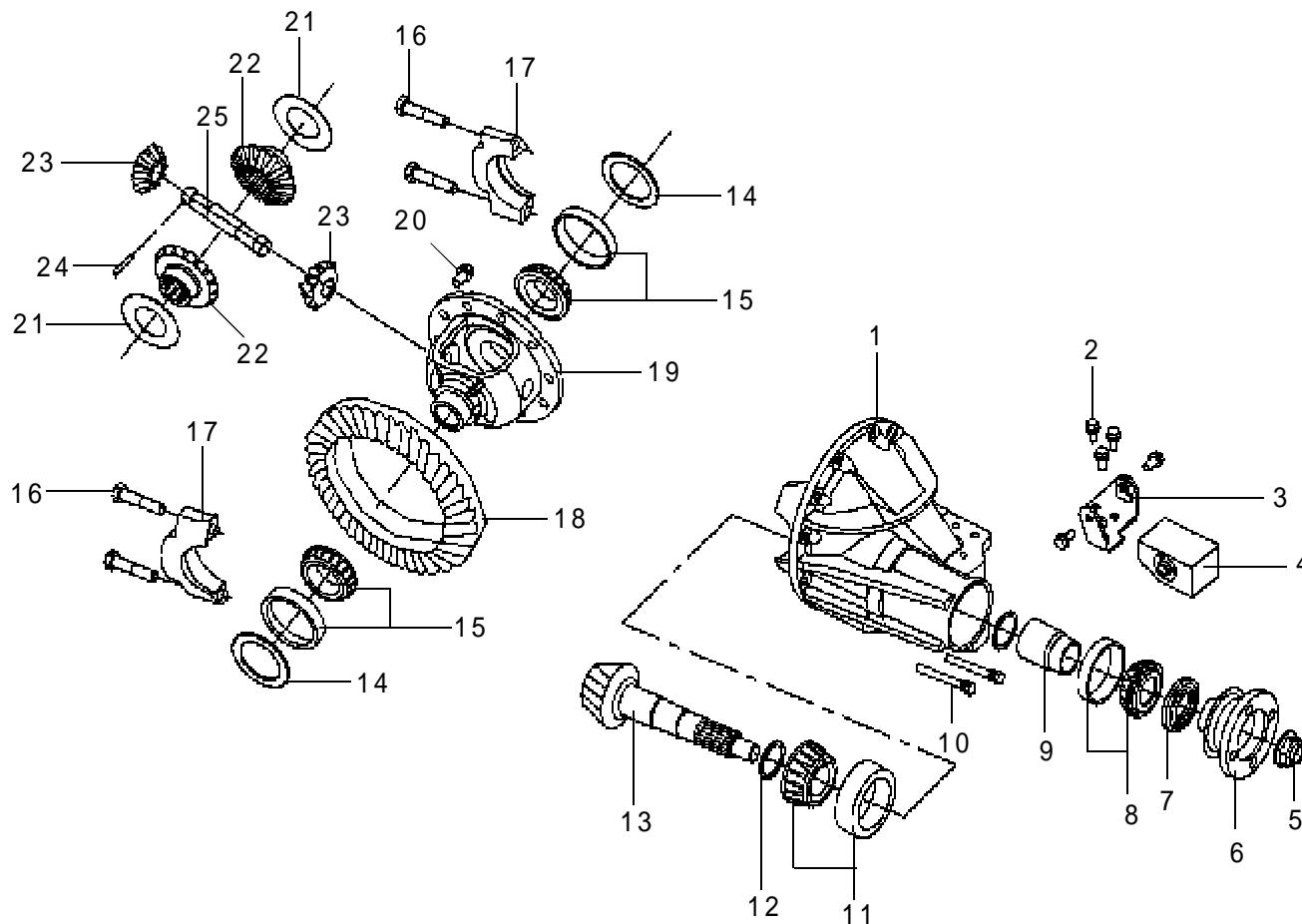
序号 S/N	零部件代号 PART CODE	零部件名称 PART NAME	用量 QTY	适用车型 VEHICLE APPLICABLE TO	备注 REMARK
19	2302017-F01	差速器轴承调整垫片 ADJUSTING SHIM, DIFFERENTIAL BEARING	2	F01 F03	
20	2303034-F01	行星齿轮 PLANETARY GEAR	2		
21	2303035-F01	行星齿轮止动垫片 TRUST GASKET,PLANETARY GEAR	2		
22	2303036-F01	行星齿轮轴 PLANETARY GEAR SHAFT	1		
23	2303032-F01	半轴齿轮 AXLE SHAFT GEAR	2		
24	2303033-F01	半轴齿轮止推垫圈 THRUST WASHER, AXLE SHAFT	2		
25	2303031-F01	前差速器壳 FRONT DIFFERENTIAL HOUSING	1		





前桥减速器及差速器总成(F1)

FRONT REDUCER AND DIFFERENTIAL ASSEMBLY(F1)



前桥减速器及差速器总成(F1)
FRONT REDUCER AND DIFFERENTIAL ASSEMBLY(F1)

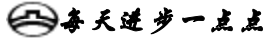
序号 S/N	零部件代号 PART CODE	零部件名称 PART NAME	用量 QTY	适用车型 VEHICLE APPLICABLE TO	备注 REMARK
1	2302105-K01-B1	前减速器壳 HOUSING & PLATE ASSEMBLY,FRONT REDUCER	1	F01 F05	
2	2300012-K01	螺栓 - 配重块支架 BOLT - BALANCE WEIGHT BRACKET	6		
3	2300101-K01	配重块支架 - 前减壳 BALANCE WEIGHT BRACKET, FRONT REDUCER HOUSING	1		
4	2300200-K01	配重块及轴套总成 BALANCE WEIGHT & BUSHING ASSEMBLY	1		
5	2302101-K01	螺母 - 紧固主动锥齿轮 NUT, FIXING DRIVE BEVEL GEAR	1		
6	2302122-K01	突缘 - 前驱主动锥齿轮 FLANGE ,DRIVE BEVEL GEAR, FRONT DRIVE AXLE	1		
7	2302130-K01	油封 - 前驱主动锥齿轮 OIL SEAL, DRIVE BEVEL GEAR,FRONT DRIVE AXLE	1		
8	30306C	小轴承 - 主动锥齿轮 BEARING,DRIVE BEVEL GEAR (SMALL)	1		
9	2302102-K01	隔套 - 主动锥齿轮轴承 SPACER, DRIVE BEVEL GEAR BEARING	1		
10	2300019-K01	长螺栓 - 紧固减速器壳 LONG BOLT, FIXING REDUCER HOUSING	2		
11	32307BC	大轴承 - 主动锥齿轮 LARGE BEARING ,DRIVE BEVEL GEAR	1		
12	2402029-D01	调整垫圈 - 主动锥齿轮 SPACER, DRIVE BEVEL GEAR	选 2		
13	2302141-K01	主动锥齿轮 DRIVE BEVEL GEAR	1		
14	2302104-K01	调整插片 - 前差速器轴承 ADJUSTING PLUG BLADE, FRONT DIFFERENTIAL BEARING	2		
15	LM501349Y/10	轴承 - 前差速器壳 BEARING,FRONT DIFFERENTIAL HOUSING	2		
16	2302107-K01	螺栓 - 紧固差速器轴承压盖 BOLT, FIXING DIFFERENTIAL BEARING CAP	4		
17	2302106-K01	压盖 - 差速器轴承 CAP, DIFFERENTIAL BEARING	2		
18	2302142-K01	从动锥齿轮 DRIVEN BEVEL GEAR	1		
19	2303101-K01	前差速器壳 FRONT DIFFERENTIAL HOUSING	1		

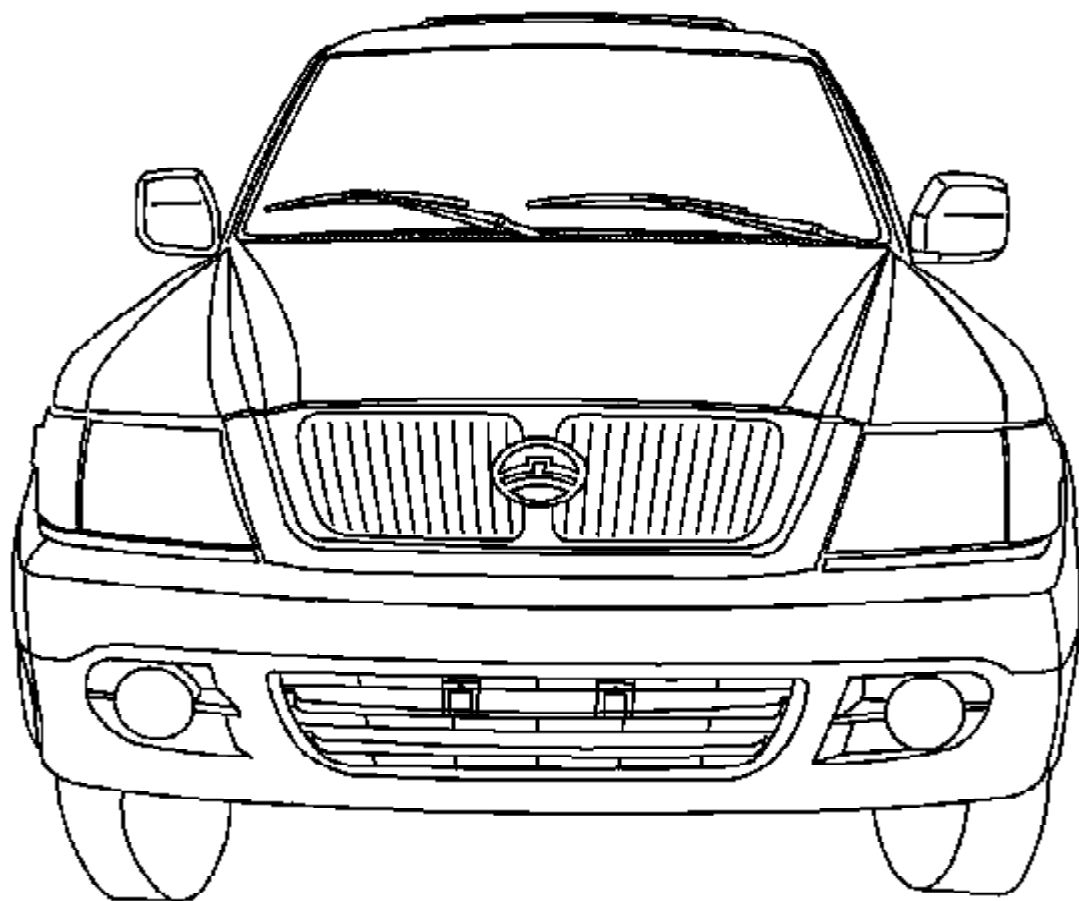
前桥减速器及差速器总成(F1)

FRONT REDUCER AND DIFFERENTIAL ASSEMBLY(F1)

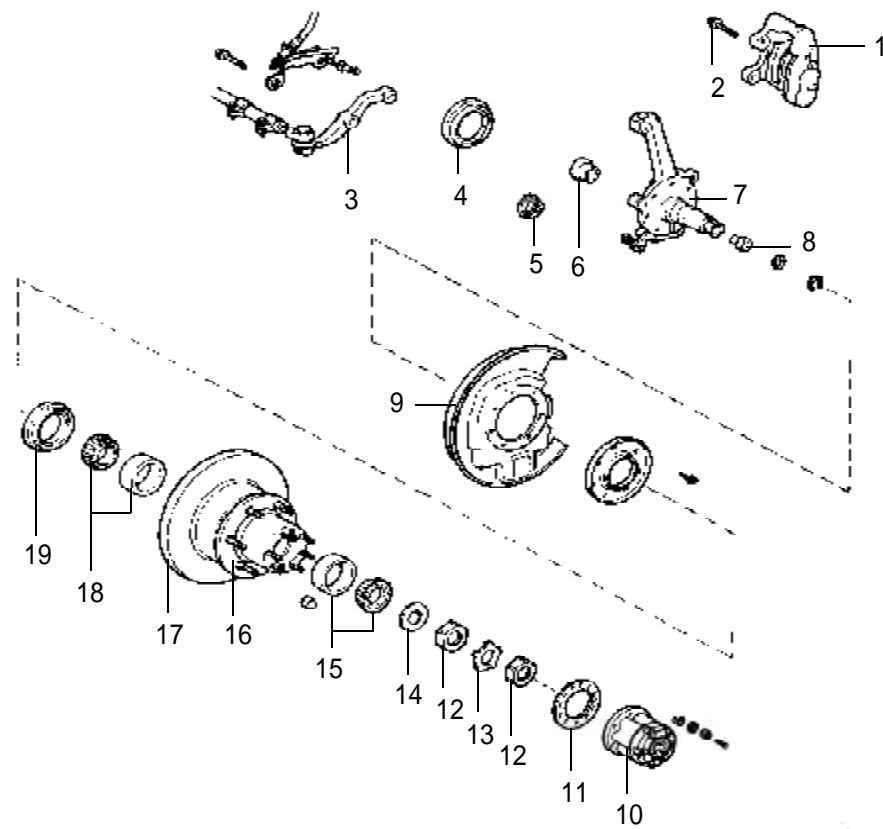
序号 S/N	零部件代号 PART CODE	零部件名称 PART NAME	用量 QTY	适用车型 VEHICLE APPLICABLE TO	备注 REMARK
20	2302103-K01	螺栓 - 紧固从动锥齿轮 BOLT, FIXING DRIVEN BEVEL GEAR	10	F01 F05	
21	2303106-K01	半轴齿轮止推片 THRUST WASHER ,AXLE SHAFT GEAR	2		
22	2303102-K01	半轴齿轮 AXLE SHAFT GEAR	2		
23	2303103-K01	行星齿轮 PLANETARY GEAR	2		
24	2303105-K01	圆柱销 - 行星齿轮轴 CYLINDRICAL PIN, PLANETARY-GEAR SHAFT	1		
25	2303104-K01	行星齿轮轴 PLANETARY GEAR SHAFT	1		

118





前轴毂和转向节 FRONT WHEEL HUB AND STEERING KNUCKLE



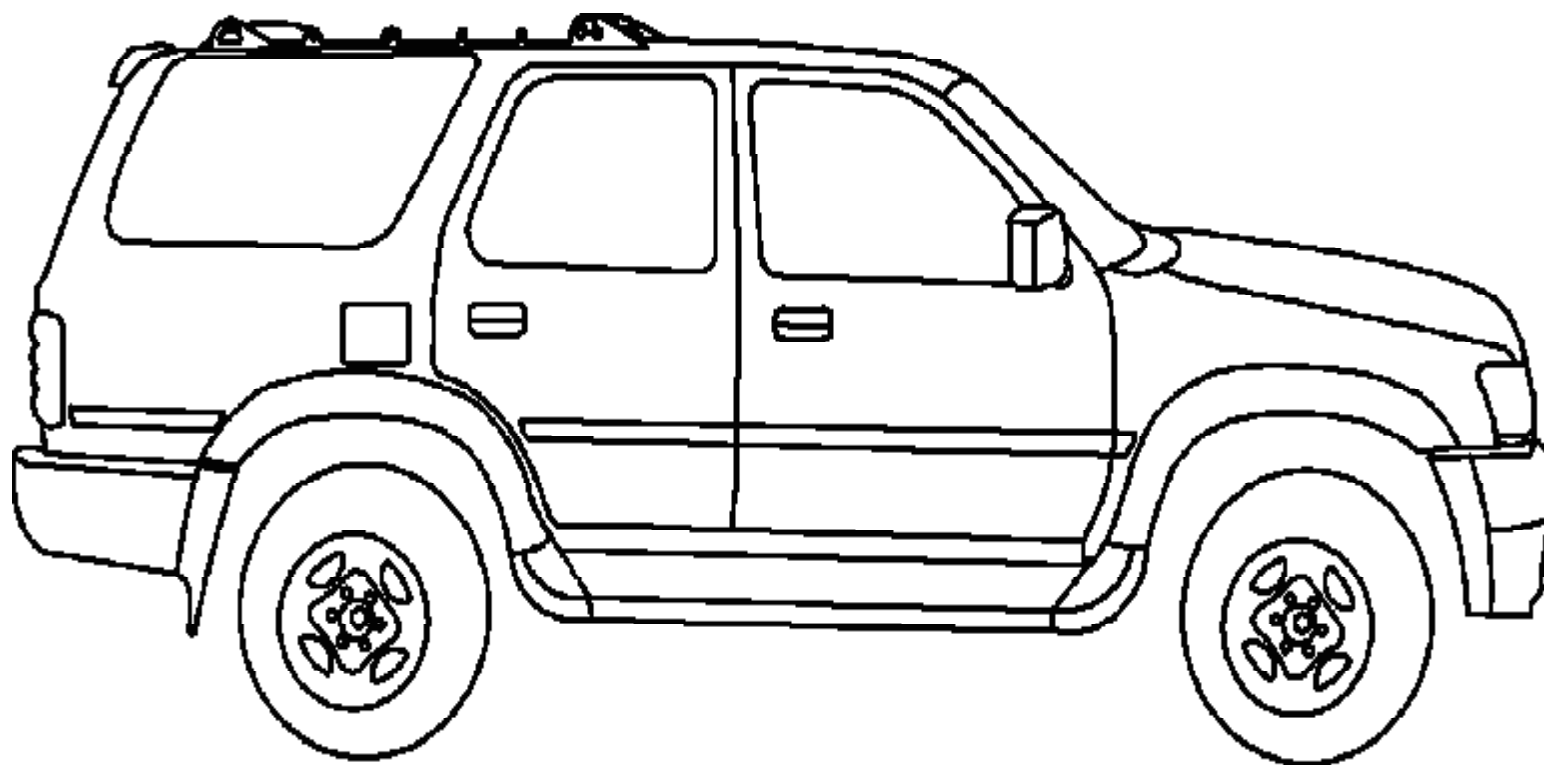
前轴毂和转向节 FRONT WHEEL HUB AND STEERING KNUCKLE

序号 S/N	零部件代码 PART CODE	零部件名称 PART NAME	用量 QTY	适用车型 VEHICLE APPLICABLE TO	备注 REMARK	
	3001010-F00	左转向节及轮毂制动器装配总成 LEFT STEERING KNUCKLE & WHEEL BRAKE ASSEMBLY	1	F00 F02		
	3001020-F00	右转向节及轮毂制动器装配总成 RIGHT STEERING KNUCKLE & WHEEL BRAKE ASSEMBLY	1			
	3001010-F01-A1	左转向节及轮毂制动器装配总成 LEFT STEERING KNUCKLE & WHEEL BRAKE ASSEMBLY (NEEDLE ROLLER)	1	F01 F03	滚针	
	3001020-F01-A1	右转向节及轮毂制动器装配总成 RIGHT STEERING KNUCKLE & WHEEL BRAKE ASSEMBLY (NEEDLE ROLLER)	1		滚针	
1	3501100-F00	左制动钳总成 FRONT BRAKE CALIPER,LH	1	F00 F01 F02 F03		
	3501200-F00	右制动钳总成 FRONT BRAKE CALIPER, RH	1			
2	3501111-F00	钳体螺栓 BOLT,FRONT WHEEL CALIPER	2			M10×1.25×75
3	3001113-F00	左转向节臂 STEERING ARM, LH	1			
	3001114-F00	右转向节臂 STEERING ARM, RH	1			
4	3103110-F00	前轮毂油封 OIL SEAL,FRONT WHEEL HUB	2			
5	HK3016-F00	滚针轴承 NEEDLE BEARING	2			
6	3001304-F01	转向节大套 STEERING KNUCKLE BIG SET	2			
7	3001301-F01	左转向节 STEERING KNUCKLE,LH (4WD)	1		F01 F03	四驱
	3001301-F01-B1	左转向节 STEERING KNUCKLE,LH (4WD, IMPROVED COPPER SLEEVE)				四驱 改进铜套
	3001111-F00	左转向节 STEERING KNUCKLE,LH		F00 F02		
	3001302-F01	右转向节 STEERING KNUCKLE,RH (4WD)	1	F01 F03	四驱	
	3001302-F01-B1	右转向节 STEERING KNUCKLE,RH (4WD, IMPROVED COPPER SLEEVE)			四驱 改进铜套	
	3001112-F00	右转向节 STEERING KNUCKLE,RH		F00 F02		
8	3001303-F01	转向节小套 STEERING KNUCKLE SMALL SET	2	F01 F03		

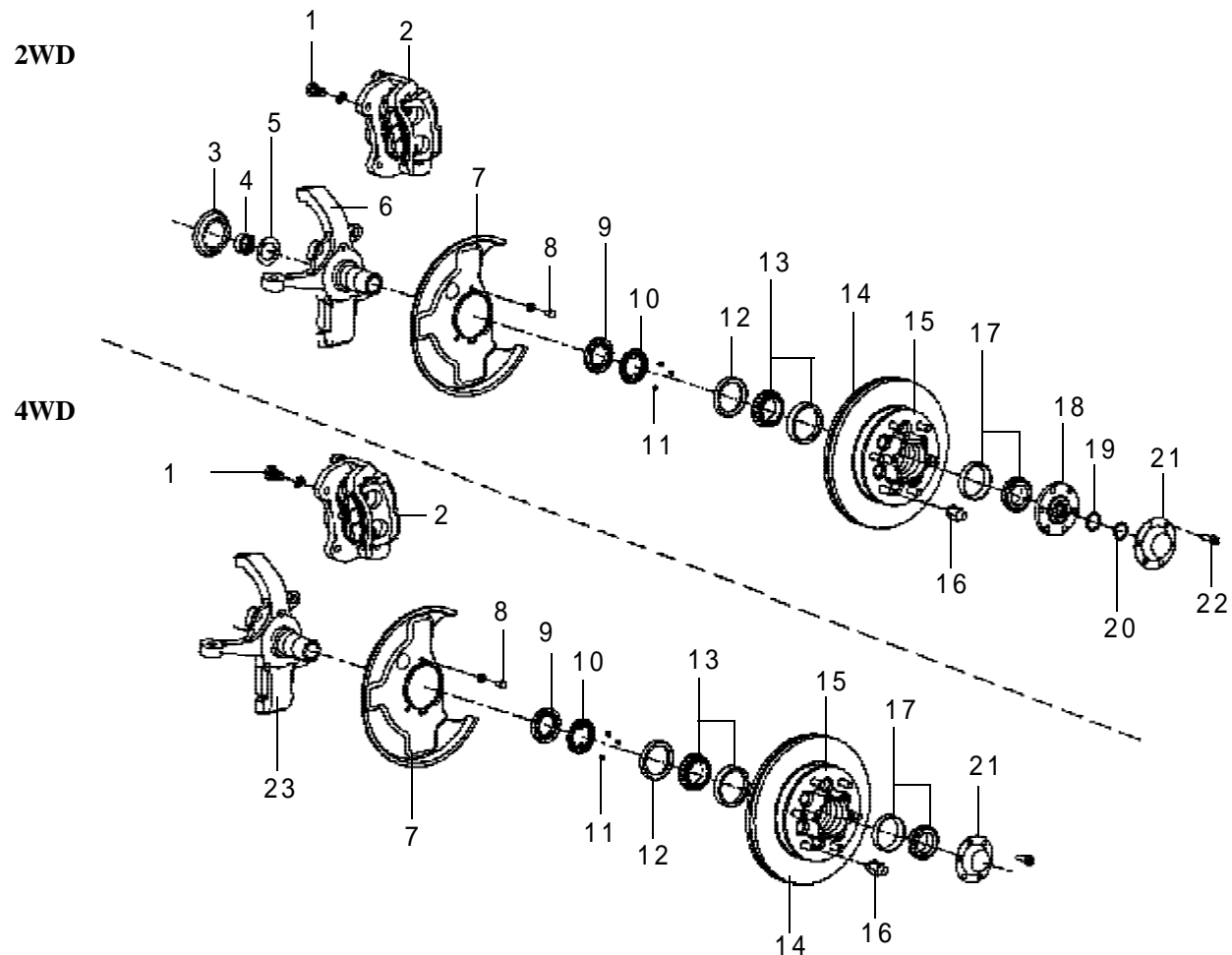
前轴毂和转向节 FRONT WHEEL HUB AND STEERING KNUCKLE

序号 S/N	零部件代码 PART CODE	零部件名称 PART NAME	用量 QTY	适用车型 VEHICLE APPLICABLE TO	备注 REMARK
9	3001130-F00	左制动盘罩壳总成 BRAKE DISC COVER ASSEMBLY,LH	1	F00 F01 F02 F03	
	3001140-F00	右制动盘罩壳总成 BRAKE DISC COVER ASSEMBLY,RH	1		
10	2310000-F00	自由轮毂总成 FREEWHEEL HUB ASSEMBLY	2	F01 F03	
11	3103105-F00	转向节外法兰盘衬垫 GASKET,STEERING KNUCKLE OUTER FLANGE	2	F00 F01 F02 F03	
12	3001102-F00	转向节大螺母 NUT,STEERING KNUCKLE (BIG)	4		
13	3001101-F00	转向节外轴承止动垫圈 THRUST WASHER, OUTER BEARING, STEERING KNUCKLE	2		
14	3001103-F00	转向节大螺母锁片 LOCKING PIECE, STEERING KNUCKLE BIG NUT	2		
15	LM102949/10	前轮毂外轴承 OUTER BEARING,FRONT WHEEL HUB	2		
16	3103101-F00	前轮轮毂 FRONT WHEEL HUB	2		
17	3103103-F00	前制动盘 FRONT BRAKE DISC	2		
18	JLM104948/10	前轮毂内轴承 INNER BEARING,FRONT WHEEL HUB	2		
19	3001170-F00	前轮毂防尘罩 DUST COVER, FRONT WHEEL HUB	2		





前轴毂和转向节(F1) FRONT WHEEL HUB AND STEERING KNUCKLE(F1)

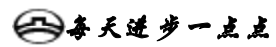


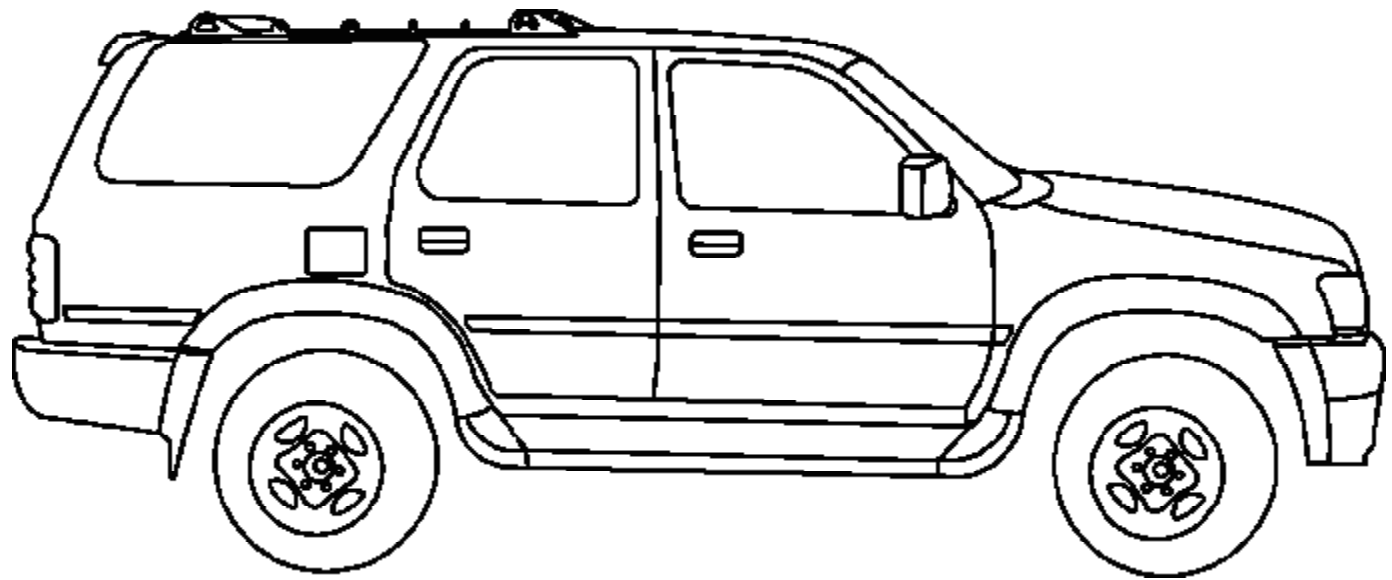
前轴毂和转向节(F1) FRONT WHEEL HUB AND STEERING KNUCKLE(F1)

序号 S/N	零部件代号 PART CODE	零部件名称 PART NAME	用量 QTY	适用车型 VEHICLE APPLICABLE TO	备注 REMARK	
1	3001101-K00	紧固制动钳螺栓 BOLT, FIXING BRAKE CALIPER	4	F00 F01 F04 F05		
2	3501100-K00	左前制动钳总成 FRONT BRAKE CALIPER,LH	1			
	3501200-K00	右前制动钳总成 FRONT BRAKE CALIPER,RH	1			
3	3001130-K01	油封 - 转向节 OIL SEAL, STEERING KNUCKLE	2	F01 F05		
4	HK3016-00	滚针轴承-转向节 NEEDLE ROLLER BEARING, STEERING KNUCKLE	2			
5	3001113-K01	止推片 - 转向节 THRUST WASHER, STEERING KNUCKLE	2			
6	3001111-K01-B1	左转向节 STEERING KNUCKLE,LH	1			
	3001112-K01-B1	右转向节 STEERING KNUCKLE,RH	1			
7	3001113-K00-B1	左前制动器罩壳 BRAKE HOUSING,FRONT,LH	1		F00 F01 F04 F05	
	3001114-K00-B1	右前制动器罩壳 BRAKE HOUSING,FRONT,RH	1			
8	3001115-K00-B1	螺栓 - 前制动器罩壳 BOLT, FRONT BRAKE HOUSING	6			
9	3001102-K00	锁紧螺母 - 转向节轴承 NUT,STEERING KNUCKLE BEARING	2			
10	3001103-K00	止动挡圈 - 锁紧螺母 NUT,THRUST RING, STEERING KNUCKLE	2			
11	3001104-K00	螺钉 - 止动挡圈 SCREW, THRUST RING	6			
12	3103110-K00	前轮毂油封总成 OIL SEAL ASSEMBLY,FRONT WHEEL HUB	2			
13	XAA32009X	内轴承 - 转向节 INNER BEARING, STEERING KNUCKLE	2			
14	3103102-K00	前制动盘 FRONT BRAKE DISC	2			
15	3103101-K00	前轮轮毂 FRONT WHEEL HUB	2			
16	3103104-K00	车轮螺母 WHEEL NUT	12			
17	32008X	外轴承 - 转向节 OUTER BEARING,STEERING KNUCKLE	2			
18	3001101-K01	前驱动轴法兰盘 FRONT DRIVE SHAFT FLANGE	2	F01 F05		
19	2300014-K01	调节垫圈 ADJUSTING WASHER	按需			

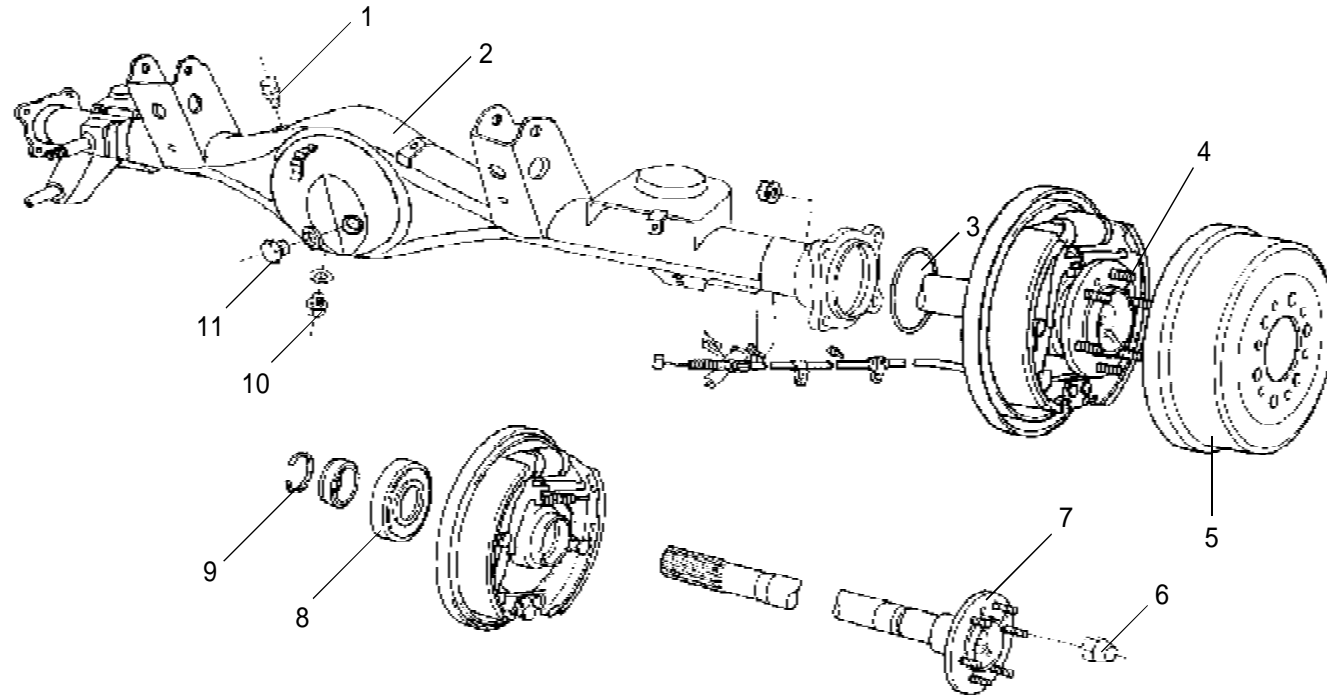
前轴毂和转向节(F1) FRONT WHEEL HUB AND STEERING KNUCKLE(F1)

序号 S/N	零部件代号 PART CODE	零部件名称 PART NAME	用量 QTY	适用车型 VEHICLE APPLICABLE TO	备注 REMARK
20	2300011-K01	卡簧 SNAP SPRING	2	F01 F05	
21	3001107-K00	前轮毂盖 FRONT WHEEL HUB COVER	2	F00 F01 F04 F05	
22	3001102-K01	前驱动轴法兰盘螺钉 SCREW,FRONT DRIVE SHAFT FLANGE	12	F01 F05	
23	3001111-K00-B1	左转向节 STEERING KNUCKLE,LH	1	F00 F04	
	3001112-K00-B1	右转向节 STEERING KNUCKLE,RH	1		





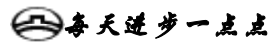
后桥总成 REAR AXLE ASSEMBLY



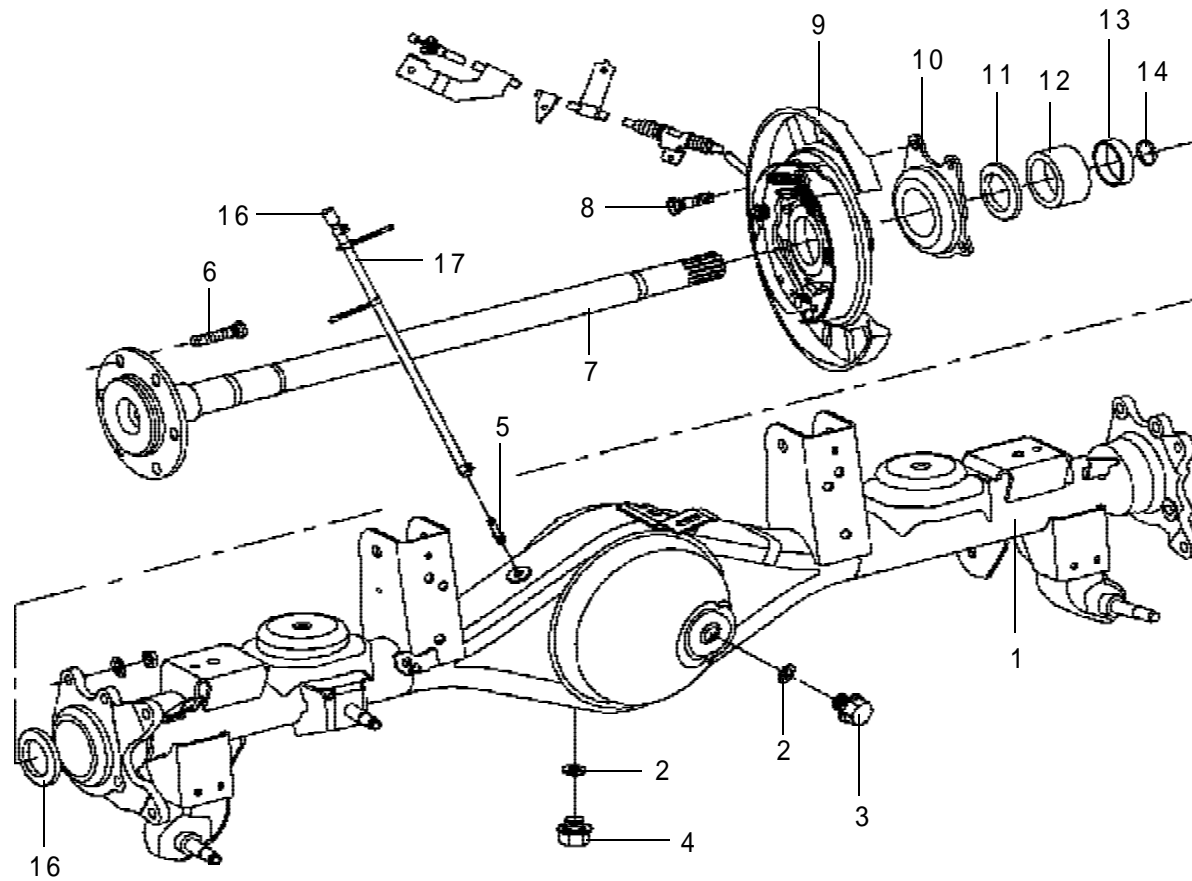
128

后桥总成 REAR AXLE ASSEMBLY

序号 S/N	零部件代号 PART CODE	零部件名称 PART NAME	用量 QTY	适用车型 VEHICLE APPLICABLE TO	备注 REMARK
	240000-F00-A1	后桥总成 REAR AXLE ASSEMBLY (INSTRUMENT PANEL HAND BRAKE)	1	F00 F01	前置手刹
	240000-F00-B1	后桥总成 REAR AXLE ASSEMBLY (INVOLUTE SPLINE, CONSOLE HAND BRAKE)			渐开线花键 中置手刹
1	240030-D01	通气塞总成 BREATHER VALVE ASSEMBLY	1	F00 F01 F02 F03	
2	240100-F00	后桥壳总成 REAR AXLE HOUSING ASSEMBLY	1		
3	2403107-D01	O 型橡胶密封圈 O-RING	2		
4	2403114-F00	车轮螺栓 WHEEL BOLT	12		
5	3502011-F00	后制动鼓 REAR BRAKE DRUM	2		
6	2403113-D01	车轮螺母 WHEEL NUT (RIGHT HANDED ROTATION)	12		右旋
7	2403101-F00	半轴 AXLE SHAFT (STRAIGHT-SIDED SPLINE)	2	F02 F03	矩形花键
	2403101-F00-B1	半轴 AXLE SHAFT (INVOLUTE SPLINE)		F00 F01	渐开线花键
8	4G180308	深沟球轴承 GROOVED BALL BEARING(AXLE SHAFT BEARING)	2	F00 F01 F02 F03	半轴轴承
9	2403106-D01	轴承用压扁钢丝挡圈 RETAINER RING ,SHAFT	1		
10	2400020-D01	放油塞总成 OIL DRAIN PLUG ASSEMBLY	1		
11	2400011-D01	加油塞 FILLING PLUG	1		



后桥总成(F1) REAR AXLE ASSEMBLY(F1)

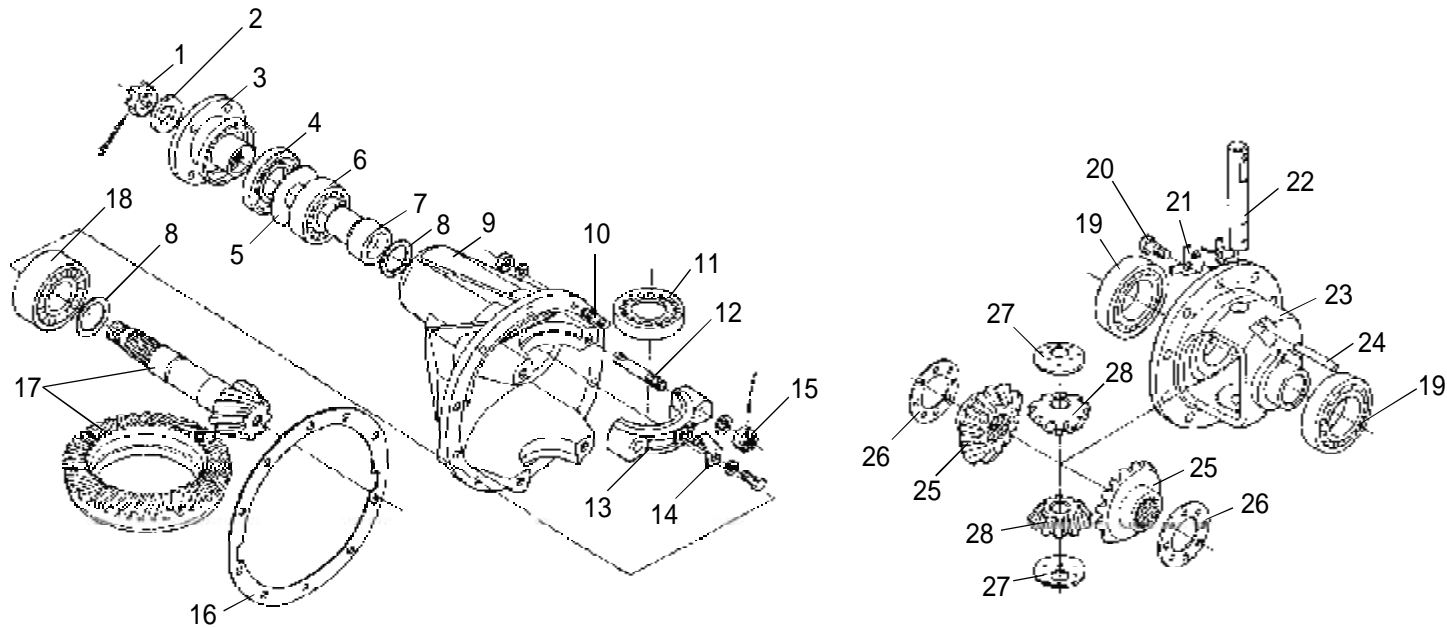


后桥总成(F1) REAR AXLE ASSEMBLY(F1)

序号 S/N	零部件代号 PART CODE	零部件名称 PART NAME	用量 QTY	适用车型 VEHICLE APPLICABLE TO	备注 REMARK
	2400100-F00-C1	后桥总成 REAR AXLE ASSEMBLY	1	F00 F04	
	2400100-F01	后桥总成 REAR AXLE ASSEMBLY	1	F01 F05	
1	2401000-K00	后桥壳总成 REAR AXLE HOUSING ASSEMBLY	1	F00 F01 F04 F05	
2	2400012-D01	垫圈 WASHER	2		
3	2400011-D01	加油塞总成 FILLING PLUG ASSEMBLY	1		
4	2400020-D01	放油塞总成 DRAIN PLUG ASSEMBLY	1		
5	2400112-K00	通气阀固定螺栓 BOLT, FIXING BREATHER VALVE	1		
6	2403102-K00	后车轮螺栓 REAR WHEEL BOLT	12		M12×1.25×42.5
7	2403101-K00	后桥半轴 REAR AXLE SHAFT	2		渐开线花键 Involute Spline
8	3507011-K00	安装驻车制动器螺栓 BOLT, PARKING BRAKE	4		
9	3507100-K00	左驻车制动器总成 PARKING BRAKE ASSEMBLY, LH	1		
	3507200-K00	右驻车制动器总成 PARKING BRAKE ASSEMBLY, RH	1		
10	2403103-K00	后桥油封压紧座 OIL SEAL PRESSURE SEAT, REAR AXLE	2		
11	2403110-K00	后轴承外油封总成 OUTER OIL SEAL ASSEMBLY, REAR BEARING	2		
12	T407237	双列圆锥滚子轴承 DOUBLE-ROW TAPERED ROLLER BEARING	2		T407237
13	2403105-D01	后轮轴承内油封座 INNER OIL SEAL SEAT, REAR WHEEL BEARING	2		
14	2403106-K00	轴用压扁钢丝挡圈 RETAINER RING, SHAFT	2		GB/T894.1/40
15	2400100-K00	通气阀装配总成 BREATHER VALVE ASSEMBLY	1		
16	2400200-K00	后轴承内油封总成 INNER OIL SEAL ASSEMBLY, REAR BEARING	2		
17	2400101-K00	软管 - 通气阀 HOSE, VENTILATION VALVE	1		

后桥减速器及差速器总成 REAR REDUCER AND DIFFERENTIAL ASSEMBLY

132



后桥减速器及差速器总成 REAR REDUCER AND DIFFERENTIAL ASSEMBLY

序号 S/N	零部件代号 PART CODE	零部件名称 PART NAME	用量 QTY	适用车型 VEHICLE APPLICABLE TO	备注 REMARK	
	2402000-D01	减速器及差速器总成 REDUCER & DIFFERENTIAL ASSEMBLY, REAR ALXE (STRAIGHT-SIDED SPLINE)	1	F02 F03	矩形花键	
	2402000-D01-B1	减速器及差速器总成 REDUCER & DIFFERENTIAL ASSEMBLY, REAR ALXE (INVOLUTE SPLINE)		F00 F01	渐开线式花键	
1	2402024-D01	主动锥齿轮突缘螺母 NUT, DRIVE BEVEL GEAR FLANGE	1	F02 F03		
	2402024-D01-B1	主动锥齿轮突缘螺母 NUT, DRIVE BEVEL GEAR FLANGE		F00 F01 F04 F05		
2	2402025-D01	平垫圈-主动锥齿轮突缘螺母 PLAIN WASHER, FLANGE NUT, DRIVE BEVEL GEAR	1	F00 F01 F02 F03 F04 F05		
3	2402300-D01	主动锥齿轮突缘及挡尘罩总成 DRIVE BEVEL GEAR FLANGE & DUST COVER ASSEMBLY	1	F02 F03		
	2402300-D01-B1	主动锥齿轮突缘及挡尘罩总成 DRIVE BEVEL GEAR FLANGE & DUST COVER ASSEMBLY (INVOLUTE SPLINE)		F00 F01 F04 F05	渐开线花键	
4	2402200-D01	油封总成 - 主动锥齿轮 OIL SEAL ASSEMBLY, DRIVE BEVEL GEAR	1	F00 F01 F02 F03 F04 F05		
5	2402023-D01	挡油盘-主动锥齿轮油封 OIL RETAINER PAN, DRIVE BEVEL GEAR OIL SEAL	1			
6	30306	圆锥滚子轴承 TAPER ROLLER BEARING	1			
	32307	圆锥滚子轴承 TAPER ROLLER BEARING	1			
7	2402028-D01	隔套 - 主动锥齿轮轴承 SPACER, DRIVE BEVEL GEAR BEARING	1			
8	2402029-D01	调整垫圈-主动锥齿轮 ADJUSTING WASHER, DRIVE BEVEL GEAR	2			
9	2402002-D01	减速器外壳及压盖总成 HOUSING & PLATE ASSEMBLY, REDUCER	1			
	2402101-K00	减速器外壳 REDUCER HOUSING	1		F00 F01 F04 F05	
10	2402018-D01	长柱螺栓 - 减速器 STUD BOLT - REDUCER (LONG)	2		F00 F01 F02 F03 F04 F05	
	2402019-D01	短柱螺栓 - 减速器 STUD BOLT - REDUCER (SHORT)	8			
11	2402026-D01	调整环 ADJUSTING RING	2			

后桥减速器及差速器总成 REAR REDUCER AND DIFFERENTIAL GEAR ASSEMBLY

序号 S/N	零部件代号 PART CODE	零部件名称 PART NAME	用量 QTY	适用车型 VEHICLE APPLICABLE TO	备注 REMARK
12	2402013-D01	柱螺栓-紧固差速器轴承 STUD BOLT, FIXING DIFFERENTIAL BEARING		F00 F01 F02 F03 F04 F05	
13	2402102-D01	压盖 - 差速器轴承 PLATE, DIFFERENTIAL BEARING	2	F00 F01 F02 F03	
	2402102-K00	压盖 - 差速器轴承 PLATE, DIFFERENTIAL BEARING		F00 F01 F04 F05	
14	2402027-D01	止动片 - 调整环 THRUST GASKET, ADJUSTING RING	2	F00 F01 F02 F03 F04 F05	
15	2402014-D01	六角螺母 NUT	4		
16	2402031-D01	减速器壳垫密片 GASKET,REDUCER HOUSING	1		
17	2402100-D01	主从动锥齿轮总成 DRIVE & DRIVEN BEVEL GEAR ASSEMBLY (STRAIGHT-SIDED SPLINE)	1	F02 F03	矩形花键
	2402100-D01-B1	主从动锥齿轮总成 DRIVE & DRIVEN BEVEL GEAR ASSEMBLY (INVOLUTE SPLINE)		F00 F01	渐开线式花键
	2402201-K00	主动锥齿轮 DRIVE BEVEL GEAR	1	F00 F01 F04 F05	
	2402202-K00	从动锥齿轮 DRIVEN BEVEL GEAR	1		
18	32307	圆锥滚子轴承 32307 TAPER ROLLER BEARING	1	F00 F01 F02 F03 F04 F05	
19	32009	圆锥滚子轴承 TAPER ROLLER BEARING	2		
20	2402021-D01-B1	螺栓 - 紧固从动锥齿轮与差速器壳 BOLT, FIXING DRIVEN BEVEL GEAR AND DIFFERENTIAL HOUSING	10		
21	2402022-D01	锁片 - 从动锥齿轮螺栓 LOCK ING PIECE, DRIVEN BEVEL GEAR BOLT	5		
22	2403016-D01	行星齿轮轴 PLANETARY-GEAR SHAFT	1		
23	2403011-D01	差速器壳 DIFFERENTIAL HOUSING	1		
24	Q5220605	销 PIN	1		
25	2403012-D01	半轴齿轮 AXLE SHAFT GEAR (STRAIGHT-SIDED SPLINE)	2		F02 F03
	2403012-D01-B1	半轴齿轮 AXLE SHAFT GEAR (INVOLUTE TYPE)	2	F00 F01 F04 F05	渐开线式

134

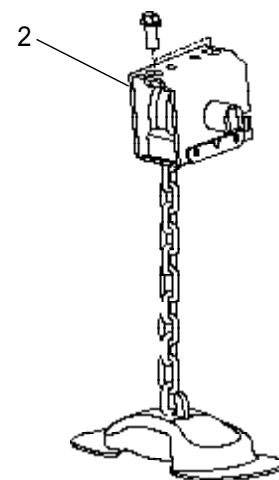
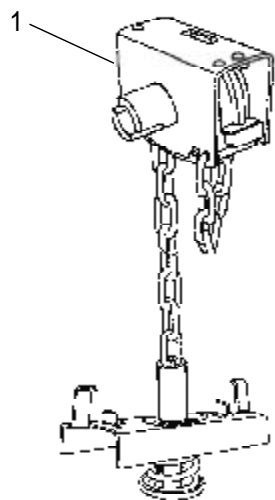
后桥减速器及差速器总成
REAR REDUCER AND DIFFERENTIAL GEAR ASSEMBLY

序号 S/N	零部件代号 PART CODE	零部件名称 PART NAME	用量 QTY	适用车型 VEHICLE APPLICABLE TO	备注 REMARK
26	2403013-D01	半轴齿轮止推垫片 THRUST WASHER,AXLE SHAFT	2	F00 F01 F02 F03 F04 F05	
27	2403015-D01	行星齿轮止动垫片 THRUST WASHER,PLANETARY-GEAR	2		
28	2403014-D01	行星齿轮 PLANETARY GEAR	2		



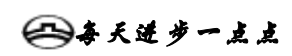
备胎升降器总成 SPARE TIRE REGULATOR ASSEMBLY

136

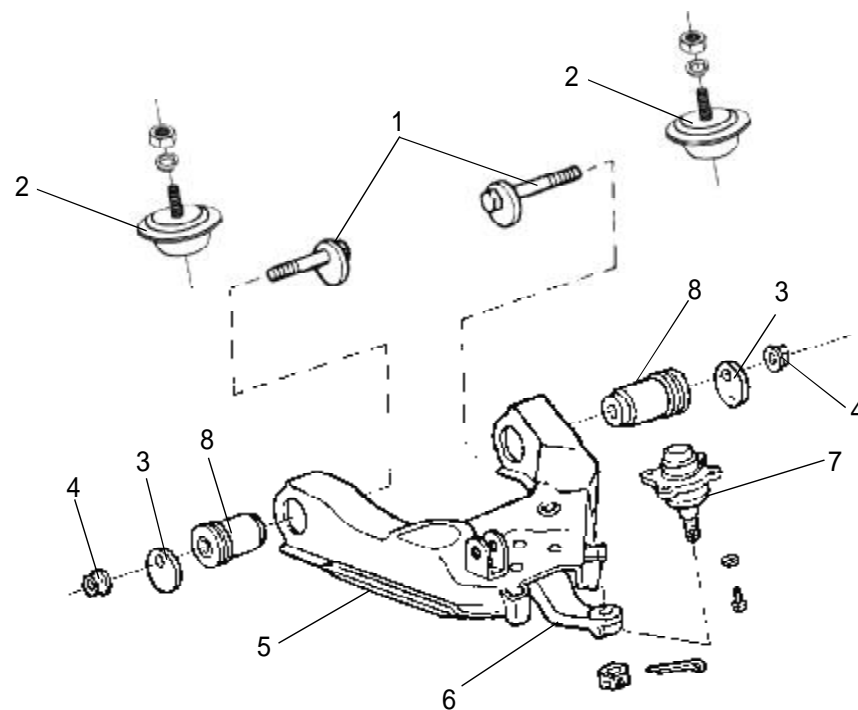


备胎升降器总成 SPARE TIRE REGULATOR ASSEMBLY

序号 S/N	零部件代号 PART CODE	零部件名称 PART NAME	用量 QTY	适用车型 VEHICLE APPLICABLE TO	备注 REMARK
1	3105100-F00	备胎升降器总成 SPARE TIRE REGULATOR ASSEMBLY	1	F00 F01 F02 F03	
2	3105100-F00-B1	备胎升降器总成 SPARE TIRE REGULATOR ASSEMBLY	1	F00 F01 F04 F05	



下摆臂总成 LOWER CONTROL ARM ASSEMBLY



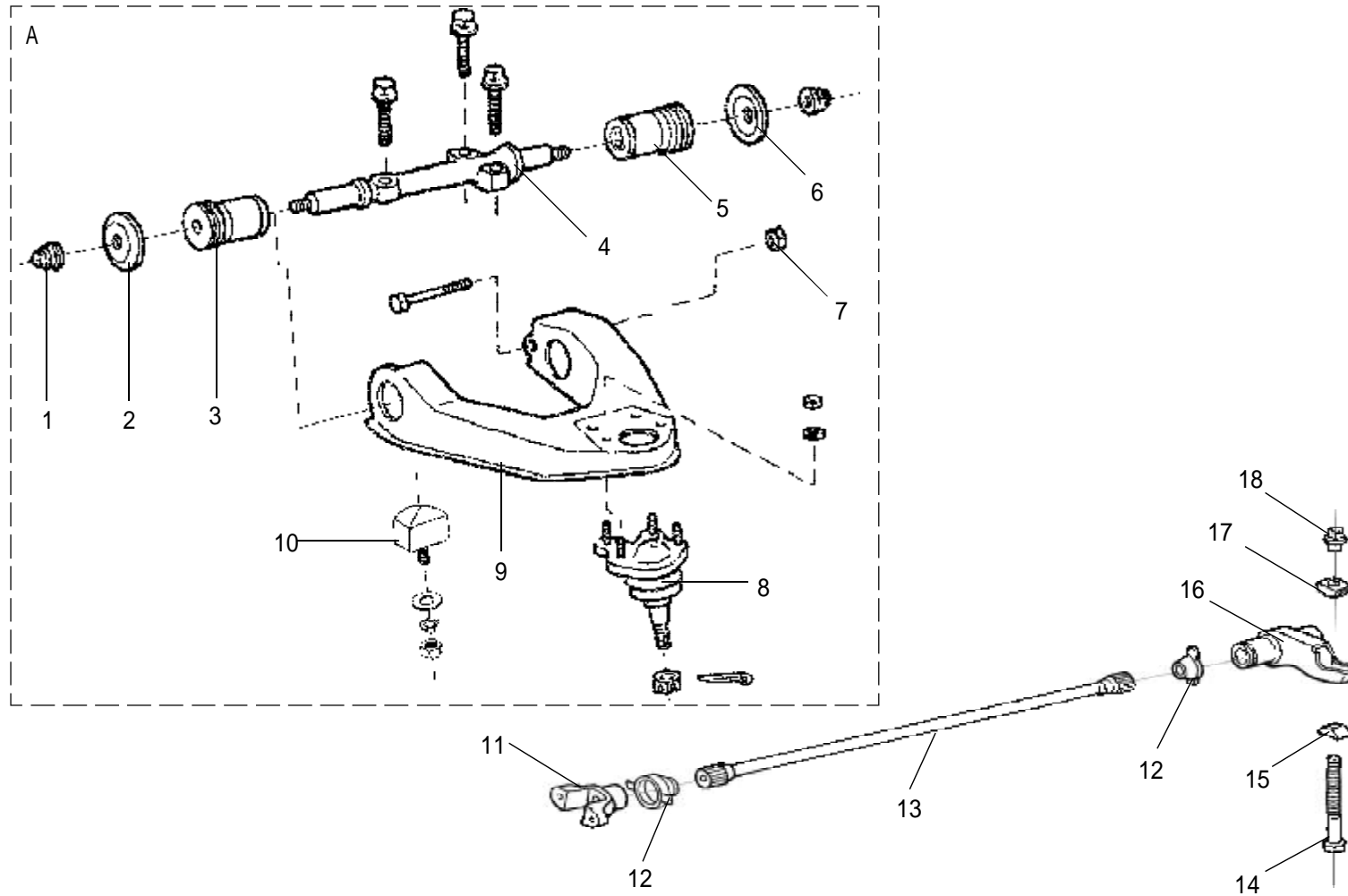
下摆臂总成 LOWER CONTROL ARM ASSEMBLY

序号 S/N	零部件代号 PART CODE	零部件名称 PART NAME	用量 QTY	适用车型 VEHICLE APPLICABLE TO	备注 REMARK	
	2904300-F00	左下摆臂装配总成 LOWER CONTROL ARM ASSEMBLY, LH	1	F00 F01 F02 F03		
	2904400-F00	右下摆臂装配总成 LOWER CONTROL ARM ASSEMBLY, RH	1			
1	2904340-F00	下臂轴螺栓总成 BOLT, LOWER CONTROL ARM SHAFT	4			
2	2904350-F00	下摆臂限位块总成 JOUNCE BUMPER, LOWER CONTROL ARM	4			
3	2904343-F00	下臂轴偏心外垫 OFFSET OUTSIDE WASHER- LOWER CONTROL ARM SHAFT	2			
4	2904342-F00	下臂轴螺母 NUT, LOWER CONTROL ARM SHAFT	4			
5	2904310-F00	左下摆臂焊接总成 LOWER CONTROL ARM WELDMENT ASSEMBLY, LH	1			
	2904320-F00	右下摆臂焊接总成 LOWER CONTROL ARM WELDMENT ASSEMBLY, RH	1			
6	2904322-F00	下摆臂球销座 BALL STUD SEAT, LOWER CONTROL ARM	2			
7	3001150-F00	下球销总成 BALL STUD, LOWER ARM	2			
8	2904330-F00	下摆臂轴套及内管总成 BUSHING ASSEMBLY, LOWER CONTROL ARM	4			



上摆臂总成及扭杆 UPPER CONTROL ARM ASSEMBLY AND TORSION BAR

140



每天进步一点点

上摆臂总成及扭杆 UPPER CONTROLARM ASSEMBLY AND TORSION BAR

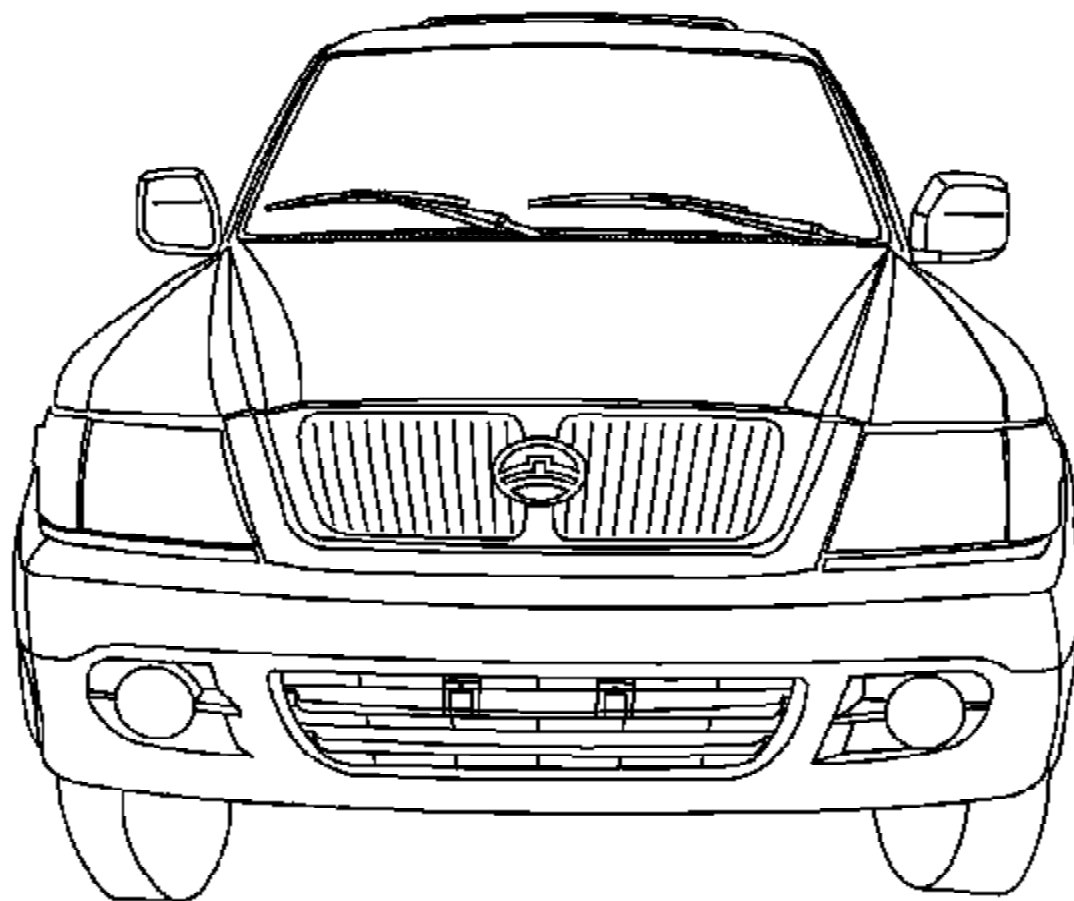
序号 S/N	零部件代号 PART CODE	零部件名称 PART NAME	用量 QTY	适用车型 VEHICLE APPLICABLE TO	备注 REMARK
A	2904100-F00	左上摆臂装配总成 UPPER CONTROL ARM ASSEMBLY, LH (WITHOUT BOLT)	1	F00 F01 F02 F03	不包括螺栓
	2904200-F00	右上摆臂装配总成 UPPER CONTROL ARM ASSEMBLY, RH (WITHOUT BOLT)	1		不包括螺栓
1	2904102-F00	上臂轴螺母 NUT,UPPER CONTROL ARM SHAFT	4		
2	2904106-F00	上臂轴胶套压紧垫 BUSHING PRESSUREING GASKET,UPPER CONTROL ARM (SMALL)	2		小
3	2904140-F00	上摆臂轴短轴套总成 UPPER CONTROL ARM SHAFT BUSHING, SHORT	2		
4	2904101-F00	上摆臂轴 UPPER CONTROL ARM SHAFT ASSEMBLY	2		
5	2904130-F00	上摆臂轴胶套及内管总成 BUSHING ASSEMBLY, UPPER CONTROL ARM	2		
6	2904105-F00	上臂轴胶套压紧垫 BUSHING PRESSUREING GASKET,UPPER CONTROL ARM (BIG)	2		大
7	2904104-F00	上臂扭杆连接螺母 CONNECTING NUT,TORSION BAR	4		
8	2904160-F00	上球销总成 BALL STUD ASSEMBLY, UPPER CONTROL ARM	2		
9	2904110-F00	左上摆臂焊接总成 UPPER CONTROL ARM WELDMENT ASSEMBLY, LH	1		
	2904120-F00	右上摆臂焊接总成 UPPER CONTROL ARM WELDMENT ASSEMBLY, RH	1		
10	2904150-F00	上摆臂限位块总成 JOUNCE BUMPER ASSEMBLY,UPPER CONTROL ARM	2		
11	2908118-F00	扭杆叉 TORSION BAR FORK	2		
12	2908011-F00	扭杆弹簧防尘罩 FRONT DUST COVER, TORSION BAR	4		
13	2908101-F00	左扭杆弹簧 TORSION BAR, LH	1		
	2908102-F00	右扭杆弹簧 TORSION BAR, RH	1		

上摆臂总成及扭杆 UPPER CONTROL ARM ASSEMBLY AND TORSION BAR

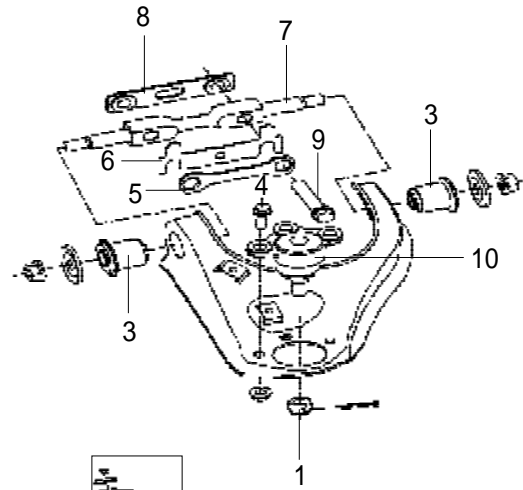
序号 S/N	零部件代号 PART CODE	零部件名称 PART NAME	用量 QTY	适用车型 VEHICLE APPLICABLE TO	备注 REMARK	
14	2908111-F00	扭杆弹簧调整螺栓 HEIGHT ADJUSTMENT BOLT	2	F00 F01 F02 F03		
15	2908113-F00	扭杆弹簧调整螺栓下垫块 LOWER SWIVEL BLOCK, TORSION BAR	2			
16	2908116-F00	左扭杆弹簧调整臂 ADJUSTING ARM ASSEMBLY,LEFT TORSION BAR	1			
	2908117-F00	右扭杆弹簧调整臂 ADJUSTING ARM ASSEMBLY ,RIGHT TORSION BAR	1			
17	2908112-F00	扭杆弹簧调整螺栓上垫块 UPPER SWIVEL BLOCK, TORSION BAR	2			
18	2908114-F00	扭杆弹簧调整专用螺母 SWIVEL NUT, TORSION BAR	2			

142

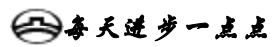
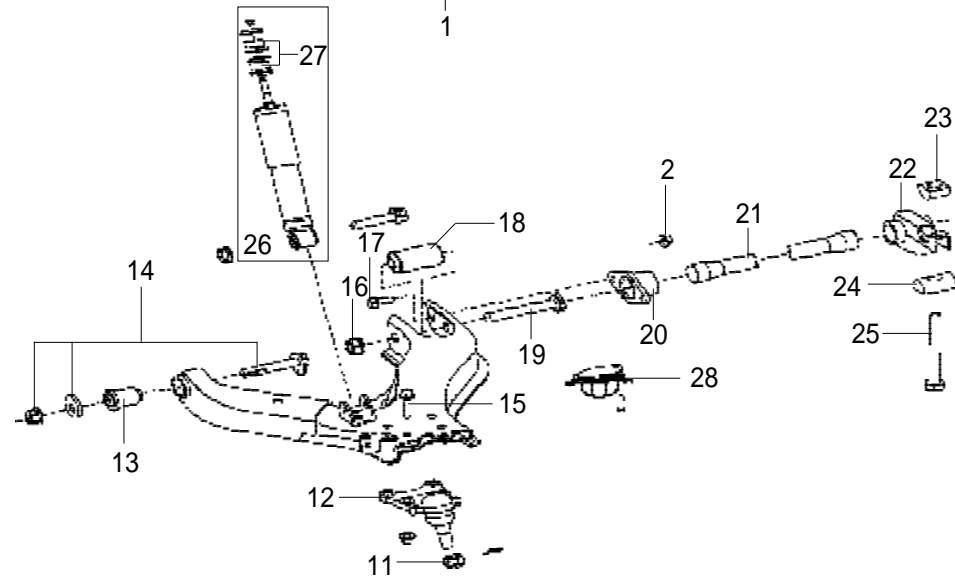




上下摆臂(F1) UPPER/LOWER CONTROL ARM(F1)



144



上下摆臂(F1) UPPER/LOWER CONTROL ARM(F1)

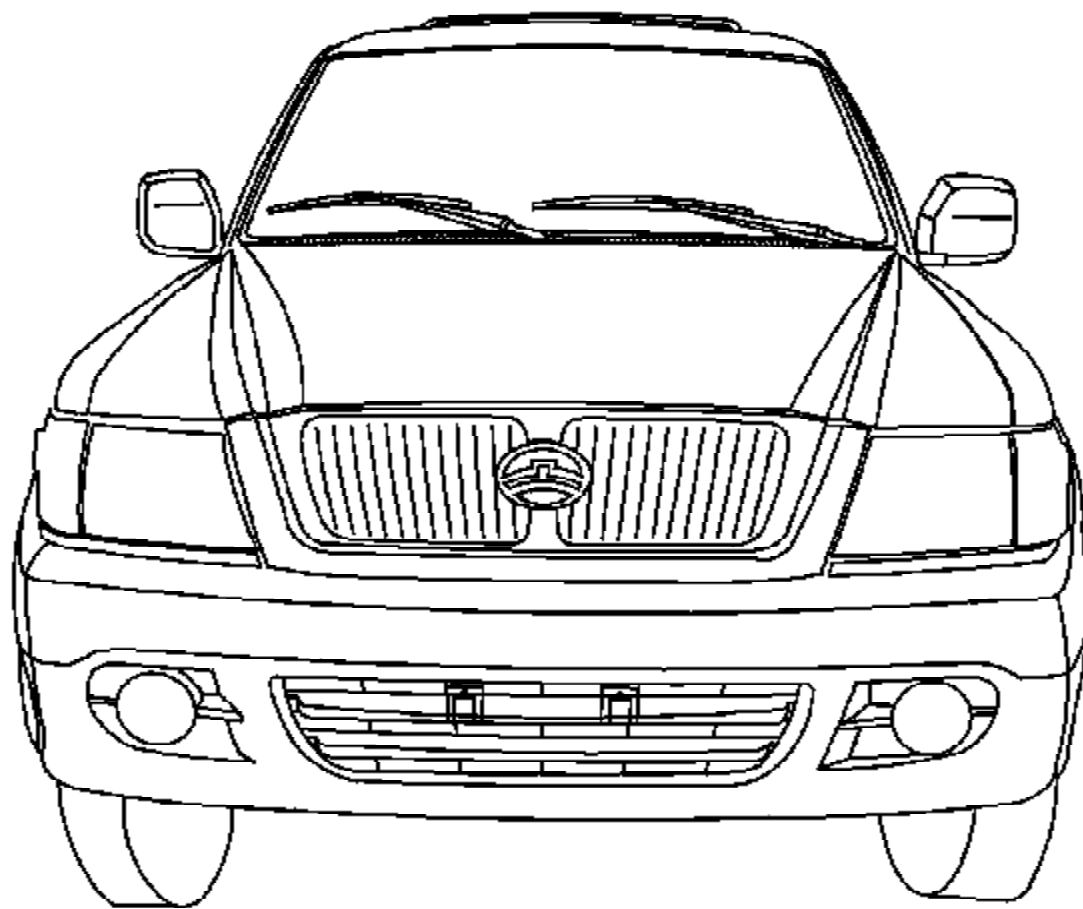
序号 S/N	零部件代号 PART CODE	零部件名称 PART NAME	用量 QTY	适用车型 VEHICLE APPLICABLE TO	备注 REMARK
1	2904138-K00	槽型螺母 NUT	2	F00 F01 F04 F05	
2	2904303-K00	螺母-紧固下摆臂球销座 NUT	12		
3	2904140-K00	上臂轴套总成 BUSHING ASSEMBLY,UPPER CONTROL ARM SHAFT	4		
4	2904103-K00	螺栓-上摆臂球销座 BOLT	6		
5	2904013-K00	上摆臂固定长垫片 LONG SHIM,UPPER CONTROL ARM	2		
6	2904014-K00	调整垫片一 ADJUSTING SHIM NO.1	按需		
	2904015-K00	调整垫片二 ADJUSTING SHIM NO.2			
	2904016-K00	调整垫片三 ADJUSTING SHIM NO.3			
	2904017-K00	调整垫片四 ADJUSTING SHIM NO.4			
	2904018-K00	调整垫片五 ADJUSTING SHIM NO.5			
7	2904101-K00	上摆臂轴 UPPER CONTROL ARM SHAFT ASSEMBLY	2		
8	2904070-K00	上摆臂安装螺母及连接板总成 CONNECTING NUT & NUT PLATE ASSEMBLY, UPPER CONTROL ARM	2		
9	2904011-K00	上摆臂轴固定螺栓 FIXING BOLT,UPPER CONTROL ARM SHAFT	4		
10	2904130-K00	上摆臂球销总成 BALL STUD, UPPER CONTROL ARM	2		
11	2904348-K00	槽型螺母 NUT	2		
12	2904340-K00	下摆臂球销总成 BALL STUD, LOWER CONTROL ARM	2		
13	2904330-K00	下摆臂前轴套 BUSHING ASSEMBLY, LOWER CONTROL ARM	2		
14	2904020-K00-A1	下摆臂前轴螺栓总成 BOLT ASSEMBLY, FRONT SHAFT,LOWER CONTROL ARM	2		
15	2904301-K00	螺栓-下摆臂球销座 BOLT	8		M12×1.25×40
16	2904062-K00	下摆臂后轴螺母 NUT, REAR SHAFT ,LOWER CONTROL ARM	2		

上下摆臂(F1) UPPER/LOWER CONTROL ARM(F1)

序号 S/N	零部件代号 PART CODE	零部件名称 PART NAME	用量 QTY	适用车型 VEHICLE APPLICABLE TO	备注 REMARK	
17	2904302-K00	扭杆座连接螺栓 CONNECTING BOLT, TORSION BAR	4	F00 F01 F04 F05	M12×1.25×30	
18	2904050-K00	下摆臂后轴套总成 REAR SHAFT BUSHING ASSEMBLY, LOWER CONTROL ARM	2			
19	2904061-K00	下摆臂后轴 REAR SHAFT BUSHING ASSEMBLY, LOWER CONTROL ARM	2			
20	2904380-K00	扭杆弹簧座焊接总成 TORSION BAR SEAT WELDMENT ASSEMBLY	2			
21	2908101-F00-B1	左扭杆弹簧 TORSION BAR, LH	1			
	2908102-F00-B1	右扭杆弹簧 TORSION BAR, RH	1			
22	2902100-K00	左扭杆弹簧调整臂总成 ADJUSTING ARM,LEFT TORSION BAR	1			
	2902200-K00	右扭杆弹簧调整臂总成 ADJUSTING ARM,RIGHT TORSION BAR	1			
23	2902013-K00	扭杆弹簧调整上垫块 UPPER SWIVEL BLOCK, TORSION BAR	2			
24	2902014-K00	扭杆弹簧调整下垫块 LOWER SWIVEL BLOCK, TORSION BAR	2			
25	2902015-K00	扭杆弹簧调整螺栓 ADJUSTING BOLT,TORSION BAR	2			
26	2905100-F00-B1	前减振器总成 FRONT SHOCK ABSORBER ASSEMBLY	1			
27	2905104-K00-B1	前减振器胶套 BUSHING,FRONT SHOCK ABSORBER	4			
28	2904030-K00-B1	左下摆臂缓冲块总成 LOWER CONTROL ARM BUFFER-STOPPER,LH	1			
	2904040-K00-B1	右下摆臂缓冲块总成 LOWER CONTROL ARM BUFFER-STOPPER,RH	1			

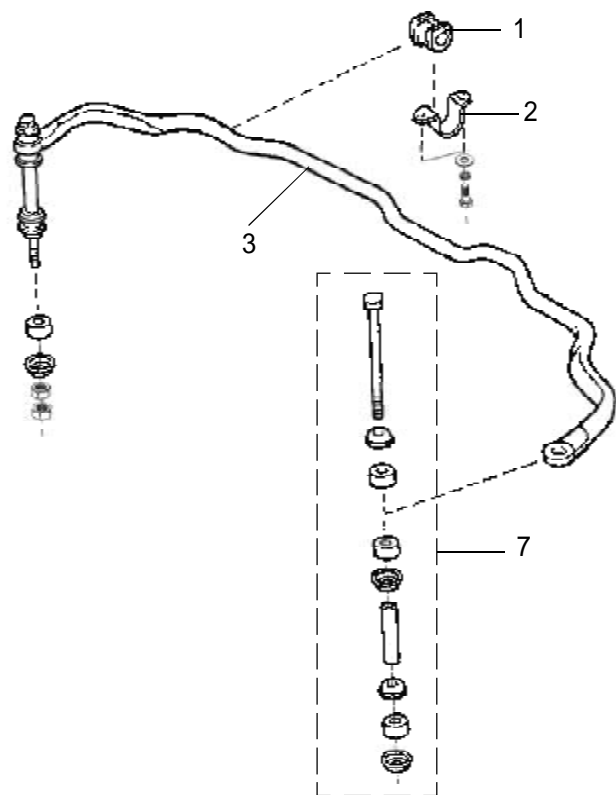
146



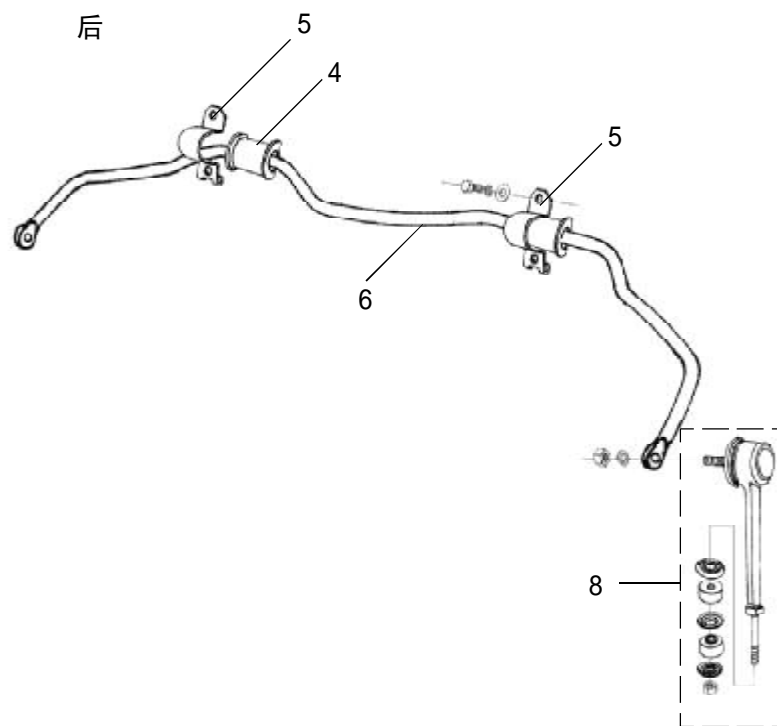


横向稳定杆 STABILIZER BAR

前



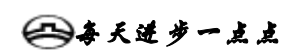
后



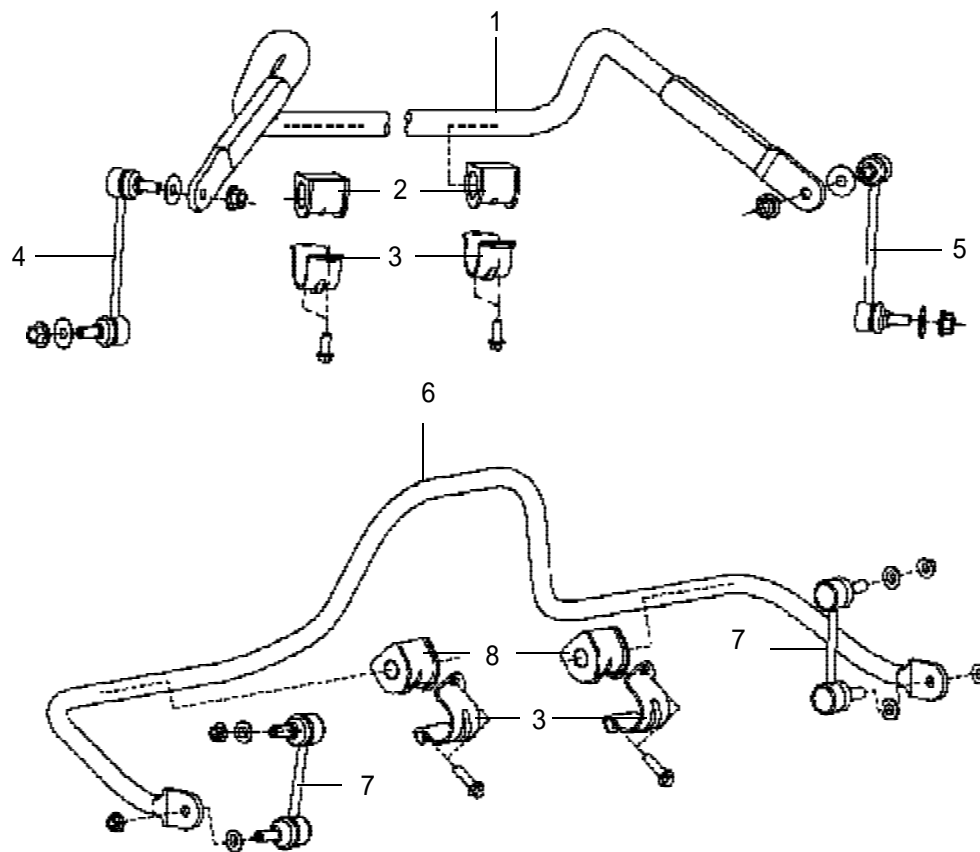
148

横向稳定杆 STABILIZER BAR

序号 S/N	零部件代号 PART CODE	零部件名称 PART NAME	用量 QTY	适用车型 VEHICLE APPLICABLE TO	备注 REMARK
1	2906011-F00	前横向稳定杆衬套 BUSHING, FRONT STABILIZER BAR	2	F00 F01 F02 F03	
2	2906012-F00	前横向稳定杆座左卡箍 BUSHING CLAMP CLIP, FRONT STABILIZER BAR, LH	1		
	2906014-F00	前横向稳定杆座右卡箍 BUSHING CLAMP CLIP, FRONT STABILIZER BAR,RH	1		
3	2906013-F00	前横向稳定杆 FRONT STABILIZER BAR	1		
4	2916011-F00	后稳定杆衬套 BUSHING,REAR STABILIZER BAR	2		
5	2916012-F00	后稳定杆衬套卡箍 BUSHING CLAMP,REAR STABILIZER BAR	2		
6	2916013-F00	后横向稳定杆 REAR STABILIZER BAR	1		
7	2906100-F00	前横向稳定杆连接杆总成 CONNECTING BOLT, FROTN STABILIZER BAR	2		
8	2916100-F00	后横向稳定杆连接杆总成 LINKAGE ASSEMBLY, REAR STABILIZER BAR	2		



前横向稳定杆(F1) FRONT STABILIZER BAR(F1)

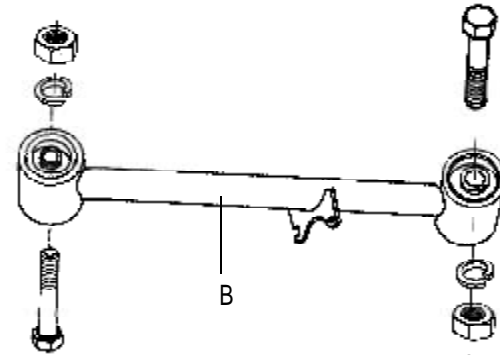
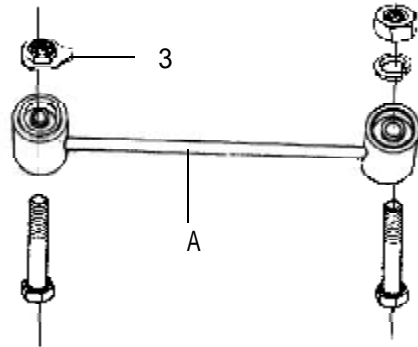


前横向稳定杆(F1) FRONT STABILIZER BAR(F1)

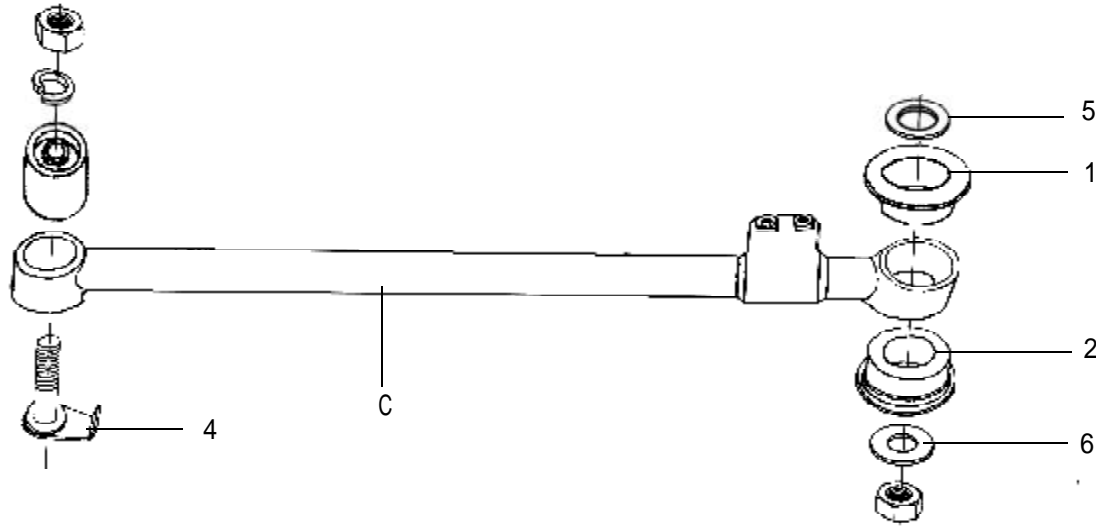
序号 S/N	零部件代号 PART CODE	零部件名称 PART NAME	用量 QTY	适用车型 VEHICLE APPLICABLE TO	备注 REMARK
1	2906011-K00	前横向稳定杆 FRONT STABILIZER BAR	1	F00 F01 F04 F05	
2	2906012-K00	前横向稳定杆衬套 BUSHING,FRONT STABILIZER BAR	2		
3	2906013-K00	衬套卡箍 BUSHING CLIP	4		
4	2906300-K00	前横向稳定杆左连接杆总成 LEFT LINKAGE ASSEMBLY,FRONT STABILIZER BAR	1		
5	2906400-K00	前横向稳定杆右连接杆总成 RIGHT LINKAGE ASSEMBLY,FRONT STABILIZER BAR	1		
6	2916011-K00	后横向稳定杆 REAR STABILIZER BAR	1		
7	2916100-K00	后横向稳定杆连接杆总成 LINKAGE ASSEMBLY,REAR STABILIZER BAR	2		
8	2916012-K00	后横向稳定杆衬套 BUSHING,REAR STABILIZER BAR	2		



后悬挂组件 REAR SUSPENSION ASSEMBLY



152



每天进步一点点

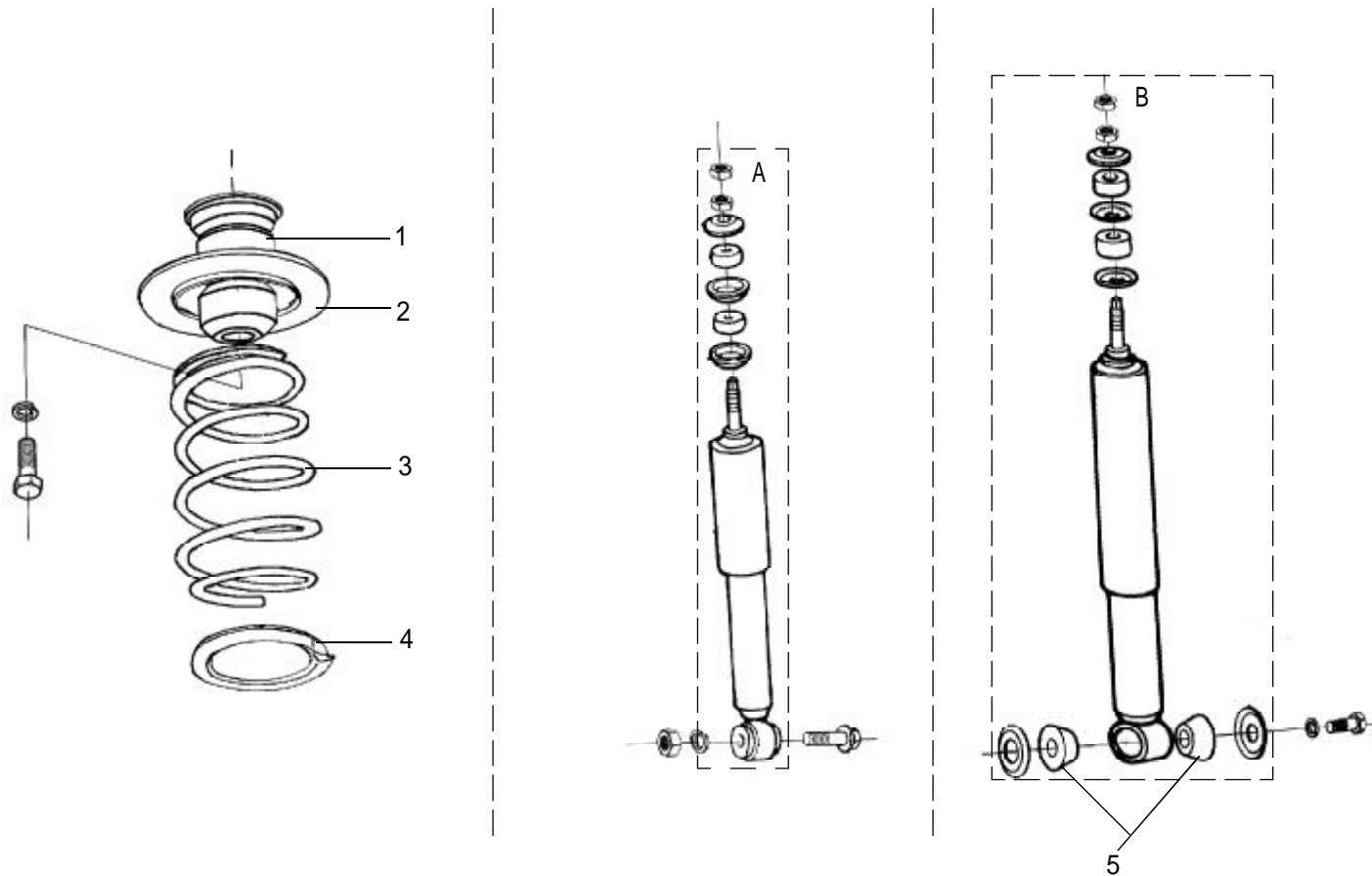
后悬挂组件 REAR SUSPENSION ASSEMBLY

序号 S/N	零部件代号 PART CODE	零部件名称 PART NAME	用量 QTY	适用车型 VEHICLE APPLICABLE TO	备注 REMARK	
A	2917200-F00	短纵向拉杆装配总成 SHORT LONGITUDINAL DRAG LINK ASSEMBLY	2	F00 F01 F02 F03		
B	2917300-F00	左长纵向拉杆装配总成 LONG LONGITUDINAL DRAG LINK ASSEMBLY,LH	1			
	2917400-F00	右长纵向拉杆装配总成 LONG LONGITUDINAL DRAG LINK ASSEMBLY,RH	1			
C	2917100-F00	横向拉杆装配总成 TIE ROD ASSEMBLY	1			
1	2917011-F00	横向拉杆胶块一 INSULATOR NO.1,TIE ROD	1			
2	2917013-F00	横向拉杆胶块二 INSULATOR NO.2,TIE ROD	1			
3	2917230-F00	短纵拉杆专用螺母总成 BOLT,SHORT LONITUDINAL TIE ROD	1			
4	2917130-F00	横拉杆专用螺栓总成 BOLT, TIE ROD	1			
5	2917012-F00	横向拉杆胶块垫片一 WASHER NO.1,RUBBER BLOCK ,TIE ROD	1			
6	2917014-F00	横向拉杆胶块垫片二 WASHER NO.2,RUBBER BLOCK ,TIE ROD	1			



后螺旋簧组件及减震器总成 REAR COIL SPRING ASSEMBLY AND SHOCK ABSORBER ASSEMBLY

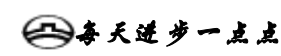
154



每天进步一点点

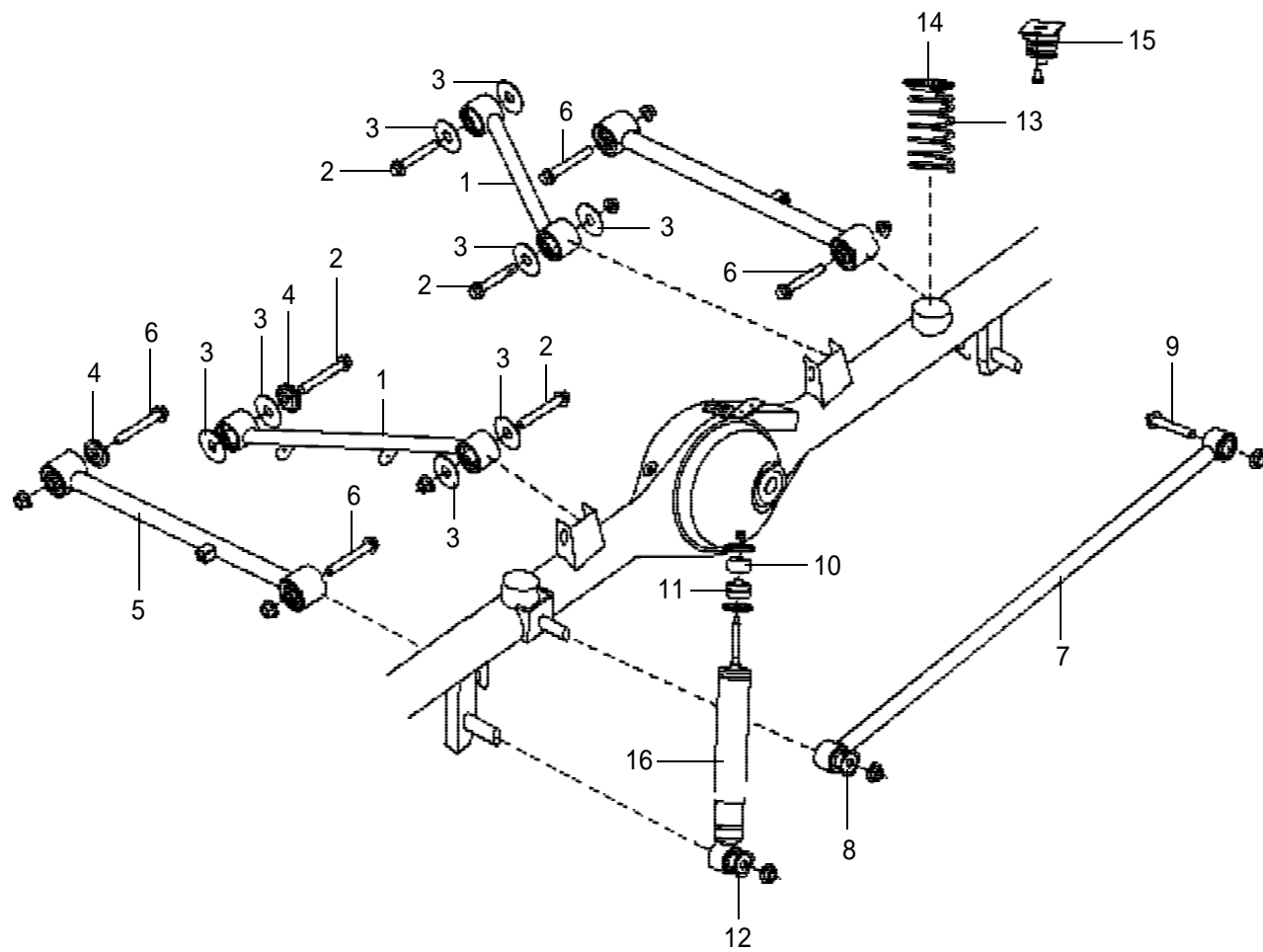
后螺旋簧组件及减震器总成 REAR COIL SPRING ASSEMBLY AND SHOCK ABSORBER ASSEMBLY

序号 S/N	零部件代号 PART CODE	零部件名称 PART NAME	用量 QTY	适用车型 VEHICLE APPLICABLE TO	备注 REMARK
A	2905100-F00	前减震器总成 FRONT SHOCK ABSORBER ASSEMBLY	2	F00 F01 F02 F03	
B	2915100-F00	后减震器总成 REAR SHOCK ABSORBER ASSEMBLY	2		
1	2912100-F00	橡胶弹簧总成 RUBBER SPRING ASSEMBLY	2		
2	2912013-F00	螺旋簧上支撑垫 UPPER INSULATOR, COIL SPRING	2		
3	2912011-F00	螺旋簧 COIL SPRING	2		
4	2912012-F00	螺旋簧下支座橡胶垫 LOWER INSULATOR, COIL SPRING SEAT			
5	2915102-F00	后减震器支架衬套 BUSHING,REAR SHOCK ABSORBER BRACKET	4		



后悬架总成(F1)REAR SUSPENSION ASSEMBLY(F1)

156

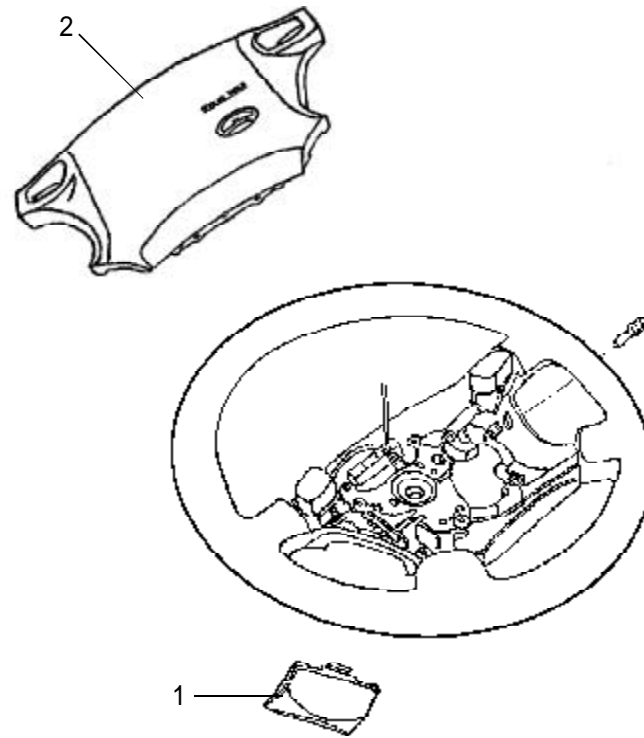


每天进步一点点

后悬架总成(F1)REAR SUSPENSION ASSEMBLY(F1)

序号 S/N	零部件代号 PART CODE	零部件名称 PART NAME	用量 QTY	适用车型 VEHICLE APPLICABLE TO	备注 REMARK
1	2917200-K00	短纵拉杆总成 SHORT LONGITUDINAL TIE ROD ASSEMBLY	2	F00 F01 F04 F05	
2	2917011-K00	短纵拉杆固定螺栓 MOUNT BOLT, SHORT LONITUDINAL TIE ROD	4		
3	2917012-K00	短纵拉杆胶垫 INSULATOR, SHORT LONITUDINAL TIE ROD	8		
4	2917015-K00	防撞垫 BUFFER GASKET	2		
5	2917300-K00	长纵拉杆总成 LONG LONGITUDINAL TIE ROD ASSEMBLY	2		
6	2917013-K00	长纵拉杆固定螺栓 BOLT, LONG LONGITUDINAL TIE ROD ASSEMBLY	4		
7	2917500-K00	横拉杆总成 TIE ROD ASSEMBLY	1		
8	2917014-K00	后桥横拉杆垫片 TIE ROD WASHER, REAR AXLE	1		
9	2917021-K00	横拉杆联接螺栓 CONNECTING BOLT, TIE ROD	1		
10	2915103-K00-B1	后减震器橡胶衬垫一 RUBBER GASKET NO.1,REAR SHOCK ABSORBER	2		
11	2915104-K00-B1	后减震器橡胶衬垫二 RUBBER GASKET NO.2,REAR SHOCK ABSORBER	2		
12	2915015-K00	后减震器固定垫片 FIXING SHIM, REAR SHOCK ABSORBER	2		
13	2912011-K00	螺旋簧 COIL SPRING	2		
14	2912012-K00	螺旋簧上支撑垫 UPPER INSULATOR, COIL SPRING	2		
15	2912210-K00	后缓冲块总成 REAR BUFFER STOPPER ASSEMBLY, COIL SPRING	2		
16	2915100-F00-B1	后减振器总成 REAR SHOCK ABSORBER ASSEMBLY	2		

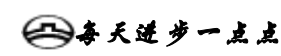
方向盘总成 STEERING WHEEL ASSEMBLY



158

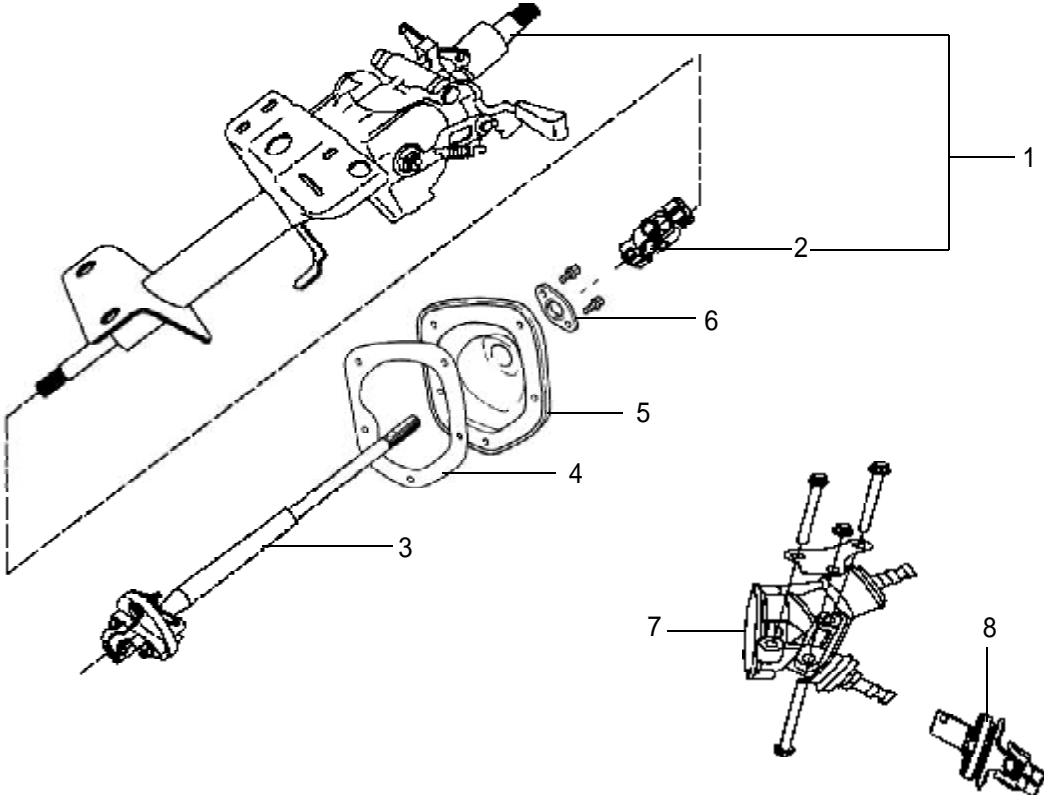
方向盘总成 STEERING WHEEL ASSEMBLY

序号 S/N	零部件代号 PART CODE	零部件名称 PART NAME	用量 QTY	适用车型 VEHICLE APPLICABLE TO	备注 REMARK
	3402100-F00-0803	方向盘总成 STEERING WHEEL ASSEMBLY (MODEL 04, BLACK)	1	F00 F01 F04 F05	04款 黑色
	3402100-F00-B1-0803	方向盘总成 STEERING WHEEL ASSEMBLY (CCS BLACK)			巡航定速 黑色
	3402100-F00-A1-0803	方向盘总成 STEERING WHEEL ASSEMBLY (MODEL 04, BLACK,MADE IN TAIZHOU)			04款 黑色 台州
	3402100-F02	方向盘总成 STEERING WHEEL ASSEMBLY(PURPLISH RED)		F02 F03	亚光桃木纹枣红色
	3402100-F02-B1	方向盘总成 STEERING WHEEL ASSEMBLY (MODEL 03,LEATHER)		F00 F01	03款 全皮
1	3402102-F00-0803	方向盘侧护盖 STEERING WHEEL COVER (MODEL 04, BLACK)	1	F00 F01 F04 F05	04款 黑色
	3402102-F00-0314	方向盘侧护盖 STEERING WHEEL COVER (MODEL 03,LIGHT COFFEE)			F02 F03
2	3402101-F02	方向盘喇叭盖 STEERING WHEEL COVER ASSEMBLY (MODEL 03, LIGHT COFFEE)	1	F00 F01 F04 F05	03款 浅咖啡色
	3402101-F00-0803	方向盘喇叭盖 STEERING WHEEL COVER ASSEMBLY (MODEL 04, BLACK)			04款 黑色



转向传动装置 STEERING APPARATUS

160



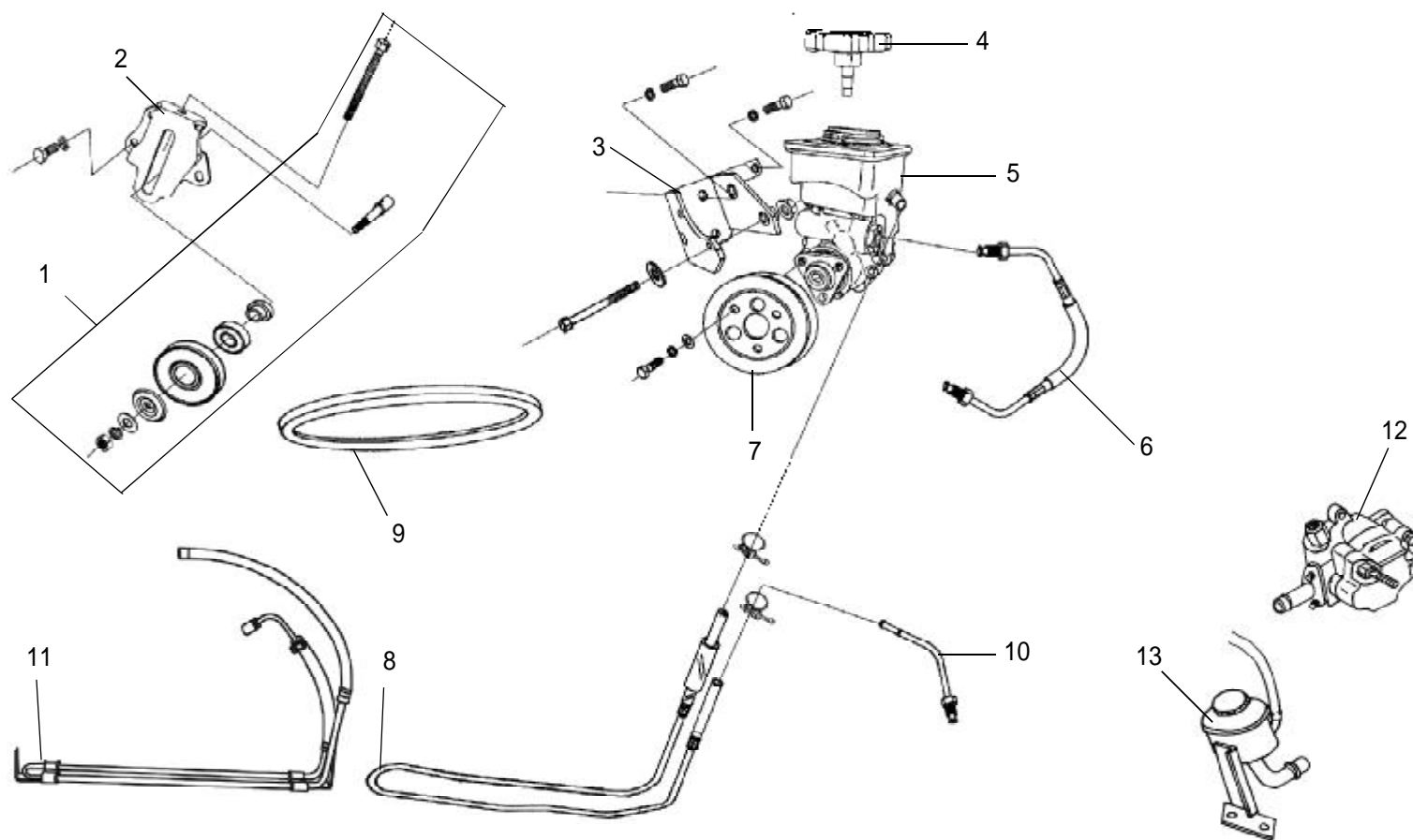
每天进步一点点

转向传动装置 STEERING APPARATUS

序号 S/N	零部件代号 PART CODE	零部件名称 PART NAME	用量 QTY	适用车型 VEHICLE APPLICABLE TO	备注 REMARK
1	3400100-D01	转向管柱总成 STEERING COLUMN ASSEMBLY	1		
2	3400101-D01	万向节 UNIVERSAL JOINT	1		
3	3400200-F00	转向传动轴总成 STEERING INNER ARTICULATED SHAFT ASSEMBLY	1		
	3404200-F00	转向传动轴总成 STEERING INNER ARTICULATED SHAFT ASSEMBLY		F00 F01 F04 F05	
4	3400012-D01	转向轴孔盖胶垫 GASKET,STEERING INNER ARTICULATED SHAFT	1	F00 F01 F02 F03 F04 F05	
5	3400011-D01	转向轴孔盖 COVER,STEERING INNER ARTICULATED SHAFT HOLE	1		
6	3400500-D01	转向轴孔盖防尘罩总成 DUST COVER,STEERING INNER ARTICULATED SHAFT COLE COVER	1		
7	3404310-K00	转向传动副总成 STEERING DRIVE SET ASSEMBLY	1	F00 F01 F04 F05	
8	3404320-K00	挠性万向节总成 FLEXIBLE UNIVERSAL JOINT ASSEMBLY	1		

动力转向油泵总成 POWER STEERING PUMP ASSEMBLY

162



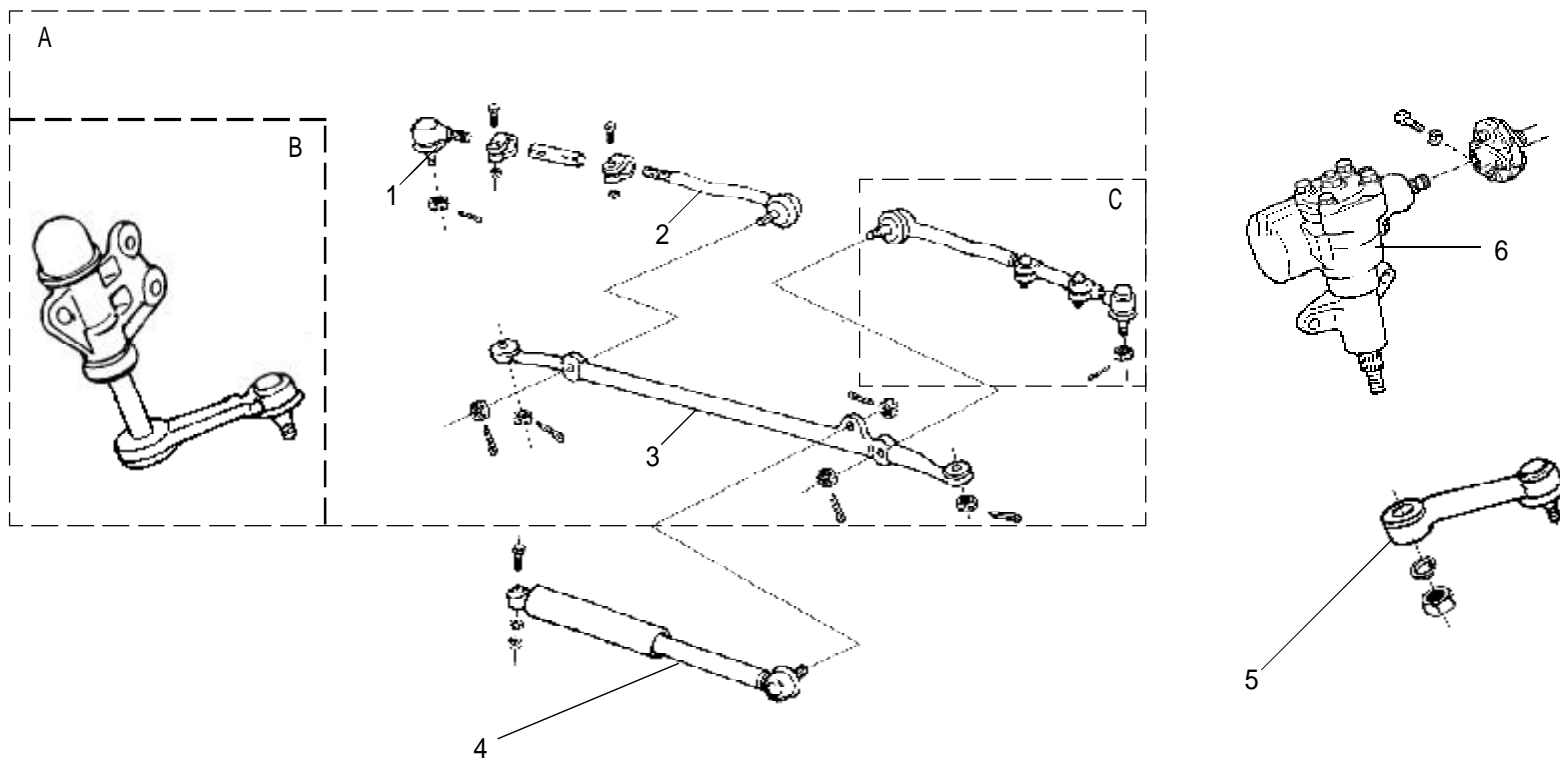
每天进步一点点

动力转向油泵总成 POWER STEERING PUMP ASSEMBLY

序号 S/N	零部件代号 PART CODE	零部件名称 PART NAME	用量 QTY	适用车型 VEHICLE APPLICABLE TO	备注 REMARK
1	3407210-D01	动力转向油泵皮带涨紧轮总成 TENSION PULLEY ASSEMBLY, POWER STEERING PUMP	1	F00 F01 F02 F03 F04 F05	
2	3407201-D01	动力转向油泵皮带涨紧轮支架 TENSION PULLEY BRACKET,POWER STEERING PUMP	1		
3	3407101-D01	动力转向油泵支架 POWER STEERING PUMP BRACKET	1	F00 F01 F02 F03	
	3407101-F04	动力转向油泵支架 POWER STEERING PUMP BRACKET		F04 F05	
4	3407111-D01	动力转向油泵储液罐盖 POWER STEERING PUMP OIL RESERVIOR CAP	1	F00 F01 F02 F03	
5	3407110-D01	动力转向油泵总成 POWER STEERING PUMP ASSEMBLY	1		
6	3406110-F00	动力转向油泵出油管总成 OUTLET PIPE,POWER STEERING PUMP	1	F00 F01 F02 F03	
	3406110-F00-B1	动力转向油泵出油管总成 OUTLET PIPE,POWER STEERING PUMP		F00 F01 F04 F05	
7	3407102-D01	动力转向油泵皮带轮 PULLEY,POWER STEERING PUMP	1	F00 F01 F02 F03 F04 F05	
8	3406120-D01	动力转向油泵回油管总成 OIL RETURN PIPE ASSEMBLY,POWER STEERING PUMP	1	F02 F03	
	3406120-F00-B1	动力转向油泵回油管总成 OIL RETURN PIPE ASSEMBLY,POWER STEERING PUMP		F00 F01	
	3406120-F04	动力转向油泵回油管总成 OIL RETURN PIPE ASSEMBLY,POWER STEERING PUMP		F04 F05	
9	3407011-D01	动力转向油泵皮带 STEERING PUMP BELT (V BELT AV13×1100)	1	F00 F01 F02 F03	V 带 AV13×1100
	3407011-F04	动力转向油泵皮带 STEERING PUMP BELT		F04 F05	
10	3406121-D01	动力转向油泵回油管接头 OIL RETURN PIPE JOINT,POWER STEERING PUMP	1	F02 F03	
11	3406120-F00	动力转向油泵回油管总成 OIL RETURN PIPE ASSEMBLY,POWER STEERING PUMP	1	F00 F01	
12	3407110-F04	动力转向油泵总成 POWER STEERING PUMP ASSEMBLY	1	F04 F05	
13	3408100-B02	动力转向泵油壶	1		

转向拉杆及转向器 STEERING TIE ROD AND STEERING GEAR

164

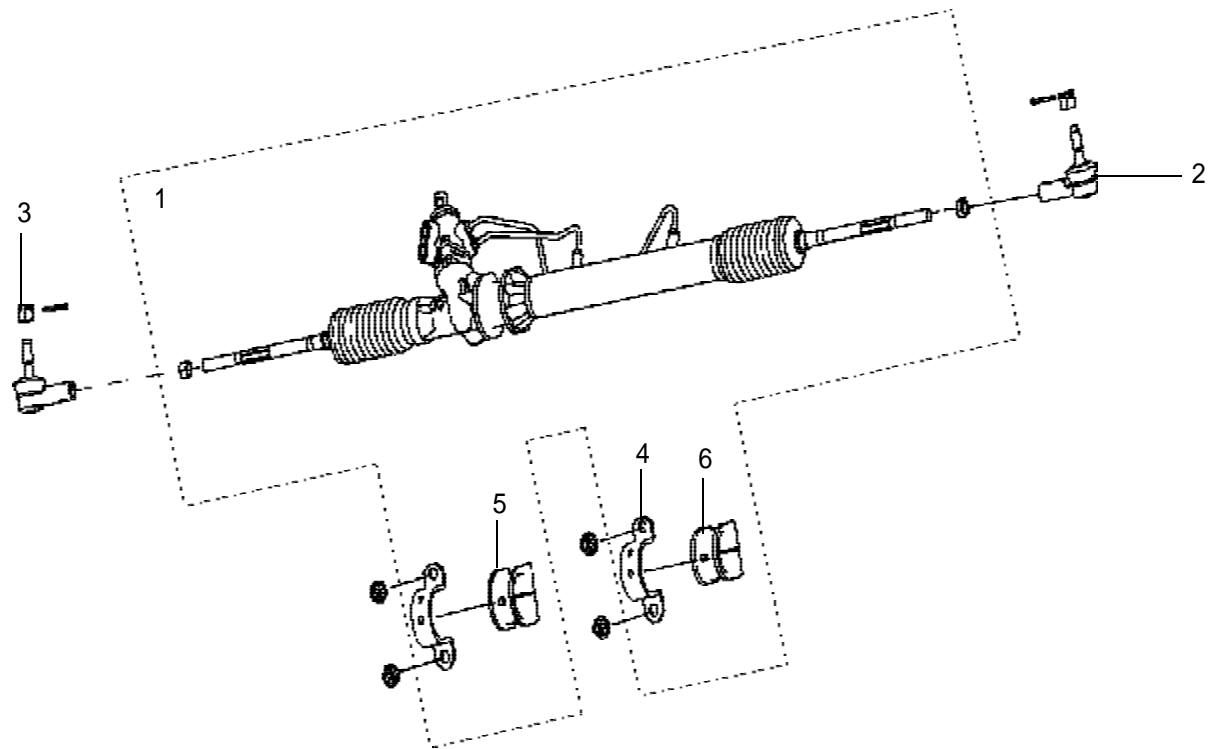


每天进步一点点

转向拉杆及转向器 STEERING TIE ROD AND STEERING GEAR

序号 S/N	零部件代号 PART CODE	零部件名称 PART NAME	用量 QTY	适用车型 VEHICLE APPLICABLE TO	备注 REMARK
A	3400400-F00	转向拉杆总成 STEERING LINKAGE ASSEMBLY	1	F00 F01 F02 F03	
B	3400440-F00	随动臂总成 STEERING IDLER ARM	1		
C	3400430-F00	侧拉杆总成 TIE ROD ASSEMBLY	2		
1	3400410-F00	长侧拉杆总成 INNER TIE ROD END	2		
2	3400420-F00	短侧拉杆总成 OUTER TIE ROD END	2		
3	3400451-F00	中横拉杆 CENTER TIE ROD	1		
4	3400300-F00	阻尼器总成 STEERING SHOCK ABSORBER	1		
5	3401200-F00	动力转向机摇臂 PITMAN ARM,POWER STEERING GEAR	1		F00 F01 F02 F03
	3401200-F02	动力转向机摇臂 PITMAN ARM,POWER STEERING GEAR (SPLINE 28 TEETH)		花键改细 28 齿	
	3401200-F00-B1	动力转向机摇臂 PITMAN ARM,POWER STEERING GEAR (SPLINE 32 TEETH)		F00 F01	花键改细 32 齿
6	3401100-F00	转向器总成 STEERING GEAR ASSEMBLY	1	F00 F01 F02 F03	
	3401100-F02	转向器总成 STEERING GEAR ASSEMBLY (SPLINE 28 TEETH)			花键改细 28 齿
	3401100-F00-B1	转向器总成 STEERING GEAR ASSEMBLY (SPLINE 32 TEETH)		F00 F01	花键改细 32 齿

整体式动力转向器(F1) INTEGRAL POWER STEERING GEAR(F1)



166

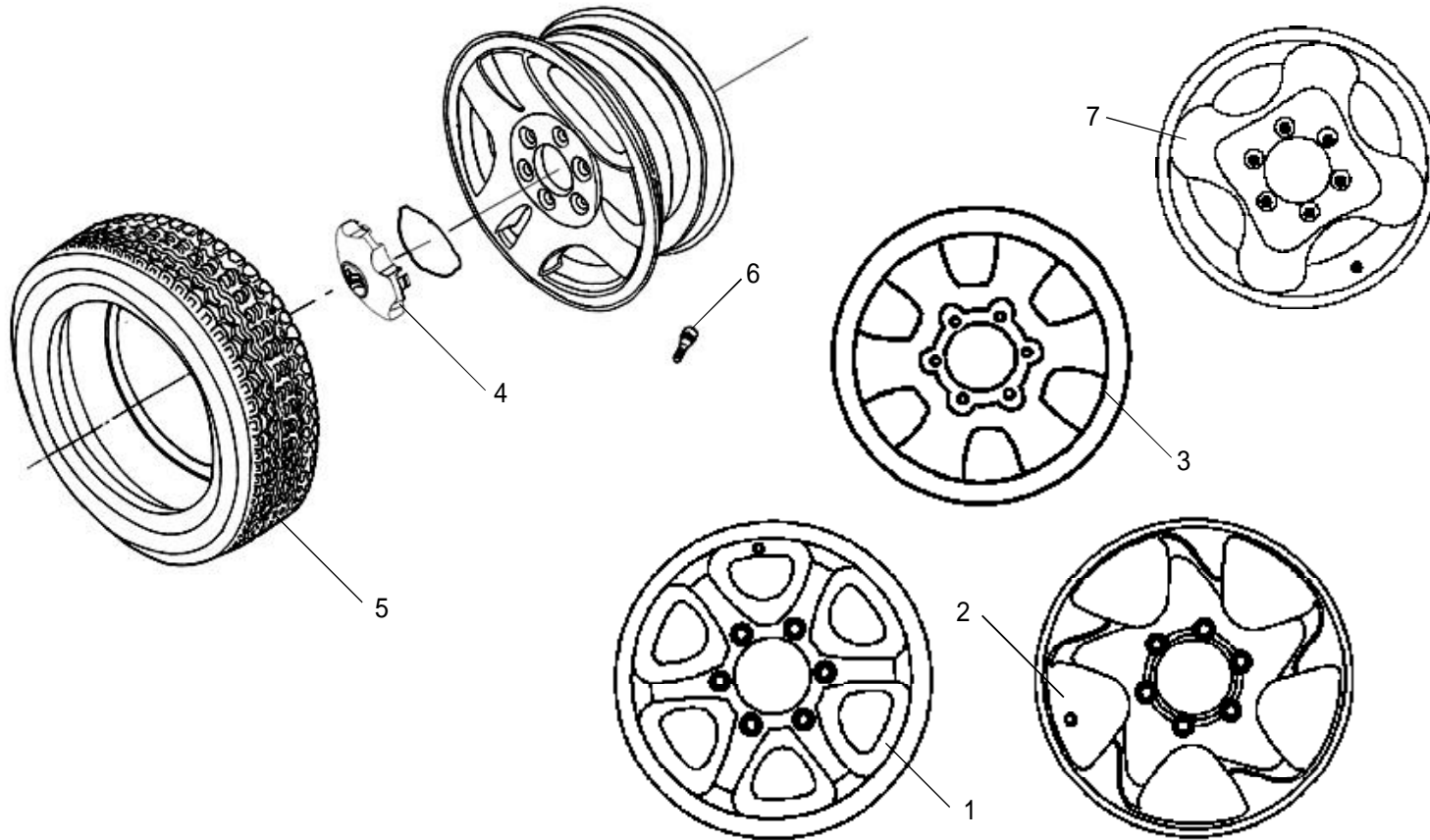
整体式动力转向器(F1) INTEGRAL POWER STEERING GEAR(F1)

序号 S/N	零部件代号 PART CODE	零部件名称 PART NAME	用量 QTY	适用车型 VEHICLE APPLICABLE TO	备注 REMARK
	3411100-K00	整体式动力转向器总成 INTEGRAL POWER STEERING GEAR ASSEMBLY	1	F00 F01 F04 F05	
1	3411110-K00	动力转向器带横拉杆总成 POWER STEERING GEAR WITH TIE ROD ASSEMBLY	1		
2	3411120-K00	球头总成 BALL JOINT ASSEMBLY	2		
3	3411011-K00	六角开槽螺母 NUT	2		
4	3411111-K00	固定卡子 CLIP	2		
5	3411112-K00	左安装橡胶衬套 LEFT BUSHING	1		
6	3411113-K00	右安装橡胶衬套 RIGHT BUSHING	1		



车轮总成 WHEELASSEMBLY

168



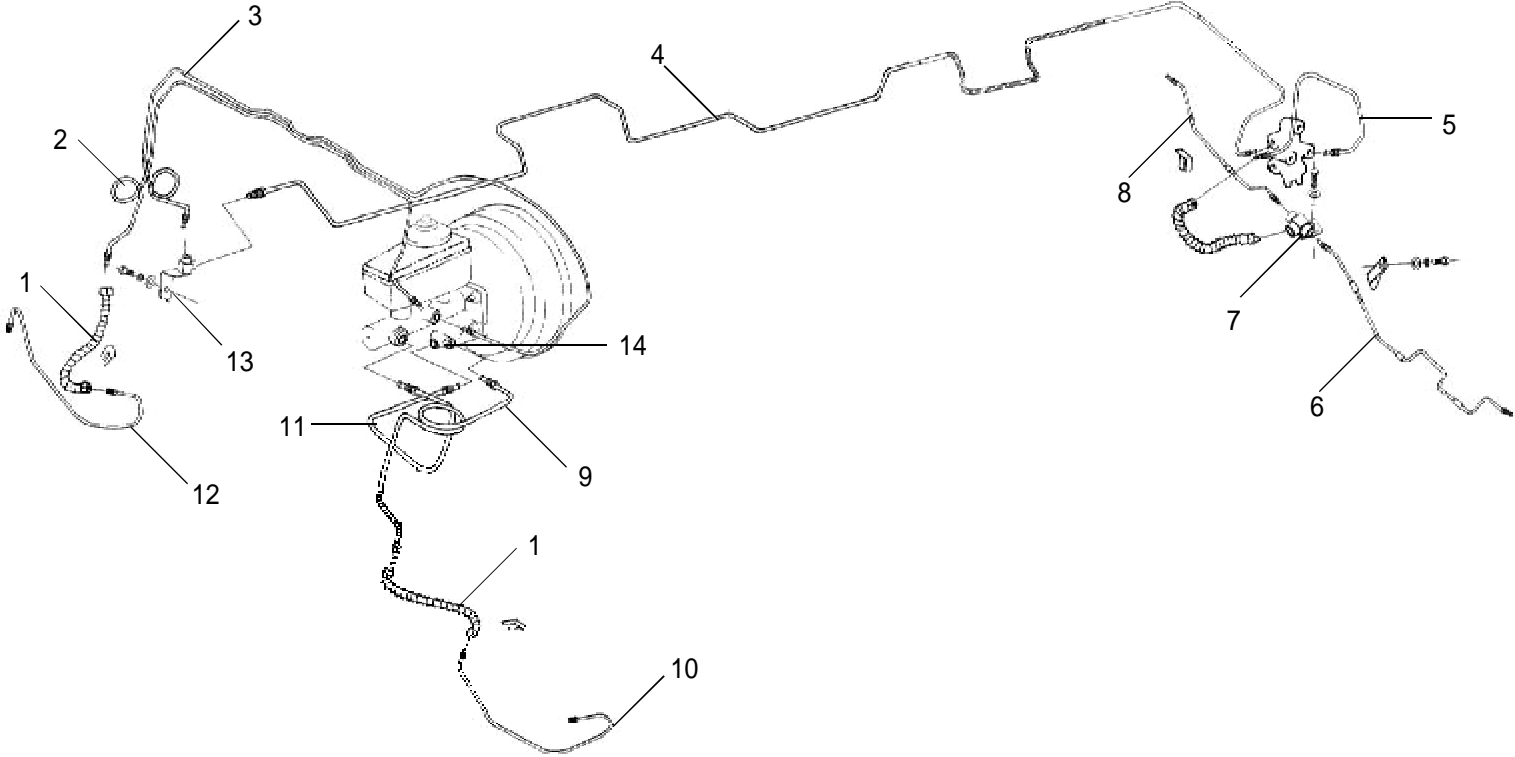
车轮总成 WHEEL ASSEMBLY

序号 S/N	零部件代号 PART CODE	零部件名称 PART NAME	用量 QTY	适用车型 VEHICLE APPLICABLE TO	备注 REMARK
1	3101110-D07	车轮 WHEEL (SIX-SPOKE AND SIX-HOLE TYPE)	5	F00 F01 F02 F03	六辐六孔式
2	3101110-F00	车轮 WHEEL (FIVE-SPOKE AND FIVE-HOLE TYPE)	5		五辐五孔式
3	3101110-F02	车轮 WHEEL (SIX-SPOKE AND SIX-HOLE TYPE)	5		六辐六孔式
4	3101011-F02	轴头盖 TRIM CAP (MODEL 04, CONFIGURATION SIX-SPOKE AND SIX-HOLE TYPE)	4	F00 F01 F02 F03	04 款六辐六孔
	3101011-F00	轴头盖 TRIM CAP (MODEL 05, CONFIGURATION FIVE-SPOKE AND FIVE-HOLE TYPE)			05 款 配五辐五孔
	3101011-F00-B1	轴头盖 TRIM CAP		F00 F01 F04 F05	
5	3101120-F00	轮胎 TIRE (KUMHO)	5	F00 F01 F02 F03	锦湖
	3101120-F01	轮胎 TIRE (HANKOOK)			韩泰
	3101120-F02	轮胎 TIRE (GITI)			佳通
	3101120-F00-C1	轮胎 TIRE		F00 F01 F04 F05	
	3101120-F00-C2	轮胎 TIRE			
6	3101130-D01	气门嘴 TIRE VALVE	5	F00 F01 F02 F03	
7	3101110-F00-C1	车轮 WHEEL	5	F00 F01 F04 F05	
	3101110-F00-C2	车轮 WHEEL			



制动管路装置 BRAKING LINE UNIT

170

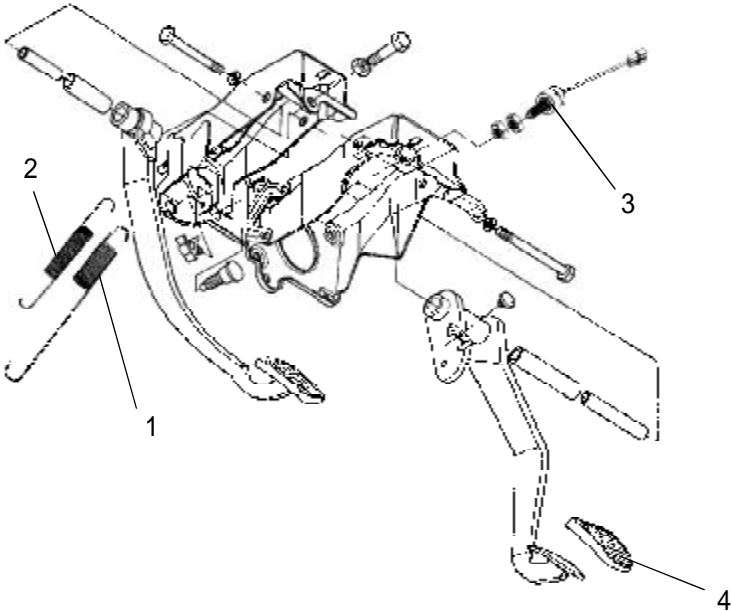


制动管路装置 BRAKING LINE UNIT

序号 S/N	零部件代号 PART CODE	零部件名称 PART NAME	用量 QTY	适用车型 VEHICLE APPLICABLE TO	备注 REMARK
1	3506104-D01	前制动软管 FRONT BRAKE HOSE	2	F00 F01 F02 F03	
2	3506106-F00	右前制动油管 FRONT BRAKE OIL PIPE,RH	1		
3	3506111-F00	总泵至两通制动油管 BRAKE OIL PIPE,MASTER CYLINDER TO 2-WAY VALVE	1		
4	3506113-F00	后制动油管 REAR BRAKE OIL PIPE	1		
5	3506114-F00	感载比例阀油管 OIL PIPE,LOAD-SENSING PROPORTIONING VALVE	1		
6	3506117-F00	左后制动油管 REAR BRAKE OIL PIPE,LH	1		
7	3506116-F00	后三通 REAR 3-WAY VALVE	1		
8	3506118-F00	右后制动油管 REAR BRAKE OIL PIPE,RH	1		
9	3506102-F00	左前制动油管 FRONT BRAKE OIL PIPE,LH	1		
10	3506103-F00	左前制动分泵油管 OIL PIPE,FRONT BRAKE WHEEL CYLINDER ,LH	1		
11	3506101-F02	总泵至前三通制动油管 OIL PIPE ,MASTER CYLINDER TO FRONT 3-WAY VALVE	1	F02 F03	Φ4.75×296
12	3506107-F00	右前制动分泵油管 OIL PIPE,FRONT BRAKE WHEEL CYLINDER ,RH	1	F00 F01 F02 F03	
13	3506112-F00	前两通 FRONT 2-WAY VALVE	1		
14	3505102-D01	前三通 FRONT 3-WAY VAVLE	1	F02 F03	

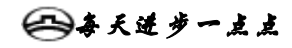
制动与离合器踏板总成 BRAKE & CLUTCH PEDAL ASSEMBLY

172

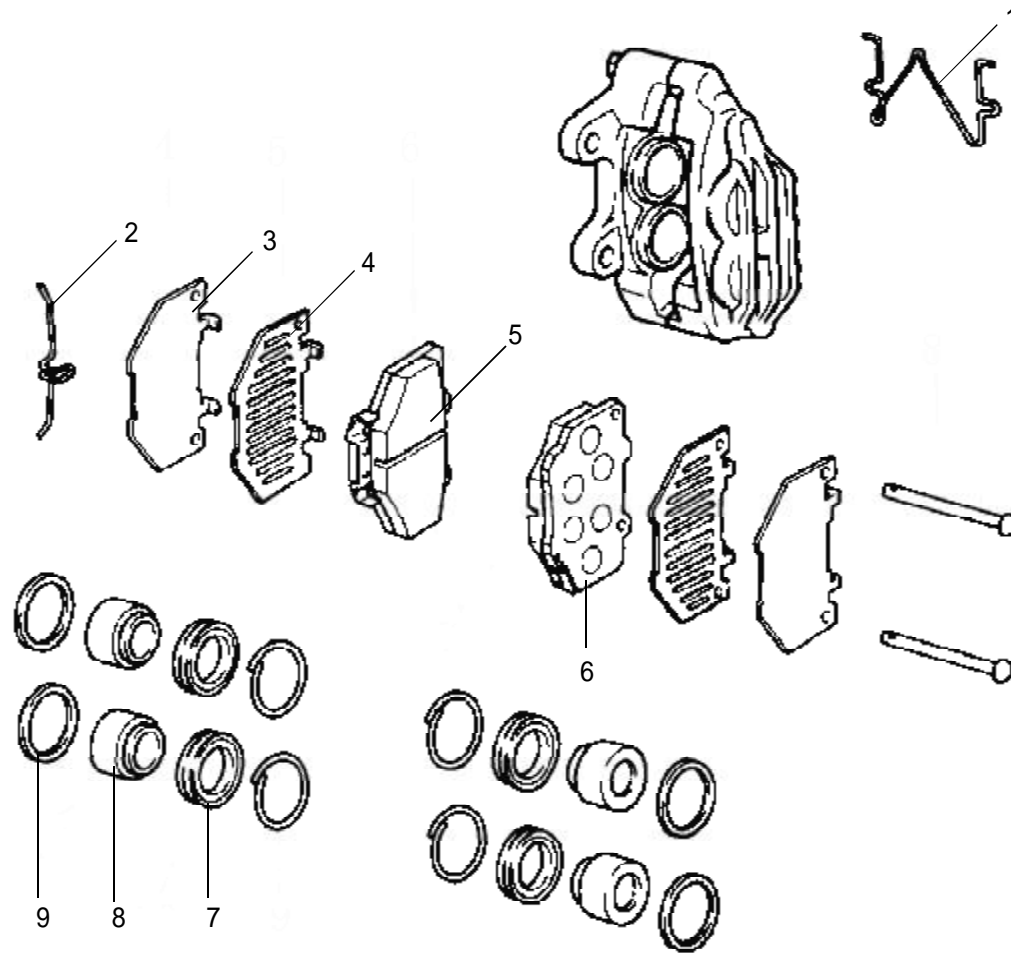


制动与离合器踏板总成 BRAKE & CLUTCH PEDAL ASSEMBLY

序号 S/N	零部件代号 PART CODE	零部件名称 PART NAME	用量 QTY	适用车型 VEHICLE APPLICABLE TO	备注 REMARK
	3504100-D01	制动与离合器踏板总成 BRAKE & CLUTCH PEDAL ASSEMBLY	1	F00 F01 F02 F03	
	3504100-F00	制动与离合器踏板总成 BRAKE & CLUTCH PEDAL ASSEMBLY		F00 F01 F04 F05	
1	3504115-D01	制动踏板回位弹簧 RETURN SPRING,BRAKE PEDAL	1	F00 F01 F02 F03 F04 F05	
2	3504114-D01	离合器踏板回位弹簧 RETURN SPRING,CLUTCH PEDAL	1		
3	4134023-D01	制动灯开关 BRAKE LAMP SWITCH	1		
4	3504112-D01	制动踏板橡皮套 RUBBER SLEEVE,BRAKE PEDAL	1		



制动钳总成 BRAKE CALIPER ASSEMBLY

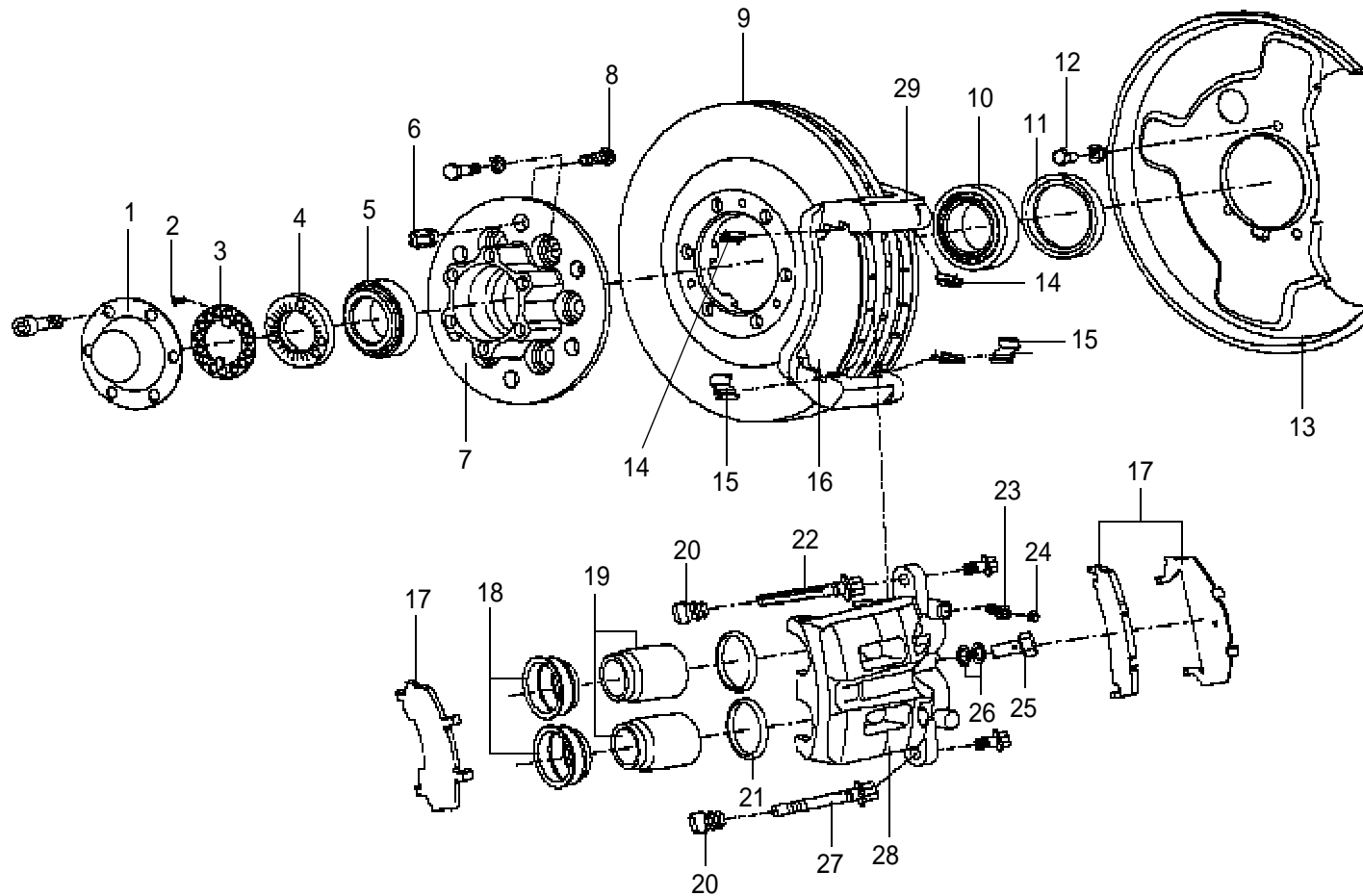


制动钳总成 BRAKE CALIPER ASSEMBLY

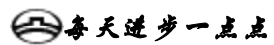
序号 S/N	零部件代号 PART CODE	零部件名称 PART NAME	用量 QTY	适用车型 VEHICLE APPLICABLE TO	备注 REMARK
	3501100-F00	左前制动钳总成 FRONT BRAKE CALIPER,LH	1	F00 F01 F02 F03	
	3501200-F00	右前制动钳总成 FRONT BRAKE CALIPER,RH	1		
1	3501112-F00	制动块卡簧 SNAP SPRING,BRAKE PAD	4		
2	3501109-F00	导向销锁簧 LOCK SPRING,GUIDE PIN	2		
3	3501104-F00	消音片 FRONT BRAKE SILENT PAD	4		
4	3501119-F00	隔片 FRONT BRAKE SILENT PAD	2		
5	3501130-F00	左外侧制动块总成 OUTER BRAKE PAD, LH	2		
6	3501140-F00	右外侧制动块总成 OUTER BRAKE PAD, RH	2		
7	3501106-F00	活塞防尘罩 PISTON DUST COVER	8		
8	3501102-F00	活塞 PISTON	8		
9	3501103-F00	矩形密封圈 RECTANGULAR SEALING RING	8		



前制动器总成(F1) FRONT BRAKE ASSEMBLY(F1)



176



前制动器总成(F1) FRONT BRAKE ASSEMBLY(F1)

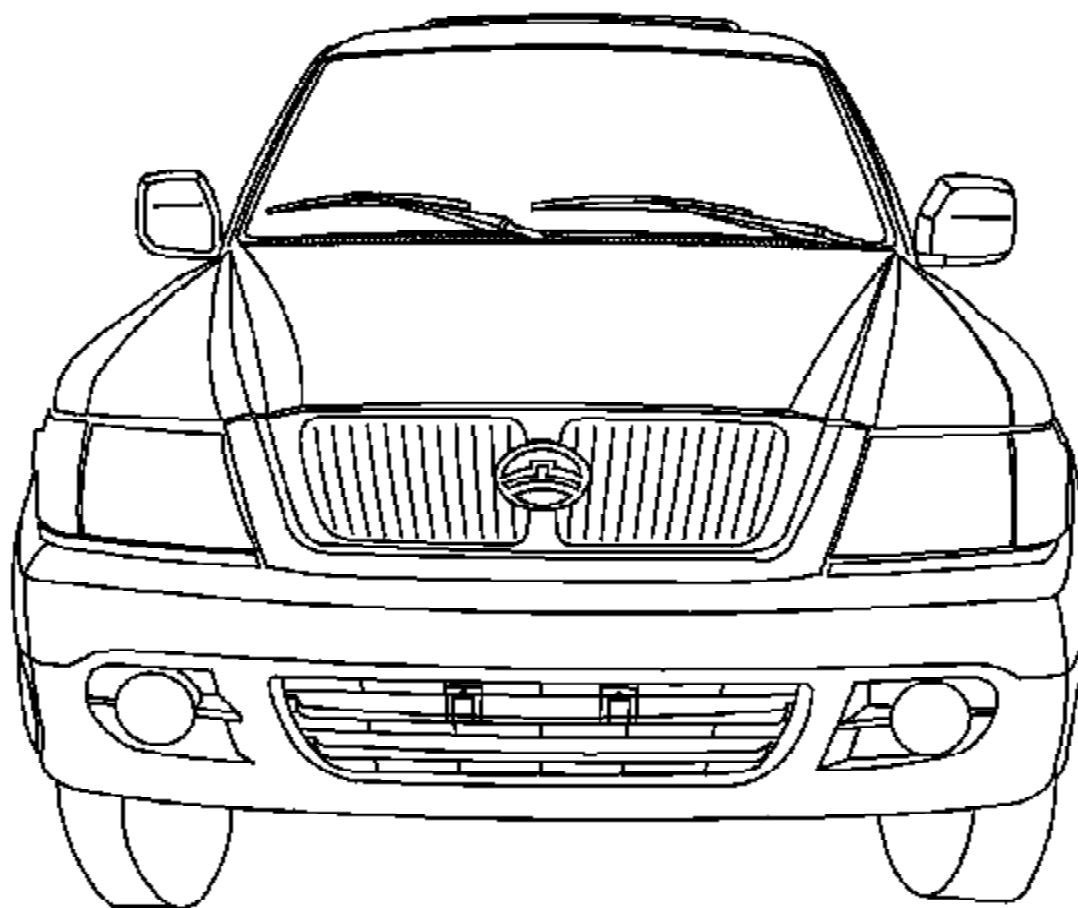
序号 S/N	零部件代号 PART CODE	零部件名称 PART NAME	用量 QTY	适用车型 VEHICLE APPLICABLE TO	备注 REMARK
1	3001107-K00	前轮毂盖 FRONT WHEEL HUB COVER	2	F00 F01 F04 F05	
2	3001104-K00	螺钉-止动挡圈 SCREW,THRUST RING	6		
3	3001103-K00	止动挡圈-锁紧螺母 THRUST RING,NUT,STEEING KNUCKLE	2		
4	3001102-K00	锁紧螺母-转向节轴承 NUT,STEERING KNUCKLE BEARING	2		
5	32008X	外轴承-转向节 OUTER BEARING,STEERING KNUCKLE	2		
6	3103104-K00	车轮螺母 WHEEL NUT	12		
7	3103101-K00	前轮轮毂 FRONT WHEEL HUB	2		
8	3103103-K00	前车轮螺栓 FRONT WHEEL BOLT	12		
9	3103102-K00	前制动盘 FRONT BRAKE DISC	2		
10	XAA32009X	内轴承-转向节 INNER BEARING, STEERING KNUCKLE	2		
11	3103110-K00	前轮毂油封总成 OIL SEAL ASSEMBLY,FRONT WHEEL HUB	2		
12	3001115-K00-B1	螺栓-前制动器罩壳 BOLT, FRONT BRAKE HOUSING	6		M8×12
13	3001113-K00-B1	左前制动器罩壳 BRAKE HOUSING,FRONT,LH	1		
	3001114-K00-B1	右前制动器罩壳 BRAKE HOUSING,FRONT,RH	1		
14	3501103-K00	制动块卡簧片一 SNAP SPRING NO.1,BRAKE PAD	2		
15	3501104-K00	制动块卡簧片二 SNAP SPRING NO.2,BRAKE PAD	2		
16	3501120-K00	制动块总成 BRAKE PAD ASSEMBLY	2		
17	3501140-K00	消音片组合件 SILENT PAD KIT	2		
18	3501108-K00	活塞防尘罩 PISTON DUST COVER	4		
19	3501106-K00	活塞 PISTON	4		
20	3501111-K00	定位销导向销防尘罩 DUST COVER,DOWEL PIN/GUIDE PIN	4		
21	3501107-K00	矩形密封圈 RECTANGULAR SEALING RING	4		

前制动器总成(F1) FRONT BRAKE ASSEMBLY(F1)

序号 S/N	零部件代号 PART CODE	零部件名称 PART NAME	用量 QTY	适用车型 VEHICLE APPLICABLE TO	备注 REMARK
22	3501113-K00	定位销 DOWEL PIN	2	F00 F01 F04 F05	
23	3501115-K00	放气螺钉 BLEED SCREW	2		
24	3501114-K00	放气螺钉罩 BLEED SCREW COVER	2		
25	3001105-K00	制动软管螺栓 BOLT,BRAKE HOSE	4		
26	3001106-K00	铜垫圈 COPPER WASHER	2		
27	3501112-K00	导向销 GUIDE PIN	2		
28	3501104-K00	前制动钳支架 FRONT BRAKE CALIPER BRACKET	2		
29	3501101-K00	左前制动钳体 FRONT CALIPER,LH	1		
	3501102-K00	右前制动钳体 FRONT CALIPER,RH	1		

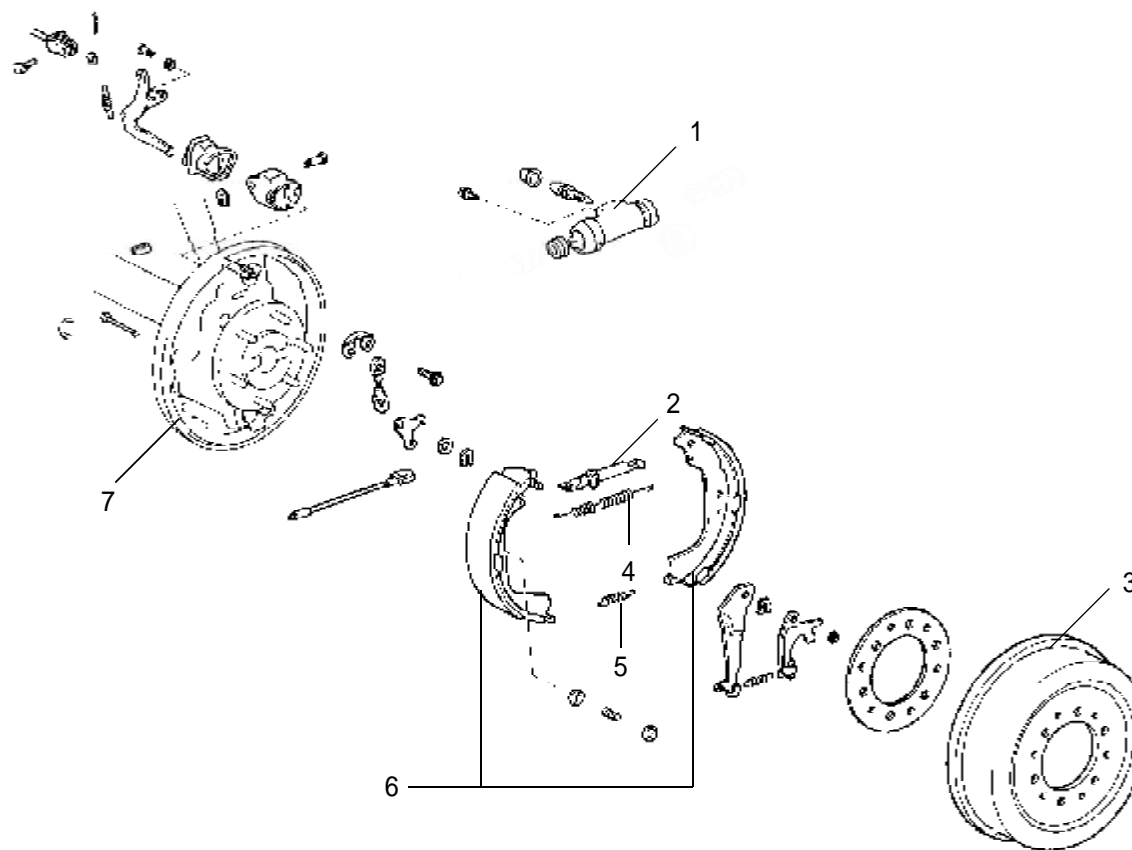
178





后制动器总成 REAR BRAKE ASSEMBLY

180

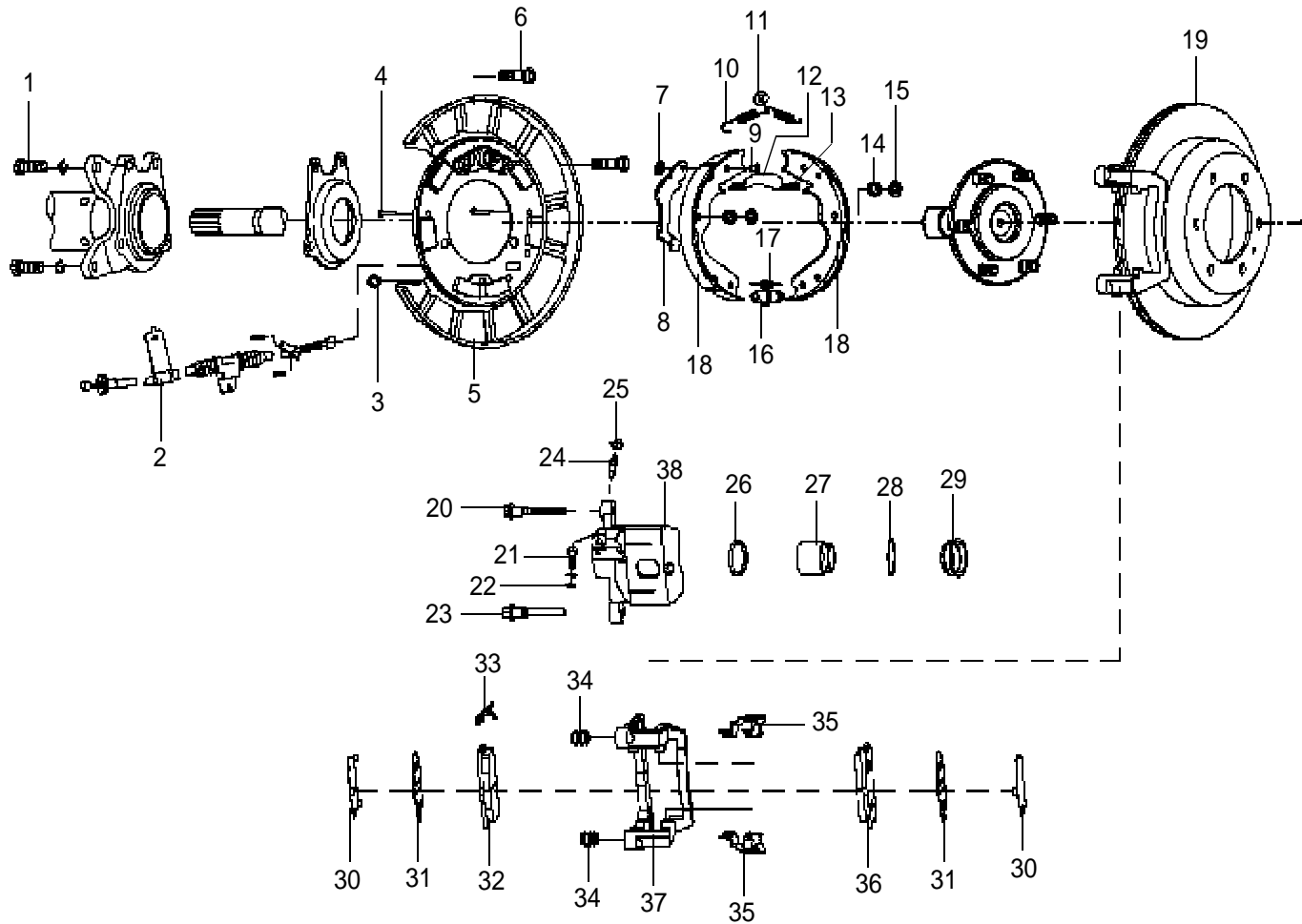


后制动器总成 REAR BRAKE ASSEMBLY

序号 S/N	零部件代号 PART CODE	零部件名称 PART NAME	用量 QTY	适用车型 VEHICLE APPLICABLE TO	备注 REMARK	
	3502100-F00	左后制动器总成 BRAKE ASSEMBLY,REAR,LH	1	F00 F01 F02 F03		
	3502200-F00	右后制动器总成 REAR BRAKE ASSEMBLY,RH	1			
1	3502190-F00	制动轮缸总成 WHEEL CYLINDER ASSEMBLY	2			
2	3502170-F00	左自调螺杆总成 LEFT SELF-ADJUSTING SCREW ASSEMBLY	1			
	3502180-F00	右自调螺杆总成 RIGHT SELF-ADJUSTING SCREW ASSEMBLY	1			
3	3502011-F00	后制动毂 REAR BRAKE DRUM	2			
4	3502101-F00	左上拉力弹簧 UPPER PULL SPRING,LH	1			
	3502102-F00	右上拉力弹簧 UPPER PULL SPRING,RH	1			
5	3502111-F00	下拉力簧 LOWER PULL SPRING	2			
6	3502155-F00	制动蹄总成 BRAKE SHOE ASSEMBLY	2			
7	3502130-F00	左后底板和支撑销总成 BOTTOM PLATE & ANCHOR PIN ASSEMBLY,REAR,LH	1			
	3502140-F00	右后底板和支撑销总成 BOTTOM PLATE & ANCHOR PIN ASSEMBLY,REAR,RH	1			



后制动器总成(F1) REAR BRAKE ASSEMBLY(F1)



后制动器总成(F1) REAR BRAKE ASSEMBLY(F1)

序号 S/N	零部件代号 PART CODE	零部件名称 PART NAME	用量 QTY	适用车型 VEHICLE APPLICABLE TO	备注 REMARK	
	3507100-K00	左制动器总成 REAR BRAKE ASSEMBLY,LH	1	F00 F01 F04 F05		
	3507200-K00	右制动器总成 REAR BRAKE ASSEMBLY,RH	1			
1	3502012-K00	紧固后制动钳螺栓 BOLT,MOUNTING REAR BRAKE CALIPER	4			M12×1.25×27
2	3507170-K00	后驻车制动拉线（左） REAR PARKING BRAKE CABLE,LH	1			
	3507180-K00	后驻车制动拉线（右） REAR PARKING BRAKE CABLE,RH	1			
3	3507103-K00	调整孔塞 ADJUSTING HOLE PLUG	2			
4	3507104-K00	压簧拉杆 COMPRESSION SPRING LEVER	4			
5	3507130-K00	左制动底板总成 BRAKE BOTTOM PLATE ASSEMBLY,LH	1			
	3507140-K00	右制动底板总成 BRAKE BOTTOM PLATE ASSEMBLY,RH	1			
6	3507011-K00	螺栓—安装驻车制动器 BOLT, PARKING BRAKE	4			
7	3507105-K00	鞍形垫圈 WASHER	2			
8	3507101-K00	左驻车制动拉臂 PARKING BRAKE DRAW ARM,LH	1			
	3507102-K00	右驻车制动拉臂 PARKING BRAKE DRAW ARM,RH	1			
9	3507106-K00	拉臂销 TENSION ARM PIN	2			
10	3507107-K00	上端回位弹簧 UPPER RETURN SPRING	4			
11	3507113-K00	挡块 BLOCK	2			
12	3507111-K00	左推板 LEFT RUSHER BOARD	1			
	3507112-K00	右推板 RIGHT RUSHER BOARD	1			
13	3507114-K00	推板回位弹簧 PUSHER RETURN SPRING	2			
14	3507115-K00	压簧 REAR BRAKE SHOE COMPRESSION SPRING	4			
15	3507117-K00	压簧座 REAR BRAKE SHOE COMPRESSION SPRING SEAT	4			
16	3507150-K00	左调隙器总成 CLEARANCE ADJUSTOR ASSEMBLY,LH	1			

后制动器总成(F1) REAR BRAKE ASSEMBLY(F1)

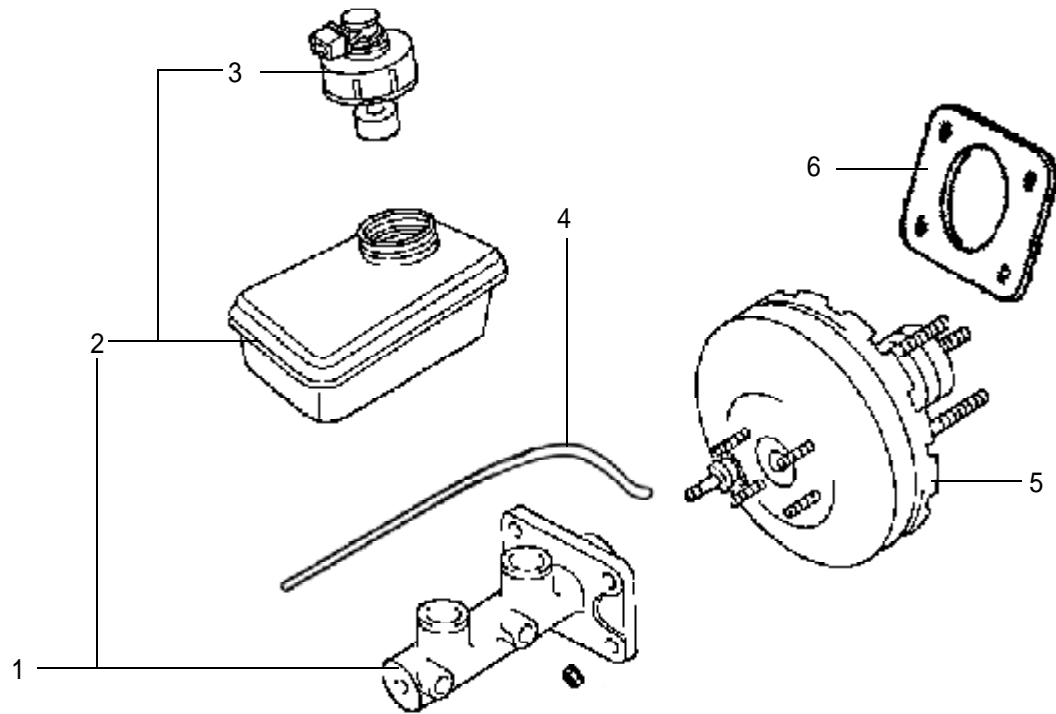
序号 S/N	零部件代号 PART CODE	零部件名称 PART NAME	用量 QTY	适用车型 VEHICLE APPLICABLE TO	备注 REMARK
16	3507160-K00	右调隙器总成 CLEARANCE ADJUSTOR ASSEMBLY,RH	1	F00 F01 F04 F05	
17	3507117-K00	下端拉簧 LOWER PULL SPRING	2		
18	3507120-K00	后制动蹄带摩擦片总成 BRAKE SHOE WITH FRICTION LINING ASSEMBLY,REAR	2		
19	3502011-K00	后制动盘 REAR BRAKE DISC	2		
20	3502118-K00	定位销 DOWEL PIN	2		
21	3502113-K00	制动软管螺栓 BOLT,BRAKE HOSE	2		
22	3502112-K00	铜垫圈 COPPER WASHER	2		
23	3502116-K00	导向销 GUIDE PIN	2		
24	3502114-K00	放气螺钉 BLEED SCREW	2		
25	3502115-K00	放气螺钉防尘罩 BLEED SCREW DUST COVER	2		
26	3502106-K00	矩形密封圈 RECTANGULAR SEAL RING	4		
27	3502105-K00	活塞 PISTON	4		
28	3502107-K00	钢丝卡箍 WIRE CLAMP RING	2		
29	3502108-K00	缸孔防尘罩 DUST COVER	2		
30	3502109-K00	消音片复合件 SILENT PAD KIT	4		
31	3502111-K00	消音片 SILENT PAD	4		
32	3502120-K00	内侧制动块 INNER BRAKE PAD	1		
33	3502166-K00	制动块衬垫指示板 BRAKE LINING INDICATING PLATE	2		
34	3502117-K00	销胶套 PIN RUBBER BUSHING	4		
35	3502104-K00	制动块卡簧 BRAKE PAD SNAP SPRING	4		
36	3502130-K00	外侧制动块 OUTER BRAKE PAD	2		

184



真空助力器带制动总泵总成 VACUUM BOOSTER & BRAKE MASTER CYLINDER ASSEMBLY

186

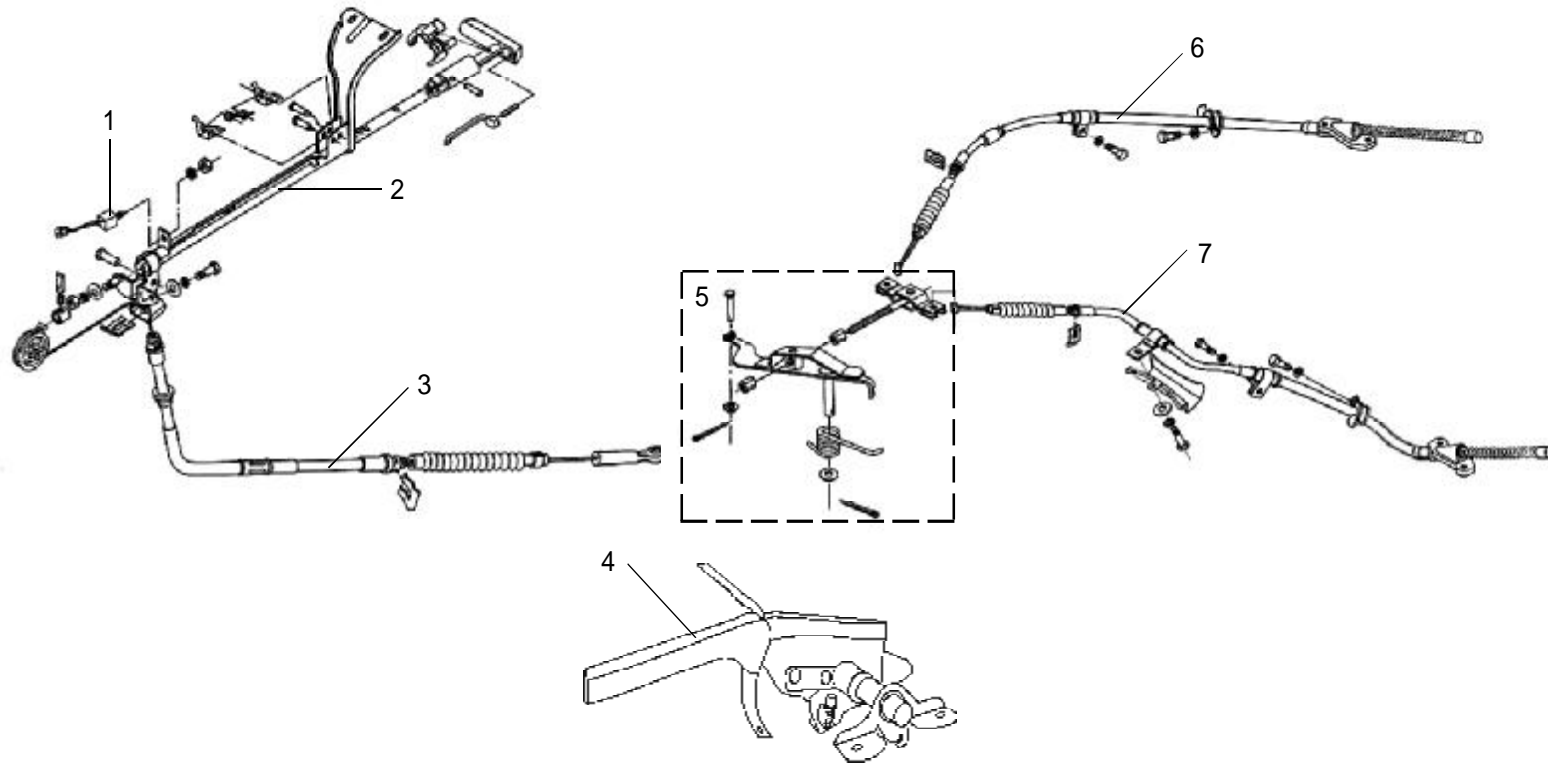


真空助力器带制动总泵总成 VACUUM BOOSTER & BRAKE MASTER CYLINDER ASSEMBLY

序号 S/N	零部件代号 PART CODE	零部件名称 PART NAME	用量 QTY	适用车型 VEHICLE APPLICABLE TO	备注 REMARK
	3505100-D01	真空助力器带制动总泵总成 VACUUM BOOSTER & BRAKE MASTER CYLINDER ASSEMBLY (JILIN PROVINCE)	1	F02 F03	
	3505100-F00	真空助力器带制动总泵总成 VACUUM BOOSTER & BRAKE MASTER CYLINDER ASSEMBLY		F00 F01	
	3505100-F00-B1	真空助力器带制动总泵总成 VACUUM BOOSTER & BRAKE MASTER CYLINDER ASSEMBLY		F00 F01	
	3505100-F04	真空助力器带制动总泵总成 VACUUM BOOSTER & BRAKE MASTER CYLINDER ASSEMBLY		F04 F05	
1	3505120-F00	制动泵总成 BRAKE CYLINDER ASSEMBLY	1	F00 F01 F02 F03	
	3505120-F04	制动泵总成 BRAKE CYLINDER ASSEMBLY		F04 F05	
2	3505103-D01	制动泵油杯 OIL CUP, BRAKE PUMP	1	F00 F01 F02 F03	
	3505103-F04	制动泵油杯 OIL CUP, BRAKE PUMP		F04 F05	
3	3505104-F00	制动泵油杯盖 OIL CUP CAP, BRAKE CYLINDER ASSEMBLY	1	F00 F01 F02 F03	
	3505104-F04	制动泵油杯盖 OIL CUP CAP, BRAKE CYLINDER ASSEMBLY		F04 F05	
4	3505012-D01	真空助力泵真空胶管 BRAKE BOOST PUMP VACUUM HOSE	1	F00 F01 F02 F03	
	3505012-F04	真空助力胶管 BRAKE BOOST PUMP VACUUM HOSE		F04 F05	Φ8×15×230
5	3505110-F00	真空助力器总成 VACUUM BOOSTER ASSEMBLY	1	F00 F01 F02 F03	
	3505110-F04	真空助力器总成 VACUUM BOOSTER ASSEMBLY		F04 F05	
6	3505011-D01	真空助力泵胶垫 GASKET, VACUUM BOOSTER	1	F00 F01 F02 F03	
	3505011-F04	真空助力泵胶垫 GASKET, VACUUM BOOSTER		F04 F05	

驻车制动操纵总成 PARKING BRAKE CONTROLLER ASSEMBLY

188

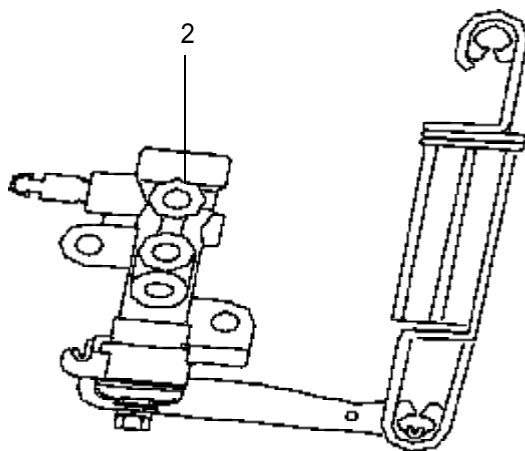
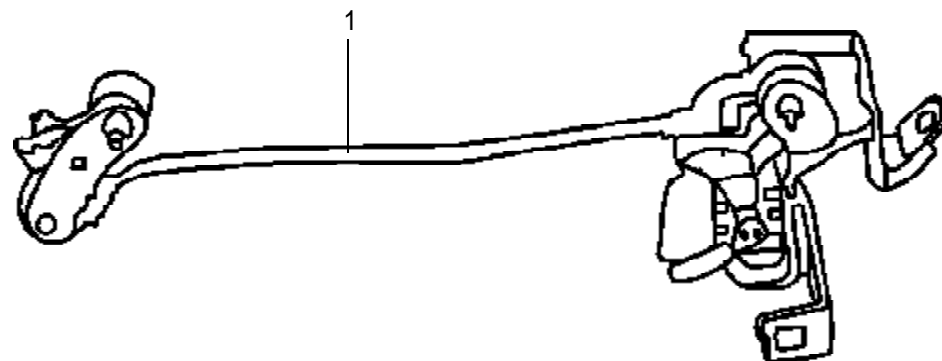


驻车制动操纵总成 PARKING BRAKE CONTROLLER ASSEMBLY

序号 S/N	零部件代号 PART CODE	零部件名称 PART NAME	用量 QTY	适用车型 VEHICLE APPLICABLE TO	备注 REMARK
1	4134024-D01	驻车制动灯开关 PARKING BRAKE LAMP SWTICH	1	F02 F03	
2	3508110-D01	驻车制动拉把总成 PARKING BRAKE HANDLE ASSEMBLY(INSTRUMENT PANEL HAND BRAKE)	1	F02 F03	前置手刹
3	3508120-F00	驻车制动前端拉线总成 FRONT CABLE ASSEMBLY,PARKING BRAKE(INSTRUMENT PANEL HAND BRAKE)	1	F02 F03	前置手刹
4	3508110-D07	驻车制动拉把总成 PARKING BRAKE HANDLE ASSEMBLY (FLOOR CONSOLE HAND BRAKE)	1	F00 F01 F04 F05	中置手刹
5	3508130-F00	驻车制动杠杆总成 PARKING BRAKE LEVER ASSEMBLY(INSTRUMENT PANEL HAND BRAKE)	1	F02 F03	前置手刹
6	3502400-F00	右驻车制动操纵拉线总成 PARKING BRAKE CABLE ASSEMBLY,RH(INSTRUMENT PANEL HAND BRAKE)	1	F02 F03	前置手刹
	3502400-F00-B1	右驻车制动操纵拉线总成 PARKING BRAKE CABLE ASSEMBLY,RH (FLOOR CONSOLE HAND BRAKE)		F00 F01	中置手刹
7	3502300-F00	左驻车制动操纵拉线总成 PARKING BRAKE CABLE ASSEMBLY,LH(INSTRUMENT PANEL HAND BRAKE)	1	F02 F03	前置手刹
	3502300-F00-B1	左驻车制动操纵拉线总成 PARKING BRAKE CABLE ASSEMBLY,LH (FLOOR CONSOLE HAND BRAKE)		F00 F01	中置手刹

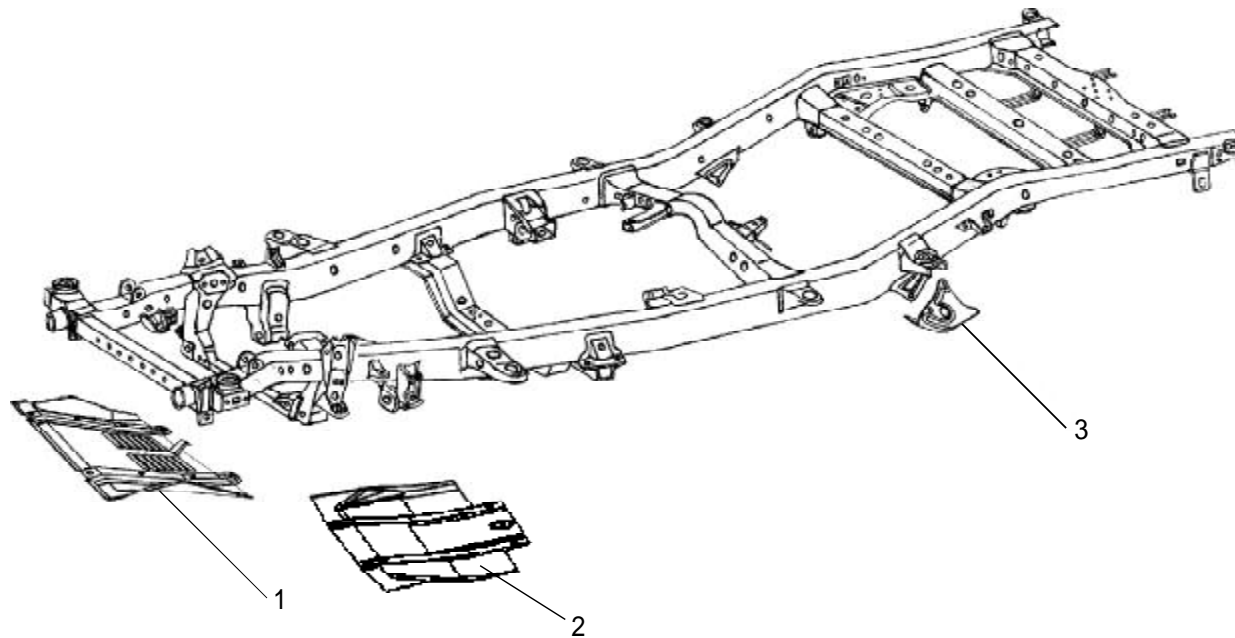


感载比例阀总成 LOAD-SENSING PROPORTIONING VALVE ASSEMBLY

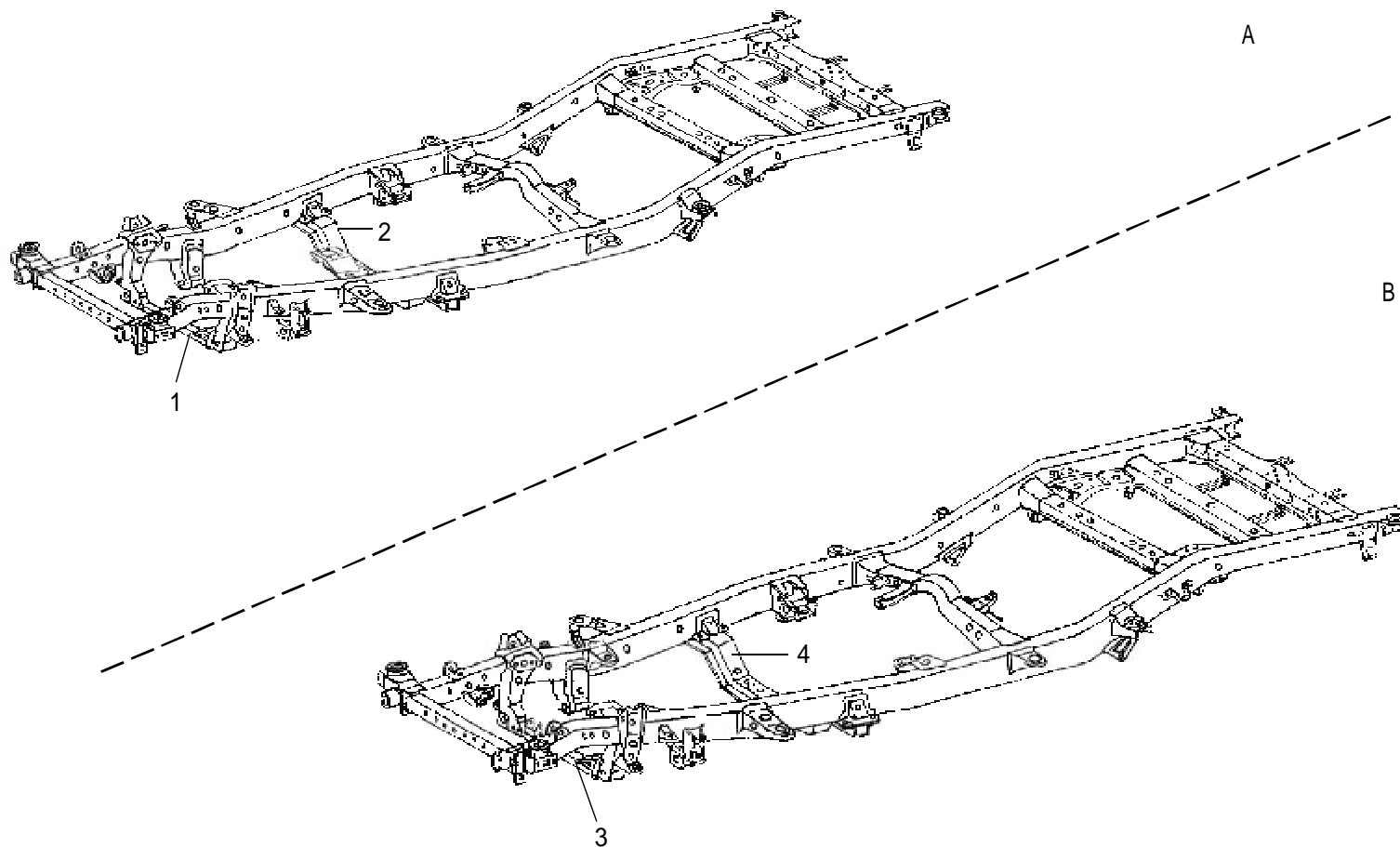


发动机导流板 ENGINE MUDGUARD

192



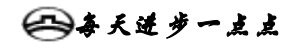
车架总成 FRAME ASSEMBLY



194

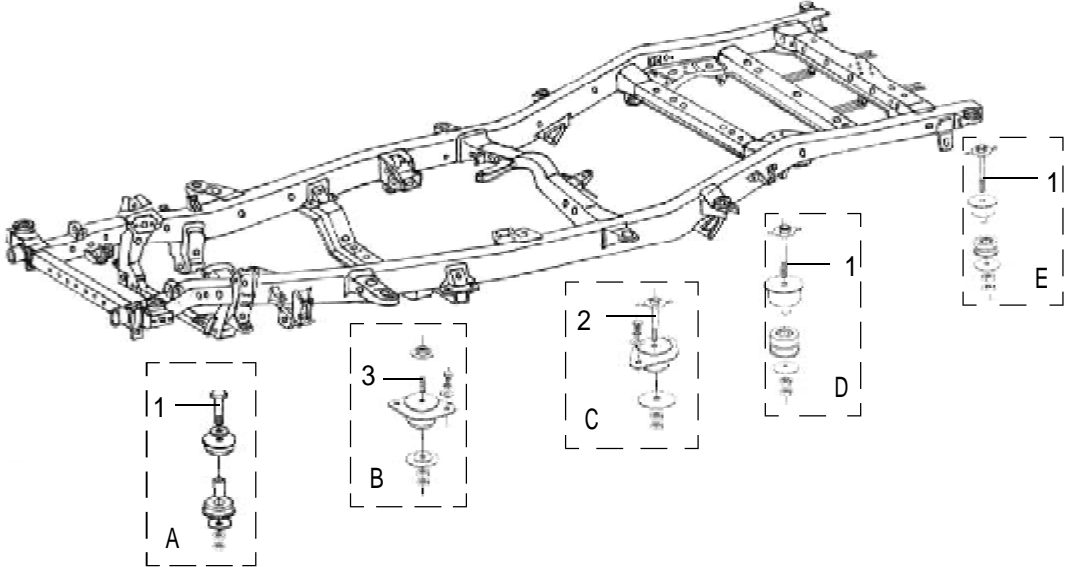
车架总成 FRAME ASSEMBLY

序号 S/N	零部件代号 PART CODE	零部件名称 PART NAME	用量 QTY	适用车型 VEHICLE APPLICABLE TO	备注 REMARK
A	2800100-F00-B1	车架总成 FRAME ASSEMBLY	1	F00	
	2800100-F02	车架总成 FRAME ASSEMBLY		F02	
	2800000-F00	车架总成 FRAME ASSEMBLY		F00 F04	
	2800000-F00-B1	车架总成 FRAME ASSEMBLY		F00 F04	出口车用 EXPORT
B	2800100-F01-B1	车架总成 FRAME ASSEMBLY (ELECTRICALLY-CONTROLLED 4WD)	1	F01	电控四驱
	2800100-F01-C1	车架总成 FRAME ASSEMBLY (4WD, MADE IN KOREA, FLOOR CONSOLE HAND BRAKE)			韩国四驱 中置手刹
	2800100-F03-B1	车架总成 FRAME ASSEMBLY (4WD, MADE IN KOREA INSTRUMENT PANEL HAND BRAKE)			韩国四驱 前置手刹
	2800100-F03	车架总成 FRAME ASSEMBLY		F03	
	2800100-F03	车架总成 FRAME ASSEMBLY		F01 F05	
1	2800110-F00-B1	车架第二横梁 FRAME CROSS MEMBER,NO.2	1	F00 F01 F02 F03	
2	2800120-F00-B1	车架第三横梁 FRAME CROSS MEMBER,NO.3	1	F01	
3	2800110-F01-C1	车架第二横梁 FRAME CROSS MEMBER,NO.2	1	F00 F01 F02 F03	
4	2800120-F01-C1	车架第三横梁 FRAME CROSS MEMBER,NO.3	1	F01	



整车悬置总成 BODY MOUNT ASSEMBLY

196



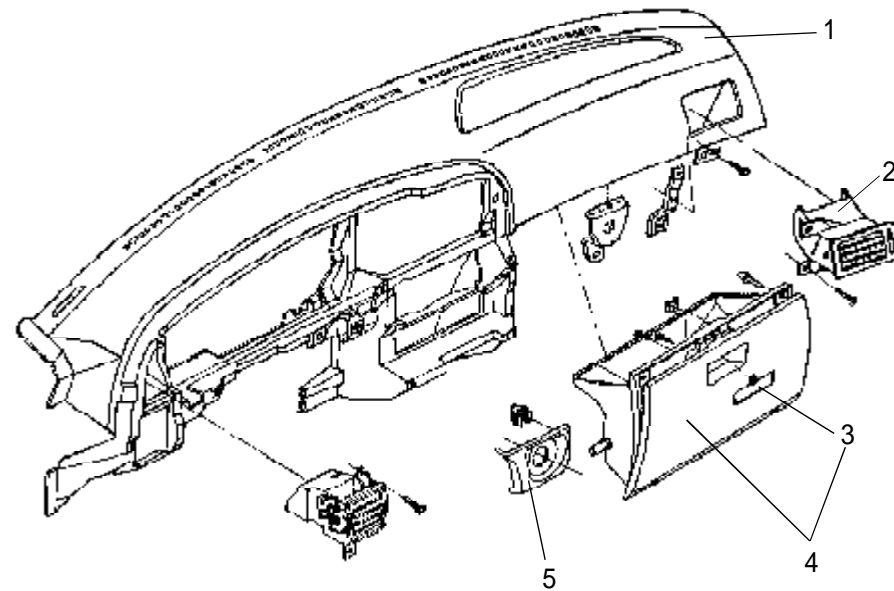
整车悬置总成 BODY MOUNT ASSEMBLY

序号 S/N	零部件代号 PART CODE	零部件名称 PART NAME	用量 QTY	适用车型 VEHICLE APPLICABLE TO	备注 REMARK
A	5001010-F00	车身第一悬置总成 BODY MOUNT ASSEMBLY,NO.1	2	F00 F01 F02 F03	
B	5001020-F00	车身第二悬置总成 BODY MOUNT ASSEMBLY,NO.2	2		
C	5001030-F00	车身第三悬置总成 BODY MOUNT ASSEMBLY,NO.3	2		
D	5001040-F00	车身第四悬置总成 BODY MOUNT ASSEMBLY,NO.4	2		
E	5001050-F00	车身第五悬置总成 BODY MOUNT ASSEMBLY,NO.5	2		
1	5001401-F00	车身第四、五悬置螺栓 MOUNT BOLT,NO.4 AND 5	4		
2	5001301-F00	车身第三悬置螺栓 MOUNT BOLT,NO.3	2		
3	5001201-F00	车身第二悬置螺栓 MOUNT BOLT,NO.2	2		
4	5001017-D01	车身第一悬置螺栓 MOUNT BOLT,NO.1	2		



仪表板总成（一） INSTRUMENT PANEL ASSEMBLY (1)

198



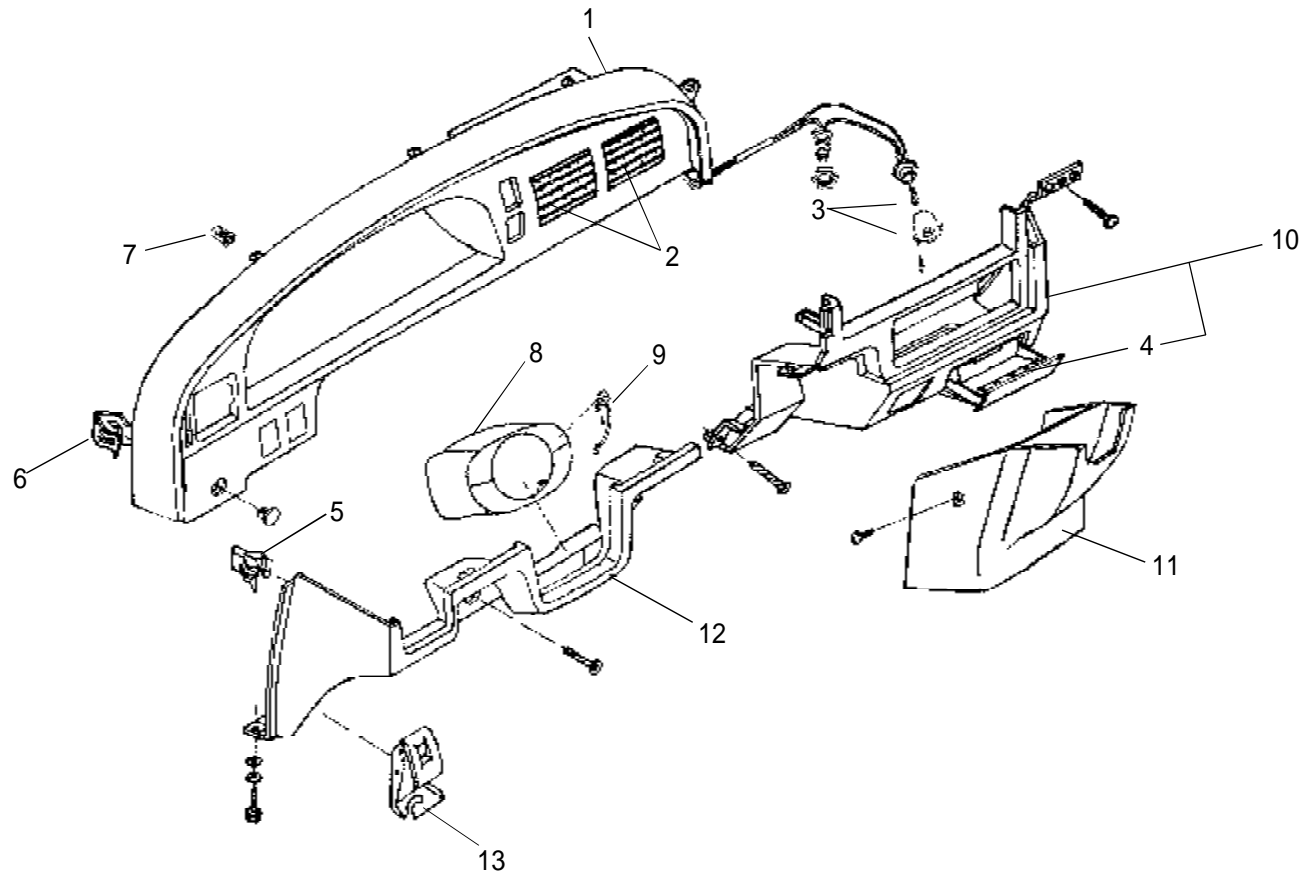
仪表板总成(一) INSTRUMENT PANEL ASSEMBLY (1)

序号 S/N	零部件代号 PART CODE	零部件名称 PART NAME	用量 QTY	适用车型 VEHICLE APPLICABLE TO	备注 REMARK
	5306100-F00-B1-0314	仪表板总成 INSTRUMENT PANEL ASSEMBLY (MODEL 2003, LIGHT COFFEE)	1	F00 F01	2003 款浅咖啡色
1	5306111-F00-B1-0314	仪表板本体 INSTRUMENT PANEL (MODEL 2003, LIGHT COFFEE)	1	F00 F01	2003 款浅咖啡色
2	5306114-F02	仪表板右风口 AIR TUNNEL, INSTRUMENT PANEL, RH (MAHOGANY PATTERN PURPLISH RED)	1	F02 F03	桃木纹枣红
	5306114-F02-B1	仪表板右风口 AIR TUNNEL, INSTRUMENT PANEL, RH (MAHOGANY PATTERN LIGHT YELLOW)			桃木纹浅黄
	5306114-F00-B1	仪表板右风口 AIR TUNNEL, INSTRUMENT PANEL, RH (GLOSSY MAHOGANY PATTERN PURPLISH RED)		F00 F01 F02 F03	亚光桃木纹枣红色
3	5306161-F02-B1-0313	杂物箱手扣 HANDLE,GLOVE BOX (MAHOGANY PATTERN PURPLISH RED)	1	F00 F01 F02 F03	桃木纹枣红
	5306161-F00-B1-0314	杂物箱手扣 HANDLE,GLOVE BOX (GLOSSY MAHOGANY PATTERN PURPLISH RED)			亚光桃木纹枣红色
4	5306160-F00-0803	杂物箱总成 GLOVE BOX ASSEMBLY	1		
5	5306104-D01-0803	点火开关面罩 TRIM COVER,IGNITION SWITCH	1	F00 F01	



仪表板面罩 INSTRUMENT PANEL TRIM PANEL

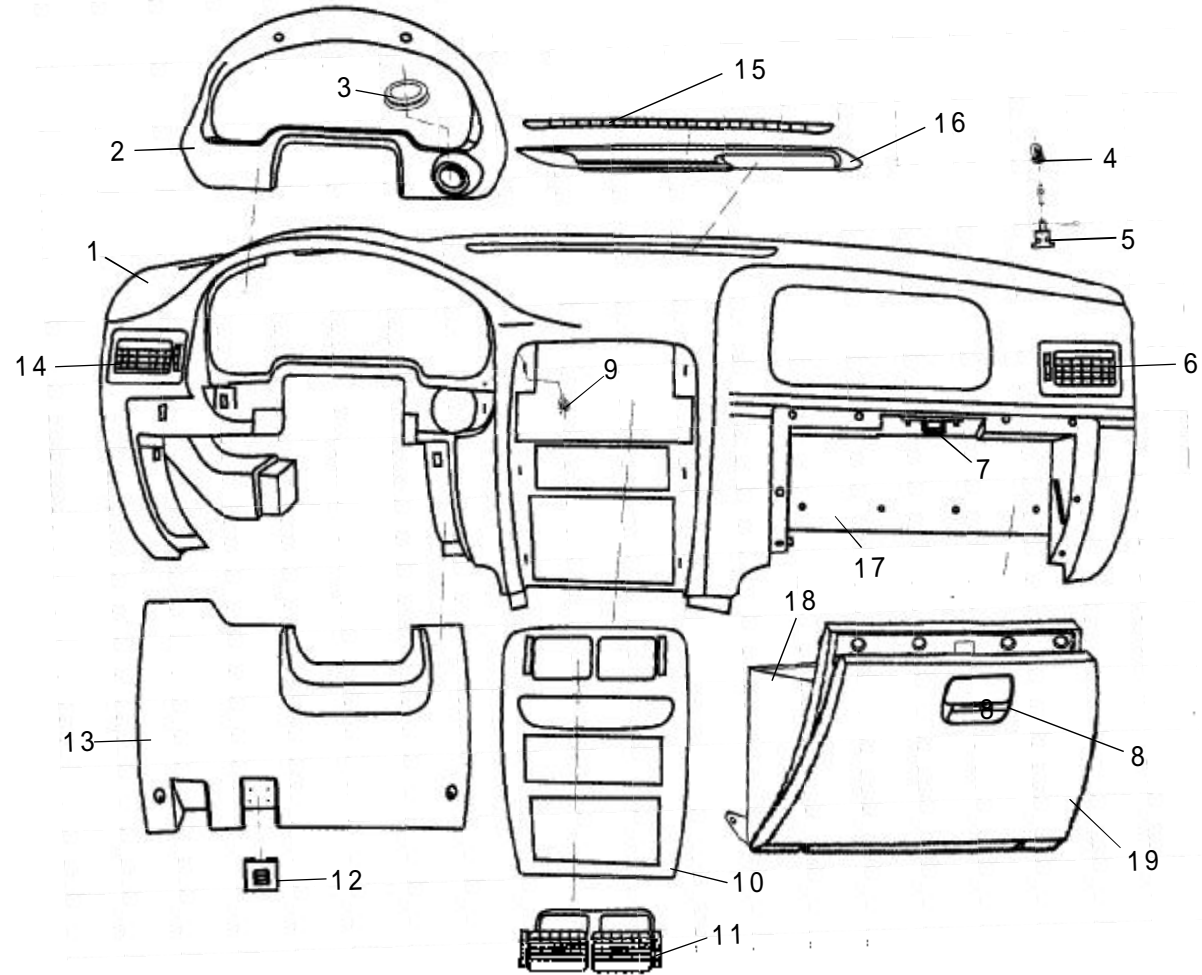
200



仪表板面罩 INSTRUMENT PANEL TRIM PANEL

序号 S/N	零部件代号 PART CODE	零部件名称 PART NAME	用量 QTY	适用车型 VEHICLE APPLICABLE TO	备注 REMARK
1	5306121-F02-B1-0313	仪表板装饰面罩 DASHBOARD TRIM PANEL (MAHOGANY PATTERN PURPLISH RED)	1	F02 F03	桃木纹枣红色
	5306121-F00-B1-0314	仪表板装饰面罩 DASHBOARD TRIM PANEL (LIGHT COFFEE)		F00 F01	浅咖啡色
	5306121-F00-C1-0314	仪表板装饰面罩 DASHBOARD TRIM PANEL (GLOSSY MAHOGANY PATTERN PURPLISH RED)			亚光桃木纹枣红色
2	5306122-D01-0803	仪表板中通风口总成 AIR VENT,MIDDLE	2	F00 F01 F02 F03	
3	5306135-D01	仪表板烟灰缸灯 LAMP ASSEMBLY,ASHTRAY	1		
4	5306132-F02	仪表板烟灰缸 ASHTRAY (MAHOGANY PATTERN PURPLISH RED)	1		桃木纹枣红色
5	5306103-D01	二号铁卡子 IRON CLIP,NO.2	10		F00 F01 F02 F03
6	5306102-D01	一号铁卡子 IRON CLIP NO. 1	1		
7	5306112-D01	仪表板前缘固定卡扣 FRONT CLIP,INSTRUMENT PANEL	5		
8	5306200-F00-B1-0314	组合开关面罩总成 TRIM PANEL,MULTI-FUNCTION SWITCH (LIGHT COFFEE)	1	F00 F01	浅咖啡色
9	3774011-D01	延时灯 DELAY LAMP	1	F00 F01 F02 F03	
10	5306130-D01-0314	仪表板中下部面罩总成 MIDDLE LOWER TRIM PANEL ASSEMBLY,INSTRUMENT PANEL (LIGHT COFFEE)	1	F02 F03	浅咖啡色
11	5306101-D01-0314	仪表板中央下围 LOWER WALL,MIDDLE (LIGHT COFFEE)	1		
12	5306141-D01-0314	仪表板左下面罩 BOTTOM LEFT TRIM PANEL,INSTRUMENT PANEL (LIGHT COFFEE)	1		
13	5306142-D01-0314	发动机罩锁扣手 HANDLE,ENGINE LOCK (LIGHT COFFEE)	1		

仪表板总成 (二) INSTRUMENT PANEL ASSEMBLY (2)



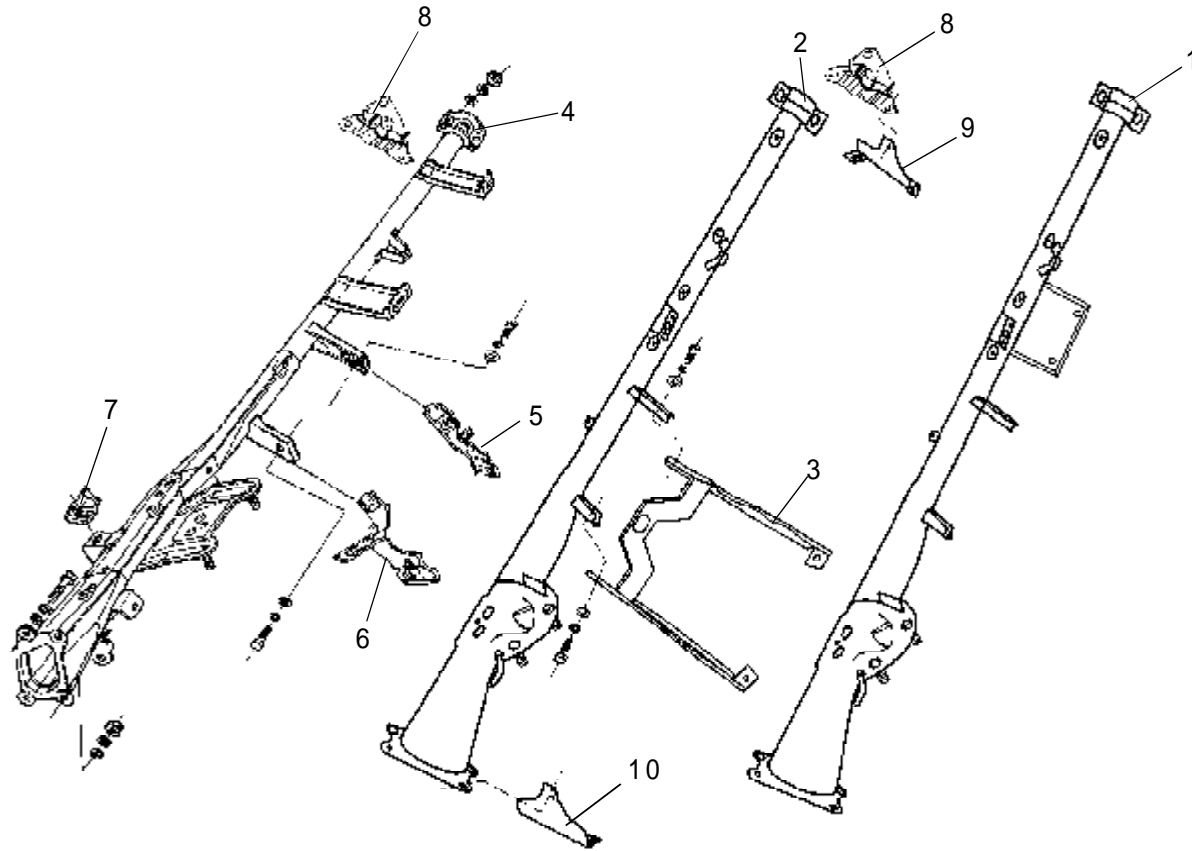
202

仪表板总成（二） INSTRUMENT PANEL ASSEMBLY (2)

序号 S/N	零部件代号 PART CODE	零部件名称 PART NAME	用量 QTY	适用车型 VEHICLE APPLICABLE TO	备注 REMARK	
	5306100-F00-0314	仪表板总成 INSTRUMENT PANEL ASSEMBLY (LIGHT COFFEE)	1	F00 F01	浅咖啡色	
	5306100-F00-0803	仪表板总成 INSTRUMENT PANEL ASSEMBLY (BLACK)		F00 F01 F04 F05	黑色	
1	5306111-F00-0803	仪表板本体 INSTRUMENT PANEL BODY (BLACK)	1	F00 F01	黑色	
	5306111-F00-0314	仪表板本体 INSTRUMENT PANEL BODY (LIGHT COFFEE)			浅咖啡色	
2	5306121-F00-1209	仪表板装饰面罩 INSTRUMENT TRIM PANEL (SILVER GREY)	1	F00 F01 F04 F05	银灰色	
3	5306105-D07-0803	点火开关胶套 RUBBER SLEEVE,IGNITION SWITCH (BLACK)	1		黑色	
4	5306112-D01	仪表板前缘固定卡扣 FRONT CLIP,INSTRUMENT PANEL	5			
5	5306117-D07	前围安装卡座、插销 MOUNTING CLAMP SEAT AND BOLT,FRONT WALL	5			
6	5306114-F00	仪表板右风口 AIR TUNNEL,RH	1			
7	5303165-D07-0314	杂物箱锁环 LOCK RING,GLOVE BOX (LIGHT COFFEE)	1		浅咖啡色	
8	5306161-F00-0803	杂物箱手扣 HANDLE,GLOVE BOX (BLACK)	1		黑色	
9	5306165-D07-0314	铁卡扣 IRON CLIP	6			
10	5306131-F00-1209	仪表板中央面板 CENTER PANEL (SILVER GREY)	1			银灰色
	5306131-F00-B1-1209	仪表板中央面板 CENTER PANEL (SILVER GREY)				银灰色
11	5306141-D07-0803	仪表板中通风口 AIR VENT,MIDDLE (BLACK)	1		F00 F01	黑色
	5306141-F00-0803	仪表板中通风口 AIR VENT,MIDDLE (BLACK)			F00 F01 F04 F05	黑色
12	5306152-F00-0803	发动机罩锁扣手 HANDLE, ENGINE HOOD (BLACK)	1			黑色
13	5306151-F00-0803	仪表板左下面罩 LOWER TRIM PANEL,INSTRUMENT PANEL,LH (BLACK)	1			黑色
14	5306113-F00	仪表板左风口 AIR VENT,LH	1			
15	5306115-F00-0803	除霜通风栅 DEFROST STRIP (BLACK)	1			黑色
16	5306116-F00-0803	除霜风道 DEFROST STRIP CLIP SEAT (BLACK)	1			黑色
17	5303162-F00-0803	杂物箱底座 BOTTOM SEAT,GLOVE BOX (BLACK)	1			黑色
18	5303163-F00-0803	杂物箱底斗 BOTTOM CONTAINER,GLOVE BOX (BLACK)	1			黑色
19	5303164-F00-0803	杂物箱面板 TRIM PANEL,GLOVE BOX (BLACK)	1		黑色	

仪表板加强梁组件 INSTRUMENT PANEL REINFORCEMENT MEMBER

204



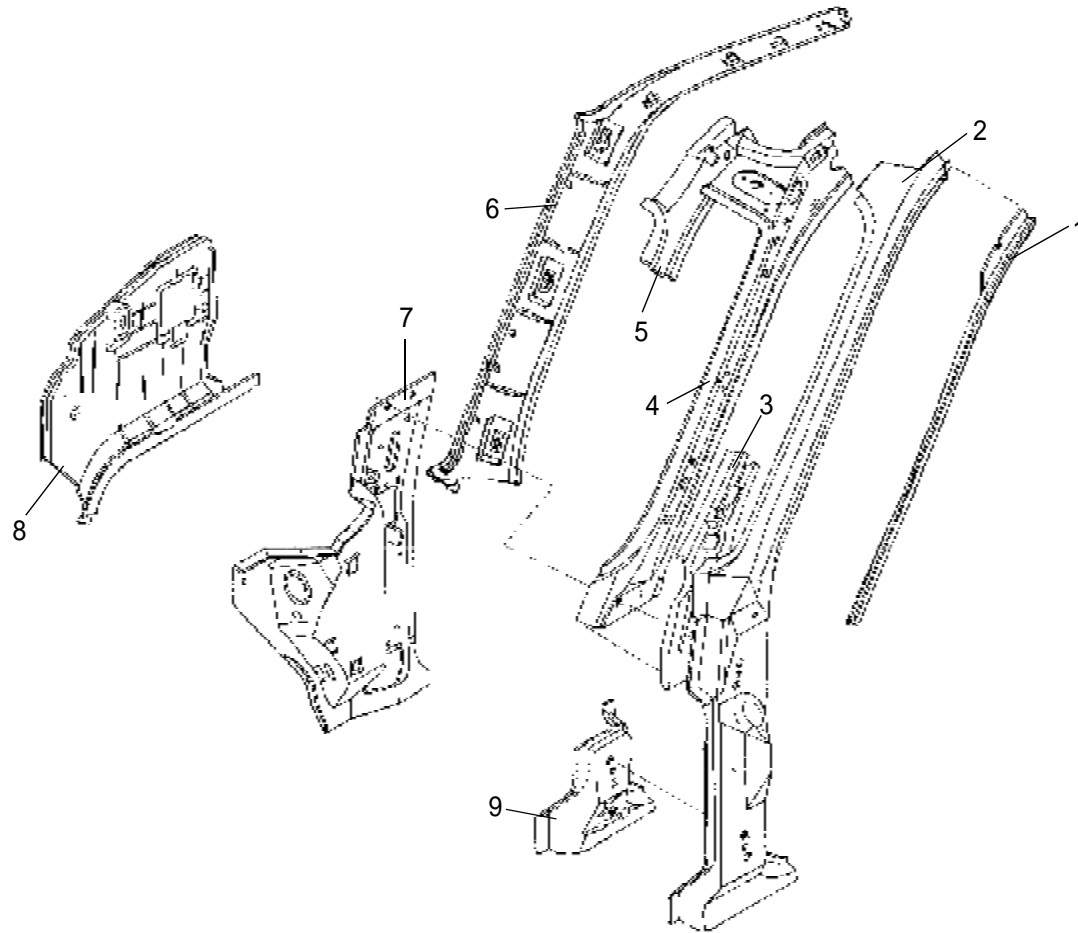
仪表板加强梁组件 INSTRUMENT PANEL REINFORCEMENT MEMBER

序号 S/N	零部件代号 PART CODE	零部件名称 PART NAME	用量 QTY	适用车型 VEHICLE APPLICABLE TO	备注 REMARK
1	5306301-D07-B1	仪表板加强梁 REINFORCEMENT MEMBER,INSTRUMENT PANEL (ELECTRICALLY-CONTROLLED 4WD)		F01	电控四驱
2	5306301-D07	仪表板加强梁 REINFORCEMENT MEMBER,INSTRUMENT PANEL	1	F00 F01	
	5306301-F00	仪表板加强梁 REINFORCEMENT MEMBER,INSTRUMENT PANEL	1	F00 F01 F04 F05	
3	5306306-D07	CD机支架 BRACKET,CD PLAYER	1		
4	5306301-D01	仪表板加强梁 REINFORCEMENT MEMBER,INSTRUMENT PANEL	1	F02 F03	
5	5306303-D01	仪表板加强梁右立支架 BRACKET,RH	1		
6	5306302-D01	仪表板加强梁左立支架 BRACKET,LH	1		
7	5306305-D01	前围支架 BRACKET,FRONT WALL	1	F00 F01 F02 F03 F04 F05	
8	5306304-D01	仪表板加强梁安装支架 MOUNTING BRACKET,REINFORCEMENT MEMBER,INSTRUMENT PANEL	1		
9	5306172-D07	仪表板右端头支架 RIGHT END BRACKET,INSTRUMENT PANEL	1	F00 F01 F04 F05	
10	5306171-D07	仪表板左端头支架 LEFT END BRACKET,INSTRUMENT PANEL	1		



左前立柱总成 LEFT A PILLAR ASSEMBLY

206



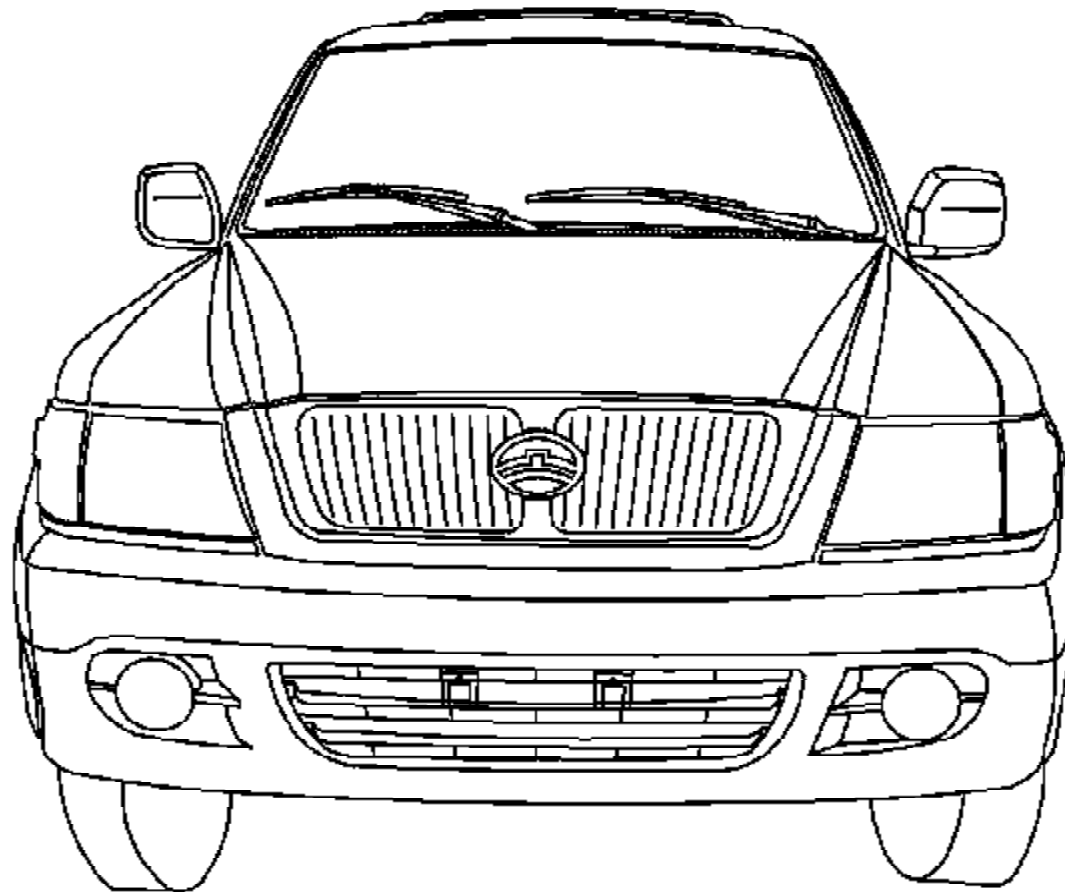
左前立柱总成 LEFT A PILLAR ASSEMBLY

序号 S/N	零部件代号 PART CODE	零部件名称 PART NAME	用量 QTY	适用车型 VEHICLE APPLICABLE TO	备注 REMARK
1	5401111-D01	左前流水槽 FRONT ROOF RAIL,LH	1	F00 F01 F02 F03 F04 F05	
2	5401250-F00	左前立柱外板总成 OUTER PANEL ASSEMBLY, A PILLAR, LH	1		
3	5401310-D01	左前立柱上加强板总成 UPPER REINFORCEMENT PANEL ASSEMBLY, A PILLAR, LH	1		
4	5401113-D01	左前立柱上内板 UPPER INNER PANEL, A PILLAR, LH	1		
5	5401115-D01	左前立柱顶部加强板总成 UPPER REINFORCEMENT PANEL ASSEMBLY, A PILLAR, LH	1		
6	5402011-F00-0314	左上前立柱装饰板 TRIM PANEL,UPPER A PILLAR,LH (LIGHT COFFEE)	1	F00 F01 F02 F03	浅咖啡色
	5402011-F00-0315	左上前立柱装饰板 TRIM PANEL,UPPER A PILLAR,LH (PALE BROWN)		F00 F01 F04 F05	棕黄色
7	5401430-D01	左前立柱下内板 LOWER INNER PANEL, A PILLAR, LH	1	F00 F01 F02 F03 F04 F05	
8	5402013-F00-0314	左下前立柱装饰板 TRIM PANEL,LOWER A PILLAR,LH (LIGHT COFFEE)	1	F00 F01 F02 F03	浅咖啡色
	5402013-F00-0315	左下前立柱装饰板 TRIM PANEL,LOWER A PILLAR,LH (PALE BROWN)		F00 F01 F04 F05	棕黄色
9	5401410-D01	左前立柱下加强板总成 LOWER REINFORCEMENT PANEL ASSEMBLY, A PILLAR, LH	1	F00 F01 F02 F03 F04 F05	

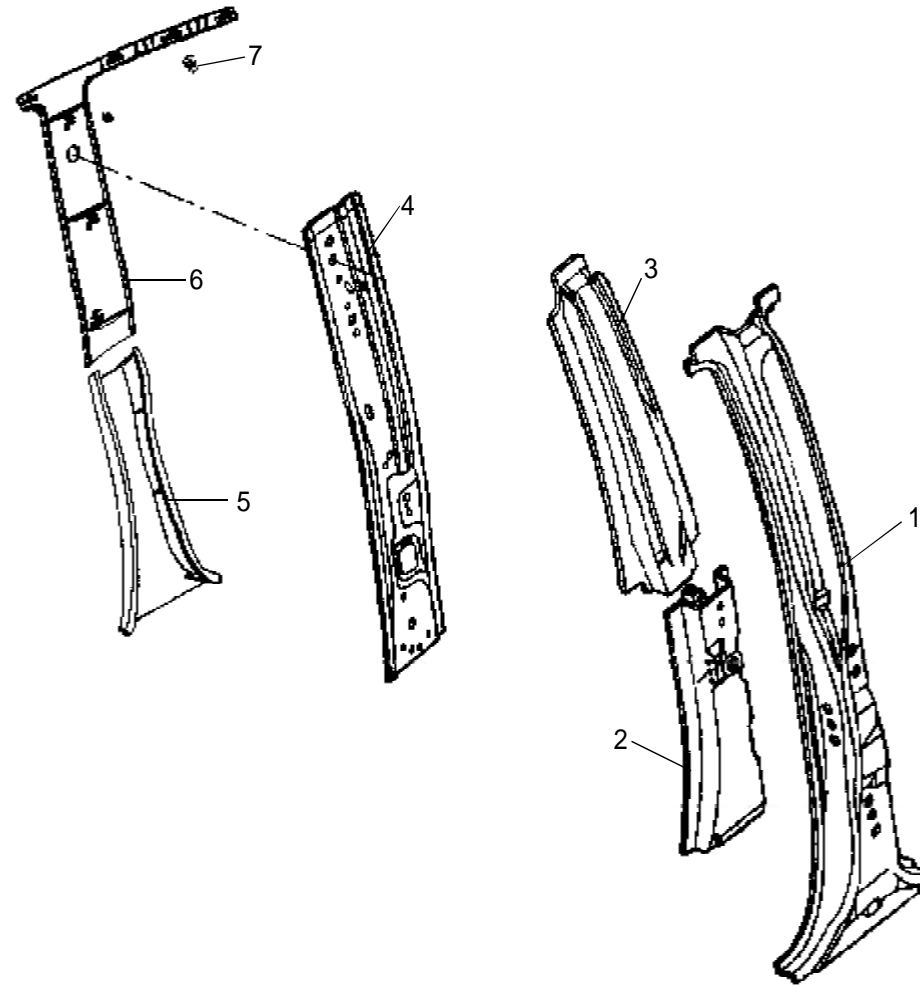


右前立柱总成 RIGHT A PILLAR ASSEMBLY

序号 S/N	零部件代号 PART CODE	零部件名称 PART NAME	用量 QTY	适用车型 VEHICLE APPLICABLE TO	备注 REMARK
1	5401112-D01	右前流水槽 FRONT ROOF RAIL,RH	1	F00 F01 F02 F03 F04 F05	
2	5401240-F00	右前立柱外板总成 OUTER PANEL ASSEMBLY, A PILLAR, RH	1		
3	5401320-D01	右前立柱上加强板总成 UPPER REINFORCEMENT PANEL, A PILLAR, RH	1		
4	5401114-D01	右前立柱上内板 UPPER INNER PANEL,A PILLAR,RH	1		
5	5401116-D01	右前立柱顶部加强板 UPPER REINFORCEMENT PANEL, A PILLAR, RH	1		
6	5402012-F00-0314	右上前立柱装饰板 TRIM PANEL,UPPER A PILLAR,RH (LIGHT COFFEE)	1	F00 F01 F02 F03	浅咖啡色
	5402012-F00-0315	右上前立柱装饰板 TRIM PANEL,UPPER A PILLAR,RH (PALE BROWN)		F00 F01 F04 F05	棕黄色
7	5401440-D01	右前立柱下内板 LOWER INNER PANEL,A PILLAR,RH	1	F00 F01 F02 F03 F04 F05	
8	5402014-F00-0314	右下前立柱装饰板 LOWER TRIM PANEL, A PILLAR, RH (LIGHT COFFEE)	1	F00 F01 F02 F03	浅咖啡色
	5402014-F00-0315	右下前立柱装饰板 LOWER TRIM PANEL, A PILLAR, RH (PALE BROWN)		F00 F01 F04 F05	棕黄色
9	5401420-D01	右前立柱下加强板总成 LOWER REINFORCEMENT PANEL ASSEMBLY, A PILLAR, RH	1	F00 F01 F02 F03 F04 F05	



左中立柱总成 LEFT B PILLAR ASSEMBLY



左中立柱总成 LEFT B PILLAR ASSEMBLY

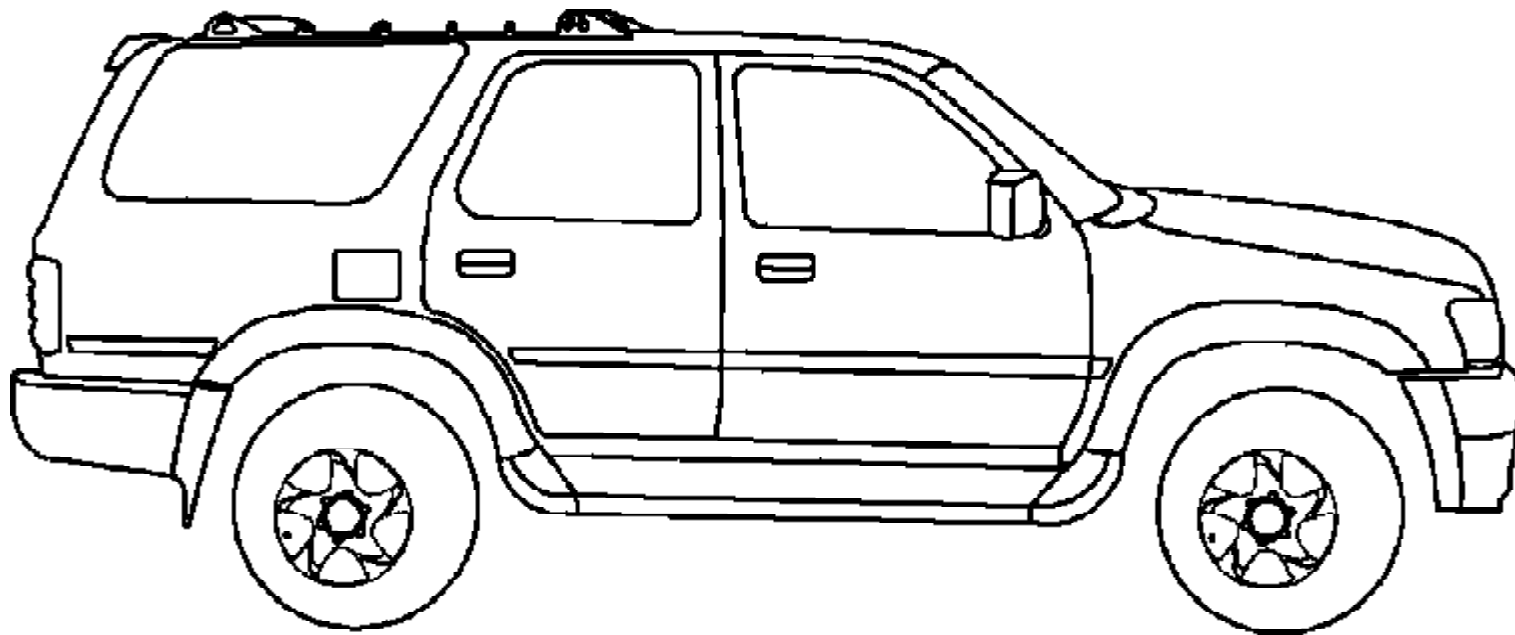
序号 S/N	零部件代号 PART CODE	零部件名称 PART NAME	用量 QTY	适用车型 VEHICLE APPLICABLE TO	备注 REMARK
1	5401131-D01	左中立柱外板 OUTER PANEL, B PILLAR, LH	1	F00 F01 F02 F03 F04 F05	
2	5401610-D01	左中立柱下加强板总成 LOWER REINFORCEMENT PANEL ASSEMBLY, B PILLAR, LH	1		
3	5401550-D01	左中立柱上加强板 UPPER REINFORCEMENT, B PILLAR, LH	1		
4	5401510-D01	左中立柱内板总成 INNER PANEL ASSEMBLY, B PILLAR, LH	1		
5	5402017-F00-0315	左下中立柱内饰板 LOWER TRIM PANEL, B PILLAR, LH (PALE BROWN)	5	F00 F01 F04 F05	棕黄色
6	5402015-F00-0315	左上中立柱内饰板 UPPER TRIM PANEL, B PILLAR, LH (PALE BROWN)	1		棕黄色
	5402015-F00-0314	左上中立柱内饰板 UPPER TRIM PANEL, B PILLAR, LH (LIGHT COFFEE)		F00 F01 F02 F03	浅咖啡色
7	5402023-F00	中立柱铁卡扣 CLIP, B PILLAR	4	F00 F01 F02 F03 F04 F05	



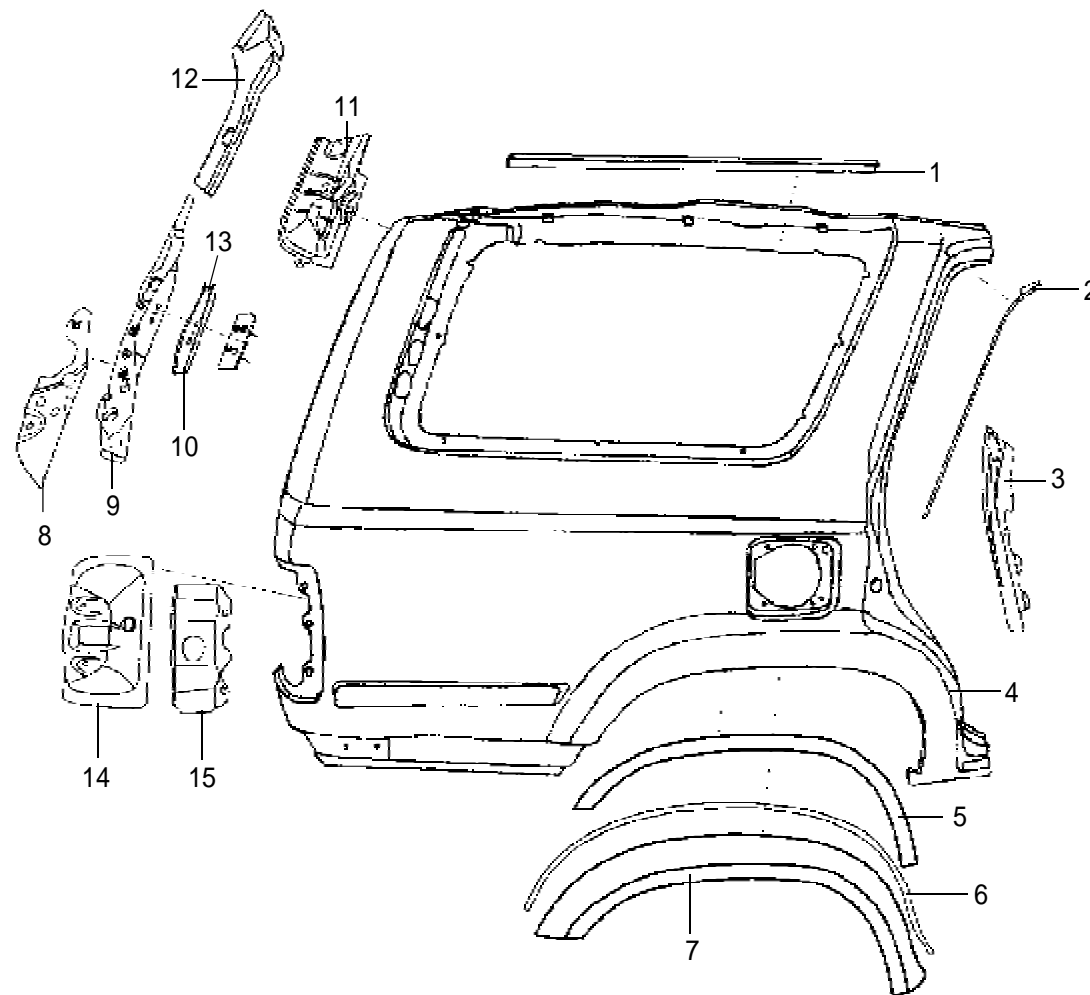
右中立柱总成 RGHT B PILLAR ASSEMBLY

序号 S/N	零部件代号 PART CODE	零部件名称 PART NAME	用量 QTY	适用车型 VEHICLE APPLICABLE TO	备注 REMARK
1	5401132-D01	右中立柱外板 OUTER PANEL, B PILLAR, RH	1	F00 F01 F02 F03 F04 F05	
2	5401620-D01	右中立柱下加强板总成 LOWER REINFORCEMENT PANEL ASSEMBLY, B PILLAR, RH	1		
3	5401560-D01	右中立柱上加强板总成 UPPER REINFORCEMENT ASSEMBLY, B PILLAR, RH	1		
4	5401520-D01	右中立柱内板总成 INNER PANEL ASSEMBLY, B PILLAR, RH	1		
5	5402018-F00-0315	右下中立柱内饰板 LOWER TRIM PANEL, B PILLAR, RH (PALE BROWN)	1	F00 F01 F04 F05	棕黄色
6	5402016-F00-0315	右上中立柱内饰板 UPPER TRIM PANEL, B PILLAR, RH (PALE BROWN)	1		棕黄色
	5402016-F00-0314	右上中立柱内饰板 UPPER TRIM PANEL, B PILLAR, RH (LIGHT COFFEE)		F00 F01 F02 F03	浅咖啡色
7	5402022-F00	中立柱铁卡扣 CLIP, B PILLAR	4	F00 F01 F02 F03 F04 F05	





后侧围（一）——后侧围外板 REAR BODY SIDE (1)- REAR BODY SIDE OUTER PANEL



214

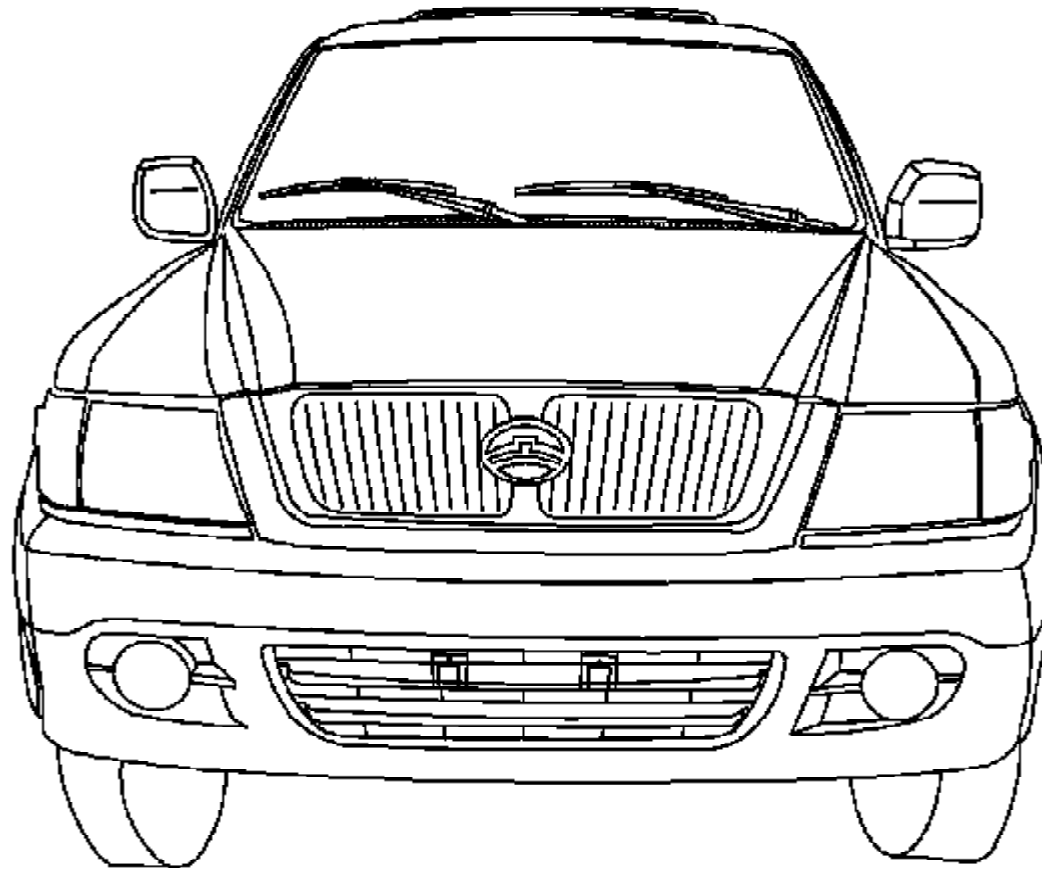
后侧围（一）—— 左后侧围外板 LEFT REAR BODY SIDE (1)- REAR BODY SIDE OUTER PANEL

序号 S/N	零部件代号 PART CODE	零部件名称 PART NAME	用量 QTY	适用车型 VEHICLE APPLICABLE TO	备注 REMARK
1	5401177-F00	左后侧围顶流水槽 ROOF RAIL,REAR BODY SIDE,LH	1	F00 F01 F02 F03 F04 F05	
2	5401181-F00	左后门侧流水槽 REAR SIDE ROOF RAIL,DOOR,LH	1		
3	5401175-F00	左后侧围外板补强 REINFORCEMENT,REAR OUTER WALL,LH	1		
4	5401171-F00	左后侧围外板 OUTER PANEL, REAR BODY SIDE,LH	1		
5	5006013-F00	左后轮眉 WHEEL OPENING MOULDING,REAR,LH	1		
6	5006022-F00	轮眉胶条 RUBBER STIP, WHEEL OPENING MOULDING (SUPER LUXURY)	1	F00 F01 F04 F05	超豪华
7	5006013-F00-B1	左后轮眉 WHEEL OPENING MOULDING,REAR,LH (SUPER LUXURY)	1		超豪华
8	5401830-F00	左后侧围外板后下端板配件 C3 总成 LEFT BACK WALL OUTER PLATE BOTTOM PART C3 ASSEMBLY	1	F00 F01 F02 F03 F04 F05	
9	5401731-F00	左后侧围外板后下端板 REAR LOWER END,REAR WALL OUTER PANEL,LH	1		
10	5401739-F00	后侧围外板补强配件 C3 REINFORCEMENT,REAR WALL	1		
11	5401710-F00	左后侧围外板尾端板总成 END KIT , REAR BODY SIDE OUTER PANEL, LH	1		
12	5401173-F00	后侧围外板尾端板配件 BACK WALL OUTER PANEL TAIL PART	1		
13	5401737-F00	左后墙外板后下端板配件 C5 OUTER PLATE BOTTOM PART C5 ASSEMBLY, REAR SIDE BODY,LH	1		
14	5401733-F00	左后墙外板后下端板配件 C1 OUTER PLATE BOTTOM PART C1 ASSEMBLY, REAR SIDE BODY,LH	1		
15	5401735-F00	左后侧围外板后下端板配件 C2 OUTER PLATE BOTTOM PART C2 ASSEMBLY, REAR SIDE BODY,LH	1		

后侧围（一）—— 右后侧围外板 RIGHT REAR BODY SIDE (1)- REAR BODY SIDE OUTER PANEL

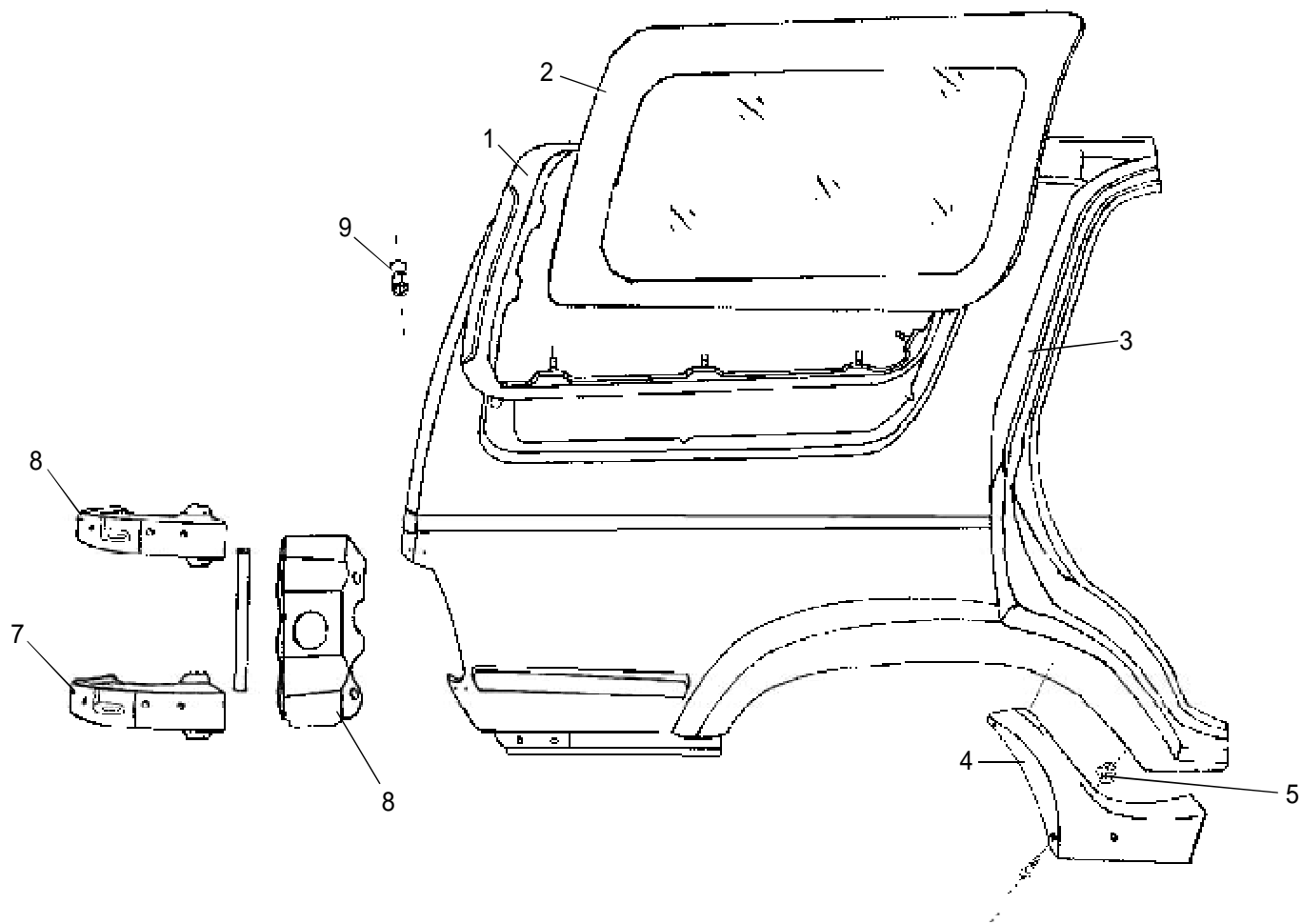
序号 S/N	零部件代号 PART CODE	零部件名称 PART NAME	用量 QTY	适用车型 VEHICLE APPLICABLE TO	备注 REMARK
1	5401178-F00	右后侧围顶流水槽 ROOF RAIL,REAR BODY SIDE,RH	1	F00 F01 F02 F03 F04 F05	
2	5401182-F00	右后门侧流水槽 REAR SIDE ROOF RAIL,DOOR,LH	1		
3	5401176-F00	右后侧围外板补强 REINFORCEMENT,REAR OUTER WALL,RH	1		
4	5401172-F00	右后侧围外板 OUTER PANEL, REAR BODY SIDE,RH	1		
	5401172-F00-B1	右后侧围外板 OUTER PANEL, REAR BODY SIDE,RH		F00 F01 F04 F05	
5	5006014-F00	右后轮眉 WHEEL OPENING MOULDING,REAR,RH	1	F00 F01 F02 F03 F04 F05	
6	5006022-F00	轮眉胶条 RUBBER STIP, WHEEL OPENING MOULDING (SUPER LUXURY)	1	F00 F01 F04 F05	超豪华
7	5006014-F00-B1	右后轮眉 WHEEL OPENING MOULDING,REAR,RH (SUPER LUXURY)	1		超豪华
8	5401840-F00	右后侧围外板后下端板配件 C3 总成 RIGHT BACK WALL OUTER PANEL BOTTOM PART C3 ASSEMBLY	1	F00 F01 F02 F03 F04 F05	
9	5401732-F00	右后侧围外板后下端板 REAR LOWER END,REAR WALL OUTER PANEL,RH	1		
	5401732-F00-B1	右后侧围外板后下端板 REAR LOWER END,REAR WALL OUTER PANEL,RH		F00 F01 F04 F05	
10	5401739-F00	后侧围外板补强配件 C3 REINFORCEMENT C3,REAR WALL	1	F00 F01 F02 F03 F04 F05	
11	5401720-F00	右后侧围外板尾端板总成 TAIL ASSEMBLY, REAR BODY SIDE OUTER PANEL,LH	1		
12	5401173-F00	后侧围外板尾端板配件 BACK WALL OUTER PANEL TAIL PART	1		
13	5401738-F00	右后墙外板后下端板配件 C5 OUTER PLATE BOTTOM PART C2 ASSEMBLY, REAR SIDE BODY,RH	1		
14	5401734-F00	右后墙外板后下端板配件 C1 OUTER PLATE BOTTOM PART C2 ASSEMBLY,REAR SIDE BODY,RH	1		
15	5401736-F00	右后侧围外板后下端板配件 C2 OUTER PLATE BOTTOM PART C2 ASSEMBLY,REAR SIDE BODY,RH	1		

216



后侧围（二）——外负备胎及侧窗附件 REARBODY SIDE(2)-SPARE TIRE AND SIDE WINDOW ACCESSORIES

218

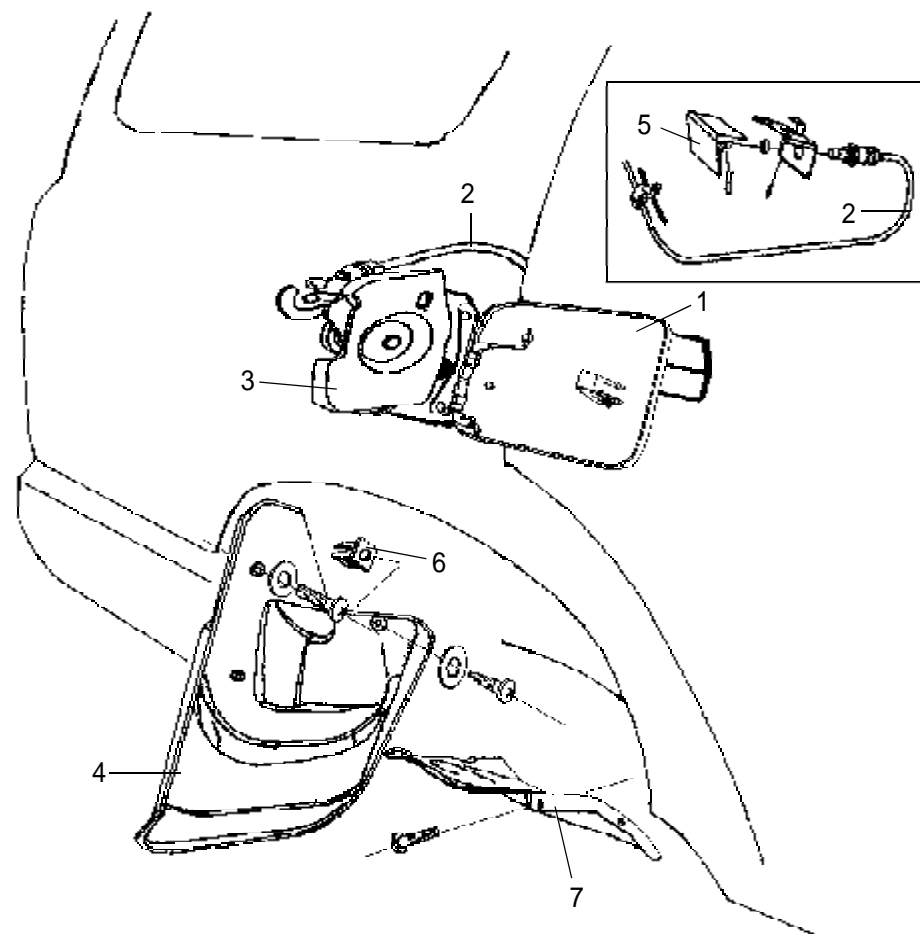


后侧围（二）—— 外负备胎及侧窗附件

REAR BODY SIDE (2)-SPARE TIRE AND SIDE WINDOW ACCESSORIES

序号 S/N	零部件代号 PART CODE	零部件名称 PART NAME	用量 QTY	适用车型 VEHICLE APPLICABLE TO	备注 REMARK
1	5403015-F00	左后侧围窗玻璃胶条 RUBBER STRIP, BODY SIDE WINDOW GLASS, LH	1	F00 F01 F04 F05	
	5403016-F00	右后侧围窗玻璃胶条 RUBBER STRIP, BODY SIDE WINDOW GLASS, RH	1		
2	5403011-F00	左后侧围窗玻璃 GLASS, BODY SIDE WINDOW, LH	1	F00 F01 F02 F03 F04 F05	
	5403012-F00	右后侧围窗玻璃 GLASS, BODY SIDE WINDOW, RH(WITH ANTENNA)	1		带天线
	5403012-F00-B1	右后侧围窗玻璃 GLASS, BODY SIDE WINDOW, RH			
3	5401171-F00	左后侧围外板 OUTER PANEL, REAR BODY SIDE,LH	1	F00 F01 F04 F05	
	5401172-F00	右后侧围外板 OUTER PANEL, REAR BODY SIDE,RH	1		
	5401172-F00-B1	右后侧围外板 OUTER PANEL, REAR BODY SIDE,RH (FOR BACK SPARE TIRE)	1		背负式备胎用
4	6202031-F00	左后侧面车门下包角 LEFT BACK SIDE DOOR LOWER ANGLE	1	F00 F01 F02 F03 F04 F05	
	6202032-F00	右后侧面车门下包角 RIGHT BACK SIDE DOOR LOWER ANGLE	1		
5	6202034-F00	方扣 L-3 CLIP L-3	4		
6	5401736-F00	右后侧围外板后下端板配件 C2 OUTER PLATE BOTTOM PART C2 ASSEMBLY,REAR SIDE BODY,RH	1		
7	5401810-F00	备胎下加强座分总成 LOWER REINFORCEMENT SEAT,SPARE TIRE	1		
8	5401790-F00	备胎上加强座分总成 UPPER REINFORCEMENT SEAT,SPARE TIRE	1		
9	5403013-F00	内六角螺母 NUT	6		

后侧围（三）——油箱门附件及挡泥板
REAR BODY SIDE (3)- FUEL FILLER DOOR ACCESSORIES AND MUDGUARD



220

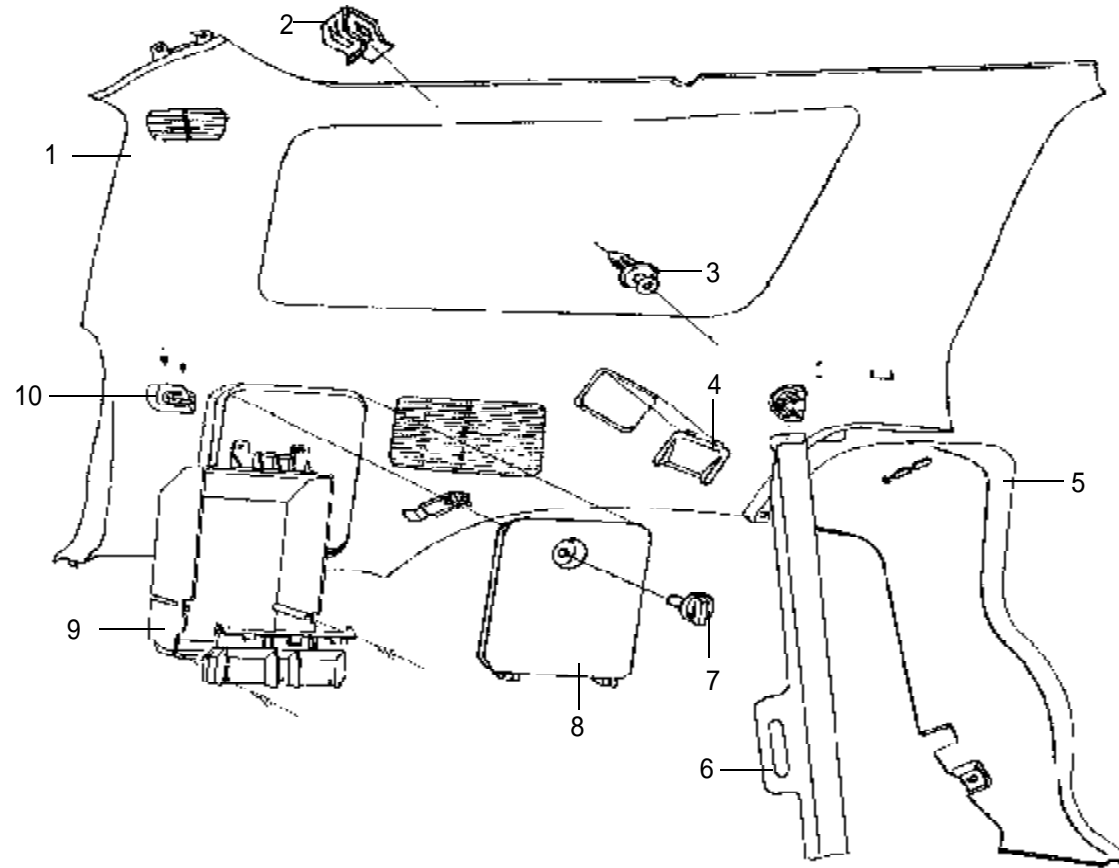
后侧围（三）—— 油箱门附件及挡泥板

REAR BODY SIDE (3)- FUEL FILLER DOOR ACCESSORIES AND MUDGUARD

序号 S/N	零部件代号 PART CODE	零部件名称 PART NAME	用量 QTY	适用车型 VEHICLE APPLICABLE TO	备注 REMARK
1	5401025-F00	油箱门 FUEL-FILLER DOOR	1	F00 F01 F02 F03 F04 F05	
2	5401022-F00	油箱门拉线 CABLE, FUEL-FILLER DOOR	1		
3	5401024-F00	油箱门锁 FUEL-FILLER DOOR LOCK	1		
4	5401017-F00	左后轮挡泥板 REAR MUDGUARD,LH (MODEL 2004)	1	F00 F01	2004 款
	5401017-F00-C1	左后轮挡泥板 REAR MUDGUARD,LH		F02 F03	
	5401017-F00-B1	左后轮挡泥板 REAR MUDGUARD,LH (MODEL 2004,BIG WHEEL OPENING MOULDING)		F00 F01 F04 F05	2004 款大轮眉用
	5401018-F00	右后轮挡泥板 REAR MUDGUARD,RH (MODEL 2004)	1	F00 F01	2004 款
	5401018-F00-C1	右后轮挡泥板 REAR MUDGUARD,RH		F02 F03	
	5401018-F00-B1	右后轮挡泥板 REAR MUDGUARD,RH (MODEL 2004,BIG WHEEL OPENING MOULDING)		F00 F01 F04 F05	2004 款大轮眉用
5	5306153-F00-0803	油箱门拉线扣手 OIL TANK CAP WIRE HANDLE (BLACK)	1		黑色
6	5401019-F00	塑扣 L-7 CLIPL-7	2	F00 F01 F02 F03 F04 F05	
7	5401021-F00	油箱加油口挡板 FUEL FILLER BAFFLE, FUEL TANK	1		



后侧围（四）——后侧围装饰板
REAR BODY SIDE(4)-REAR BODY SIDE TRIM PLATE



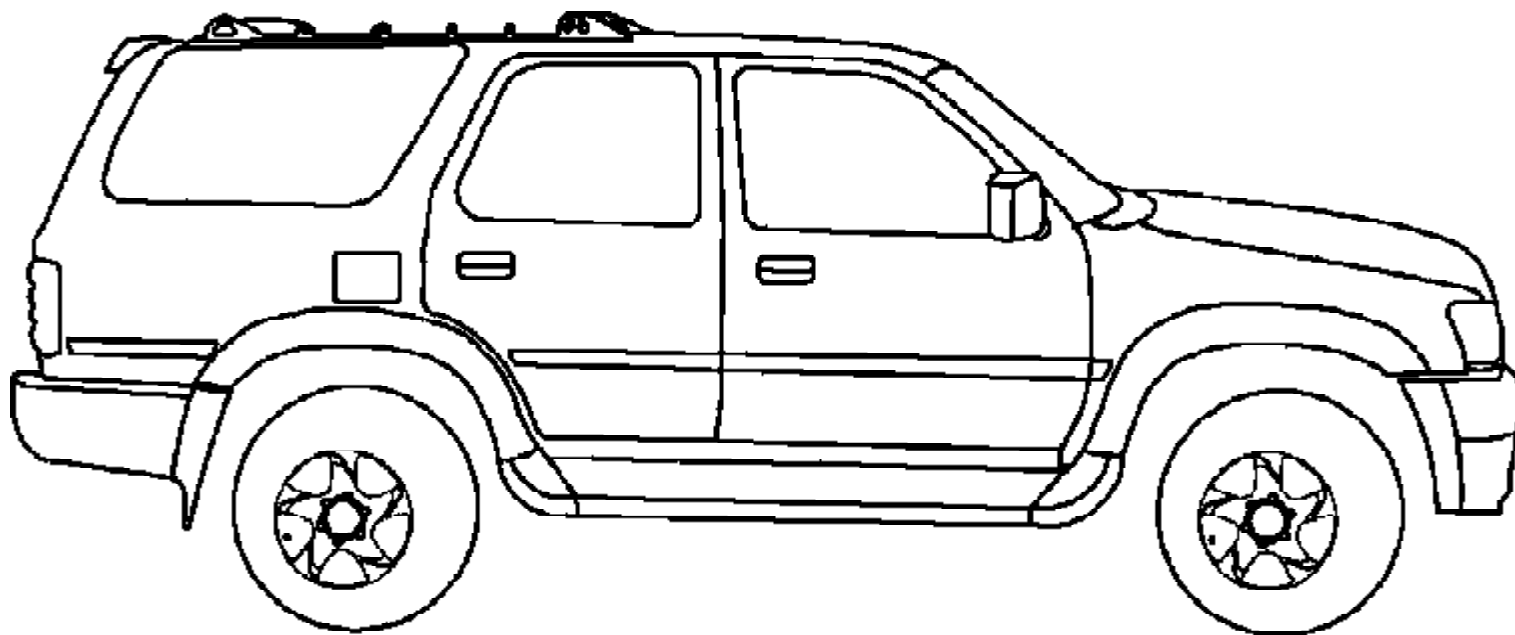
222

后侧围（四）—— 左后侧围装饰板
REAR BODY SIDE(4)- LEFT REAR BODY SIDE TRIM PLATE

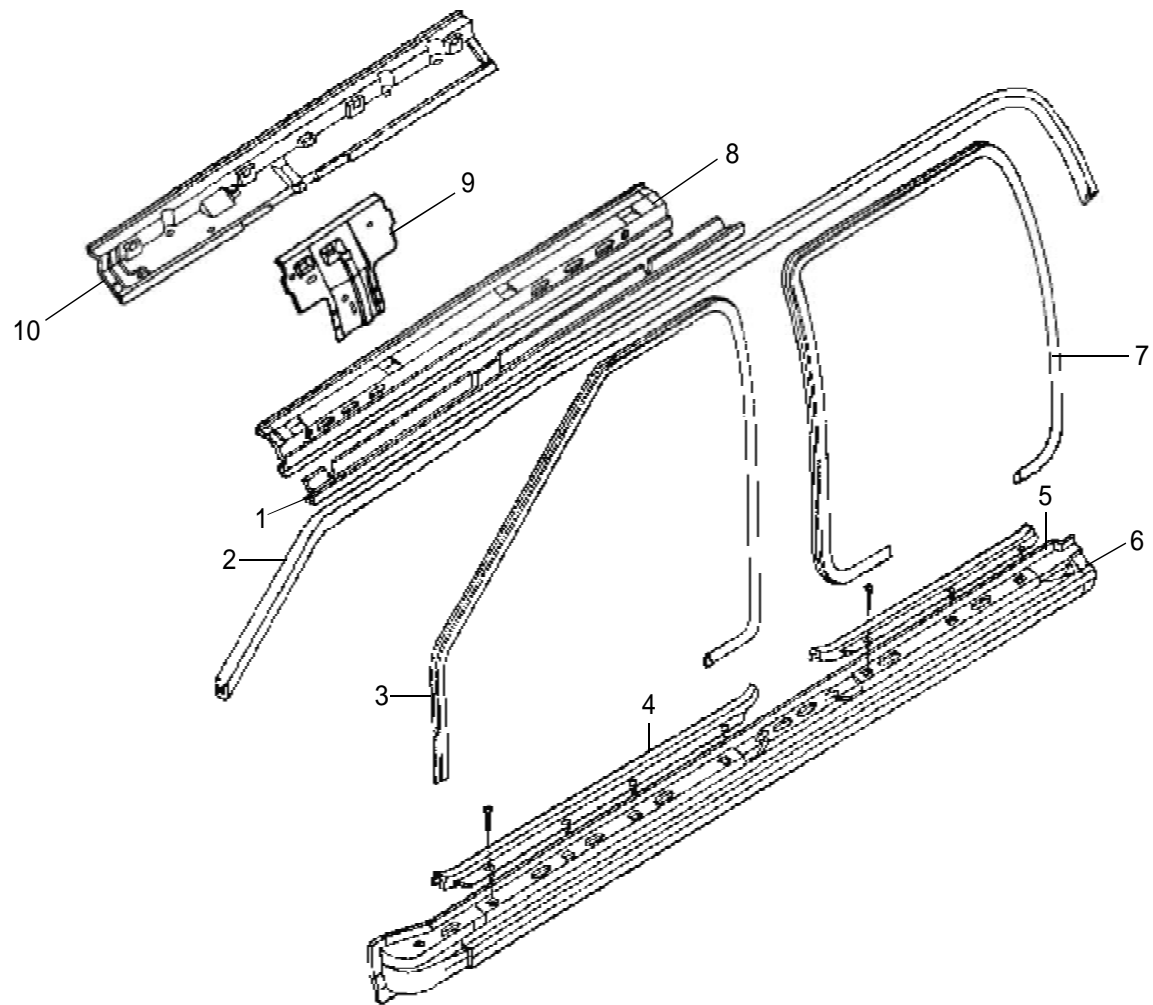
序号 S/N	零部件代号 PART CODE	零部件名称 PART NAME	用量 QTY	适用车型 VEHICLE APPLICABLE TO	备注 REMARK
1	5402041-F00-0315	左后侧围内饰板 TRIM PANEL,REAR BODY SIDE,LH (PALE BROWN)	1	F00 F01 F04 F05	棕黄色
	5402041-F00-0314	左后侧围内饰板 TRIM PANEL,REAR BODY SIDE,LH (LIGHT COFFEE)		F00 F01	浅咖啡色
2	5402022-F00	铁卡扣二 IRON CLIP2	9	F00 F01 F02 F03 F04 F05	
3	5402044-F00-0409	塑扣 S-22 CLIP S-22	11		
4	5811071-F00-0315	左后排安全带盖 LEFT REAR ROW SEAT BELT LID (PALE BROWN)	1	F00 F01 F04 F05	棕黄色
	5811071-F00-0314	左后排安全带盖 LEFT REAR ROW SEAT BELT LID (LIGHT COFFEE)		F00 F01	浅咖啡色
5	5402031-F00-0315	左后立柱下内饰板 LOWER TRIM PANEL,C PILLAR,LH (PALE BROWN)	1	F00 F01 F04 F05	棕黄色
	5402031-F00-0314	左后立柱下内饰板 LOWER TRIM PANEL,C PILLAR,LH (LIGHT COFFEE)		F00 F01	浅咖啡色
6	5518011-F00-0315	遮物帘 COVER CURTAIN (PALE BROWN)	1	F00 F01 F04 F05	棕黄色
7	5402054-F00-0315	侧围杂物盒盖开关 GLOVE BOX SWITCH (MODEL 2004,PALE BROWN)	1		2004 款棕黄色
	5402054-F00-0314	侧围杂物盒盖开关 GLOVE BOX SWITCH (MODEL 2003, LIGHT COFFEE)		F00 F01	2003 款浅咖啡色
8	5402053-F00-0315	侧围杂物盒盖 GLOVE BOX LID (MODEL 2004, PALE BROWN)	1	F00 F01 F04 F05	2004 款棕黄色
	5402053-F00-B1-0315	侧围杂物盒盖 GLOVE BOX LID (MODEL 2004,PALE BROWN, FOR BASS)			
	5402053-F00-0314	侧围杂物盒盖 GLOVE BOX LID (MODEL 2003, LIGHT COFFEE)		F00 F01	2003 款浅咖啡色
9	5402051-F00-0315	左后侧围杂物盒 GLOVE BOX, REAR BODY SIDE, LH (MODEL 2004,PALE BROWN)	1	F00 F01 F04 F05	2004 款棕黄色
	5402051-F00-0314	左后侧围杂物盒 GLOVE BOX, REAR BODY SIDE, LH (MODEL 2003, LIGHT COFFEE)		F00 F01	2003 款浅咖啡色

后侧围（四）—— 右后侧围装饰板
REAR BODY SIDE(4)- RIGHT REAR BODY SIDE TRIM PLATE

序号 S/N	零部件代号 PART CODE	零部件名称 PART NAME	用量 QTY	适用车型 VEHICLE APPLICABLE TO	备注 REMARK
1	5402042-F00-0315	右后侧围内饰板 TRIM PANEL,REAR BODY SIDE,RH (PALE BROWN)	1	F00 F01 F04 F05	棕黄色
	5402042-F00-0314	右后侧围内饰板 TRIM PANEL,REAR BODY SIDE,RH (LIGHT COFFEE)		F00 F01	浅咖啡色
2	5402022-F00	铁卡扣二 IRON CLIP2	9	F00 F01 F02 F03 F04 F05	
3	5402044-F00-0409	塑扣 S-22 CLIP S-22	11		
4	5811072-F00-0315	右后排安全带盖 RIGHT REAR ROW SEAT BELT LID (PALE BROWN)	1	F00 F01 F04 F05	棕黄色
	5811072-F00-0314	右后排安全带盖 RIGHT REAR ROW SEAT BELT LID (LIGHT COFFEE)		F00 F01	浅咖啡色
5	5402032-F00-0315	右后立柱下内饰板 LOWER TRIM PANEL,C PILLAR,RH (PALE BROWN)	1	F00 F01 F04 F05	棕黄色
	5402032-F00-0314	右后立柱下内饰板 LOWER TRIM PANEL,C PILLAR,RH (LIGHT COFFEE)		F00 F01	浅咖啡色
6	5518011-F00-0315	遮物帘 COVER CURTAIN (PALE BROWN)	1	F00 F01 F04 F05	棕黄色
7	5402054-F00-0314	侧围杂物盒盖开关 GLOVE BOX SWITCH (MODEL 2003, LIGHT COFFEE)	1	F00 F01	2003 款浅咖啡色
	5402054-F00-0315	侧围杂物盒盖开关 GLOVE BOX SWITCH (MODEL 2004, PALE BROWN)		F00 F01 F04 F05	2004 款棕黄色
8	5402053-F00-0315	侧围杂物盒盖 GLOVE BOX LID (MODEL 2004,PALE BROWN)	1	F00 F01 F04 F05	2004 款棕黄色
	5402053-F00-B1-0315	侧围杂物盒盖 GLOVE BOX LID (MODEL 2004, PALE BROWN,FOR BASS)			2004 款低音炮用棕黄色
	5402053-F00-0314	侧围杂物盒盖 GLOVE BOX LID (MODEL 2003, LIGHT COFFEE)		F00 F01	2003 款浅咖啡色
9	5402052-F00-0315	右后侧围杂物盒 GLOVE BOX, REAR BODY SIDE, RH (MODEL 2004, PALE BROWN)	1	F00 F01 F04 F05	2004 款棕黄色
	5402052-F00-0314	右后侧围杂物盒 GLOVE BOX, REAR BODY SIDE, RH (MODEL 2003, LIGHT COFFEE)		F00 F01	2003 款浅咖啡色



左侧围上下梁 LEFT BODY SIDE UPPER AND LOWER RAIL

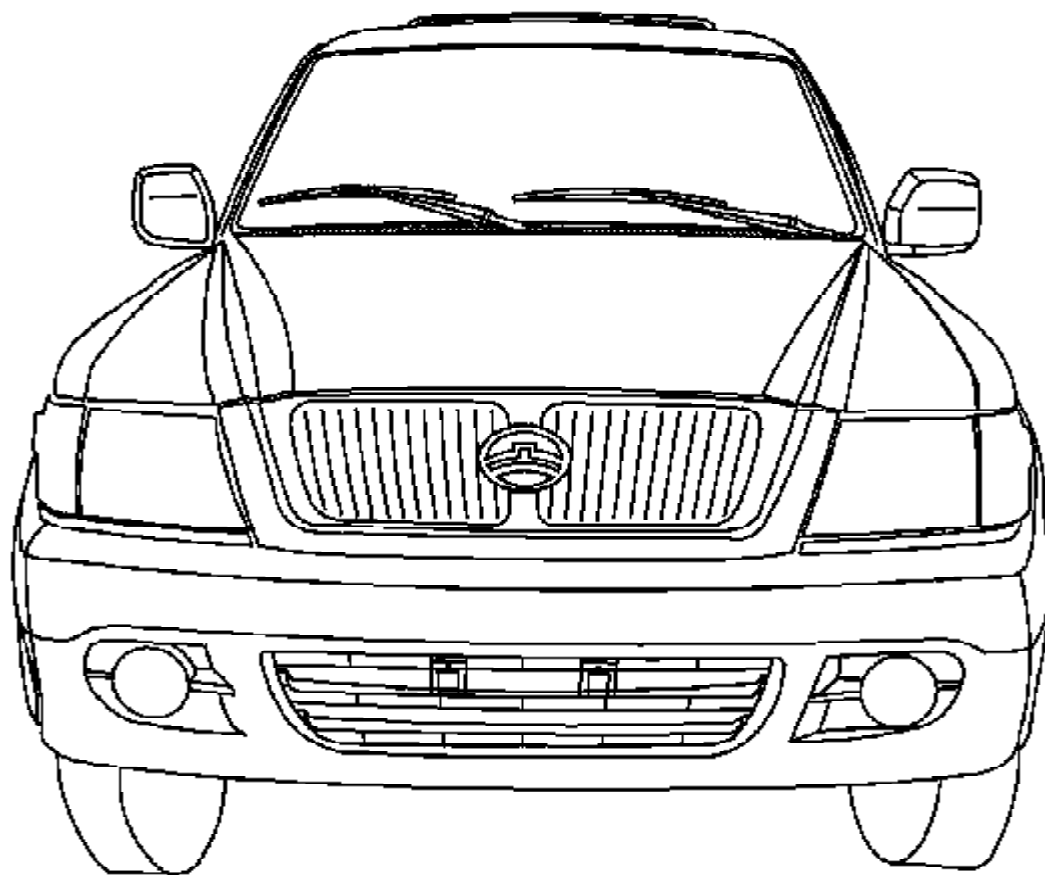


左侧围上下梁 LEFT BODY SIDE UPPER AND LOWER RAIL

序号 S/N	零部件代号 PART CODE	零部件名称 PART NAME	用量 QTY	适用车型 VEHICLE APPLICABLE TO	备注 REMARK
1	5401111-F00	左侧顶流水槽 FRONT ROOF RAIL,LH	1	F00 F01 F02 F03 F04 F05	
2	6107401-F00	左水道槽胶条 RUBBER STRIP,ROOF RAIL,LH	1		
3	6107101-F00-0315	左前侧面车门 U 形卡条 FRONT DOOR U-CLIP,LH (PALE BROWN)	1	F00 F01 F04 F05	棕黄色
	6107101-F00-0314	左前侧面车门 U 形卡条 FRONT DOOR U-CLIP,LH (LIGHT COFFEE)		F00 F01	浅咖啡色
4	5124011-F00-0315	左前门槛压条 CLAMPING BAR, FRONT ROCKER, LH (PALE BROWN)	1	F00 F01 F04 F05	棕黄色
	5124011-F00-0314	左前门槛压条 CLAMPING BAR, FRONT ROCKER, LH (LIGHT COFFEE)		F00 F01	浅咖啡色
5	5136011-F00-0315	左后门槛压条 CLAMPING BAR, REAR ROCKER, LH (PALE BROWN)	1	F00 F01 F04 F05	棕黄色
	5136011-F00-0314	左后门槛压条 CLAMPING BAR, REAR ROCKER, LH (LIGHT COFFEE)		F00 F01	浅咖啡色
6	5401150-F00	左下边梁总成 LOWER SIDE SILL ASSEMBLY,LH	1	F00 F01 F02 F03 F04 F05	
7	6207400-F00-0315	后侧面车门 U 型卡条 REAR DOOR U-CLIP (PALE BROWN)	1	F00 F01 F04 F05	棕黄色
8	5401113-F00	左上边梁外板 OUTER PANEL,ROOF SIDE SILL,RH	1	F00 F01 F02 F03 F04 F05	
9	5401033-F00	左中立柱上部内板 UPPER INNER PANEL,B PILLAR,LH	1		
10	5401035-F00	左上边梁内板 INNER PANEL,ROOF SIDE SILL,RH	1		

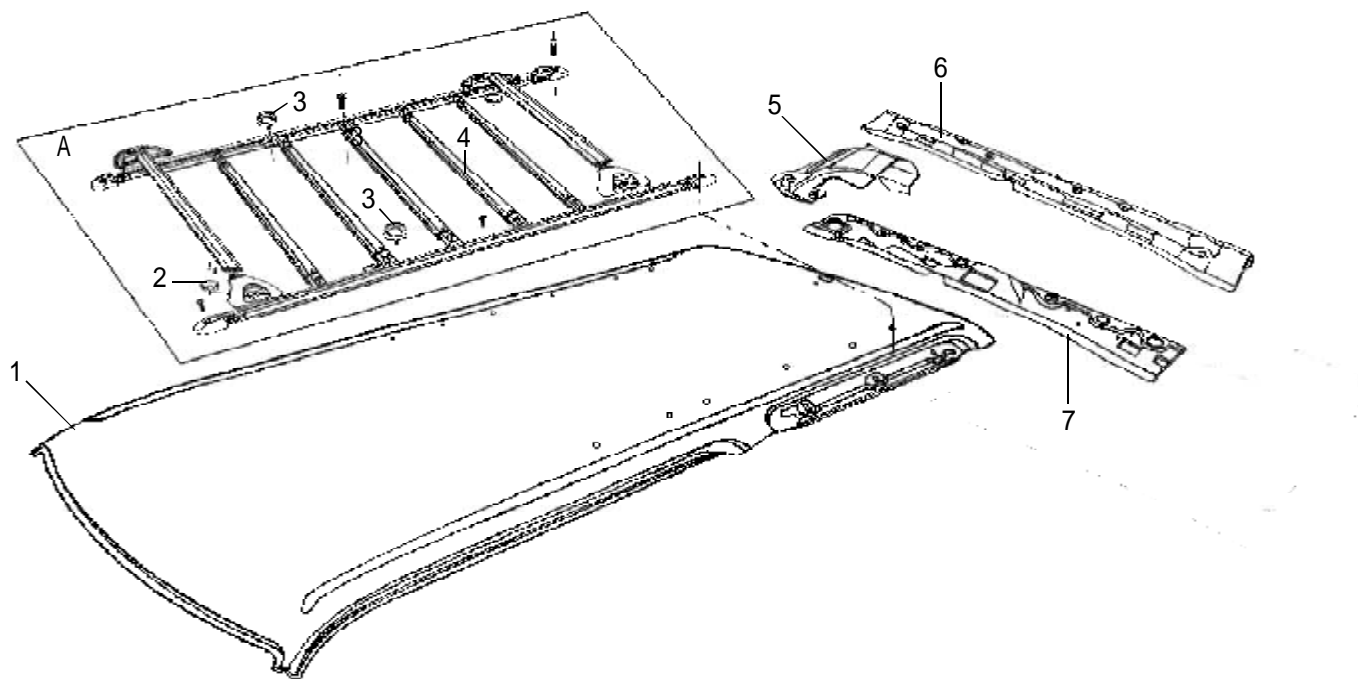
右侧围上下梁 RIGHT BODY SIDE UPPER AND LOWER RAIL

序号 S/N	零部件代号 PART CODE	零部件名称 PART NAME	用量 QTY	适用车型 VEHICLE APPLICABLE TO	备注 REMARK
1	5401112-F00	右顶流水槽 ROOF RAIL,RH	1	F00 F01 F02 F03 F04 F05	
2	6107402-F00	右水道槽胶条 RUBBER STRIP,ROOF RAIL,RH	1		
3	6107102-F00-0314	右前侧面车门 U 形卡条 FRONT DOOR U-CLIP,RH (PALE BROWN)	1		棕黄色
	6107102-F00-0315	右前侧面车门 U 形卡条 FRONT DOOR U-CLIP,RH (LIGHT COFFEE)		F00 F01 F02 F03	浅咖啡色
4	5124012-F00-0315	右前门槛压条 CLAMPING BAR, FRONT ROCKER, RH (PALE BROWN)	1	F00 F01 F04 F05	棕黄色
	5124012-F00-0314	右前门槛压条 CLAMPING BAR, FRONT ROCKER, RH (LIGHT COFFEE)		F00 F01	浅咖啡色
5	5136012-F00-0314	右后门槛压条 CLAMPING BAR, REAR ROCKER, RH (LIGHT COFFEE)	1		浅咖啡色
	5136012-F00-0315	右后门槛压条 CLAMPING BAR, REAR ROCKER, RH (PALE BROWN)		F00 F01 F04 F05	棕黄色
6	5401160-F00	右下边梁总成 LOWER SIDE SILL ASSEMBLY,RH	1	F00 F01 F02 F03 F04 F05	
7	6207400-F00-0315	后侧面车门 U 型卡条 REAR DOOR U-CLIP(PALE BROWN)	1	F00 F01 F04 F05	棕黄色
8	5401114-F00	右上边梁外板 OUTER PANEL,ROOF SIDE SILL,RH	1	F00 F01 F02 F03 F04 F05	
9	5401036-F00	右中立柱上部内板 UPPER INNER PANEL,B PILLAR,RH	1		
10	5401045-F00	右上边梁内板 INNER PANEL,ROOF SIDE SILL,RH	1		



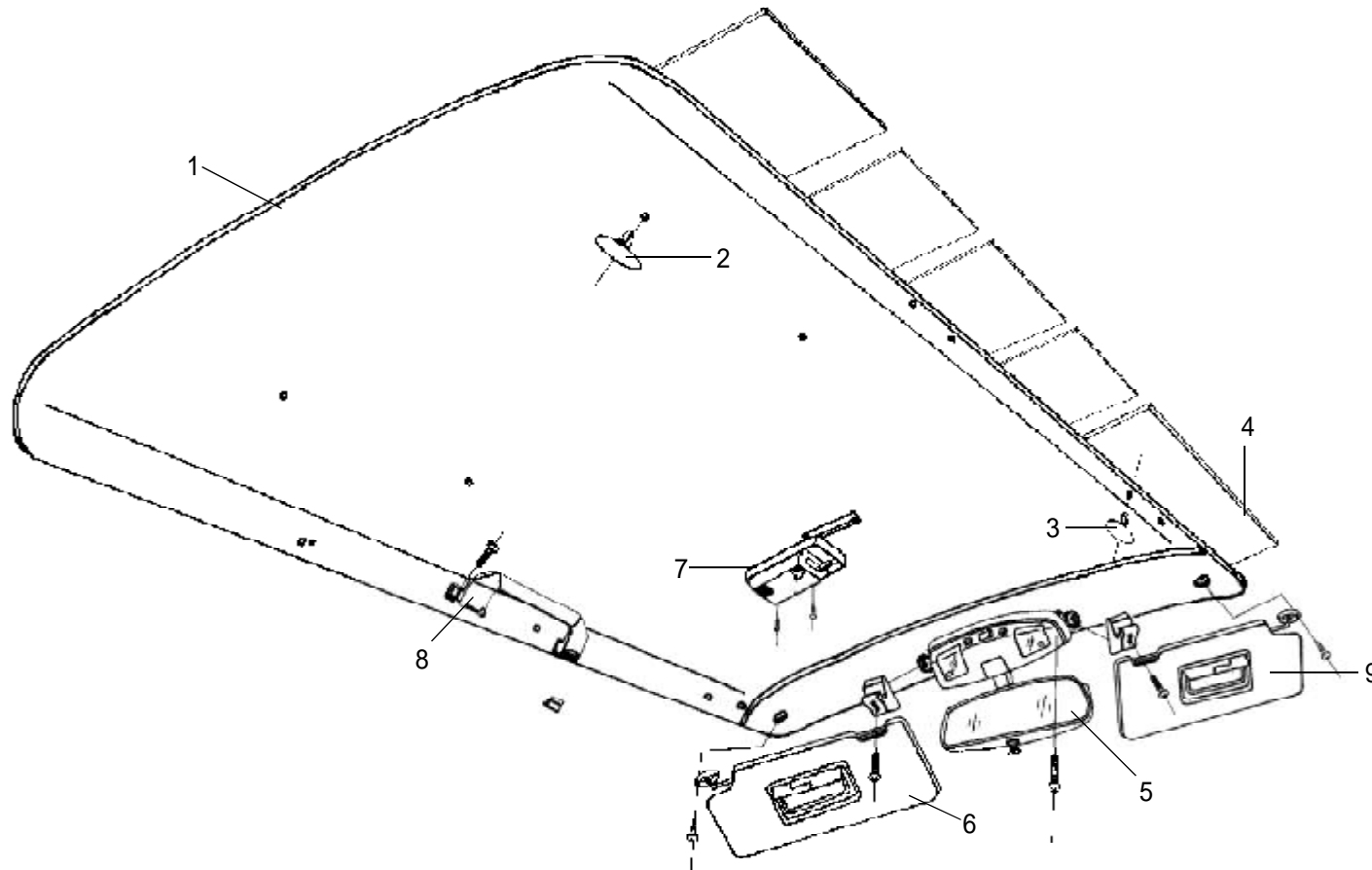
顶盖及行李架总成 ROOF PANEL AND ROOF RACK ASSEMBLY

232



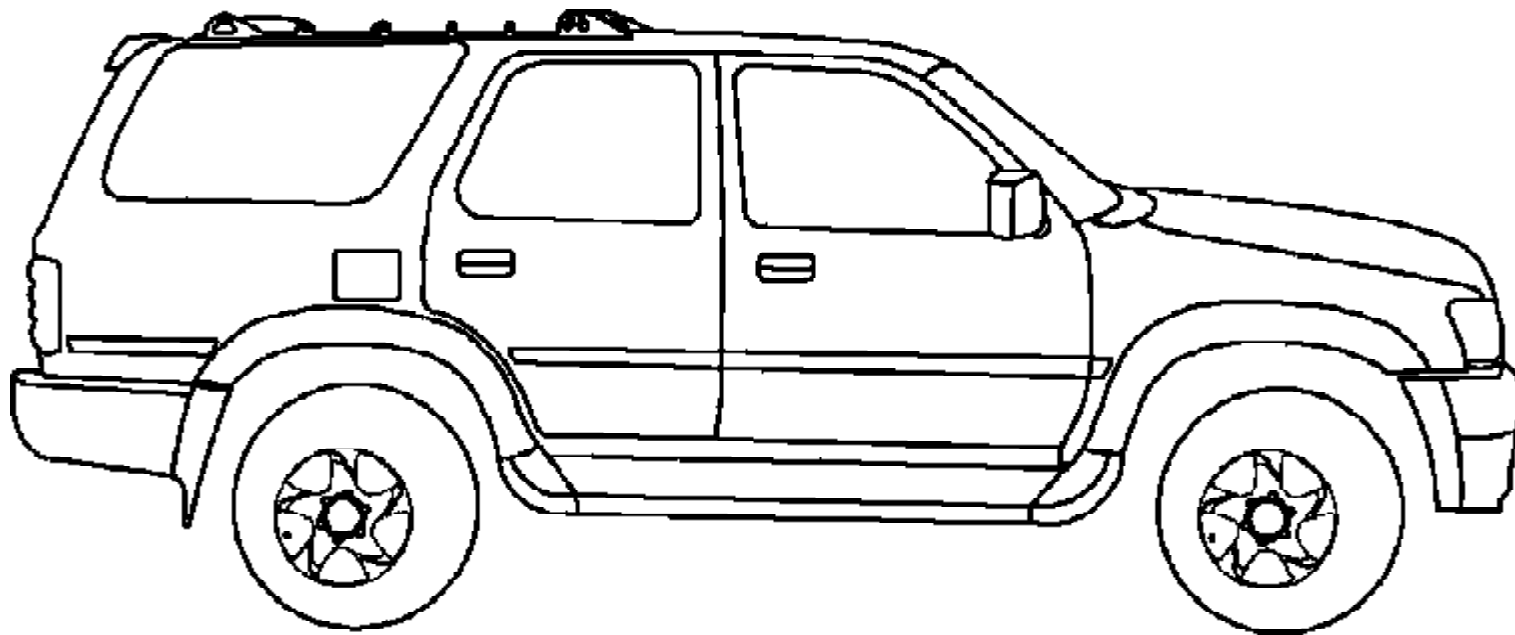
顶篷及附件 ROOF LINER AND ACCESSORIES

234



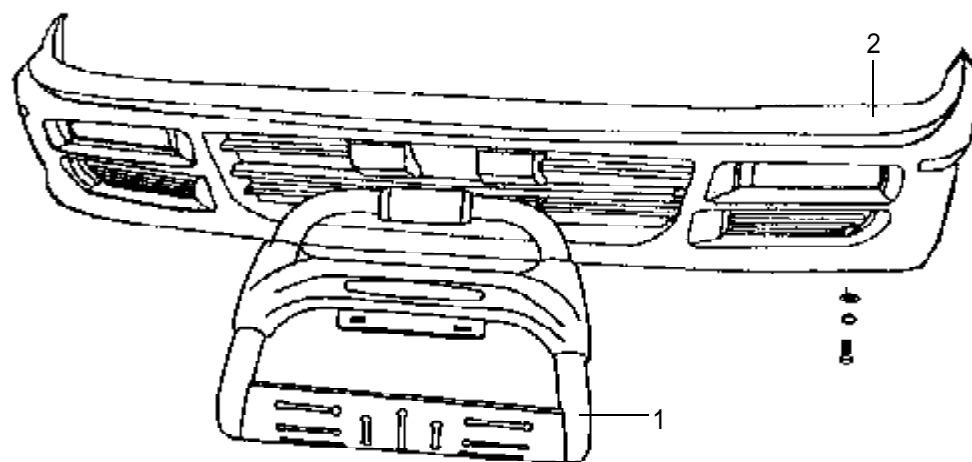
顶蓬及配件 ROOF LINER AND ACCESSORIES

序号 S/N	零部件代号 PART CODE	零部件名称 PART NAME	用量 QTY	适用车型 VEHICLE APPLICABLE TO	备注 REMARK
1	5702011-F00-0315	顶蓬 ROOF LINER (PALE BROWN)	1	F00 F01 F04 F05	棕黄色
	5702011-F00-B1-0315	顶蓬 ROOF LINER (PALE BROWN,ROOF WINDOW)			棕黄色 天窗型
	5702011-F00-0314	顶蓬 ROOF LINER (LIGHT COFFEE)		F00 F01	浅咖啡色
2	5702012-F00-0315	顶蓬大涨扣 BIG MOUNTING CLIP,ROOF LINER (PLASTIC, L-6, PALE BROWN)	4	F00 F01 F04 F05	塑扣 L-6 棕黄色
	5702012-F00-0314	顶蓬大涨扣 BIG MOUNTING CLIP,ROOF LINER (PLASTIC, L-6, LIGHT COFFEE)		F00 F01	塑扣 L-6 浅咖啡色
3	5702013-F00-0315	顶蓬小涨扣 SMALL MOUNTING CLIP,ROOF LINER (PLASTIC, S-17, PALE BROWN)		F00 F01 F04 F05	塑扣 S-17 棕黄色
	5702013-F00-0314	顶蓬小涨扣 SMALL MOUNTING CLIP,ROOF LINER (PLASTIC, S-17, LIGHT COFFEE)		F00 F01	塑扣 S-17 浅咖啡色
4	5710010-F00	顶盖隔热层总成 HEAT INSULATOR ASSEMBLY,ROOF	1	F00 F01 F02 F03 F04 F05	
5	8201011-F00-0315	内后视镜 INTERIOR REAR VIEW MIRROR (PALE BROWN)	1	F00 F01 F04 F05	棕黄色
	8201011-F00-0314	内后视镜 INTERIOR REAR VIEW MIRROR (LIGHT COFFEE)		F00 F01	浅咖啡色
6	8204011-F00-0315	左遮阳板 SUN VISOR,LH (PALE BROWN)	1	F00 F01 F04 F05	棕黄色
	8204011-F00-0314	左遮阳板 SUN VISOR,LH (LIGHT COFFEE)		F00 F01	浅咖啡色
7	4123010-F00-0314	顶灯总成 FRONT CEILING LAMP (MODEL 2003, LIGHT COFFEE)	1	F00 F01 F02 F03	2003 款浅咖啡色
7	4123010-F00-0315	顶灯总成 FRONT CEILING LAMP (MODEL 2004, PALE BROWN)	1	F00 F01 F04 F05	2004 款棕黄色
8	8215010-F00-0315	顶盖扶手总成 ASSIT GRIP ASSEMBLY,ROOF (MODEL 2004, PALE BROWN ,WITHOUT MAHOGANY PATTERN)	3		2004 款棕黄色不带桃木纹
	8215010-F00-B1-0314	顶盖扶手总成 ASSIT GRIP ASSEMBLY,ROOF (MODEL 2003, LIGHT COFFEE)		F00 F01	2003 款浅咖啡色
	8215010-F00-C1-0314	顶盖扶手总成 ASSIT GRIP ASSEMBLY,ROOF (MODEL 2003, GLOSSY MAHOGANY PATTERN PURPLISH RED)		F00 F01 F02 F03	2003 款亚光桃木纹枣红色

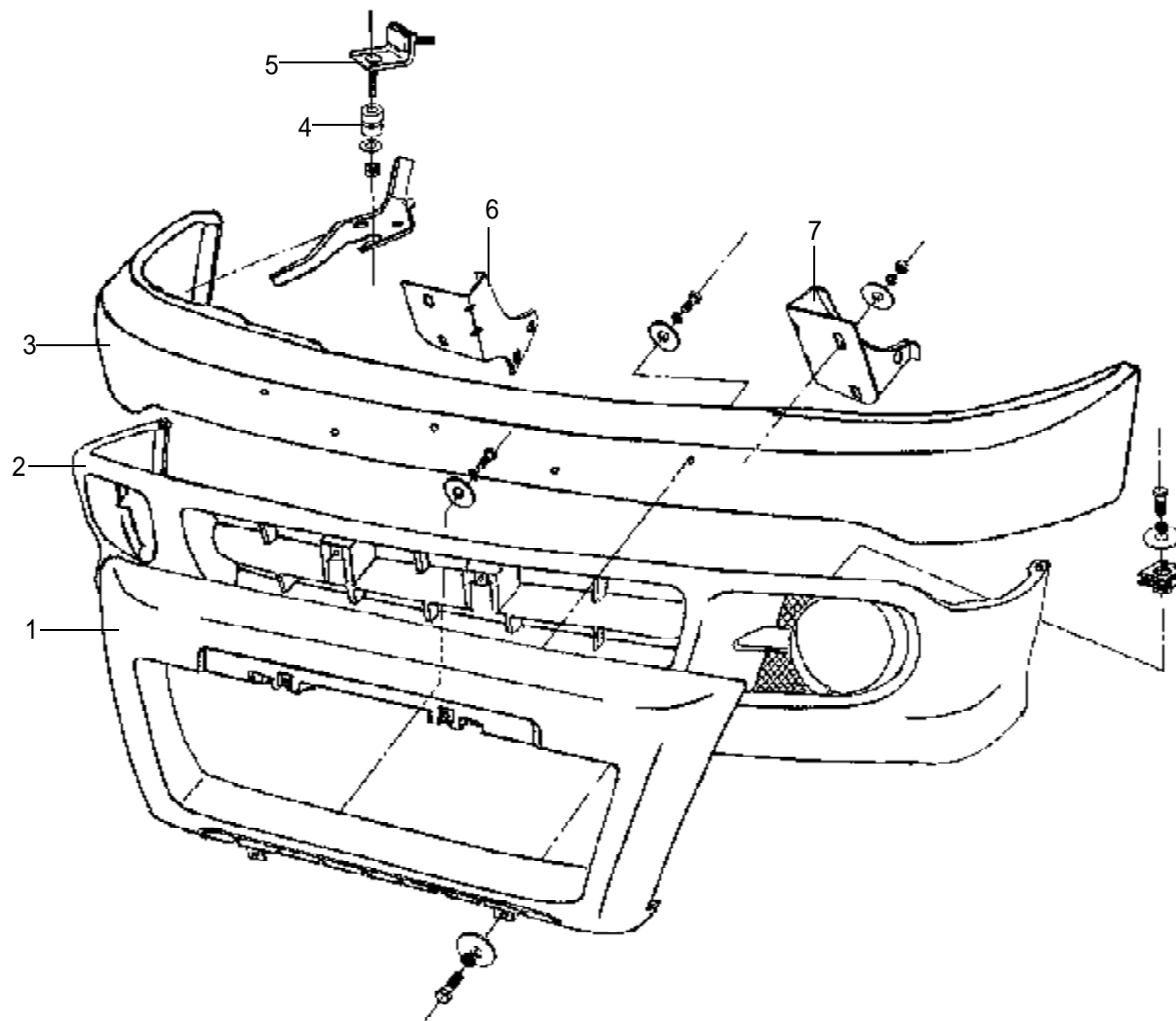


前保险杠（一） FRONT BUMPER (1)

238



前保险杠（二） FRONT BUMPER (2)



240

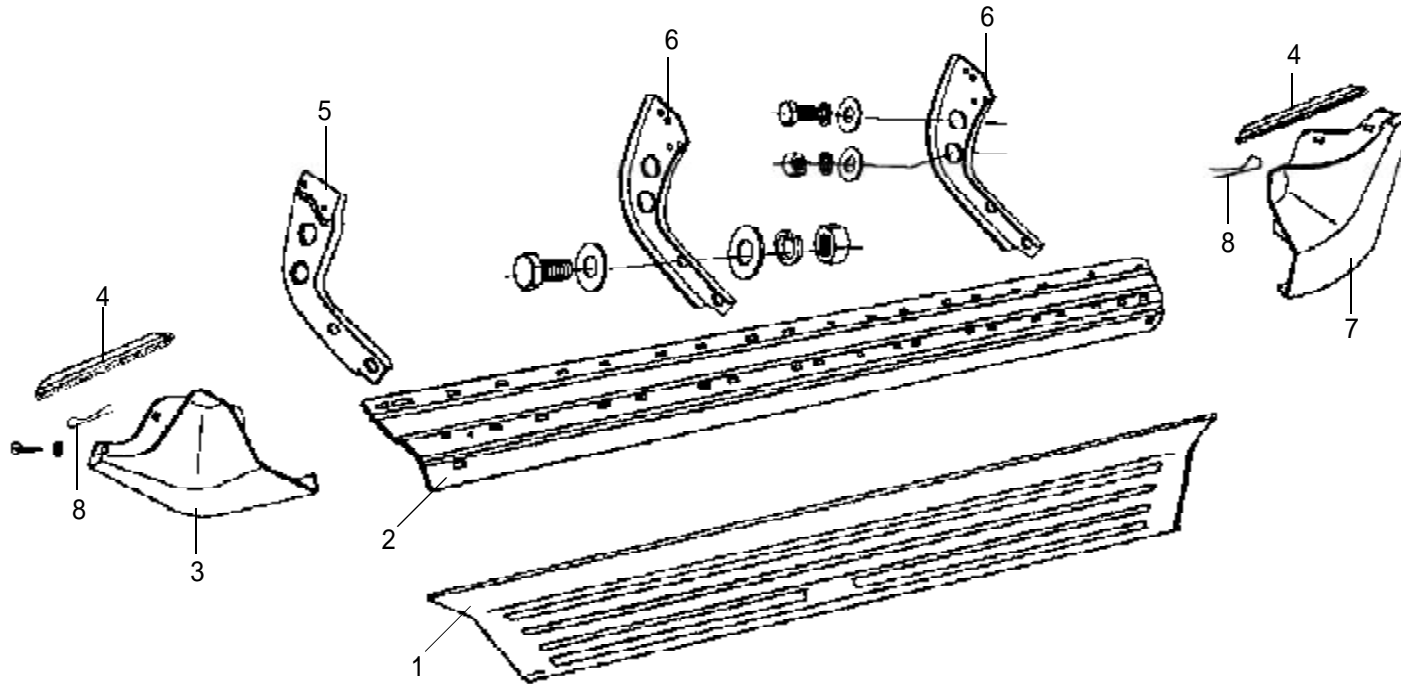
前保险杠（二） FRONT BUMPER (2)

序号 S/N	零部件代号 PART CODE	零部件名称 PART NAME	用量 QTY	适用车型 VEHICLE APPLICABLE TO	备注 REMARK
1	2803500-F00	前护杠总成 FRONT GUARD BUMPER ASSEMBLY (MODEL 2003)	1	F00 F01	2003 款
2	2803201-F00	前保险杠下体 FRONT BUMPER LOWER PART ASSEMBLY	1	F00 F01 F04 F05	
3	2803100-F00	前保险杠上体总成 FRONT BUMPER UPPER PART ASSEMBLY	1		
	2803100-F00-B1	前保险杠上体总成 FRONT BUMPER UPPER PART ASSEMBLY		F00 F01	可匹配前护杠
4	2803402-F00	前保险杠托架橡胶垫 RUBBER GASKET,FRONT BUMPER BRACKET	2	F00 F01 F04 F05	
5	2803401-F00	前保险杠托架 FRONT BUMPER SUPPORT	2		
6	2803302-F00	前保险杠右支架 RIGHT BRACKET, FRONT BUMPER	1	F00 F01	
	2803302-F00-B1	前保险杠右支架 RIGHT BRACKET, FRONT BUMPER		F00 F01 F04 F05	
7	2803301-F00	前保险杠左支架 LEFT BRACKET, FRONT BUMPER	1	F00 F01	
	2803301-F00-B1	前保险杠左支架 LEFT BRACKET, FRONT BUMPER		F00 F01 F04 F05	



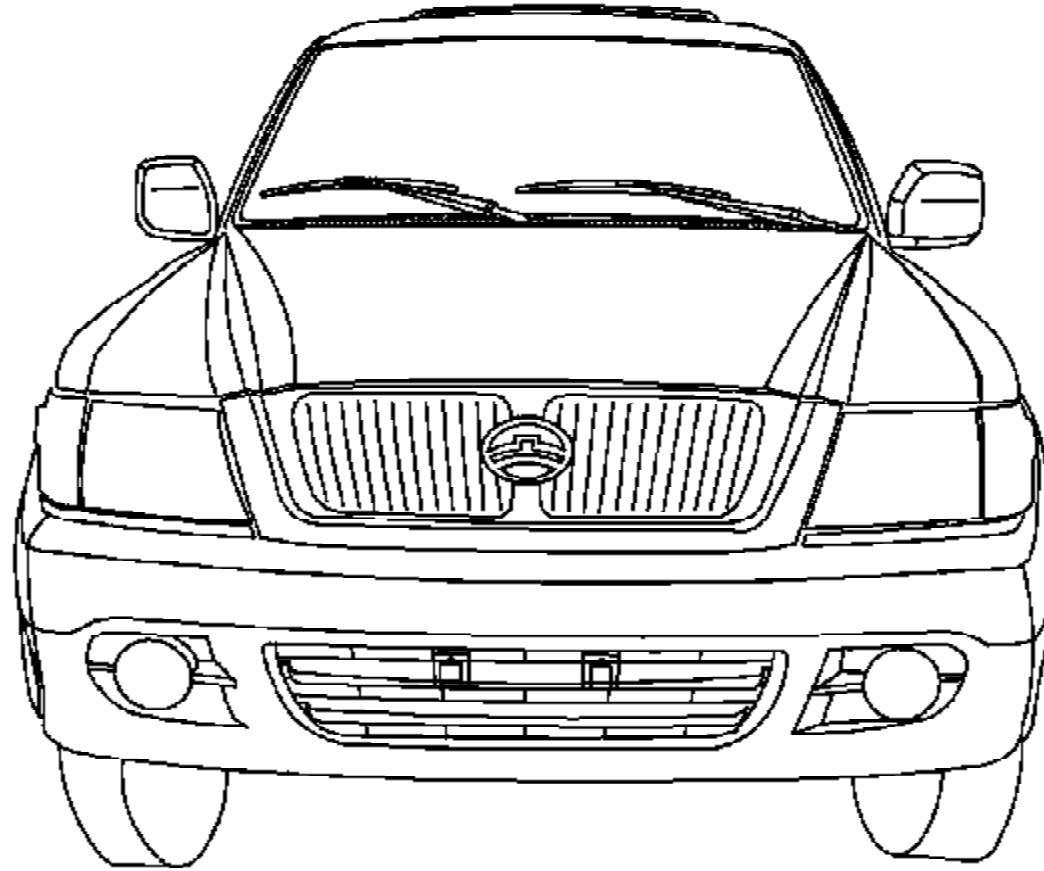
车门侧踏板 DOOR SIDE STEP

242

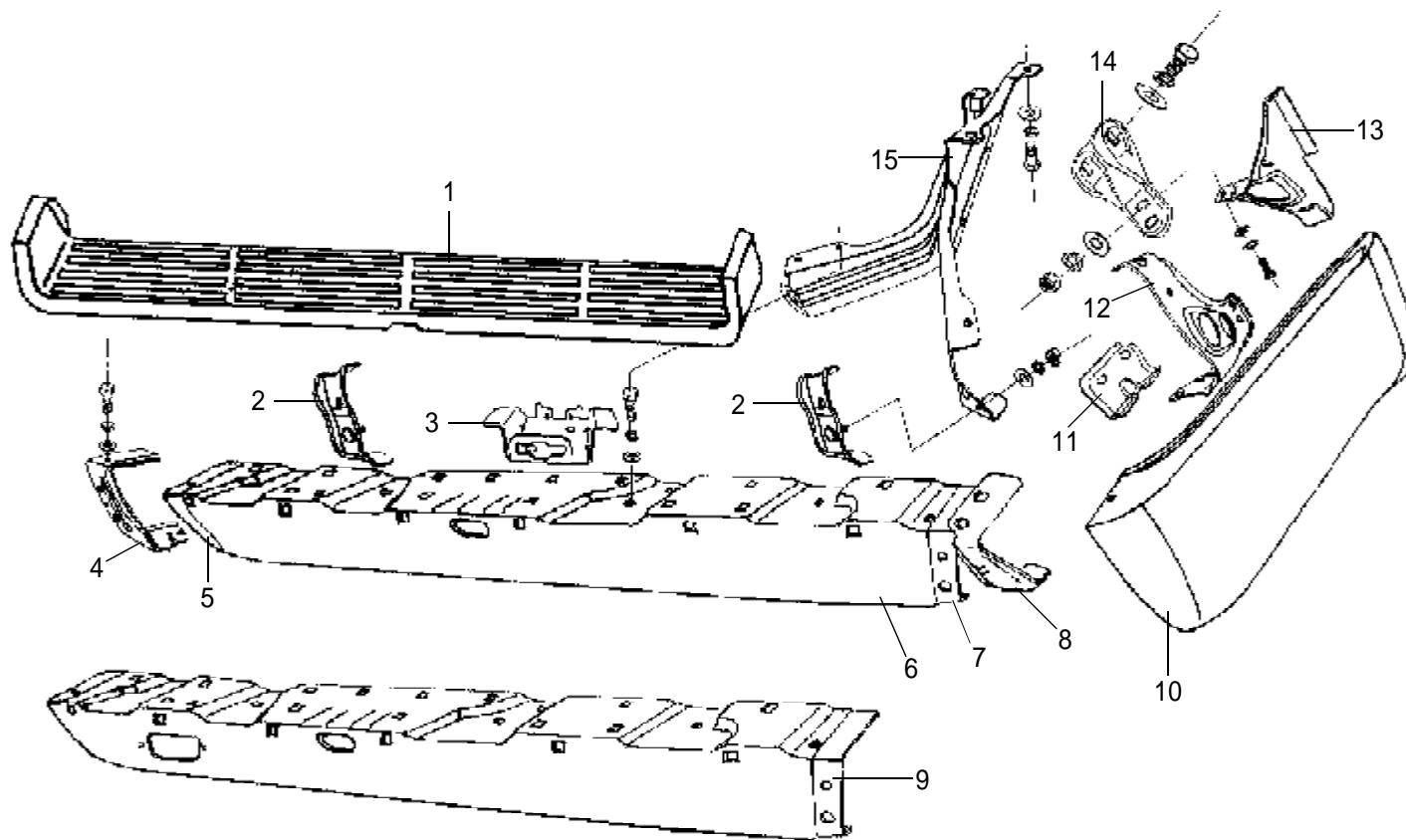


车门侧踏板 DOOR SIDE STEP

序号 S/N	零部件代号 PART CODE	零部件名称 PART NAME	用量 QTY	适用车型 VEHICLE APPLICABLE TO	备注 REMARK
1	8206112-F00	侧面车门侧踏板装饰板 TRIM PANEL,SIDE STEP	2	F00 F01 F02 F03	
2	8206111-F00	侧面车门侧踏板 DOOR SIDE STEP	2		
3	8206021-F00	左前侧面车门侧踏板包头 FRONT DOOR SIDE STEP END COVER, LH	1	F00 F01	
	8206021-F00-B1	左前侧面车门侧踏板包头 FRONT DOOR SIDE STEP END COVER, LH		F00 F01 F02 F03	
	8206022-F00	右前侧面车门侧踏板包头 FRONT DOOR SIDE STEP END COVER, RH	1	F00 F01	
	8206022-F00-B1	右前侧面车门侧踏板包头 FRONT DOOR SIDE STEP END COVER, RH		F00 F01 F02 F03	
4	8206025-F00	前侧面车门侧踏板包头胶条 END COVER RUBBER STRIP,FRONT DOOR SIDE STEP	1		
5	8206011-F00	左侧面车门侧踏板支架 C1 SIDE STEP BRACKET C1,LEFT DOOR	1		
	8206012-F00	右侧面车门侧踏板支架 C1 SIDE STEP BRACKET C1,RIGHT DOOR	1		
	8206031-F00	左侧面车门侧踏板左前支架 LEFT FRONT BRACKET, DOOR SIDE STEP,LH	1	F00 F01 F04 F05	
	8206032-F00	右侧面车门侧踏板右前支架 RIGHT FRONT BRACKET, DOOR SIDE STEP,RH	1		
6	8206013-F00	左侧面车门侧踏板支架 C2 SIDE STEP BRACKET C2,LEFT DOOR	2	F00 F01 F02 F03	
	8206014-F00	右侧面车门侧踏板支架 C2 SIDE STEP BRACKET C2,RIGHT DOOR	2		
	8206033-F00	左侧面车门侧踏板左中支架 LEFT MIDDLE BRACKET, DOOR SIDE STEP,LH	1	F00 F01 F04 F05	
	8206034-F00	右侧面车门侧踏板右中支架 RIGHT MIDDLE BRACKET,DOOR SIDE STEP,RH	1		
	8206035-F00	左侧面车门侧踏板左后支架 LEFT REAR BRACKET, DOOR SIDE STEP,LH	1		



后保险杠（一） REAR BUMPER (1)



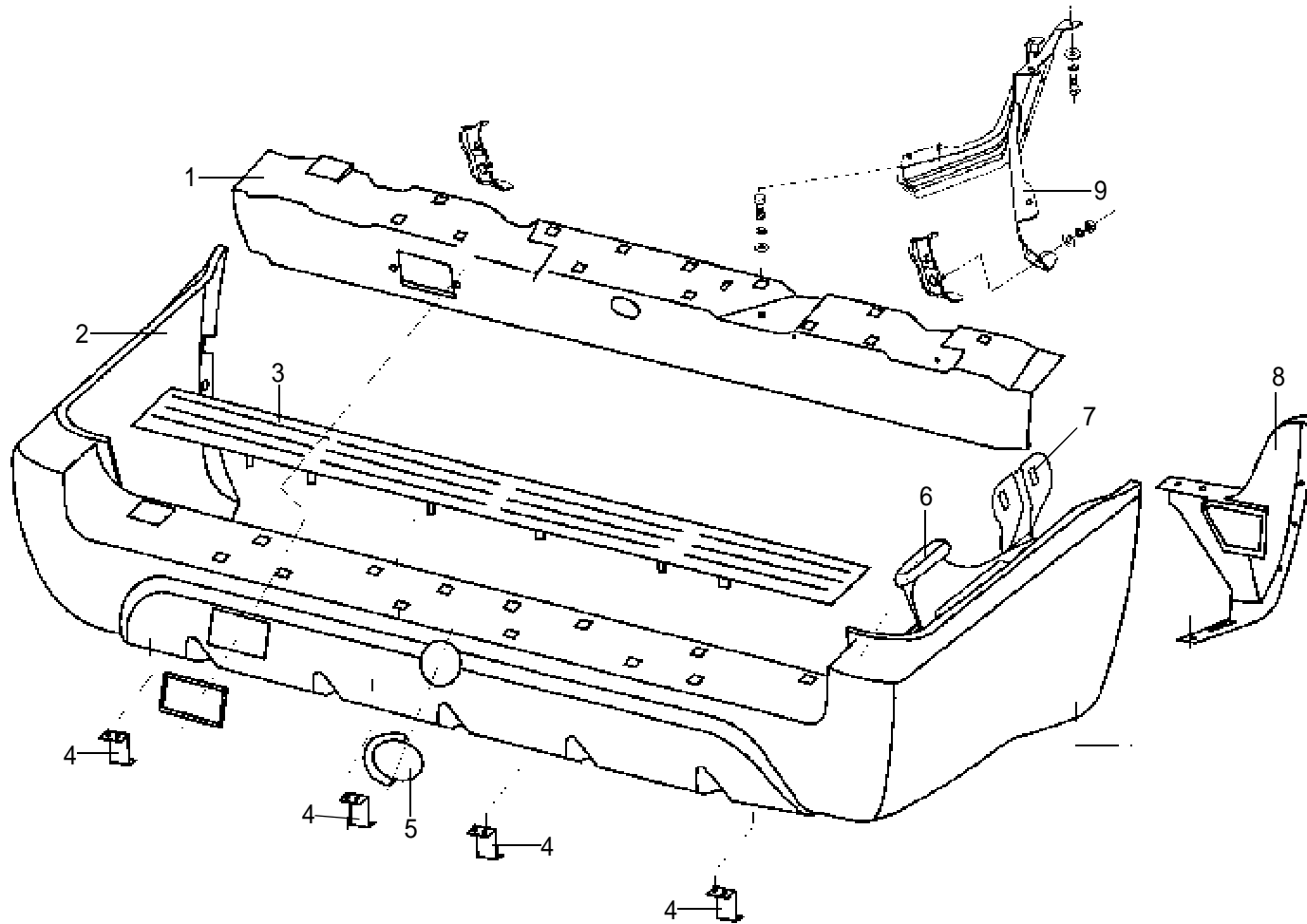
246

后保险杠（一） REAR BUMPER (1)

序号 S/N	零部件代号 PART CODE	零部件名称 PART NAME	用量 QTY	适用车型 VEHICLE APPLICABLE TO	备注 REMARK
1	2804601-F02	后保险杠踏板 REAR BUMPER STEP	1	F00 F01 F02 F03	
2	2804217-F02	后保险杠配件 C3 REAR BUMPER PART C3	2		
3	2804218-F02	后保险杠配件 C2 REAR BUMPER PART C2	1		
4	2804215-F02	后保险杠左拐角垫片 REAR BUMPER REINFORCEMENT GASKET, LH	1		
5	2804221-F02	后保险杠左配件 C1 REAR BUMPER LEFT PART C1	1		
6	2804400-F02	后保险杠主体总成 REAR BUMPER ASSEMBLY (WITHOUT FOG LAMP MOUNTING HOLE)	1	F02 F03	无雾灯安装孔
7	2804222-F02	后保险杠右配件 C1 REAR BUMPER RIGHT PART C1	1	F00 F01 F02 F03	
8	2804216-F02	后保险杠右拐角垫片 REAR BUMPER REINFORCEMENT GASKET, LH	1		
9	2804400-F00-B1	后保险杠主体总成 REAR BUMPER ASSEMBLY (WITH REAR FOG LAMP MOUNTING HOLE)	1	F00 F01	有后雾灯安装孔
10	2804203-F02	后保险杠左弯角 REAR BUMPER BEND, LH	1	F00 F01 F02 F03	
	2804204-F02	后保险杠右弯角 REAR BUMPER BEND, RH	1		
11	2804213-F02	后保险杠左弯角配件 C3 REAR BUMPER BEND PART C3, LH	1		
	2804214-F02	后保险杠右弯角配件 C3 REAR BUMPER BEND PART C3, RH	1		
12	2804207-F02	后保险杠左弯角配件 C1 REAR BUMPER BEND PART C1, LH	1		
	2804208-F02	后保险杠右弯角配件 C1 REAR BUMPER BEND PART C1, RH	1		
13	2804211-F02	后保险杠左弯角配件 C2 REAR BUMPER BEND PART C2, LH	1		
	2804212-F02	后保险杠右弯角配件 C2 REAR BUMPER BEND PART C2, RH	1		
14	2804802-F00	后保险杠右补强片 REAR BUMPER REINFORCEMENT GASKET, RH	1		
	2804801-F00	后保险杠左补强片 REAR BUMPER REINFORCEMENT GASKET, LH	1		
15	2804720-F00	后保险杠右支架总成 RIGHT BRACKET ASSEMBLY, REAR BUMPER	1		
	2804710-F00	后保险杠左支架总成 LEFT BRACKET ASSEMBLY, REAR BUMPER	1		

后保险杠（二） REAR BUMPER (2)

248



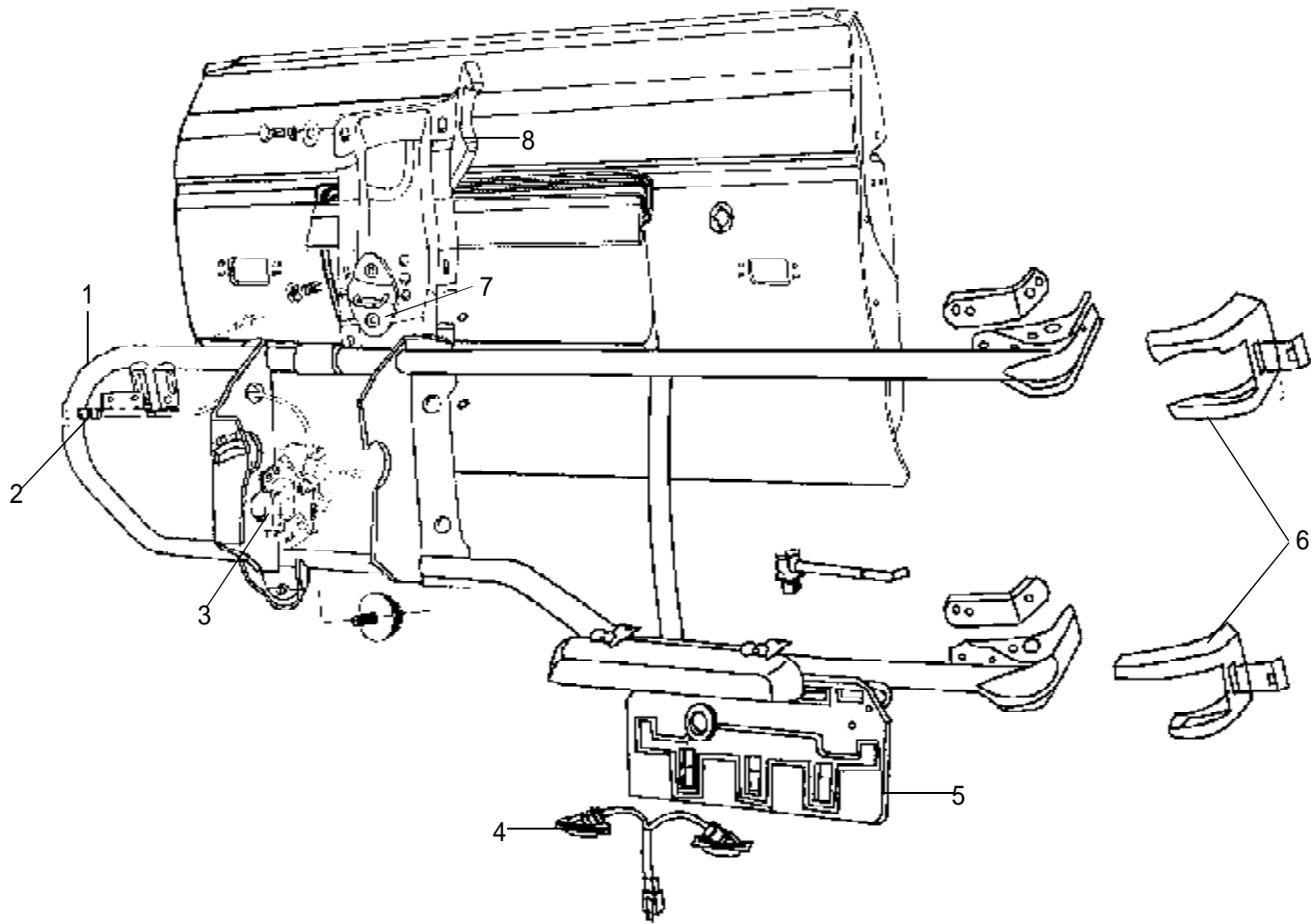
后保险杠（二） REAR BUMPER（2）

序号 S/N	零部件代号 PART CODE	零部件名称 PART NAME	用量 QTY	适用车型 VEHICLE APPLICABLE TO	备注 REMARK
1	2804400-F00	后保险杠主体总成 REAR BUMPER ASSEMBLY (MODEL 2004, WITH 12 MOUNTING HOLES)	1	F00 F01 F04 F05	2004 款有 12 个安装孔
2	2804101-F00	后保险杠 REAR BUMPER ASSEMBLY	1		
3	2804601-F00	后保险杠踏板 REAR BUMPER STEP	1		
4	2804501-F00	后保险杠内衬支架 INNER LINER BRACKET, REAR BUMPER	4		
5	2804102-F00	后保险杠堵盖 PLUG COVER, REAR BUMPER	1		
6	2804301-F00	后保险杠左弯角后支架 REAR BUMPER BEND REAR BRACKET, LH	1		
	2804302-F00	后保险杠右弯角后支架 REAR BUMPER BEND REAR BRACKET, RH	1		
7	2804802-F00	后保险杠右补强片 REAR BUMPER REINFORCEMENT GASKET, RH	1	F00 F01 F02 F03 F04 F05	
	2804801-F00	后保险杠左补强片 REAR BUMPER REINFORCEMENT GASKET, LH	1		
8	2804201-F00	后保险杠左弯角前支架 REAR BUMPER BEND FRONT BRACKET, LH	1	F00 F01 F04 F05	
	2804202-F00	后保险杠右弯角前支架 REAR BUMPER BEND FRONT BRACKET, RH	1		
9	2804720-F00	后保险杠右支架总成 RIGHT BRACKET ASSEMBLY, REAR BUMPER	1	F00 F01 F02 F03 F04 F05	
	2804710-F00	后保险杠左支架总成 LEFT BRACKET ASSEMBLY, REAR BUMPER	1		



后备胎架总成(一) SPARE TIRE BRACKET ASSEMBLY(1)

250

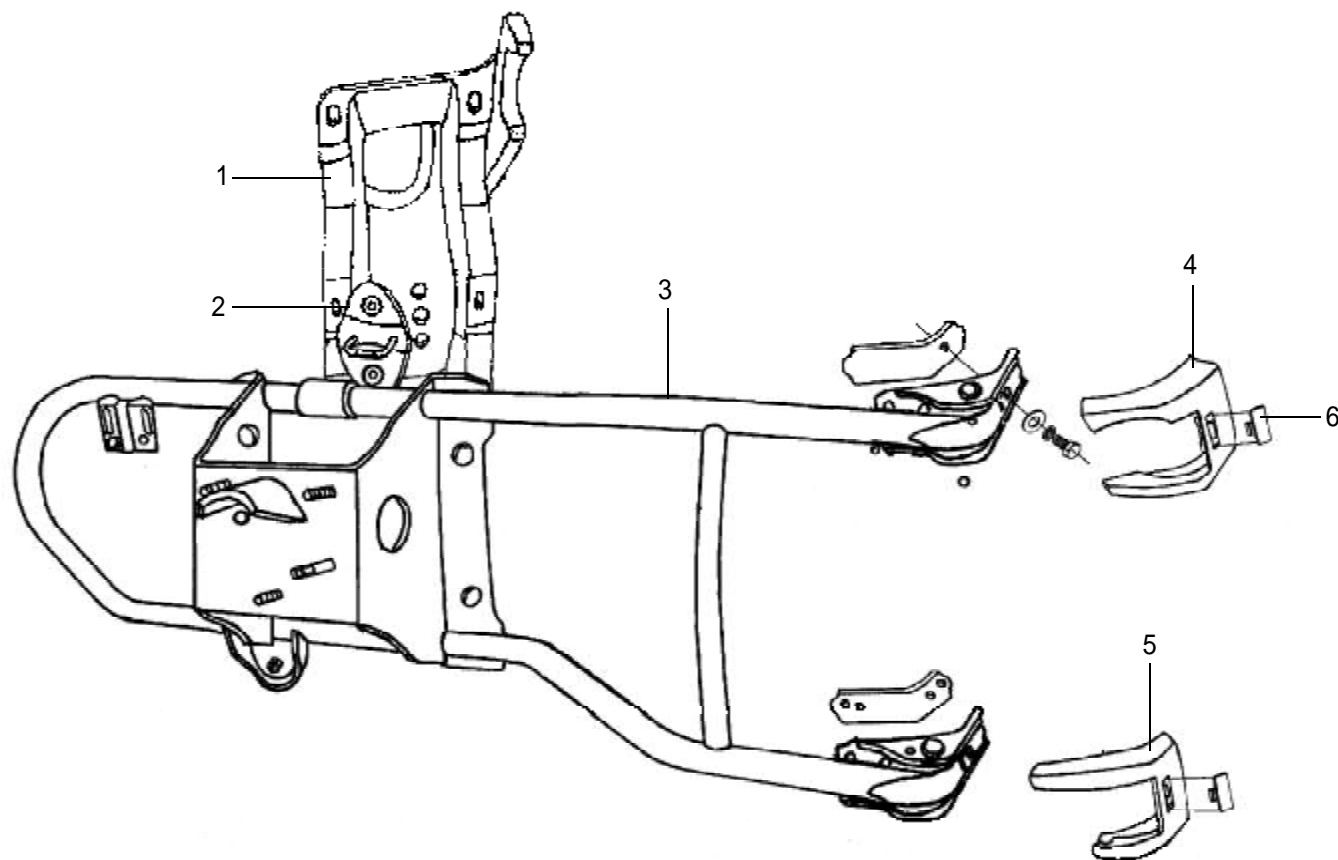


后备胎架总成(一) SPARE TIRE BRACKET ASSEMBLY(1)

序号 S/N	零部件代号 PART CODE	零部件名称 PART NAME	用量 QTY	适用车型 VEHICLE APPLICABLE TO	备注 REMARK
1	3105110-F02	备胎架总成 SPARE TIRE BRACKET ASSEMBLY	1	F00 F01 F02 F03	
	3105110-F01	备胎架总成 SPARE TIRE BRACKET ASSEMBLY		F00 F01	
	3105110-F01-B1	备胎架总成 SPARE TIRE BRACKET ASSEMBLY		F00 F01 F04 F05	
2	3105120-F01	备胎锁拉线总成 SPARE TIRE LOCK CABLE ASSEMBLY	1	F00 F01 F02	
3	3105110-F01	备胎架锁总成 SPARE TIRE BRACKET ASSEMBLY	1		
4	4108010-F02	牌照灯总成 NUMBER PLATE LAMP ASSEMBLY	1	F00 F01 F02 F03	
5	5506010-F02-C1	后牌照装饰板总成 TRIM PANEL,NUMBER PLATE (MOUNTED ON THE SPARE TIRE SHELF)	1		装在备胎支架上
6	3105130-F01	备胎架装饰罩总成 TRIM COVER ASSEMBLY	1		
7	3105102-F01	备胎架锁扣 LOCK BUCKLE,SPARE TIRE BRACKET	1		
8	3105101-F01	备胎架固定外板 OUTER PLATE, SPARE TIRE CARRIER	1		

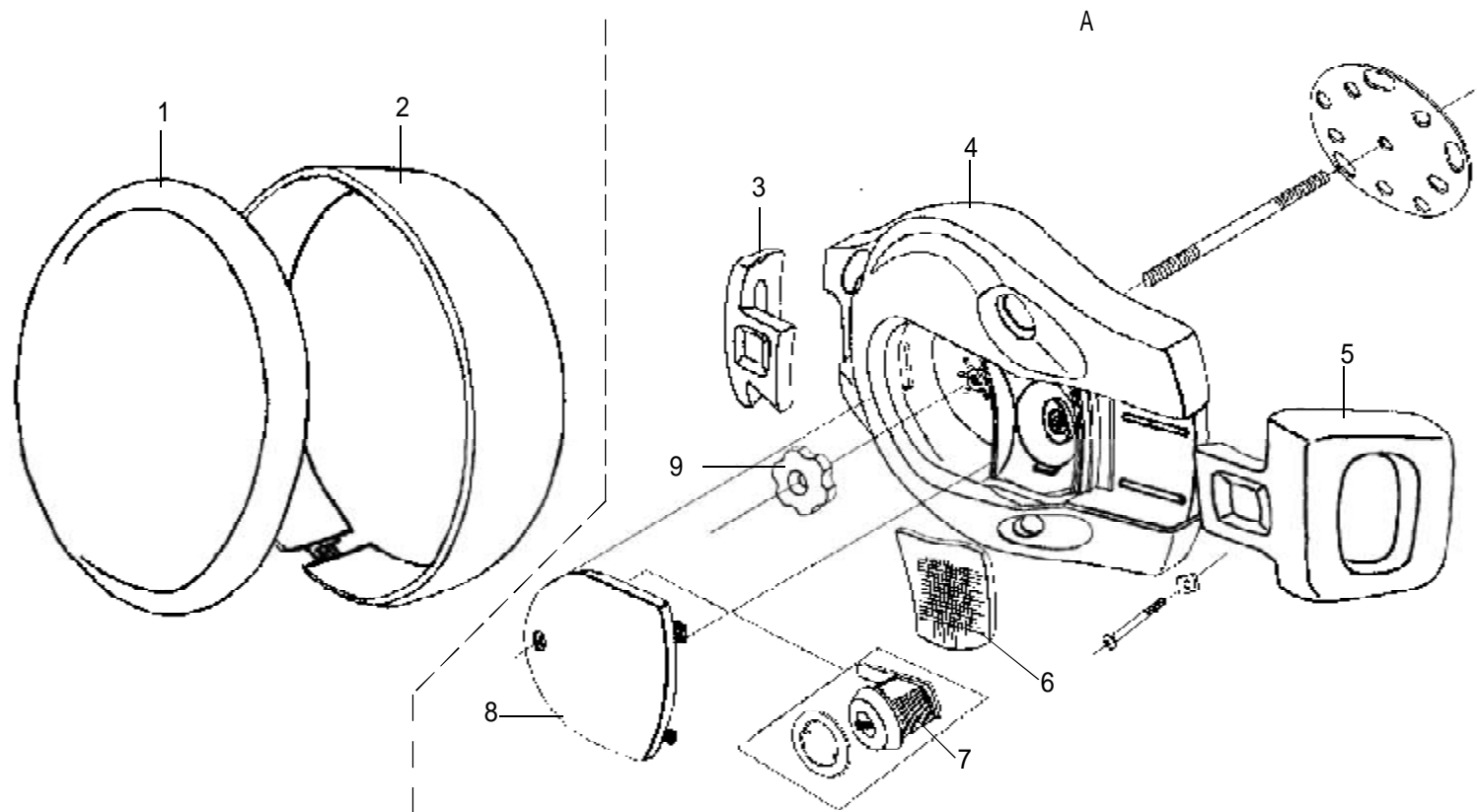
后备胎架总成(二) SPARE TIRE BRACKET ASSEMBLY(2)

252



后备胎罩组件 SPARE TIRE COVER ASSEMBLY

254

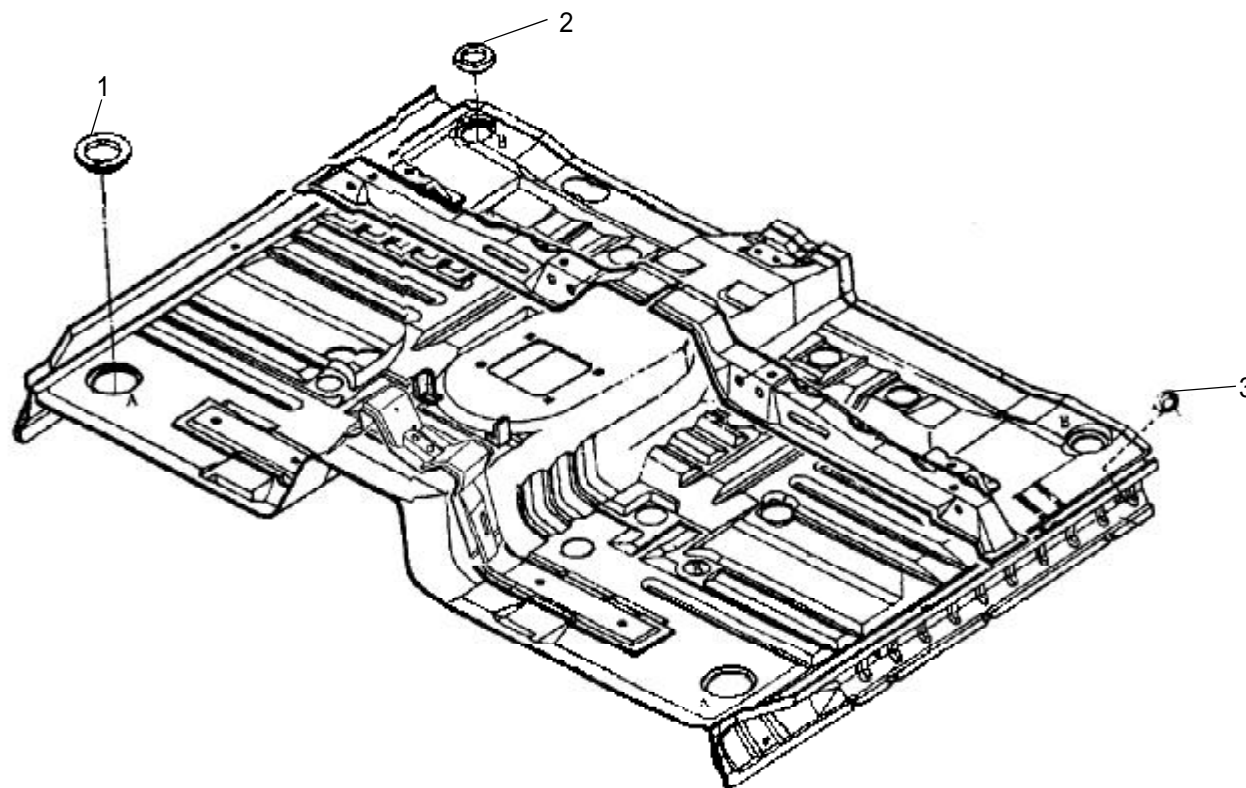


后备胎罩组件 SPARE TIRE COVER ASSEMBLY

序号 S/N	零部件代号 PART CODE	零部件名称 PART NAME	用量 QTY	适用车型 VEHICLE APPLICABLE TO	备注 REMARK
A	3105200-F02	备胎罩总成 SPARE TIRE COVER ASSEMBLY	1	F00 F01 F02 F03 F04 F05	
1	3105011-F01	备胎罩 SPARE TIRE COVER	1		
2	3105200-F01	不锈钢备胎罩胎圈总成 SPARE TIRE COVER ASSEMBLY	1		
3	3105203-F02	扣式备胎罩护柄（左） SPARE TIRE COVER HANDLE, LH	1		
4	3105202-F02	扣式备胎罩中体 SPARE TIRE COVER CORE	1		
5	3105204-F02	扣式备胎罩护柄（右） SPARE TIRE COVER HANDLE, RH	1		
6	3105205-F02	扣式备胎罩反光罩 REFLECTOR COVER, SPARE TIRE COVER	1		
7	3105201-F02	备胎罩锁芯 SPARE TIRE COVER LOCK CYLINDER	1		
8	3105206-F02	扣式备胎罩锁座板 SPARE TIRE COVER LOCK PLATE	1		
9	3105208-F02	扣式备胎罩螺母 SPARE TIRE COVER PLASTIC NUT	1		



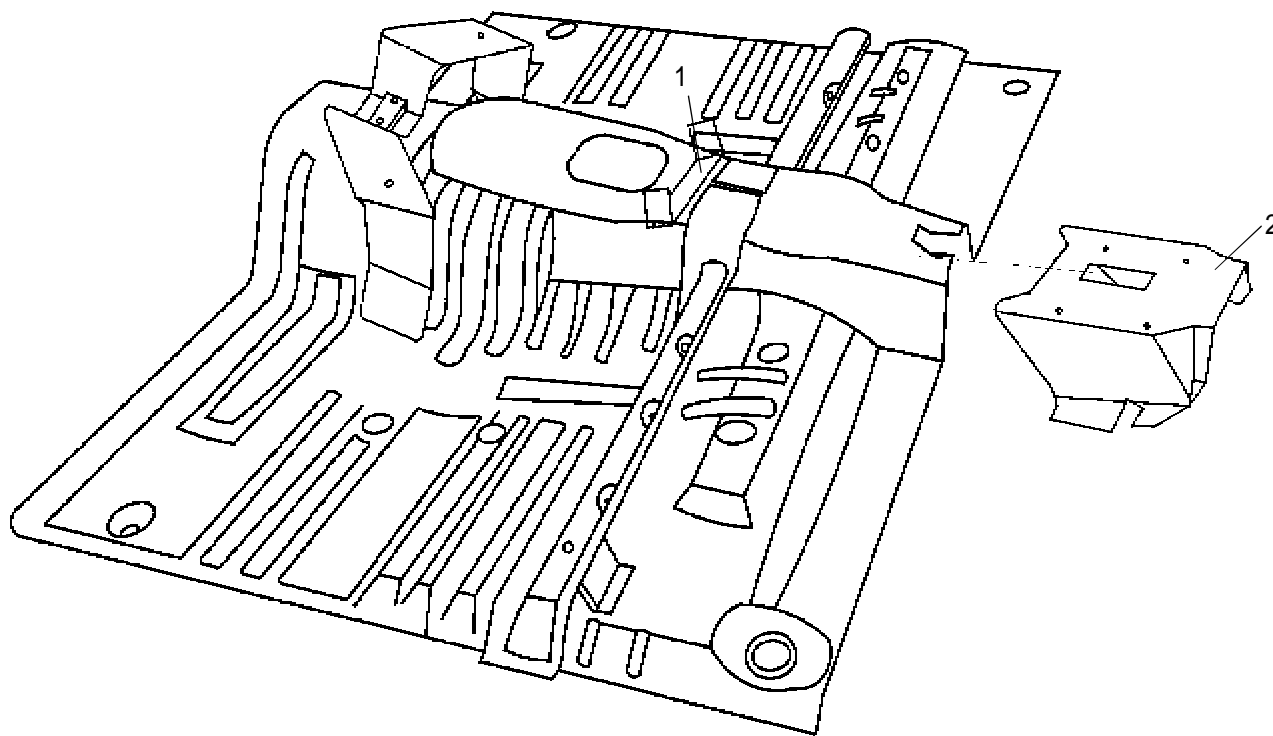
地板（一）——前地板 FLOOR (1)- FRONT FLOOR



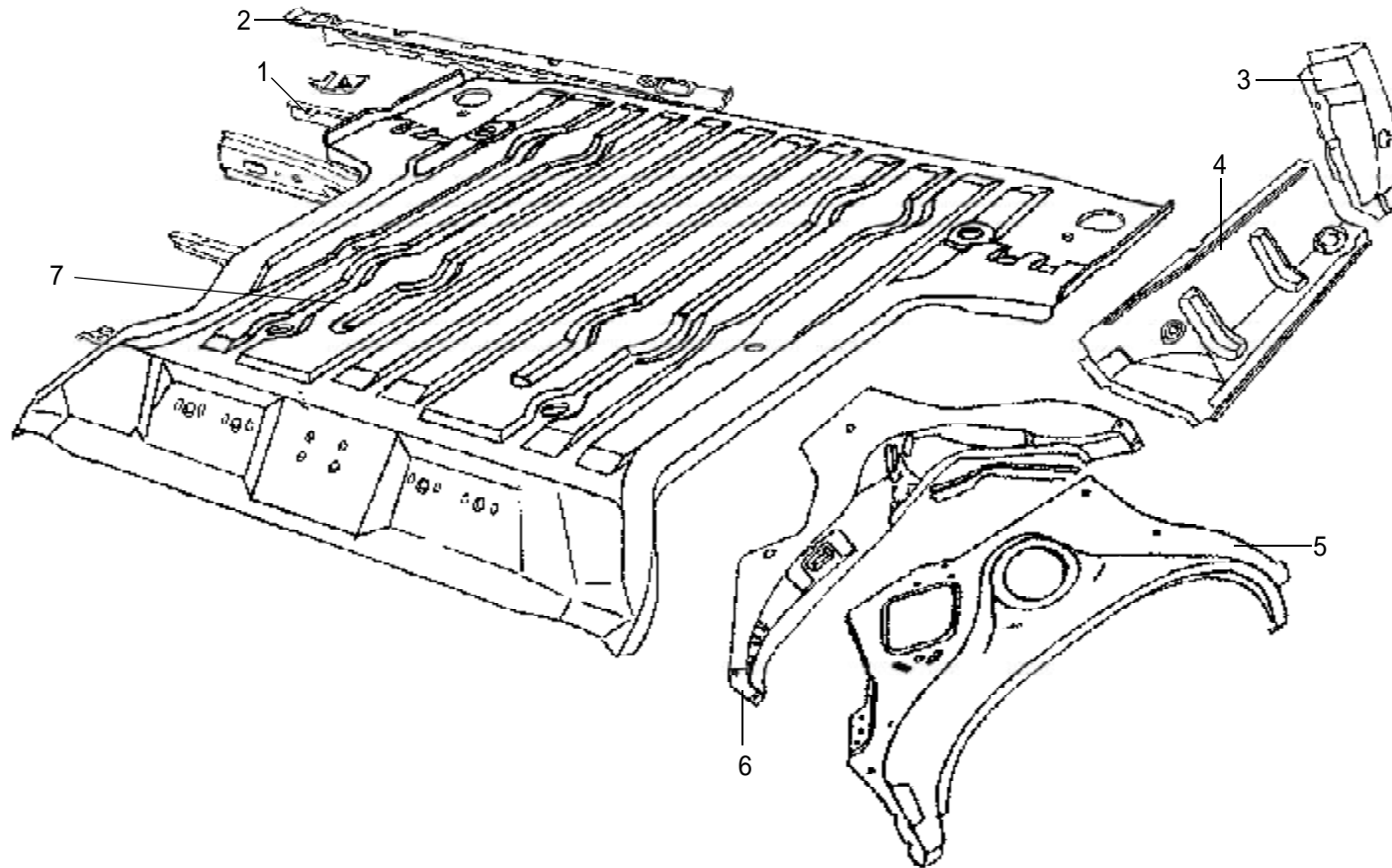
256

地板（二）——前地板 FLOOR (2)- FRONT FLOOR

258



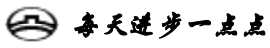
地板（三）——后地板 FLOOR (3)- REAR FLOOR



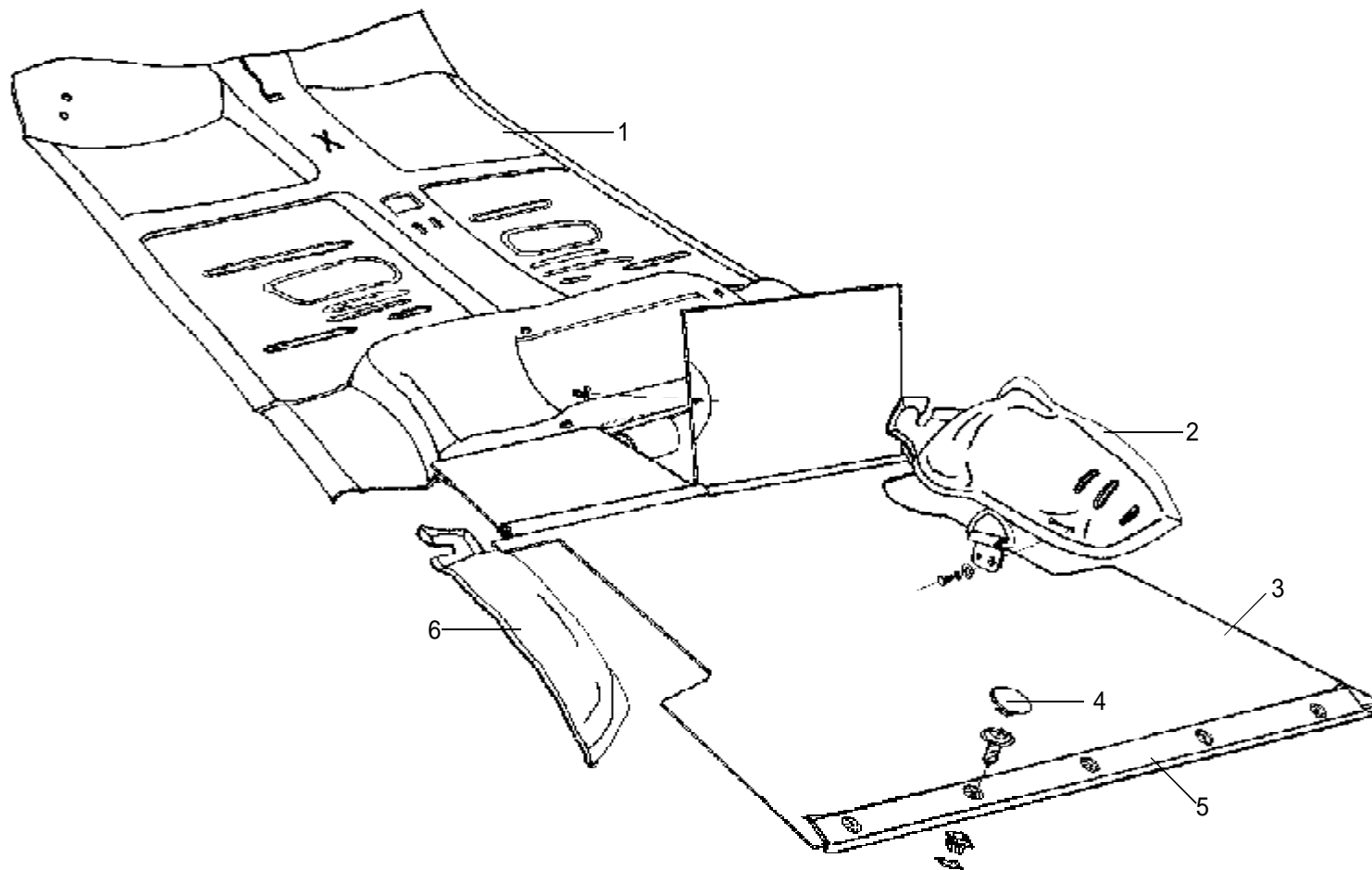
260

地板 (三) —— 后地板 FLOOR (3)- REAR FLOOR

序号 S/N	零部件代号 PART CODE	零部件名称 PART NAME	用量 QTY	适用车型 VEHICLE APPLICABLE TO	备注 REMARK	
1	5130310-F00	后地板尾横梁内板总成 CROSSMEMBER INNER PANEL, REAR FLOOR PANEL	1	F00 F01 F02 F03 F04 F05		
2	5130303-F00	后地板尾横梁外板 CROSSMEMBER OUTER PANEL, REAR FLOOR PANEL	1			
3	5130103-F00	左后地板后弯角 REAR FLOOR REAR BEND, LH	1			
	5130104-F00	右后地板后弯角 REAR FLOOR REAR BEND, RH	1			
4	5130100-F00	左后地板边板总成 REAR FLOOR SIDE PANEL ASSEMBLY, LH	1			
	5130200-F00	右后地板边板总成 REAR FLOOR SIDE PANEL ASSEMBLY, RH	1			
5	5401751-F00	左后轮弧外板 REAR WHEEL ARCH OUTER PANEL, LH	1			
	5401752-F00	右后轮弧外板 REAR WHEEL ARCH OUTER PANEL, RH	1			
6	5401850-F00	左后轮弧内板总成 REAR WHEEL ARCH INNER PANEL, LH	1			
	5401860-F00	右后轮弧内板总成 REAR WHEEL ARCH INNER PANEL, RH	1			
7	5130011-F00	后地板 REAR FLOOR	1			



地板（四）——地毯 FLOOR(4)- CARPET

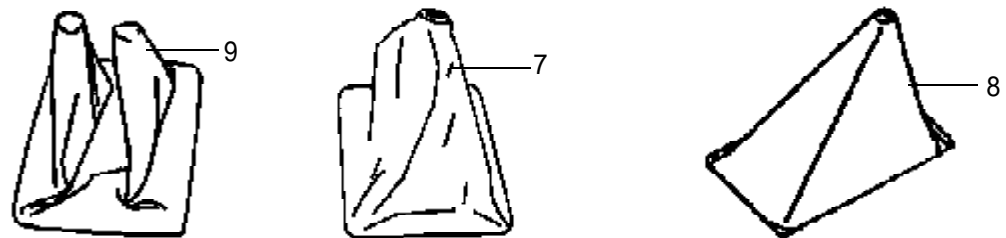


262

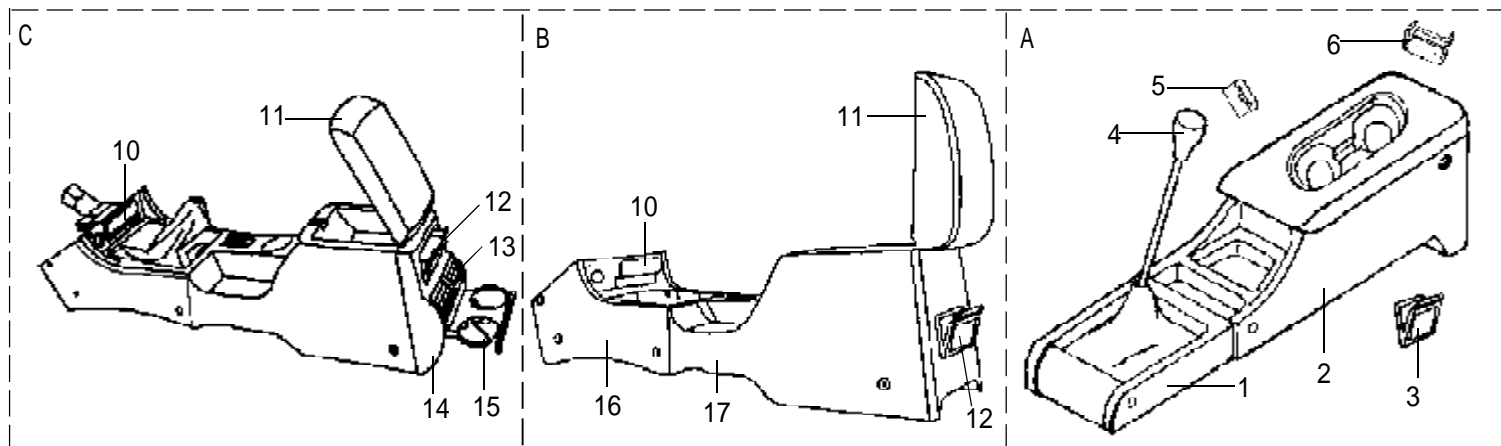
地板（四）—— 地毯 FLOOR(4)- CARPET

序号 S/N	零部件代号 PART CODE	零部件名称 PART NAME	用量 QTY	适用车型 VEHICLE APPLICABLE TO	备注 REMARK
1	5109011-F00-0314	前地毯 CARPET (MODEL 2003, LIGHT COFFEE)	1	F00 F01	2003 款浅咖啡色
	5109011-F00-B1-0314	前地毯 CARPET (MODEL 2003, LIGHT COFFEE)			2003 款浅咖啡色
	5109011-F00-0315	前地毯 CARPET (MODEL 2004, PALE BROWN)			2004 款棕黄色
	5109011-F00-B1-0315	前地毯 CARPET (dropped floor)		F00 F04	降地板
	5109011-F00-C1-0315	前地毯 CARPET (dropped floor,the installation dimensions of the front seat are changed)			降地板, 前座椅安装尺寸变
	5109011-F01-0315	前地毯 CARPET (MODEL 2004, PALE BROWN)		F01	2004 款棕黄色
2	5109042-F00-0314	右轮弧装饰罩 WHEEL ARCH MAT, RH (MODEL 2003, LIGHT COFFEE)	1		2003 款浅咖啡色
	5109042-F00-0315	右轮弧装饰罩 WHEEL ARCH MAT, RH (MODEL 2004, PALE BROWN)		F00 F01 F04 F05	2004 款棕黄色
3	5109021-F00-0314	后地毯 CARGO CARPET (MODEL 2003, LIGHT COFFEE)	1	F00 F01	2003 款浅咖啡色
	5109021-F00-0315	后地毯 CARGO CARPET (MODEL 2004, PALE BROWN)		F00 F01 F04 F05	2004 款棕黄色
4	5109033-F00-0314	后地毯压板盖 PRESSURE PLATE COVER,REAR CARGO BODY CARPET (MODEL 2003, LIGHT COFFEE)	5	F00 F01	2003 款浅咖啡色
	5109033-F00-0315	后地毯压板盖 PRESSURE PLATE COVER,REAR CARGO BODY CARPET (MODEL 2004, PALE BROWN)		F00 F01 F04 F05	2004 款棕黄色
5	5109031-F00-0314	后地毯压板 PRESSURE PLATE,REAR CARPET (MODEL 2003, LIGHT COFFEE)	1	F00 F01	2003 款浅咖啡色
	5109031-F00-0315	后地毯压板 PRESSURE PLATE,REAR CARPET (MODEL 2004, PALE BROWN)		F00 F01 F04 F05	2004 款棕黄色
6	5109041-F00-0314	左轮弧装饰罩 WHEEL ARCH MAT, LH (MODEL 2003, LIGHT COFFEE)	1	F00 F01	2003 款浅咖啡色
	5109041-F00-0315	左轮弧装饰罩 WHEEL ARCH MAT, LH (MODEL 2004, PALE BROWN)		F00 F01 F04 F05	2004 款棕黄色

地板（五）——变速器装饰罩及配件 FLOOR(5)-FLOOR CONSOLE AND ACCESSORIES



264



地板（五）—— 变速器装饰罩及配件
FLOOR(5)- FLOOR CONSOLE AND ACCESSORIES

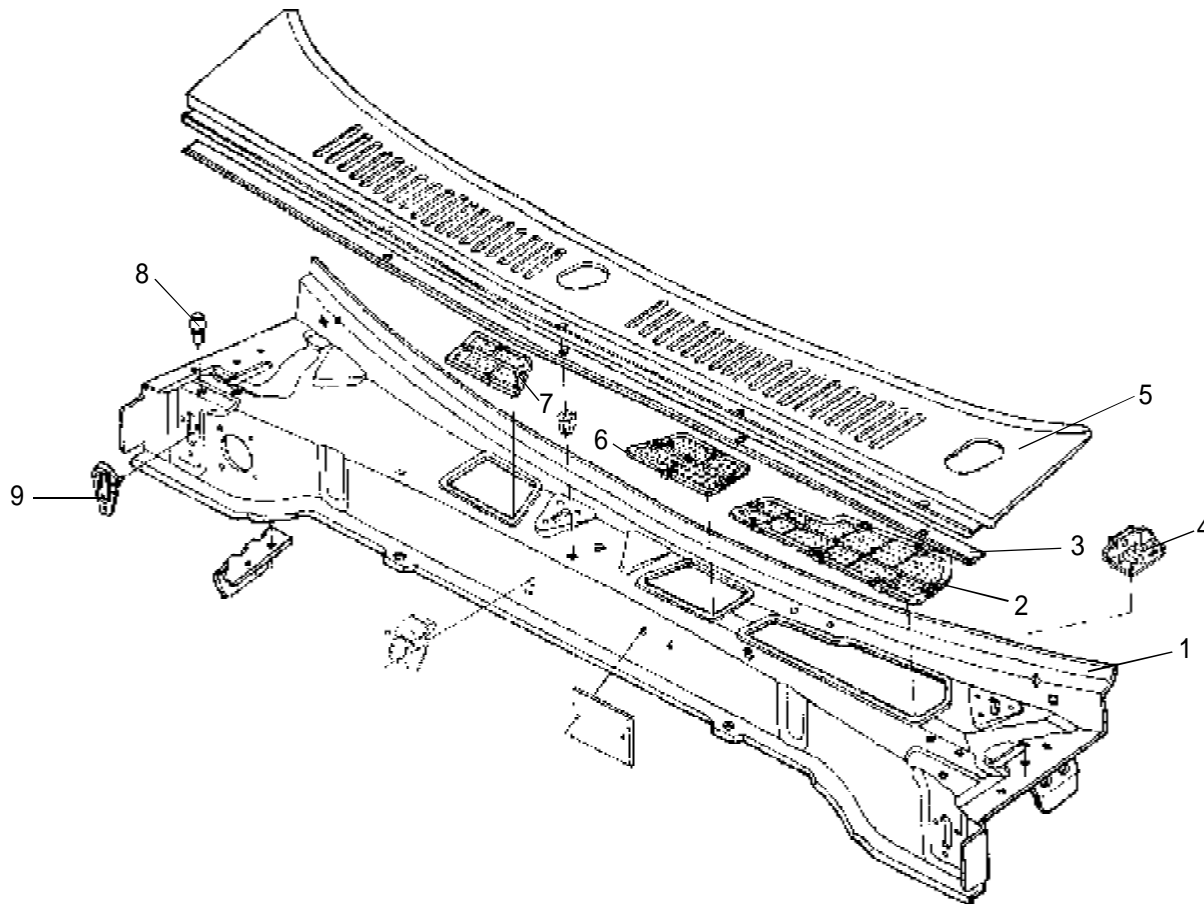
序号 S/N	零部件代号 PART CODE	零部件名称 PART NAME	用量 QTY	适用车型 VEHICLE APPLICABLE TO	备注 REMARK
A	5305010-F00-C1-0314	变速器装饰罩总成 FLOOR CONSOLE ASSEMBLY (MODEL 2003, LIGHT COFFEE)	1	F00 F01	2003 款浅咖啡色
B	5305010-F00-B1-0803	变速器装饰罩总成 FLOOR CONSOLE ASSEMBLY (MODEL 2004, BLACK)			2004 款黑色
	5305010-D07-0314	变速器装饰罩总成 FLOOR CONSOLE ASSEMBLY (MODEL 2004, LIGHT COFFEE)			2004 款浅咖啡色
C	5305010-F00-0803	变速器装饰罩总成 FLOOR CONSOLE ASSEMBLY (MODEL 2004, BLACK, FOR MACS AIR CONDITION SYSTEM)	1	F00 F04	2004 款麦克斯空调系统用黑色
	5305010-F00-0314	变速器装饰罩总成 FLOOR CONSOLE ASSEMBLY (MODEL 2004, LIGHT COFFEE FOR MACS AIR CONDITION SYSTEM)		F00 F01	2004 款麦克斯空调系统用浅咖啡色
	5305010-F01-0803	变速器装饰罩总成 FLOOR CONSOLE ASSEMBLY (MODEL 2004, 4WD, AND BLACK, FOR MACS AIR CONDITION SYSTEM)			2004 款麦克斯空调系统用四驱黑色
1	5305011-F00-B1-0314	变速器装饰罩前节 FRONT PART, FLOOR CONSOLE (MODEL 2003, LIGHT COFFEE)	1		2003 款浅咖啡色
2	5305012-F00-B1-0314	变速器装饰罩后节 REAR PART, FLOOR CONSOLE (MODEL 2003, LIGHT COFFEE)	1		2003 款浅咖啡色
3	5305014-F02	变速器装饰罩后烟灰缸 ASHTRAY, FLOOR CONSOLE (MAHOGANY PATTERN PURPLISH RED)	1	F02 F03	桃木纹枣红色
	5305014-F00-B1	变速器装饰罩后烟灰缸 ASHTRAY, FLOOR CONSOLE (GLOSSY MAHOGANY PATTERN PURPLISH RED)		F00 F01 F02 F03	亚光桃木纹枣红色
4	5305021-F02	变速杆手球 SHIFT LEVER BALL (MAHOGANY PATTERN PURPLISH RED)	1	F02 F03	桃木纹枣红
	5305021-F00	变速杆手球 SHIFT LEVER BALL (GLOSSY MAHOGANY PATTERN PURPLISH RED)		F00 F01 F02 F03 F04 F05	亚光桃木纹枣红色
5	5305054-F00-B1-0314	工具箱手扣 TOOL BOX HANDLE (MODEL 2003, LIGHT COFFEE)	1	F00 F01	2003 款浅咖啡色
	5305054-F00-0803	工具箱手扣 TOOL BOX HANDLE (MODEL 2004, BLACK)		F00 F01 F04 F05	2004 款黑色
6	5305052-F00	变速器装饰罩工具箱铰链 TOOL BOX HINGE (MODEL 2004)	1		2004 款
	5305053-F00	变速器装饰罩工具箱铰链 TOOL BOX HINGE (MODEL 2003)		F00 F01 F02 F03	2003 款

地板（五）—— 变速器装饰罩及配件
FLOOR(5)- FLOOR CONSOLE AND ACCESSORIES

序号 S/N	零部件代号 PART CODE	零部件名称 PART NAME	用量 QTY	适用车型 VEHICLE APPLICABLE TO	备注 REMARK
6	5305055-F00-0803	变速器装饰罩工具箱锁紧卡 TOOL BOX HINGE (MODEL 2004, UPPER AND LOWER BLACK, FOR MACS AIR CONDITION SYSTEM)	2	F00 F01 F04 F05	2004 款麦克斯空调系统用上、下黑色
	5305056-F00-0803	变速器装饰罩工具箱盖卡扣 HANDLE, TOOL BOX LID (MODEL 2004, BLACK)	1		2004 款含卡簧、卡舌、卡座黑色
7	5305015-F00-0803	变速杆装饰罩 TRIM COVER, SHIFT LEVER (MODEL 2004, BLACK, FOR MACS AIR CONDITION SYSTEM)	1	F00 F04	2004 款麦克斯空调系统用黑色
	5305015-F00-B1-0803	变速杆装饰罩 TRIM COVER, SHIFT LEVER (BLACK)		F00	黑色
8	5305015-D01-0314	变速杆装饰罩 TRIM COVER, SHIFT LEVER (LIGHT COFFEE)			浅咖啡色
9	5305015-F01-0314	变速杆装饰罩 TRIM COVER, SHIFT LEVER (LIGHT COFFEE)	1	F01	浅咖啡色
10	5305018-F00-1209	变速器装饰罩前烟灰缸面板 ASHTRAY PANEL (SILVER GREY)	1	F00 F01 F04 F05	银灰色
11	5305051-F00-0803	变速器装饰罩工具箱盖 TOOL BOX COVER (MODEL 2004, BLACK, FOR MACS AIR CONDITION SYSTEM)	1	F00 F01	2004 款麦克斯空调系统用黑色
	5305051-F00-B1-0803	变速器装饰罩工具箱盖 TOOL BOX COVER (MODEL 2004, BLACK)			2004 款黑色
	5305051-F00-B1-0314	变速器装饰罩工具箱盖 TOOL BOX COVER (MODEL 2004, LIGHT COFFEE)			2004 款浅咖啡色
12	5305014-F00-0803	变速器装饰罩后烟灰缸 REAR ASHTRAY, FLOOR CONSOLE (MODEL 2003, BLACK)	1	F00 F01 F04 F05	2003 款黑色
13	5305100-F00-0803	变速器装饰罩左右出风口总成 AIR VENTILATION ASSEMBLY, FLOOR CONSOLE	1		2004 款麦克斯空调系统用黑色
14	5305044-F00-0803	变速器装饰罩后盖 REAR SEAT, FLOOR CONSOLE (MODEL 2004, BLACK, FOR MACS AIR CONDITION SYSTEM)	1		2004 款麦克斯空调系统用黑色
15	5305200-F00-0803	变速器装饰罩茶杯架总成 TEACUP HOLDER, FLOOR CONSOLE (MODEL 2004, BLACK, FOR MACS AIR CONDITION SYSTEM)	1		2004 款麦克斯空调系统用黑色
16	5305011-F00-0803	变速器装饰罩前节 FRONT PART, FLOOR CONSOLE (MODEL 2004, BLACK)	1	F00 F01	2004 款黑色
	5305011-F00-0314	变速器装饰罩前节 FRONT PART, FLOOR CONSOLE (MODEL 2004, LIGHT COFFEE)	1		2004 款浅咖啡色

前围（一）——前通风窗盖板及前围上部总成

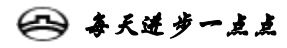
FRONT WALL (1) - FRONT VENT LID AND FRONT WALL UPPER PARTS ASSEMBLY



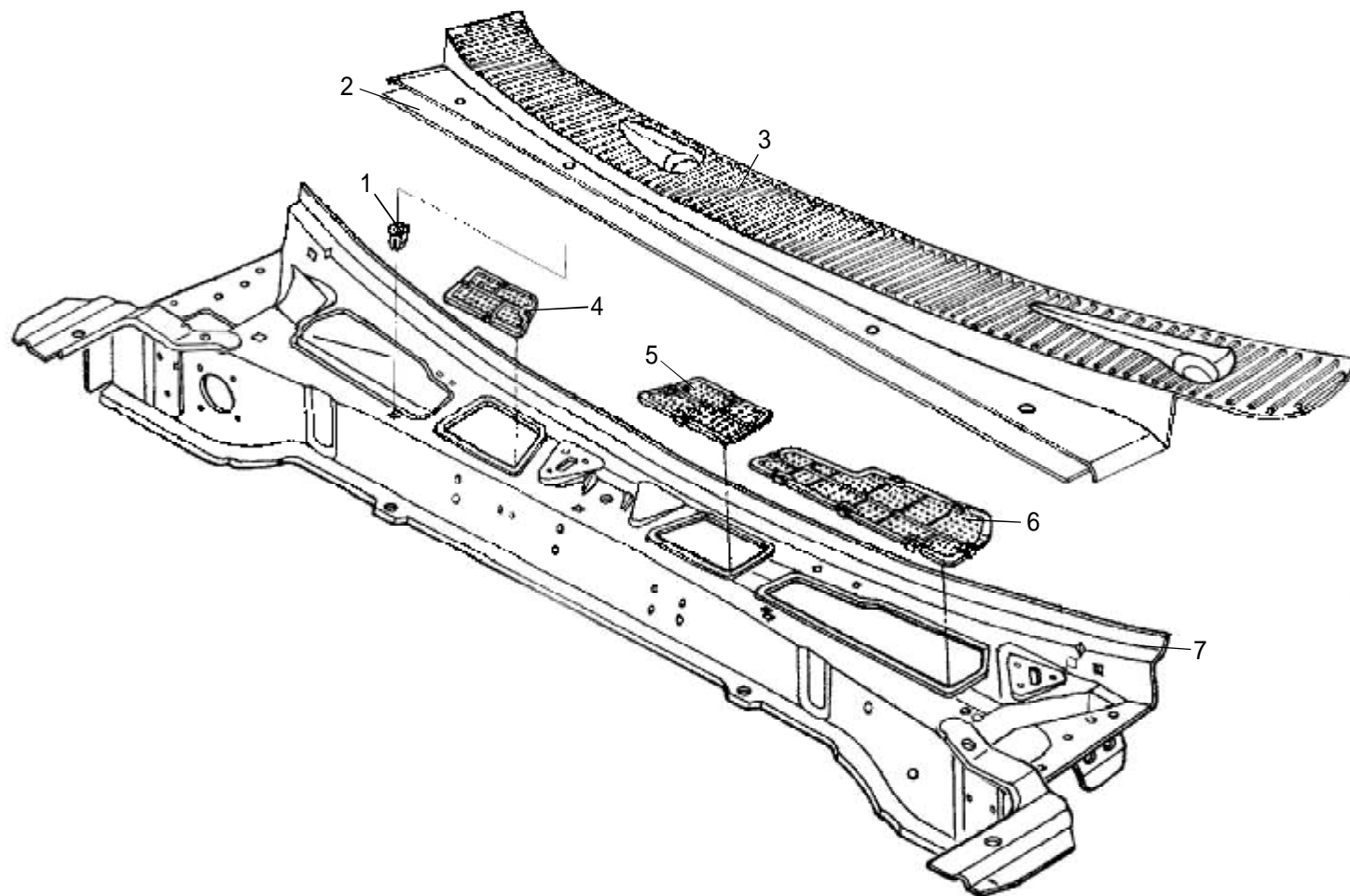
268

前围（一）—— 前通风窗盖板及前围上部总成
FRONT WALL (1) –FRONT VENT LID AND FRONT WALL UPPER PARTS ASSEMBLY

序号 S/N	零部件代号 PART CODE	零部件名称 PART NAME	用量 QTY	适用车型 VEHICLE APPLICABLE TO	备注 REMARK
1	5301100-D01	前围上部总成 UPPER PART ASSEMBLY, FRONT WALL	1	F02 F03	
2	5301012-D01	左前通风网 FRONT VENTILATION SCREEN, LH	1	F00 F01 F02 F03	
3	5301018-D22	通风盖板胶条 HOOD TO COWL TOP SEAL STRIP	1	F02 F03	
4	8402050-D22	左发动机罩铰链支座总成 ENGINE HOOD HINGE SEAT ASSEMBLY, LH	1		
	8402060-D22	右发动机罩铰链支座总成 ENGINE HOOD HINGE SEAT ASSEMBLY, RH	1		
5	5301200- D01	通风盖板总成 COWL TOP VENTILATOR LOUVER (WITHOUT FINISH PAINT)	1		
6	5301013-D01	中前通风网 FRONT VENTILATION SCREEN, MIDDLE	1	F00 F01 F02 F03	
7	5301014-D01	右前通风网 FRONT VENTILATION SCREEN, RH	1		
8	8402019-D22	发动机罩后缓冲垫 REAR BUFFER BLOCK,ENGINE HOOD	2	F02 F03	
9	8402014-D22	发动机罩合页密封垫 SEAL WASHER,ENGINE HINGE	2		

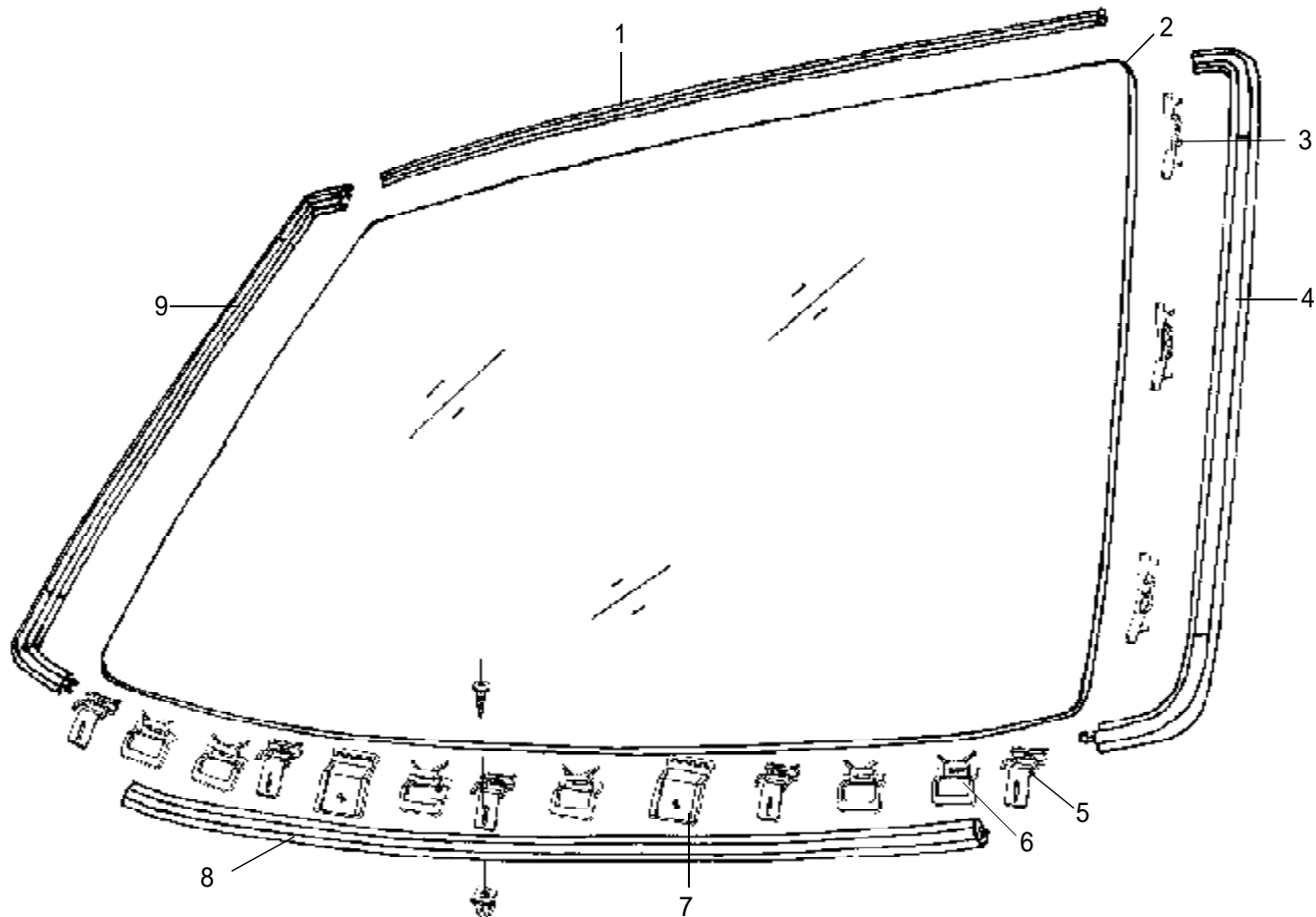


前围（二）——前通风窗盖板及前围上部总成
FRONT WALL (2) - FRONT VENT LID AND FRONT WALL UPPER PARTS ASSEMBLY



270

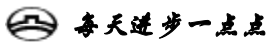
前风窗及附件 FRONT WINDSHIELD AND ACCESSORIES



272

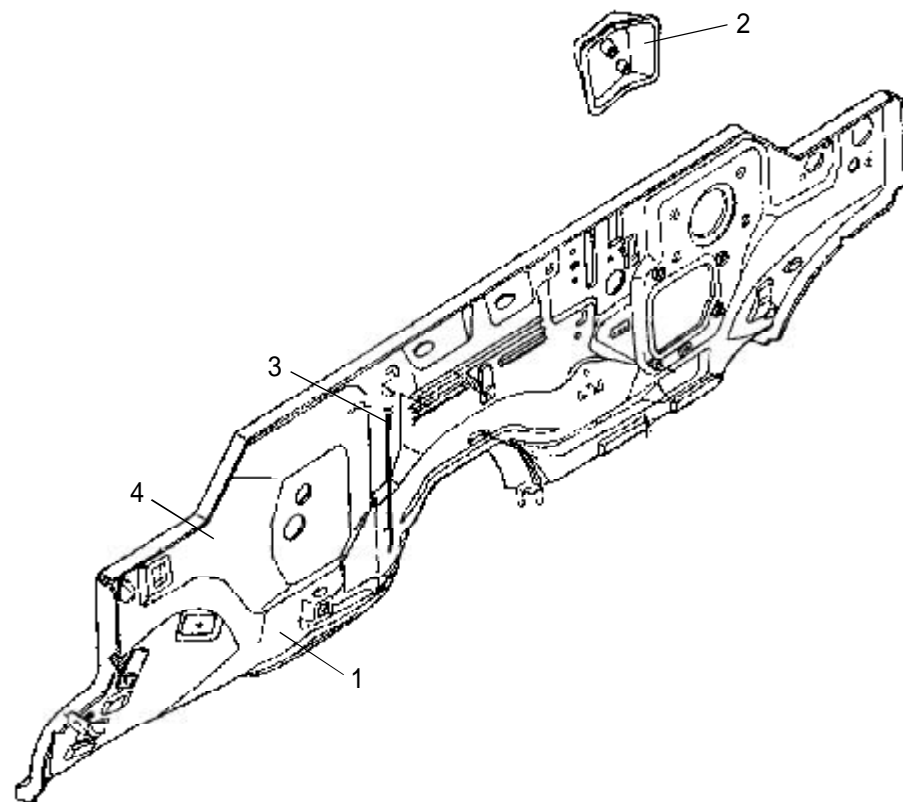
前风窗及附件 FRONT WINDSHIELD AND ACCESSORIES

序号 S/N	零部件代号 PART CODE	零部件名称 PART NAME	用量 QTY	适用车型 VEHICLE APPLICABLE TO	备注 REMARK
1	5206101-F00	前风窗上亮条 UPPER GARNISH STRIP, FRONT WINDSHIELD	1	F00 F01 F02 F03 F04 F05	
2	5206011-F00	前风窗玻璃 FRONT WINDSHIELD	1		
3	5206201-F00	卡子 L-1 CLIP L-1	6		
4	5206103-F00	前风窗左亮条 LEFT GARNISH STRIP, FRONT WINDSHIELD	1		
5	5206203-F00	卡子 L-3 CLIP L-3	5		
6	5206202-F00	卡子 L-2 CLIP L-2	6		
7	5206204-F00	卡扣 L-9 BUCKLE L-9	2		
8	5206102-F00	前风窗下亮条 LOWER GARNISH STRIP, FRONT WINDSHIELD	1		
9	5206104-F00	前风窗右亮条 RIGHT GARNISH STRIP, FRONT WINDSHIELD	1		



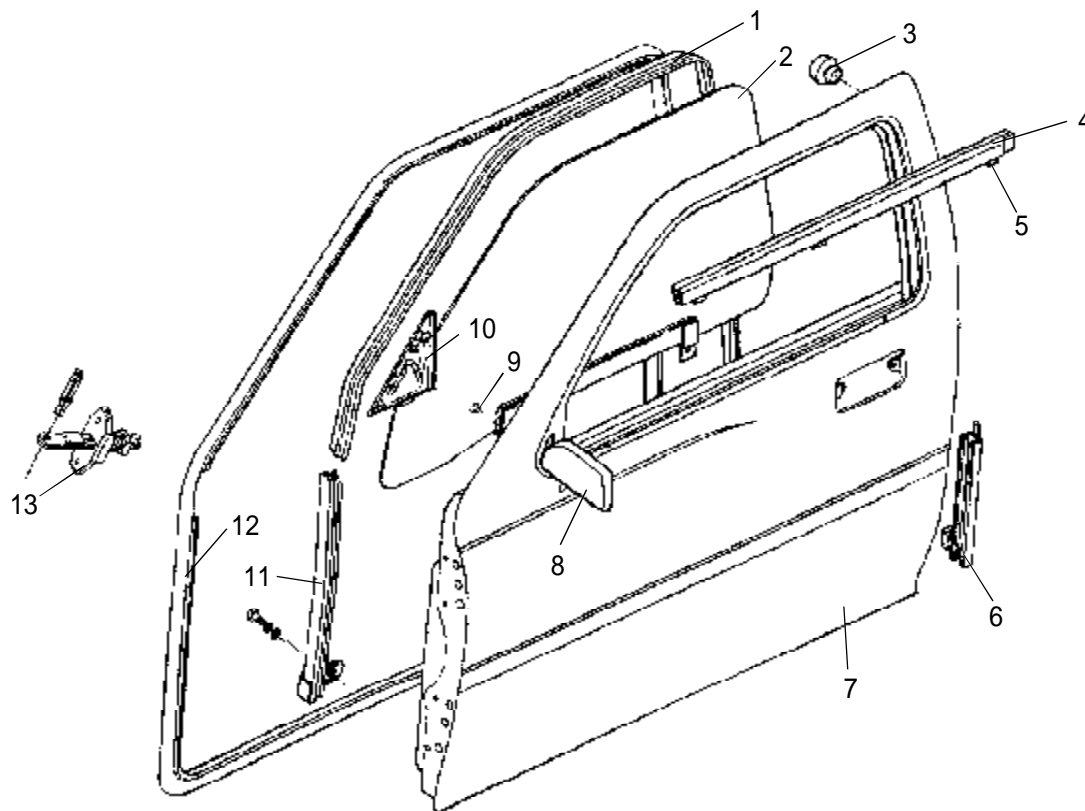
前围挡板总成 FRONT WALL ASSEMBLY

274



左前侧面车门总成 LEFT FRONT DOOR ASSEMBLY

276



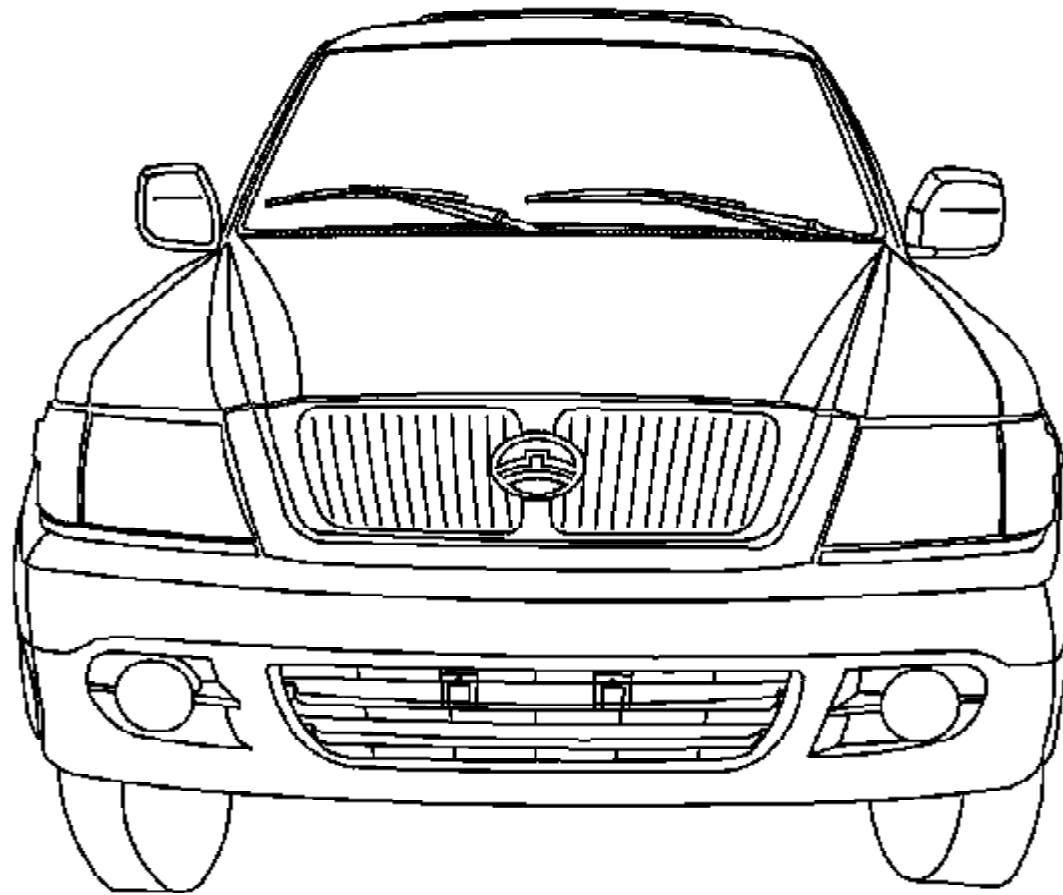
左前侧面车门总成 LEFT FRONT DOOR ASSEMBLY

序号 S/N	零部件代号 PART CODE	零部件名称 PART NAME	用量 QTY	适用车型 VEHICLE APPLICABLE TO	备注 REMARK
1	6107301-D01	左前侧面车门玻璃呢槽 FRONT DOOR GLASS RUN CHANNEL, LH	1	F00 F01 F02 F03 F04 F05	
2	6103011-F00	左前侧面车门玻璃 FRONT DOOR GLASS,LH	1		
3	6101011-F00	侧面车门缓冲块 DOOR DAMPING RUBBER BLOCK	1		
4	6107501-D01	左前侧面车门外水切 FRONT DOOR EXTERIOR WEATHERSTRIP, LH	1		
5	6107503-D01	外水切卡子 CLIP,EXTERIOR WEATHES'TRIP	5		
6	6101400-D01	左前侧面车门下导轨后段 FRONT DOOR GLASS LOWER RUN RAIL REAR SEGMENT, LH	1		
7	6101100-F00	左前侧面车门总成 FRONT DOOR ASSEMBLY,LH	1		
8	8202101-F00	左外后视镜 EXTERIOR REAR-VIEW MIRROR,LH (WITHOUT FINISH PAINT)	1	F00 F01 F04 F05	白皮
	8202101-D07	左外后视镜 EXTERIOR REAR-VIEW MIRROR,LH (POWER & ELECTROPLATE)			电动电镀
	8202101-D07-B1	左外后视镜 EXTERIOR REAR-VIEW MIRROR,LH (POWER & ELECTROPLATE WITH DEFROST FUNCTION)			电动电镀带除霜功能
	8202101-D07-C1	左外后视镜 EXTERIOR REAR-VIEW MIRROR,LH (POWER & ELECTROPLATE WITH ARABIC WORDS ON IT)			电动电镀带阿拉伯文
9	8202011-D01	三角内饰板固定卡扣 CLIP,TRIM PANEL,DOOR TRIANGULAR WINDOW	1	F00 F01 F02 F03 F04 F05	
10	8202201-F00-0314	左前车窗三角内饰板 TRIM PANEL,FRONT DOOR TRIANGULAR WINDOW ,LH (LIGHT COFFEE)	1	F00 F01	浅咖啡色
	8202201-F00-0803	左前车窗三角内饰板 TRIM PANEL,FRONT DOOR TRIANGULAR WINDOW ,LH (BLACK)		F00 F01 F04 F05	黑色
11	6101300-D01	左前侧面车门玻璃下导轨前段总成 FRONT DOOR GLASS LOWER RUN RAIL FRONT SEGMENT ASSEMBLY, LH	1	F00 F01 F02 F03 F04 F05	
12	6107201-F00	左前侧面车门密封条 FRONT DOOR SEALING STRIPS, LH	1		
13	6109100-D01	前侧面车门限位器总成 FRONT DOOR CHECK STOP ASSEMBLY	1		

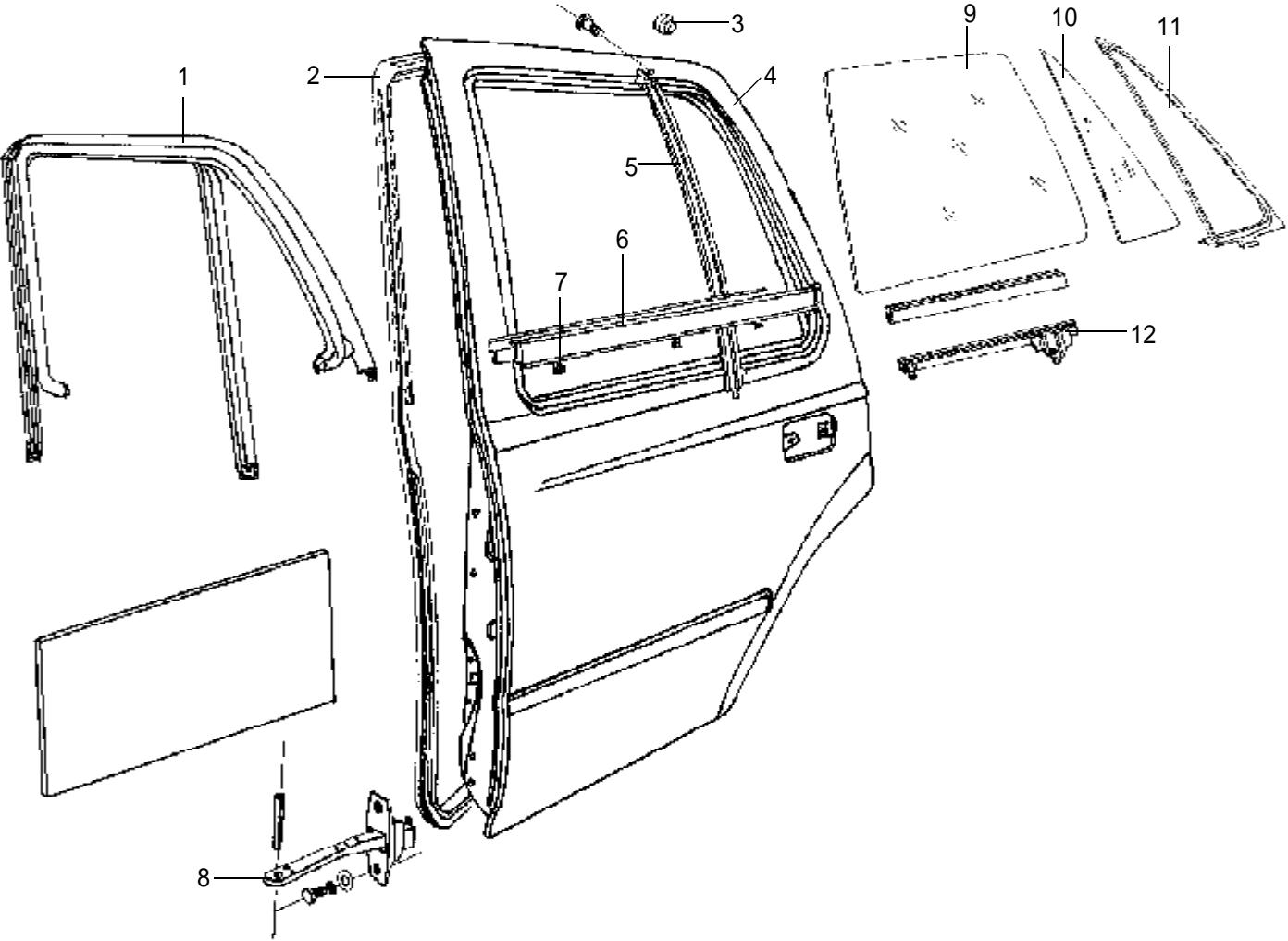
右前侧面车门总成 RIGHT FRONT DOOR ASSEMBLY

序号 S/N	零部件代号 PART CODE	零部件名称 PART NAME	用量 QTY	适用车型 VEHICLE APPLICABLE TO	备注 REMARK
1	6107302-D01	右前侧面车门玻璃呢槽 FRONT DOOR GLASS RUN CHANNEL,RH	1	F00 F01 F02 F03 F04 F05	
2	6103012-F00	右前侧面车门玻璃 FRONT DOOR GLASS,RH	1		
3	6101011-F00	车门缓冲块 DOOR DAMPING RUBBER BLOCK	1		
4	6107502-D01	右前侧面车门外水切 FRONT DOOR EXTERIOR WEATHERSTRIP, RH	1		
5	6107503-D01	外水切卡子 CLIP,EXTERIOR WEATHESTRIP	5		
6	6109600-D01	右前侧面车门下导轨后段总成 FRONT DOOR GLASS RUN RAIL REAR SEGMENT, RH	1		
7	6101200-F00	右前侧面车门总成 FRONT DOOR ASSEMBLY,RH	1		
8	8202102-F00	右外后视镜 EXTERIOR REAR-VIEW MIRROR,LH (WITHOUT FINISH PAINT)	1	F00 F01 F04 F05	白皮
	8202102-D07	右外后视镜 EXTERIOR REAR-VIEW MIRROR,LH (POWER & ELECTROPLATE)			电动电镀
	8202102-D07-B1	右外后视镜 EXTERIOR REAR-VIEW MIRROR,LH (POWER & ELECTROPLATE WITH DEFROST FUNCTION)			电动电镀带除霜功能
	8202102-D07-C1	右外后视镜 EXTERIOR REAR-VIEW MIRROR,LH (POWER & ELECTROPLATE WITH ARABIC WORDS ON IT)			电动电镀带阿拉伯文
9	8202011-D01	三角内饰板固定卡扣 CLIP,TRIM PANEL,DOOR TRIANGULAR WINDOW	1	F00 F01 F02 F03 F04 F05	
10	8202202-F00-0314	右前车窗三角内饰板 TRIM PANEL,FRONT DOOR TRIANGULAR WINDOW ,RH (LIGHT COFFEE)	1	F00 F01	浅咖啡色
	8202202-F00-0803	右前车窗三角内饰板 TRIM PANEL,FRONT DOOR TRIANGULAR WINDOW ,RH (BLACK)		F00 F01 F04 F05	黑色
11	6101500-D01	右前侧面车门玻璃下导轨前段总成 FRONT SECTION ASSEMBLY,LOWER GLASS RUN RAIL,RH	1	F00 F01 F02 F03 F04 F05	
12	6107202-F00	右前侧面车门密封条 FRONT DOOR SEALING STRIPS, RH	1		
13	6109100-D01	前侧面车门限位器总成 FRONT DOOR CHECK STOP ASSEMBLY	1		

278



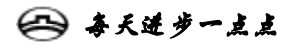
左后侧面车门总成 LEFT REAR DOOR ASSEMBLY



280

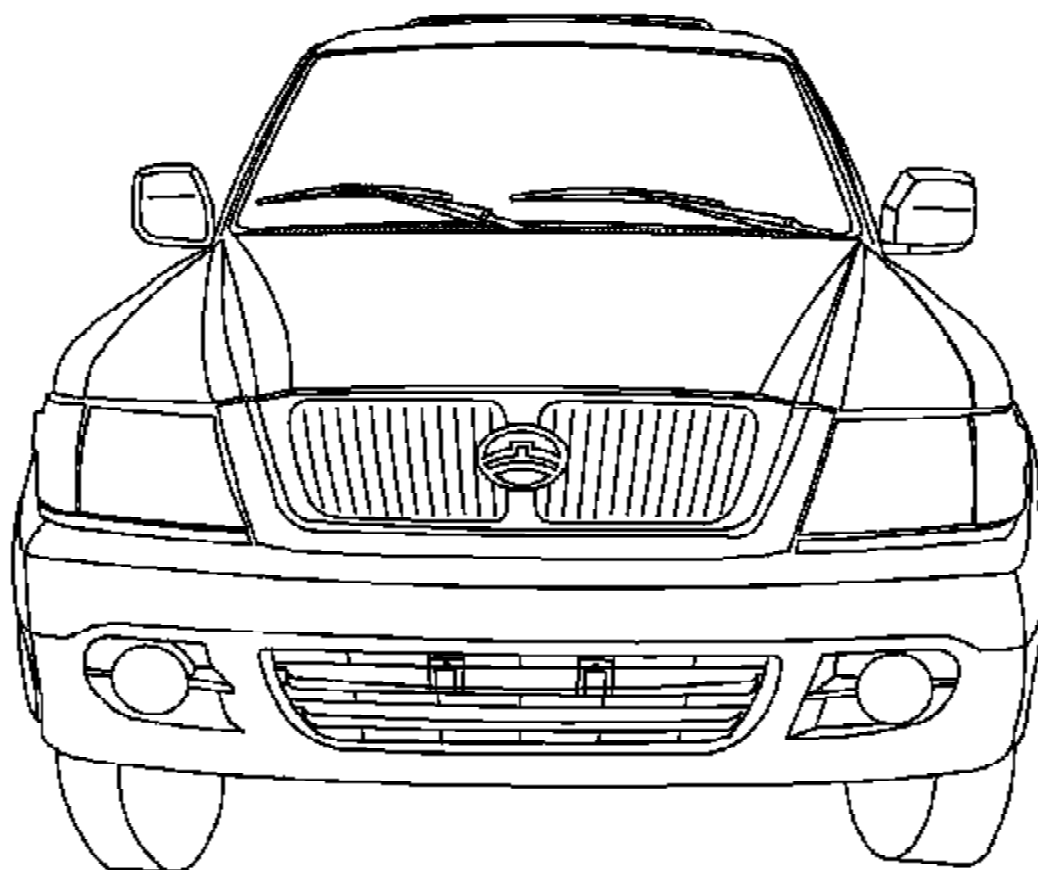
左后侧面车门总成 LEFT REAR DOOR ASSEMBLY

序号 S/N	零部件代号 PART CODE	零部件名称 PART NAME	用量 QTY	适用车型 VEHICLE APPLICABLE TO	备注 REMARK
1	6207301-F00	左后侧面车门玻璃呢槽 REAR DOOR GLASS RUN CHANNEL,LH	1	F00 F01 F02 F03 F04 F05	
2	6207201-F00	左后侧面车门密封条 REAR DOOR SEALING STRIPS,LH	1		
3	6101011-F00	侧面车门缓冲块 DOOR DAMPING RUBBER BLOCK	1		
4	6201100-F00	左后侧面车门总成 REAR DOOR ASSEMBLY,LH	1		
5	6203023-F00	左后侧面车门三角框上部 REAR TRIANGLAR WINDOW GLASS UPPER RUN, LH	1		
6	6207501-F00	左后侧面车门外水切 REAR DOOR EXTERIOR WEATHERSTRIP, LH	1		
7	6107503-D01	侧面外水切卡子 CLIP,EXTERIOR WEATHESTRIP	5		
8	6209100-D01	后侧面车门限位器总成 REAR DOOR CHECK STOP ASSEMBLY	1		
9	6203011-F00	左后侧面车门玻璃 REAR DOOR GLASS,LH	1		
10	6203021-F00	左后侧面车门三角窗玻璃 REAR TRIANGLAR WINDOW GLASS, LH	1		
11	6207101-F00	左后侧面车门三角窗玻璃胶条 REAR TRIANGLAR WINDOW SEALING STRIP, LH	1		
12	6203013-F00	左后侧面车门玻璃托架 REAR DOOR GLASS HOLDER, LH	1		
	6203015-F00	后侧面车门玻璃托架衬垫 LINER,REAR DOOR GLASS HOLDER	2		

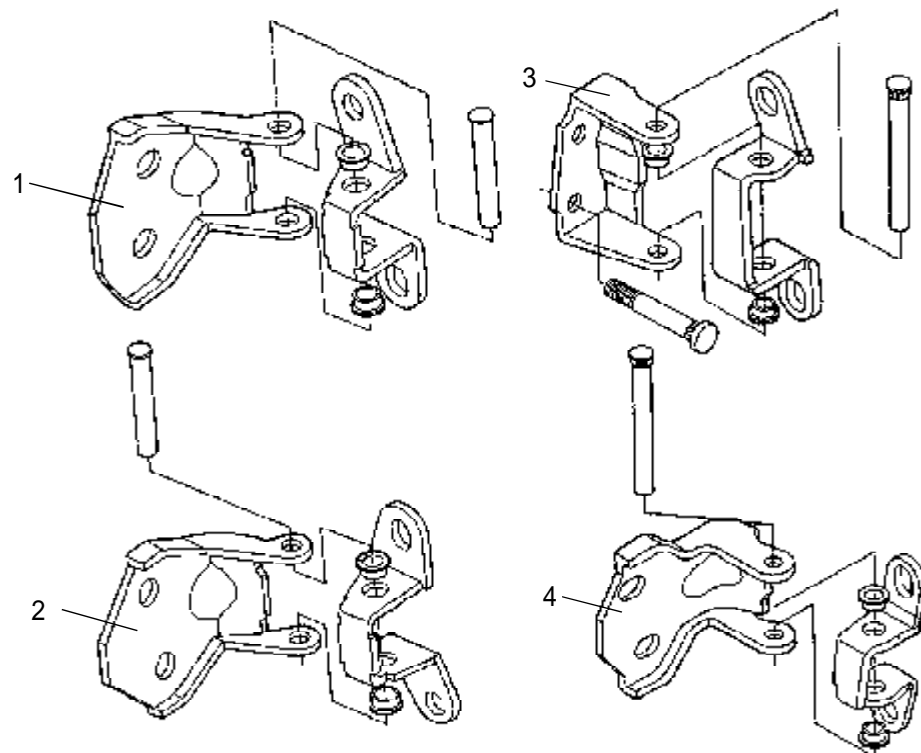


右后侧面车门总成 RIGHT REAR DOOR ASSEMBLY

序号 S/N	零部件代号 PART CODE	零部件名称 PART NAME	用量 QTY	适用车型 VEHICLE APPLICABLE TO	备注 REMARK
1	6207302-F00	右后侧面车门玻璃呢槽 RIGHT BACK SIDE DOOR WINDOW RAISE AND LOWER THROUGH	1	F00 F01 F02 F03 F04 F05	
2	6207202-F00	右后侧面车门密封条 RIGHT BACK SIDE DOOR SEAL RIBBON	1		
3	6101011-F00	侧面车门缓冲块 DOOR BUFFER BLOCK	1		
4	6201200-F00	右后侧面车门总成 RIGHT BACK SIDE DOOR ASSEMBLY	1		
5	6203024-F00	右后侧面车门三角框上部 RIGHT BACK SIDE DOOR TRIANGLE FRAME UPPER PART	1		
6	6107502-F00	右后侧面车门外水切 RIGHT BACK SIDE DOOR OURSIDE MOLDING	1		
7	6107503-D01	侧面外水切卡子 OURSIDE MOLDING CLIP	5		
8	6209100-D01	后侧面车门限位器总成 BACK SIDE DOOR RESTRAINER	1		
9	6203012-F00	右后侧面车门玻璃 RIGHT BACK SIDE DOOR WINDOW	1		
10	6203022-F00	右后侧面车门三角窗玻璃 RIGHT BACK SIDE DOOR TRIANGLE WINDOW	1		
11	6207102-F00	右后侧面车门三角窗玻璃胶条 RIGHT BACK SIDE TRIANGLE WINDOW RUBBER	1		
12	6203014-F00	右后侧面车门玻璃托架 BACK SIDE DOOR GLASS CARRIER	1		
	6203015-F00	后侧面车门玻璃托架 LINER,REAR DOOR GLASS HOLDER	2		



车门上下铰链总成 DOOR UPPER AND LOWER HINGE ASSEMBLY



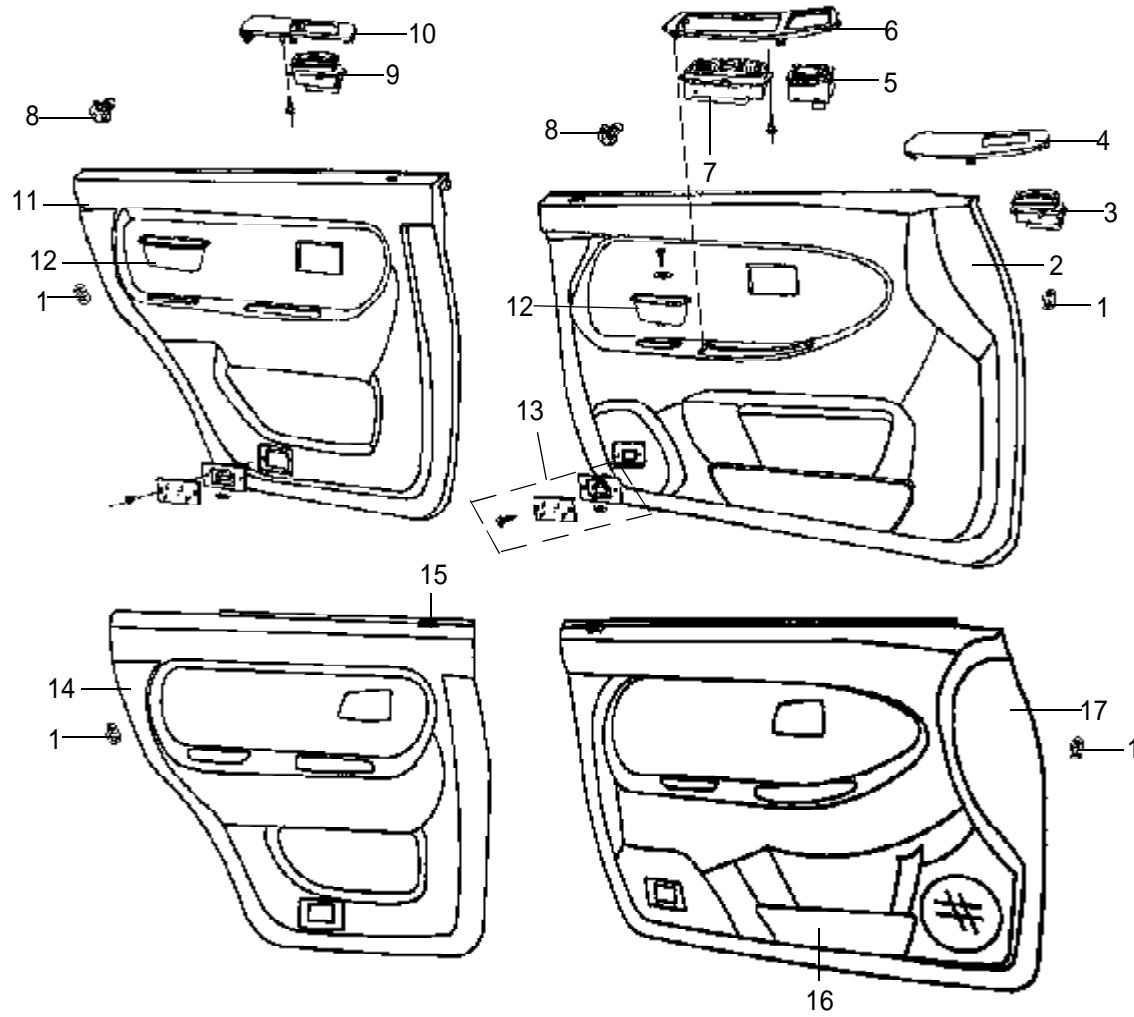
284

车门上下铰链总成 DOOR UPPER AND LOWER HINGE ASSEMBLY

序号 S/N	零部件代号 PART CODE	零部件名称 PART NAME	用量 QTY	适用车型 VEHICLE APPLICABLE TO	备注 REMARK
1	6106100-F00	左前侧面车门上铰链总成 UPPER HINGE ASSEMBLY,FRONT DOOR,LH	1	F00 F01 F02 F03 F04 F05	L2
	6106200-F00	右前侧面车门上铰链总成 UPPER HINGE ASSEMBLY,FRONT DOOR,RH	1		R1
2	6106300-F00	左前侧面车门下铰链总成 LOWER HINGE ASSEMBLY,FRONT DOOR,LH	1		L4
	6106400-F00	右前侧面车门下铰链总成 LOWER HINGE ASSEMBLY,FRONT DOOR,RH	1		R3
3	6206100-F00	左后侧面车门上铰链总成 REAR DOOR UPPER HINGE ASSEMBLY,LH	1		L6
	6206200-F00	右后侧面车门上铰链总成 REAR DOOR UPPER HINGE ASSEMBLY,RH	1		R5
4	6206300-F00	左后侧面车门下铰链总成 REAR DOOR LOWER HINGE ASSEMBLY,LH	1		L8
	6206400-F00	右后侧面车门下铰链总成 REAR DOOR LOWER HINGE ASSEMBLY,RH	1		R7



左侧面车门内饰板 LEFT DOOR INNER TRIM PANEL



左侧面车门内饰板 LEFT LEFT DOOR INNER TRIM PANEL

序号 S/N	零部件代号 PART CODE	零部件名称 PART NAME	用量 QTY	适用车型 VEHICLE APPLICABLE TO	备注 REMARK
1	5832101-F00	儿童锁开关护圈 GARNISH RING, CHILDREN LOCK	2	F00 F01 F02 F03 F04 F05	
2	6102101-F00-B1-0314	左前侧面车门内饰板 TRIM PANEL, FRONT DOOR,LH (LIGHT COFFEE)	1	F00 F01 F02 F03	浅咖啡色
	6102101-F00-0803	左前侧面车门内饰板 TRIM PANEL, FRONT DOOR,LH (BLACK)		F00 F01 F04 F05	黑色
5	3746140-F00	外后视镜开关总成 EXTERIOR REAR VIEW MIRROR SWITCH (POWER)	1	F00 F01 F04 F05	登电 电动
6	3746101-F00-0111	左前门窗开关安装板 DRIVER SIDE WINDOW REGULATOR SWITCH MOUNTING PANEL (GLOSSY MAHOGANY PATTERN PURPLISH RED)	1	F00 F01 F02 F03	亚光枣红色桃木纹
	3746101-F02-0111	左前门窗开关安装板 DRIVER SIDE WINDOW REGULATOR SWITCH MOUNTING PANEL (MAHOGANY PATTERN PURPLISH RED)		F02 F03	桃枣红色
	3746101-F00-1209	左前门窗开关安装板 DRIVER SIDE WINDOW REGULATOR SWITCH MOUNTING PANEL (SILVER GREY)		F00 F01 F04 F05	银灰色
	3746101-F00-0314	左前门窗开关安装板 DRIVER SIDE WINDOW REGULATOR SWITCH MOUNTING PANEL (LIGHT COFFEE)		F00 F01	浅咖啡色
7	3746100-F02	左前门窗开关总成 DRIVER SIDE WINDOW REGULATOR SWITCH ASSEMBLY	1	F02 F03	红星
	3746100-F00	左前门窗开关总成 DRIVER SIDE WINDOW REGULATOR SWITCH ASSEMBLY		F00 F01 F04 F05	登电
8	6102013-F00	侧面车门内饰板固定扣 DOOR TRIM PANEL CLIP	20		
9	3746300-F00	左后门窗开关总成 WINDOW REGULATOR ASSEMBLY,REAR DOOR,LH	1	F00 F01 F03 F04 F05	登电
	3746200-F02	副门窗开关总成 WINDOW REGULATOR ASSEMBLY	3	F02	红星
10	3746301-F00-0111	后门窗开关安装板 WINDOW REGULATOR SWITCH MOUNTING PANEL,REAR DOOR(GLOSSY MAHOGANY PATTERN PURPLISH RED)	2	F00 F01 F02 F03	亚光枣红色桃木纹
	3746301-F02-0111	后门窗开关安装板 WINDOW REGULATOR SWITCH MOUNTING PANEL,REAR DOOR (MAHOGANY PATTERN PURPLISH RED)		F02 F03	枣红色桃木纹

左侧面车门内饰板 LEFT DOOR INNER TRIM PANEL

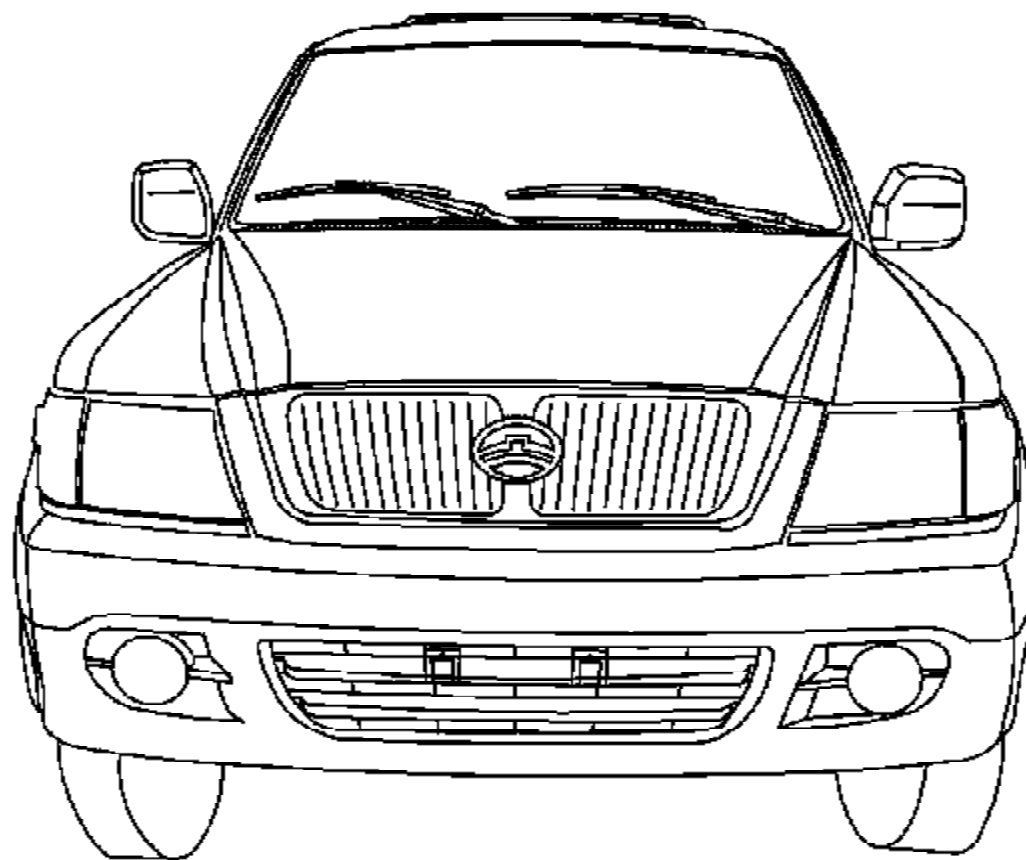
序号 S/N	零部件代号 PART CODE	零部件名称 PART NAME	用量 QTY	适用车型 VEHICLE APPLICABLE TO	备注 REMARK
10	3746301-F00-1209	后门窗开关安装板 SWITCH SEAT,POWER WINDOW REGULATOR (SILVER GREY)	2	F00 F01 F04 F05	银灰色
	3746301-F00-0314	后门窗开关安装板 WINDOW REGULATOR SWITCH MOUNTING PANEL,REAR DOOR (LIGHT COFFEE)		F00 F01	浅咖啡色
11	6202101-F00-B1-0314	左后侧面车门内饰板 TRIM PANEL, REAR DOOR, LH (LIGHT COFFEE)	1	F00 F01 F02 F03	浅咖啡色
12	6102103-F02	侧面车门内扣手 INNER DOOR HANDLE (MAHOGANY PATTERN PURPLISH RED)	2	F00 F01	枣红桃木纹
	6102103-F00-0803	侧面车门内扣手 INNER DOOR HANDLE (BLACK)		F00 F01 F04 F05	黑色
	6102103-F00-B1	侧面车门内扣手 INNER DOOR HANDLE (GLOSSY MAHOGANY PATTERN PURPLISH RED)		F00 F01 F02 F03	枣红色亚光桃木纹
13	4131010-D01	门灯总成 DOOR LAMPASSEMBLY	2	F00 F01 F02 F03 F04 F05	
14	6202101-F00-0803	左后侧面车门内饰板 TRIM PANEL, REAR DOOR, LH (BLACK)	1	F00 F01 F04 F05	黑色
	6202101-F00-0314	左后侧面车门内饰板 TRIM PANEL, REAR DOOR, LH (LIGHT COFFEE)		F00 F01 F02 F03	浅咖啡色

右侧面车门内饰板 RIGHT DOOR INNER TRIM PANEL

序号 S/N	零部件代号 PART CODE	零部件名称 PART NAME	用量 QTY	适用车型 VEHICLE APPLICABLE TO	备注 REMARK
1	5832101-F00	儿童锁开关护圈 GARNISH RING, CHILDREN LOCK	2	F00 F01 F02 F03 F04 F05	
2	6102102-F00-B1-0314	右前侧面车门内饰板 TRIM PANEL, FRONT DOOR,RH (LIGHT COFFEE)	1	F02 F03	浅咖啡色
	6102102-F00-0803	右前侧面车门内饰板 TRIM PANEL, FRONT DOOR,RH (BLACK)		F00 F01 F04 F05	黑色
3	3746200-F00	右前门窗开关总成 WINDOW REGULATOR SWITCH,FRONT DOOR,RH	1	F00 F01 F03 F04 F05	登电
4	3746201-F00-0111	右前门窗开关安装板 WINDOW REGULATOR SWITCH MOUNTING PANEL,FRONT DOOR,RH (GLOSSY MAHOGANY PATTERN PURPLISH RED)	1	F00 F01 F02 F03	枣红色亚光桃木纹
	3746201-F02-0111	右前门窗开关安装板 WINDOW REGULATOR SWITCH MOUNTING PANEL,FRONT DOOR,RH (MAHOGANY PATTERN PURPLISH RED)		F02 F03	枣红色桃木纹
	3746201-F00-1209	右前门窗开关安装板 WINDOW REGULATOR SWITCH MOUNTING PANEL,FRONT DOOR,RH (SILVER GREY)		F00 F01 F04 F05	银灰色
	3746201-F00-0314	右前门窗开关安装板 WINDOW REGULATOR SWITCH MOUNTING PANEL,FRONT DOOR,RH (LIGHT COFFEE)		F00 F01 F02 F03	浅咖啡色
8	6102011-F00	侧面车门内饰板固定扣 DOOR TRIM PANEL CLIP	18	F00 F01 F02 F03 F04 F05	
9	3746400-F00	右后门窗开关总成 WINDOW REGULATOR SWITCH,REAR DOOR,RH	1	F00 F01 F04 F05	登电
	3746200-F02	副门窗开关总成 WINDOW REGUALTOR ASSEMBLY	3	F02 F03	红星
10	3746301-F00-0111	后门窗开关安装板 WINDOW REGULATOR SWITCH MOUNTING PANEL,REAR DOOR (GLOSSY MAHOGANY PATTERN BACK DOOR PURPLISH RED)	2	F00 F01 F02 F03	枣红色亚光桃木纹
	3746301-F02-0111	后门窗开关安装板 WINDOW REGULATOR SWITCH MOUNTING PANEL,REAR DOOR (MAHOGANY PATTERN BACK DOOR PURPLISH RED)		F02 F03	枣红色桃木纹
	3746301-F00-1209	后门窗开关安装板 WINDOW REGULATOR SWITCH MOUNTING PANEL,REAR DOOR (SILVER GREY)		F00 F01 F04 F05	银灰色

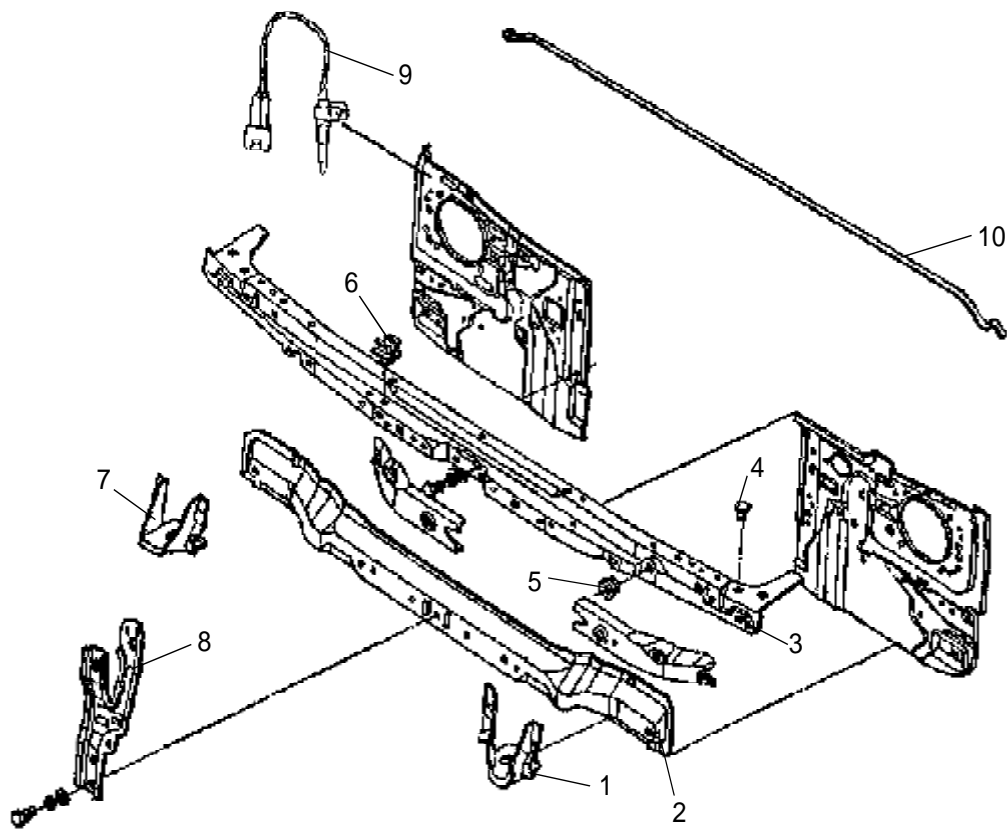
右侧面车门内饰板 RIGHT DOOR INNER TRIM PANEL

序号 S/N	零部件代号 PART CODE	零部件名称 PART NAME	用量 QTY	适用车型 VEHICLE APPLICABLE TO	备注 REMARK
10	3746301-F00-0314	后门窗开关安装板 SWITCH SEAT,POWER WINDOW REGULATOR (LIGHT COFFEE)	2	F00 F01	浅咖啡色
11	6202102-F00-B1-0314	右后侧面车门内饰板 TRIM PANEL, REAR DOOR, RH (LIGHT COFFEE)	1	F02 F03	浅咖啡色
12	6102103-F02	侧面车门内扣手 INNER DOOR HANDLE (MAHOGANY PATTERN PURPLISH RED)	2		纹枣红桃木
	6102103-F00-0803	侧面车门内扣手 INNER DOOR HANDLE (MODEL 2004,BLACK)		F00 F01 F04 F05	2004 款黑色
	6102103-F00-B1	侧面车门内扣手 INNER DOOR HANDLE (GLOSSY MAHOGANY PATTERN PURPLISH RED)		F00 F01 F02 F03	亚光桃木纹枣红
13	4131010-D01	门灯总成 DOOR LAMP ASSEMBLY	2	F00 F01 F02 F03 F04 F05	
14	6202102-F00-0803	右后侧面车门内饰板 TRIM PANEL, REAR DOOR, RH (BLACK)	1	F00 F01 F04 F05	黑色
	6202102-F00-0314	右后侧面车门内饰板 TRIM PANEL, REAR DOOR, RH (LIGHT COFFEE)		F00 F01	浅咖啡色
15	6102106-F00-0314	锁提钮座 SEAT,DOOR LOCK CONTROL KNOB (LIGHT COFFEE)	2		浅咖啡色
	6102106-F00-0803	锁提钮座 SEAT,DOOR LOCK CONTROL KNOB (BLACK)		F00 F01 F04 F05	黑色
16	6102032-F00-0803	右后侧面车门内饰板杂物箱 GLOVER BOX,DOOR TRIM PANEL, RH (MODEL 2004, BLACK)	1		2004 款黑色
	6102032-F00-B1-0314	右后侧面车门内饰板杂物箱 GLOVER BOX,DOOR TRIM PANEL, RH (MODEL 2003, LIGHT COFFEE)		F00 F01	2003 款浅咖啡色
17	6102102-F00-0803	右前侧面车门内饰板 TRIM PANEL, FRONT DOOR,RH (BLACK)	1	F00 F01 F04 F05	黑色
	6102102-F00-0314	右前侧面车门内饰板 TRIM PANEL, FRONT DOOR,RH (LIGHT COFFEE)		F00 F01	浅咖啡色



散热器支架总成 (一) RADIATOR BRACKET ASSEMBLY(1)

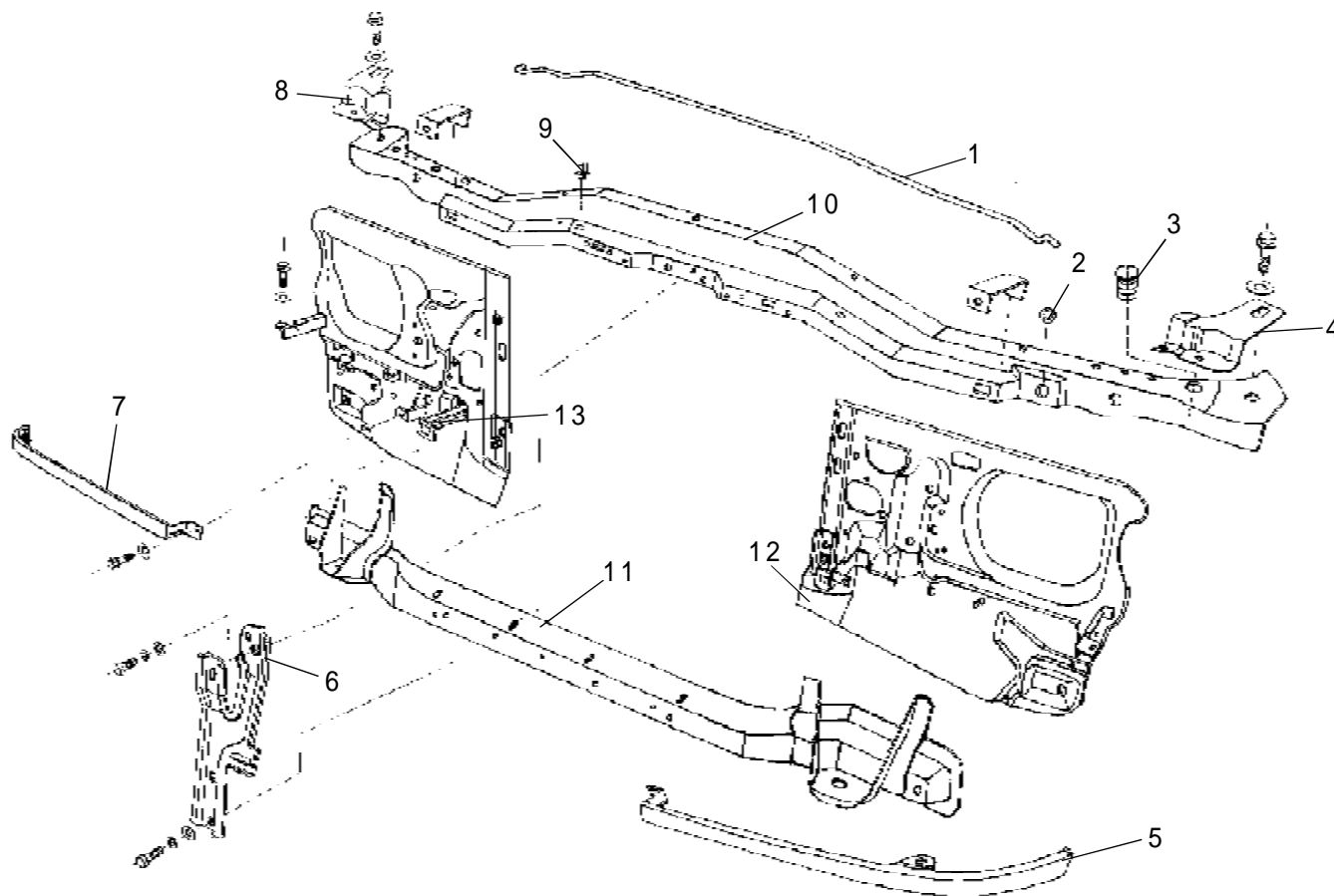
292



散热器支架总成（一） RADIATOR BRACKET ASSEMBLY(1)

序号 S/N	零部件代号 PART CODE	零部件名称 PART NAME	用量 QTY	适用车型 VEHICLE APPLICABLE TO	备注 REMARK
	8400700-D22	散热器支架总成 BRACKET ASSEMBLY,RADIATOR GRILL	1	F02 F03	
1	8400777-D22	左前悬置支架 FRONT SUSPENSION BRACKET, LH, RADIATOR BRACKET	1		
2	8400720-D22	散热器支架下横梁总成 LOWER CROSSMEMBER ASSEMBLY,RADIATOR BRACKET	1		
3	8400710-D22	散热器支架上横梁总成 UPPER CROSSMEMBER ASSEMBLY,RADIATOR BRACKET	1		
4	8403033-D01	发动机罩螺栓形胶垫 DAMPING BLOCK,ENGINE HOOD	2		
5	8400022-D01	发动机罩撑杆胶套 STRUT BAR BUSHING,ENGINE HOOD	1	F00 F01 F02 F03	
6	8400024-D22	发动机罩撑杆固定座 HOLDER,ENGINE HOOD STRUT ROD (SQUARE BUTTON 12)	1	F02 F03	方扣 12
7	8400778-D22	右前悬置支架 RONT SUSPENSION BRACKET, RH, RADIATOR BRACKET	1		
8	8502015-D22	发动机罩锁支架 LOCK BRACKET,ENGINE HOOD	1		
9	3809013-D01	室外温度传感器 OUTDOOR TEMPERATURE SENSOR(DA CHUAN)	1	F00 F01 F02 F03	大川
10	8400021-D22	发动机罩撑杆 ENGINE HOOD STRUT ROD	1	F02 F03	

散热器支架总成 (二) RADIATOR BRACKET ASSEMBLY(2)



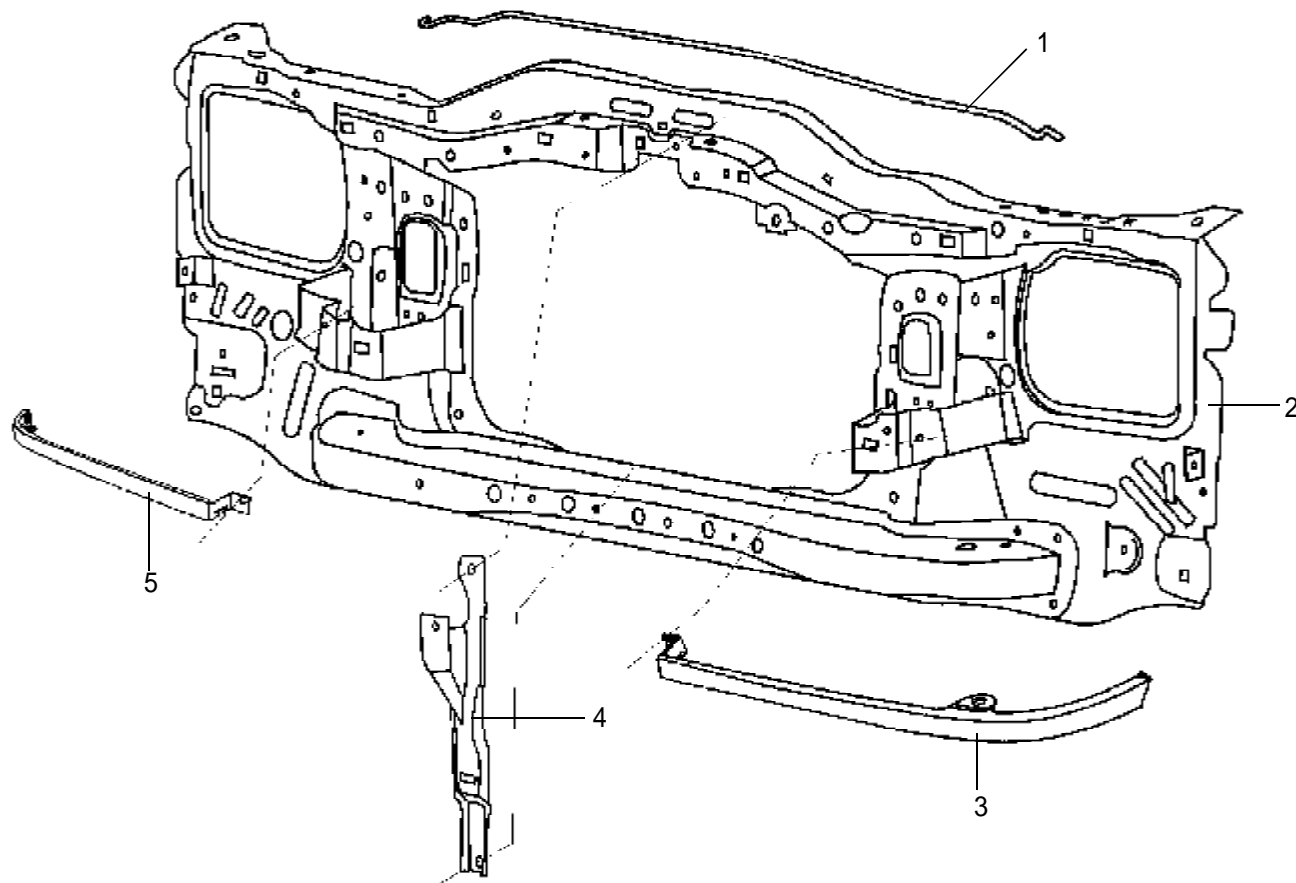
294

散热器支架总成（二） RADIATOR BRACKET ASSEMBLY(2)

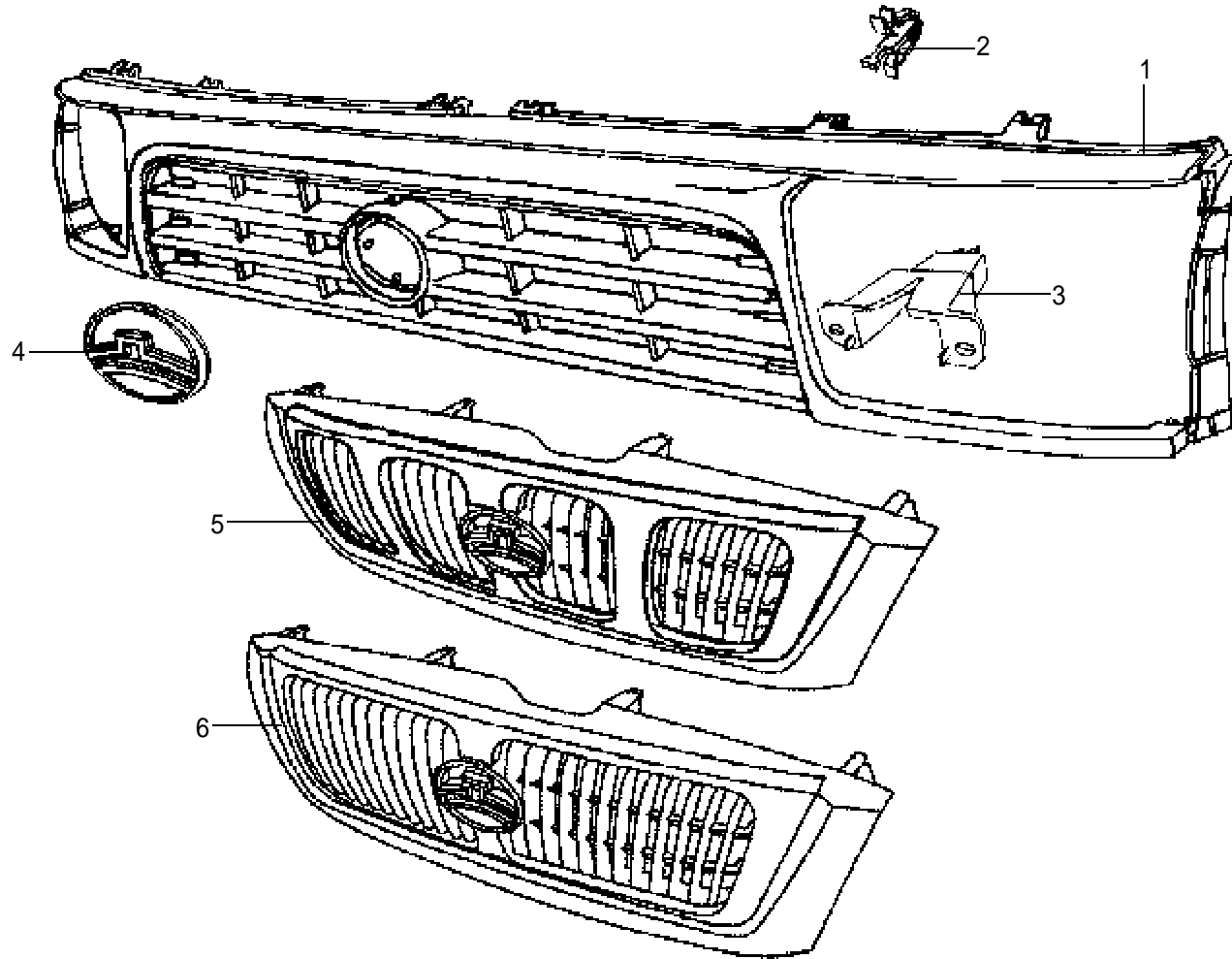
序号 S/N	零部件代号 PART CODE	零部件名称 PART NAME	用量 QTY	适用车型 VEHICLE APPLICABLE TO	备注 REMARK
	8400700-D01	散热器支架总成 BRACKET ASSEMBLY,RADIATOR GRILL	1	F00 F01	
1	8400021-D01	发动机罩撑杆 ENGINE HOOD STRUT ROD (MODEL 2003)	1		2003 款
2	8400022-D01	发动机罩撑杆胶套 STRUT BAR BUSHING,ENGINE HOOD	1	F00 F01 F02 F03 F04 F05	
3	8403033-D01	螺旋缓冲块 DAMPING BLOCK,ENGINE HOOD	2	F00 F01	
4	8403013-D01	左翼板小支架 SMALL BRACKET,FRONT FENDER,LH (MODEL 2003)	1		2003 款
5	8400017-F00	左照灯装饰条 GARNISH STRIP,HEADLAMP,LH (MODEL 2003)	1		2003 款
6	8402015-D01	发动机罩锁支架 LOCK BRACKET,ENGINE HOOD (MODEL 2003)	1		2003 款
7	8400018-F00	右前照灯装饰条 GARNISH STRIP,HEADLAMP,RH (MODEL 2003)	1		2003 款
8	8403014-D01	右翼板小支架 SMALL BRACKET,FRONT FENDER,RH (MODEL 2003)	1		2003 款
9	8400024-D01	发动机罩撑杆固定座 HOLDER,ENGINE HOOD STRUT ROD (SQUARE BUTTON 12)	1	F00 F01 F02 F03 F04 F05	方扣 12
10	8400710-D01	散热器支架上横梁 UPPER CROSSMEMBER ASSEMBLY,RADIATOR BRACKET	1	F00 F01	
11	8400770-D01	散热器支架下横梁总成 LOWER CROSSMEMBER ASSEMBLY,RADIATOR BRACKET	1		
12	8400701-D01	左散热器罩支架 BRACKET,RADIATOR GRILL,LH	1		
13	8400702-D01	右散热器罩支架 BRACKET,RADIATOR GRILL,RH	1		

散热器支架总成（三）RADIATOR BRACKET ASSEMBLY(3)

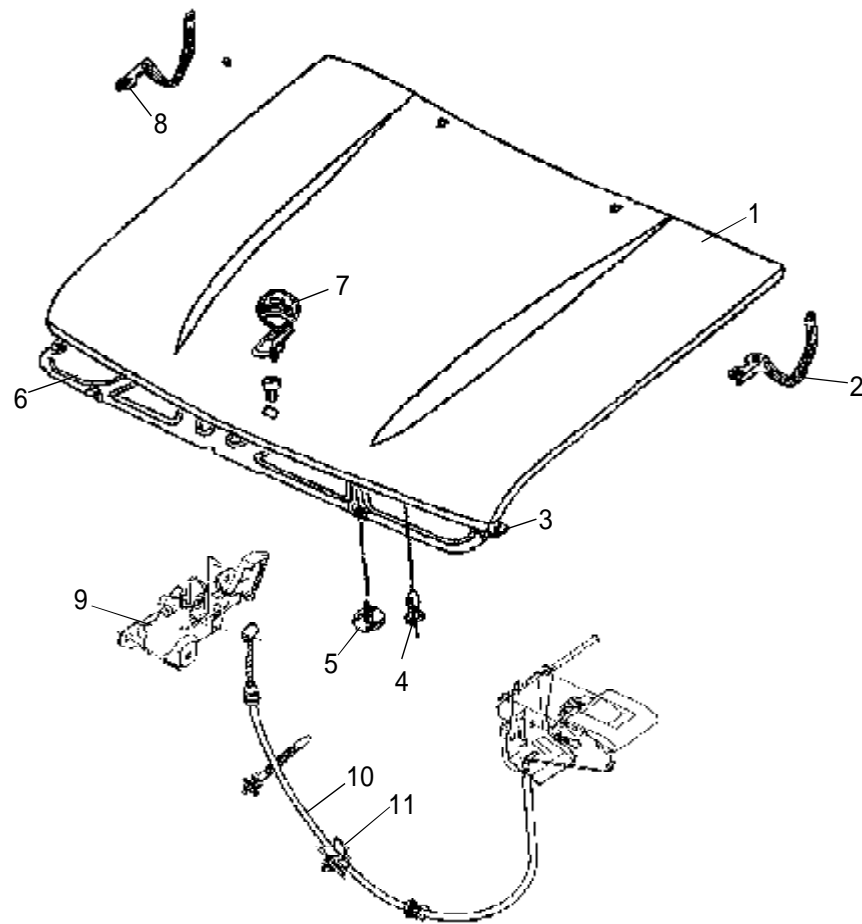
296



散热器罩 HEAT RADIATOR COWL



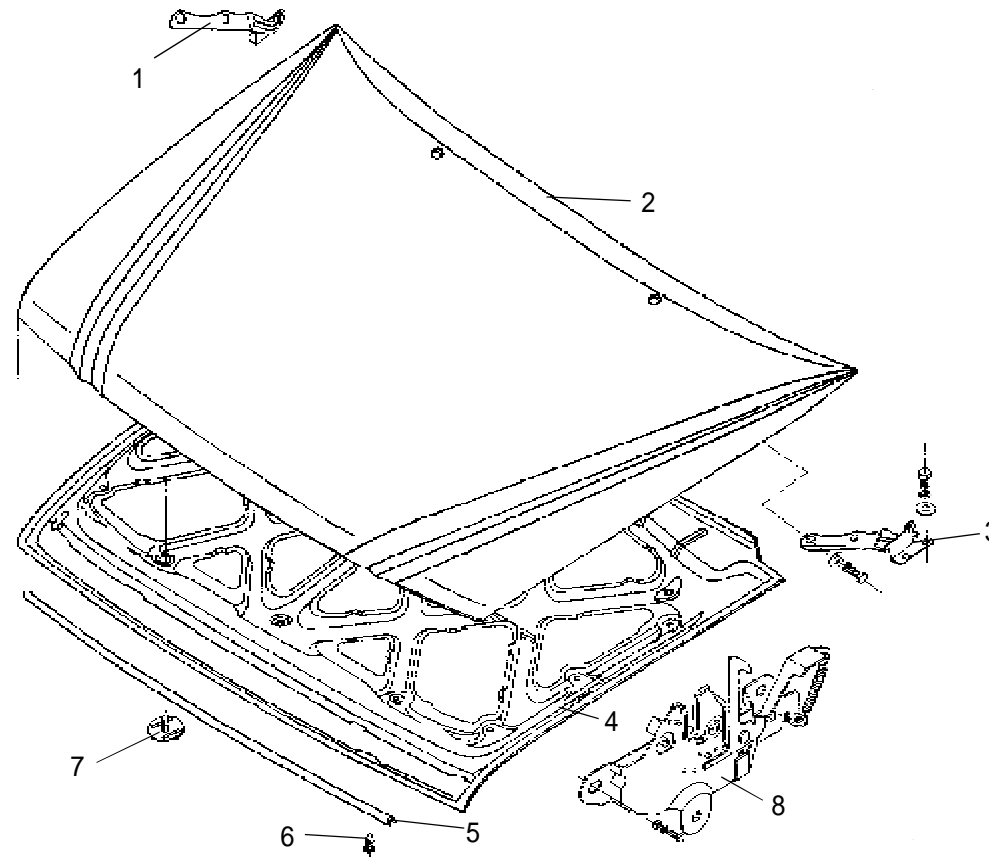
发动机罩总成（一） ENGINE HOOD ASSEMBLY (1)



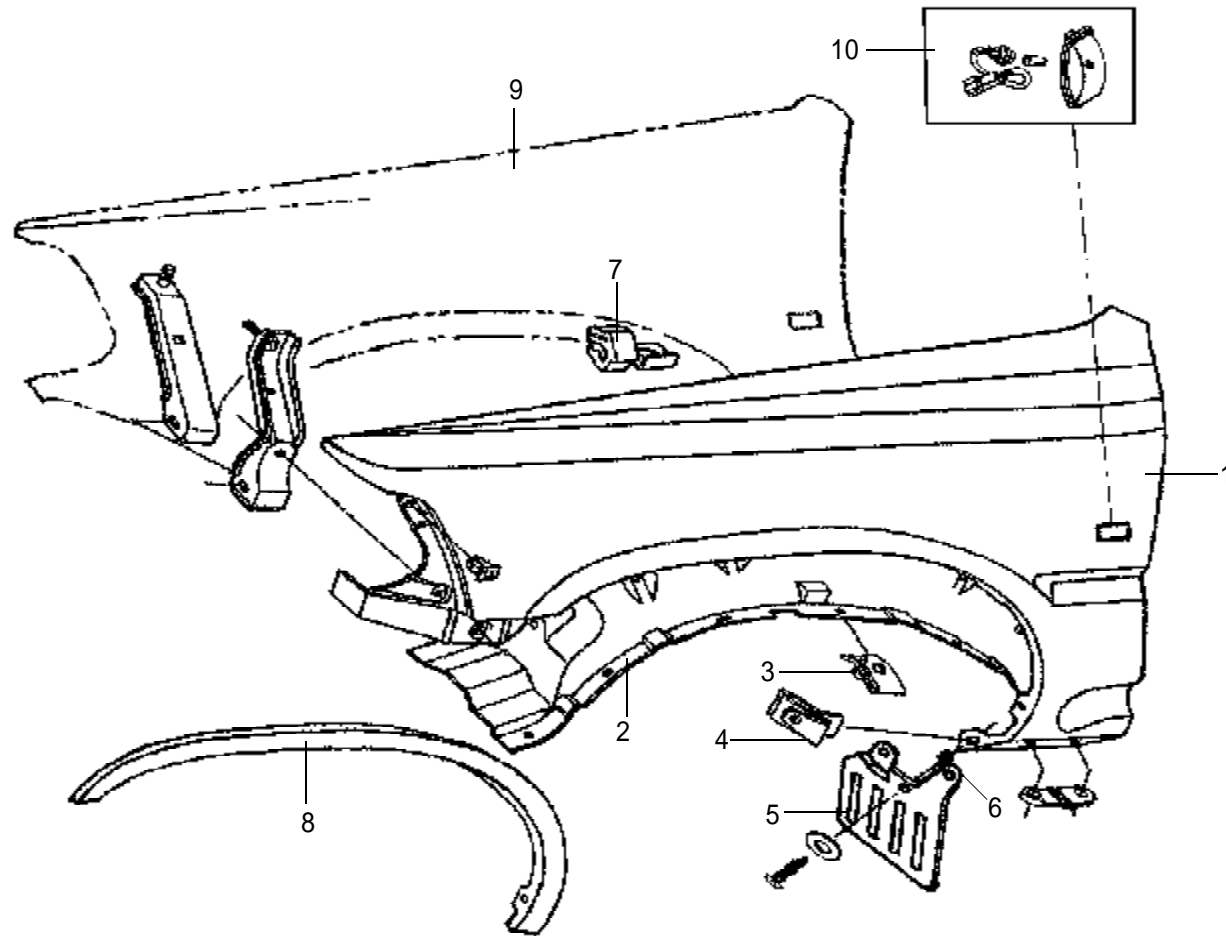
300

发动机罩总成（二） ENGINE HOOD ASSEMBLY (2)

302



翼子板总成（一） FENDER ASSEMBLY(1)

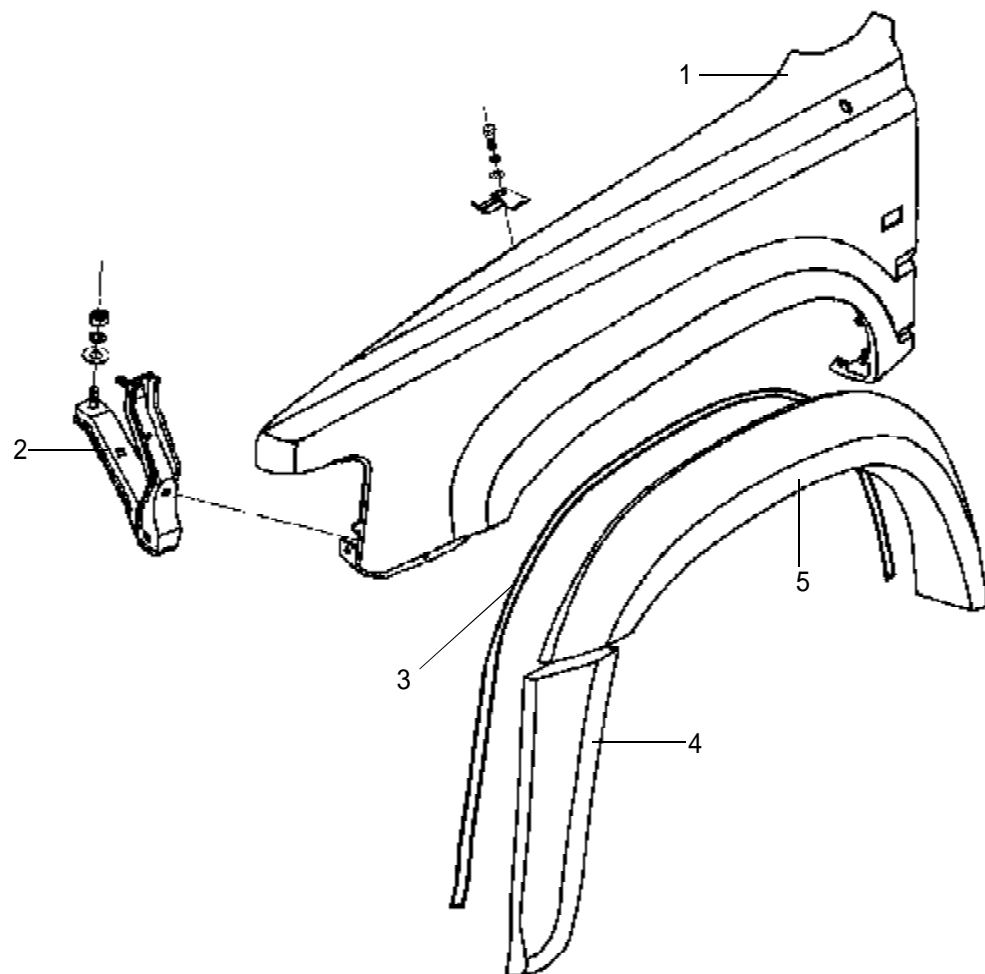


304

翼子板总成（一） FENDER ASSEMBLY(1)

序号 S/N	零部件代号 PART CODE	零部件名称 PART NAME	用量 QTY	适用车型 VEHICLE APPLICABLE TO	备注 REMARK	
1	8403011-D22-C1	左翼子板 FENDER, LH (WITH SIDE TURN SIGNAL LAMP HOLE)	1	F02 F03	有侧转向灯孔	
2	8403025-D01	左前轮防溅垫 FRONT WHEEL SPLASH GUARD,LH	1	F00 F01 F02 F03 F04 F05		
	8403026-D01	右前轮防溅垫 FRONT WHEEL SPLASH GUARD,RH	1			
3	8403035-D01	塑料单卡 PLASTIC CLIP (2 PIECES)	4			两片
4	8403034-D01	塑料双卡 PLASTIC CLIP (3 PIECES)	6			三片
5	8403027-D01	左前轮挡泥板 FRONT WHEEL MUDGUARD, LH	1			
	8403028-D01	右前轮挡泥板 FRONT WHEEL MUDGUARD, RH	1			
6	8403036-D01	方扣 17 CLIP NO. 17	2			
7	8403023-D01	发动机罩方型减震胶垫 DAMPING BLOCK,ENGINE HOOD	4			
8	5006011-D01	左前轮眉 WHEEL OPENING MOULDING,FRONT,LH (STAINLESS STEEL)	1		F02 F03	不锈钢
	5006011-F00	左前轮眉 WHEEL OPENING MOULDING,FRONT,LH (STAINLESS STEEL, WIDENED)			F00 F01	不锈钢加宽
	5006012-D01	右前轮眉 WHEEL OPENING MOULDING,FRONT,RH (STAINLESS STEEL)	1	F02 F03	不锈钢	
	5006012-F00	右前轮眉 WHEEL OPENING MOULDING,FRONT,RH (STAINLESS STEEL, WIDENED)		F00 F01	不锈钢加宽	
9	8403012-D22-C1	右翼子板 FENDER ,RH (WITH SIDE TURN SIGNAL LAMP HOLE)	1	F02 F03	有侧转向灯孔	
10	4117010-D01	侧转向灯总成 SIDE TURN SIGNAL LAMP ASSEMBLY (MODEL 2002, MADE IN HEJIAN, WITH PATTERN ON THE SURFACE)	2	F00 F02	2002款河间产表面有纹	
	4117010-D01-A1	侧转向灯总成 SIDE TURN SIGNAL LAMP ASSEMBLY (MODEL 2003, MADE IN TAIZHOU, NO PATTERN ON THE SURFACE)		F00	2003款台州产表面无纹	
	4117010-D01-A3	侧转向灯总成 SIDE TURN SIGNAL LAMP ASSEMBLY (MODEL 2004, MADE IN HEJIAN, WITH PATTERN ON THE SURFACE AND VENT)		F00 F01 F04 F05	2004款河间表面有纹带透气孔	

翼子板总成（二） FENDER ASSEMBLY(2)



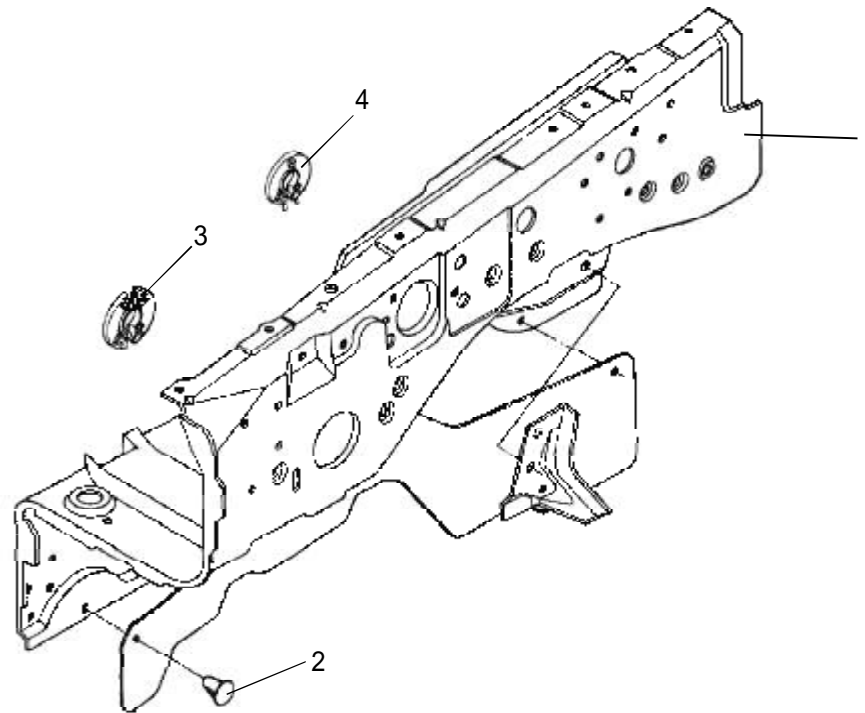
306

翼子板总成（二） FENDER ASSEMBLY(2)

序号 S/N	零部件代号 PART CODE	零部件名称 PART NAME	用量 QTY	适用车型 VEHICLE APPLICABLE TO	备注 REMARK	
1	8403011-D01	左翼子板 FENDER , LH (MODEL 2003)	1	F00 F01 F04 F05	2003 款	
	8403012-D01	右翼子板 FENDER , RH (MODEL 2003)	1		2003 款	
2	8403021-D01	左减震垫支架 BRACKET,CUSHION BLOCK,LH (MODEL 2003)	1		2003 款	
	8403022-D01	右减震垫支架 BRACKET,CUSHION BLOCK,RH (MODEL 2003)	1		2003 款	
3	5006021-F00	前轮眉胶条 FRONT WHEEL OPENING MOULDING STRIP	4			
4	5006015-F00	左前轮眉包角 FRONT WHEEL MOULDING END COVER,LH	1			
	5006016-F00	右前轮眉包角 FRONT WHEEL MOULDING END COVER,RH	1			
5	5006011-F00-B1	左前轮眉 WHEEL OPENING MOULDING,FRONT,LH	1			
	5006012-F00-B1	右前轮眉 WHEEL OPENING MOULDING,FRONT,RH	1			
6	8403017-D01	左翼子板支架 BRACKET, FENDER,LH	1			
	8403018-D01	右翼子板支架 BRACKET, FENDER,RH	1			

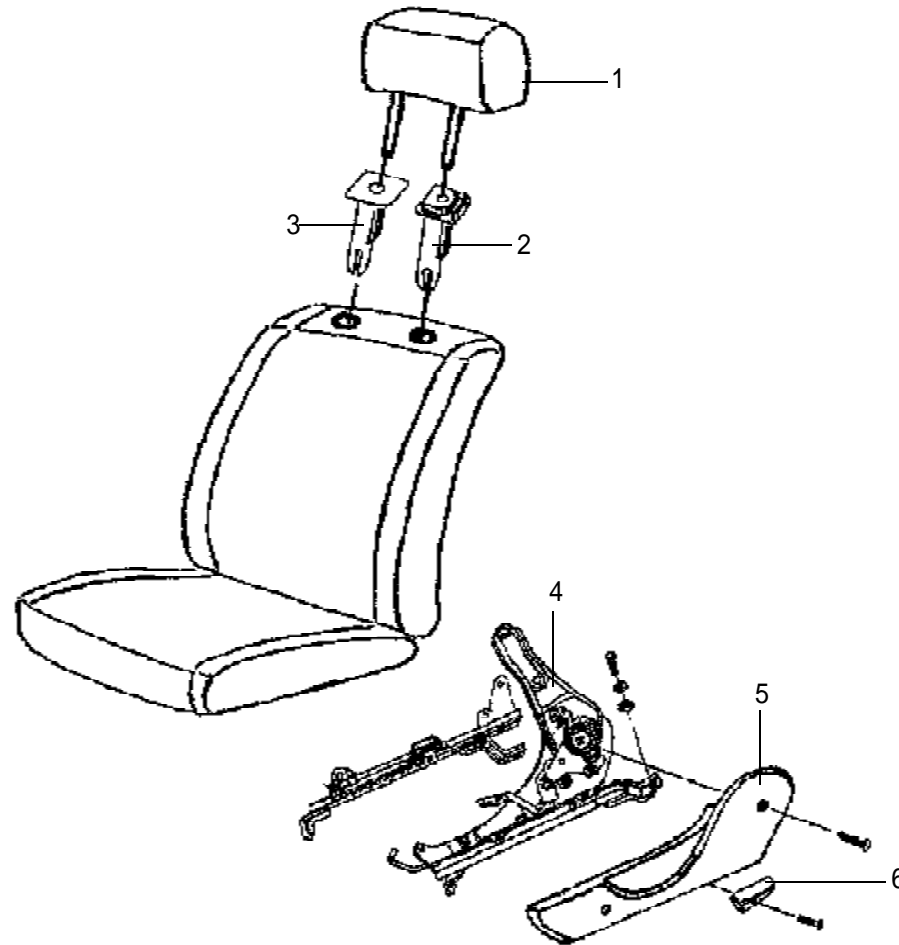
挡泥板总成 MUDGUARD ASSEMBLY

308



前排座椅总成 FRONT ROW SEATS ASSEMBLY

310



前排座椅总成 FRONG ROW SEATS ASSEMBLY

序号 S/N	零部件代号 PART CODE	零部件名称 PART NAME	用量 QTY	适用车型 VEHICLE APPLICABLE TO	备注 REMARK	
	6800010-F00-0315	司机座椅总成 DRIVER SEAT ASSEMBLY (FABRIC,MODEL 2004, PALE BROWN)	1	F00 F01	布质 2004 款棕黄色	
	6800010-F00-0314	司机座椅总成 DRIVER SEAT ASSEMBLY (FABRIC ,MODEL 2004, LIGHT COFFEE)			布质 2004 款浅咖啡色	
	6800010-F00-E1-0314	司机座椅总成 DRIVER SEAT ASSEMBLY (FABRIC,MODEL 2003, LIGHT COFFEE)			布质 2003 款浅咖啡色	
	6800010-F00-B1-0315	司机座椅总成 DRIVER SEAT ASSEMBLY (LEATHER,MODEL 2004, PALE BROWN)			皮质 2004 款棕黄色	
	6800010-F00-B1-0314	司机座椅总成 DRIVER SEAT ASSEMBLY (LEATHER,MODEL 2004, LIGHT COFFEE)			皮质 2004 款浅咖啡色	
	6800010-F00-E1-0315	司机座椅总成 DRIVER SEAT ASSEMBLY (FABRIC,PALE BROWN)		F00 F01 F04 F05	布质, 棕黄色	
	6800010-F00-F1-0315	司机座椅总成 DRIVER SEAT ASSEMBLY (LEATHER,PALE BROWN)			皮质, 棕黄色	
	6800010-F00-H1-0315	司机座椅总成 DRIVER SEAT ASSEMBLY (FABRIC,PALE BROWN)			布质, 棕黄色	
	6800010-F00-J1-0315	司机座椅总成 DRIVER SEAT ASSEMBLY (LEATHER,PALE BROWN)			皮质, 棕黄色	
	6800010-F00-C1-0315	司机座椅总成 DRIVER SEAT ASSEMBLY (FABRIC,PALE BROWN,ELECTRIC HEATING)			布质, 棕黄色, 电加热	
	6800010-F00-D1-0315	司机座椅总成 DRIVER SEAT ASSEMBLY (LEATHER,PALE BROWN,ELECTRIC HEATING)			皮质, 棕黄色, 电加热	
	6800010-F00-K1-0315	司机座椅总成 DRIVER SEAT ASSEMBLY (FABRIC,PALE BROWN,ELECTRIC HEATING)			布质, 棕黄色, 电加热	
	6800010-F00-L1-0315	司机座椅总成 DRIVER SEAT ASSEMBLY (LEATHER,PALE BROWN,ELECTRIC HEATING)			皮质, 棕黄色, 电加热	
	6900010-F00-0315	副司机座椅总成 ASSISTANT DRIVER SEAT ASSEMBLY (FABRIC, MODEL 2004, PALE BROWN)			F00 F01	布质 2004 款棕黄色
	6900010-F00-0314	副司机座椅总成 ASSISTANT DRIVER SEAT ASSEMBLY (FABRIC ,MODEL 2004, LIGHT COFFEE)				布质 2004 款浅咖啡色

前排座椅总成 FRONG ROW SEATS ASSEMBLY

序号 S/N	零部件代号 PART CODE	零部件名称 PART NAME	用量 QTY	适用车型 VEHICLE APPLICABLE TO	备注 REMARK	
	6900010-F00-E1-0314	副司机座椅总成 ASSISTANT DRIVER SEAT ASSEMBLY (FABRIC ,MODEL 2003, LIGHT COFFEE)	1	F00 F01	布质 2003 款浅咖啡色	
	6900010-F00-B1-0315	副司机座椅总成 ASSISTANT DRIVER SEAT ASSEMBLY (LEATHER ,MODEL 2004, LIGHT COFFEE)			皮质 2004 款浅咖啡色	
	6900010-F00-B1-0314	副司机座椅总成 ASSISTANT DRIVER SEAT ASSEMBLY (LEATHER, MODEL 2004 ,PALE BROWN)			皮质 2004 款棕黄色	
	6900010-F00-E1-0315	副司机座椅总成 ASSISTANT DRIVER SEAT ASSEMBLY (FABRIC, PALE BROWN)		F00 F01 F04 F05	布质, 棕黄色	
	6900010-F00-F1-0315	副司机座椅总成 ASSISTANT DRIVER SEAT ASSEMBLY (LEATHER, PALE BROWN)			皮质, 棕黄色	
	6900010-F00-H1-0315	副司机座椅总成 ASSISTANT DRIVER SEAT ASSEMBLY (FABRIC, PALE BROWN)			布质, 棕黄色	
	6900010-F00-J1-0315	副司机座椅总成 ASSISTANT DRIVER SEAT ASSEMBLY (LEATHER, PALE BROWN)			皮质, 棕黄色	
	6900010-F00-C1-0315	副司机座椅总成 ASSISTANT DRIVER SEAT ASSEMBLY (FABRIC,PALE BROWN,ELECTRIC HEATING)			布质, 棕黄色,电加热	
	6900010-F00-D1-0315	副司机座椅总成 ASSISTANT DRIVER SEAT ASSEMBLY (LEATHER,PALE BROWN,ELECTRIC HEATING)			皮质, 棕黄色,电加热	
	6900010-F00-K1-0315	副司机座椅总成 ASSISTANT DRIVER SEAT ASSEMBLY (FABRIC,PALE BROWN,ELECTRIC HEATING)			布质, 棕黄色,电加热	
	6900010-F00-L1-0315	副司机座椅总成 ASSISTANT DRIVER SEAT ASSEMBLY (LEATHER,PALE BROWN,ELECTRIC HEATING)			皮质, 棕黄色,电加热	
1	6808100-F00-0315	座椅头枕总成 SEAT HEAD REST ASSEMBLY (FABRIC AND PALE BROWN)	2		F00 F01 F04 F05	布质棕黄色
	6808100-F00-B1-0315	座椅头枕总成 SEAT HEAD REST ASSEMBLY (LEATHER AND PALE BROWN)				皮质棕黄色
	6808100-F00-B1-0314	座椅头枕总成 SEAT HEAD REST ASSEMBLY (LEATHER AND LIGHT COFFEE)		皮质浅咖啡色		
	6808100-D62-0314	座椅头枕总成 SEAT HEAD REST ASSEMBLY (FABRIC AND LIGHT COFFEE)		布质浅咖啡色		

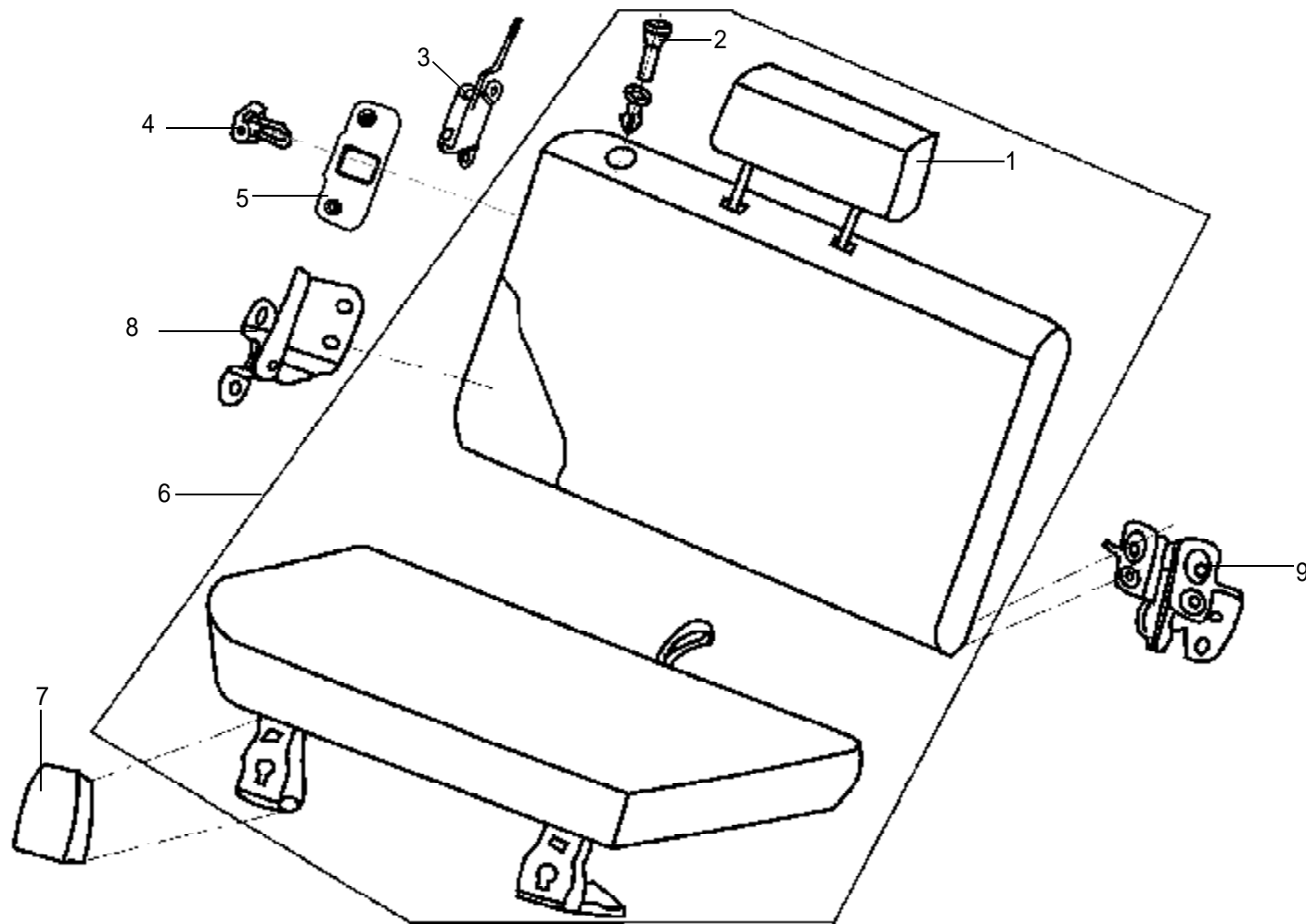
312

前排座椅总成 FRONG ROW SEATS ASSEMBLY

序号 S/N	零部件代号 PART CODE	零部件名称 PART NAME	用量 QTY	适用车型 VEHICLE APPLICABLE TO	备注 REMARK
2	6808102-F00-0315	可调枕芯插头座 ADJUSTABLE HEAD RESTRAINT SUPPORT (PALE BROWN)	2	F00 F01 F04 F05	棕黄色
3	6808101-F00-0315	枕芯插头座 HEAD RESTRAINT SUPPORT (PALE BROWN)	2		棕黄色
4	6804011-F00	司机座椅调角器 TILT ADJUSTER,DRIVER SEAT (WITH SLIDE)	1	F00 F01	带滑道
	6804011-F02	司机座椅调角器 TILT ADJUSTER,DRIVER SEAT (WITH SLIDE)		F02 F03	
	6904011-F00	副司机座椅调角器 TILT ADJUSTER,ASSISTANT DRIVER SEAT		F00 F01	带滑道
	6904011-F02	副司机座椅调角器 TILT ADJUSTER,ASSISTANT DRIVER SEAT		F02 F03	
5	6804015-F00-0315	左司机座椅调角器外壳 TRIM COVER,TILT ADJUSTER,DRIVER SEAT,LH (PALE BROWN)	1	F00 F01 F04 F05	棕黄色
	6804016-F00-0315	右司机座椅调角器外壳 TRIM COVER,TILT ADJUSTER,DRIVER SEAT,RH (PALE BROWN)			棕黄色
	6904015-F00-0315	左副司机座椅调角器外壳 FRONT SEAT TILT ADJUSTER GARNISH COVER, LH (PALE BROWN)			棕黄色
	6904016-F00-0315	右副司机座椅调角器外壳 FRONT SEAT TILT ADJUSTER GARNISH COVER, RH (PALE BROWN)			棕黄色
6	6804014-F00-0315	调角器把手 TILT ADJUSTER HANDLE (PALE BROWN)	2		棕黄色
	6904014-F00-0315	调角器把手 TILT ADJUSTER HANDLE (PALE BROWN)			棕黄色



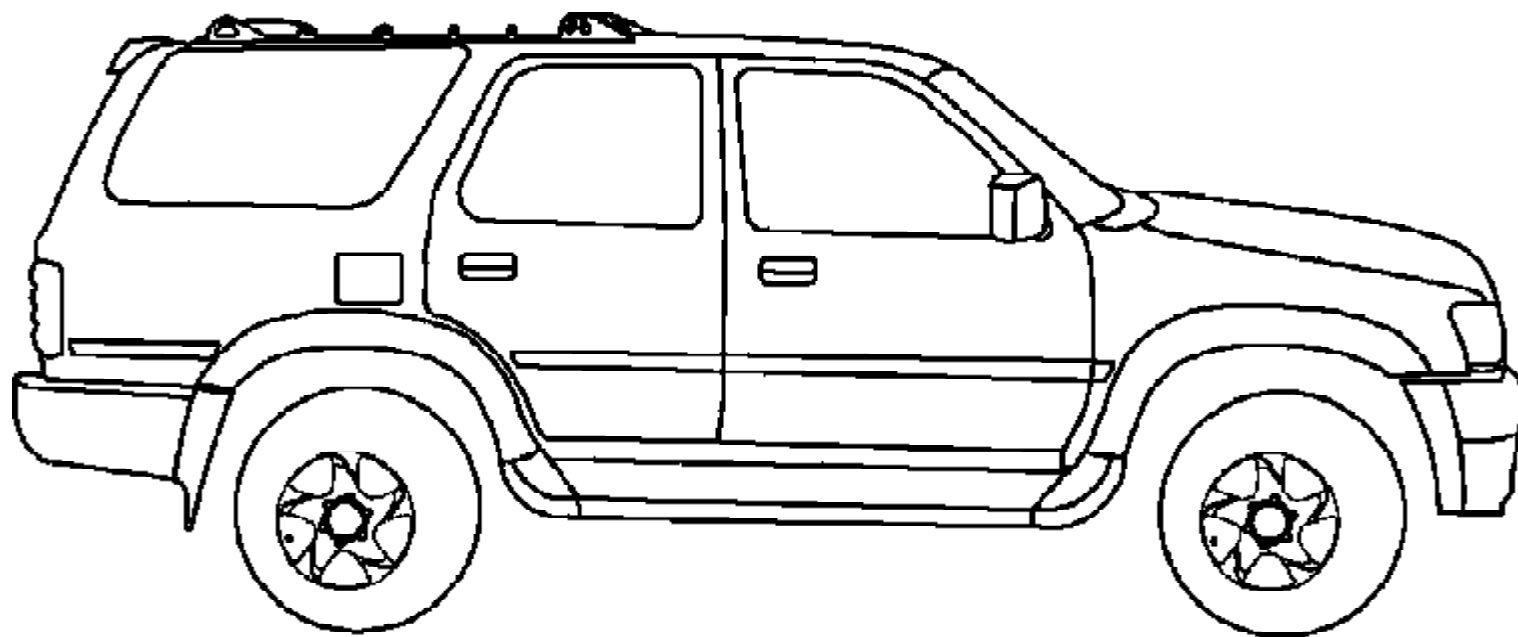
后排座椅总成 REAR ROW SEATS ASSEMBLY



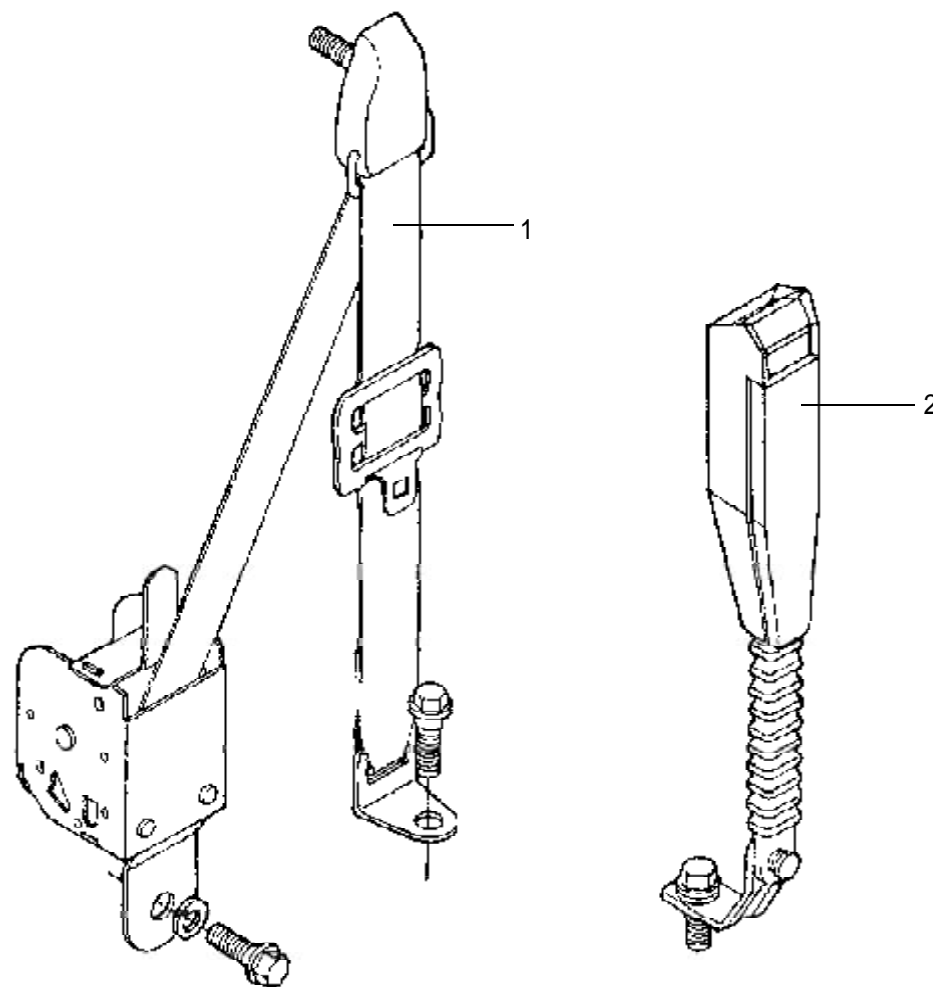
314

后排座椅总成 REAR ROW SEATS ASSEMBLY

序号 S/N	零部件代号 PART CODE	零部件名称 PART NAME	用量 QTY	适用车型 VEHICLE APPLICABLE TO	备注 REMARK
1	6808100-F00-0315	座椅头枕总成 HEAD REST ASSEMBLY (FABRIC,PALE BROWN)	2	F00 F01	布质棕黄色
	6808100-F00-B1-0315	座椅头枕总成 HEAD REST ASSEMBLY (LEATHER,PALE BROWN)		F00 F01 F04 F05	皮质棕黄色
	6808100-F00-B1-0314	座椅头枕总成 HEAD REST ASSEMBLY (LEATHER,LIGHT COFFEE)		F00 F01	皮质浅咖啡色
	6808100-D01-0314	座椅头枕总成 HEAD REST ASSEMBLY (FABRIC,LIGHT COFFEE)			布质浅咖啡色
2	7055101-F00-0315	后排座椅锁提钮 REAR LOCK CONTROL KNOB (MODEL 2004, PALE BROWN)	2	F00 F01 F04 F05	2004 款棕黄色
	7055101-F00-0314	后排座椅锁提钮 REAR LOCK CONTROL KNOB (MODEL 2003, LIGHT COFFEE)		F00 F01	2003 款浅咖啡色
3	7050100-F00	左后排座椅锁总成 REAR SEAT LOCK ASSEMBLY,LH (WITH ACCESSORIES)	1	F00 F01 F02 F03 F04 F05	含附件
	7050200-F00	右后排座椅锁总成 REAR SEAT LOCK ASSEMBLY,RH (WITH ACCESSORIES)			含附件
4	7057012-F00	后排座椅中间靠背锁环 REAR SEAT DRAWHOOK	2		
5	7055102-F00-0315	后排座椅锁盖 COVER,REAR SEAT LOCK (PALE BROWN)	2		棕黄色
6	7050011-F00-0315	左后排座椅 REAR SEAT,LH (FABRIC,MODEL 2004, PALE BROWN)	1	F00 F01 F04 F05	布质 2004 款棕黄色
	7050011-F00-C1-0315	左后排座椅 REAR SEAT,LH (FABRIC,MODEL 2003,PALE BROWN)		F00 F01	布质 2003 款棕黄色
	7050011-F00-B1-0315	左后排座椅 REAR SEAT,LH (LEATHER,MODEL 2004,PALE BROWN)		F00 F01 F04 F05	皮质 2004 款棕黄色
	7050012-F00-0315	右后排座椅 REAR SEAT,RH (FABRIC,MODEL 2004,PALE BROWN)			布质 2004 款棕黄色
	7050012-F00-C1-0315	右后排座椅 REAR SEAT,RH (FABRIC,MODEL 2003,PALE BROWN)		F00 F01	布质 2003 款棕黄色
	7050012-F00-B1-0315	右后排座椅 REAR SEAT,RH (LEATHER,MODEL 2004, PALE BROWN)		F00 F01 F04 F05	皮质 2004 款棕黄色



前排安全带总成 FRONT ROW SEAT BELT ASSEMBLY



318

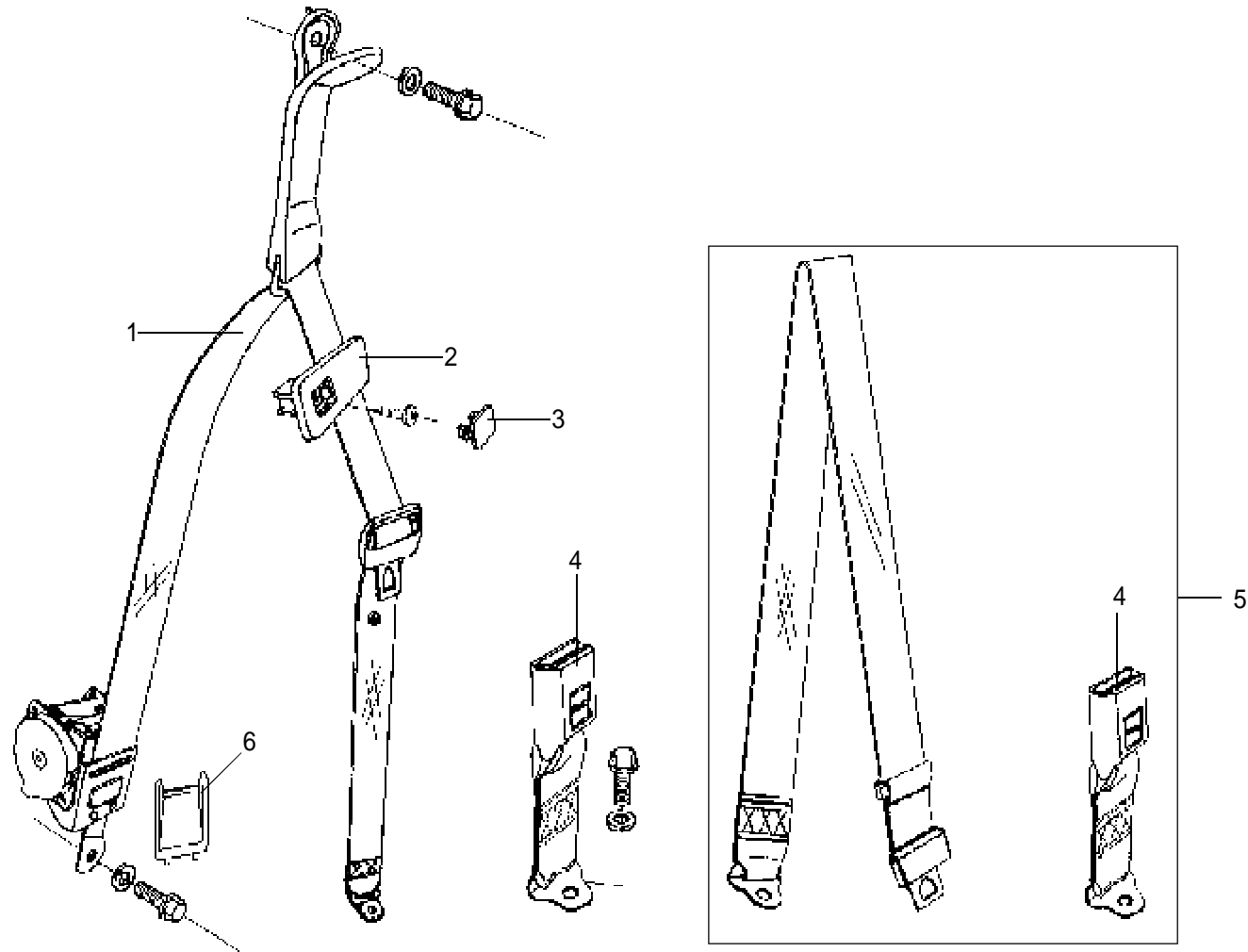
前排安全带总成 FRONT ROW SEAT BELT ASSEMBLY


序号 S/N	零部件代号 PART CODE	零部件名称 PART NAME	用量 QTY	适用车型 VEHICLE APPLICABLE TO	备注 REMARK
1	5811011-F00-0315	左前安全带 FRONT SEAT BELT ASSEMBLY ,LH (PALE BROWN)	1	F00 F01 F04 F05	棕黄色
	5811011-F00-0314	左前安全带 FRONT SEAT BELT ASSEMBLY ,LH (LIGHT COFFEE)		F00 F01	浅咖啡色
	5811012-F00-0315	右前安全带 FRONT SEAT BELT ASSEMBLY ,RH (PALE BROWN)	1	F00 F01 F04 F05	棕黄色
	5811012-F00-0314	右前安全带 FRONT SEAT BELT ASSEMBLY ,RH (LIGHT COFFEE)		F00 F01	浅咖啡色
2	5811080-F00-0315	安全带锁止器总成 BUCKLE ASSEMBLY,SAFETY BELT (PALE BROWN)	2	F00 F01	棕黄色
	5811080-F00-0314	安全带锁止器总成 BUCKLE ASSEMBLY,SAFETY BELT (LIGHT COFFEE)			浅咖啡色
	5811080-F00-B1-0315	安全带锁止器总成 BUCKLE ASSEMBLY,SAFETY BELT (PALE BROWN)		F00 F01 F04 F05	棕黄色



后排安全带总成 REAR ROW SEAT BELT ASSEMBLY

320

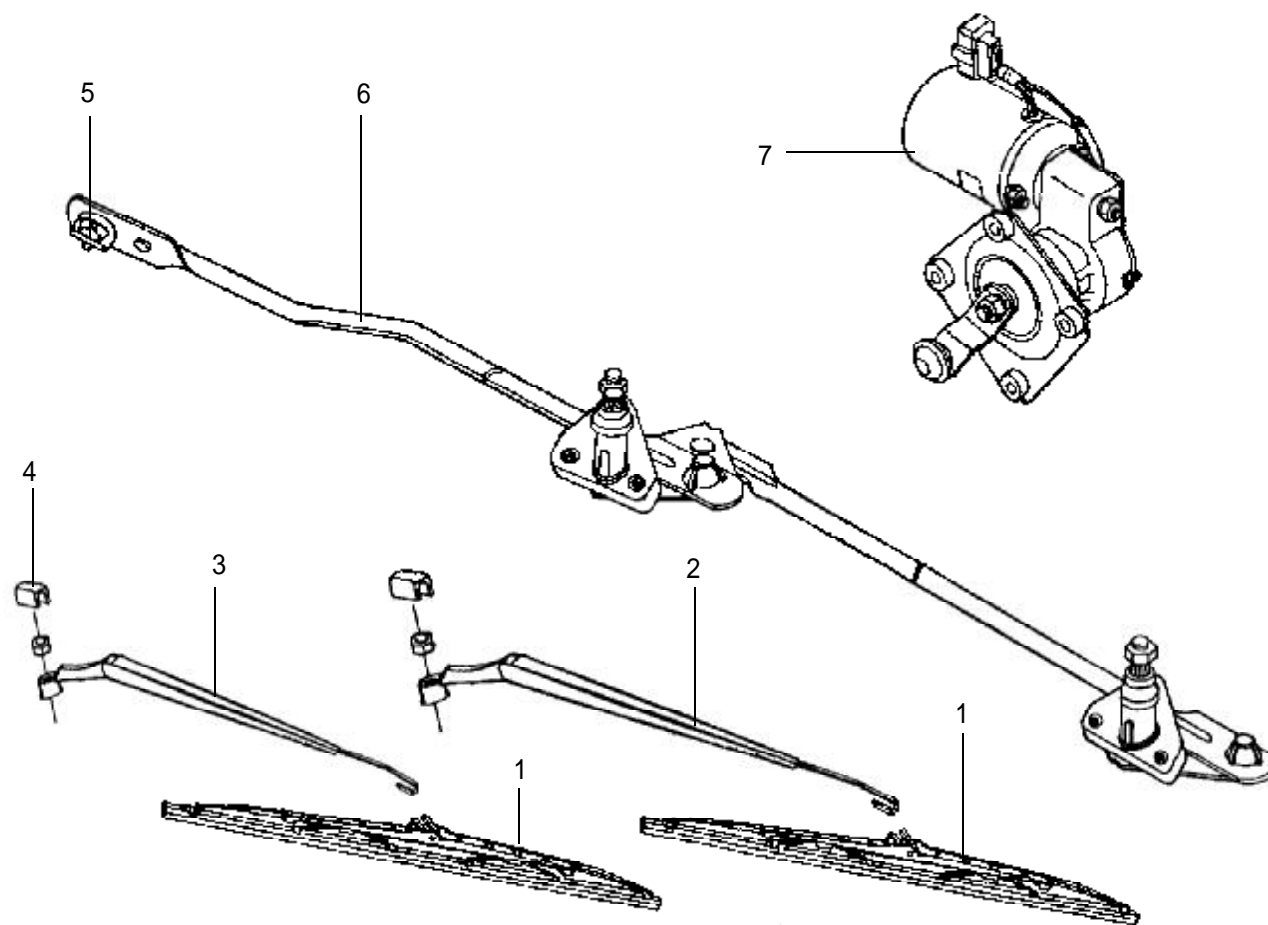


 每天进步一点点

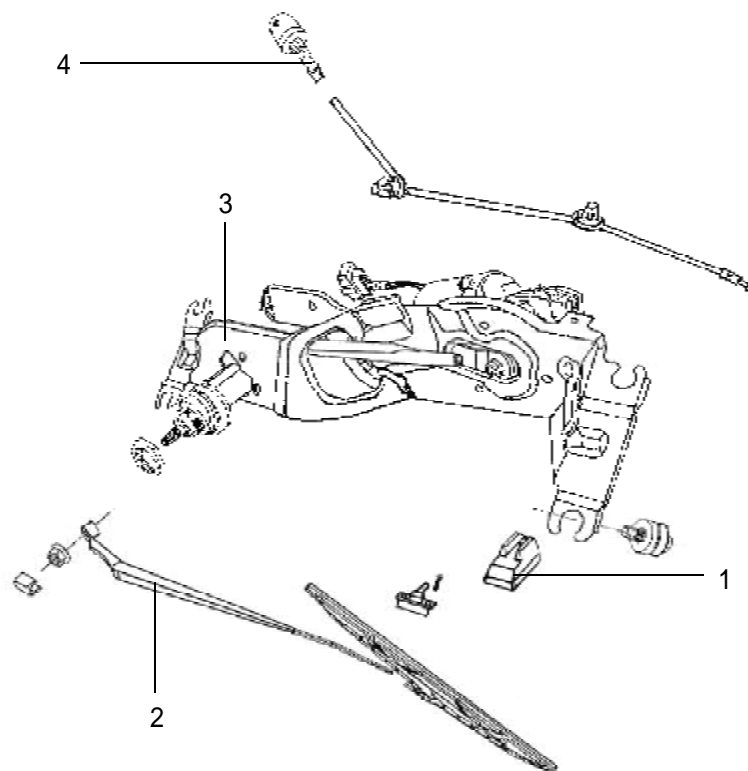
后排安全带总成 REAR ROW SEAT BELT ASSEMBLY

序号 S/N	零部件代号 PART CODE	零部件名称 PART NAME	用量 QTY	适用车型 VEHICLE APPLICABLE TO	备注 REMARK	
1	5811021-F00-0315	左后排安全带 REAR SAFETY BELT,LH (PALE BROWN)	1	F00 F01 F04 F05	棕黄色	
	5811022-F00-0315	右后排安全带 REAR SAFETY BELT,RH (PALE BROWN)			棕黄色	
2	5811073-F00-0315	左后排安全带挂钩 REAR SAFETY BELTHOOK,LH (PALE BROWN)	1	F00 F01 F04 F05	棕黄色	
	5811073-F00-0311	左后排安全带挂钩 REAR SAFETY BELTHOOK,LH (YELLOW)			F00 F01	黄色
	5811074-F00-0315	右后排安全带挂钩 REAR SAFETY BELTHOOK,RH (PALE BROWN)			F00 F01 F04 F05	棕黄色
	5811074-F00-0314	右后排安全带挂钩 REAR SAFETY BELTHOOK,RH (LIGHT COFFEE)			F00 F01	浅咖啡色
3	5811075-F00-0315	后排安全带挂钩螺钉盖 HOOK SCREW COVER,REAR ROW SAFETY BELT (PALE BROWN)	2	F00 F01 F04 F05	棕黄色	
	5811075-F00-0314	后排安全带挂钩螺钉盖 HOOK SCREW COVER,REAR ROW SAFETY BELT (LIGHT COFFEE)			F00 F01	浅咖啡色
4	5811061-F00-0315	后排安全带锁扣 LOCK BUCKLE,REAR ROW SAFETY BELT (PALE BROWN)	2	F00 F01 F04 F05	棕黄色	
5	5811062-F00-0315	两点式安全带及锁扣 LAP-BELT & LOCKING RING(PALE BROWN)	2		棕黄色	
6	5811071-F00-0315	左后排安全带盖 SEAT BELT TRIM COVER,REAR,LH(PALE BROWN)	1		棕黄色	
	5811072-F00-0315	右后排安全带盖 SEAT BELT TRIM COVER,REAR,RH(PALE BROWN)	1	棕黄色		

刮水器总成 WIPER ASSEMBLY

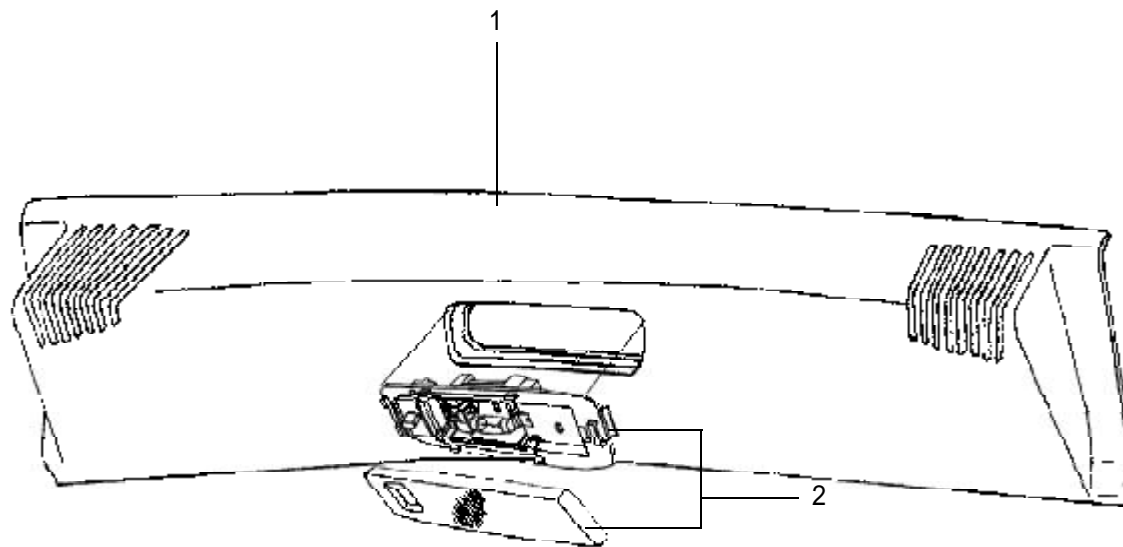


后刮水器总成 REAR WIPER ASSEMBLY



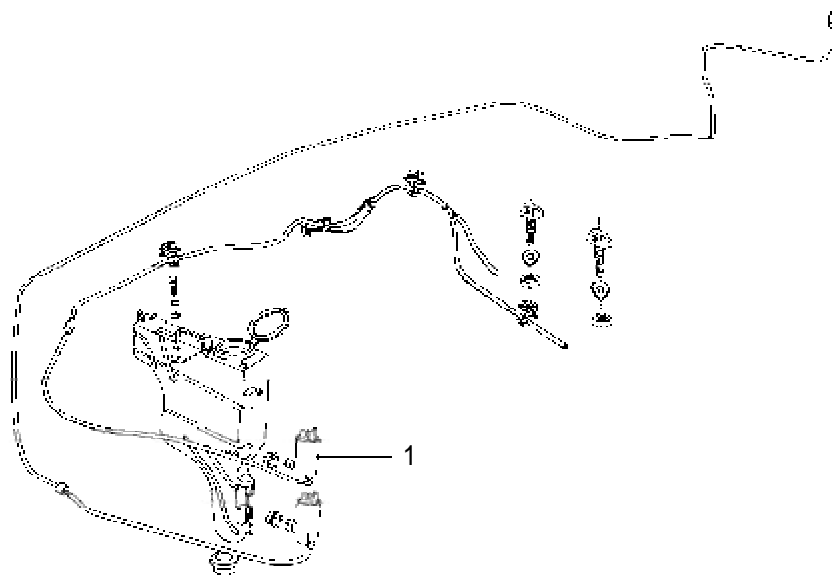
后围横梁装饰罩及顶灯

REAR ROOF MEMBER TRIM PANEL AND REAR CEILING LAMP

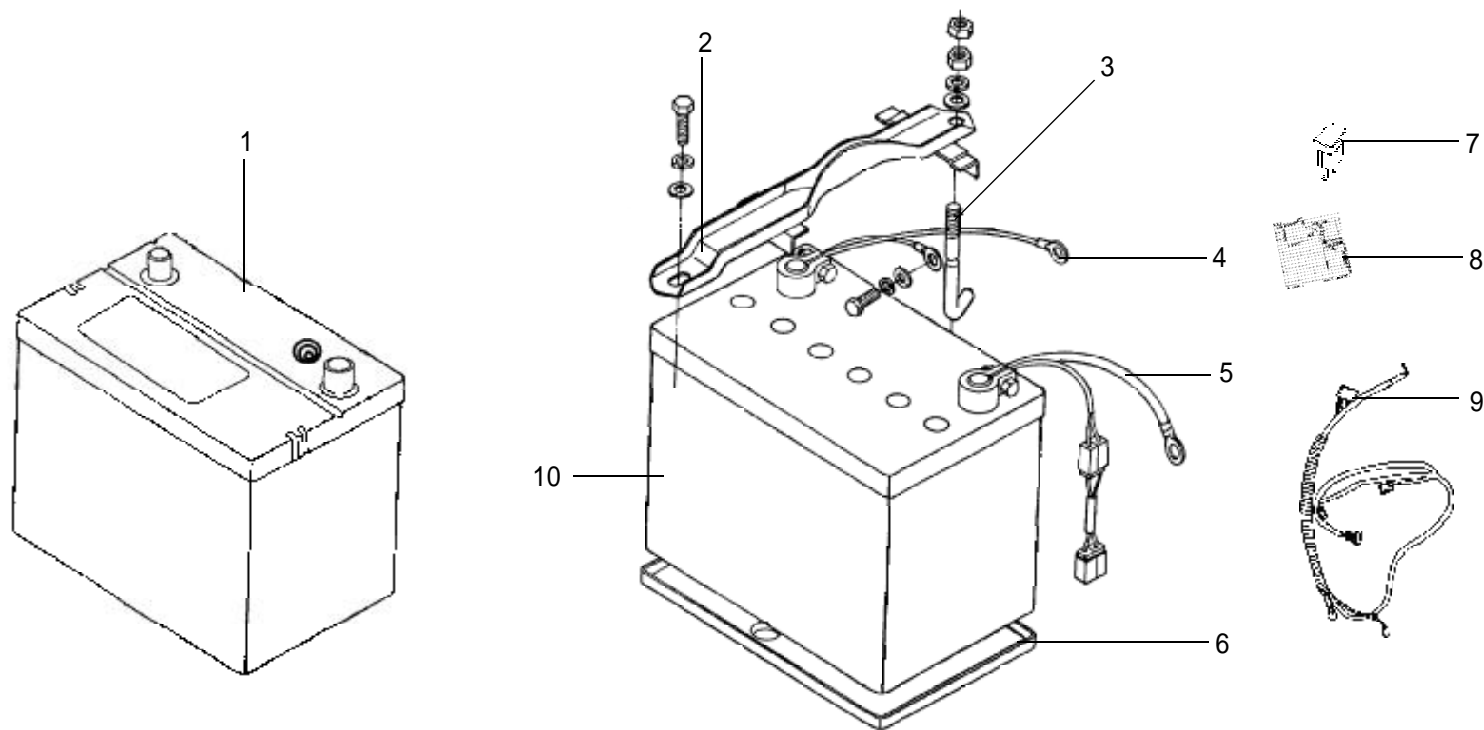


326

风窗洗涤器总成 WINDSHIELD WASHER ASSEMBLY



蓄电池总成 BATTERY ASSEMBLY

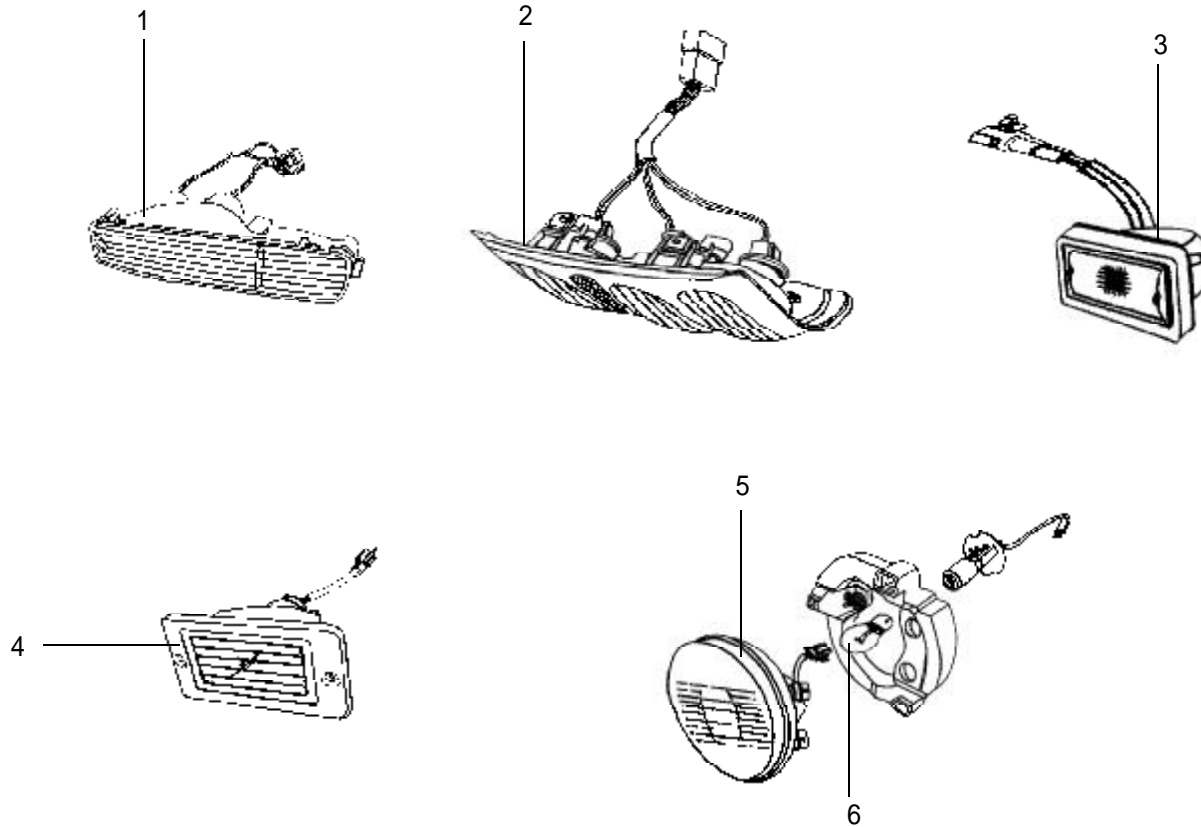


蓄电池总成 BATTERY ASSEMBLY

序号 S/N	零部件代号 PART CODE	零部件名称 PART NAME	用量 QTY	适用车型 VEHICLE APPLICABLE TO	备注 REMARK	
1	3703010-F00	蓄电池总成 BATTERY ASSMBLY (MAINTENANCE FREE)	1	F00 F01 F04 F05	免维护	
2	3703041-F00	蓄电池压板 BATTERY PLATE (MODEL 2004)	1	F00 F01	2004 款	
3	3703051-D01	蓄电池紧固螺栓 BOLT-MOUNTING BATTERY	1			
4	3703300-D01	蓄电池负极线总成 CATHODE WIRE ASSEMBLY,BATTERY	1			
5	3703200-D01	蓄电池正极线总成 BATTERY ANODE WIRE ASSEMBLY	1			
6	3703042-D01	蓄电池托板 BATTERY BRACKET	1			
7	3722404-F00	熔断器 FUSE	1			BT-100A
	3722403-F00	熔断器 FUSE	1		F00 F01	BT-70A
8	3722400-F00	蓄电池正极三路保险盒总成 ANODE THREE-WAY FUSE BLOCK ASSEMBLY,BATTERY (WITH FUSE)	1	F00 F01 F04 F05	含保险	
	3722400-F01	蓄电池正极五路保险总成 ANODE FIVE-WAY FUSE BLOCK ASSEMBLY,BATTERY (WITH FUSE)			含保险	
9	4002200-D07-B1	蓄电池正极线束总成 BATTERY ANODE WIRING HARNESS ASSEMBLY (KOREA TRANSMISSION 4WD)	1	F00 F01	韩国变速器四驱	
10	37030100-D01	蓄电池总成 BATTERY ASSMBLY	1	F02 F03		

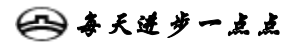


灯具（一） LAMP (1)

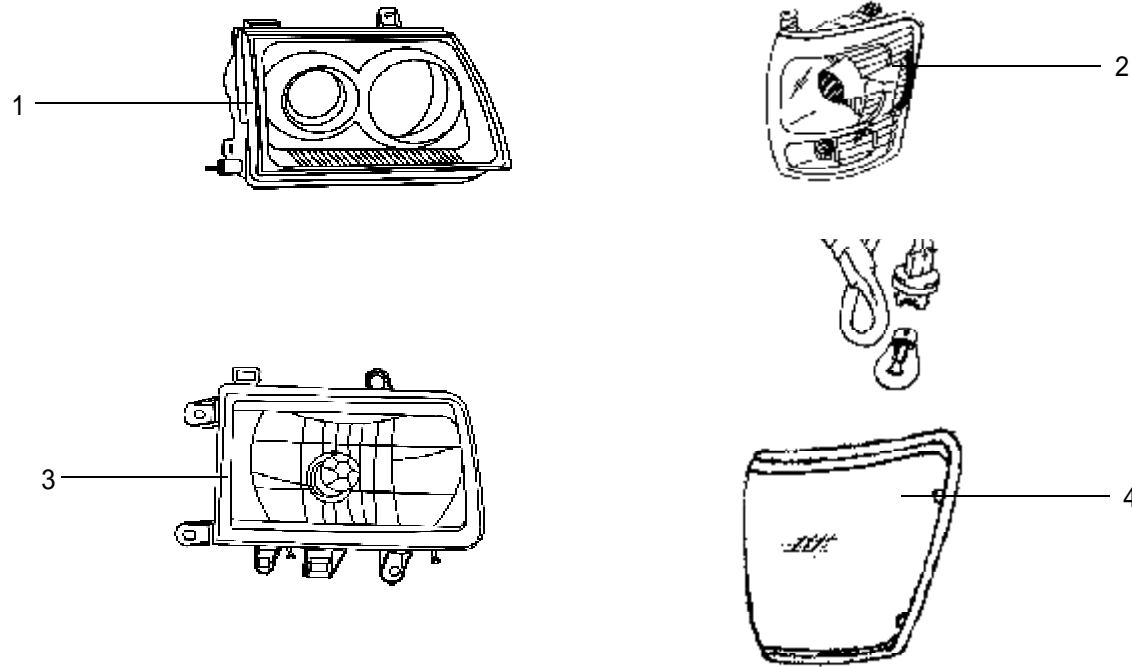


灯具（一） LAMP (1)

序号 S/N	零部件代号 PART CODE	零部件名称 PART NAME	用量 QTY	适用车型 VEHICLE APPLICABLE TO	备注 REMARK
1	4111010-F02	左杠灯总成 FRONT BUMPER LAMP ASSEMBLY,LH	1	F02 F03	
	4111020-F02	右杠灯总成 FRONT BUMPER LAMP ASSEMBLY,RH	1		
2	4133010-F00	左组合后灯总成 COMBINED TAIL LAMP ASSEMBLY,LH	1	F00 F01 F02 F03 F04 F05	
	4133020-F00	右组合后灯总成 COMBINED TAIL LAMP ASSEMBLY,RH	1		
3	4113010-F02	倒车灯总成 BACK-UP LAMP ASSEMBLY,LH	1	F00 F01 F02 F03	左
	4113020-F02	倒车灯总成 BACK-UP LAMP ASSEMBLY,RH	1		右
4	4113010-F00-B1	倒车灯总成 BACK-UP LAMP ASSEMBLY (MODEL 2003,MADE IN JIANGSU, MOUNTED ON REAR BUMPER)	1	F00 F01	2003 款江苏产装在后杠上
	4113010-F00	倒车灯总成 BACK-UP LAMP ASSEMBLY (MODEL 2004,MADE IN TAIZHOU, MOUNTED ON REAR BUMPER)		F00 F01 F04 F05	2004 款台州产装在后杠上
5	4116010-F00	前雾灯总成 FRONT FOG LAMP (MODEL 2003, LEFT)	1		2003 款左
	4116020-F00	前雾灯总成 FRONT FOG LAMP (MODEL 2003, RIGHT)	1		2003 款右
6	4116011-F00	飞利浦灯泡 12336 PHILIPS LAMP 12336 (MODEL 2003,FRONT FROG LAMP)	1		2003 款前雾灯



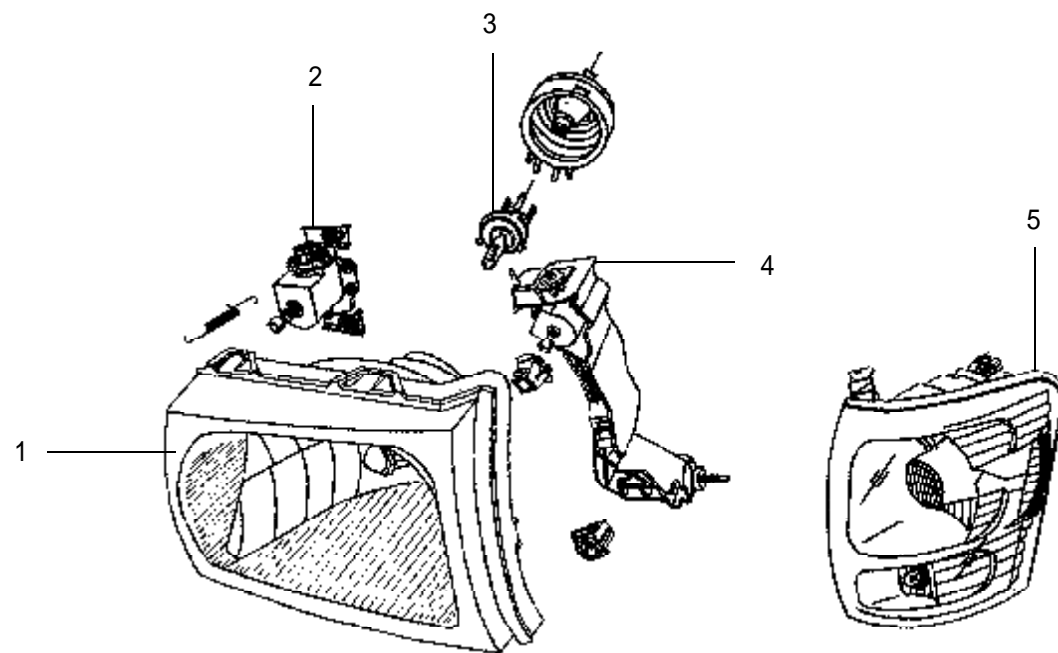
灯具（二） LAMP (2)



灯具（二） LAMP (2)

序号 S/N	零部件代号 PART CODE	零部件名称 PART NAME	用量 QTY	适用车型 VEHICLE APPLICABLE TO	备注 REMARK	
1	4101200-F00	右前照灯总成 HEADLAMP ASSEMBLY,RH (MODEL 2004)	1	F00 F01 F04 F05	2004 款	
	4101100-F00	左前照灯总成 HEADLAMP ASSEMBLY,LH (MODEL 2004)	1		2004 款	
2	4102200-F00	右前小灯总成 FRONT COMBINATION LAMP ASSEMBLY,RH (MODEL 2004)	1		2004 款	
	4102100-F00	左前小灯总成 FRONT COMBINATION LAMP COVER,LH (MODEL 2004)	1		2004 款	
3	4101200-F02	右前照灯总成 HEADLAMP ASSEMBLY,RH (MODEL 2002)	1		F02 F03	2002 款
	4101100-F02	左前照灯总成 HEADLAMP ASSEMBLY,LH (MODEL 2002)	1			2002 款
4	4102200-D22-B1-0901	右前小灯总成 FRONT COMBINATION LAMP ASSEMBLY,RH (WHITE)	1	白色		
	4102100-D22-B1-0901	左前小灯总成 FRONT COMBINATION LAMP ASSEMBLY,LH (WHITE)	1	白色		

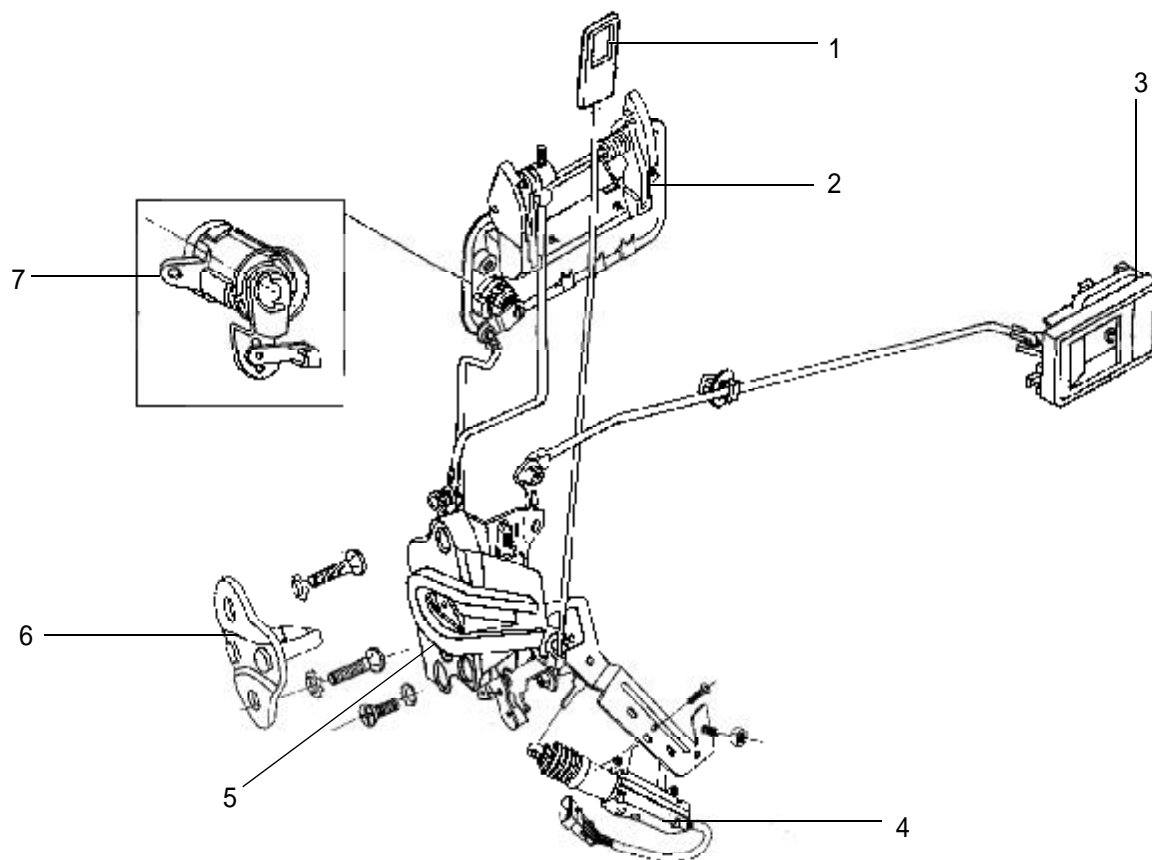
灯具 (三) LAMP (3)



灯具（三） LAMP(3)

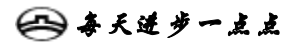
序号 S/N	零部件代号 PART CODE	零部件名称 PART NAME	用量 QTY	适用车型 VEHICLE APPLICABLE TO	备注 REMARK	
1	4101100-D01	左前照灯总成 HEADLAMP ASSEMBLY,LH (MODEL 2003)	1	F00 F01	2003 款	
	4101200-D01	右前照灯总成 HEADLAMP ASSEMBLY,RH (MODEL 2003)	1		2003 款	
2	4101110-D01	左前照灯小调整器总成 SMALL ADJUSTER ASSEMBLY,LEFT HEADLAMP	1			
	4101120-D01	右前照灯小调整器总成 SMALL ADJUSTER ASSEMBLY,RIGHT HEADLAMP	1			
3	4101101-D01	前照灯灯泡 HEADLAMP BULB	2			
4	4101130-D01	左前照灯大调整器总成 BIG ADJUSTER ASSEMBLY,LEFT HEADLAMP	1			
	4101140-D01	右前照灯大调整器总成 BIG ADJUSTER ASSEMBLY,RIGHT HEADLAMP	1			
5	4102100-D01	左前小灯总成 FRONT COMBINATION LAMP ASSEMBLY,LH (MODEL 2003)	1			2003 款
	4102200-D01	右前小灯总成 FRONT COMBINATION LAMP ASSEMBLY,RH (MODEL 2003)				2003 款

前侧面车门锁总成 FRONT DOOR LOCK ASSEMBLY



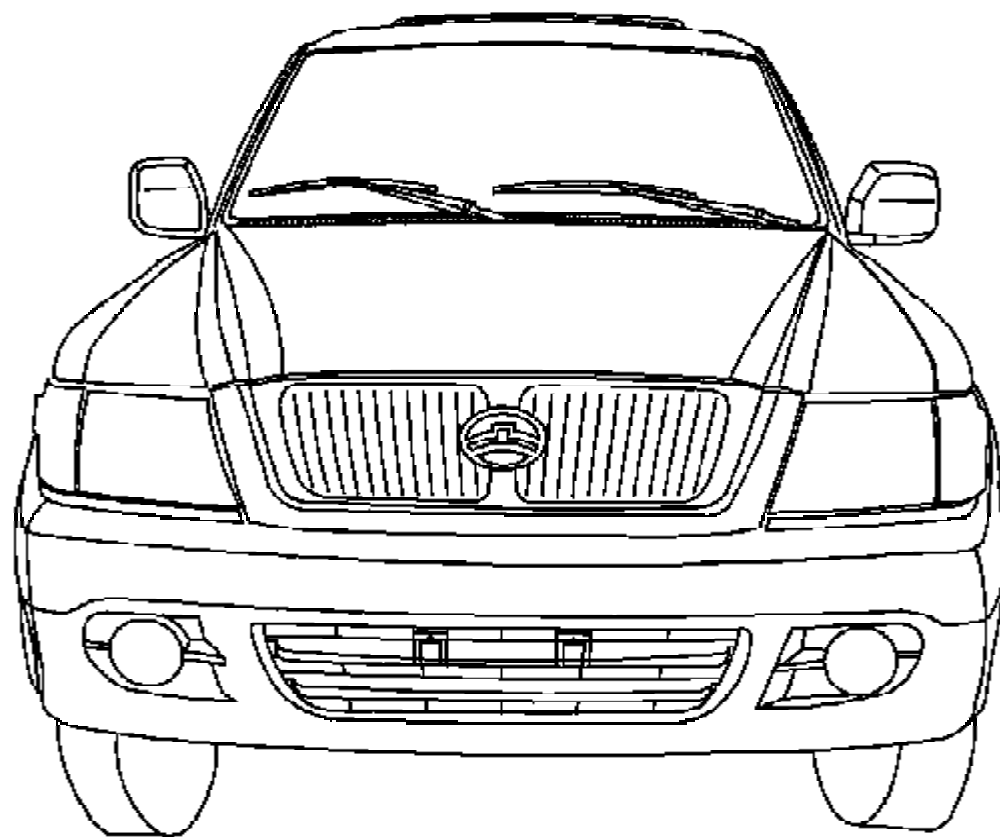
前侧面车门锁总成 FRONT DOOR LOCK ASSEMBLY

序号 S/N	零部件代号 PART CODE	零部件名称 PART NAME	用量 QTY	适用车型 VEHICLE APPLICABLE TO	备注 REMARK
1	6105115-F00-0803	锁提钮 DOOR LOCK CONTROL KNOB (MODEL 2004, BLACK)	1	F00 F01 F04 F05	2004 款,黑色
	6105115-D01-0314	锁提钮 DOOR LOCK CONTROL KNOB (LIGHT COFFEE)		F02 F03	浅咖啡色
2	6105111-D01	左前侧面车门锁外拉手 FRONT DOOR LOCK EXTERIOR HANDLE,LH (LIYONG,ELECTROPLATE)	1	F00 F01 F02 F03 F04 F05	利用,电镀
3	6105113-D07-0314	左侧面车门锁内扣手 DOOR LOCK INTERIOR HANDLE,LH (MODEL 2004 ,LIGHT COFFEE)	1	F00 F01	2004 款,浅咖啡色
	6105113-D07-0315	左侧面车门锁内扣手 DOOR LOCK INTERIOR HANDLE,LH (MODEL 2004,LIGHT BROWN)		F00 F01 F04 F05	2004 款,棕黄色
	6105113-D01-0314	左侧面车门锁内扣手 DOOR LOCK INTERIOR HANDLE,LH (LIGHT COFFEE)		F02 F03	浅咖啡色
	6105113-D22-0112	左侧面车门锁内扣手 DOOR LOCK INTERIOR HANDLE,LH (GLOSSY MAHOGANY PATTERN PURPLISH RED)		F00 F01	亚光枣红色桃木纹
4	3791010-F00	左前侧面车门闭锁器总成 FRONT DOOR LOCK LATCH & ACTUATOR,LH (SWING TYPE)	1	F00 F01 F02 F03 F04 F05	摆臂式
5	6105120-F02	左前侧面车门锁体总成 FRONT DOOR LOCK BODY ASSEMBLY,LH (WITHOUT DOOR LOCK LATCH AND ACTUATOR)	1	F02 F03	不带闭锁器
6	6105117-D01	侧面车门锁环 STRIKER	1	F00 F01 F02 F03 F04 F05	
7	3704020-D01	侧面车门锁芯总成 DOOR LOCK CYLINDER ASSEMBLY	1		

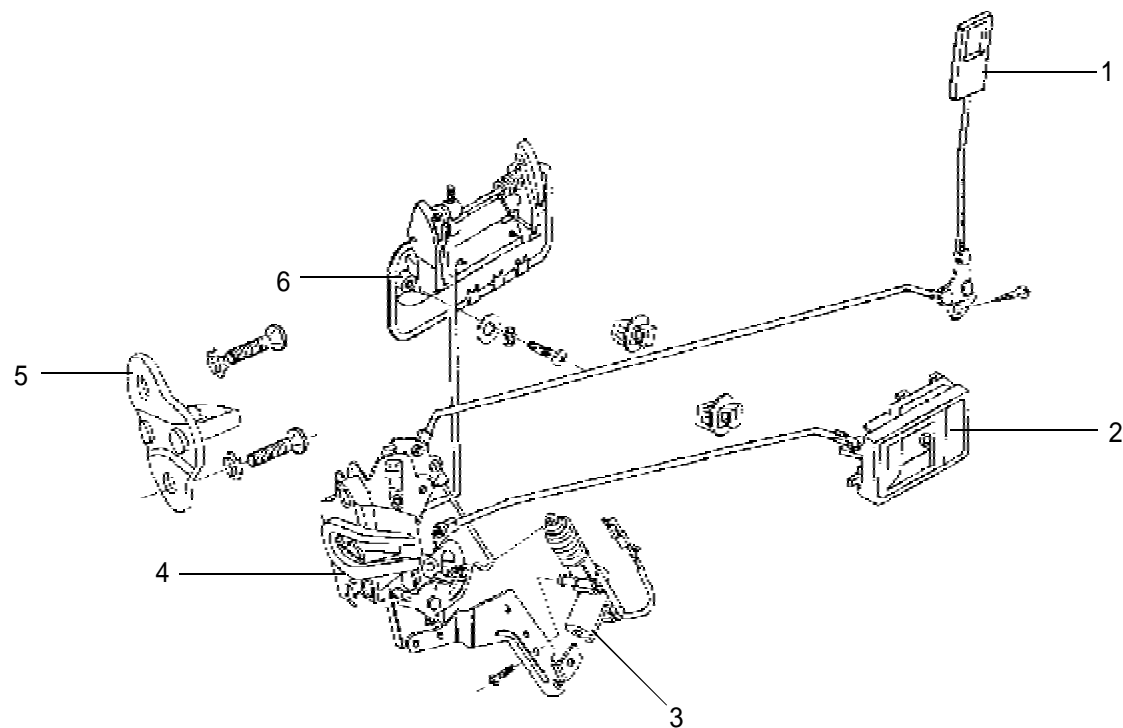


前侧面车门锁总成 FRONT DOOR LOCK ASSEMBLY

序号 S/N	零部件代号 PART CODE	零部件名称 PART NAME	用量 QTY	适用车型 VEHICLE APPLICABLE TO	备注 REMARK
1	6105115-F00-0803	锁提钮 DOOR LOCK CONTROL KNOB (MODEL 2004, BLACK)	1	F00 F01 F04 F05	2004 款,黑色
	6105115-D01-0314	锁提钮 DOOR LOCK CONTROL KNOB (LIGHT COFFEE)		F02 F03	浅咖啡色
2	6105112-D01	右前侧面车门锁外拉手 FRONT DOOR LOCK EXTERIOR HANDLE,RH (LIYONG ,ELECTROPLATE)	1	F00 F01 F02 F03 F04 F05	利用,电镀
3	6105114-D07-0314	右侧面车门锁内扣手 DOOR LOCK INTERIOR HANDLE,RH (MODEL 2004,LIGHT COFFEE)	1	F00 F01	2004 款,浅咖啡色
	6105114-D07-0315	右侧面车门锁内扣手 DOOR LOCK INTERIOR HANDLE,RH (MODEL 2004,PALE BROWN)		F00 F01 F04 F05	2004 款,棕黄色
	6105114-D01-0314	右侧面车门锁内扣手 DOOR LOCK INTERIOR HANDLE,RH (LIGHT COFFEE)		F02 F03	浅咖啡色
	6105114-D22-0112	右侧面车门锁内扣手 DOOR LOCK INTERIOR HANDLE,RH (GLOSSY MAHOGANY PATTERN PURPLISH RED)		F00 F01	亚光枣红色桃木纹
4	3791020-F00	右前侧面车门闭锁器总成 FRONT DOOR LOCK LATCH & ACTUATOR,RH (SWING TYPE)	1	F00 F01 F02 F03 F04 F05	摆臂式
5	6105130-F02	右前侧面车门锁体总成 FRONT DOOR LOCK BODY ASSEMBLY,RH (WITHOUT DOOR LOCK LATCH & ACTUATOR)	1	F02 F03	不带闭锁器
6	6105117-D01	侧面车门锁环 STRIKER	1	F00 F01 F02 F03 F04 F05	
7	3704020-D01	侧面车门锁芯总成 DOOR LOCK CYLINDER ASSEMBLY	1		



后侧面车门锁总成 REAR DOOR LOCK ASSEMBLY



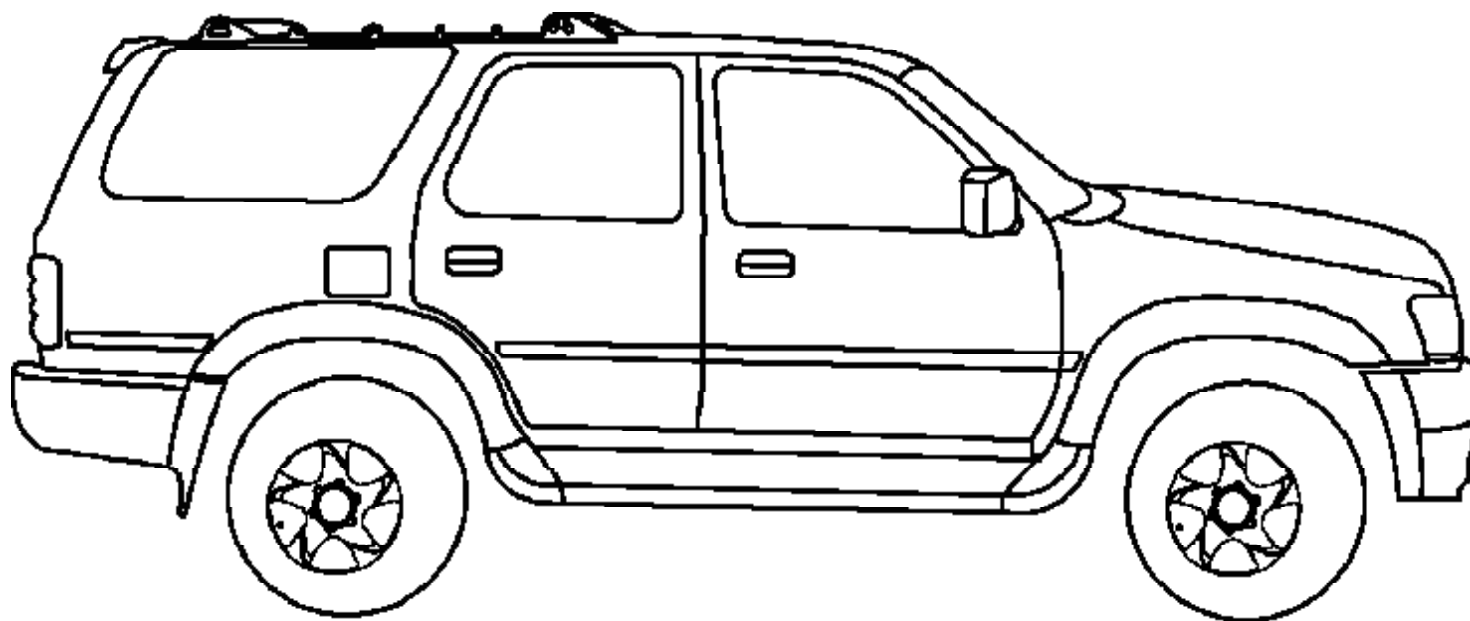
后侧面车门锁总成 REAR DOOR LOCK ASSEMBLY

序号 S/N	零部件代号 PART CODE	零部件名称 PART NAME	用量 QTY	适用车型 VEHICLE APPLICABLE TO	备注 REMARK
1	6105115-F00-0803	锁提钮 DOOR LOCK CONTROL KNOB (MODEL 2004, BLACK)	1	F00 F01 F04 F05	2004 款,黑色
	6105115-D01-0314	锁提钮 DOOR LOCK CONTROL KNOB (MODEL 2002,LIGHT COFFEE)		F02 F03	2002 款,浅咖啡色
2	6105113-F00-0314	左侧面车门锁内扣手 DOOR LOCK INTERIOR HANDLE,LH (MODEL 2004,LIGHT COFFEE)	1	F00 F01	2004 款,浅咖啡色
	6105113-F00-0315	左侧面车门锁内扣手 DOOR LOCK INTERIOR HANDLE,LH (MODEL 2004,PALE BROWN)		F00 F01 F04 F05	2004 款,棕黄色
	6105113-D01-0314	左侧面车门锁内扣手 DOOR LOCK INTERIOR HANDLE,LH (LIGHT COFFEE)		F00 F01	浅咖啡色
	6105113-D22-0112	左侧面车门锁内扣手 DOOR LOCK INTERIOR HANDLE,LH (GLOSSY MAHOGANY PATTERN PURPLISH RED)		F00 F01 F02 F03	亚光桃木纹枣红色
3	3791030-F00	左后侧面车门闭锁器总成 REAR DOOR LOCK LATCH & ACTUATOR,LH (SWING TYPE)	1	F00 F01 F02 F03 F04 F05	摆臂式
4	6205120-F02	左后侧面车门锁体总成 REAR DOOR LOCK BODY,LH (WITHOUT DOOR LOCK LATCH AND ACTUATOR)	1	F02 F03	不带闭锁器
5	6105117-D01	侧面车门锁环 STRIKER	1	F00 F01 F02 F03 F04 F05	
6	6205111-D01	左后侧面车门锁外拉手 REAR DOOR LOCK EXTERIOR HANDLE,LH	1		

后侧面车门锁总成 BACK SIDE DOOR LOCK ASSEMBLY

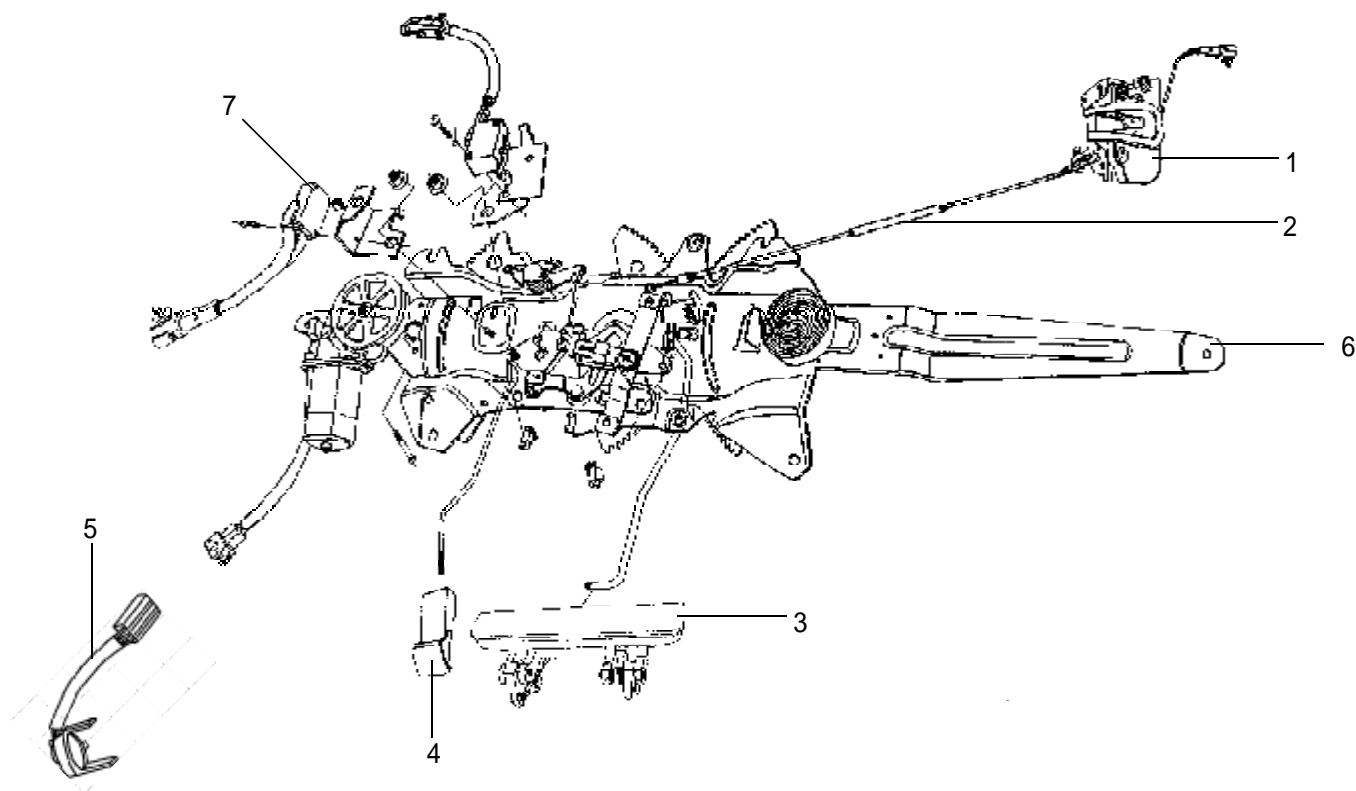
序号 S/N	零部件代号 PART CODE	零部件名称 PART NAME	用量 QTY	适用车型 VEHICLE APPLICABLE TO	备注 REMARK
1	6105115-F00-0803	锁提钮 DOOR LOCK CONTROL KNOB (MODEL 2004, BLACK)	1	F00 F01 F04 F05	2004 款,黑色
	6105115- D01-0314	锁提钮 DOOR LOCK CONTROL KNOB (MODEL 2002,LIGHT COFFEE)		F02 F03	2002 款, 浅咖啡色
2	6105114- F00-0315	右侧面车门锁内扣手 DOOR LOCK INTERIOR HANDLE,RH (MODEL 2004,LIGHT COFFEE)	1	F00 F01	2004 款,浅咖啡色
	6105114- D01-0315	右侧面车门锁内扣手 DOOR LOCK INTERIOR HANDLE,RH (MODEL 2004,PALE BROWN)		F00 F01 F04 F05	2004 款,棕黄色
	6105114- D01-0314	右侧面车门锁内扣手 DOOR LOCK INTERIOR HANDLE,RH (LIGHT COFFEE)		F00 F01	浅咖啡色
	6105114- D22-0112	右侧面车门锁内扣手 DOOR LOCK INTERIOR HANDLE,RH (GLOSSY MAHOGANY PATTERN PURPLISH RED)		F00 F01 F02 F03	亚光桃木纹枣红色
3	3791040-F00	右后侧面车门闭锁器总成 REAR DOOR LOCK LATCH & ACTUATOR,RH (SWING TYPE)	1	F00 F01 F02 F03 F04 F05	摆臂式
4	6205130-F02	右后侧面车门锁体总成 REAR DOOR LOCK BODY,RH (WITHOUT DOOR LOCK LATCH AND ACTUATOR)	1	F02 F03	不带闭锁器
5	6105117-D01	侧面车门锁环 STRIKER	1	F00 F01 F02 F03 F04 F05	
6	6205112-D01	右后侧面车门锁外拉手 REAR DOOR LOCK EXTERIOR HANDLE,RH	1		





后背门玻璃升降器及锁总成

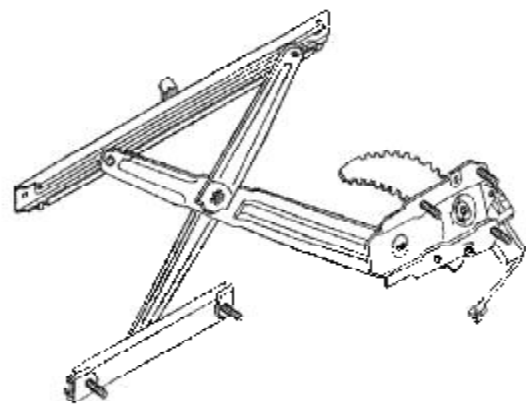
TAIL DOOR WINDOW REGULATOR AND LOCK ASSMBLY



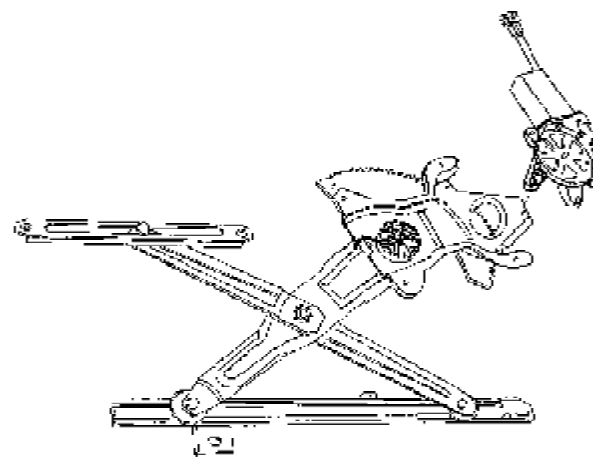
后背门玻璃升降器及锁总成 TAIL DOOR WINDOW REGULATOR AND LOCK ASSBMBLY

序号 S/N	零部件代号 PART CODE	零部件名称 PART NAME	用量 QTY	适用车型 VEHICLE APPLICABLE TO	备注 REMARK	
1	6305100-F00	后背门左锁体总成 LEFT TAIL DOOR LOCK BLOCK ASSEMBLY	1	F00 F01 F02 F03 F04 F05		
	6305200-F00	后背门右锁体总成 RIGHT TAIL DOOR LOCK BLOCK ASSEMBLY	1			
2	6305110-F00	后背门左锁体拉索总成 LOCK CABLE ASSEMBLY,TAIL DOOR,LH	1			
	6305210-F00	后背门右锁体拉索总成 LOCK CABLE ASSEMBLY,TAIL DOOR,RH	1			
3	6305102-F00-0315	后背门把手 LOCK HANDLE,TAIL DOOR (MODEL 2004,PALE BROWN)	1		F00 F01 F04 F05	2004 款,棕黄色
	6305102-F00-0314	后背门把手 LOCK HANDLE,TAIL DOOR (MODEL 2003,LIGHT COFFEE)			F00 F01 F03	2003 款,浅咖啡色
4	6305103-F00-0315	后背门锁提钮 LOCK CONTROL KNOB,TAIL DOOR (MODEL 2004,PALE BROWN)	1	F00 F01 F04 F05	2004 款,棕黄色	
	6305103-F00-0314	后背门锁提钮 LOCK CONTROL KNOB,TAIL DOOR (MODEL 2003,LIGHT COFFEE)		F00 F01 F03	2003 款,浅咖啡色	
5	6304021-F00	后背门玻璃升降器开关插头 SWITCH PLUG,LIFTER MOTOR,TAIL DOOR	1	F00 F01 F02 F03 F04 F05		
6	6304010-F00	后背门玻璃升降器总成 TAIL DOOR LIFTER MOTOR ASSEMBLY	1			
7	6304020-F00	后背门玻璃升降器行程开关 LXW16-10 TRAVEL SWITCH LXW16-10	1			
	6304030-F00	后背门玻璃升降器行程开关 LXW16-01 TRAVEL SWITCH LXW16-10	1			

电动玻璃升降器总成 POWER WINDOW REGULATOR ASSEMBLY



A



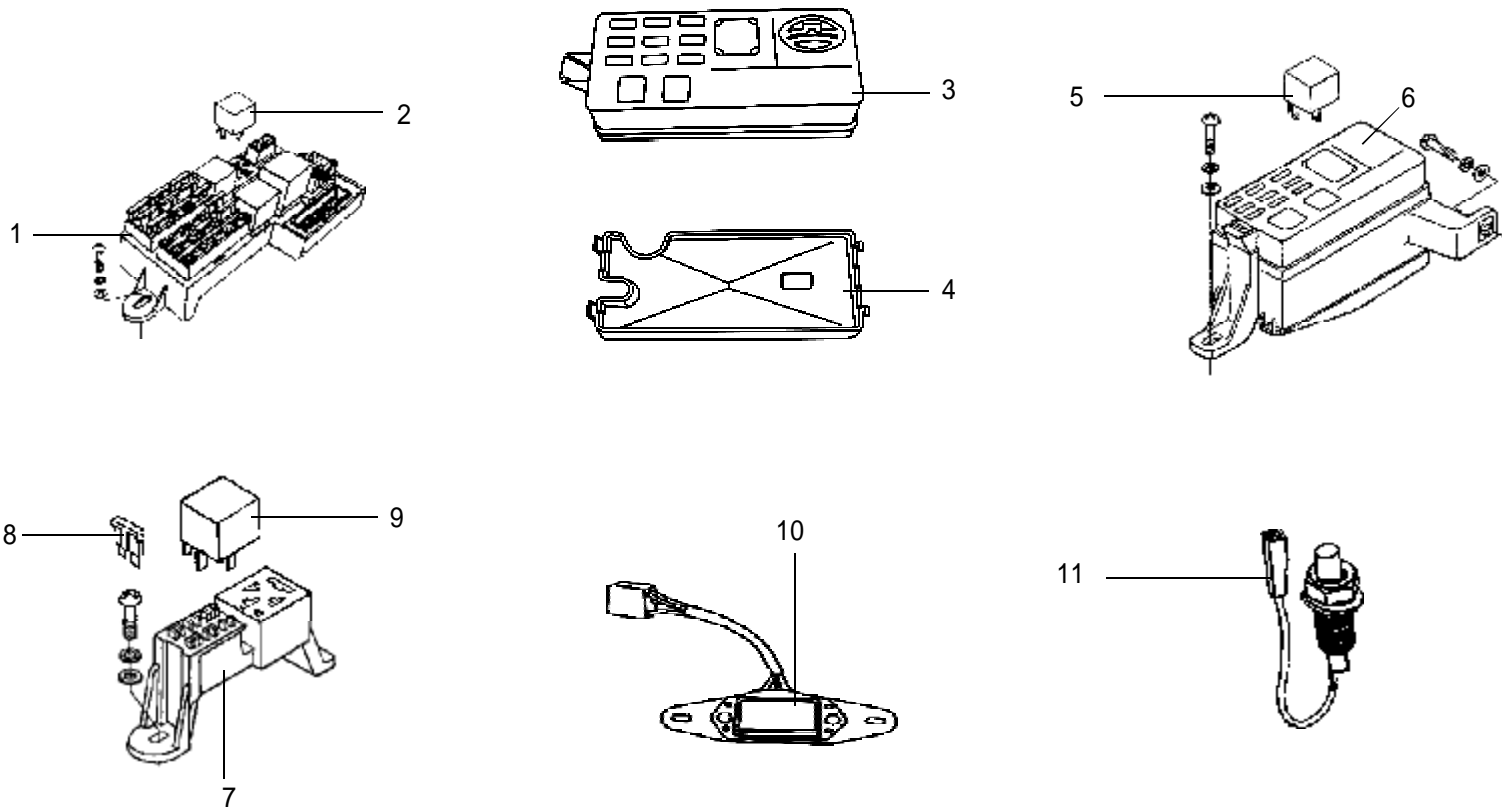
B

电动玻璃升降器总成 POWER WINDOW REGULATOR ASSEMBLY

序号 S/N	零部件代号 PART CODE	零部件名称 PART NAME	用量 QTY	适用车型 VEHICLE APPLICABLE TO	备注 REMARK
A	6104010-D07	左前侧车门玻璃升降器总成 POWER WINDOW REGULATOR ASSEMBLY, FRONT DOOR,LH (POWER)	1	F00 F01 F02 F03 F04 F05	电动
	6104020-D07	右前侧车门玻璃升降器总成 POWER WINDOW REGULATOR ASSEMBLY, FRONT DOOR,RH (POWER)	1		电动
B	6204010-F00	左后侧车门玻璃升降器总成 POWER WINDOW REGULATOR ASSEMBLY, REAR DOOR,LH (POWER)	1		电动
	6204020-F00	右后侧车门玻璃升降器总成 POWER WINDOW REGULATOR ASSEMBLY, REAR DOOR,RH (POWER)	1		电动

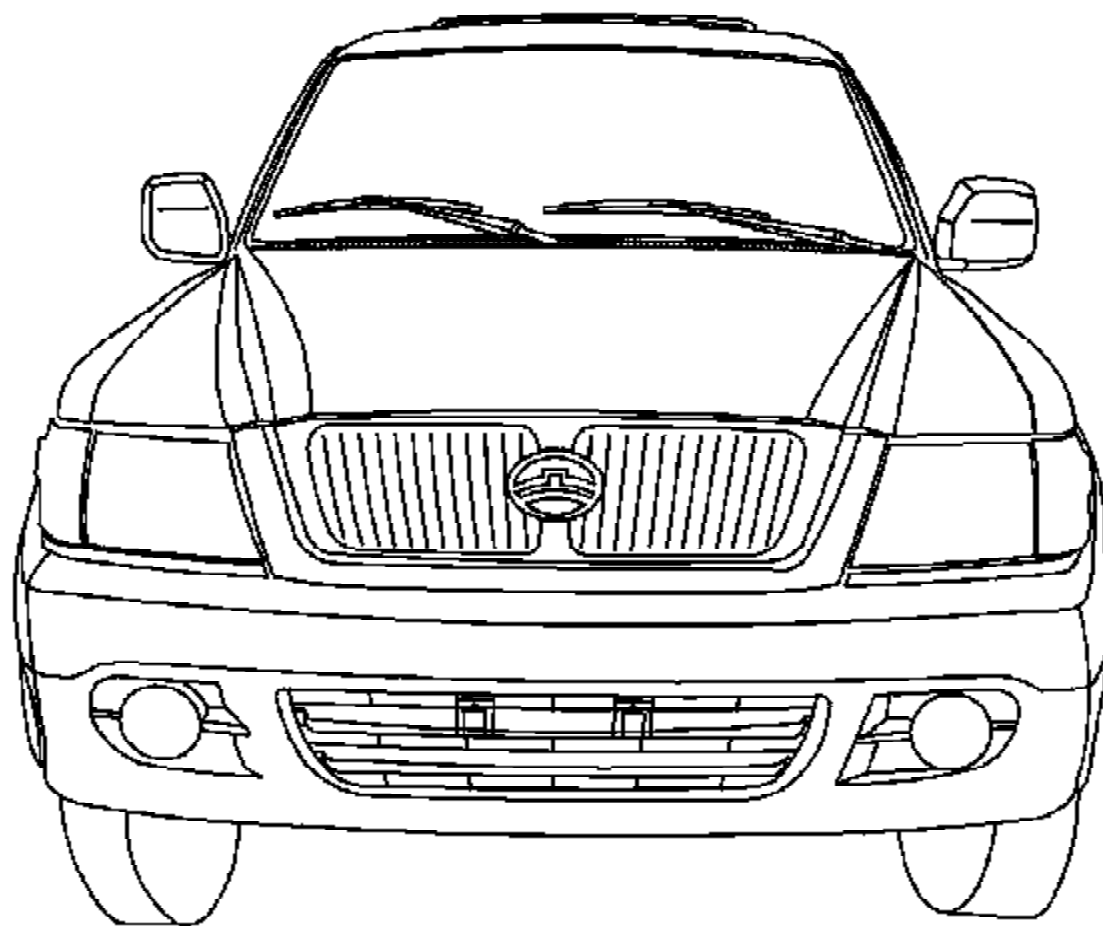


电气设备（一） ELECTRICAL EQUIPMENT (1)

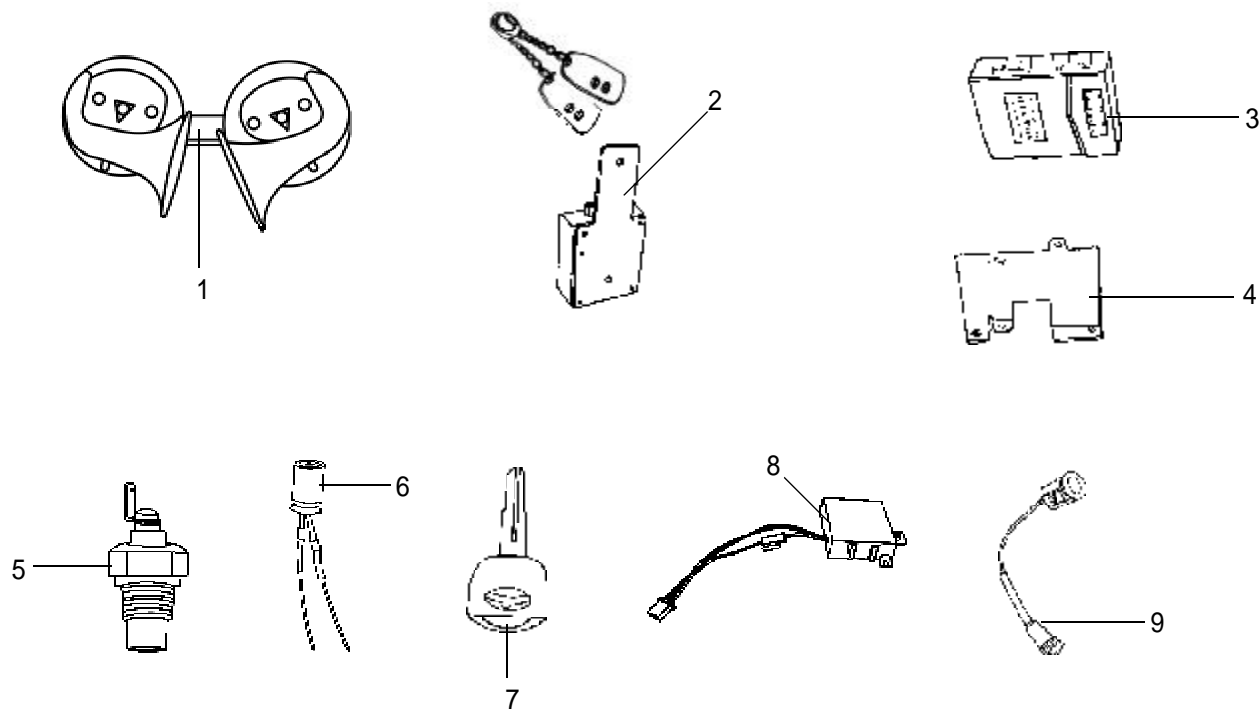


电器设备（一） ELECTRICAL EQUIPMENT (1)

序号 S/N	零部件代号 PART CODE	零部件名称 PART NAME	用量 QTY	适用车型 VEHICLE APPLICABLE TO	备注 REMARK
1	3722100-D07	一号保险盒总成 FUSE BOX ASSEMBLY,NO.1	1	F00 F01 F02 F03 F04 F05	
2	3735012-D01	闪光继电器 FLASHER RELAY (SHANGHAI)	1		上海
	3735017-D01	电动窗继电器 POWER WAYER REGULATOR RELAY	1		
	3735011-D22	灯光继电器 LIGHT RELAY	1	F02 F03	JD143A-1140
	3735023-D01	电磁扇继电器 ELECTROMAGNETIC FAN RELAY (SHANGHAI)	1		上海
	3735018-D01	延时继电器 TIME DELAY RELAY	1		
	3735011-D01	灯光继电器 LIGHT RELAY (SHANGHAI)	2	F00 F01 F02 F03 F04 F05	上海
3	3722201-F00	二号保险盒盖 FUSE BOX COVER, NO.2	1		
4	3722202-D01	二号保险盒底座 FUSE BOX SEAT,NO.2	1		
5	3735015-D01	雾灯继电器 FOG LAMP RELAY (SHANGHAI)	1		上海
	3735024-D07	低速风扇继电器 LOW SPEED FAN RELAY	1	F00 F01 F04 F05	
	3735025-D07	高速风扇继电器 HIGH SPEED FAN RELAY	1		
	3735029-D62	喇叭继电器 HORN RELAY	1	F00 F01 F02 F03 F04 F05	
6	3722200-F00	二号保险盒总成 FUSE BOX ASSEMBLY NO. 2	1		
	3722200-F01	二号保险盒总成 FUSE BOX ASSEMBLY NO. 2	1		
7	3722300-D01	三号保险盒总成 FUSE BOX ASSEMBLY NO. 3	1		
8	3722011-D01	5A 保险丝 FUSE 5A	5		
	3722012-D01	10A 保险丝 FUSE 10A	14		
	3722013-D01	15A 保险丝 FUSE 15A	5		
	3722014-D01	20A 保险丝 FUSE 20A	1		
	3722015-D01	30A 保险丝 FUSE 30A	2		
9	3735016-D01	制冷压缩机继电器 COMPRESSOR RELAY (SHANGHAI)	1		上海



电气设备 (二) ELECTRICAL EQUIPMENT (2)

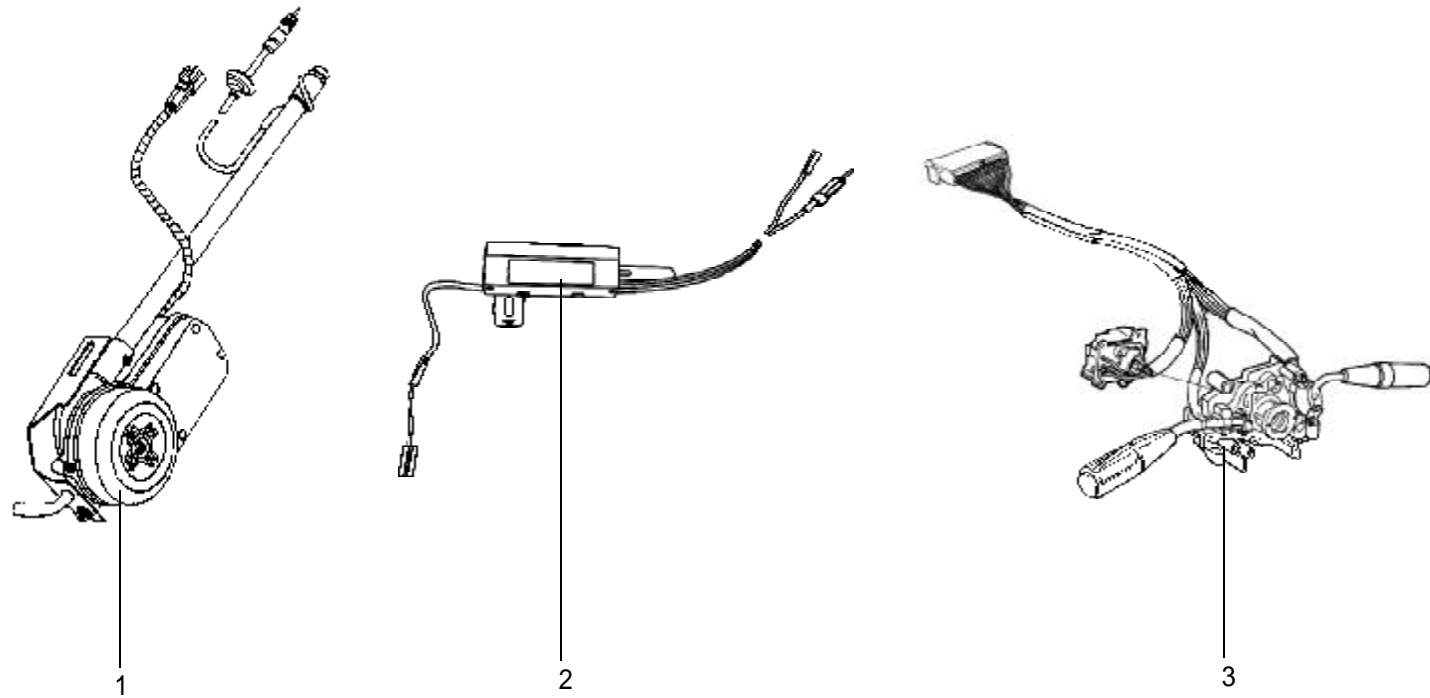


电器设备（二） ELECTRICAL EQUIPMENT (2)

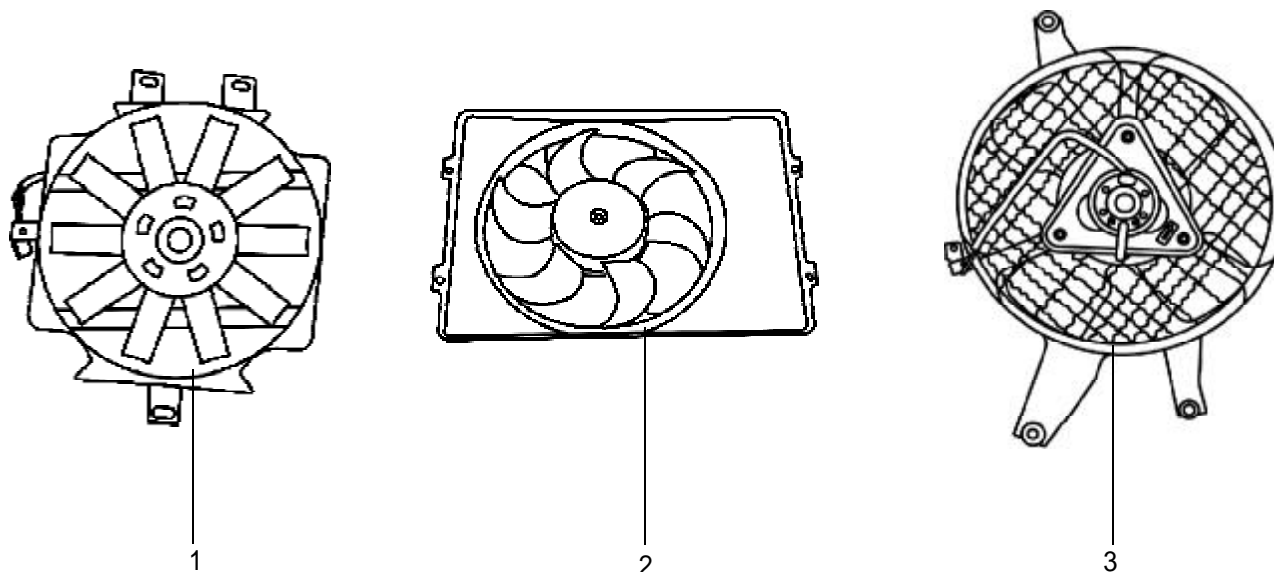
序号 S/N	零部件代号 PART CODE	零部件名称 PART NAME	用量 QTY	适用车型 VEHICLE APPLICABLE TO	备注 REMARK
1	3721010-F00	电喇叭总成 HORN ASSEMBLY (LOW TONE)	1	F00 F01 F04 F05	低音
	3721020-F00	电喇叭总成 HORN ASSEMBLY (HIGH TONE)			高音
2	3791050-F00	中控锁控制器总成 CENTRAL CONTROL LOCKING ASSEMBLY (NEW MODEL,SWING ARM TYPE,BLACK REMOTE CONTROL)	1	F00 F01 F04 F05	新款摆臂式,遥控器黑色
	3791050-F00-B1	中控锁控制器总成 CENTRAL CONTROL LOCKING ASSEMBLY (SWING ARM TYPE,RED REMOTE CONTROL)			F02 F03
3	6310040-F00	后雨刷控制器总成 CONTROLL UNIT,ASSEMBLY,REAR WIPER UNIT (PLASTIC COVER)	1	F00 F01 F02 F03 F04 F05	塑壳
4	6310051-F00	后雨刷控制器支架 CONTROLLER BRACKET,REAR WIPER	1		
5	3808020-E01-B1	水温传感器 WATER TEMPERATURE SENSOR (MODEL 2004, DONGFENG)	1	F00 F01 F04 F05	2004 款,东风
6	3700021-F00	电解电容 ELCC	1		
7	3704011-F00	钥匙坯 KEY FLAN (DOUBLE GROOVE)	1	F00 F01 F02 F03 F04 F05	双沟槽
8	3603010-F00	防撞雷达控制盒总成 BACK-UP RADAR CONTROL UNIT ASSEMBLY (MODEL 2004)	1	F00 F01 F04 F05	2004 款
9	3603020-F00	防撞雷达探头总成 BACK-UP RADAR SENSOR ASSEMBLY (MODEL 2004)	1		2004 款



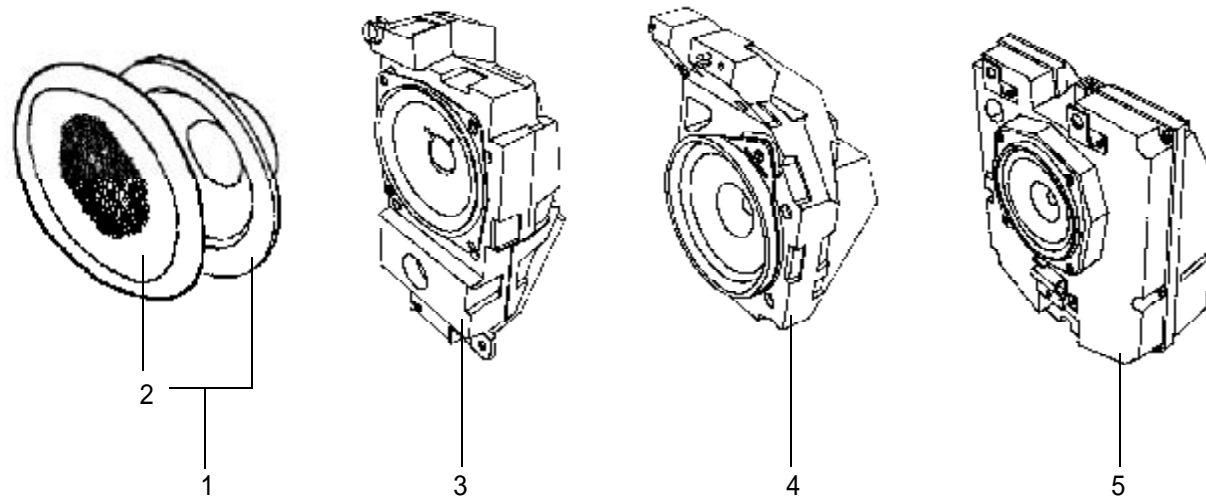
电气设备（三） ELECTRICAL EQUIPMENT (3)



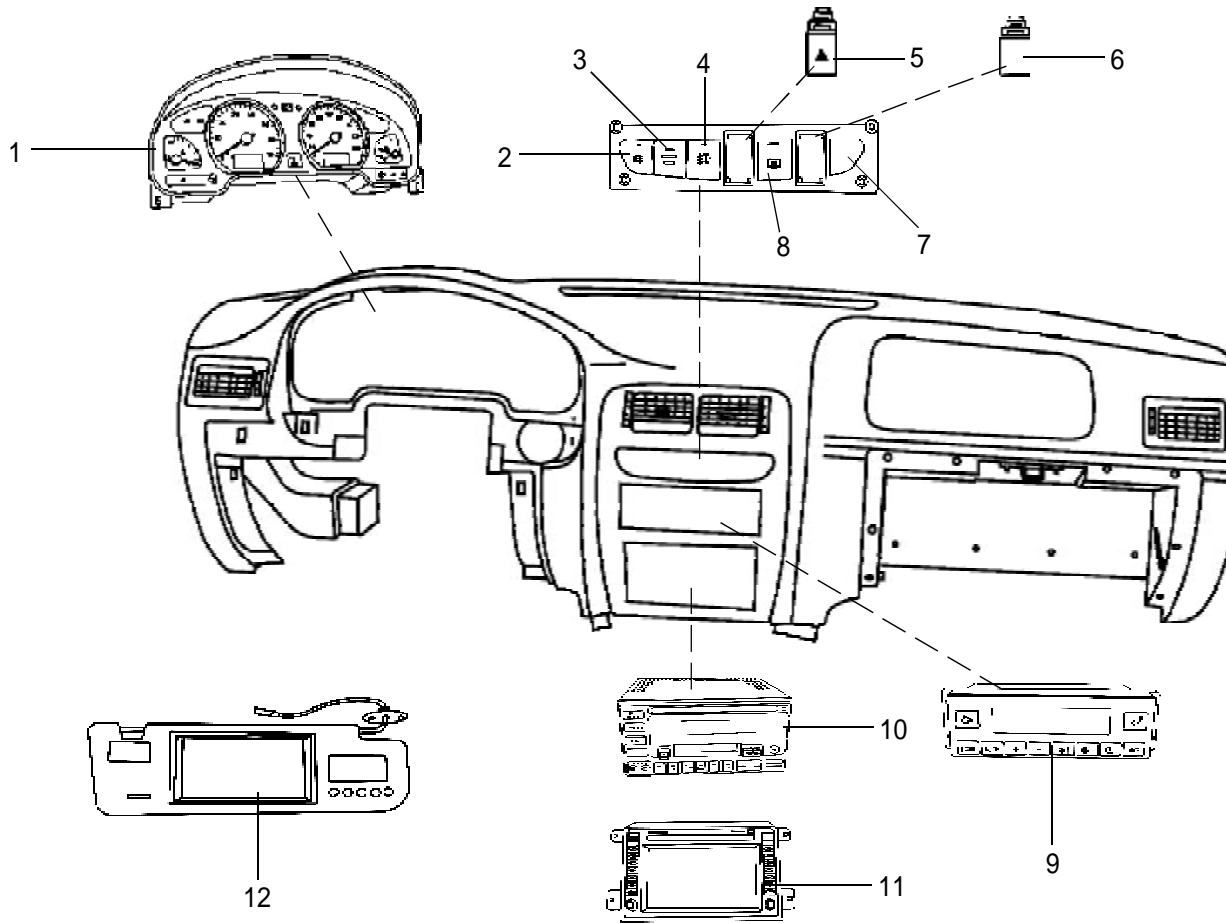
散热器风扇总成 HEAT CONDENSER FAN ASSEMBLY



音箱总成 LOUD SPEAKER ASSEMBLY



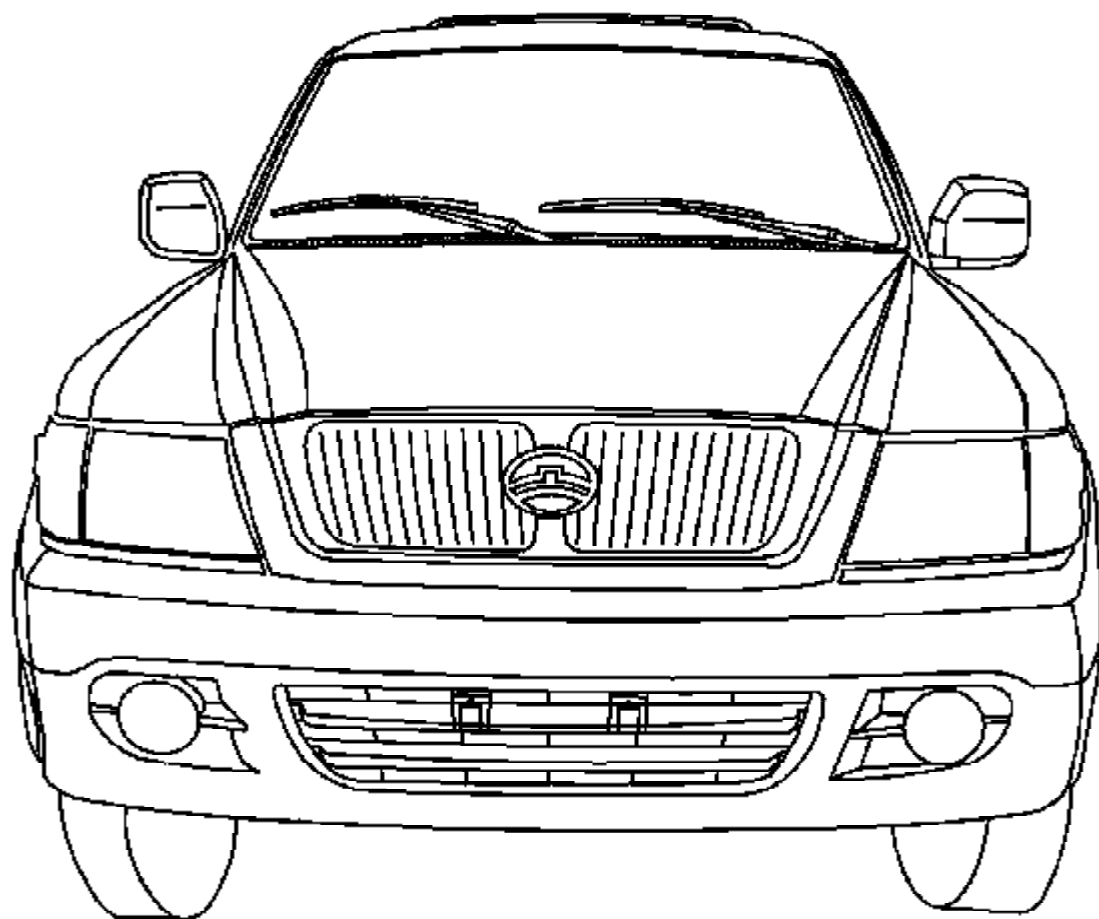
仪表控制台（一） INSTRUMENT CONTROL CONSOLE (1)



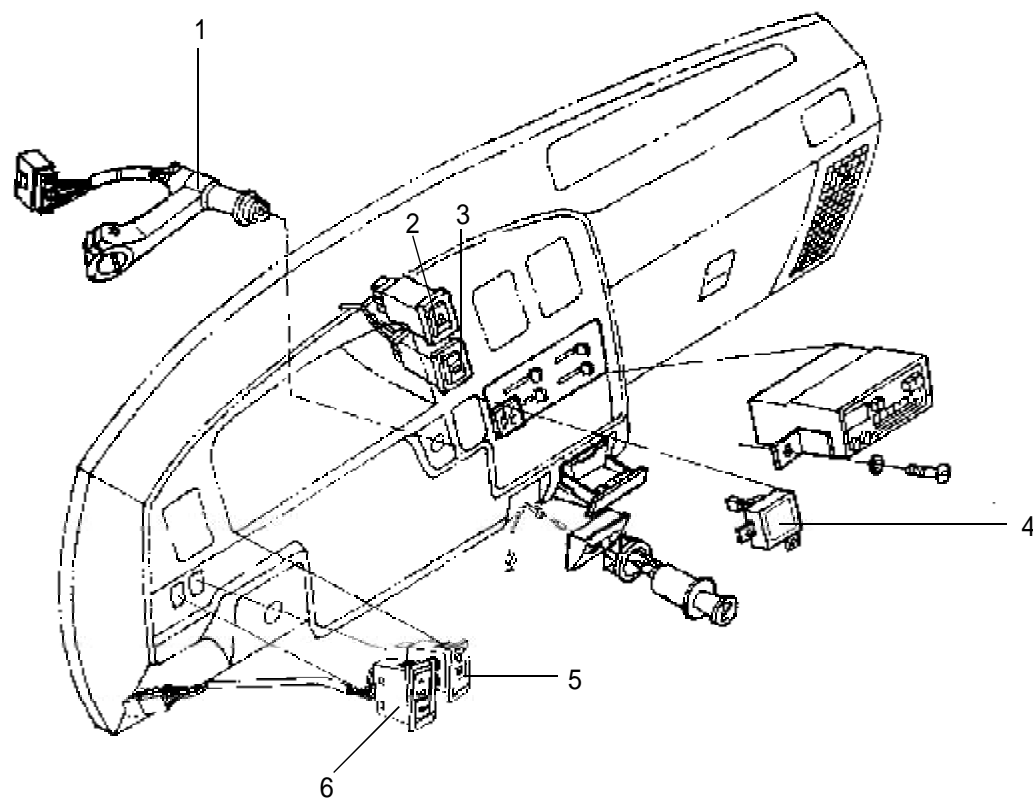
仪表控制台（一） INSTRUMENT CONTROL CONSOLE (1)

序号 S/N	零部件代号 PART CODE	零部件名称 PART NAME	用量 QTY	适用车型 VEHICLE APPLICABLE TO	备注 REMARK
	7900030-F00	吸顶式 VCD 显示屏总成 XD LCD ASSEMBLY (FIXED BETWEEN THE TWO SUN VISOR)	1	F00 F01 F04 F05	装在两遮阳板中间
1	3820100-F00	组合仪表总成 COMBINATION INSTRUMENT ASSEMBLY (MODEL 2004, SHAOXING ZB155A)	1	F00 F01	2004 款,绍兴,ZB155A
	3820100-F00-A1	组合仪表总成 COMBINATION INSTRUMENT ASSEMBLY (MODEL 2004, SHANGHAI ZB155A)			2004 款,上海,ZB155A
	3820100-F00-A2	组合仪表总成 COMBINATION INSTRUMENT ASSEMBLY (MODEL 2004,SHANGHAI CCS)			2004 款,定速巡航系统上海
	3820100-F00-A3	组合仪表总成 COMBINATION INSTRUMENT ASSEMBLY (SHAOXING FOR EXPORT VEHICLE ZB155B3)			绍兴,出口车用,ZB155B3
	3820100-F00-A4	组合仪表总成 COMBINATION INSTRUMENT ASSEMBLY			F00 F01 F04 F05
2	4116040-F00	后雾灯开关总成 SWITCH ASSEMBLY,REAR FOG LAMP(MODEL 2004, SHANGHAI)	1	F00 F01 F04 F05	2004 款,上海
3	4117030-F00	尾门摇机开关总成 REGULATOR SWITCH ASSEMBLY,TAIL DOOR (MODEL 2004, SHANGHAI)	1		2004 款,上海
4	4116030-F00	雾灯开关总成 SWITCH ASSEMBLY,FOG LAMP (MODEL 2004, SHANGHAI)	1		2004 款,上海
5	4117020-F00	警告灯开关总成 SWITCH ASSEMBLY,WARNING LAMP (MODEL 2004, SHANGHAI)	1		2004 款,上海
6	3603030-D07	防撞雷达显示屏总成 DISPLAY SCREEN ASSEMBLY,BACK-UP RADAR (MODEL 2004)	1		2004 款
7	3748020-F00	MODE 开关总成 MODE SWITCH ASSEMBLY (MODEL 2004, SHANGHAI)	1		2004 款,上海
8	3748010-F00	除霜开关总成 DEFROST SWITCH ASSEMBLY (MODEL 2004, SHANGHAI)	1		2004 款,上海
9	8112000-F02	控制面板组件 ELECTRICALLY-CONTROLLED PANEL , AIR CONDITIONING (MODEL 2004)	1		2004 款
10	7901010-F00-A1	三合组合音响总成 COMBINED VCD PLAYER ASSEMBLY (MODEL 2004, HANGSHENG CD PLAYER)	1		2004 款,航盛,CD 机

363



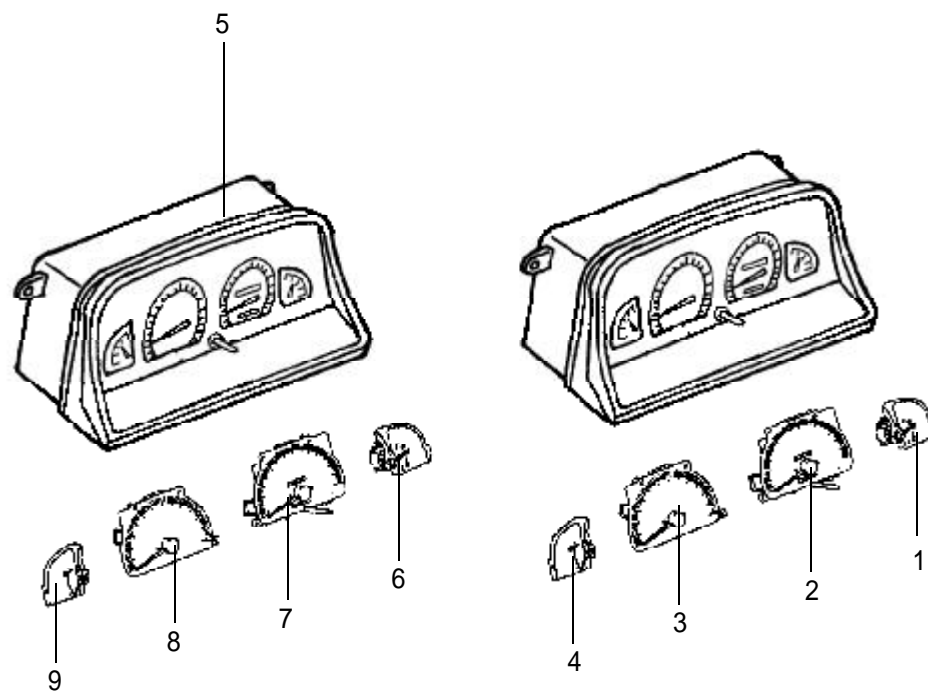
仪表控制台（二） INSTRUMENT CONTROL CONSOLE (2)



仪表控制台（二） INSTRUMENT CONTROL CONSOLE (2)

序号 S/N	零部件代号 PART CODE	零部件名称 PART NAME	用量 QTY	适用车型 VEHICLE APPLICABLE TO	备注 REMARK
1	3704000-F00-C1	点火开关总成 IGNITION SWITCH ASSEMBLY (MODEL 2003)	1	F00 F01	2003 款
	3704000-F00	点火开关总成 IGNITION SWITCH ASSEMBLY (MODEL 2004)		F00 F01	2004 款
	3704000-F00-B1	点火开关总成 IGNITION SWITCH ASSEMBLY (MODEL 2004)		F00 F01 F04 F05	2004 款
	3704000-F02	点火开关总成 IGNITION SWITCH ASSEMBLY (MODEL 2002,WITH LOCK CYLINDER)		F02 F03	2002 款,含锁芯
2	4117020-F02	警告灯开关总成 SWITCH ASSEMBLY,WARNING LAMP	1	F00 F01 F02 F03 F04 F05	
	4117020-D01	警告灯开关总成 SWITCH ASSEMBLY,WARNING LAMP		F02 F03	
	4117020-D22	警告灯开关总成 SWITCH ASSEMBLY,WARNING LAMP			
3	4116030-F02	雾灯开关总成 SWITCH ASSEMBLY,FOG LAMP	1	F00 F01 F02 F03 F04 F05	
4	3809011-D01	温度显示屏 TEMPERATURE DISPLAY SCREEN	1	F02 F03	
5	4116030-F00-B1	除霜开关总成 DEFROST SWITCH ASSEMBLY	1	F00 F01 F02 F03 F04 F05	
6	4117030-F02	后背门玻璃升降器开关总成 REGULATOR SWITCH ASSEMBLY,TAIL DOOR	1		

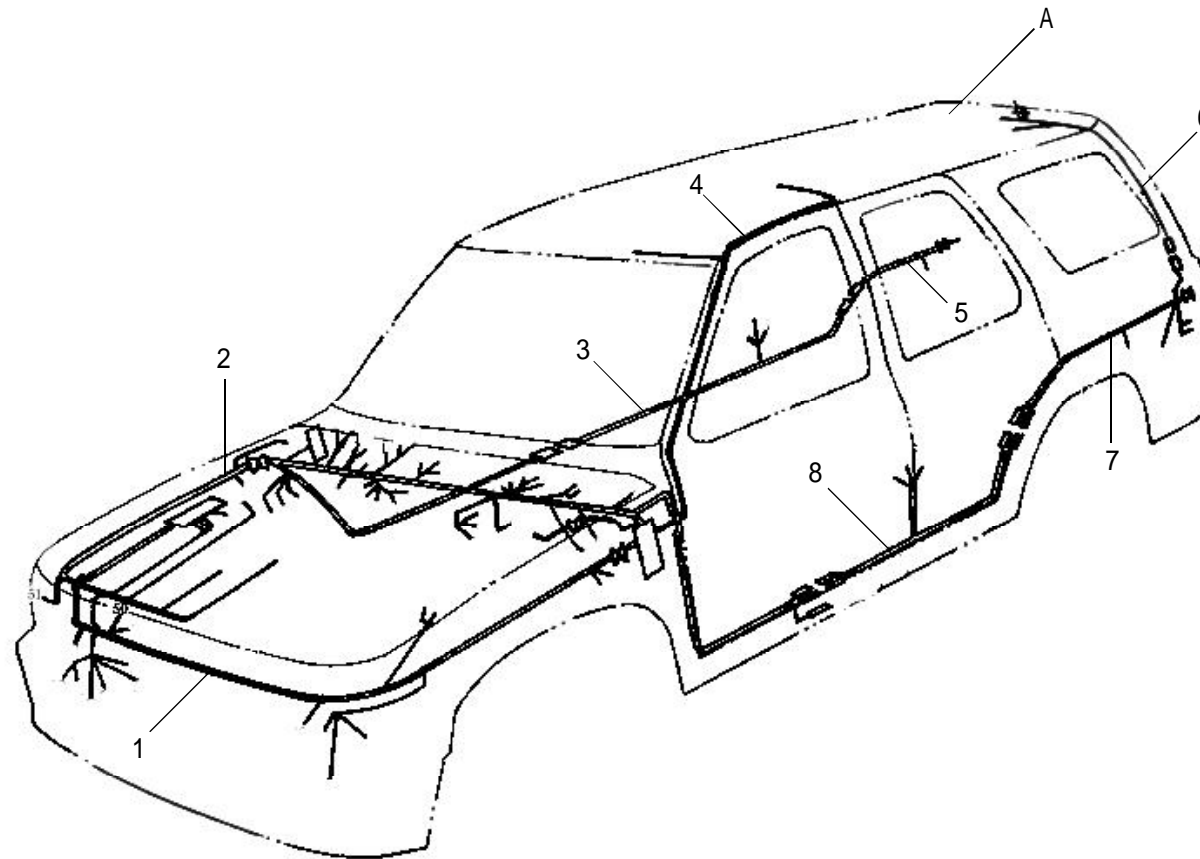
组合仪表总成 COMBINATION INSTRUMENT ASSEMBLY



组合仪表总成 COMBINATION INSTRUMENT ASSEMBLY

序号 S/N	零部件代号 PART CODE	零部件名称 PART NAME	用量 QTY	适用车型 VEHICLE APPLICABLE TO	备注 REMARK
1	3820140-F02-C1	燃油表总成 FULE GAUGE ASSEMBLY (BLUE COLD LIGHT)	1	F00 F01 F04 F05	蓝冷光
2	3820110-F02-C1	里程表总成 ODOMETER ASSEMBLY (BLUE COLD LIGHT)	1		蓝冷光
3	3820120-F02-C1	转速表总成 TACHOMETER ASSEMBLY (BLUE COLD LIGHT)	1		蓝冷光
4	3820130-F02-C1	水温表总成 WATER TEMPERATURE GAUGE ASSEMBLY (BLUE COLD LIGHT)	1		蓝冷光
5	3820100-F02	组合仪表总成 COMBINATION INSTRUMENT ASSEMBLY (MODEL 2002)	1	F02 F03	2002 款
	3820100-F00-B1	组合仪表总成 COMBINATION INSTRUMENT ASSEMBLY (MODEL 2003,LCD ODOMETER)		F00	2003 款,液晶显示里程表
	3820100-F02-D1	组合仪表总成 COMBINATION INSTRUMENT ASSEMBLY (BLUE)		F00 F01	蓝底光
	3820100-F00-A8	组合仪表总成 COMBINATION INSTRUMENT ASSEMBLY		F00 F01 F04 F05	08015009914
6	3820140-F02-D1	燃油表总成 FULE GAUGE ASSEMBLY (BLUE)	1	F00 F01	蓝底光
7	3820110-F02-D1	里程表总成 ODOMETER ASSEMBLY (BLUE)	1		蓝底光
8	3820120-F02-D1	转速表总成 TACHOMETER ASSEMBLY (BLUE)	1		蓝底光
9	3820130-F02-D1	水温表总成 WATER TEMPERATURE GAUGE ASSEMBLY (BLUE)	1		蓝底光

线束分布（一） WIRING HARNESS ARRANGEMENT (1)



线束分布（一） WIRE HARNESS ARRANGEMENT (1)

序号 S/N	零部件代号 PART CODE	零部件名称 PART NAME	用量 QTY	适用车型 VEHICLE APPLICABLE TO	备注 REMARK
A	500000-F02	驾驶室总成 CAB ASSEMBLY (MODEL 2002,NOT BACK TIRE, ELECTROPHORESIS)	1	F02 F03	2002 款,非背式备胎,电泳
	500000-F02-B1	驾驶室总成 CAB ASSEMBLY (MODEL 2002,BACK TIRE, ELECTROPHORESIS)			2002 款,背负式备胎,电泳
	500000-F00-C1	驾驶室总成 CAB ASSEMBLY (MODEL 2003,NOT BACK TIRE ELECTROPHORESIS)		F00 F01 F04 F05	2003 款,非背负式备胎,电泳
	500000-F00-D1	驾驶室总成 CAB ASSEMBLY (MODEL 2003,BACK TIRE ELECTROPHORESIS)			2003 款,背负式备胎,电泳
	500000-F00	驾驶室总成 CAB ASSEMBLY (MODEL 2004,BACK TIRE ELECTROPHORESIS)			2004 款,背负式备胎,电泳
	500000-F00-B1	驾驶室总成 CAB ASSEMBLY (MODEL 2004,NOT BACK TIRE ELECTROPHORESIS)			2004 款,非背负式备胎,电泳
1	4011100-F00	机舱线束总成 ENGINE COMPARTMENT WIRING HARNESS ASSEMBLY (MODEL 2003,THE ALTERNATOR REGULATOR IS INTEGRATED WITH THE ALTERNATOR,UAES)	1	F02 F03	03 款,内置调节器、联合电子
	4011100-F00-B1	机舱线束总成 ENGINE COMPARTMENT WIRING HARNESS ASSEMBLY (MODEL 04A,UAES, ELECTRONIC A/C SYSTEM)			04A 款, 联合电子, 电控空调
	4011100-F00-B2	机舱线束总成 ENGINE COMPARTMENT WIRING HARNESS ASSEMBLY (MODEL 04,UAES ELECTRONIC CONTROL SYSTEM, ELECTRONIC A/C SYSTEM)		F00 F01	04 款,联合电子电控空调
	4011100-F00-B3	机舱线束总成 ENGINE COMPARTMENT WIRING HARNESS ASSEMBLY (MODEL 04B,UAES ELECTRONIC CONTROL SYSTEM, MACS SYSTEM)			04B 款,联合电子,麦克斯空调
	4011100-F02	机舱线束总成 ENGINE COMPARTMENT WIRING HARNESS ASSEMBLY (MODEL 2002,DELPHI SYSTEM)			02 款德尔福
	4011100-F02-B1	机舱线束总成 ENGINE COMPARTMENT WIRING HARNESS ASSEMBLY (MODEL 2002,THE ALTERNATOR REGULATOR IS INTEGRATED WITH THE ALTERNATOR)			02 款,内置调节器

线束分布（一） WIRE HARNESS ARRANGEMENT (1)

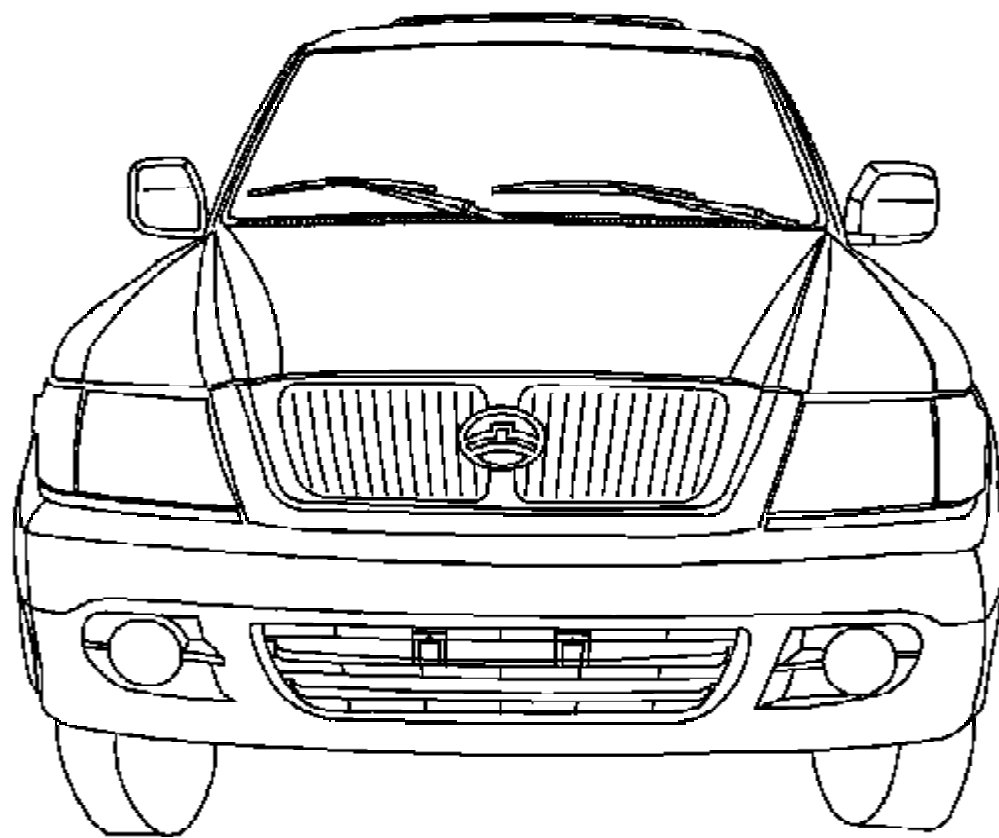
序号 S/N	零部件代号 PART CODE	零部件名称 PART NAME	用量 QTY	适用车型 VEHICLE APPLICABLE TO	备注 REMARK
1	4011100-F01	机舱线束总成 ENGINE ROOM WIRE ASSEMBLY (ELECTRONIC CONTROL 4WD)	1	F00 F01	电控四驱用
2	4003100-F02-B1	仪表板及控制台线束总成 INSTRUMENTS PANEL AND CONSOLE WIRING HARNESS ASSEMBLY (MODEL 2002,THE ALTERNATOR REGULATOR IS INTEGRATED WITH THE ALTERNATOR)			02 款,内置调节器
	4003100-F00	仪表板及控制台线束总成 INSTRUMENTS PANEL AND CONSOLE WIRING HARNESS ASSEMBLY (UAES,IMPROVED HORN WIRE)			联合电子改进喇叭线
	4003100-F00-A1	仪表板及控制台线束总成 INSTRUMENTS PANEL AND CONSOLE WIRING HARNESS ASSEMBLY (UAES,IMPROVED THE CENTRAL LOCKING)			联合电子改进中控锁
	4003100-F00-A3	仪表板及控制台线束总成 INSTRUMENTS PANEL AND CONSOLE WIRING HARNESS ASSEMBLY (UAES)			联合电子
	4003100-F00-A4	仪表板及控制台线束总成 INSTRUMENTS PANEL AND CONSOLE WIRING HARNESS ASSEMBLY (MODEL 2004A, UAES, ELECTRONIC CONTROL A/C,POWER ANTENNA CANNOT BE INSTALLED)			04A 款,联合电子,电控空调,不可接电动天线
	4003100-F00-A5	仪表板及控制台线束总成 INSTRUMENTS PANEL AND CONSOLE WIRING HARNESS ASSEMBLY (MODEL 2004A, UAES, ELECTRONIC CONTROL A/C , POWER AERIAL CAN BE INSTALLED)			04A 款,联合电子,电控空调,可接电动天线
	4003100-F00-A6	仪表板及控制台线束总成 INSTRUMENTS PANEL AND CONSOLE WIRING HARNESS ASSEMBLY (MODEL 2004B, UAES, ELECTRONIC CONTROL A/C , MACS)			04B 款,联合电子,电控空调,麦克斯
	4003100-F00-A7	仪表板及控制台线束总成 INSTRUMENTS PANEL AND CONSOLE WIRING HARNESS ASSEMBLY (MODEL 2004B, UAES, ELECTRONIC CONTROL A/C ,WITH REAR ROG LAMP WIRE,MACS)			04B 款,联合电子,电控空调增加后雾灯线,麦克斯
	4003100-F00-A8	仪表板及控制台线束总成 INSTRUMENTS PANEL AND CONSOLE WIRING HARNESS ASSEMBLY (MODEL 2004B, UAES, ZHONGG-ANG ELECTRONIC CONTROL A/C)			04B 款,联合电子,中港电控空调

线束分布（一） WIRE HARNESS ARRANGEMENT (1)

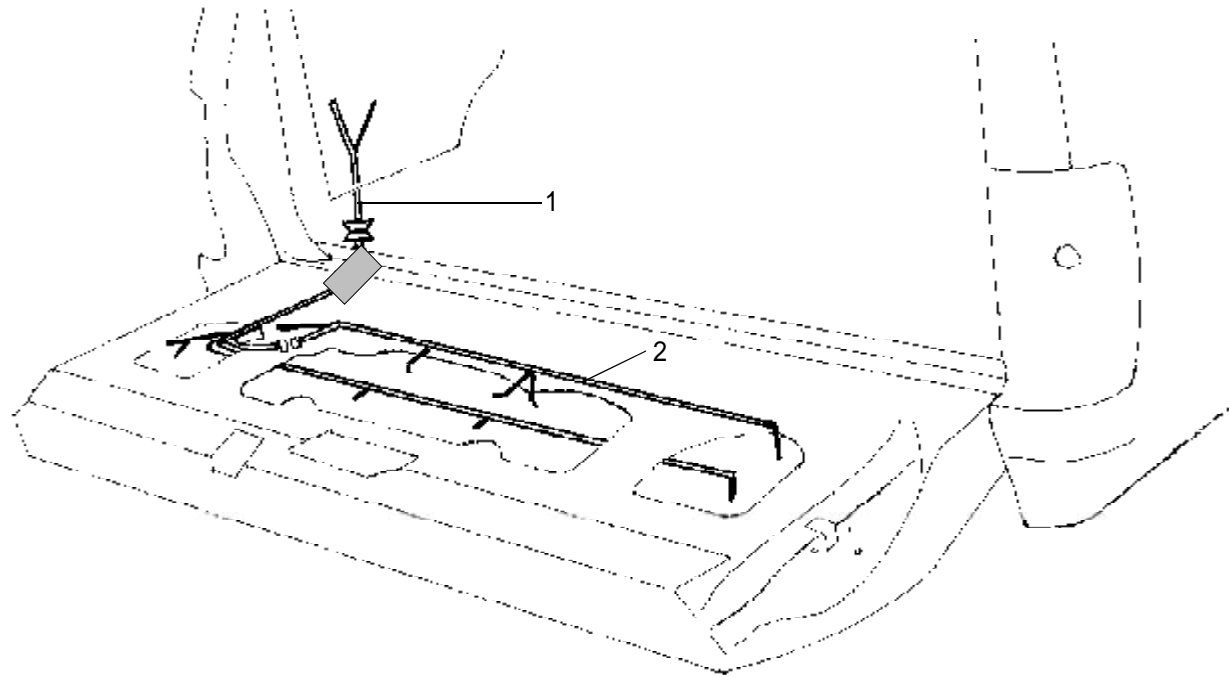
序号 S/N	零部件代号 PART CODE	零部件名称 PART NAME	用量 QTY	适用车型 VEHICLE APPLICABLE TO	备注 REMARK
2	4003100-F00-B1	仪表板及控制台线束总成 INSTRUMENTS PANEL AND CONSOLE WIRING HARNESS ASSEMBLY (WITHOUT TIME-DELAY RELAY AND FACE SHIELD LAMP HARNESS)	1	F00 F01	取消延时继电器及面罩灯线束
	4003100-F00-C1	仪表板及控制台线束总成 INSTRUMENTS PANEL AND CONSOLE WIRING HARNESS ASSEMBLY(HEATED SEAT)		F00	电加热座椅
	4003100-F00-C2	仪表板及控制台线束总成 INSTRUMENTS PANEL AND CONSOLE WIRING HARNESS ASSEMBLY			
	4003100-F00-C3	仪表板及控制台线束总成 INSTRUMENTS PANEL AND CONSOLE WIRING HARNESS ASSEMBLY(HEATED SEAT, CRUISE CONTROL)			电加热座椅,巡航定速
	4003100-F01	仪表板及控制台线束总成 INSTRUMENTS PANEL AND CONSOLE WIRING HARNESS ASSEMBLY (WITH RADIATOR FAN)		F00 F01	配散热器风扇
	4003100-F01-B1	仪表板及控制台线束总成 DASHBOARD AND CONSOLE WIRING HARNESS ASSEMBLY (ONLY FOR CRUISE CONTROL)		F01	巡航定速专用
	4003100-F01-C1	仪表板及控制台线束总成 DASHBOARD AND CONSOLE WIRING HARNESS ASSEMBLY (ELECTRONIC CONTROL 4WD)		F00 F01	电控四驱用
	4003100-F01-H1	仪表板及控制台线束总成 DASHBOARD AND CONSOLE WIRING HARNESS ASSEMBLY (ELECTRONIC CONTROL 4WD, HEATED SEAT)		F01	电控四驱,电加热座椅
	4003100-F01-G1	仪表板及控制台线束总成 DASHBOARD AND CONSOLE WIRING HARNESS ASSEMBLY (ELECTRONICALLY CONTROLLED 4WD)			电控四驱
	4003100-F01-H2	仪表板及控制台线束总成 DASHBOARD AND CONSOLE WIRING HARNESS ASSEMBLY (ELECTRONICALLY CONTROLLED 4WD, HEATED SEAT, CRUISE CONTROL)			电控四驱,电加热座椅,巡航定速
	4003100-F01-J1	仪表板及控制台线束总成 DASHBOARD AND CONSOLE WIRING HARNESS ASSEMBLY (ELECTRONIC CONTROL 4WD, ELECTRIC ADJUSTMENT HEADLAMP)			电控四驱,电调大灯
	4003100-F01-J1	仪表板及控制台线束总成 DASHBOARD AND CONSOLE WIRING HARNESS ASSEMBLY		F04	
	4003100-F05	仪表板及控制台线束总成 DASHBOARD AND CONSOLE WIRING HARNESS ASSEMBLY		F05	

线束分布（一） WIRE HARNESS ARRANGEMENT (1)

序号 S/N	零部件代号 PART CODE	零部件名称 PART NAME	用量 QTY	适用车型 VEHICLE APPLICABLE TO	备注 REMARK
2	4003100-F05-B1	仪表板及控制台线束总成 INSTRUMENTS PANEL AND CONSOLE WIRING HARNESS ASSEMBLY(HEATED SEAT)	1	F05	电加热座椅
	4003100-F05-C1	仪表板及控制台线束总成 INSTRUMENTS PANEL AND CONSOLE WIRING HARNESS ASSEMBLY(BASS SPEAKER)			低音炮
	4003100-F05-C2	仪表板及控制台线束总成 INSTRUMENTS PANEL AND CONSOLE WIRING HARNESS ASSEMBLY(BASS SPEAKER, CRUISE CONTROL)			低音炮,巡航定速
	4003100-F05-C3	仪表板及控制台线束总成 INSTRUMENTS PANEL AND CONSOLE WIRING HARNESS ASSEMBLY(BASS SPEAKER, CRUISE CONTROL, HEATED SEAT)			低音炮,巡航定速,电加热座椅
3	4012200-F00	右中部线束 MIDDLE WIRING HARNESS,RH(MODEL 2004 , A DOOR LAMP CONTROL WIRE ADDED)	1	F00 F01 F02 F03	2004 款,多一条门灯控制线
	4012200-F00-B1	右中部线束 MIDDLE WIRING HARNESS,RH		F00 F01 F04 F05	
4	4018100-F01-B1	前顶灯线束 FRONT ROOF LAMP WIRING HARNESS (TOP CLASS)	1	F00 F01 F02 F03 F04 F05	顶级
	4018100-F01	前顶灯线束 FRONT ROOF LAMP WIRING HARNESS (NORMAL CLASS)		F00 F01 F04 F05	普通
5	4013200-F00	右后部线束 REAR WIRING HARNESS,RH (MODEL 2004, A DOOR LAMP CONTROL WIRE ADDED)	1	F00 F01	2004 款,多一条门灯控制线
	4013200-F00-A1	右后部线束 REAR WIRING HARNESS,RH		F00 F01 F02 F03 F04 F05	
6	4013400-F00	后雨刷线束 WIRING HARNESS,REAR WIPER	1		
7	4013100-F00	左后部线束 REAR WIRING HARNESS,LH (MODEL 2004, A DOOR LAMP CONTROL WIRE ADDED)	1		2004 款,多一条门灯控制线
	4013100-F00-A1	左后部线束 REAR WIRING HARNESS,LH			
8	4012100-F00-B1	左中部线束 MIDDLE WIRING HARNESS,LH	1		
	4012100-F00	左中部线束 MIDDLE WIRING HARNESS,LH (MODEL 2004, A DOOR LAMP CONTROL WIRE ADDED)			F00 F01

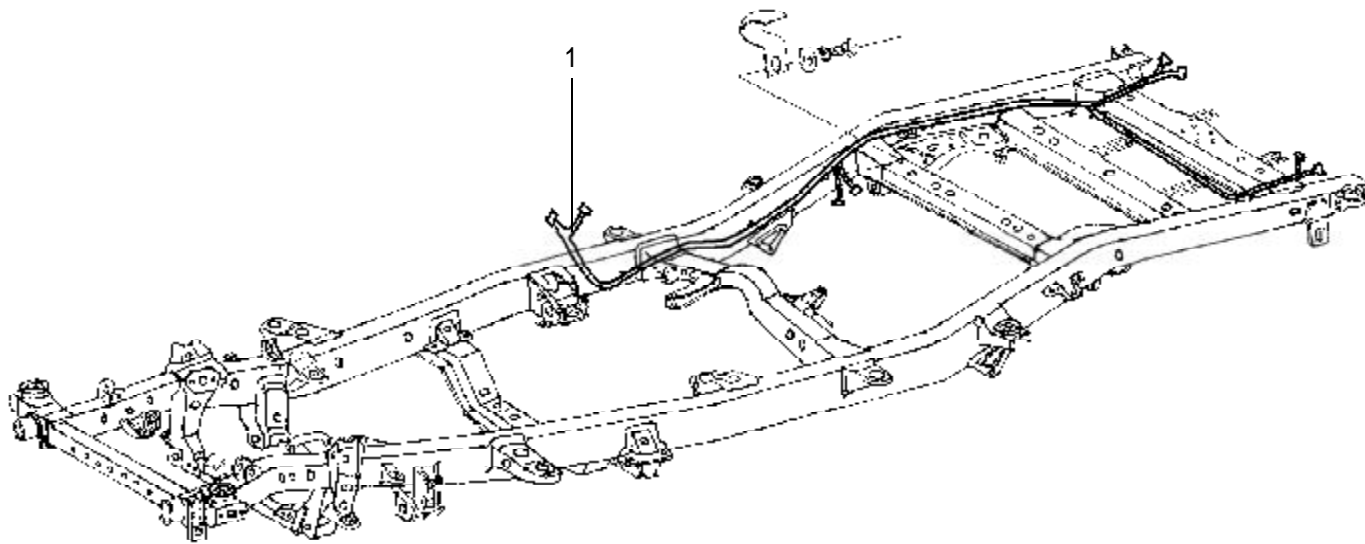


线束分布（二） WIRING HARNESS ARRANGEMENT (2)

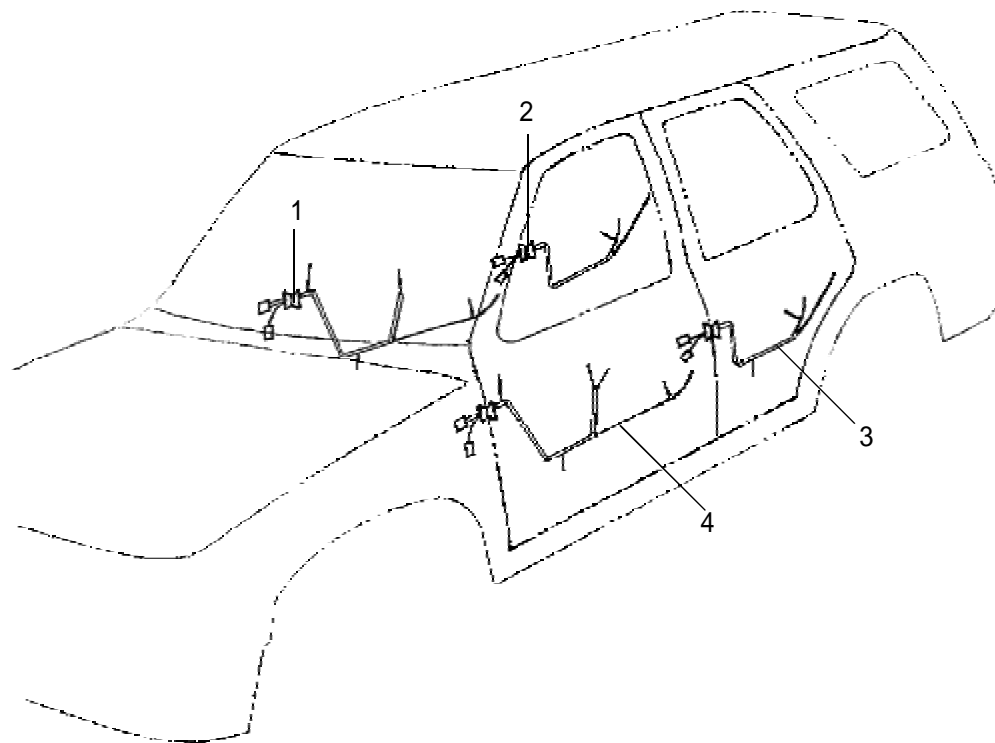


376

线束分布 (三) WIRING HARNESS ARRANGEMENT (3)



线束分布（四） WIRING HARNESS ARRANGEMENT (4)



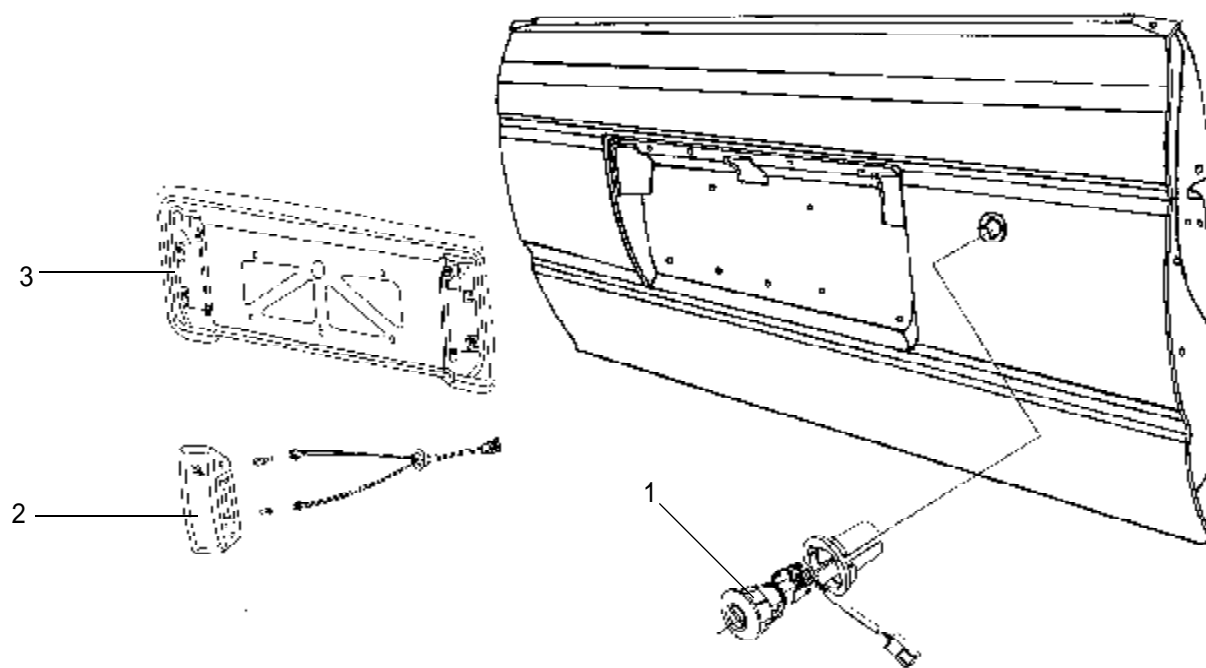
380

线束分布（四） WIRE HARNESS ARRANGEMENT (4)

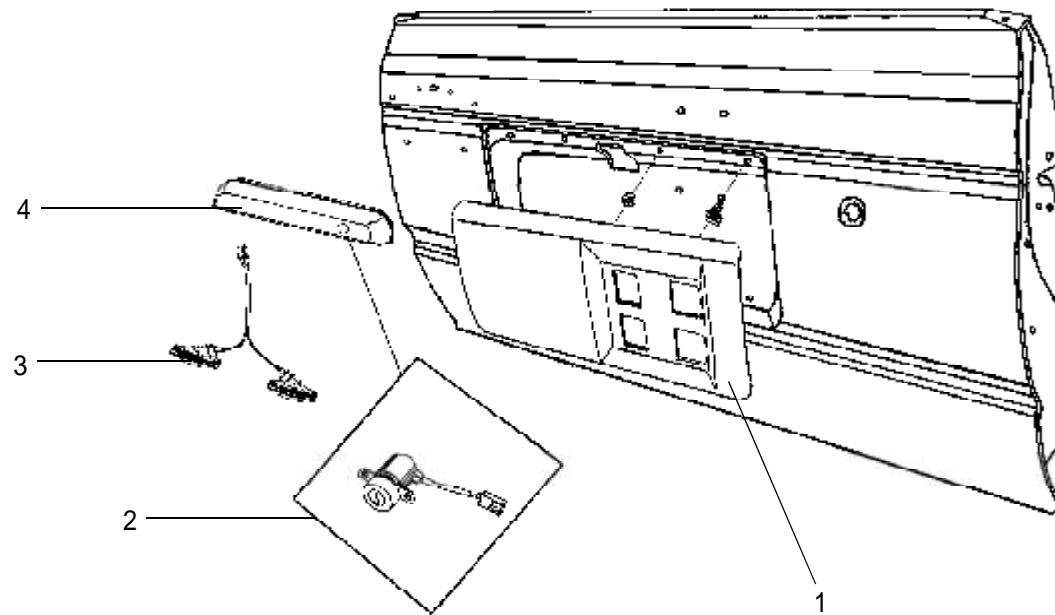
序号 S/N	零部件代号 PART CODE	零部件名称 PART NAME	用量 QTY	适用车型 VEHICLE APPLICABLE TO	备注 REMARK
1	4002120-F00	右前侧面车门线束总成 FRONT DOOR WIRING HARNESS ASSEMBLY, RH	1	F00 F01	
	4002120-F00-B1	右前侧面车门线束总成 FRONT DOOR WIRING HARNESS ASSEMBLY, RH(WITH CONNECTOR FOR DEFROSTING)		F00 F01 F02 F03 F04 F05	带除霜接头
2	4002140-F00	右后侧面车门线束总成 REAR DOOR WIRING HARNESS ASSEMBLY, RH	1		
3	4002130-F00	左后侧面车门线束总成 REAR DOOR WIRING HARNESS ASSEMBLY, LH	1		
4	4002110-F00	左前侧面车门线束总成 FRONT DOOR WIRING HARNESS ASSEMBLY, LH (MODEL 2004, WITH SPEAKER PLUG)	1	F00 F01 F04 F05	2004 款,带扬声器插头
	4002110-F02	左前侧面车门线束总成 FRONT DOOR WIRING HARNESS ASSEMBLY, LH		F00 F01 F02 F03	
	4002110-F02-B1	左前侧面车门线束总成 FRONT DOOR WIRING HARNESS ASSEMBLY, LH (REGULATOR INTEGRATES WITH ALTERNATOR)		F02 F03	内置调节器
	4002110-F00-B1	左前侧面车门线束总成 FRONT DOOR WIRING HARNESS ASSEMBLY, LH (WITH CONNECTOR FOR DEFROSTING)			带除霜接头



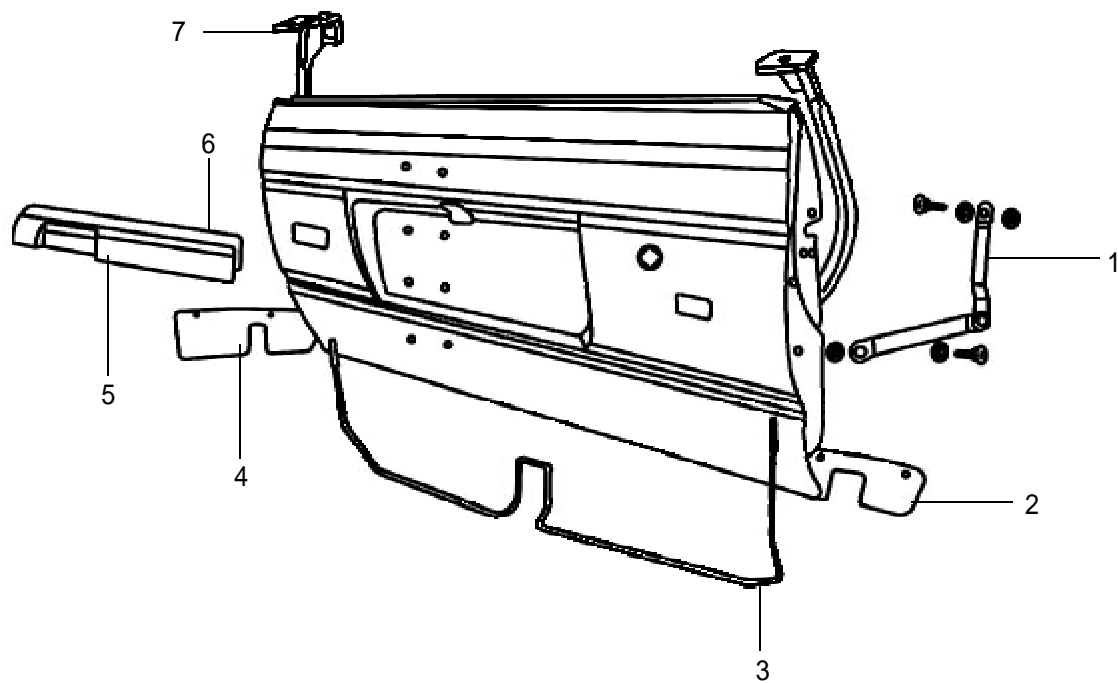
后背门（一）TAIL DOOR (1)



后背门（二） TAIL DOOR (2)

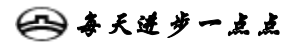


后背门 (三) TAIL DOOR (3)

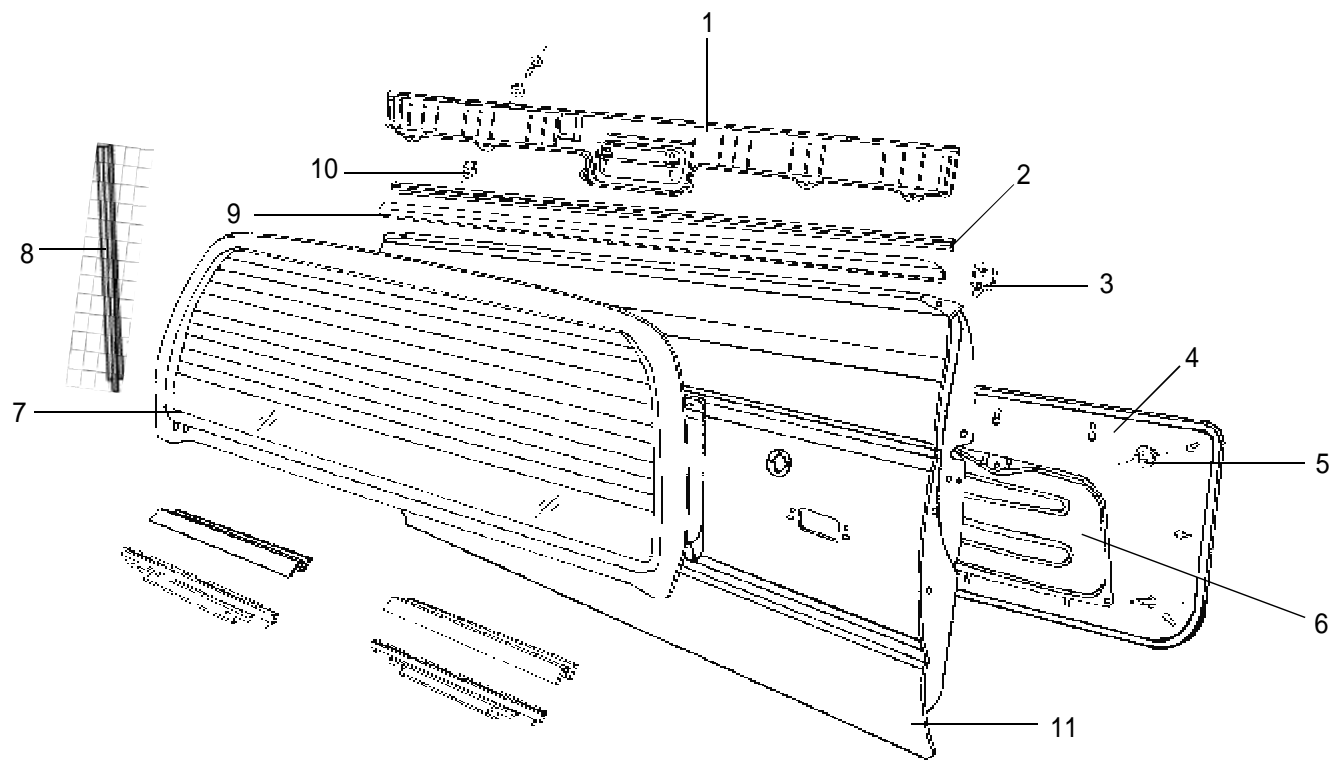


后背门（三）TAIL DOOR (3)

序号 S/N	零部件代号 PART CODE	零部件名称 PART NAME	用量 QTY	适用车型 VEHICLE APPLICABLE TO	备注 REMARK
	6306300-F00	左后背门铰链总成 HINGE ASSEMBLY,TAIL DOOR,LH	1	F00 F01 F02 F03 F04 F05	
	6306400-F00	右后背门铰链总成 HINGE ASSEMBLY,TAIL DOOR,RH	1		
1	6306200-F00	后背门拉链总成 HINGE ASSEMBLY,TAIL DOOR	1		
2	6307052-F00	后背门右下防尘胶片 BOTTOM RIGHT DUSTPROOF STRIP, TAIL DOOR	1		
3	6306100-F00	后背门扭簧总成 TORSION SPRING ASSEMBLY,TAIL DOOR	1		
4	6307051-F00	后背门左下防尘胶片 BOTTOM LEFT DUSTPROOF STRIP, TAIL DOOR	1		
5	5506010-F02-B1	牌照装饰板总成 TRIM PANEL,LICENSE PLATE (FOR BACK SPARE TYRE FOR F02)	1	F02	后备胎车用,F02 用
6	5506011-F02-B1	牌照装饰板胶条 RUBBER STRIP,TRIM PANEL,LICENSE PLATE (FOR BACK SPARE TYRE FOR F02)	1		后备胎车用,F02 用
7	6307031-F00	后背门密封条 SEALING STRIPS,TAIL DOOR	1	F00 F01 F02 F03 F04 F05	



后背门（四） TAIL DOOR (4)



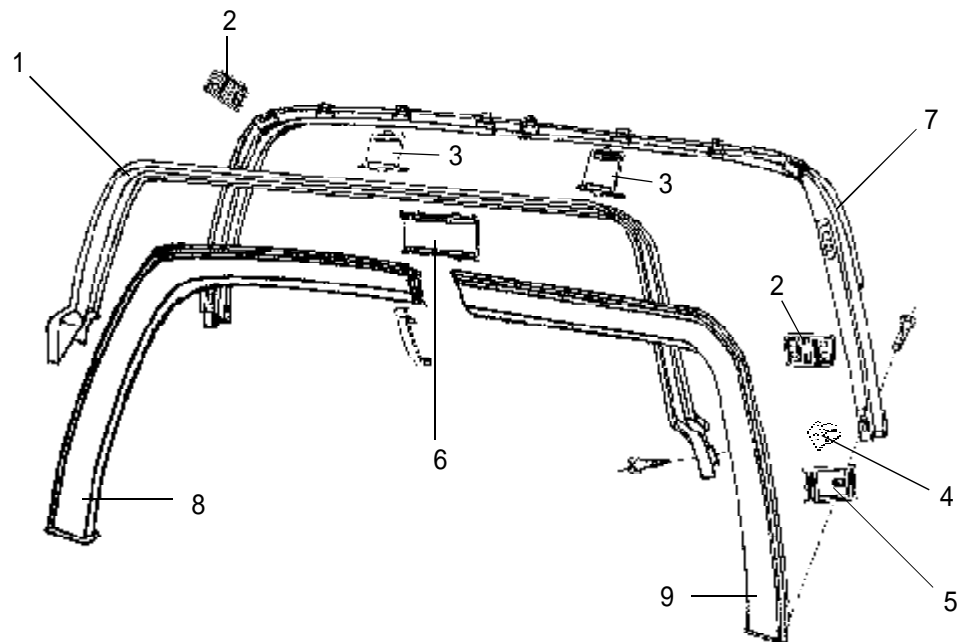
388

后背门（四）TAIL DOOR (4)

序号 S/N	零部件代号 PART CODE	零部件名称 PART NAME	用量 QTY	适用车型 VEHICLE APPLICABLE TO	备注 REMARK	
1	6302301-F00-0315	后背门装饰板 TRIM PANEL , TAIL DOOR (PALE BROWN)	1	F00 F01 F04 F05	棕黄色	
	6302301-F00-0314	后背门装饰板 TRIM PANEL , TAIL DOOR PLATE (LIGHT COFFEE)		F00 F01	浅咖啡色	
2	6307041-F00	后背门内水切 INTERIOR WEATHERSTRIP,TAIL DOOR	1	F00 F01 F04 F05		
3	6307043-F00	后背门外水切卡子 CLIP,EXTERIOR WEATHERSTRIP,TAIL DOOR	1			
4	6302501-F00-0315	后背门门板 TAIL DOOR PLATE (PALE BROWN)	1			棕黄色
	6302501-F00-0314	后背门门板 TAIL DOOR PLATE (LIGHT COFFEE)			F00 F01	浅咖啡色
5	6302502-F00	后背门门板塑扣 L-9 PLASTIC BUCKLE L-9, TAIL DOOR PLATE	18		F00 F01 F02 F03 F04 F05	
6	6302401-F00	后背门盖板 COVER PLATE,TAIL DOOR	1			
7	6303011-F00	后背门窗玻璃 WINDOW GLASS,TAIL DOOR	1			
8	6307021-F00	后背门呢槽 RUN CHANNEL,TAIL DOOR	2			
9	6307042-F00	后背门外水切 EXTERIOR WEATHERSTRIP,TAIL DOOR	1			
10	6302402-F00	后背门盖板扣 BUCKLE,COVER PLATE,TAIL DOOR	9			
11	6301100-F00	后背门总成 TAIL DOOR ASSEMBLY	1	F00 F01 F02 F03 F04 F05		
	6301100-F00-B1	后背门总成 TAIL DOOR ASSEMBLY				



后背门上框总成 TAIL DOOR UPPER FRAME ASSEMBLY

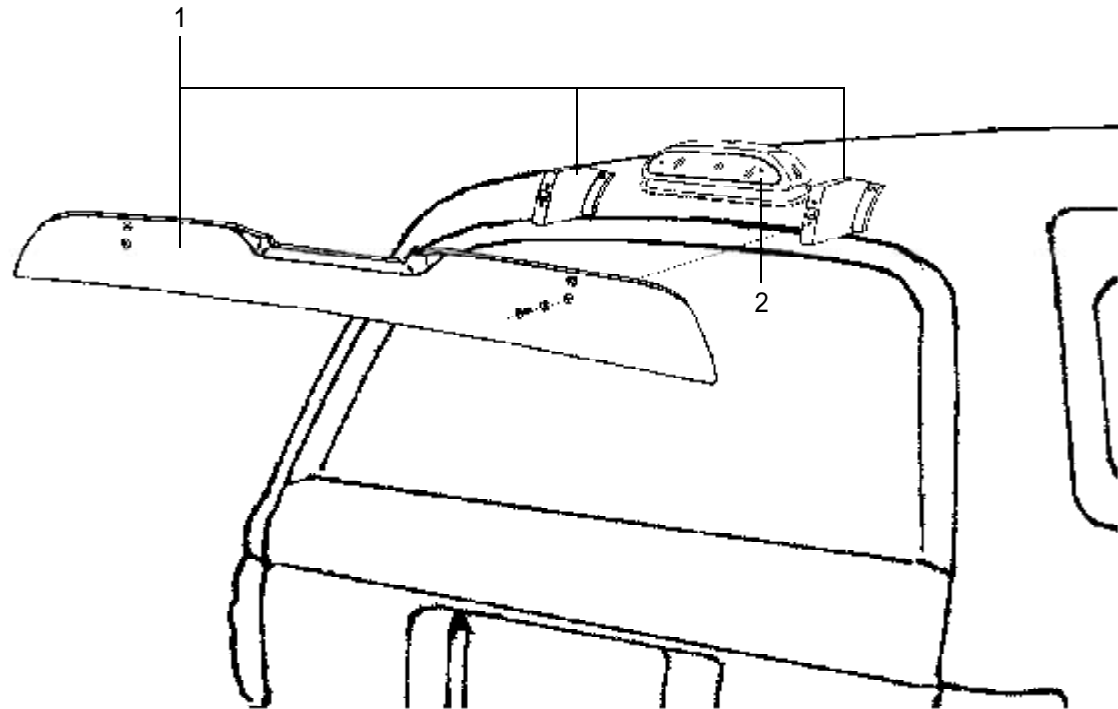


后背门上框总成 TAIL DOOR UPPER FRAME ASSEMBLY

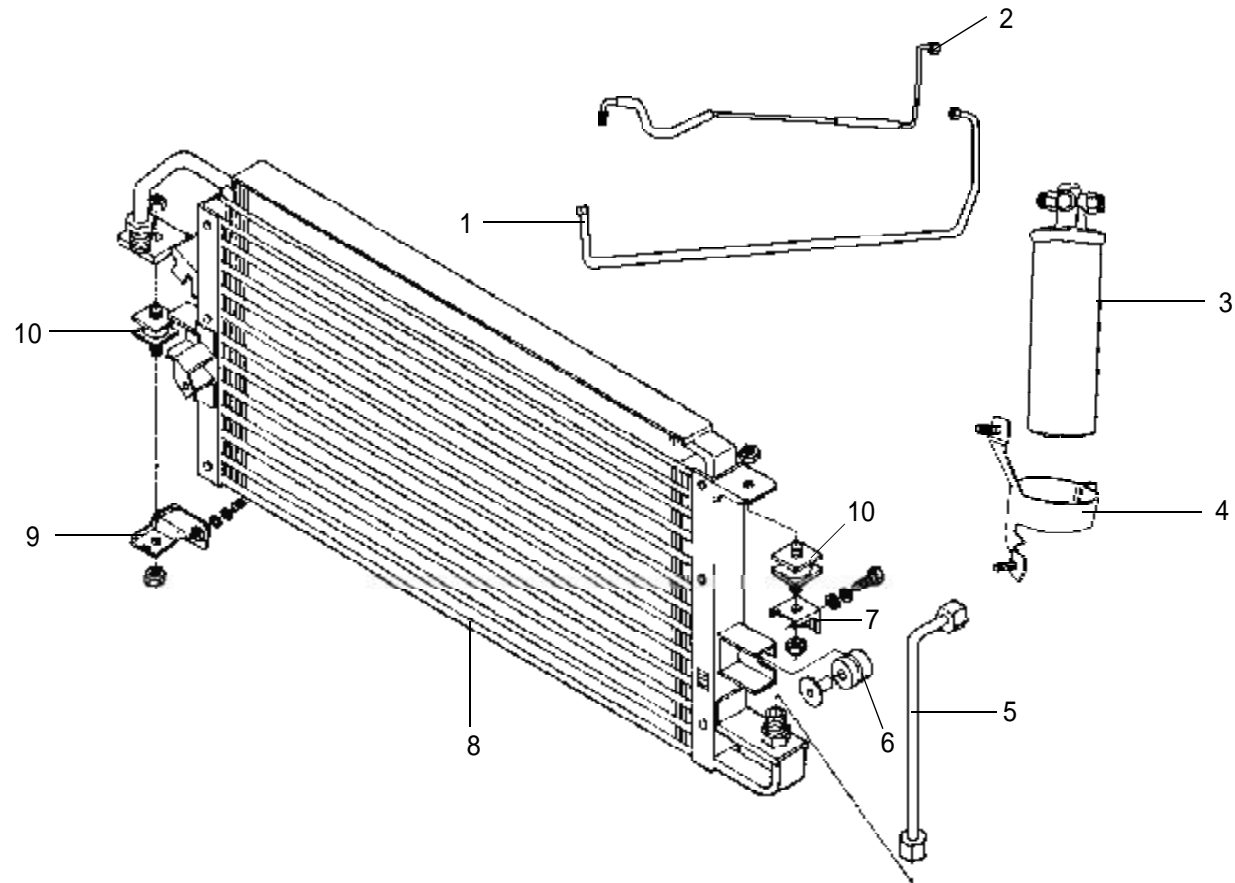
序号 S/N	零部件代号 PART CODE	零部件名称 PART NAME	用量 QTY	适用车型 VEHICLE APPLICABLE TO	备注 REMARK
1	6307011-F00	后背门上框呢槽 UPPER FRAME RUN CHANNEL, TAIL DOOR	1	F00 F01 F02 F03 F04 F05	
2	6302106-F00	后背门上框装饰卡扣 3 UPPER FRAME TRIM CLIP NO.3, TAIL DOOR	4		
3	6302107-F00	后背门上框装饰卡扣 4 UPPER FRAME TRIM CLIP NO.4, TAIL DOOR	6		
4	6302201-F00	后背门上装饰框方扣 L-1 UPPER FRAME TRIM CLIP L-1, TAIL DOOR	11		
5	6302104-F00	后背门左上装饰框卡扣 1 UPPER FRAME TRIM CLIP 1, TAIL DOOR	1		
	6302105-F00	后背门右上装饰框卡扣 1 UPPER FRAME TRIM CLIP 1, TAIL DOOR	1		
6	6302108-F00	后背门上装饰框卡扣 5 UPPER FRAME TRIM CLIP 5, TAIL DOOR	1		
7	6302103-F00	后玻璃导槽 TAIL DOOR GLASS RUN CHANNEL	1		
8	6302101-F00	后背门左上装饰框 LEFT UPPER FRAME TRIM, TAIL DOOR	1		
9	6302102-F00	后背门右上装饰框 RIGHT UPPER FRAME TRIM, TAIL DOOR	1		



尾翼 TAIL SPOILER



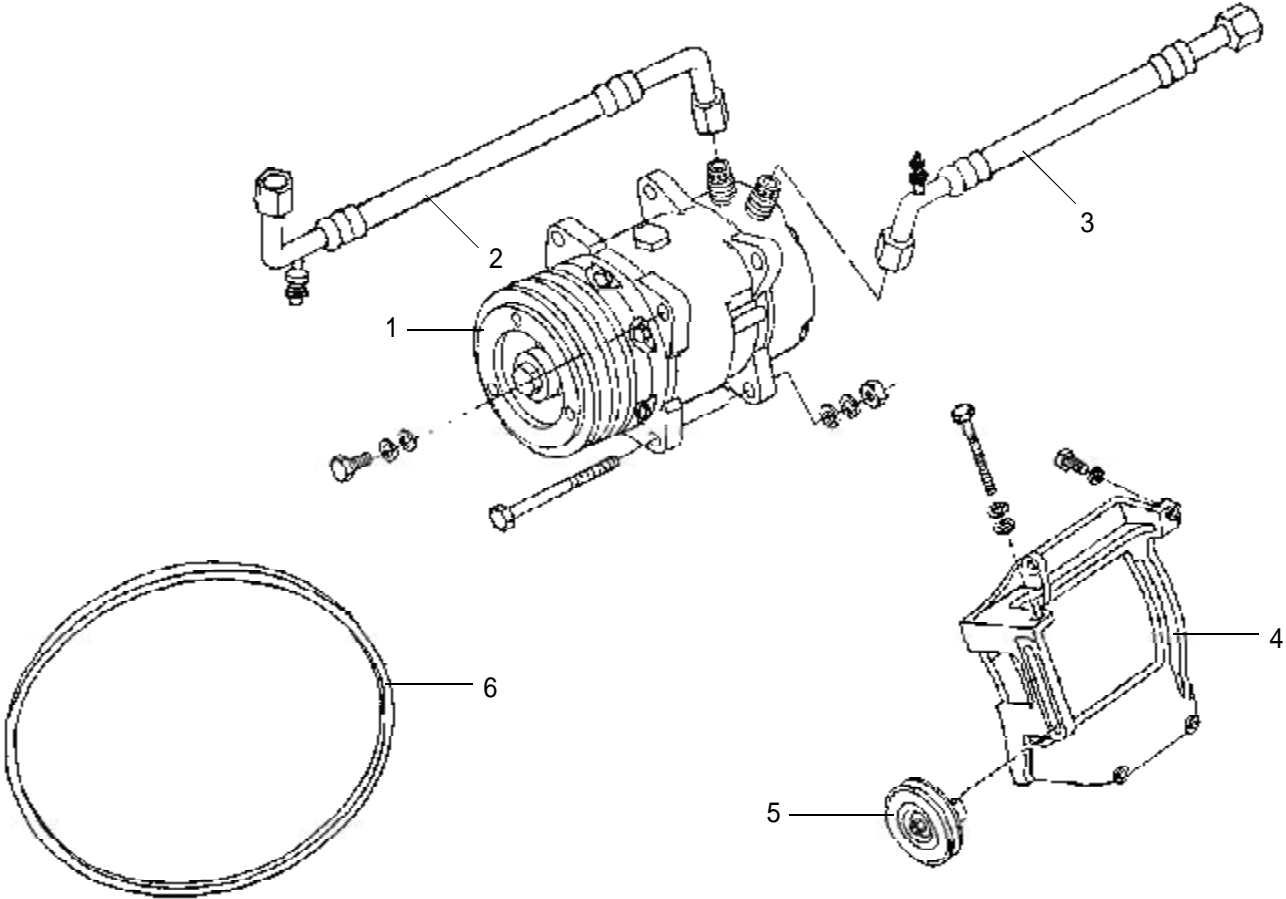
空调（一）——冷凝器、储液干燥器组件
A/C (1) – CONDENSER AND RECEIVER DRYER



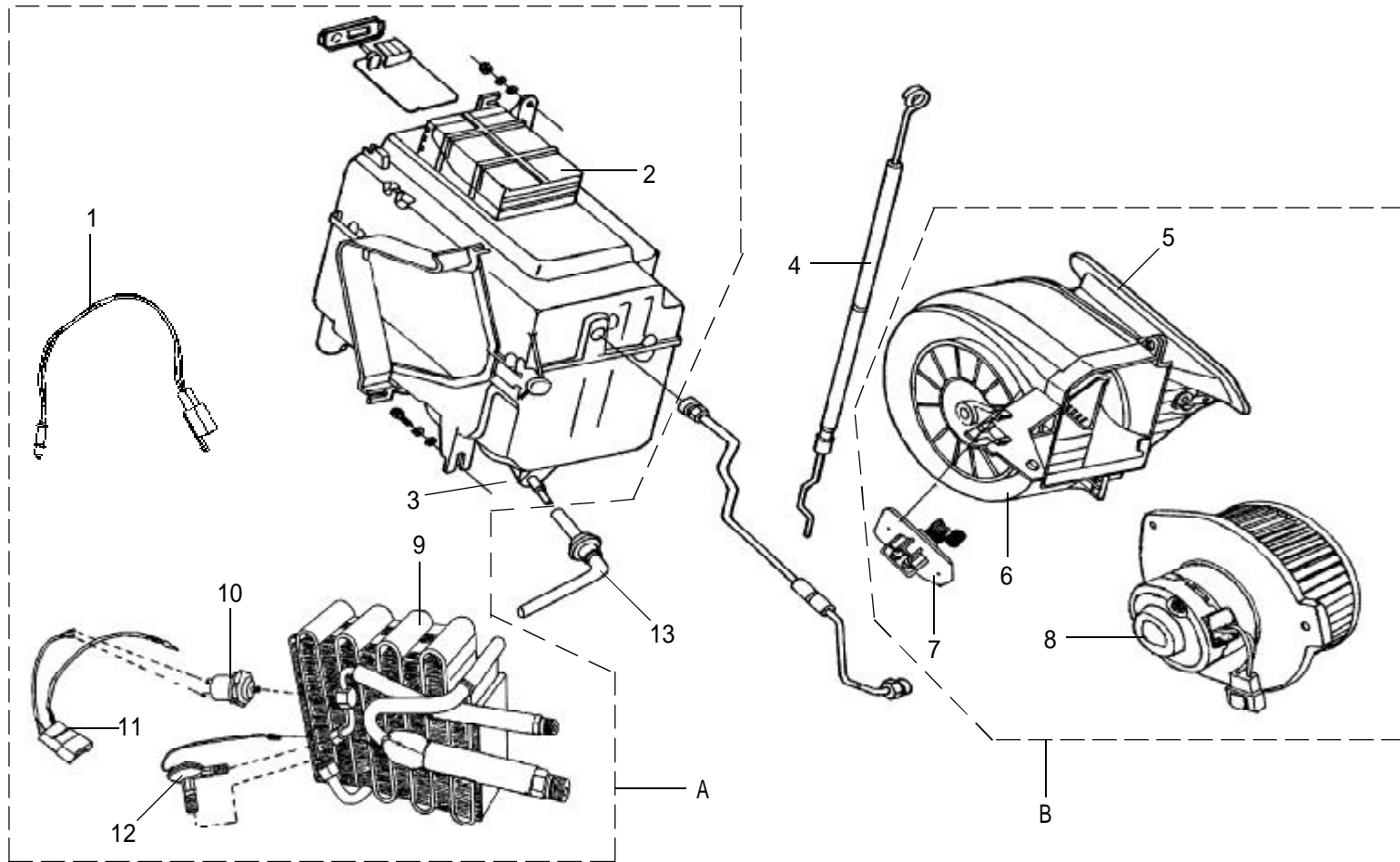
空调（一）——冷凝器、储液干燥器组件
A/C (1) –CONDENSER AND RECEIVER DRYER

序号 S/N	零部件代号 PART CODE	零部件名称 PART NAME	用量 QTY	适用车型 VEHICLE APPLICABLE TO	备注 REMARK
	8105000-F00	冷凝器总成 CONDENSER ASSEMBLY (MODEL 2004,WITH LIQUID STORAGE TANK)	1	F00 F01 F04 F05	2004 款含储液罐和管
1	8108500-D01	储 - 蒸 高压 硬管 总成一 HIGH PRESSURE PIPE NO.1 ASSEMBLY ,RECEIVER DRYER TO EVAPORATOR (MODEL 2003)	1	F00 F02	2003 款
	8108400-F00	储 - 蒸 高压 硬管 总成一 HIGH PRESSURE PIPE NO.1 ASSEMBLY ,RECEIVER DRYER TO EVAPORATOR (MODEL 2004)		F00 F01 F04 F05	2004 款
2	8108600-D01	储 - 蒸 高压 硬管 总成二 HIGH PRESSURE PIPE NO.2 ASSEMBLY ,RECEIVER DRYER TO EVAPORATOR (MODEL 2003)	1	F00 F02	2003 款
	8105200-F00	储 - 蒸 高压 硬管 总成二 HIGH PRESSURE PIPE NO.2 ASSEMBLY ,RECEIVER DRYER TO EVAPORATOR (MODEL 2004, FORM CONDENSER TO EVAPORATOR)		F00 F01 F04 F05	2004 款,冷凝器至蒸发器
3	8109100-D01	储液干燥器组件 RECEIVER DRYER KIT	1	F00 F02	
	8109100-F00	储液干燥器组件 RECEIVER DRYER KIT (MODEL 2004)		F00 F01 F04 F05	2004 款
4	8111012-D01	储液干燥器固定支架 MOUNTING BRACKET,RECEIVER DRYER	1	F00 F02 F04 F05	
5	8108400-D01	储-冷高压硬管总成 HIGH PRESSURE PIPE ASSEMBLY,RECEIVER DRYER TO CONDENSER (MODEL 2003)	1	F00 F04 F05	2003 款
6	8105016-D01	上支架减震垫 DAMPING CUSHION ,UPPER BRACKET	2	F00 F02 F04 F05	
7	8105011-D01	90° 减震支架 DAMPING BRACKET,90°	1		
8	8105000-D01	冷凝器总成 CONDENSER ASSEMBLY (MODEL 2003)	1		
	8105000-F02	冷凝器总成 CONDENSER ASSEMBLY (MODEL 2002)		F00 F01 F04 F05	2002 款
9	8105012-D01	120° 减震支架 DAMPING BRACKET,120°	1	F00 F02 F04 F05	
10	8105013-D01	方减震垫 SQUARE CUSHION (SHORT)	2		短

空调（二）——制冷压缩机总成 A/C (2) – COMPRESSOR ASSEMBLY



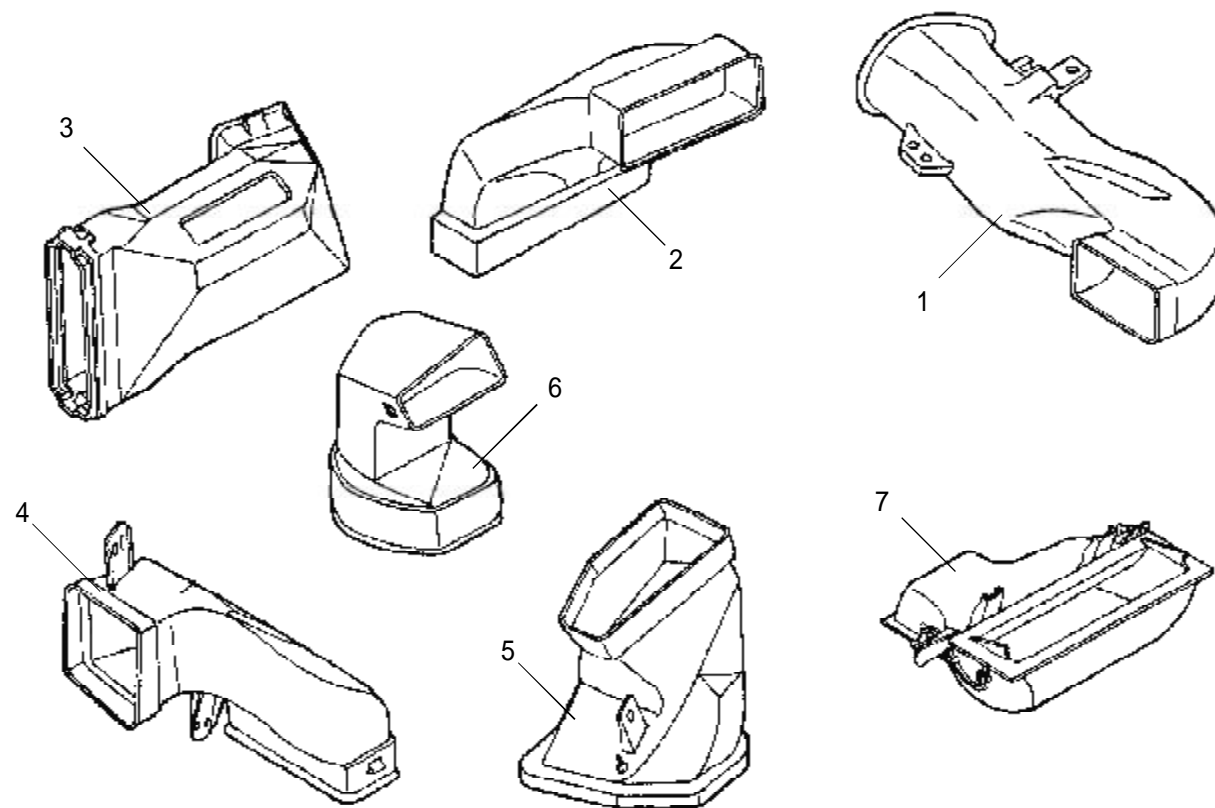
空调（三）——蒸发器及鼓风机 A/C (3) – EVAPORATOR AND BLOWER



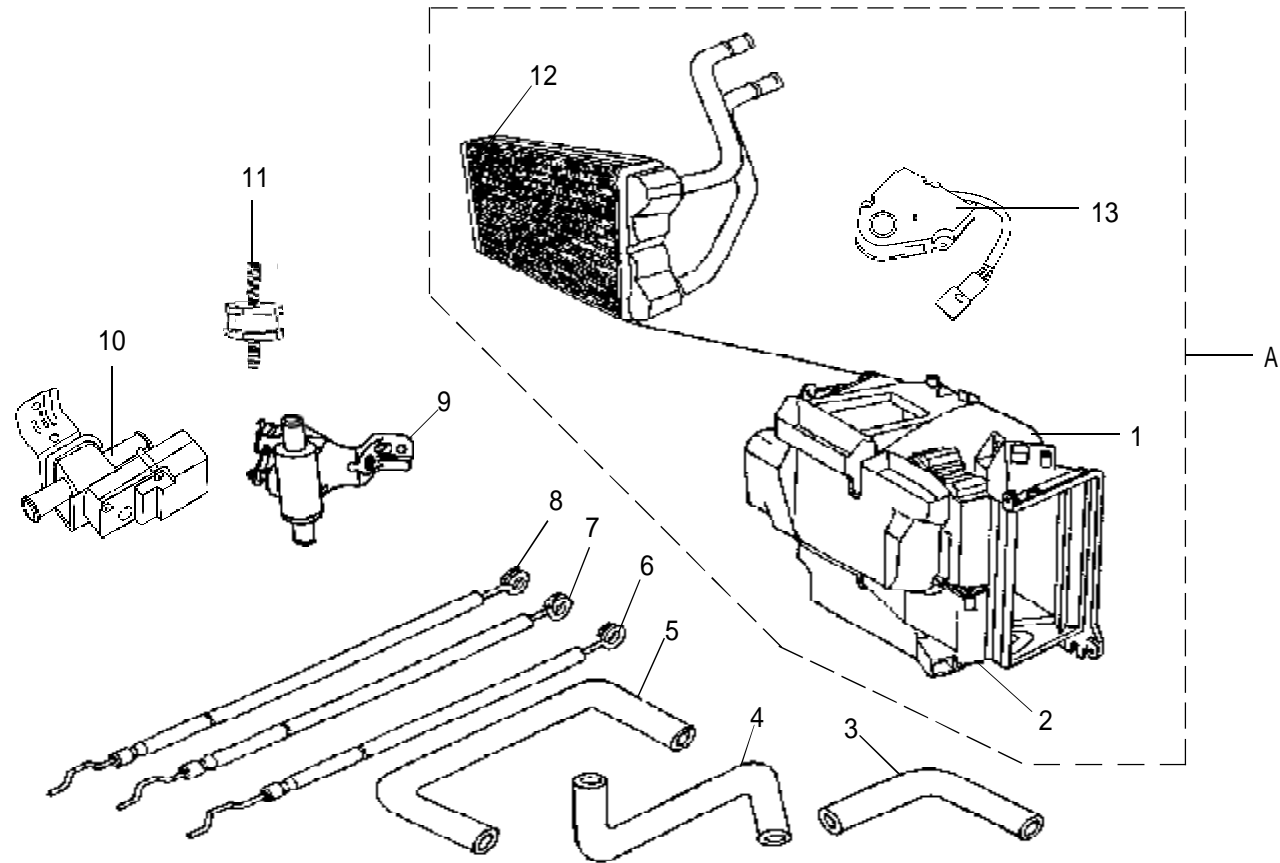
空调（三）—— 蒸发器及鼓风机 A/C (3) – EVAPORATOR AND BLOWER

序号 S/N	零部件代号 PART CODE	零部件名称 PART NAME	用量 QTY	适用车型 VEHICLE APPLICABLE TO	备注 REMARK
A	8107000-D01	蒸发器总成 EVAPORATOR ASSEMBLY	1	F00 F02	R134A
	8107000-F00	蒸发器总成 EVAPORATOR ASSEMBLY (MODEL 2004,WITH EXPANSION VALVE, PRESSURE SWITCH)		F00 F01 F04 F05	2004 款,带膨胀阀,压力开关
B	8104000-F00	鼓风机总成 BLOWER ASSEMBLY (2004 TYPE)	1		2004 款
	8104000-D01	鼓风机总成 BLOWER ASSEMBLY		F00 F02	
1	3809012-D01	室内温度传感器 INDOOR TEMPERATURE SENSOR (DACHUAN)		F00 F01 F02 F03 F04 F05	大川
2	8107011-D01	蒸发器上壳体 UPPER HOUSING,EVAPORATOR	1	F00 F02 F04 F05	
3	8107012-D01	蒸发器下壳体 LOWER HOUSING,EVAPORATOR	1		
4	8112018-D01	控制拉线四 CONTROL CABLE NO.4	1		
5	8104011-F00	鼓风机上壳体 UPPER HOUSING,BLOWER	1		
6	8104012-F00	鼓风机下壳体 LOWER HOUSING,BLOWER	1		
7	8104200-D01	调速电阻组件 SPEED REGULATOR RESISTOR KIT	1		
	8104200-F00	调速电阻组件 SPEED REGULATOR RESISTOR KIT (MODEL 2004, POWER MODULE)		F00 F01 F04 F05	2004 款,功率模块
8	8104000-D01	鼓风机电机组件 BLOWER MOTOR KIT	1	F00 F02 F04 F05	
9	8107100-D01	蒸发器芯体组件 EVAPORATOR CORE KIT(R134A)	1		R134A
10	8107150-D22	压力开关组件 PRESSURE SWITCH KIT	1		
11	8107130-D01	热敏电阻组件 THERMAL RESISTOR KIT	1	F00 F02	
	8107130-F00	热敏电阻组件 THERMAL RESISTOR KIT (MODEL 2004)		F00 F01 F04 F05	2004 款
12	8107120-D01	膨胀阀 EXPANSION VALVE (R134A) (R134A)	1	F00 F02 F04 F05	R134A
13	8111011-D01	滴水管 WATER DRAIN HOSE	1		

空调（四）——风道 A/C(4) – AIR TUNNEL



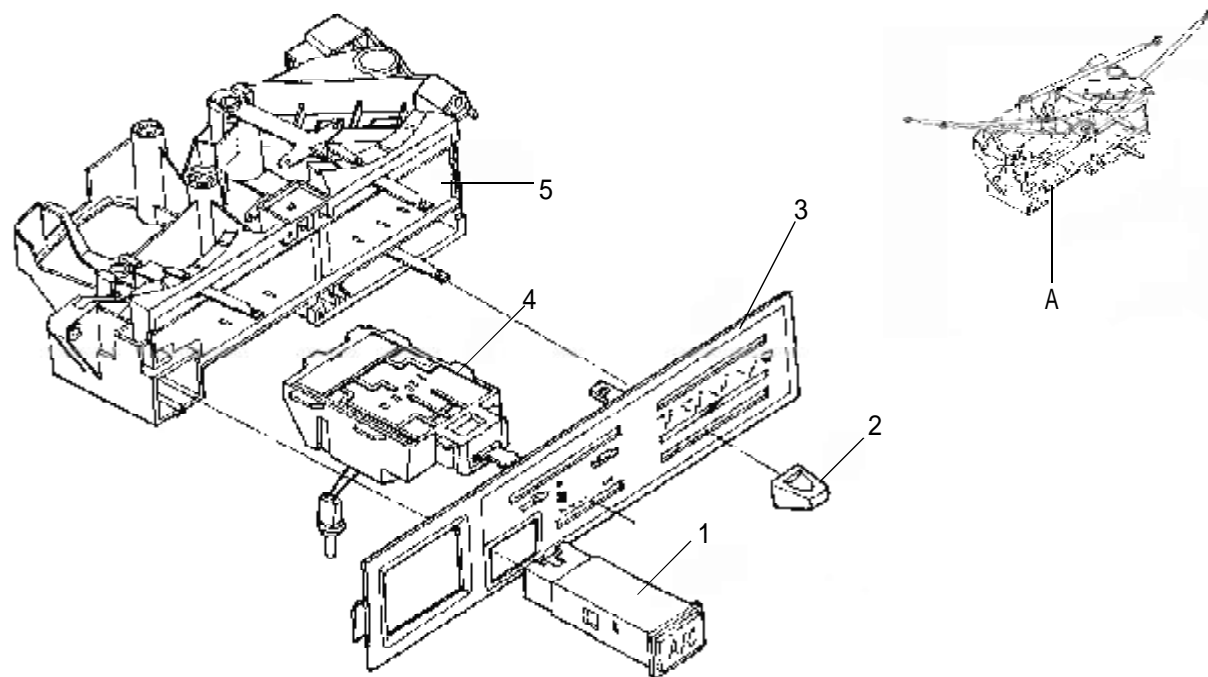
空调（五）——暖风水箱总成
A/C (5) – HEAT RADIATOR ASSEMBLY



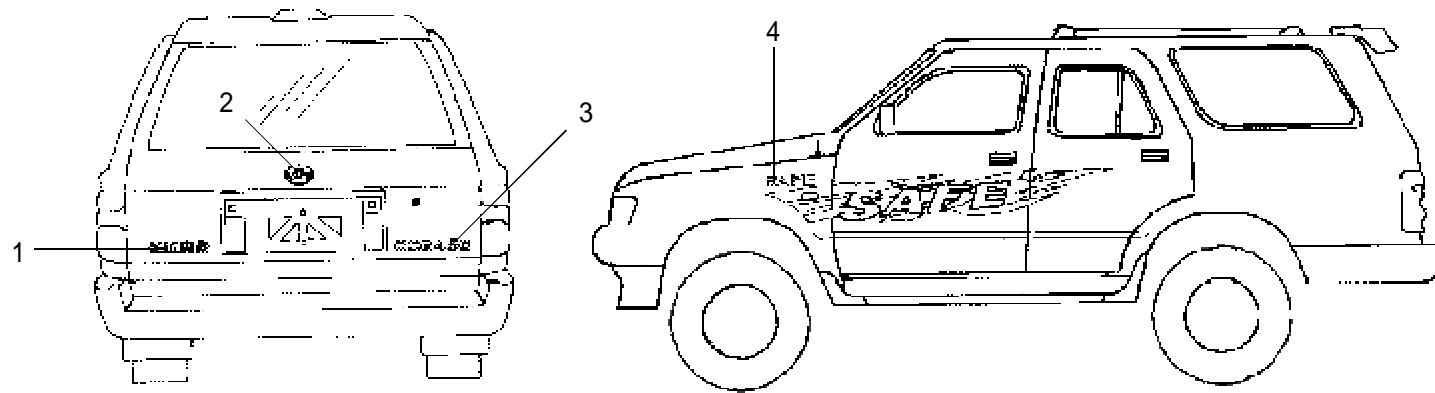
空调（五）—— 暖风水箱总成 A/C (5) – HEAT RADIATOR ASSEMBLY

序号 S/N	零部件代号 PART CODE	零部件名称 PART NAME	用量 QTY	适用车型 VEHICLE APPLICABLE TO	备注 REMARK
A	8101000-D01	暖风机总成 HEATER ASSEMBLY	1	F00 F01	
	8101000-F00	暖风机总成 HEATER ASSEMBLY (MODEL 2004 ,WITH CONTROL MOTOR)		F00 F01 F04 F05	2004 款,带控制电机
1	8101011-D01	暖风机上壳体 UPPER CASE,HEATER	1		
2	8101012-D01	暖风机下壳体 LOWER CASE, HEATER	1		
3	8101071-D01	暖水管一 WARM WATER PIPE NO.1	1		
4	8101073-D01	暖水管三 WARM WATER PIPE NO.3	1		
5	8101072-D01	暖水管二 WARM WATER PIPE NO.2	1		
6	8112016-D01	控制拉线二 CONTROL CABLE NO.2	1		
7	8112017-D01	控制拉线三 CONTROL CABLE NO.3	1		
8	8112015-D01	控制拉线一 CONTROL CABLE NO.1	1		
9	8111400-D01	水阀组件 HOT WATER SWITCH (CERAMICS)	1	F00 F01	陶瓷
10	8111200-F00-B1	水阀组件 HOT WATER SWITCH (MODEL 2004, INNER SOCKET)	1		2004 款,内插头式
	8111200-F00-C1	水阀组件 HOT WATER SWITCH (MODEL 2004, OUTER SOCKET)		F00 F01 F04 F05	2004 款,外插头式
11	8111015-D01	方减震垫 SQUARE CUSHION (LONG)	1	F00 F01 F04 F05	长
12	8101100-D01	暖风机芯体组件 HEATER CORE KIT	1		
13	8104200-F00-B1	内外循环伺服电机 MOTOR, AIR DOOR (MODEL 2004, MECHANISM)	1	F00 F01	2004 款,机械式
	8104200-F00-C1	内外循环伺服电机 MOTOR, AIR DOOR (MODEL 2004, SEMI-INTELLIGENT)		F00 F01 F04 F05	2004 款,半智能

空调（六）——控制操纵器总成 A/C (6) – CONTROLLER ASSEMBLY



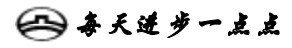
车标 VEHICLE LOGO



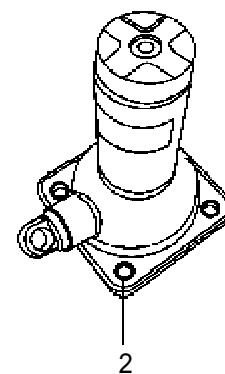
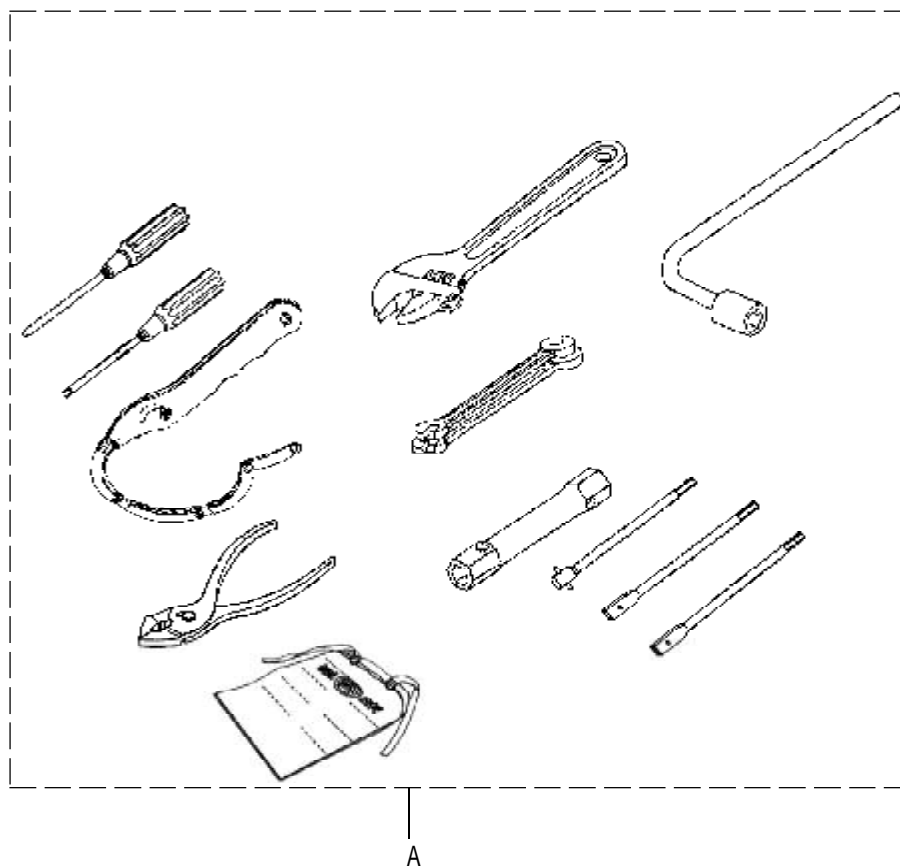
406

车标 VEHICLE LOGO

序号 S/N	零部件代号 PART CODE	零部件名称 PART NAME	用量 QTY	适用车型 VEHICLE APPLICABLE TO	备注 REMARK
1	3921013-F00	“长城赛弗”标 LABEL "GREAT WALL SAFE"	1	F00 F01 F02 F03	
	3921022-F00	“SUV”标 LABEL "SUV"	1		
2	3921014-F00	尾标 TAIL LABEL	1	F00 F01 F02 F03 F04 F05	
3	3921011-F02	“CC6450Y”标 LABEL “CC6450Y”	2	F03	
	3921012-F02	“CC6470”标 LABEL “CC6470”		F02	
	3921013-F02	“CC6450”标 LABEL“ CC6450 ”			
	3921012-F00	“CC6460D”标 LABEL“ CC6460D”		F00	
	3921012-F04	“CC6460D-3”标 LABEL“ CC6460D-3”		F04	
	3921012-F05	“CC6460DY-3”标 LABEL“ CC6460DY-3”		F05	
	3921016-F00	“CC6450B”标 LABEL “CC6450B ”		F00	
	3921017-F00	“CC6450BY”标 LABEL “CC6450BY”		F01	
	3921018-F00	“CC6470B”标 LABEL“ CC6470B”		F00	
	3921019-F00	“CC6470BY”标 LABEL “CC6470BY ”		F01	
	3921021-F00	“CC6460DY”标 LABEL “CC6460DY ”			
4	3921011-F00	“SAFE”标 LABEL “SAFE ”	2	F00 F01 F02 F03 F04 F05	



随车工具总成 TOOLS ASSEMBLY



彩条（一） DECORATION RIBBON (1)



1. 车身彩条(长颈鹿式) DECORATION RIBBON (CAMELOPARD)



2. 车身彩条(翅膀式) DECORATION RIBBON (WING)



3. 车身彩条(火凤式) DECORATION RIBBON (FIRE PHOENIX)



4. 车身彩条(刀形) DECORATION RIBBON (CUTTELLATE)



5. 车身彩条(商务车 I 款) DECORATION RIBBON (MODEL I)



6. 车身彩条(商务车 II 款) DECORATION RIBBON (MODELII)

410

 每天进步一点点

彩条 (二) DECORATION RIBBON (2)



7. 车身彩条(商务车 III 款) DECORATION RIBBON (MODEL III)



8. 车身彩条(商务车 IV 款 - 字 + 火焰)
DECORATION RIBBON (MODEL IV - FONT + FLAME)



9. 车身彩条(商务车 V 款) DECORATION RIBBON (MODEL V)



10. 车身彩条(商务车 IV 款 - 字)
DECORATION RIBBON (MODEL IV - FONT)



11. 车身彩条(商务车 IV 款 - 火焰)
DECORATION RIBBON (MODEL IV - FLAME)



12. 备胎罩彩条(太阳型) SPARE WHEEL COVER DECORATION RIBBON (MODEL SUN)



13. 备胎罩彩条(滑雪型) SPARE WHEEL COVER DECORATION RIBBON, MODEL SKI)



14. 备胎罩彩条 02 SPARE WHEEL COVER DECORATION RIBBON, MODEL 02



15. 备胎罩彩条 03 字型 SPARE WHEEL COVER DECORATION RIBBON, MODEL 03



16. 备胎罩彩条 05 火焰 SPARE WHEEL COVER DECORATION RIBBON, MODEL 05 FLAME


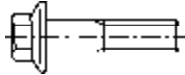
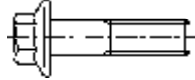
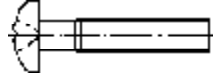

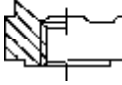

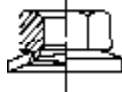
车身彩条 (一) (二) DECORATION RIBBON (1) (2)

序号 NO.	零部件代号 ITEM CODE	零部件名称 PART NAME	用量 QTY	适用车型 VEHICLE APPLICABLE TO	备注 NOTE
1	8200011-F00-1005	车身彩条 DECORATION RIBBON(CAMELOPARD)	1	F00 F01	长颈鹿式
2	8200012-F00-0409	车身彩条 DECORATION RIBBON (WING, GREEN)	1	F00 F01	翅膀式-绿
	8200012-F00-1209	车身彩条 DECORATION RIBBON (WING, SILVER GREEN)			翅膀式-银灰
	8200013-F00-1005	车身彩条 DECORATION RIBBON (WING, GOLD)			翅膀式-金色
3	8200034-F00-0409	车身彩条 DECORATION RIBBON (GREEN FIRE PHOENIX)	1	F00 F01	绿火风式
	8200035-F00-0110	车身彩条 DECORATION RIBBON (RED FIRE PHOENIX)			红火风式
	8200036-F00-1005	车身彩条 DECORATION RIBBON (GOLD FIRE PHOENIX)			金火风式
	8200037-F00-0609	车身彩条 DECORATION RIBBON (BLUE FIRE PHOENIX)			蓝火风式
4	8200051-F00-1106	车身彩条 DECORATION RIBBON (CULTELLATE)	1	F00 F01 F02 F03	刀形
5	8200018-F00	车身彩条 DECORATION RIBBON (BUSINESS MOTOR MODEL I)	1	F00 F01 F02 F03	商务车 I 款
6	8200038-F00-49*71	车身彩条 DECORATION RIBBON (BUSINESS MOTOR MODEL II , GREEN/ PURPLE)	1	F00 F01 F02 F03	商务车 II 款-绿/紫
	8200039-F00-B8*A5	车身彩条 DECORATION RIBBON (COMMERCIAL VEHICLE MODEL II , DARK SILVER/ GOLD)			商务车 II 款-深银/金
	8200041-F00-4F*A5	车身彩条 DECORATION RIBBON (COMMERCIAL VEHICLE MODEL II , DARK GREEN GOLD)			商务车 II 款-深绿/金
	8200042-F00-49*A5	车身彩条 DECORATION RIBBON (COMMERCIAL VEHICLE MODEL II , GREEN/ GOLD)			商务车 II 款-绿/金
	8200043-F00-49*A5	车身彩条 DECORATION RIBBON (COMMERCIAL VEHICLE MODEL II , GOLD/ BLUE)			商务车 II 款-金/蓝
7	8200019-F00	车身彩条 DECORATION RIBBON (COMMERCIAL VEHICLE MODEL III)	1	F00 F01 F02 F03	商务车 III 款
8	8200022-F00-0409	车身彩条 DECORATION RIBBON (COMMERCIAL VEHICLE MODEL IV-GOLD FONT+ GREEN FLAME)	1	F00 F01 F02 F03	商务车 IV 款-金字+绿火焰
	8200023-F00-0110	车身彩条 DECORATION RIBBON (COMMERCIAL VEHICLE MODEL IV-RED FONT+ RED FLAME)			商务车 IV 款-红字+红火焰



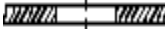

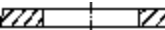
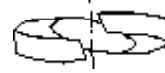

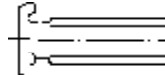
车身彩条 (一) (二) DECORATION RIBBON (1) (2)

序号 NO.	零部件代号 ITEM CODE	零部件名称 PART NAME	用量 QTY	适用车型 VEHICLE APPLICABLE TO	备注 NOTE
8	8200024-F00-0609	车身彩条 DECORATION RIBBON (BUSINESS MOTOR MODEL IV-GOLD FONT+ BLUE FLAME)	1		商务车IV款-金字+蓝火焰
9	8200029-F00-0110	车身彩条 DECORATION RIBBON (BUSINESS MOTOR MODEL V- RED FLAME)	1	F00 F01 F02 F03	商务车 V 款-红火焰
	8200031-F00-0311	车身彩条 DECORATION RIBBON (BUSINESS MOTOR MODEL V- YELLOW FLAME)			商务车 V 款-黄火焰
	8200032-F00-0701	车身彩条 DECORATION RIBBON (BUSINESS MOTOR MODEL V- PURPLE FLAME)			商务车 V 款-紫火焰
	8200033-F00-0609	车身彩条 DECORATION RIBBON (BUSINESS MOTOR MODEL V- BLUE FLAME)		F00 F01 F02 F03	商务车 V 款-蓝火焰
10	8200021-F00-0110	车身彩条 DECORATION RIBBON (BUSINESS MOTOR MODEL IV-RED FONT)	1	F00 F01 F02 F03	商务车IV款-红字
	8200025-F00-1005	车身彩条 DECORATION RIBBON (BUSINESS MOTOR MODEL IV-GOLD FONT)			商务车IV款-金字
11	8200026-F00-0110	车身彩条 DECORATION RIBBON (BUSINESS MOTOR MODEL IV- RED FLAME)	1	F00 F01 F02 F03	商务车IV款红火焰
	8200027-F00-0409	车身彩条 DECORATION RIBBON (BUSINESS MOTOR MODEL IV- GREEN FLAME)			商务车IV款绿火焰
	8200028-F00-0701	车身彩条 DECORATION RIBBON (BUSINESS MOTOR MODEL IV- PURPLE FLAME)			商务车IV款紫火焰
12	8200048-F00	车身彩条 DECORATION RIBBON (SPARE WHEEL COVER DECORATION RIBBON, MODEL SUN)	1	F00 F01 F02 F03	备胎罩彩条 ((太阳型))
13	8200049-F00	车身彩条 DECORATION RIBBON (SPARE WHEEL COVER DECORATION RIBBON, MODEL SKI)	1	F00 F01 F02 F03	备胎罩彩条 ((滑雪型))
14	8200045-F00	车身彩条 DECORATION RIBBON (SPARE WHEEL COVER DECORATION RIBBON, MODEL 02)	1	F00 F01 F02 F03	备胎罩车身彩条 02
15	8200046-F00	车身彩条 DECORATION RIBBON (SPARE WHEEL COVER DECORATION RIBBON, MODEL 03)	1	F00 F01 F02 F03	备胎罩彩条 03 字型
16	8200047-F00	车身彩条 DECORATION RIBBON (SPARE WHEEL COVER DECORATION RIBBON, MODEL 05 FLAME)	1	F00 F01 F02 F03	备胎罩彩条 05 火焰

标准件附录 STANDARD PARTS APPENDIX

序号 S/N	汽车专业代号 AUTOMOBILE SPECIALISED CODE	标准号 STANDARD CODE	名称 DENOMINATION	简图 DIAGRAM
1	Q150B	ISO 4014 - 1988 (GB/T 5782)	六角头螺栓 Hex Bolt	
2	Q184	GB/T 16674 - 1996	六角法兰面螺栓 hex flange bolt	
3	Q183	Q186GB/T5789 - 1986	六角法兰面螺栓 - 加大系列 hex flange bolt oversize series	
4	Q214	Q214ISO 7045 - 1994 (GB/T 818)	十字槽盘头螺钉 Cross Slot Screw	
5	Q220	GB/T 9074.18 - 1988	十字槽盘头自攻螺钉和平垫圈组合 Cross Slot Self-tapping Screw And plain Washer Assembly	
6	Q371	GB/T 13680 - 1992	焊接方螺母 Weldment Phon Bolt	
7	Q330	ISO 7074: 1997 (GB/T 6187)	全金属六角法兰面锁紧螺母 Full Metal Hex Flange Lock Nut	
8	Q322	QC/T607-1999	六角螺母和锥形弹性垫圈组合件 Hex Nut And Taper Spring Washerassembly	

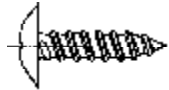
标准件附录 STANDARD PARTS APPENDIX

序号 S/N	汽车专业代号 AUTOMOBILE SPECIALISED CODE	标准号 STANDARD CODE	名称 DENOMINATION	简图 DIAGRAM
9	Q321	QC/T613-1999	六角法兰面自排屑螺母 Hexagon Flange Self-Discharging Nut	
10	Q320	ISO 4161:1999 (QC/T 6177)	六角法兰面自排屑螺母 Hexagon Flange Self- Discharging Nut	
11	Q402	GB/T 96-1985	大垫圈 Large Washer	
12	Q401	GB/T 95-1985	平垫圈 Plain Washer	
13	Q407	GB/T 9074.24-1988	组合件用平垫圈 Assembly Plain Washer	
14	Q406	GB/T 9074.26-1988	组合件用弹簧平垫圈 Assembly Spring Plain Washer	
15	Q403	GB/T 93-1987	弹簧垫圈 Spring Washer	
16	Q198	QC/T 598 - 1999	承面凸焊螺栓 Bearing Weldment Bolt	

标准件附录 STANDARD PARTS APPENDIX

序号 S/N	汽车专业代号 AUTOMOBILE SPECIALISED CODE	标准号 STANDARD CODE	名 称 DENOMINATION	简 图 DIAGRAM
17	Q436	GB/T 896 - 1986	开口挡圈 Cotter Shield Ring	
18	Q236	GB/T 9074.4 - 1988	十字槽盘头螺钉、弹簧垫圈和平垫圈组合件 Cross Slot Screw, Spring Washer And Plain Washer Assembly	
19	Q261	GB/T 6563 - 1986	六角头自攻锁紧螺钉 Hex Self-tapping Lock Screw	
20	Q271	GB/T 845 - 1985	十字槽盘头自攻螺钉 - C 型 Cross Slot Self-tapping Screw - C Type	
21	Q230	GB/T 9074.1 - 1988	十字槽盘头螺钉和平垫圈组合件 Cross Slot Screw And Plain Washer assembly	
22	Q254	ISO7046-1994	十字槽沉头螺栓 Cross Slot Bolt	
23	Q262	GB/T 6560-1986	十字槽盘头自攻锁紧螺钉 Cross Slot Self-tapping Lock Screw	
24	Q272	GB/T 845 - 1985	十字槽盘头自攻锁紧螺钉 - F 型 Cross Slot Self-tapping Lock Screw - F Type	

标准件附录 STANDARD PARTS APPENDIX

序号 S/N	汽车专业代号 AUTOMOBILE SPECIALISED CODE	标准号 STANDARD CODE	名 称 DENOMINATION	简 图 DIAGRAM
25	Q273	QC/T 602 - 1999	十字槽大半圆头自攻螺钉 Cross Slot Self-tapping Screw	
26	Q276	GB/T 847 - 1985	十字槽半沉头自攻螺钉 - C型 Cross Slot Self-tapping Screw-C Type	