

# 前 言

《风骏系列车型零部件手册》可提供国内外广大用户选购零部件时参考，也可帮助您了解各零部件之间的装配关系和整车结构；它适用车型：CC1031PS40、CC1031PS41、CC1031PS60、CC1031PS50、CC1031PS51、CC1031PS70（详见“车型特征说明表”）。

请您按以下顺序查找您所需的零部件：目录→插图索引→零部件分解图→零部件编号、零部件名称；“分解图号码索引”可以帮助您了解所需零部件所在的分解图，而书后的“标准件简图说明”可以帮助您确定所需标准件的标号、名称等。

随着技术的发展和用户需求的不断变化，某些零部件可能会相应变更，本零部件手册仅以现行产品为准，对今后的变更不做另行通知。

虽然我们尽力认真编绘本图册，但不能保证所有内容完全正确无误。我们必须保留供货范围、装备和技术方面的修改权。因此，用户不得以本图册中的零件明细表和图解为根据提出任何要求。对于使用本图册而造成的损失，我们皆不负直接和间接责任。

未经长城汽车股份有限公司同意，不得将本图册翻版、出版。

长城汽车股份有限公司确保法律规定的有关版权的一切权力，保留更改权和解释权。

长城汽车股份有限公司

二零零六年七月

## PREFACE

WINGLE SERIES PARTS MANUAL IS AVAILABLE FOR REFERENCE BY QUITE A FEW DOMESTIC AND FOREIGN USERS WHEN THEY PURCHASE PARTS, AND ALSO PROVIDES YOU A THOROUGH UNDERSTANDING OF THE ASSEMBLY RELATIONS AMONG PARTS AND THE COMPLETE VEHICLE STRUCTURE. APPLICABLE TO SUCH MODELS: CC1031PS40、CC1031PS41、CC1031PS60、CC1031PS50、CC1031PS51、CC1031PS70 (FOR DETAILS, SEE MODEL INTRODUCTION LIST)

PLEASE FIND THE NEEDED PARTS IN THE FOLLOWING ORDER: CONTENT → FIGURE INDEX → PARTS EXPLODED VIEW → PARTS NAME CORRESPONDING TO PARTS CODE; INDEX OF FIGURE NUMBER CAN HELP YOU KNOW THE EXPLODED VIEW OF THE NEED PARTS, THE SIMPLIFIED DIAGRAM INSTRUCTION FOR STANDARD PARTS AT THE END OF THE BOOK CAN HELP YOU FIND STANDARD CODE AND DENOMINATION OF THE NEEDED STANDARD PARTS.

SOME PARTS MIGHT BE MODIFIED TO KEEP UP WITH THE DEVELOPMENT OF TECHNOLOGY AS WELL AS TO MEET VARYING DEMANDS OF USERS, THIS PARTS MANUAL IS ONLY BASED ON CURRENT PRODUCTS, AND FURTHER NOTICES SHALL NOT BE MADE FOR FUTURE CHANGES.

WE SHALL NOT GUARANTEE ALL THE CONTENTS FULLY RIGHT WITHOUT FAULT ALTHOUGH WE HAVE TRIED TO COMPILE AND DRAW THE ILLUSTRATED MANUAL CAREFULLY. AND WE MUST RESERVE THE RIGHT TO MAKE CHANGES IN THE SCOPE OF SUPPLY, INSTALLATION, AND TECHNOLOGY. THEREFORE, USERS SHALL NOT PUT FORWARD ANY REQUIREMENT WITH RESPECT TO THE PARTS LISTS AND ILLUSTRATIONS IN THIS ILLUSTRATED MANUAL. AND WE SHALL NOT BEAR ANY DIRECT OR INDIRECT RESPONSIBILITY FOR THE LOSS CAUSED BY USE OF THIS ILLUSTRATED MANUAL.

NO PART OF THIS ILLUSTRATED MANUAL MAY BE COPIED OR REPRODUCED, OR PUBLISHED WITHOUT PRIOR CONSENT OF GREAT WALL AUTOMOBILE HOLDING COMPANY LIMITED.

GREAT WALL AUTOMOBILE HOLDING COMPANY LIMITED GUARANTEES ALL THE RIGHTS RELATED TO COPYRIGHT SPECIFIED BY LAW, AND RESERVES THE RIGHTS OF MODIFICATION AND INTERPRETATION.

GREAT WALL AUTOMOBILE HOLDING COMPANY LIMITED

JULY 2006

## 目 录

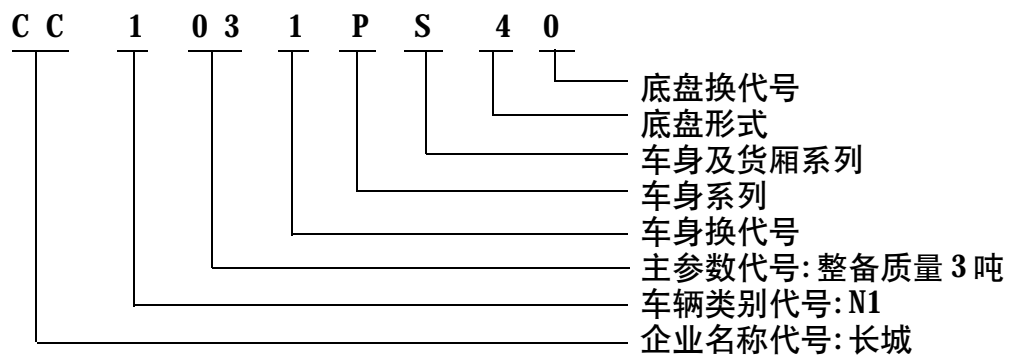
1. 前言 .....	1
2. 车型特征说明 .....	4
3. 插图及内容说明	
插图使用说明 .....	6
本文中的内容说明 .....	8
4. 插图索引 .....	12
5. 分解图号码索引 .....	19
6. 正文 .....	23
7. 标准件简图说明 .....	200

## CONTENTS

1. PREFACE .....	2
2. MODEL CHARACTERISTICS INSTRUCTION .....	5
3. INSTRUCTION OF FIGURE AND CONTENT	
HOW TO USE THE FIGURE .....	7
EXPLANATION OF CONTENT OF TEXT .....	9
4. FIGURE INDEX .....	12
5. INDEX OF FIGURE NUMBER .....	19
6. TEXT .....	23
7. THE SIMPLIFIED DIAGRAM INSTRUCTION FOR STANDARD PARTS .....	200

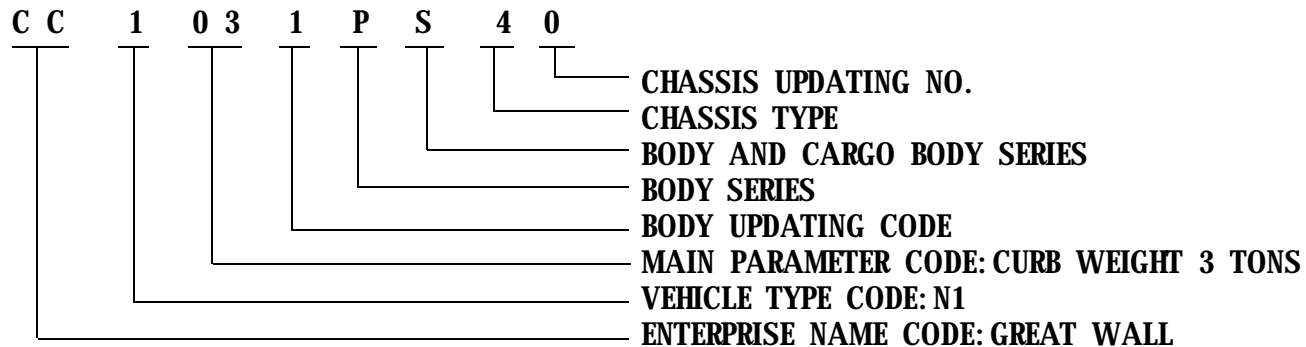
## 车型特征说明

车辆型号	源码	发动机	变速器	前桥	后桥	方向盘	车身	备注	车名
CC1031PS40	P00	GW2.8TC	ZM001M 5档手动	—————	CC1031PS40	左方向盘	CC1031PS40	欧Ⅱ	风骏
CC1031PS41	P01	GW2.8TC	ZM001M 5档手动	—————	CC1031PS41	左方向盘	CC1031PS41	欧Ⅱ	风骏
CC1031PS60	P02	GW2.8TC	ZM001MF 5档手动	CC1031PS60	CC1031PS40	左方向盘	CC1031PS40	欧Ⅱ	风骏
CC1031PS50	P50	GW2.8TC	ZM001M 5档手动	—————	CC1031PS40	右方向盘	CC1031PS50	欧Ⅱ	风骏
CC1031PS51	P51	GW2.8TC	ZM001M 5档手动	—————	CC1031PS41	右方向盘	CC1031PS51	欧Ⅱ	风骏
CC1031PS70	P52	GW2.8TC	ZM001MF 5档手动	CC1031PS60	CC1031PS40	右方向盘	CC1031PS50	欧Ⅱ	风骏



## MODEL CHARACTERISTICS INSTRUCTION

VEHICLE MODEL	SOUND CODE	ENGINE	TRANSMISSION	FRONT AXLE	REAR AXLE	STEERING WHEEL	BODY	REMARK	VEHICLE NAME
CC1031PS40	P00	GW2. 8TC	ZM001M FIVE- SPEED MANUAL	_____	CC1031PS40	LEFT HAND DRIVE	CC1031PS40	EURO II	WINGLE
CC1031PS41	P01	GW2. 8TC	ZM001M FIVE- SPEED MANUAL	_____	CC1031PS41	LEFT HAND DRIVE	CC1031PS41	EURO II	WINGLE
CC1031PS60	P02	GW2. 8TC	ZM001MF FIVE- SPEED MANUAL	CC1031PS60	CC1031PS40	LEFT HAND DRIVE	CC1031PS40	EURO II	WINGLE
CC1031PS50	P50	GW2. 8TC	ZM001M FIVE- SPEED MANUAL	_____	CC1031PS40	RIGHT HAND DRIVE	CC1031PS50	EURO II	WINGLE
CC1031PS51	P51	GW2. 8TC	ZM001M FIVE- SPEED MANUAL	_____	CC1031PS41	RIGHT HAND DRIVE	CC1031PS51	EURO II	WINGLE
CC1031PS70	P52	GW2. 8TC	ZM001MF FIVE- SPEED MANUAL	CC1031PS60	CC1031PS40	RIGHT HAND DRIVE	CC1031PS50	EURO II	WINGLE



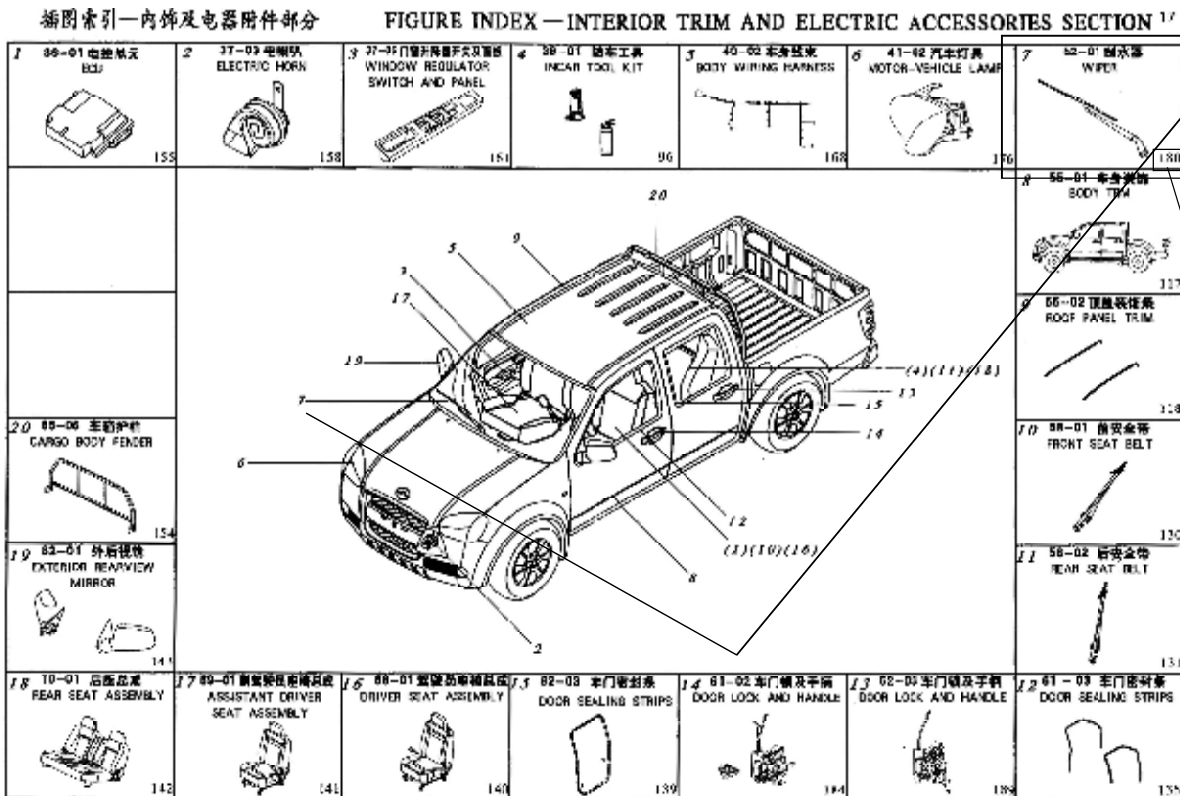
## 插图使用说明

## ①找出有该零件插图的页数

本零件目录前部都列有插图索引。

本图用来查询所需主要零件收录页数。插图分四个部分；即底盘部分，机舱部分，内饰及电器附件部分，钣金件部分。

这辆车需要的是雨刮吧？寻找雨刮零件号的顺序是：



①先由左表中央的总图确认该零件的位置号7。

②接着，再从周围的零件图中找出号码7那部分图。

③从第②项选出的图中可以看出雨刮总成载于第180页。

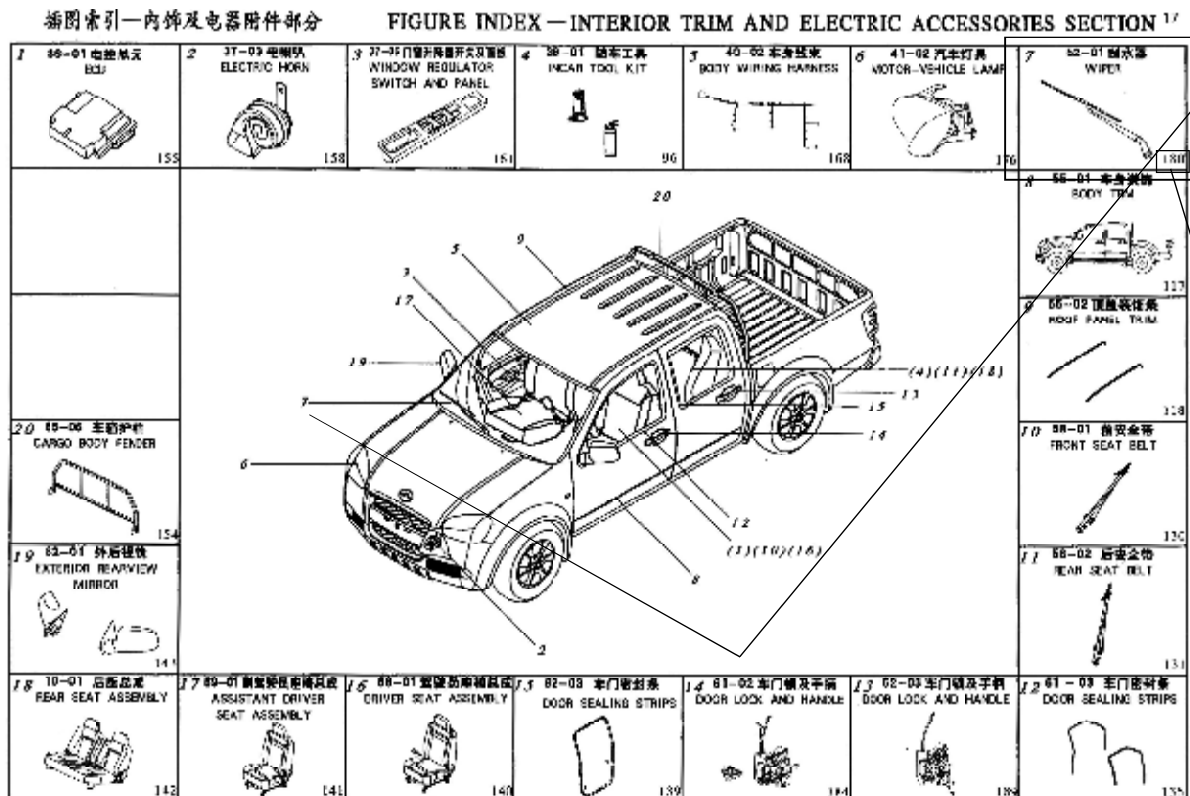
## HOW TO USE THE FIGURE

THE REFERENCE ARE LISTED IN THE FRONT SECTION OF THIS PART CATALOG. 7

### ① FINDING OUT THE PAGE NUMBER IN WHICH THE PART ILLUSTRATES

THIS DRAWING IS USED AS CHECKING ABOUT THE MAIN EMBODIED PARTS PAGES. THE ILLUSTRATION IS DIVIDED INTO FOUR PARTS: CHASSIS SECTION, ENGINE COMPARTMENT SECTION, INTERIOR TRIM AND ELECTRIC ACCESSORIES SECTION SHEET- METAL PARTS SECTION.

WHAT THE VEHICLE REQUIRED IS THE WINDSCREEN WIPER? THE ORDER OF SEARCH THE WINDSCREEN WIPER PARTS IS :



① FIRSTLY, ASCERTAIN THE PART LOCATION FROM THE CENTRE OF THE LEFT DIAGRAM, NUMBER 7.

② THEN, FIND OUT THE DRAWING THAT THE NUMBER 7 CORRESPOND TO FROM THE SURROUNDING PART DRAWINGS.

③ IT IS OBVIOUS THAT THE WINDSCREEN WIPER ASSEMBLY LIE IN THE PAGE 180 FROM THE ITEM ②

## 8 本文中的内容说明

收录的原则是左页为零件分解图，右页为同零件分解图相对应的零件说明内容。

零件目录内容是根据本说明书末尾的图解目录次序记载的。

各页的构成如下。下面将对其具体情况，加以说明。

① 22-01 后桥传动轴总成 REAR AXLE PROPELLER SHAFT ASSEMBLY		②			⑥	⑦	⑧
序号 S./N.	③ 零件名称 DESCRIPTION ④	零件代码 PARTCODE ⑤	适用车型 VEHICLE MODEL	用 量 ⑦ QTY	备注 REMARK ⑧		
	后桥传动轴总成 PROPELLER SHAFT ASSEMBLY, REAR AXLE	2201010-P00	P00 P01 P50 P51	1			
1	卡环 SNAP RING	2201041/46-CC	P00 P01 P50 P51	12			
	卡环 SNAP RING	HWC543-4	P00 P01 P50 P51	12			
2	十字轴总成 SPIDER ASSEMBLY	2201030-48350	P00 P01 P50 P51	3			
	十字轴总成 SPIDER ASSEMBLY	HWJ-3264-00	P00 P01 P50 P51	3	JH 五十铃		
3	中间支撑总成 CENTER SUPPORT ASSEMBLY	2202030-P00	P00 P01 P50 P51	1			
	支架 CENTER SUPPORT ASSEMBLY	HWC5-103, 1, 1	P00 P01 P50 P51	1			
4	传动轴螺栓 BOLT	2201011-K00	P00 P01 P02 P50 P51 P52	4	M10 x 1.25 x 30 10, 9 级		
5	传动轴螺母 NUT	2201012-K00	P00 P01 P02 P50 P51 P52	4	M10 x 1.25		
	六角法兰面螺栓 BOLT	Q1841220		2	M12 x 1.25		
	弹簧垫圈 WASHER	Q40310		4			



EXPLANATION OF CONTENT OF TEXT

THE PRINCIPLE FOR EMBODYING IS THAT THE PARTS DIAGRAM ON THE LEFT OF PAGE, THE EXPLANATION FOR PARTS DIAGRAM ON THE RIGHT.  
 THE CONTENTS OF PARTS CATALOGUE IS BASED ON THE DIAGRAM CATALOGUE AT THE END OF THIS BROCHURE.  
 FOR THE DETAILED EXPLANATION, SEE THE FOLLOWS:

22-01 后桥传动轴总成 REAR AXLE PROPELLER SHAFT ASSEMBLY

①
②
⑥
⑦
⑧

序 号 S/N	零 部 件 名 称 DESCRIPTION	零 部 件 代 码 PART CODE	适 用 车 型 VEHICLE MODEL	用 量 QTY	备 注 REMARK
	后桥传动轴总成 PROPELLER SHAFT ASSEMBLY, REAR AXLE	2201010-P00	P00 P01 P50 P51	1	
1	卡环 SNAP RING	2201041/46-CC	P00 P01 P50 P51	12	
	卡环 SNAP RING	HWC543-4	P00 P01 P50 P51	12	
2	十字轴总成 SPIDER ASSEMBLY	2201030-40350	P00 P01 P50 P51	3	
	十字轴总成 SPIDER ASSEMBLY	HWJ-3264-00	P00 P01 P50 P51	3	JH 五十铃
3	中间支撑总成 CENTER SUPPORT ASSEMBLY	2202030-P00	P00 P01 P50 P51	1	
	支架 CENTER SUPPORT ASSEMBLY	HWC5-103.1.1	P00 P01 P50 P51	1	
4	传动轴螺栓 BOLT	2201011-K00	P00 P01 P02 P50 P51 P52	4	M10 x 1.25 x 30 10.9 级
5	传动轴螺母 NUT	2201012-K00	P00 P01 P02 P50 P51 P52	4	M10 x 1.25
	六角法兰面螺栓 BOLT	Q1841220		2	M12 x 1.25
	弹簧垫圈 WASHER	Q40310		4	

## 10 ① 分解图号码 (Fig No)

本代号由 4 位数表示, 头 2 位表示大分类, 后位是对前 2 位再进行细分类的。

<例> 离合器部分是根据下述分类, 加以表示的:

分解图号码	主标题
10 - 01	发动机悬置
11 - 01	燃油箱
12 - 01	排气系装置
13 - 01	冷却装置

### ② 主标题

主标题表示了描绘在各分解图中零件的代表性零件名称等。

### ③ 序号

表示各零部件在各分解图中的编号

### ④ 零部件名称

表示零部件编码的名称

### ⑤ 零部件编号

表示了零件代号的名称

### ⑥ 适用车型

此零部件适应于装配的车辆型号. 此栏只填写源码.

### ⑦ 数量

表示在本分解图中的单车数量

### ⑧ 备注

车辆型号等信息受到限制时, 在有补充说明也无法确定零件编号.

信息有: 零件大小, 齿轮齿数, 颜色, 制造厂家, 零件长度 (单位: 毫米) 等. 这些信息也因篇幅有限, 有时使用缩写和符号. 用缩写和符号时, 可在零部件表面看到标识.

① **FIGURE NUMBER**

THIS CODE CONSISTS OF FOUR DIGITS. THE FRONT TWO DIGITS MEANS THE BIGGER CATEGORY AND THE REAR TWO DIGITS IS THE SUBDIVISION OF THE FRONT DIGITS.  
 E. G. : CLUTCH DEVICE IS CATEGORIZED ACCORDING TO THE FOLLOWING:

FIGURE NUMBER	MAIN TITLE
10 – 01	ENGINE MOUNT
11 – 01	FUEL TANK
12 – 01	EXHAUST DEVICE
13 – 01	COOLING DEVICE

② **MAIN TITLE**

MAIN TITLE MEANS THE REPRESENTATIVE PARTS NAME WHICH DESCRIBED IN EACH FIGURE.

③ **SEQUENCE NUMBER**

MEANS THE PART CODE IN EACH FIGURE.

④ **PART NAME**

PART NAME CORRESPONDING TO PART CODE

⑤ **PART CODE**

MEANS THE DENOMINATION OF THE PART CODE.

⑥ **APPLICABLE VEHICLE TYPE**

THE VEHICLE TYPE WHICH THE PART IS APPLICABLE TO. THIS COLUMN ONLY FILLS IN SOUND CODE .

⑦ **NUMBER**



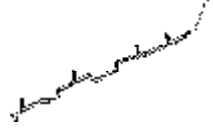


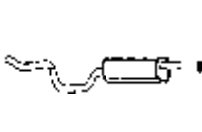

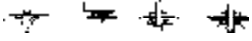
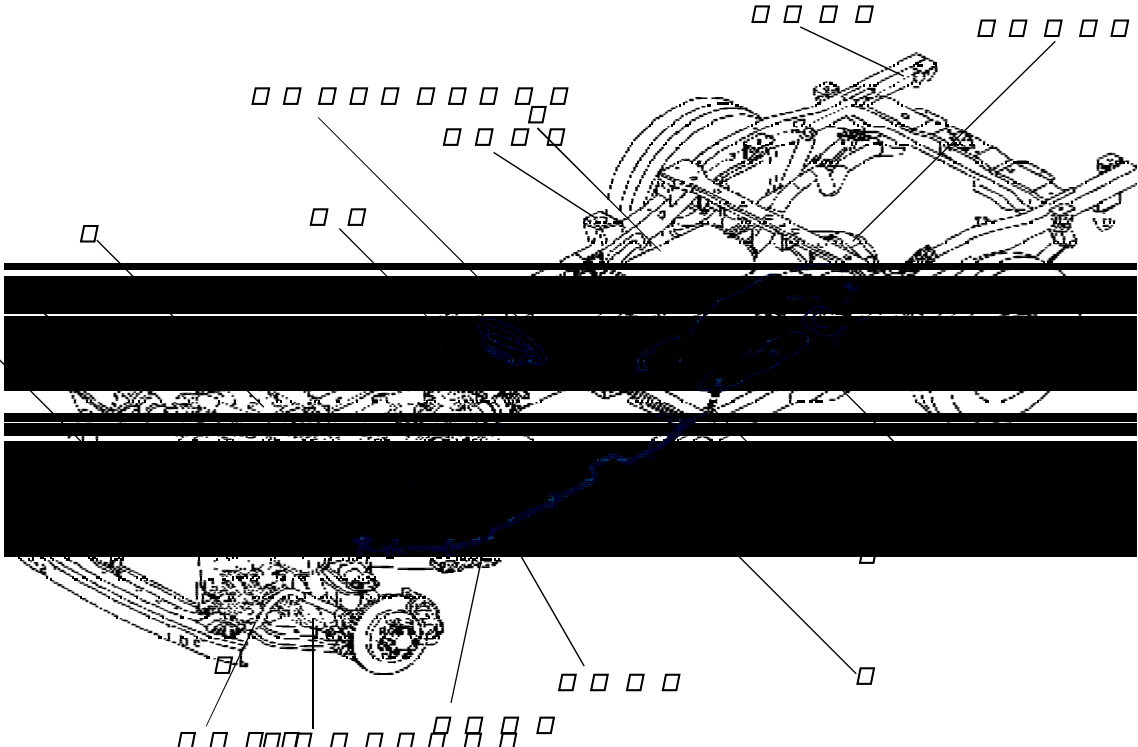

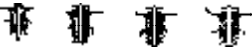
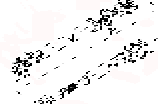
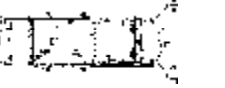

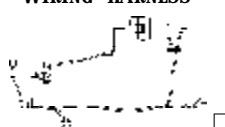

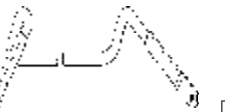

MEANS THE QUANTITY OF THE SINGLE VEHICLE WHICH EXPRESSED IN THE FIGURE.

⑧ **REMARK**









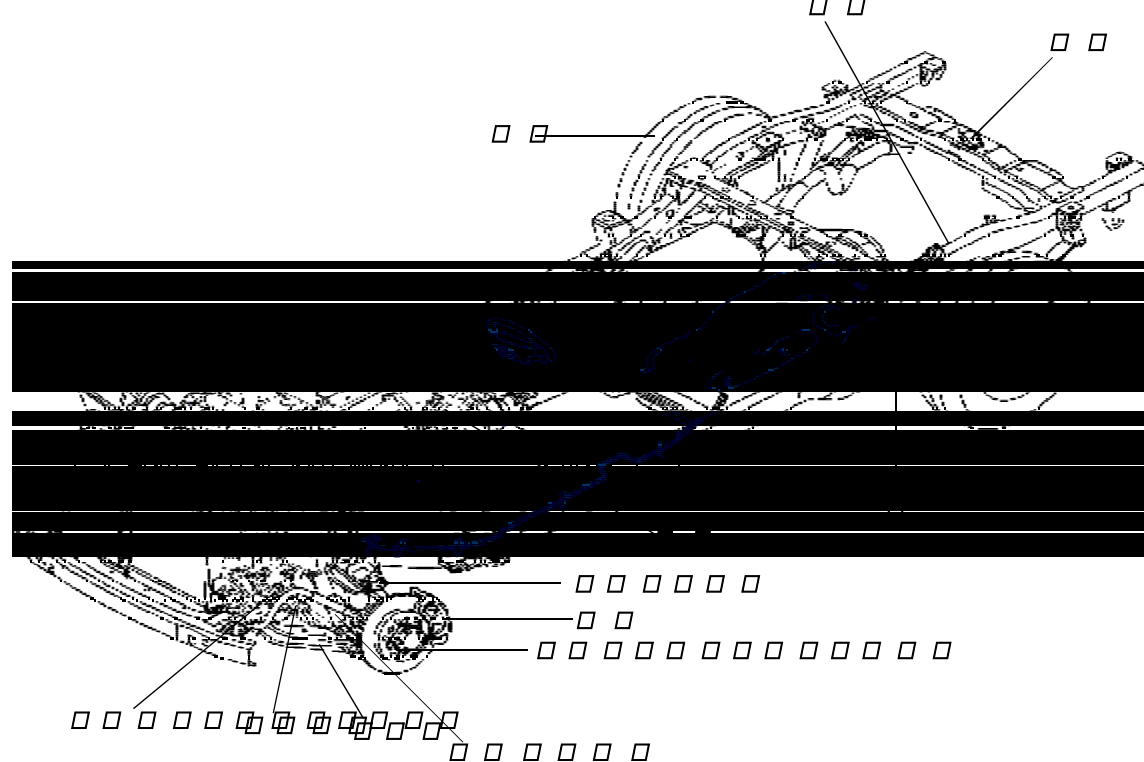

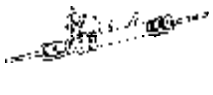


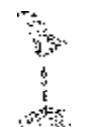


THERE ARE SUCH KIND OF CASES: DUE TO THE RESTRICTION OF THE INFORMATION AS THE VEHICLE TYPE ETC. , ALTHOUGH THE SUPPLEMENTARY ILLUMINATION HAS BEEN OFFERED, IT ALSO CANNOT VERIFY AND ENSURE THE PART CODE.

INFORMATION INCLUDE: PART SIZE, GEAR NUMBER, COLOR, MANUFACTURER, PART LENGTH (MM), ETC. DUE TO THE PAGE LIMIT, THESE INFORMATION SOMETIMES USE ABBREVIATION AND SYMBOL. WHEN USING ABBREVIATION AND SYMBOL, THE MARK CAN BE SEEN ON THE SURFACE OF THE PART.

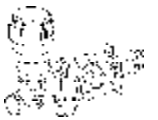




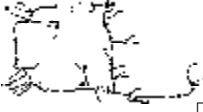

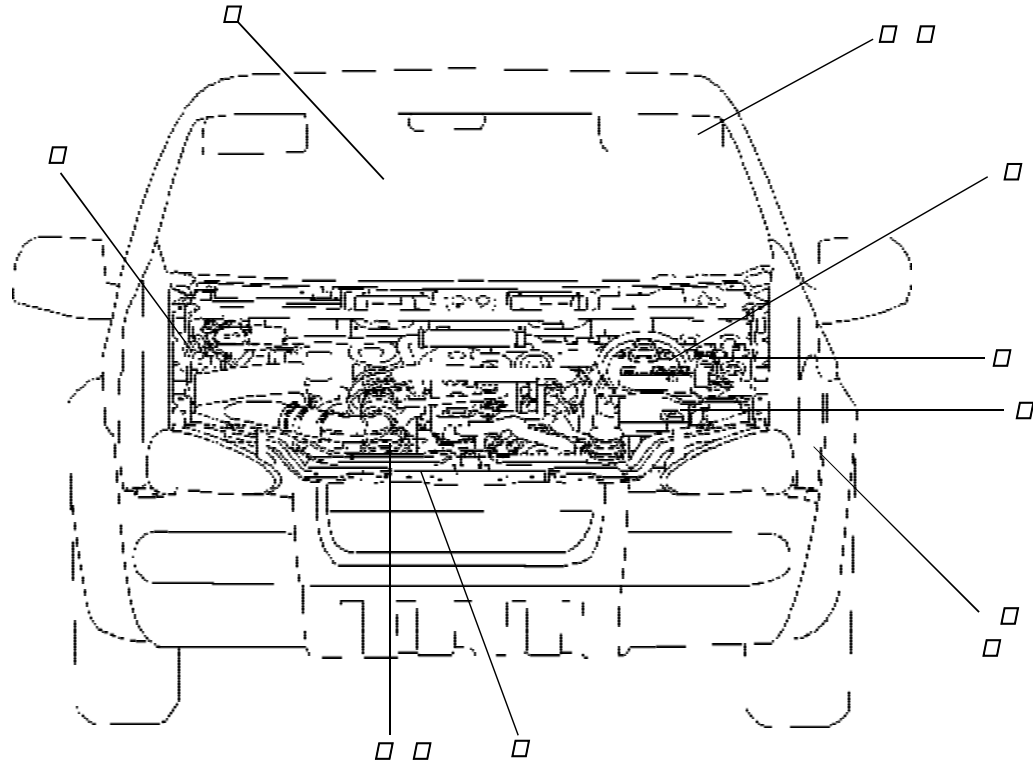




插图索引—底盘部分 FIGURE INDEX — CHASSIS SECTION

<p>□ □ □ 发动机悬置 ENGINE MOUNT</p> 	<p>□ 11- 01 燃油箱 FUEL TANK</p> 	<p>□ 11- 02 燃油管路及连接件 FUEL LINE AND CONNECTOR</p> 	<p>□ 11- 04 空气滤清器 AIR FILTER</p> 	<p>□ 11- 05 油水分离器 OIL WATER SEPARATOR</p> 	<p>□ 12- 01 排气系装置 EXHAUST DEVICE</p> 	<p>□ 13- 01 冷却装置 COOLING DEVICE</p> 
<p>□ 35- 02 车箱悬置胶垫总成 CARGO BODY MOUNTING INSULATOR</p> 						<p>□ 22- 01 后桥传动轴总成 REAR AXLE PROPELLER SHAFT ASSEMBLY</p> 
<p>□ 30- 01 车身悬置胶垫 BODY MOUNTING INSULATOR</p> 						<p>□ 22- 02 后桥传动轴总成 REAR AXLE PROPELLER SHAFT ASSEMBLY</p> 
<p>□ 40- 06 车架线束 FRAME WIRING HARNESS</p> 						<p>□ 23- 03 前桥传动轴总成 FRONT AXLE PROPELLER SHAFT ASSEMBLY</p> 
<p>□ 40- 05 座舱线束 PASSENGER COMPARTMENT WIRING HARNESS</p> 						<p>□ 23- 01 4WD 前驱动桥 4WD FRONT DRIVE AXLE</p> 
<p>□ 26- 08 前悬架横向稳定杆装置 FRONT SUSPENSION STABILIZER BAR INSTALLATION</p> 						<p>□ 28- 01 车架总成 FRAME ASSEMBLY</p> 

# 插图索引—底盘部分 FIGURE INDEX—CHASSIS SECTION








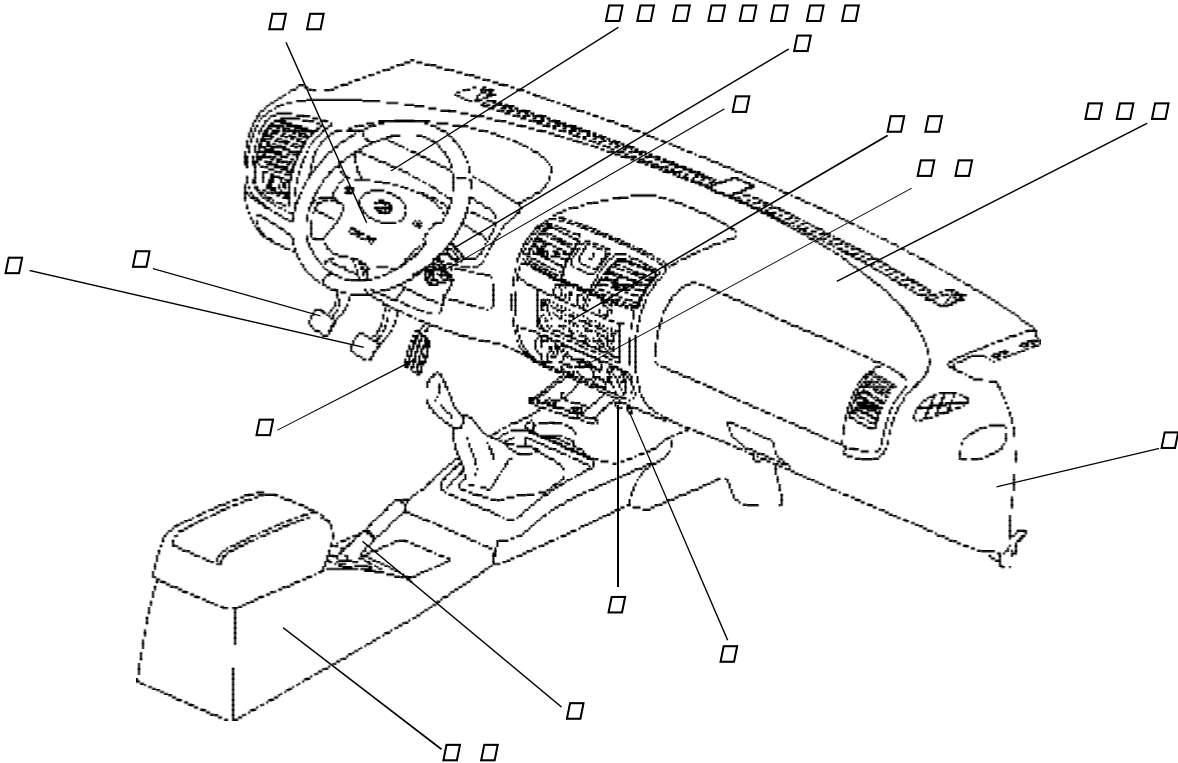

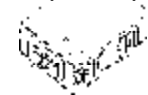






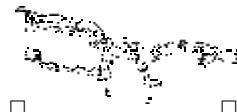

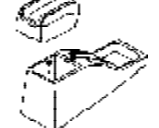
<p>□ 29-01 前悬架总成 FRONT SUSPENSION ASSEMBLY</p> 	<p>□ 29-02 前悬架总成 FRONT SUSPENSION ASSEMBLY</p> 	<p>□ 29-03 上下摆臂 UPPER/LOWER CONTROL ARM</p> 	<p>□ 29-04 左上臂安装组合件 LEFT UPPER CONTROL ARM ASSEMBLY</p> 	<p>□ 29-06 左下摆臂装配总成 LEFT LOWER CONTROL ARM ASSEMBLY</p> 	<p>□ 29-09 后悬架总成 REAR SUSPENSION ASSEMBLY</p> 	<p>□ 30-01 4WD前轮毂和左转向节 4WD FRONT HUB AND LEFT STEERING KNUCKLE</p> 
<p>□ 30-03 2WD前轮毂和左转向节 2WD FRONT HUB AND LEFT STEERING KNUCKLE</p> 						<p>□ 30-05 左转向节及轮毂制动器装配总成 LEFT STEERING KNUCKLE AND BRAKE ASSEMBLY</p> 
<p>□ 31-12 感载阀 LOAD-SENSING VALVE</p> 						<p>□ 31-01 车轮总成 WHEEL ASSEMBLY</p> 
<p>□ 35-07 左后制动器总成 REAR LEFT BRAKE ASSEMBLY</p> 						<p>□ 34-02 备胎升降机构 SPARE TIRE REGULATOR</p> 
<p>□ 35-05 左后制动器总成 REAR LEFT BRAKE ASSEMBLY</p> 						<p>□ 35-03 左前制动钳 FRONT LEFT BRAKE CALIPER</p> 

插图索引—机舱部分 FIGURE INDEX—ENGINE COMPARTMENT SECTION

<p>□ 16-02 离合管路及泵 CLUTCH CONTROL LINE &amp; CYLINDER</p> 	<p>□ 35-10 制动管路 BRAKING LINE</p> 	<p>□ 35-13 真空制动带制动泵总成 VACUUM BOOSTER &amp; BRAKE MASTER CYLINDER ASSEMBLY</p> 	<p>□ 37-01 蓄电池 BATTERY</p> 	<p>□ 37-07 电预热塞 GLOW PLUG</p> 	<p>□ 40-07 前线束 FRONT WIRING HARNESS</p> 	<p>□ 52-01 风窗玻璃及密封条 WINDSCREEN GLASS AND SEALING STRIPS</p> 
						<p>□ 52-02 风窗洗涤器 WINDSHIELD WASHER</p> 
						<p>□ 81-01 空调系统 AIR CONDITIONER SYSTEM</p> 
						<p>□ 81-02 空调管路 AIR CONDITIONER LINE</p> 
						<p>□ 82-02 遮阳板 SUN VISOR</p> 



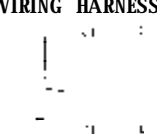





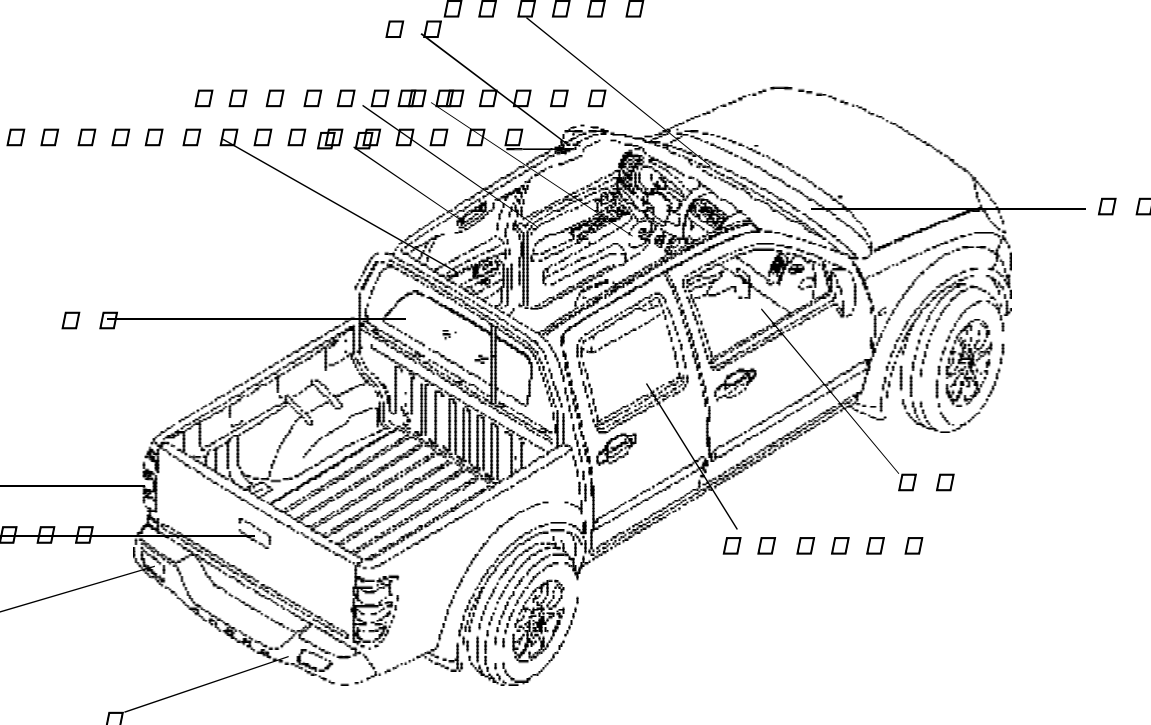






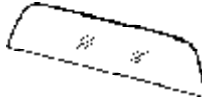
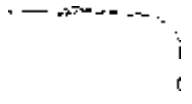

插图索引—内饰及电器附件部分

FIGURE INDEX—INTERIOR TRIM AND ELECTRIC ACCESSORIES SECTION

<p>11-03 油门操纵机构 THROTTLE CONTROL</p> 	<p>16-01 离合器踏板总成 CLUTCH PEDAL ASSEMBLY</p> 	<p>35-09 制动踏板及传动装置 BRAKE PEDAL AND DRIVING DEVICE</p> 	<p>37-02 点火开关 IGNITION SWITCH</p> 	<p>35-11 驻车制动操纵装置 PARKING BRAKING CONTROL DEVICE</p> 	<p>37-04 点烟器 CIGAR LIGHTER</p> 	<p>37-05 挂车供电插座 TRAILER CABLE SOCKET</p> 
						<p>37-08 组合开关 COMBINATION SWITCH</p> 
						<p>37-09 中央门锁控制器 CENTRAL LOCKING MECHANISM CONTROL UNIT</p> 
						<p>38-01 组合仪表 COMBINATION INSTRUMENT</p> 
						<p>41-01 仪表灯调整开关 INSTRUMENT LAMP ADJUSTING SWITCH</p> 
<p>81-03 空调调节操纵装置 AIR CONDITIONER CONTROL</p> 	<p>79-01 收音机 RADIO &amp; CASSETTE PLAYER</p> 	<p>58-01 安全气囊 AIR BAG</p> 	<p>40-03 仪表板及控制台线束 INSTRUMENT PANEL AND CONSOLE HARNESS</p> 	<p>43-03 仪表板加强梁 INSTRUMENT PANEL REINFORCEMENT MEMBER</p> 	<p>53-02 仪表板 INSTRUMENT PANEL</p> 	<p>53-01 副仪表板 CONSOLE</p> 

16 插图索引—内饰及电器附件部分




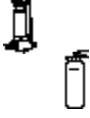
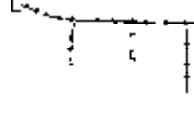
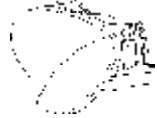

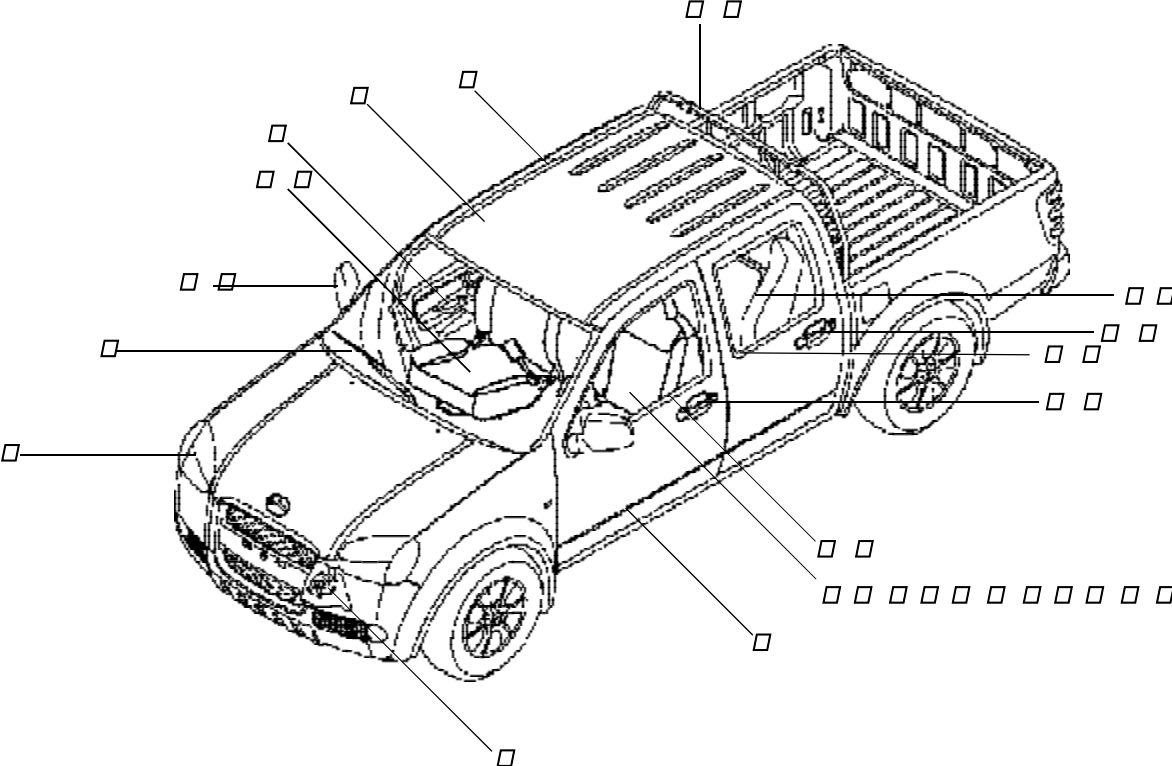
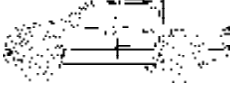
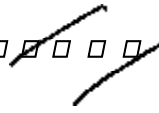
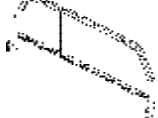

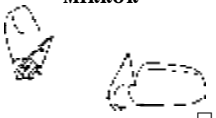
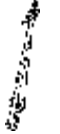







FIGURE INDEX—INTERIOR TRIM AND ELECTRIC ACCESSORIES SECTION

<p>□ 28-02 后保险杠 REAR BUMPER</p> 	<p>□ 40-01 车身线束 BODY WIRING HARNESS</p> 	<p>□ 40-04 座舱线束 PASSENGER COMPARTMENT WIRING HARNESS</p> 	<p>□ 41-03 汽车灯具 MOTOR-VEHICLE LAMP</p> 	<p>□ 41-04 制动灯 BRAKE LAMP</p> 	<p>□ 85-04 车箱后板 CARGO BODY TAIL GATE</p> 	<p>□ 51-02 地板隔热层 FLOOR HEAT INSULATOR</p> 
<p>□ 85-05 车箱板锁 CARGO BODY LOCK</p> 						<p>□ 53-04 前围隔热层 FRONT WALL HEAT INSULATOR</p> 
<p>□ 82-03 拉手 HANDLE</p> 						<p>□ 53-05 前围隔热层 FRONT WALL HEAT INSULATOR</p> 
<p>□ 81-04 供暖与通风管道 HEATER AND VENTILATION DUCT</p> 						<p>□ 56-08 专用防尘、防雨密封装饰件 SPECIAL DUST AND RAIN PROOF SEAL TRIM</p> 
<p>□ 77-03 车用音响装置 CAR ACOUSTICS</p> 						<p>□ 66-02 后围窗 REAR WALL WINDOW</p> 
<p>□ 79-02 天线 ANTENNA</p> 						<p>□ 62-02 车门护面 DOOR SHIELD</p> 



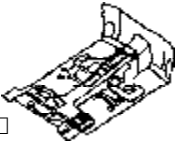

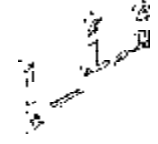


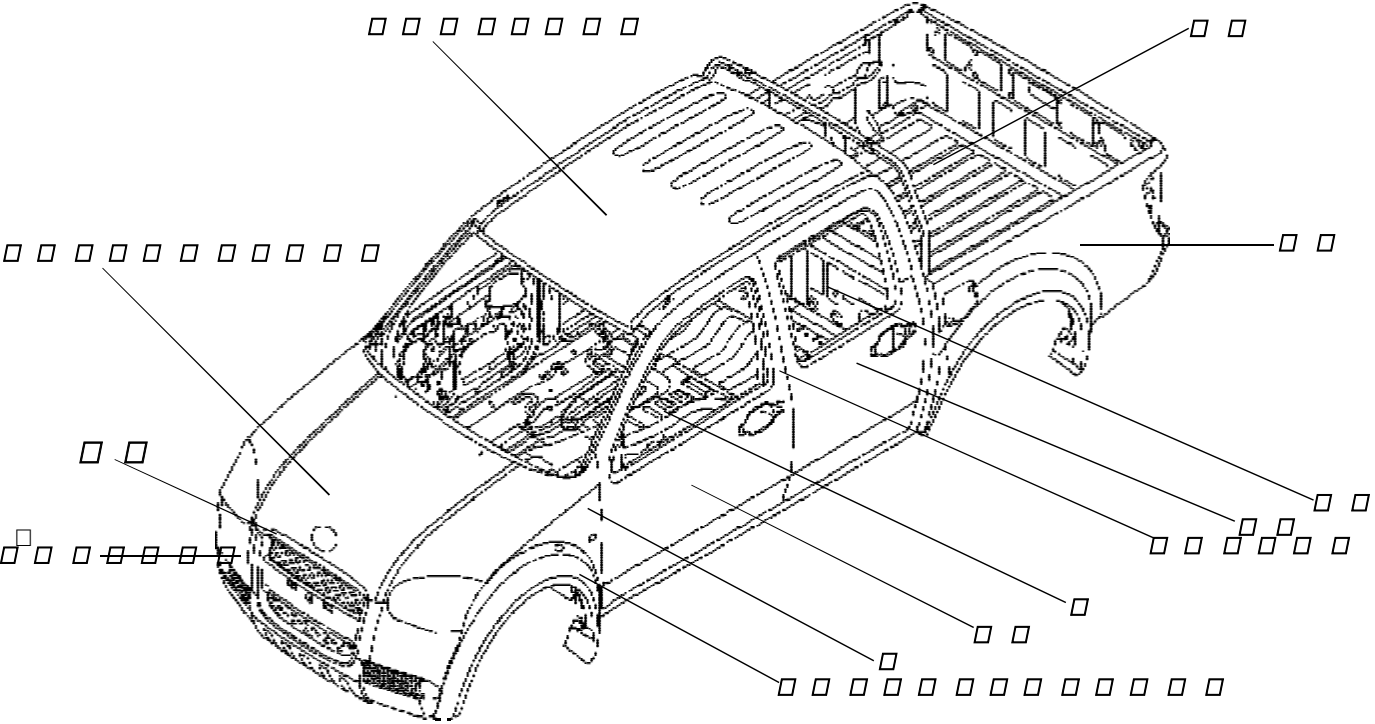











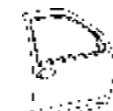



插图索引—内饰及电器附件部分

FIGURE INDEX—INTERIOR TRIM AND ELECTRIC ACCESSORIES SECTION<sup>17</sup>

<p>□ 36-01 电控单元 ECU</p> 	<p>□ 37-03 电喇叭 ELECTRIC HORN</p> 	<p>□ 37-06 门窗升降器开关及面板 WINDOW REGULATOR SWITCH AND PANEL</p> 	<p>□ 39-01 随车工具 INCAR TOOL KIT</p> 	<p>□ 40-02 车身线束 BODY WIRING HARNESS</p> 	<p>□ 41-02 汽车灯具 MOTOR-VEHICLE LAMP</p> 	<p>□ 52-01 刮水器 WIPER</p> 
						<p>□ 55-01 车身装饰 BODY TRIM</p> 
						<p>□ 55-02 顶盖装饰条 ROOF PANEL TRIM</p> 
<p>□ 85-06 车箱护栏 CARGO BODY FENDER</p> 						<p>□ 58-01 前安全带 FRONT SEAT BELT</p> 
<p>□ 82-01 外后视镜 EXTERIOR REARVIEW MIRROR</p> 						<p>□ 58-02 后安全带 REAR SEAT BELT</p> 
<p>□ 70-01 后座总成 REAR SEAT ASSEMBLY</p> 	<p>□ 69-01 副驾驶员座椅总成 ASSISTANT DRIVER SEAT ASSEMBLY</p> 	<p>□ 68-01 驾驶员座椅总成 DRIVER SEAT ASSEMBLY</p> 	<p>□ 67-03 车门密封条 DOOR SEALING STRIPS</p> 	<p>□ 67-02 车门锁及手柄 DOOR LOCK AND HANDLE</p> 	<p>□ 67-03 车门锁及手柄 DOOR LOCK AND HANDLE</p> 	<p>□ 67-03 车门密封条 DOOR SEALING STRIPS</p> 

²á¼Ë÷Òý¡îÓ½ð¼þ²¿·Ö FIGURE INDEX¡²SHEET-METAL PARTS SECTION

<p>□ □ □ 前保险杠 FRONT BUMPER</p> 	<p>□ 40-08 线束固定器 HARNESS CLAMP</p> 	<p>□ 51-01 地毯 CARPET</p> 	<p>□ 54-01 侧围骨架 BODY SIDE SKELETON</p> 	<p>□ 54-02 侧围护面 BODY SIDE SHIELD</p> 	<p>□ 55-04 轮罩装饰件 WHEELHOUSE TRIM</p> 	<p>□ 55-05 轮罩装饰件 WHEELHOUSE TRIM</p> 	
							<p>□ 55-06 轮罩装饰件 WHEELHOUSE TRIM</p> 
							<p>□ 55-07 专用隔热、隔音装饰件 SPECIAL HEAT AND SOUND INSULATION TRIM</p> 
							<p>□ 56-01 后围护面 REAR WALL SHIELD</p> 
<p>□ 53-03 散热器护栏 RADIATOR GRILLE</p> 	<p>□ □ 53-03 车箱底板及边板 CARGO BODY CARGO FLOOR AND SIDE GATE</p> 	<p>□ 57-01 顶盖骨架及盖板 ROOF SKELETON AND COVER PLATE</p> 					
<p>□ 53-01 车箱总成 CARGO BODY ASSEMBLY</p> 	<p>□ 54-03 前翼板 FRONT FENDER</p> 	<p>□ 54-02 前保险杠支架 FRONT BUMPER BRACKET</p> 	<p>□ 54-01 发动机罩及锁 ENGINE HOOD AND LOCK</p> 	<p>□ 57-01 车门骨架及盖板 DOOR SKELETON AND COVER PLATE</p> 	<p>□ 57-01 车门骨架及盖板 DOOR SKELETON AND COVER PLATE</p> 	<p>□ 57-02 顶盖内护面 ROOF INTERIOR SHIELD</p> 	

## 分解图号码索引 INDEX OF FIGURE NUMBER

19

图号 FIG NO	概要 SUMMARY	页码 PAGE CODE	图号 FIG NO	概要 SUMMARY	页码 PAGE CODE	图号 FIG NO	概要 SUMMARY	页码 PAGE CODE
10-01	发动机悬置 ENGINE MOUNT	23	24-02	后桥壳及半轴总成 REAR AXLE HOUSING & AXLE SHAFT ASSEMBLY	43	30-04	2WD 前轮毂和右转向节 2WD FRONT HUB AND RIGHT STEERING KNUCKLE	66
11-01	燃油箱 FUEL TANK	24	24-03	后差速器总成 REAR DIFFERENTIAL ASSEMBLY	45	30-05	左转向节及轮毂制动器装配总成 LEFT STEERING KNUCKLE AND BRAKE ASSEMBLY	67
11-02	燃油管路及连接件 FUEL LINE AND CONNECTOR	25	24-04	后主减速器总成 REAR FINAL DRIVE ASSEMBLY	46	30-06	右转向节及轮毂制动器装配总成 RIGHT STEERING KNUCKLE AND BRAKE ASSEMBLY	69
11-03	油门操作机构 THROTTLE CONTROL	26	28-01	车架总成 FRAME ASSEMBLY	48	31-01	车轮总成 WHEEL ASSEMBLY	70
11-04	空气滤清器 AIR FILTER	27	29-01	前悬架总成 FRONT SUSPENSION ASSEMBLY	49	31-02	备胎升降机构 SPARE TIRE REGULATOR	71
11-05	油水分离器 OIL WATER SEPARATOR	28	29-02	前悬架总成 FRONT SUSPENSION ASSEMBLY	50	34-01	转向装置 STEERING DEVICE	72
12-01	排气系装置 EXHAUST DEVICE	29	29-03	上下摆臂 UPPER/LOWER CONTROL ARM	51	34-02	动力转向管路 POWER STEERING LINE	74
13-01	冷却装置 COOLING DEVICE	30	29-04	左上臂安装组合件 LEFT UPPER CONTROL ARM ASSEMBLY	54	34-03	动力转向油泵 POWER STEERING PUMP	75
16-01	离合器踏板总成 CLUTCH PEDAL ASSEMBLY	32	29-05	右上臂安装组合件 RIGHT UPPER CONTROL ARM ASSEMBLY	55	34-04	整体式动力转向器 INTEGRAL POWER STEERING GEAR	76
16-02	离合管路及泵 CLUTCH CONTROL LINE & CYLINDER	33	29-06	左下摆臂装配总成 LEFT LOWER CONTROL ARM ASSEMBLY	56	34-05	转向附件 STEERING ACCESSORIES	77
22-01	后桥传动轴总成 REAR AXLE PROPELLER SHAFT ASSEMBLY	34	29-07	右下摆臂装配总成 RIGHT LOWER CONTROL ARM ASSEMBLY	57	35-01	左前制动器总成 FRONT LEFT BRAKE ASSEMBLY	78
22-02	后桥传动轴总成 REAR AXLE PROPELLER SHAFT ASSEMBLY	35	29-08	前悬架横向稳定杆装置 FRONT SUSPENSION STABILIZER BAR INSTALLATION	58	35-02	右前制动器总成 FRONT RIGHT BRAKE ASSEMBLY	80
22-03	前桥传动轴总成 FRONT AXLE PROPELLER SHAFT ASSEMBLY	36	29-09	后悬架总成 REAR SUSPENSION ASSEMBLY	59	35-03	左前制动钳 FRONT LEFT BRAKE CALIPER	81
23-01	4WD 前驱动桥 4WD FRONT DRIVE AXLE	37	30-01	4WD 前轮毂和左转向节 4WD FRONT HUB AND LEFT STEERING KNUCKLE	61	35-04	右前制动钳 FRONT RIGHT BRAKE CALIPER	82
23-02	4WD 前差减总成 4WD FRONT DIFFERENTIAL & REDUCER ASSEMBLY	39	30-02	4WD 前轮毂和右转向节 4WD FRONT HUB AND RIGHT STEERING KNUCKLE	63	35-05	左后制动器总成 REAR LEFT BRAKE ASSEMBLY	83
24-01	后桥壳及半轴总成 REAR AXLE HOUSING & AXLE SHAFT ASSEMBLY	41	30-03	2WD 前轮毂和左转向节 2WD FRONT HUB AND LEFT STEERING KNUCKLE	64	35-06	右后制动器总成 REAR RIGHT BRAKE ASSEMBLY	85

## 分解图号码索引 INDEX OF FIGURE NUMBER

图号 FIG NO	概要 SUMMARY	页码 PAGE CODE	图号 FIG NO	概要 SUMMARY	页码 PAGE CODE	图号 FIG NO	概要 SUMMARY	页码 PAGE CODE
35-07	左后制动器总成 REAR LEFT BRAKE ASSEMBLY	86	53-03	仪表板加强梁 INSTRUMENT PANEL REINFORCEMENT MEMBER	109	57-02	顶盖内护面 ROOF INTERIOR SHIELD	129
35-08	右后制动器总成 REAR RIGHT BRAKE ASSEMBLY	88	53-04	前围隔热层 FRONT WALL HEAT INSULATOR	110	58-01	前安全带 FRONT SEAT BELT	130
35-09	制动踏板及传动装置 BRAKE PEDAL AND DRIVING DEVICE	89	53-05	前围隔热层 FRONT WALL HEAT INSULATOR	111	58-02	后安全带 REAR SEAT BELT	131
35-10	制动管路 BRAKING LINE	90	54-01	侧围骨架 BODY SIDE SKELETON	112	61-01	车门骨架及盖板 DOOR SKELETON AND COVER PLATE	132
35-11	驻车制动操纵装置 PARKING BRAKING CONTROL DEVICE	92	54-02	侧围护面 BODY SIDE SHIELD	114	61-02	车门护面 DOOR SHIELD	134
35-12	感载阀 LOAD-SENSING VALVE	93	55-01	车身装饰 BODY TRIM	117	61-03	车门密封条 DOOR SEALING STRIPS	135
35-13	真空助力器带制动泵总成 VACUUM BOOSTER & BRAKE MASTER CYLINDER ASSEMBLY	94	55-02	顶盖装饰条 ROOF PANEL TRIM	118	62-01	车门骨架及盖板 DOOR SKELETON AND COVER PLATE	137
39-01	随车工具 INCAR TOOL KIT	96	55-03	散热器护栏 RADIATOR GRILLE	119	62-02	车门护面 DOOR SHIELD	138
28-01	前保险杠 FRONT BUMPER	97	55-04	轮罩装饰件 WHEELHOUSE TRIM	120	62-03	车门密封条 DOOR SEALING STRIPS	139
28-02	后保险杠 REAR BUMPER	99	55-05	轮罩装饰件 WHEELHOUSE TRIM	121	68-01	驾驶员座椅总成 DRIVER SEAT ASSEMBLY	140
50-01	车身悬置胶垫 BODY MOUNTING INSULATOR	101	55-06	轮罩装饰件 WHEELHOUSE TRIM	123	69-01	副驾驶座椅总成 ASSISTANT DRIVER SEAT ASSEMBLY	141
51-01	地毯 CARPET	102	55-07	专用隔热、隔音装饰件 SPECIAL HEAT AND SOUND INSULATION TRIM	124	70-01	后座总成 REAR SEAT ASSEMBLY	142
51-02	地板隔热层 FLOOR HEAT INSULATOR	103	55-08	专用防尘、防雨密封装饰件 SPECIAL DUST AND RAIN PROOF SEAL TRIM	125	82-01	外后视镜 EXTERIOR REARVIEW MIRROR	143
52-01	风窗玻璃及密封条 WINDSCREEN GLASS AND SEALING STRIPS	104	56-01	后围护面 REAR WALL SHIELD	126	82-02	遮阳板 SUN VISOR	144
53-01	副仪表板 CONSOLE	105	56-02	后围窗 REAR WALL WINDOW	127	82-03	拉手 HANDLE	145
53-02	仪表板 INSTRUMENT PANEL	106	57-01	顶盖骨架及盖板 ROOF SKELETON AND COVER PLATE	128	84-01	发动机罩及锁 ENGINE HOOD AND LOCK	146

## 分解图号码索引 INDEX OF FIGURE NUMBER

图号 FIG NO	概要 SUMMARY	页码 PAGE CODE	图号 FIG NO	概要 SUMMARY	页码 PAGE CODE	图号 FIG NO	概要 SUMMARY	页码 PAGE CODE
84- 02	前保险杠支架 FRONT BUMPER BRACKET	147	37- 08	组合开关 COMBINATION SWITCH	164	52- 02	风窗洗涤器 WINDSHIELD WASHER	181
84- 03	前翼板 FRONT FENDER	148	37- 09	中央门锁控制器 CENTRAL LOCKING MECHANISM CONTROL UNIT	165	58- 01	安全气囊 AIR BAG	182
85- 01	车箱总成 CARGO BODY ASSEMBLY	149	38- 01	组合仪表 COMBINATION INSTRUMENT	166	61- 01	车门玻璃升降机构 DOOR GLASS REGULATOR	183
85- 02	车箱悬置胶垫总成 CARGO BODY MOUNTING INSULATOR	150	40- 01	车身线束 BODY WIRING HARNESS	167	61- 02	车门锁及手柄 DOOR LOCK AND HANDLE	184
85- 03	车箱地板及边板 CARGO BODY CARGO FLOOR AND SIDE GATE	151	40- 02	车身线束 BODY WIRING HARNESS	168	61- 03	车门锁及手柄 DOOR LOCK AND HANDLE	186
85- 04	车箱后板 CARGO BODY TAIL GATE	152	40- 03	仪表板及控制台线束 INSTRUMENT PANEL AND CONSOLE HARNESS	169	62- 01	车门玻璃升降机构 DOOR GLASS REGULATOR	187
85- 05	车箱板锁 CARGO BODY LOCK	153	40- 04	座舱线束 PASSENGER COMPARTMENT WIRING HARNESS	170	62- 02	车门玻璃升降机构 DOOR GLASS REGULATOR	188
85- 06	车箱护栏 CARGO BODY FENDER	154	40- 05	座舱线束 PASSENGER COMPARTMENT WIRING HARNESS	171	62- 03	车门锁及手柄 DOOR LOCK AND HANDLE	189
36- 01	电控单元 ECU	155	40- 06	车架线束 FRAME WIRING HARNESS	172	62- 04	车门锁及手柄 DOOR LOCK AND HANDLE	191
37- 01	蓄电池 BATTERY	156	40- 07	前线束 FRONT WIRING HARNESS	173	62- 05	车门玻璃升降机构 DOOR GLASS REGULATOR	192
37- 02	点火开关 IGNITION SWITCH	157	40- 08	线束固定器 HARNESS CLAMP	174	79- 01	收放机 RADIO & CASSETTE PLAYER	193
37- 03	电喇叭 ELECTRIC HORN	158	41- 01	仪表灯调整开关 INSTRUMENT LAMP ADJUSTING SWITCH	175	79- 02	天线 ANTENNA	194
37- 04	点烟器 CIGAR LIGHTER	159	41- 02	汽车灯具 MOTOR- VEHICLE LAMP	176	79- 03	车用音响装置 CAR ACOUSTICS	195
37- 05	挂车供电插座 TRAILER CABLE SOCKET	160	41- 03	汽车灯具 MOTOR- VEHICLE LAMP	177	81- 01	空调系统 AIR CONDITIONER SYSTEM	196
37- 06	门窗升降器开关及面板 WINDOW REGULATOR SWITCH AND PANEL	161	41- 04	制动灯 BRAKE LAMP	179	81- 02	空调管路 AIR CONDITIONER LINE	197
37- 07	电预热塞 GLOW PLUG	163	52- 01	刮水器 WIPER	180	81- 03	空调调节操纵装置 AIR CONDITIONER CONTROL	198

## 分解图号码索引 INDEX OF FIGURE NUMBER

图号 FIG NO	概要 SUMMARY	页码 PAGE CODE	图号 FIG NO	概要 SUMMARY	页码 PAGE CODE	图号 FIG NO	概要 SUMMARY	页码 PAGE CODE
81-04	供暖与通风管道 HEATER AND VENTILATION DUCT	199						

# 10- 01 发动机悬置 ENGINE MOUNT

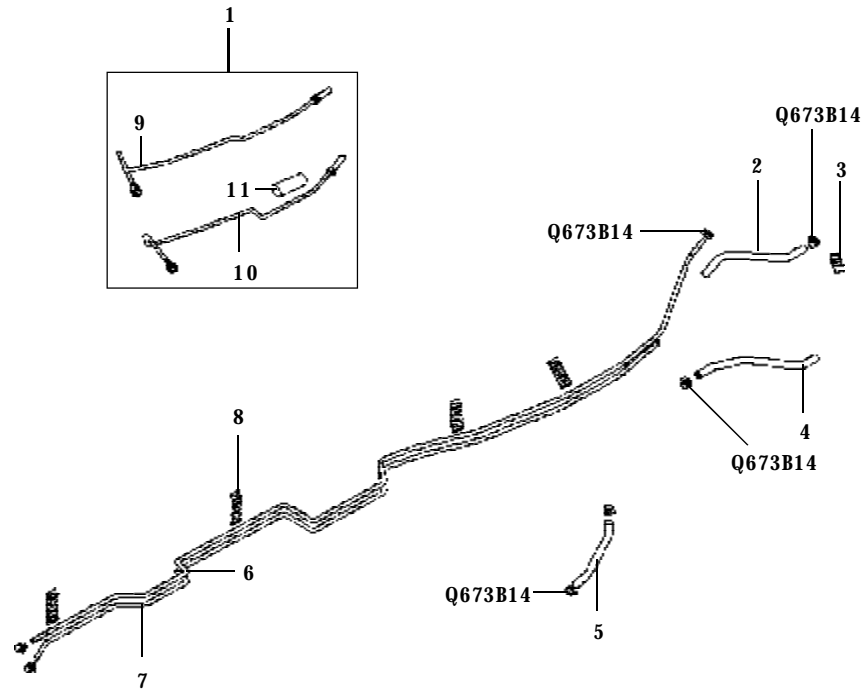
	序号 S/N	零部件名称 DESCRIPTION	零部件代码 PARTCODE	适用车型 VEHICLE MODEL	用 量 QTY.	备注 REMARK
	1	发动机总成 ENGINE ASSEMBLY	1000100- E06	P00 P01 P02	1	
	2	变速器悬置胶垫总成 TRANSMISSION MOUNT INSULATOR ASSEMBLY	1701200- B04	P00 P01 P50 P51	1	右舵 RIGHT HAND DRIVE
	3	变速器悬置胶垫 TRANSMISSION MOUNT INSULATOR	1706000- K01	P02 P52	1	两驱 2WD
	4	变速器悬置托架 BRACKET, TRANSMISSION MOUNT	1001106- P00	P00 P01 P50 P51	1	四驱 4WD
	5	左悬置胶垫护板 INSULATOR COVER, ENGINE MOUNT, LH	1001102- P00	P00 P01 P02 P50 P51 P52	1	
	6	发动机左悬置胶垫总成 ENGINE MOUNT INSULATOR ASSEMBLY, LH	1001101- P00	P00 P01 P02 P50 P51 P52	1	
	7	发动机右悬置胶垫总成 ENGINE MOUNT INSULATOR ASSEMBLY, RH	1001103- P00	P00 P01 P02 P50 P51 P52	1	
	8	右悬置胶垫护板 INSULATOR COVER, ENGINE MOUNT, RH	1001104- P00	P00 P01 P02 P50 P51 P52	1	
		六角头螺栓和弹性垫圈组合件 BOLT & WASHER KIT	Q1421020FD		4	
		六角法兰面螺栓 BOLT	Q1840812FD		4	
		六角法兰面螺栓 BOLT	Q1841025FD		6	M10 × 1.25
		六角法兰面螺栓 BOLT	Q1841020FD		2	M10 × 1.25
		六角法兰面螺母 NUT	Q32010FD		6	M10 × 1.25

# 11- 01 燃油箱 FUEL TANK

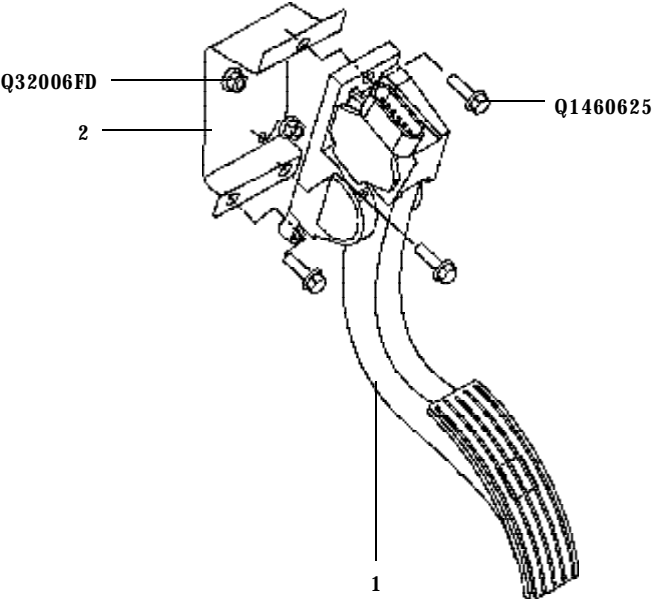
	序号 S/N	零部件名称 DESCRIPTION	零部件代码 PARTCODE	适用车型 VEHICLE MODEL	用量 QTY.	备注 REMARK
	1	燃油箱总成 FUEL TANK ASSEMBLY	1101100- P00	P00 P01 P02 P50 P51 P52	1	
	2	加油口总成 FUEL FILLER ASSEMBLY	1101210- P00	P00 P01 P02 P50 P51 P52	1	
	3	加油管上段 UPSIDE, FUEL FILLER PIPE	1101212- P00	P00 P01 P02 P50 P51 P52	1	
	4	加油口胶管 FUEL FILLER HOSE	1101211- P00	P00 P01 P02 P50 P51 P52	1	φ 41 × φ 50
	5	燃油箱盖总成 FUEL FILLER CAP ASSEMBLY	1101130- K00	P00 P01 P02 P50 P51 P52	1	
	6	加油口通气胶管 VENTILATION HOSE, FUEL FILLER	1101202- P00	P00 P01 P02 P50 P51 P52	1	φ 17 × φ 26
	7	燃油泵密封圈 FUEL PUMP SEAL RING	1101103- P00	P00 P01 P02 P50 P51 P52	1	
	8	燃油传感器支架总成 BRACKET ASSEMBLY, FUEL LEVER SENSOR	1101300- P00	P00 P01 P02 P50 P51 P52	1	
	9	燃油泵压盖 FUEL TANK CAP	1101102- P00	P00 P01 P02 P50 P51 P52	1	
	10	燃油箱前扎带总成 FRONT BAND ASSEMBLY, FUEL TANK	1101011- P00	P00 P01 P02 P50 P51 P52	1	
	11	燃油箱后扎带总成 REAR BAND ASSEMBLY, FUEL TANK	1101012- P00	P00 P01 P02 P50 P51 P52	1	
	12	油箱门拉线卡子 WIRE CLIP 六角法兰面螺栓 BOLT B 型蜗杆传动式软管环箍 CLIP, TYPE B B 型蜗杆传动式软管环箍 CLIP, TYPE B 十字槽盘头自攻螺钉和大垫圈组合件 SCREW & WASHER KIT	1101213- P00 Q1841025FD Q67627 Q67650 Q2214216A	P00 P01 P02 P50 P51 P52	1 2 2 1 1	M10 × 1.25



序号 S/N	零部件名称 DESCRIPTION	零部件代码 PARTCODE	适用车型 VEHICLE MODEL	用量 QTY.	备注 REMARK
1	燃油箱出回油尼龙管总成 FUEL OUTLET/RETURN PIPE ASSEMBLY, FUEL TANK	1104010- P00	P00 P01 P02 P50 P51 P52	1	NYLON
2	发动机回油胶管 FUEL RETURN HOSE, ENGINE	1104033- P00	P00 P01 P02 P50 P51 P52	1	φ 7.5 × φ 14 × 250
3	软管卡子 HOSE CLAMP	1104037- P00	P00 P01 P02 P50 P51 P52	1	
4	发动机进油胶管 FUEL INLET HOSE, ENGINE	1104032- P00	P00 P01 P02 P50 P51 P52	1	φ 7.5 × φ 14 × 345
5	燃油滤清器进油胶管 INLET HOSE, FUEL FILTER	1104031- P00	P00 P01 P02 P50 P51 P52	1	φ 7.5 × φ 14 × 210
6	燃油箱回油管 FUEL RETURN PIPE, FUEL TANK	1104035- P00	P00 P01 P02	1	
7	燃油箱出油管 FUEL OUTLET PIPE, FUEL TANK	1104034- P00	P00 P01 P02	1	
8	五线油管卡座 FIVE- WAY FUEL PIPE CLAMP	1104038- P00	P00 P01 P02 P50 P51 P52	4	
9	燃油箱出油尼龙管一 FUEL OUTLET PIPE, NO. 1, FUEL TANK	KJ162. 001/01	P00 P01 P02 P50 P51 P52	1	NYLON
10	燃油箱回油尼龙管一 FUEL RETURN PIPE, NO. 1, FUEL TANK	KJ162. 001/02	P00 P01 P02 P50 P51 P52	1	NYLON
11	燃油管护管 PROTECTION TUBE, FUEL PIPE 钢带型弹性环箍 CLIP	KJ162. 001/1 Q673B14	P00 P01 P02 P50 P51 P52	1 7	

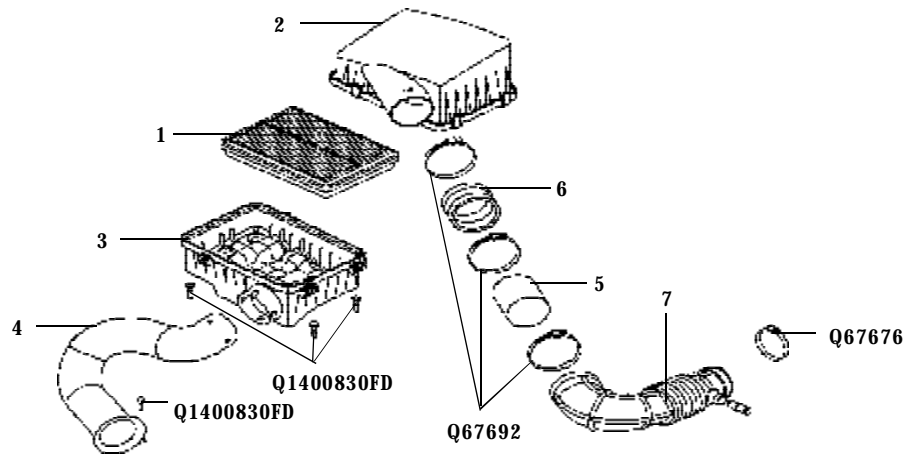


# 11- 03 油门操纵机构 THROTTLE CONTROL

	序号 S/N	零部件名称 DESCRIPTION	零部件代码 PARTCODE	适用车型 VEHICLE MODEL	用量 QTY.	备注 REMARK
	1	电子油门踏板 ACCELERATOR PEDAL (ELECTRONIC)	3612400- E06	P00 P01 P02	1	
	2	油门踏板支架 ACCELERATOR PEDAL BRACKET	1108011- P00	P00 P01 P02	1	
		六角头螺栓、弹簧垫圈和平垫圈组合件 BOLT & WASHER KIT	Q1460625		3	
		六角法兰面螺母 NUT	Q32006FD		2	

# 11- 04 空气滤清器 AIR FILTER

序号 S/N	零部件名称 DESCRIPTION	零部件代码 PARTCODE	适用车型 VEHICLE MODEL	用量 QTY.	备注 REMARK
	空气滤清器总成 AIR FILTER ASSEMBLY	1109100- P00	P00 P01 P02 P50 P51 P52	1	
1	空气滤清器滤芯总成 AIR CLEANER ASSEMBLY ,AIR FILTER	1109110- P00	P00 P01 P02 P50 P51 P52	1	
2	空气滤清器上壳体 AIR FILTER HOUSING, UPPER	1109101- P00	P00 P01 P02 P50 P51 P52	1	
3	空气滤清器下壳体 AIR FILTER HOUSING, LOWER	1109102- P00	P00 P01 P02 P50 P51 P52	1	
4	空气滤清器进气管 AIR INTAKE TUBE, AIR FILTER	1109120- P00	P00 P01 P02 P50 P51 P52	1	
5	空气流量传感器组件 AIR FLOW SENSOR ASSEMBLY	3612300- E06	P00 P01 P02 P50 P51 P52	1	
6	空气滤清器出气管 AIR OUTLET PIPE ,AIR FILTER	1132011- P00	P00 P01 P02 P50 P51 P52	1	
7	发动机进气胶管 AIR INTAKE HOSE ,ENGINE	1132012- P00	P00 P01 P02 P50 P51 P52	1	
	B 型蜗杆传动式软管环箍 CLIP, TYPE B	Q67676		1	
	B 型蜗杆传动式软管环箍 CLIP, TYPE B	Q67692		3	
	六角螺栓和大弹垫组合件 BOLT & WASHER KIT	Q1400830FD (Q40208)		4	



# 11- 05 油水分离器 OIL WATER SEPARATOR

	序号 S/N	零部件名称 DESCRIPTION	零部件代码 PARTCODE	适用车型 VEHICLE MODEL	用量 QTY.	备注 REMARK
	1	燃油滤清器总成 FUEL FILTER ASSEMBLY	1105100- E06	P00 P01 P02 P50 P51 P52	1	
	2	燃油细滤器油水分离器组件支架一 BRACKET, NO. 1, FUEL FINE FILTER & OIL WATER SEPARATOR KIT	1125101- K08	P00 P01 P02 P50 P51 P52	1	
	3	燃油细滤器油水分离器组件支架二 BRACKET, NO. 2, FUEL FINE FILTER & OIL WATER SEPARATOR KIT	1125102- K08	P00 P01 P02 P50 P51 P52	1	
		六角法兰面螺栓 BOLT	Q1841030FD		2	M10 × 1.25
		六角法兰面螺栓 BOLT	Q1841025FD		4	M10 × 1.25

## 12- 01 排气系装置 EXHAUST DEVICE

	序号 S/N	零部件名称 DESCRIPTION	零部件代码 PARTCODE	适用车型 VEHICLE MODEL	用量 QTY.	备注 REMARK
	1	三孔橡胶块 THREE- HOLE RUBBER PIECE	1200015- K00	P00 P01 P02 P50 P51 P52	3	
	2	三孔橡胶块 THREE- HOLE RUBBER PIECE	1201012- D01	P00 P01 P02 P50 P51 P52	1	
	3	消声器总成 MUFFLER ASSEMBLY	1201000- P00	P00 P01 P02 P50 P51 P52	1	
	4	螺母 NUT	1118043- E06	P00 P01 P02 P50 P51 P52	2	
	5	排气口接口垫 GASKET, EXHAUST PORT	1000016- E03	P00 P01 P02 P50 P51 P52	1	
	6	排气管前节总成 FRONT SECTION ASSEMBLY, EXHAUST PIPE	1203011- P00	P00 P02 P50 P52	1	
	7	消声器衬垫 MUFFLER GASKET	1200013- K00	P00 P01 P02 P50 P51 P52	2	
	8	消声器进排气管总成 INTAKE/EXHAUST PIPE ASSEMBLY, MUFFLER	1203012- P00	P00 P02 P50 P52	1	
		六角法兰面螺母 NUT	Q32010FD		4	M10 × 1.25
		六角法兰面螺栓 BOLT	Q1841035FD		4	M10 × 1.25

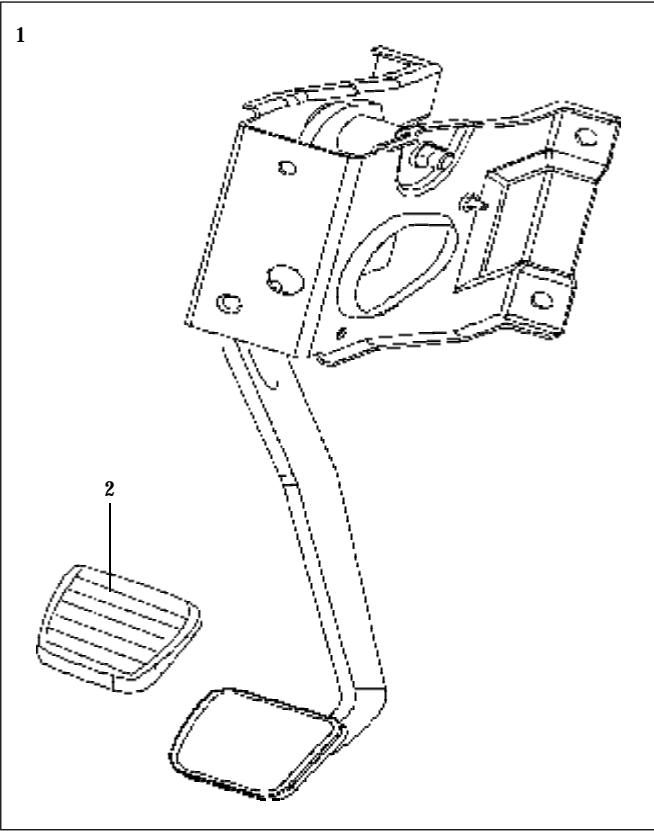
# 13- 01 冷却装置 COOLING DEVICE

	序号 S/N	零部件名称 DESCRIPTION	零部件代码 PARTCODE	适用车型 VEHICLE MODEL	用量 QTY.	备注 REMARK
	1	散热器风扇总成 RADIATOR FAN ASSEMBLY	1308100- P00	P00 P01 P02 P50 P51 P52	1	
	2	散热器上水胶管 RADIATOR HOSE, UPPER	1303011- P00	P00 P01 P02 P50 P51 P52	1	φ 31 × φ 41
	3	散热器总成 RADIATOR ASSEMBLY	1301100- P00	P00 P01 P02 P50 P51 P52	1	
	4	散热器安装上支架 UPPER BRACKET, RADIATOR	1302011- P00	P00 P01 P02 P50 P51 P52	1	
	5	散热器上悬置胶块 RADIATOR MOUNT INSULATOR, UPPER	1302012- P00	P00 P01 P02 P50 P51 P52	1	
	6	扎带 BAND	4004102- K00	P00 P01 P02 P50 P51 P52	1	
	7	散热器溢水胶管 OVERFLOW HOSE, RADIATOR	1303013- P00	P00 P01 P02 P50 P51 P52	1	φ 7 × φ 12 × 1320
	8	溢水罐总成 EXPANSION TANK ASSEMBLY	1311100- P00	P00 P01 P02 P50 P51 P52	1	
	9	散热器下悬置胶块 RADIATOR MOUNT INSULATOR, LOWER	1302013- P00	P00 P01 P02 P50 P51 P52	2	
	10	散热器下水胶管 RADIATOR HOSE, LOWER	1303012- P00	P00 P01 P02 P50 P51 P52	1	
	11	散热器盖 RADIATOR CAP	XL02430C- 040	P00 P01 P02 P50 P51 P52	1	
	12	放水阀芯总成 WATER DRAIN VALVE ASSEMBLY	XL02430C- 060	P00 P01 P02 P50 P51 P52	1	
		B 型蜗杆传动式软管环箍 CLIP, TYPE B	Q67650		2	
		B 型蜗杆传动式软管环箍 CLIP, TYPE B	Q67645		2	
		六角头螺栓、平垫圈及弹簧垫圈组合件 BOLT & WASHER KIT	Q1460616FD		4	
		六角法兰面螺栓 BOLT	Q1840812FD		1	

### 13- 01 冷却装置 COOLING DEVICE

序号 S/N	零部件名称 DESCRIPTION	零部件代码 PARTCODE	适用车型 VEHICLE MODEL	用 量 QTY.	备注 REMARK	序号 S/N	零部件名称 DESCRIPTION	零部件代码 PARTCODE	适用车型 VEHICLE MODEL	用 量 QTY.	备注 REMARK
	六角头螺栓、平垫圈及弹簧垫圈组合件 BOLT & WASHER KIT	Q1460620FD(Q40206)		1							

# 16- 01 离合器踏板总成 CLUTCH PEDAL ASSEMBLY

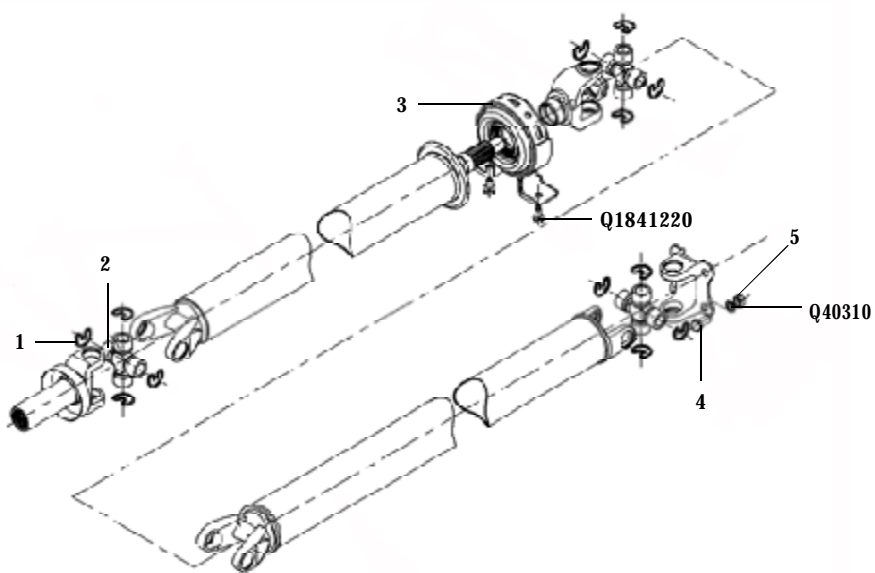
	序号 S/N	零部件名称 DESCRIPTION	零部件代码 PARTCODE	适用车型 VEHICLE MODEL	用量 QTY.	备注 REMARK
	1	离合器踏板总成 CLUTCH PEDAL ASSEMBLY	1602200- P00	P00	1	
	2	踏板套 PEDAL PAD	3504117- P00	P00	1	



## 16- 02 离合管路及泵 CLUTCH CONTROL LINE & CYLINDER

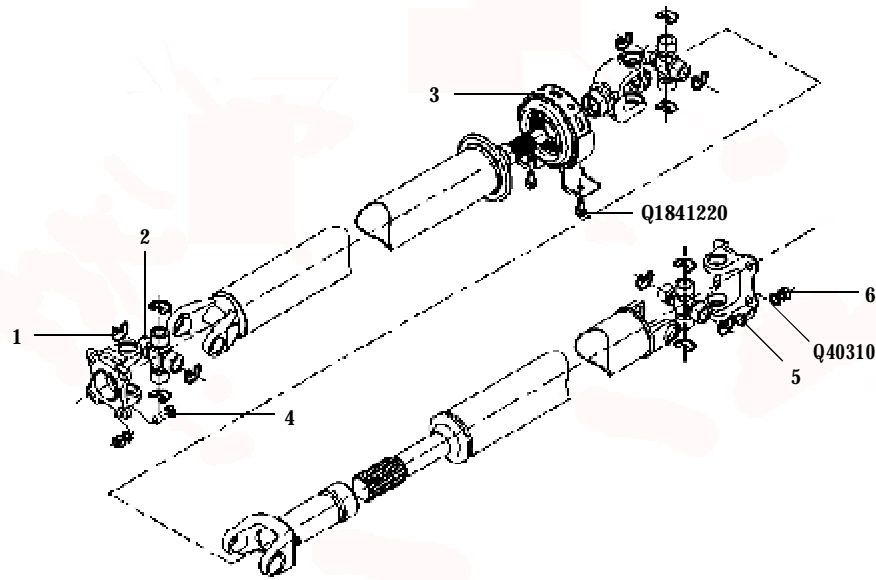
	序号 S/N	零部件名称 DESCRIPTION	零部件代码 PARTCODE	适用车型 VEHICLE MODEL	用量 QTY.	备注 REMARK	
	1	离合总泵油管 OIL PIPE, CLUTCH MASTER CYLINDER	1607011- P00	P00 P01 P02	1		
	2	离合总泵 CLUTCH MASTER CYLINDER	1608000- K08	P00 P01 P02 P50 P51 P52	1		
	3	离合器分泵 CLUTCH RELEASE CYLINDER	1609000- K08	P00 P01 P02 P50 P51 P52	1		
	4	软管连接带孔螺栓 CONNECTING BOLT, HOSE	3506125- K00	P00 P01 P02 P50 P51 P52	1		
	5	离合器软管 CLUTCH HOSE	1607013- P00	P00 P01 P02 P50 P51 P52	1		
	6	离合软管支架 BRACKET, CLUTCH HOSE	1607015- P00	P00 P01 P02 P50 P51 P52	1		
	7	弹簧卡子 SPRING CLIP	1607011- K00	P00 P01 P02 P50 P51 P52	1		
	8	塑料卡子 PLASTIC CLIP	1607014- P00	P00 P01 P02 P50 P51 P52	1		
			开口挡圈 RETAINER RING	Q436120		1	
			六角法兰面螺母 NUT	Q32008		7	
			密封垫圈 WASHER	Q72310		2	
			六角头螺栓 BOLT	Q151B1290		2	
			六角头螺母 NUT	Q341B12		1	
			平垫 WASHER	Q40112		2	
			弹垫 WASHER	Q40312		2	

22- 01 后桥传动轴总成 REAR AXLE PROPELLER SHAFT ASSEMBLY

	序号 S/N	零部件名称 DESCRIPTION	零部件代码 PARTCODE	适用车型 VEHICLE MODEL	用 量 QTY.	备注 REMARK
		后桥传动轴总成 PROPELLER SHAFT ASSEMBLY, REAR AXLE	2201010- P00	P00 P01 P50 P51	1	
	1	卡环 SNAP RING	2201041/46- CC	P00 P01 P50 P51	12	
		卡环 SNAP RING	HWC543- 4	P00 P01 P50 P51	12	
	2	十字轴总成 SPIDER ASSEMBLY	2201030- 4B350	P00 P01 P50 P51	3	
		十字轴总成 SPIDER ASSEMBLY	HWJ- 3264- 00	P00 P01 P50 P51	3	JH 五十铃
	3	中间支撑总成 CENTER SUPPORT ASSEMBLY	2202030- P00	P00 P01 P50 P51	1	
		支架 CENTER SUPPORT ASSEMBLY	HWC5- 103.1.1	P00 P01 P50 P51	1	
	4	传动轴螺栓 BOLT	2201011- K00	P00 P01 P02 P50 P51 P52	4	M10 × 1.25 × 30 10.9级
	5	传动轴螺母 NUT	2201012- K00	P00 P01 P02 P50 P51 P52	4	M10 × 1.25
		六角法兰面螺栓 BOLT	Q1841220		2	M12 × 1.25
	弹簧垫圈 WASHER	Q40310		4		

22- 02 后桥传动轴总成 REAR AXLE PROPELLER SHAFT ASSEMBLY

序 号 S/N	零部件名称 DESCRIPTION	零部件代码 PARTCODE	适用车型 VEHICLE MODEL	用 量 QTY.	备注 REMARK
	后桥传动轴总成 PROPELLER SHAFT ASSEMBLY, REAR AXLE	2201010- P02	P02 P52	1	
1	卡环 SNAP RING	HWC543- 4	P02 P52	12	
	卡环 SNAP RING	2201041/46- CC	P02 P52	12	
2	十字轴总成 SPIDER ASSEMBLY	HWJ- 3264- 00	P02 P52	3	JH 五十铃
	十字轴总成 SPIDER ASSEMBLY	2201030- 4B350	P02 P52	3	
3	支架 CENTER SUPPORT ASSEMBLY	HWC5- 103.1.1	P02 P52	1	
	中间支撑总成 CENTER SUPPORT ASSEMBLY	2202030- P00	P02 P52	1	
4	传动轴螺栓 BOLT	2203011- K01	P02 P52	4	M10 × 1.25 × 35
5	传动轴螺栓 BOLT	2201011- K00	P00 P01 P02 P50 P51 P52	4	M10 × 1.25 × 30
6	传动轴螺母 NUT	2201012- K00	P00 P01 P02 P50 P51 P52	8	M10 × 1.25
	六角法兰面螺栓 BOLT	Q1841220		2	M12 × 1.25
	弹簧垫圈 WASHER	Q40310		8	



22- 03 前桥传动轴总成 FRONT AXLE PROPELLER SHAFT ASSEMBLY

	序号 S/N	零部件名称 DESCRIPTION	零部件代码 PARTCODE	适用车型 VEHICLE MODEL	用量 QTY.	备注 REMARK
		前桥传动轴总成 PROPELLER SHAFT ASSEMBLY, FRONT AXLE	2203010- P02	P02 P52	1	
	1	十字轴总成 SPIDER ASSEMBLY	2203030- P02	P02 P52	2	
		十字轴总成 SPIDER ASSEMBLY	HWJ- 4101- 00	P02 P52	1	UW27062ND
	2	卡环 SNAP RING	2201041/46- CC	P02 P52	8	
		卡环 SNAP RING	HWC5- 45- 4	P02 P52	8	
	3	传动轴螺母 NUT	2201012- K00	P00 P01 P02 P50 P51 P52	8	
	4	传动轴螺栓 BOLT	2203011- K01	P02 P52	8	M10 × 1.25 × 35
		弹簧垫圈 WASHER	Q40310		8	

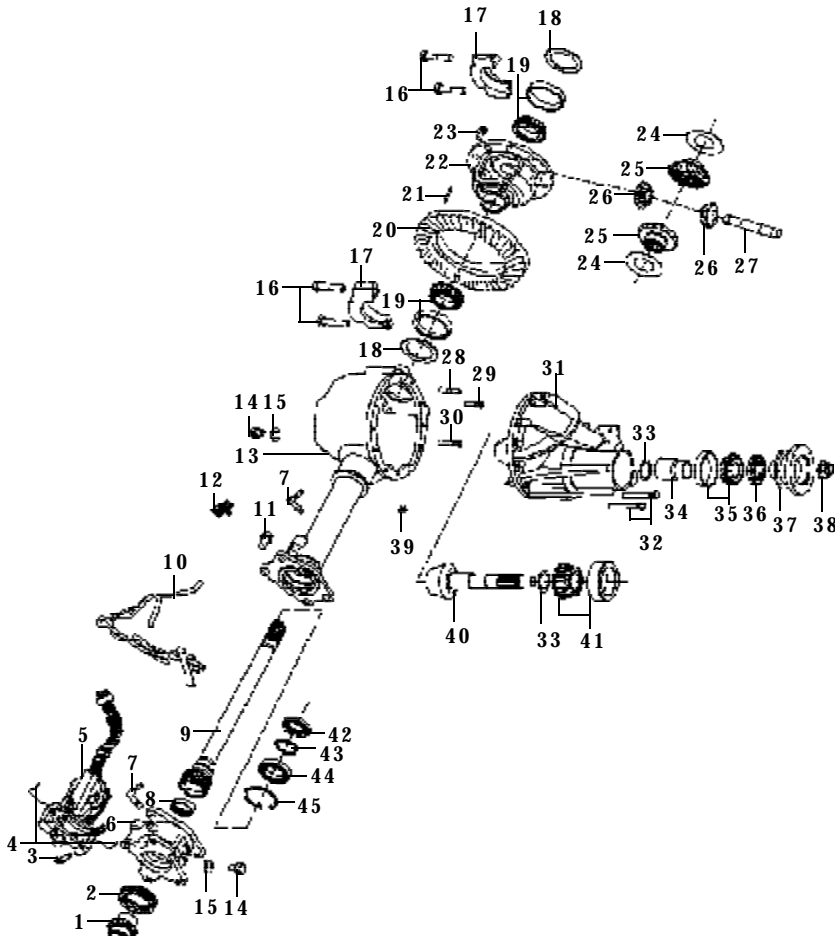
## 23- 01 4WD 前驱动桥 4WD FRONT DRIVE AXLE

	序号 S/N	零部件名称 DESCRIPTION	零部件代码 PARTCODE	适用车型 VEHICLE MODEL	用 量 QTY.	备注 REMARK
		前驱动桥总成 FRONT DRIVE AXLE ASSEMBLY	2300000- P09	P02 P52	1	
	1	六角法兰面螺母 NUT	Q32014FD		2	M14 × 1.5
	2	六角法兰面螺栓 BOLT	Q1841480FD		4	M14 × 1.5
	3	左前驱吊架总成 FRONT DRIVE AXLE HANGER ASSEMBLY, LH	2303310- K01	P02 P52	1	
	4	右前驱吊架总成 FRONT DRIVE AXLE HANGER ASSEMBLY, RH	2303320- K01	P02 P52	1	
	5	衬套垫片 BUSHING GASKET	2300015- K01	P02 P52	4	
	6	螺栓 - 紧固吊架板 BOLT- HANGING PLATE	2300017- K01	P02 P52	8	
	7	前减速器及差速器总成 FRONT REDUCER & DIFFERENTIAL ASSEMBLY	2302100- K09	P02 P52	1	
	8	等速驱动轴总成 CONSTANT VELOCITY DRIVE SHAFT ASSEMBLY	2303390- K01	P02 P52	2	
	9	卡簧二 SNAP RING, NO. 2	2303301- K01	P02 P52	4	
	10	万向节轴承 UNIVERSAL JOINT BEARING	6006E- RSN	P02 P52	2	
	11	等速驱动轴油封 UNIVERSAL JOINT OIL SEAL	2303380- K01	P02 P52	2	
	12	前桥通气管总成 VENTILATION PIPE ASSEMBLY, FRONT AXLE	2300010- P02	P02 P52	1	
	13	小夹箍 - 等速驱动轴 SMALL CLIP, CONSTANT VELOCITY DRIVE SHAFT	2303394- K01	P02 P52	2	
	14	护套 - 等速驱动轴移动节 SLEEVE, CONSTANT VELOCITY DRIVE SHAFT	2303392- K01	P02 P52	2	
15	大夹箍 - 等速驱动轴移动节 BIG CLIP, CONSTANT VELOCITY DRIVE SHAFT	2303393- K01	P02 P52	2		

23- 01 4WD 前驱动桥 4WD FRONT DRIVE AXLE

序号 S/N	零部件名称 DESCRIPTION	零部件代码 PARTCODE	适用车型 VEHICLE MODEL	用量 QTY.	备注 REMARK	序号 S/N	零部件名称 DESCRIPTION	零部件代码 PARTCODE	适用车型 VEHICLE MODEL	用量 QTY.	备注 REMARK
	六角头螺栓、弹簧垫圈和平垫圈组合件 BOLT & WASHER KIT	Q1460616		1							
	六角头螺栓、弹簧垫圈和平垫圈组合件 BOLT & WASHER KIT	Q1460816		1							

23- 02 4WD 前差减总成 4WD FRONT DIFFERENTIAL & REDUCER ASSEMBLY

	序号 S/N	零部件名称 DESCRIPTION	零部件代码 PARTCODE	适用车型 VEHICLE MODEL	用量 QTY.	备注 REMARK
	1	分离器机械轮 SEPARATOR MECHANICAL GEAR	2310012- K01	P02 P52	1	
	2	分离器拨叉套 SEPARATOR SHIFTING FORK SLEEVE	2310013- K01	P02 P52	1	
	3	螺栓 - 紧固电控拨叉 BOLT, ELECTRIC FORK	2310014- K01	P02 P52	4	
	4	销 3 × 6 PIN 3 × 6	Q5210306		2	
	5	电控拨叉总成 ELECTRIC FORK ASSEMBLY	2310100- K01	P02 P52	1	
	6	分离器壳 SEPARATOR HOUSING	2310011- K01	P02 P52	1	
	7	前桥通气管接头 AIR VENTILATION JOINT, FRONT AXLE	2300013- K01	P02 P52	2	
	8	滚针轴承 - 长半轴 NEEDLE ROLLER BEARING, AXLE SHAFT(LONG)	HK374312- 00	P02 P52	1	
	9	长半轴 AXLE SHAFT (LONG)	2303201- K01	P02 P52	1	
	10	前桥通气管总成 VENTILATION PIPE ASSEMBLY, FRONT AXLE	2301080- K01	P02 P52	1	
	11	螺栓 - 紧固分离器壳 BOLT, FIXING SEPARATOR HOUSING	2300023- K01	P02 P52	4	
	12	前桥通气管螺栓 BOLT, VENTILATION PIPE, FRONT AXLE	Q1460616M6 × 16		1	
	13	前桥壳总成 FRONT AXLE HOUSING ASSEMBLY	2301100- K01	P02 P52	1	
	14	加油塞 FILLING PLUG	2400011- D01	P02 P52	1	
	15	垫圈 WASHER	2400012- D01	P02 P52	1	
	16	螺栓 - 紧固差速器轴承压盖 BOLT, FIXING DIFFERENTIAL BEARING CAP	2302107- K01	P02 P52	4	

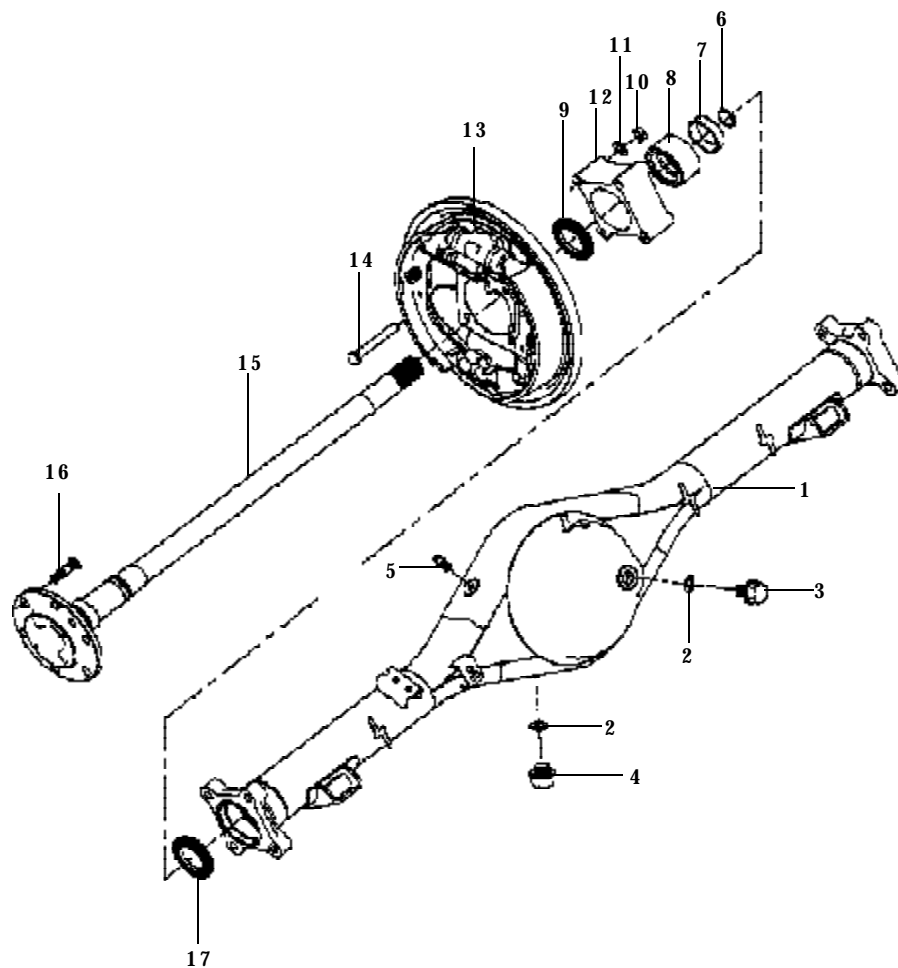
## 23- 02 4WD 前差减总成 4WD FRONT DIFFERENTIAL &amp; REDUCER ASSEMBLY

40

序号 S/N	零部件名称 DESCRIPTION	零部件代码 PARTCODE	适用车型 VEHICLE MODEL	用量 QTY.	备注 REMARK	序号 S/N	零部件名称 DESCRIPTION	零部件代码 PARTCODE	适用车型 VEHICLE MODEL	用量 QTY.	备注 REMARK
17	压盖 - 差速器轴承 CAP, DIFFERENTIAL BEARING	2302106- K01	P02 P52	2		33	调整垫圈 - 主动锥齿轮 ADJUSTING WASHER, DRIVE BEVEL GEAR	2402029- D01	P02 P52	2	
18	调整插片 - 前差速器轴承 ADJUSTING PLUG BLADE, FRONT DIFFERENTIAL BEARING	2302104- K01	P02 P52	2		34	隔套 - 主动锥齿轮轴承 SPACER, DRIVE BEVEL GEAR BEARING	2302102- K01	P02 P52	1	
19	轴承 - 前差速器壳 BEARING, FRONT DIFFERENTIAL HOUSING	LM501349Y/10	P02 P52	2		35	小轴承 - 主动锥齿轮 BEARING, DRIVE BEVEL GEAR (SMALL)	30306C	P02 P52	1	
20	从动锥齿轮 DRIVEN BEVEL GEAR	2302142- K09	P02 P52	1		36	油封 - 前驱主动锥齿轮 OIL SEAL, DRIVE BEVEL GEAR, FRONT DRIVE AXLE	2302130- K01	P02 P52	1	
21	圆柱销 - 行星齿轮轴 CYLINDRICAL PIN, PLANETARY- GEAR SHAFT	2303105- K01	P02 P52	1		37	突缘 - 前驱主动锥齿轮 FLANGE, DRIVE BEVEL GEAR, FRONT DRIVE AXLE	2302122- K01	P02 P52	1	
22	前差速器壳 FRONT DIFFERENTIAL HOUSING	2303101- K01	P02 P52	1		38	螺母 - 紧固主动锥齿轮 NUT, FIXING DRIVE BEVEL GEAR	2302101- K01	P02 P52	1	
23	螺栓 - 紧固从动锥齿轮 BOLT, FIXING DRIVEN BEVEL GEAR	2302103- K01	P02 P52	10		39	放油塞 OIL DRAIN PLUG	2301105- K01	P02 P52	1	
24	半轴齿轮止推片 THRUST WASHER , AXLE SHAFT GEAR	2303106- K01	P02 P52	2		40	主动锥齿轮 DRIVE BEVEL GEAR	2302141- K09	P02 P52	1	
25	半轴齿轮 AXLE SHAFT GEAR	2303102- K01	P02 P52	2		41	大轴承 - 主动锥齿轮 BEARING, DRIVE BEVEL GEAR (LARGE)	32307BC	P02 P52	1	
26	行星齿轮 PLANETARY GEAR	2303103- K01	P02 P52	2		42	前驱驱动半轴油封 AXLE SHAFT OIL SEAL, FRONT DRIVE	2300300- K01	P02 P52	1	
27	行星齿轮轴 PLANETARY GEAR SHAFT	2303104- K01	P02 P52	1		43	卡簧一 SNAP RING, NO. 1	2303202- K01	P02 P52	1	
28	双头螺柱 - 前桥壳 DOUBLE END STUD, FRONT AXLE HOUSING	2300018- K01	P02 P52	2		44	长半轴外轴承 OUTER BEARING, AXLE SHAFT (LONG)	6908	P02 P52	1	
29	短螺栓 - 紧固减速器壳 SHORT BOLT, FIXING REDUCER HOUSING	2300022- K01	P02 P52	6		45	孔用弹性挡圈 CIRCLIP FOR HOLES	Q43062		1	
30	中螺栓 - 紧固减速器壳 MIDDLE BOLT, FIXING REDUCER HOUSING	2300021- K01	P02 P52	2							
31	前减速器壳 FRONT REDUCER HOUSING	2302105- K01- B1	P02 P52	1							
32	长螺栓 - 紧固减速器壳 LONG BOLT, FIXING REDUCER HOUSING	2300019- K01	P02 P52	2							



24- 01 后桥壳及半轴总成 REAR AXLE HOUSING & AXLE SHAFT ASSEMBLY

	序号 S/N	零部件名称 DESCRIPTION	零部件代码 PARTCODE	适用车型 VEHICLE MODEL	用量 QTY.	备注 REMARK
		后桥总成 REAR AXLE ASSEMBLY	2201010- P00	P00 P02 P50 P52	1	
	1	后桥壳总成 REAR AXLE HOUSING ASSEMBLY	2401000- P00	P00 P02 P50 P52	1	
	2	垫圈 WASHER	2400012- D01	P00 P02 P50 P52	2	
	3	加油塞 FILLING PLUG	2400011- D01	P00 P02 P50 P52	1	
	4	放油塞总成 OIL DRAIN PLUG ASSEMBLY	2400020- D01	P00 P02 P50 P52	1	
	5	通气塞总成 BREATHER VALVE ASSEMBLY	2400030- D01	P00 P02 P50 P52	1	
	6	轴用压扁钢丝挡圈 RETAINER RING, SHAFT	2403105- P00	P00 P02 P50 P52	2	
	7	后轮轴承内油封座 INNER OIL SEAL SEAT, REAR WHEEL BEARING	2403104- P00	P00 P02 P50 P52	2	
	8	双列圆锥滚子轴承 DOUBLE- ROW TAPERED ROLLER BEARING	T428038	P00 P02 P50 P52	2	
	9	后轮轴承外油封总成 OUTER OIL SEAL ASSEMBLY, REAR WHEEL BEARING	2403120- P00	P00 P02 P50 P52	2	
	10	螺母 M12 × 1.25 NUT M12 × 1.25	Q340B12		8	
	11	重型弹簧垫圈 1 2 WASHER Φ 12	Q40512		8	
	12	轴承座 - 后轮 BEARING SEAT, REAR WHEEL	2403102- P00	P00 P02 P50 P52	1	
	13	左后制动器总成 REAR BRAKE ASSEMBLY, LH	3502100- P00	P00 P02 P50 P52	1	
	14	螺栓 - 后轮轴承座 BOLT, REAR WHEEL BEARING SEAT	2403103- P00	P00 P02 P50 P52	8	
15	半轴 AXLE SHAFT	2403101- P00	P00 P02 P50 P52	2		

24- 01 后桥壳及半轴总成 REAR AXLE HOUSING & AXLE SHAFT ASSEMBLY

序号 S/N	零部件名称 DESCRIPTION	零部件代码 PARTCODE	适用车型 VEHICLE MODEL	用量 QTY.	备注 REMARK	序号 S/N	零部件名称 DESCRIPTION	零部件代码 PARTCODE	适用车型 VEHICLE MODEL	用量 QTY.	备注 REMARK
	左半轴总成 AXLE SHAFT ASSEMBLY, LH	2403100- P00	P00 P02 P50 P52	1							
	右半轴总成 AXLE SHAFT ASSEMBLY, RH	2403200- P00	P00 P02 P50 P52	1							
16	后车轮螺栓 REAR WHEEL BOLT	2403102- K00	P00 P02 P50 P52	12							
17	后轮轴承内油封总成 INNER OIL SEAL ASSEMBLY, REAR WHEEL BEARING	2400020- P00	P00 P02 P50 P52	1							

24- 02 后桥壳及半轴总成 REAR AXLE HOUSING & AXLE SHAFT ASSEMBLY

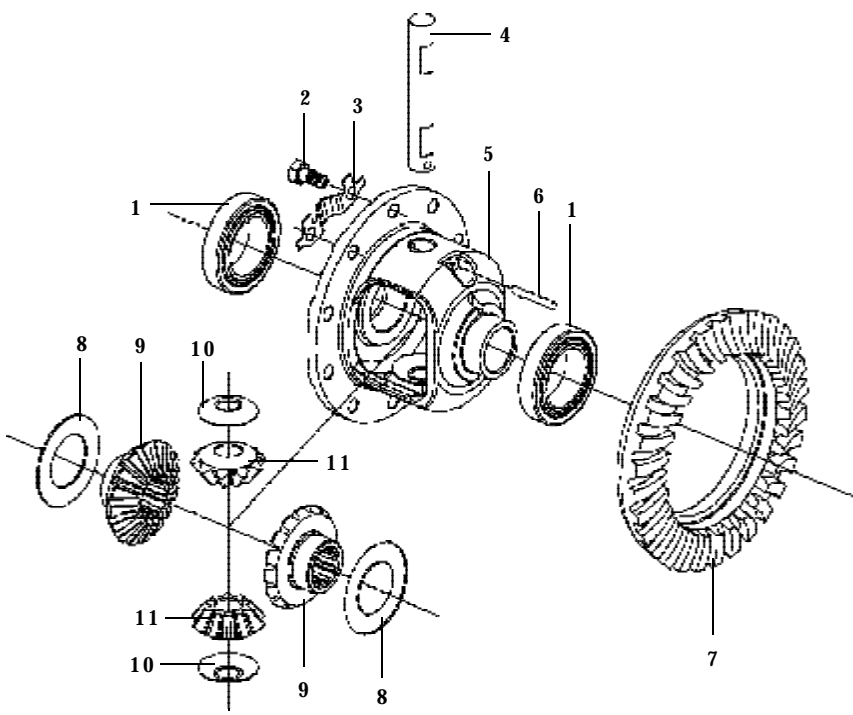
	序号 S/N	零部件名称 DESCRIPTION	零部件代码 PARTCODE	适用车型 VEHICLE MODEL	用量 QTY.	备注 REMARK
	1	后桥壳总成 REAR AXLE HOUSING ASSEMBLY	2401000- P01	P01 P51	1	
	2	垫圈 WASHER	2400012- D01	P01 P51	2	
	3	加油塞总成 FILLING PLUG ASSEMBLY	2400011- D01	P01 P51	1	
	4	放油塞总成 OIL DRAIN PLUG ASSEMBLY	2400020- D01	P01 P51	1	
	5	通气塞总成 BREATHER VALVE ASSEMBLY	2400030- D01	P01 P51	1	
	6	轴用压扁钢丝挡圈 RETAINER RING, SHAFT	2403105- P00	P01 P51	2	
	7	后轮轴承内油封座 INNER OIL SEAL SEAT, REAR WHEEL BEARING	2403104- P00	P01 P51	2	
	8	双列圆锥滚子轴承 DOUBLE- ROW TAPERED ROLLER BEARING	T428038	P01 P51	2	
	9	后轮轴承外油封总成 OUTER OIL SEAL ASSEMBLY, REAR WHEEL BEARING	2403120- P00	P01 P51	2	
	10	轴承座 - 后轮 BEARING SEAT, REAR WHEEL	2403102- P01	P01 P51	2	
	11	左后制动器总成 REAR BRAKE ASSEMBLY, LH	3502100- P01	P01 P51	1	
	12	螺栓 - 后轮轴承座 BOLT, REAR WHEEL BEARING SEAT	2403103- P00	P01 P51	8	
	13	半轴 AXLE SHAFT	2403101- P01	P01 P51	2	
	14	后车轮螺栓 REAR WHEEL BOLT	2403102- K00	P01 P51	12	
	15	后轮轴承内油封总成 INNER OIL SEAL ASSEMBLY, REAR WHEEL BEARING	2403130- P00	P01 P51	2	
		螺母 M12 × 1.25 NUT M12 × 1.25	Q340B12		8	

## 24- 02 后桥壳及半轴总成 REAR AXLE HOUSING AND AXLE SHAFT ASSEMBLY

44

序号 S/N	零部件名称 DESCRIPTION	零部件代码 PARTCODE	适用车型 VEHICLE MODEL	用量 QTY.	备注 REMARK	序号 S/N	零部件名称 DESCRIPTION	零部件代码 PARTCODE	适用车型 VEHICLE MODEL	用量 QTY.	备注 REMARK
	重型弹簧垫圈 1 2 WASHER $\Phi$ 12	Q40512		8							

## 24- 03 后差速器总成 REAR DIFFERENTIAL ASSEMBLY

	序号 S/N	零部件名称 DESCRIPTION	零部件代码 PARTCODE	适用车型 VEHICLE MODEL	用 量 QTY.	备注 REMARK	
	1	圆锥滚子轴承 TAPER ROLLER BEARING	32009	P00 P01 P02 P50 P51 P52	2		
	2	螺栓 - 紧固从动锥齿轮与差速器壳 BOLT, FIXING DRIVEN BEVEL GEAR AND DIFFERENTIAL HOUSING	2402021- D01- B1	P00 P01 P02 P50 P51 P52	10		
	3	锁片 - 从动锥齿轮螺栓 LOCKING PIECE, DRIVEN BEVEL GEAR BOLT	2402022- D01	P00 P01 P02 P50 P51 P52	5		
	4	行星齿轮轴 PLANETARY GEAR SHAFT	2403016- D01	P00 P01 P02 P50 P51 P52	1		
	5	差速器壳 DIFFERENTIAL HOUSING	2403011- D01	P00 P01 P02 P50 P51 P52	1		
	6	销 B6X50 PIN B6X50	Q5220650		1		
	7	从动锥齿轮 DRIVEN BEVEL GEAR	2402102- K09	P00 P01 P02 P50 P51 P52	2		
			从动锥齿轮 DRIVEN BEVEL GEAR	2402102- D62- A1	P00 P01 P02 P50 P51 P52	2	
	8	半轴齿轮止推垫片 THRUST WASHER, AXLE SHAFT	2403013- D01	P00 P01 P02 P50 P51 P52	2		
	9	半轴齿轮 AXLE SHAFT GEAR	2403012- D01- B	P00 P01 P02 P50 P51 P52	2		
	10	行星齿轮止推垫片 THRUST WASHER, PLANETARY GEAR	2403015- D01	P00 P01 P02 P50 P51 P52	2		
11	行星齿轮 PLANETARY GEAR	2403014- D01	P00 P01 P02 P50 P51 P52	2			

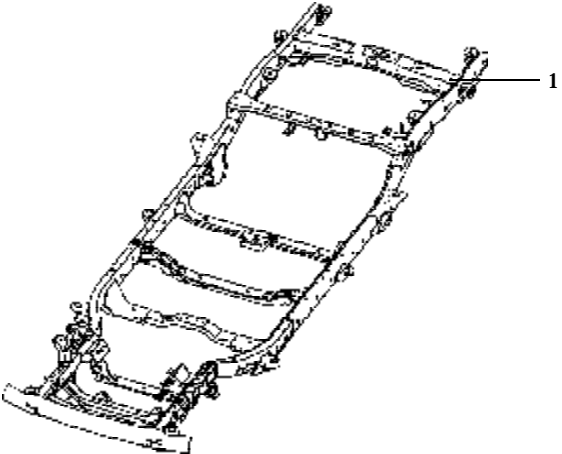
## 24- 04 后主减速器总成 REAR FINAL DRIVE ASSEMBLY

	序号 S/N	零部件名称 DESCRIPTION	零部件代码 PARTCODE	适用车型 VEHICLE MODEL	用量 QTY.	备注 REMARK
	1	螺母 - 主动锥齿轮突缘 NUT, DRIVE BEVEL GEAR FLANGE	2402024- D01- B1	P00 P01 P02 P50 P51 P52	1	M10 × 1.25
	2	平垫圈 - 主动锥齿轮突缘螺母 PLAIN WASHER, FLANGE NUT, DRIVE BEVEL GEAR	2402025- D01	P00 P01 P02 P50 P51 P52	1	
	3	主动锥齿轮突缘及挡尘罩总成 DRIVE BEVEL GEAR FLANGE & DUST COVER ASSEMBLY	2402300- D01- B	P00 P01 P02 P50 P51 P52	1	
	4	油封总成 - 主动锥齿轮 OIL SEAL ASSEMBLY, DRIVE BEVEL GEAR	2402200- D01	P00 P01 P02 P50 P51 P52	1	
	5	挡油盘 - 主动锥齿轮油封 OIL RETAINER PAN, DRIVE BEVEL GEAR OIL SEAL	2402023- D01	P00 P01 P02 P50 P51 P52	1	
	6	圆锥滚子轴承 TAPER ROLLER BEARING	30306	P00 P01 P02 P50 P51 P52	1	
	7	隔套 - 主动锥齿轮轴承 SPACER, DRIVE BEVEL GEAR BEARING	2402028- D01	P00 P01 P02 P50 P51 P52	1	
	8	调整垫圈 - 主动锥齿轮 ADJUSTING WASHER, DRIVE BEVEL GEAR	2402029- D01	P00 P01 P02 P50 P51 P52	2	
	9	减速器外壳 REDUCER HOUSING	2402101- K00	P00 P01 P02 P50 P51 P52	1	
	10	短柱螺栓 - 减速器 STUD BOLT - REDUCER (SHORT)	2402019- D01	P00 P01 P02 P50 P51 P52	8	
		长柱螺栓 - 减速器 STUD BOLT - REDUCER (LONG)	2402018- D01	P00 P01 P02 P50 P51 P52	2	
	11	调整环 ADJUSTING RING	2402026- D01	P00 P01 P02 P50 P51 P52	2	
	12	柱螺栓 - 紧固差速器轴承盖 STUD BOLT, FIXING DIFFERENTIAL BEARING CAP	2402013- D01	P00 P01 P02 P50 P51 P52	2	
	13	压盖 - 差速器轴承 CAP, DIFFERENTIAL BEARING	2402102- K00	P00 P01 P02 P50 P51 P52	4	
	14	左双耳止动垫圈 THRUST WASHER , LH	2402015- D01	P00 P01 P02 P50 P51 P52	2	
15	六角螺母 NUT	2402014- D01	P00 P01 P02 P50 P51 P52	4		

24- 04 后主减速器总成 REAR FINAL DRIVE ASSEMBLY

序号 S/N	零部件名称 DESCRIPTION	零部件代码 PARTCODE	适用车型 VEHICLE MODEL	用量 QTY.	备注 REMARK	序号 S/N	零部件名称 DESCRIPTION	零部件代码 PARTCODE	适用车型 VEHICLE MODEL	用量 QTY.	备注 REMARK
16	六角头螺栓 M8x16 BOLT M8X16	Q150B0816		4							
17	止动片 - 调整环 THRUST GASKET, ADJUSTING RING	2402027- D01	P00 P01 P02 P50 P51 P52	2							
18	主动锥齿轮 DRIVE BEVEL GEAR	2402101- K09	P00	1							
	主动锥齿轮 DRIVE BEVEL GEAR	2402101- D62- A1	P01	1							
19	圆锥滚子轴承 TAPER ROLLER BEARING	32307	P00 P01 P02 P50 P51 P52	1							
	六角螺母 M8 NUT M8	Q340B08		10							
	重型弹簧垫圈 8 WASHER $\Phi$ 8	Q40508		12							

## 28- 01 车架总成 FRAME ASSEMBLY

	序号 S/N	零部件名称 DESCRIPTION	零部件代码 PARTCODE	适用车型 VEHICLE MODEL	用量 QTY.	备注 REMARK	
	1	车架总成 FRAME ASSEMBLY	2800000- P00	P00	1		
		车架总成 FRAME ASSEMBLY	2800000- P01	P01	1		
		车架总成 FRAME ASSEMBLY	2800000- P02	P02	1		
		车架总成 FRAME ASSEMBLY	2800000- P50	P50	1		
		车架总成 FRAME ASSEMBLY	2800000- P51	P51	1		
		车架总成 FRAME ASSEMBLY	2800000- P52	P52	1		
	<p>注：以 2800000- P00 为基本车型</p> <p>2800000- P50      转向器支撑管在右侧</p> <p>2800000- P02      车架前段多两个前驱动桥吊架</p> <p>2800000- P52      车架前段多两个前驱动桥吊架，转向器支撑管在右侧</p> <p>2800000- P01      车架前段较 2800000- P00 车架少一个横梁，有两个圆柱型螺旋簧支座</p> <p>2800000- P51      转向机左右支撑位置与左舵相反，转向器支撑管在右侧</p> <p>REMARK: TAKE 2800000- P00 AS BASIC MODEL</p> <p>2800000- P50      STEERING GEAR SUPPORT TUBE IS ON THE RIGHT</p> <p>2800000- P02      FRONT UNIT OF FRAME HAS TWO MORE FRONT DRIVE AXLE HANGERS</p> <p>2800000- P52      FRONT UNIT OF FRAME HAS TWO MORE FRONT DRIVE AXLE HANGERS, STEERING GEAR SUPPORT TUBE IS ON THE RIGHT</p> <p>2800000- P01      FRONT UNIT OF FRAME LACK ONE CROSSMEMBER COMPARED WITH 2800000- P00, TWO CYLINDRICAL COIL SPRING BASES INSTEAD</p> <p>2800000- P51      THE LOCATION OF LEFT AND RIGHT SUPPORT OF STEERING GEAR IS ADVERSE TO LEFT HAND DRIVE, STEERING GEAR SUPPORT TUBE IS ON THE RIGHT</p>						



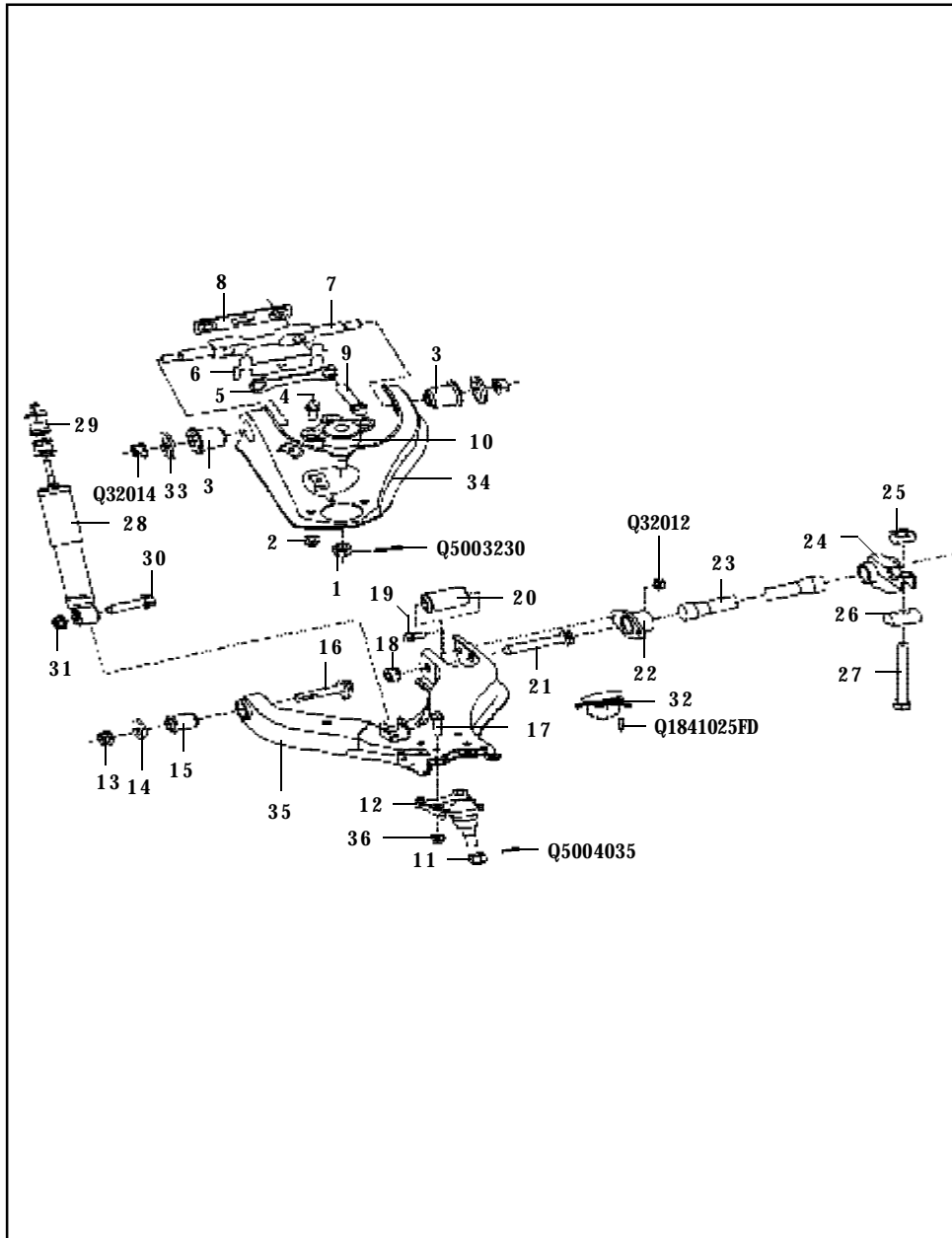
## 29- 01 前悬架总成 FRONT SUSPENSION ASSEMBLY

	序号 S/N	零部件名称 DESCRIPTION	零部件代码 PARTCODE	适用车型 VEHICLE MODEL	用 量 QTY.	备注 REMARK
	1	前横向稳定杆连接杆总成 LINKAGE ASSEMBLY, FRONT STABILIZER BAR	2906100- P01	P01 P51	2	
	2	右上摆臂装配总成 UPPER CONTROL ARM ASSEMBLY, RH	2904200- P01	P01 P51	1	
	3	前横向稳定杆 FRONT STABILIZER BAR	2906011- P01	P01 P51	1	
	4	前横向稳定杆衬套 BUSHING, FRONT STABILIZER BAR	2906012- P01	P01 P51	2	
	5	前横向稳定杆衬套卡箍 BUSHING CLIP, FRONT STABILIZER BAR	2906013- P01	P01 P51	2	
	6	螺旋簧 COIL SPRING	2902011- P01	P01 P51	2	
	7	左上摆臂装配总成 UPPER CONTROL ARM ASSEMBLY, LH	2904100- P01	P01 P51	1	
	8	左下摆臂装配总成 LOWER CONTROL ARM ASSEMBLY, LH	2904300- P01	P01 P51	1	
	9	下摆臂缓冲块总成 BUFFER STOPPER ASSEMBLY, LOWER CONTROL ARM	2904020- P01	P01 P51	1	
	10	右下摆臂装配总成 LOWER CONTROL ARM ASSEMBLY, RH	2904400- P01	P01 P51	1	
	11	槽型螺母 NUT	2904348- K00	P00 P01 P02 P50 P51 P52	2	
		六角法兰面螺母 NUT	Q32010		6	M10 × 1.25
		开口销 3.2 × 30 COTTER PIN 3.2 × 30	Q5003230		2	
		开口销 4 × 36 COTTER PIN 4 × 36	Q5004036		2	
		六角法兰面螺栓 BOLT	Q1841025FD		4	M10 × 1.25
		六角法兰面螺栓 BOLT	Q1841470FD		2	M14 × 1.5

## 29- 02 前悬架总成 FRONT SUSPENSION ASSEMBLY

	序号 S/N	零部件名称 DESCRIPTION	零部件代码 PARTCODE	适用车型 VEHICLE MODEL	用量 QTY.	备注 REMARK
	1	平垫圈 WASHER	2906301- K00	P01 P51	4	
	2	前悬架滑柱总成 SHOCK- ABSORBER STRUT ASSEMBLY	2901010- P01	P01 P51	2	
	3	偏心调整垫片二 ECCENTRIC ADJUSTING SHIM, NO. 2	2904012- P01	P01 P51	4	
	4	下摆臂轴螺栓总成 BOLT, LOWER CONTROL ARM SHAFT	2904010- P01	P01 P51	4	
	5	六角法兰面螺母 NUT	2912102- P00	P01 P51	4	
		六角法兰面螺栓 BOLT	Q1840820FD		4	
		六角法兰面螺母 NUT	Q32010		4	M10 × 1.25
		六角法兰面螺母 NUT	Q32016		4	M16 × 1.5
		六角法兰面螺栓 BOLT	Q1841475FD		4	M14 × 1.5

## 29- 03 上下摆臂 UPPER/LOWER CONTROL ARM



序号 S/N	零部件名称 DESCRIPTION	零部件代码 PARTCODE	适用车型 VEHICLE MODEL	用量 QTY	备注 REMARK
1	槽型螺母 NUT	2904138- K00	P00 P01 P02 P50 P51 P52	2	M14 × 1.5
2	六角法兰面螺母 M10 × 1.25 NUT M10 × 1.25	Q32010		6	M10 × 1.25
3	上摆臂轴套总成 BUSHING ASSEMBLY, UPPER CONTROL ARM SHAFT	2904140- K00	P00 P02 P50 P52	4	
4	螺栓 - 上摆臂球销座 BOLT	2904103- K00	P00 P02 P50 P52	6	
5	上摆臂固定长垫片 LONG SHIM, UPPER CONTROL ARM	2904013- K00	P00 P02 P50 P52	2	
6	调整垫片 ADJUSTING SHIM	2904014- K00	P00 P02 P50 P52	按 需	料厚 t= 3 material thickness t=3
	调整垫片二 ADJUSTING SHIM, NO. 2	2904015- K00	P00 P02 P50 P52	按 需	料厚 t= 1.5 material thickness t=1.5
	调整垫片三 ADJUSTING SHIM, NO. 3	2904016- K00	P00 P02 P50 P52	按 需	料厚 t= 3 material thickness t=3
	调整垫片四 ADJUSTING SHIM, NO. 4	2904017- K00	P00 P02 P50 P52	按 需	料厚 t= 1.5 material thickness t=1.5
	调整垫片五 ADJUSTING SHIM, NO. 5	2904018- K00	P00 P02 P50 P52	按 需	料厚 t= 0.5 material thickness t=0.5
7	上摆臂轴 UPPER CONTROL ARM SHAFT ASSEMBLY	2904101- K00	P00 P02 P50 P52	2	
8	上摆臂安装螺母及连接板总成 CONNECTING NUT & NUT PLATE ASSEMBLY, UPPER CONTROL ARM	2904070- K00	P00 P02 P50 P52	2	
9	上摆臂轴固定螺栓 FIXING BOLT, UPPER CONTROL ARM SHAFT	2904011- K00	P00 P02 P50 P52	4	M14 × 1.5 × 70
10	上摆臂球销总成 BALL STUD, UPPER CONTROL ARM	2904130- K00	P00 P02 P50 P52	2	
11	槽型螺母 NUT	2904348- K00	P00 P01 P02 P50 P00 P52	2	M18 × 1.5
12	下摆臂球销总成 BALL STUD, LOWER CONTROL ARM	2904330- K00	P00 P02 P50 P52	2	

29- 03 上下摆臂 UPPER/LOWER CONTROL ARM

序号 S/N	零部件名称 DESCRIPTION	零部件代码 PARTCODE	适用车型 VEHICLE MODEL	用量 QTY.	备注 REMARK	序号 S/N	零部件名称 DESCRIPTION	零部件代码 PARTCODE	适用车型 VEHICLE MODEL	用量 QTY.	备注 REMARK
13	六角法兰面螺母 NUT	GB6177- 86	P00 P02 P50 P52	2	M16 × 1.5	27	扭杆弹簧调整螺栓 HEIGHT ADJUSTMENT BOLT	2902015- K00	P00 P02 P50 P52	2	
14	偏心调整垫片二 ECCENTRIC ADJUSTING SHIM, NO. 2	2904021- K00- B1	P00 P02 P50 P52	2		28	前减振器总成 FRONT SHOCK ABSORBER ASSEMBLY	2905100- K00- A1	P00 P02 P50 P52	2	
15	下摆臂前轴套 BUSHING ASSEMBLY, LOWER CONTROL ARM	2904330- K00	P00 P02 P50 P52	2		29	前减振器胶套 FRONT SHOCK ABSORBER RUBBER BUSHING	2905104- K00- B1	P00 P02 P50 P52	4	
16	下摆臂前轴螺栓总成 BOLT ASSEMBLY, FRONT SHAFT, LOWER CONTROL ARM	2904020- K00- A1	P00 P02 P50 P52	2	M16 × 1.5 × 100	30	六角法兰面螺栓 - 加大系列 BOLT - OVERSIZE SERIES	Q1861260FD		2	M12 × 1.25 × 60
17	螺栓 - 下摆臂球销座 BOLT	2904301- K00	P00 P02 P50 P52	8	M12 × 1.25 × 35	31	六角法兰面螺母 NUT	Q32012FD		2	M12 × 1.25
18	下摆臂后轴螺母 NUT, REAR SHAFT , LOWER CONTROL ARM	2904062- K00	P00 P02 P50 P52	2	M18 × 1.5	32	左下摆臂缓冲块总成 LOWER CONTROL ARM BUFFER- STOPPER, LH	2904030- K00- B1	P00 P02 P50 P52	1	
19	扭杆座连接螺栓 CONNECTING BOLT, TORSION BAR	2904302- K00	P00 P02 P50 P52	4			右下摆臂缓冲块总成 LOWER CONTROL ARM BUFFER- STOPPER, RH	2904040- K00- B1	P00 P02 P50 P52	1	
20	下摆臂后轴套总成 REAR SHAFT BUSHING ASSEMBLY, LOWER CONTROL ARM	2904050- K00	P00 P02 P50 P52	2	M12 × 1.25 × 30	33	上摆臂胶套垫片 SHIM, BUSHING, UPPER CONTROL ARM SHAFT	2904102- K00	P00 P02 P50 P52	2	
21	下摆臂后轴 REAR SHAFT, LOWER CONTROL ARM	2904061- K00	P00 P02 P50 P52	2		34	左上摆臂焊接总成 UPPER CONTROL ARM WELDMENT ASSEMBLY, LH	2904110- K00	P00 P02 P50 P52	1	
22	扭杆座焊接总成 TORSION BAR MOUNT SEAT ASSEMBLY	2904380- K00	P00 P02 P50 P52	2			右上摆臂焊接总成 UPPER CONTROL ARM WELDMENT ASSEMBLY, RH	2904120- K00	P00 P02 P50 P52	1	
23	左扭杆弹簧 TORSION BAR, LH	2902011- K00	P00 P02 P50 P52	1		35	左下摆臂焊接总成 LOWER CONTROL ARM WELDMENT ASSEMBLY, LH	2904310- K00	P00 P02 P50 P52	1	
	右扭杆弹簧 TORSION BAR, RH	2902012- K00	P00 P02 P50 P52	1			右下摆臂焊接总成 LOWER CONTROL ARM WELDMENT ASSEMBLY, RH	2904320- K00	P00 P02 P50 P52	1	
24	左扭杆弹簧调整臂总成 ADJUSTING ARM ASSEMBLY, TORSION BAR, LH	2902100- K00	P00 P02 P50 P52	1		36	螺母 - 紧固下摆臂球销座 NUT	2904303- K00	P00 P02 P50 P52	4	
	右扭杆弹簧调整臂总成 ADJUSTING ARM ASSEMBLY, TORSION BAR, RH	2902200- K00	P00 P02 P50 P52	1			六角法兰面螺栓 BOLT	Q1841025FD	P00 P01 P02 P50 P51 P52	4	M10 × 1.25 × 20
25	扭杆弹簧调整上垫块 UPPER SWIVEL BLOCK, TORSION BAR	2902013- K00	P00 P02 P50 P52	2			开口销 3.2 × 30 COTTER PIN 3.2 × 30	Q5003230	P00 P01 P02 P50 P51 P52	4	
26	扭杆弹簧调整下垫块 LOWER SWIVEL BLOCK, TORSION BAR	2902014- K00	P00 P02 P50 P52	2			开口销 4 × 35 COTTER PIN 4 × 35	Q5004035		2	

29- 03 上下摆臂 UPPER/LOWER CONTROL ARM

序号 S/N	零部件名称 DESCRIPTION	零部件代码 PARTCODE	适用车型 VEHICLE MODEL	用量 QTY.	备注 REMARK	序号 S/N	零部件名称 DESCRIPTION	零部件代码 PARTCODE	适用车型 VEHICLE MODEL	用量 QTY.	备注 REMARK
	六角法兰面螺母 NUT	Q32012FD		2	M12 × 1.25						
	六角法兰面螺母 NUT	Q32014		4	M14 × 1.5						

## 29- 04 左上臂安装组合件 LEFT UPPER CONTROL ARM ASSEMBLY

	序号 S/N	零部件名称 DESCRIPTION	零部件代码 PARTCODE	适用车型 VEHICLE MODEL	用 量 QTY.	备注 REMARK	
	1	上摆臂轴套总成 BUSHING ASSEMBLY, UPPER CONTROL ARM SHAFT	2904130- P01	P01 P51	2		
	2	左上摆臂焊接总成 UPPER CONTROL ARM WELDMENT ASSEMBLY, LH	2904110- P01	P01 P51	1		
	3	上球销总成 BALL STUD ASSEMBLY, UPPER CONTROL ARM	2904140- P01	P01 P51	1		
	4	槽型螺母 NUT	2904138- K00	P00 P01 P02 P50 P51 P52	1		
			开口销 3.2 × 30 COTTER PIN 3.2 × 30	Q5003230		1	φ 3.2 × 30
			重型弹簧垫圈 8 WASHER Φ 8	Q40508		4	
			螺栓 M8 × 25 BOLT M8 × 25	Q150B0825		4	
			六角螺母 M8 NUT M8	Q340B08		4	

29- 05 右上臂安装组合件 RIGHT UPPER CONTROL ARM ASSEMBLY

序号 S/N	零部件名称 DESCRIPTION	零部件代码 PARTCODE	适用车型 VEHICLE MODEL	用量 QTY.	备注 REMARK	序号 S/N	零部件名称 DESCRIPTION	零部件代码 PARTCODE	适用车型 VEHICLE MODEL	用量 QTY.	备注 REMARK
1	上摆臂轴套总成 BUSHING ASSEMBLY, UPPER CONTROL ARM SHAFT	2904130- P01	P01 P51	2							
2	右上摆臂焊接总成 UPPER CONTROL ARM WELDMENT ASSEMBLY, RH	2904120- P01	P01 P51	1							
3	上球销总成 BALL STUD ASSEMBLY, UPPER CONTROL ARM	2904140- P01	P01 P51	1							
4	槽型螺母 NUT	2904138- K00	P00 P01 P02 P50 P51 P52	1							
	开口销 3.2 × 30 COTTER PIN 3.2 × 30	Q5003230		1	φ 3.2 × 30						
	重型弹簧垫圈 8 WASHER Φ 8	Q40508		4							
	螺栓 M8 × 25 BOLT M8 × 25	Q150B0825		4							
	六角螺母 M8 NUT M8	Q340B08		4							

## 29- 06 左下摆臂装配总成 LEFT LOWER CONTROL ARM ASSEMBLY

56

	序号 S/N	零部件名称 DESCRIPTION	零部件代码 PARTCODE	适用车型 VEHICLE MODEL	用 量 QTY.	备注 REMARK
	1	六角法兰面螺母 M16 × 1.5 NUT 16 × 1.5	GB6177- 86	P01 P51	2	
	2	偏心调整垫片二 ECCENTRIC ADJUSTING SHIM, NO.2	2904012- P01	P01 P51	2	
	3	下摆臂轴套总成 BUSHING & SLEEVE ASSEMBLY, LOWER CONTROL ARM	2904330- P01	P01 P51	2	
	4	左下摆臂焊接总成 LOWER CONTROL ARM WELDMENT ASSEMBLY, LH	2904310- P01	P01 P51	1	
	5	下摆臂轴螺栓总成 BOLT, LOWER CONTROL ARM SHAFT	2904010- P01	P01 P51	2	
	6	螺栓 - 下摆臂球销座 BOLT	2904301- K00	P01 P51	4	
	7	下摆臂球销总成 BALL STUD, LOWER CONTROL ARM	2904340- K00	P01 P51	1	
	8	上摆臂扭杆连接螺母 CONNECTING NUT, TORSION BAR	2904104- F00	P01 P51	4	
	9	槽型螺母 NUT 开口销 4 × 35 COTTER PIN 4 × 35	2904348- K00  Q5004035	P00 P01 P02 P50 P51 P52	1  1	  φ 4 × 35



29- 07 右下摆臂装配总成 RIGHT LOWER CONTROL ARM ASSEMBLY

序号 S/N	零部件名称 DESCRIPTION	零部件代码 PARTCODE	适用车型 VEHICLE MODEL	用量 QTY.	备注 REMARK	序号 S/N	零部件名称 DESCRIPTION	零部件代码 PARTCODE	适用车型 VEHICLE MODEL	用量 QTY.	备注 REMARK
1	六角法兰面螺母 M16 × 1.5 NUT M16 × 1.5	GB6177- 86	P01 P51	2							
2	偏心调整垫片二 ECCENTRIC ADJUSTING SHIM, NO. 2	2904012- P01	P01 P51	2							
3	下摆臂轴套总成 BUSHING & SLEEVE ASSEMBLY, LOWER CONTROL ARM	2904330- P01	P01 P51	2							
4	右下摆臂焊接总成 LOWER CONTROL ARM WELDMENT ASSEMBLY, RH	2904320- P01	P01 P51	1							
5	下摆臂轴螺栓总成 BOLT, LOWER CONTROL ARM SHAFT	2904010- P01	P01 P51	2							
6	螺栓 - 下摆臂球销座 BOLT	2904301- K00	P01 P51	4							
7	下摆臂球销总成 BALL STUD, LOWER CONTROL ARM	2904340- K00	P01 P51	1							
8	上摆臂扭杆连接螺母 CONNECTING NUT, TORSION BAR	2904104- F00	P01 P51	4							
9	槽型螺母 NUT	2904348- K00	P00 P01 P02 P50 P51 P52	1							
	开口销 4 × 35 COTTER PIN 4 × 35	Q5004035		1							

## 29- 08 前悬架横向稳定杆装置 FRONT SUSPENSION STABILIZER BAR INSTALLATION

58

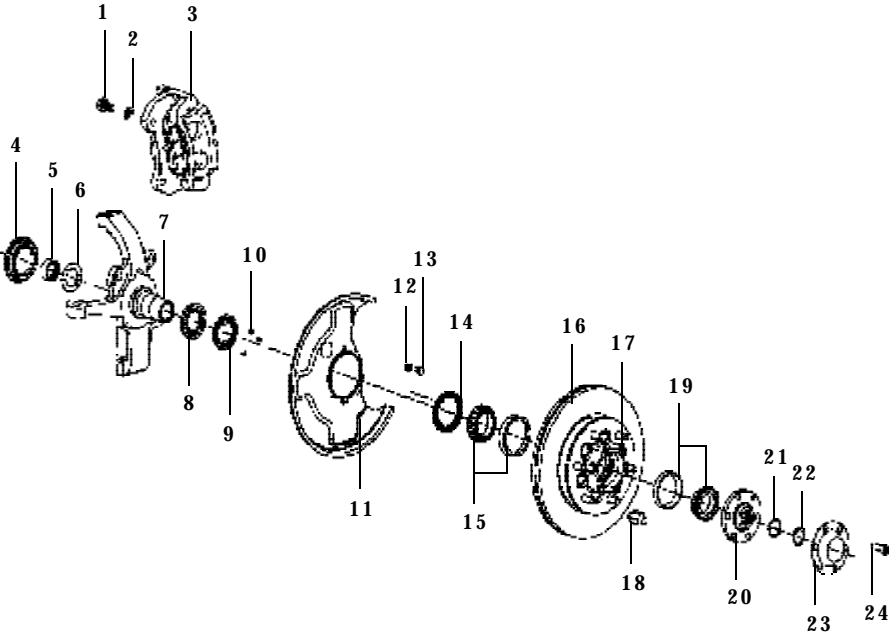
	序号 S/N	零部件名称 DESCRIPTION	零部件代码 PARTCODE	适用车型 VEHICLE MODEL	用量 QTY.	备注 REMARK
	1	前横向稳定杆 FRONT STABILIZER BAR	2906011- K00	P00 P02 P50 P52	1	
	2	前横向稳定杆衬套 BUSHING, FRONT STABILIZER BAR	2906012- K00	P00 P02 P50 P52	2	
	3	前横向稳定杆衬套卡箍 BUSHING CLIP, FRONT STABILIZER BAR	2906013- K00	P00 P02 P50 P52	2	
	4	前横向稳定杆左连接杆总成 LEFT LINKAGE ASSEMBLY, FRONT STABILIZER BAR	2906300- K00	P00 P02 P50 P52	1	
	5	前横向稳定杆右连接杆总成 RIGHT LINKAGE ASSEMBLY, FRONT STABILIZER BAR	2906400- K00	P00 P02 P50 P52	1	
	6	平垫圈 WASHER	2906301- K00	P00 P02 P50 P52	4	
	7	六角法兰面螺母 NUT	Q32010FD		4	M10 × 1.25
	8	六角法兰面螺栓 BOLT	Q1840820FD		4	M8 × 1.25 × 20
	9	前横向稳定杆 FRONT STABILIZER BAR	2906011- P01	P01 P51	1	
	10	前横向稳定杆连接杆总成 LINKAGE ASSEMBLY, FRONT STABILIZER BAR	2906100- P01	P01 P51	2	

## 29- 09 后悬架总成 REAR SUSPENSION ASSEMBLY

	序号 S/N	零部件名称 DESCRIPTION	零部件代码 PARTCODE	适用车型 VEHICLE MODEL	用量 QTY.	备注 REMARK
	1	后钢板弹簧总成 REAR LEAF SPRING ASSEMBLY	2912110- P00	P00 P02 P50 P52	2	
	2	钢板弹簧后吊耳总成 REAR SHACKLE ASSEMBLY, LEAF SPRING	2912120- P00	P00 P01 P02 P50 P51 P52	2	
	3	钢板弹簧橡胶衬套 RUBBER BUSHING, LEAF SPRING	2912104- P00	P00 P01 P02 P50 P51 P52	8	
	4	六角法兰面螺母 NUT	2912102- P00	P00 P01 P02 P50 P51 P52	14	
	5	钢板弹簧后吊耳挡板 REAR SHACKLE PLATE, LEAF SPRING	2912103- P00	P00 P01 P02 P50 P51 P52	2	
	6	钢板弹簧前销轴 LEAF- SPRING FRONT PIN	2912101- P00	P00 P01 P02 P50 P51 P52	2	
	7	钢板弹簧 U 型螺栓 U- BOLT, LEAF SPRING	2912106- P00	P00 P01 P02 P50 P51 P52	4	
	8	钢板弹簧 U 型螺栓护板 U- BOLT PLATE, LEAF SPRING	2912105- P00	P00 P01 P02 P50 P51 P52	2	
	9	左托瓦总成 LEAF SPRING SEAT ASSEMBLY, LH	2912130- P00	P00 P01 P02 P50 P51 P52	1	
		右托瓦总成 LEAF SPRING SEAT ASSEMBLY, RH	2912140- P00	P00 P01 P02 P50 P51 P52	1	
	10	后减振器固定垫片一 FIXING SHIM, NO. 1, REAR SHOCK ABSORBER	2915101- P00	P00 P01 P02 P50 P51 P52	4	
	11	后减振器总成 REAR SHOCK ABSORBER ASSEMBLY	2915100- P00	P00 P02 P50 P52	2	
	12	后减振器固定垫片二 FIXING SHIM, NO. 2, REAR SHOCK ABSORBER	2915102- P00	P00 P01 P02 P50 P51 P52	4	
	后缓冲块总成 REAR BUFFER STOPPER ASSEMBLY	2912210- P00	P00 P02 P50 P52	2		
	平垫圈 WASHER	Q40114FD			2	
	六角法兰面螺栓 M10 × 1.25 BOLT M10 × 1.25	Q1841025FD			4	

29- 09 后悬架总成 REAR SUSPENSION ASSEMBLY

序号 S/N	零部件名称 DESCRIPTION	零部件代码 PARTCODE	适用车型 VEHICLE MODEL	用量 QTY.	备注 REMARK	序号 S/N	零部件名称 DESCRIPTION	零部件代码 PARTCODE	适用车型 VEHICLE MODEL	用量 QTY.	备注 REMARK
	六角法兰面螺母 M12 × 1.25 NUT M12 × 1.25	Q32012FD		4							

	序号 S/N	零部件名称 DESCRIPTION	零部件代码 PARTCODE	适用车型 VEHICLE MODEL	用量 QTY.	备注 REMARK
		左转向节及轮毂制动器装配总成 LEFT STEERING KNUCKLE & WHEEL BRAKE ASSEMBLY	3001100- K01- B1	P02 P52	1	
	1	紧固制动钳螺栓 BOLT, FIXING BRAKE CALIPER	3001101- K00	P02 P52	2	
	2	弹簧垫圈 φ 14 WASHER Φ 14	Q40314F9		2	
	3	左前制动钳总成 FRONT BRAKE CALIPER ASSEMBLY, LH	3501100- K00	P02 P52	3	
	4	油封 - 转向节 OIL SEAL, STEERING KNUCKLE	3001130- K01	P02 P52	1	
	5	滚针轴承 - 转向节 NEEDLE ROLLER BEARING, STEERING KNUCKLE	HK3016- 00	P02 P52	1	
	6	止推片 - 转向节 THRUST WASHER, STEERING KNUCKLE	3001113- K01	P02 P52	1	
	7	左转向节 STEERING KNUCKLE, LH	3001111- K01- B1	P02 P52	1	
	8	锁紧螺母 - 转向节轴承 NUT, STEERING KNUCKLE BEARING	3001102- K00	P02 P52	1	
	9	止动挡圈 - 锁紧螺母 THRUST RING, NUT, STEERING KNUCKLE	3001103- K00	P02 P52	1	
	10	螺钉 - 止动挡圈 SCREW, THRUST RING	3001104- K00	P02 P52	3	
	11	左前制动盘罩壳 FRONT BRAKE HOUSING, LH	3001113- K00- B1	P02 P52	1	
	12	轻型弹簧垫圈 φ 8 WASHER Φ 8	Q40408		3	
	13	螺栓 - 前制动器罩壳 BOLT, FRONT BRAKE HOUSING	3001115- K00- B1	P02 P52	3	
	14	前轮毂油封总成 OIL SEAL ASSEMBLY, FRONT WHEEL HUB	3103110- K00	P02 P52	1	
	15	内轴承 - 转向节 INNER BEARING, STEERING KNUCKLE	XAA32009X	P02 P52	1	

## 30- 01 4WD 前轮毂和左转向节 4WD FRONT HUB AND LEFT STEERING KNUCKLE

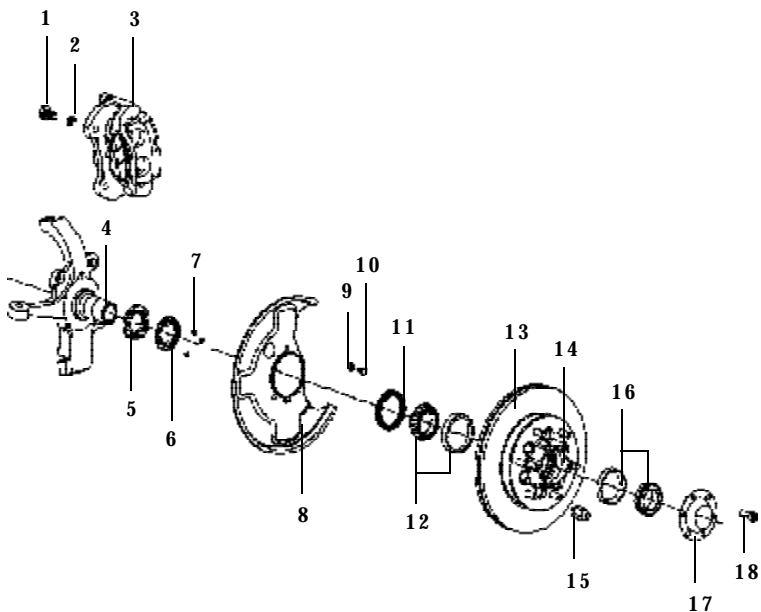
62

序号 S/N	零部件名称 DESCRIPTION	零部件代码 PARTCODE	适用车型 VEHICLE MODEL	用量 QTY.	备注 REMARK	序号 S/N	零部件名称 DESCRIPTION	零部件代码 PARTCODE	适用车型 VEHICLE MODEL	用量 QTY.	备注 REMARK
16	前制动盘 FRONT BRAKE DISC	3103102- K00	P02 P52	1							
17	前轮轮毂 FRONT WHEEL HUB	3103101- K00	P02 P52	1							
18	车轮螺母 WHEEL NUT	3103104- K00	P02 P52	6							
19	外轴承 - 转向节 OUTER BEARING, STEERING KNUCKLE	32008X	P02 P52	1							
20	法兰盘 - 前驱动轴 FLANGE, FRONT DRIVE SHAFT	3001101- K01	P02 P52	1							
21	调节垫圈 ADJUSTING WASHER	2300014- K01	P02 P52	需							
22	卡簧 SNAP RING	2300011- K01	P02 P52	1							
23	前轮毂盖 FRONT WHEEL HUB CAP	3001107- K00	P02 P52	1							
24	螺钉 - 前驱动轴法兰盘 SCREW, FRONT DRIVE SHAFT FLANGE	3001102- K01	P02 P52	6							

## 30- 02 4WD 前轮毂和右转向节 4WD FRONT HUB AND RIGHT STEERING KNUCKLE

序号 S/N	零部件名称 DESCRIPTION	零部件代码 PARTCODE	适用车型 VEHICLE MODEL	用量 QTY.	备注 REMARK	序号 S/N	零部件名称 DESCRIPTION	零部件代码 PARTCODE	适用车型 VEHICLE MODEL	用量 QTY.	备注 REMARK
	右转向节及轮毂制动器装配总成 RIGHT STEERING KNUCKLE & WHEEL BRAKE ASSEMBLY	3001200- K01- B1	P02 P52	1		16	前制动盘 FRONT BRAKE DISC	3103102- K00	P02 P52	1	
1	紧固制动钳螺栓 BOLT, FIXING BRAKE CALIPER	3001101- K00	P02 P52	2		17	前轮轮毂 FRONT WHEEL HUB	3103101- K00	P02 P52	1	
2	弹簧垫圈 φ 14 WASHER Φ 14	Q40314F9		2		18	车轮螺母 WHEEL NUT	3103104- K00	P02 P52	6	
3	右前制动钳总成 FRONT BRAKE CALIPER ASSEMBLY, RH	3501200- K00	P02 P52	3		19	外轴承 - 转向节 OUTER BEARING, STEERING KNUCKLE	32008X	P02 P52	1	
4	油封 - 转向节 OIL SEAL, STEERING KNUCKLE	3001130- K01	P02 P52	1		20	法兰盘 - 前驱动轴 FLANGE, FRONT DRIVE SHAFT	3001101- K01	P02 P52	1	
5	滚针轴承 - 转向节 NEEDLE ROLLER BEARING, STEERING KNUCKLE	HK3016- 00	P02 P52	1		21	调节垫圈 ADJUSTING WASHER	2300014- K01	P02 P52	需	
6	止推片 - 转向节 THRUST WASHER, STEERING KNUCKLE	3001113- K01	P02 P52	1		22	卡簧 SNAP RING	2300011- K01	P02 P52	1	
7	右转向节 STEERING KNUCKLE, RH	3001112- K01- B1	P02 P52	1		23	前轮毂盖 FRONT WHEEL HUB CAP	3001107- K00	P02 P52	1	
8	锁紧螺母 - 转向节轴承 NUT, STEERING KNUCKLE BEARING	3001102- K00	P02 P52	1		24	螺钉 - 前驱动轴法兰盘 SCREW, FRONT DRIVE SHAFT FLANGE	3001102- K01	P02 P52	6	
9	止动挡圈 - 锁紧螺母 THRUST RING, NUT, STEERING KNUCKLE	3001103- K00	P02 P52	1							
10	螺钉 - 止动挡圈 SCREW, THRUST RING	3001104- K00	P02 P52	3							
11	右前制动盘罩壳 FRONT BRAKE HOUSING, RH	3001114- K00- B1	P02 P52	1							
12	轻型弹簧垫圈 φ 8 WASHER Φ 8	Q40408		3							
13	螺栓 - 前制动器罩壳 BOLT, FRONT BRAKE HOUSING	3001115- K00- B1	P02 P52	3							
14	前轮毂油封总成 OIL SEAL ASSEMBLY, FRONT WHEEL HUB	3103110- K00	P02 P52	1							
15	内轴承 - 转向节 INNER BEARING, STEERING KNUCKLE	XAA32009X	P02 P52	1							

序号 S/N	零部件名称 DESCRIPTION	零部件代码 PARTCODE	适用车型 VEHICLE MODEL	用量 QTY.	备注 REMARK
	左转向节及轮毂制动器装配总成 LEFT STEERING KNUCKLE & WHEEL BRAKE ASSEMBLY	3001100- K00- B1	P00 P50	1	
1	紧固前制动钳螺栓 BOLT, FIXING FRONT BRAKE CALIPER	3001101- K00	P00 P50	2	
2	弹簧垫圈 $\phi$ 14 WASHER $\phi$ 14	Q40314F9		2	
3	左前制动钳总成 FRONT BRAKE CALIPER ASSEMBLY, LH	3501100- K00	P00 P50	1	
4	左转向节 STEERING KNUCKLE, LH	3001111- K00- B1	P00 P50	1	
5	锁紧螺母 - 转向节轴承 NUT, STEERING KNUCKLE BEARING	3001102- K00	P00 P50	1	
6	止动挡圈 - 锁紧螺母 THRUST RING, NUT, STEERING KNUCKLE	3001103- K00	P00 P50	1	
7	螺钉 - 止动挡圈 SCREW, THRUST RING	3001104- K00	P00 P50	3	
8	左前制动盘罩壳 FRONT BRAKE HOUSING, LH	3001113- K00- B1	P00 P50	1	
9	轻型弹簧垫圈 $\phi$ 8 WASHER $\phi$ 8	Q40408		3	
10	螺栓 - 前制动器罩壳 BOLT, FRONT BRAKE HOUSING	3001115- K00- B1	P00 P50	3	
11	前轮毂油封总成 OIL SEAL ASSEMBLY, FRONT WHEEL HUB	3103110- K00	P00 P50	1	
12	内轴承 - 转向节 INNER BEARING, STEERING KNUCKLE	XAA32009X	P00 P50	1	
13	前制动盘 FRONT BRAKE DISC	3103102- K00	P00 P50	1	
14	前轮轮毂 FRONT WHEEL HUB	3103101- K00	P00 P50	1	
15	车轮螺母 WHEEL NUT	3103104- K00	P00 P50	6	





## 30- 03 2WD 前轮毂和左转向节 2WD FRONT HUB AND LEFT STEERING KNUCKLE

65

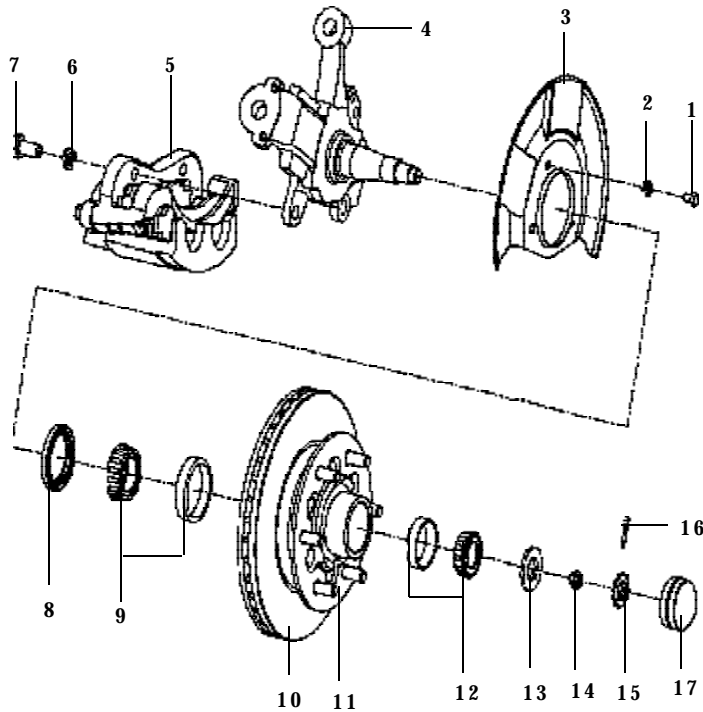
序号 S/N	零部件名称 DESCRIPTION	零部件代码 PARTCODE	适用车型 VEHICLE MODEL	用量 QTY.	备注 REMARK	序号 S/N	零部件名称 DESCRIPTION	零部件代码 PARTCODE	适用车型 VEHICLE MODEL	用量 QTY.	备注 REMARK
16	外轴承 - 转向节 OUTER BEARING, STEERING KNUCKLE	32008X	P00 P50	1							
17	前轮毂盖 FRONT WHEEL HUB CAP	3001107- K00	P00 P50	1							
18	内六角圆柱头螺钉 SCREW	Q218B1020		6							

## 30- 04 2WD 前轮毂和右转向节 2WD FRONT HUB AND RIGHT STEERING KNUCKLE

66

序号 S/N	零部件名称 DESCRIPTION	零部件代码 PARTCODE	适用车型 VEHICLE MODEL	用量 QTY.	备注 REMARK	序号 S/N	零部件名称 DESCRIPTION	零部件代码 PARTCODE	适用车型 VEHICLE MODEL	用量 QTY.	备注 REMARK
1	右转向节及轮毂制动器装配总成 RIGHT STEERING KNUCKLE & WHEEL BRAKE ASSEMBLY	3001100- K00- B1	P00 P50	1		16	外轴承 - 转向节 OUTER BEARING, STEERING KNUCKLE	32008X	P00 P50	1	
2	紧固前制动钳螺栓 BOLT, FIXING FRONT BRAKE CALIPER	3001101- K00	P00 P50	2		17	前轮毂盖 FRONT WHEEL HUB CAP	3001107- K00	P00 P50	1	
3	弹簧垫圈 φ 14 WASHER Φ 14	Q40314F9		2		18	内六角圆柱头螺钉 SCREW	Q218B1020		6	
4	右前制动钳总成 FRONT BRAKE CALIPER ASSEMBLY, RH	3501200- K00	P00 P50	1							
5	右转向节 STEERING KNUCKLE, RH	3001112- K00- B1	P00 P50	1							
6	锁紧螺母 - 转向节轴承 NUT, STEERING KNUCKLE BEARING	3001102- K00	P00 P50	1							
7	止动挡圈 - 锁紧螺母 THRUST RING, NUT, STEERING KNUCKLE	3001103- K00	P00 P50	1							
8	螺钉 - 止动挡圈 SCREW, THRUST RING	3001104- K00	P00 P50	3							
9	右前制动器罩壳 FRONT BRAKE HOUSING, RH	3001114- K00- B1	P00 P50	1							
10	轻型弹簧垫圈 φ 8 WASHER Φ 8	Q40408		3							
11	螺栓 - 前制动盘罩壳 BOLT, FRONT BRAKE HOUSING	3001115- K00- B1	P00 P50	3							
12	前轮毂油封总成 OIL SEAL ASSEMBLY, FRONT WHEEL HUB	3103110- K00	P00 P50	1							
13	内轴承 - 转向节 INNER BEARING, STEERING KNUCKLE	XAA32009X	P00 P50	1							
14	前制动盘 FRONT BRAKE DISC	3103102- K00	P00 P50	1							
15	前轮轮毂 FRONT WHEEL HUB	3103101- K00	P00 P50	1							
16	车轮螺母 WHEEL NUT	3103104- K00	P00 P50	6							

序号 S/N	零部件名称 DESCRIPTION	零部件代码 PARTCODE	适用车型 VEHICLE MODEL	用量 QTY.	备注 REMARK
1	螺栓 - 前制动盘罩壳 BOLT, FRONT BRAKE HOUSING	3001115- K00- B1	P01 P01	3	10 × 1.25
2	重型弹簧垫圈 8 WASHER $\Phi$ 8	Q40508		3	
3	左前制动盘罩壳 FRONT BRAKE HOUSING, LH	3001013- P01	P01 P01	1	
4	左转向节 STEERING KNUCKLE, LH	3001011- P01	P01 P01	1	
5	左前制动钳总成 FRONT BRAKE CALIPER ASSEMBLY, LH	3501100- P01	P01 P01	1	
6	弹簧垫圈 14 WASHER $\Phi$ 14	Q40314F9		2	
7	紧固前制动钳螺栓 BOLT, FIXING BRAKE CALIPER	3001101- K00	P01 P01	2	
8	前轮毂油封总成 OIL SEAL ASSEMBLY, FRONT WHEEL HUB	3103120- P01	P01 P01	1	
9	转向节内轴承 INNER BEARING, STEERING KNUCKLE	LM48548/LM48510	P01 P01	1	
10	前制动盘 FRONT BRAKE DISC	3103101- P01	P01 P01	1	
11	前轮轮毂 FRONT WHEEL HUB	3103102- P01	P01 P01	1	
12	转向节外轴承 OUTER BEARING, STEERING KNUCKLE	30205	P01 P01	1	
13	止动垫圈 - 转向节外轴承 THRUST WASHER, OUTER BEARING, STEERING KNUCKLE	3001106- D01	P01 P01	1	
14	轮毂轴承锁紧螺母 LOCKING NUT, WHEEL HUB BEARING	3001107- D01	P01 P01	1	
15	防松罩 LOCK CAP	3001108- D01	P01 P01	1	
16	开口销 4 × 35 COTTER PIN 4 × 35	Q5004035		1	



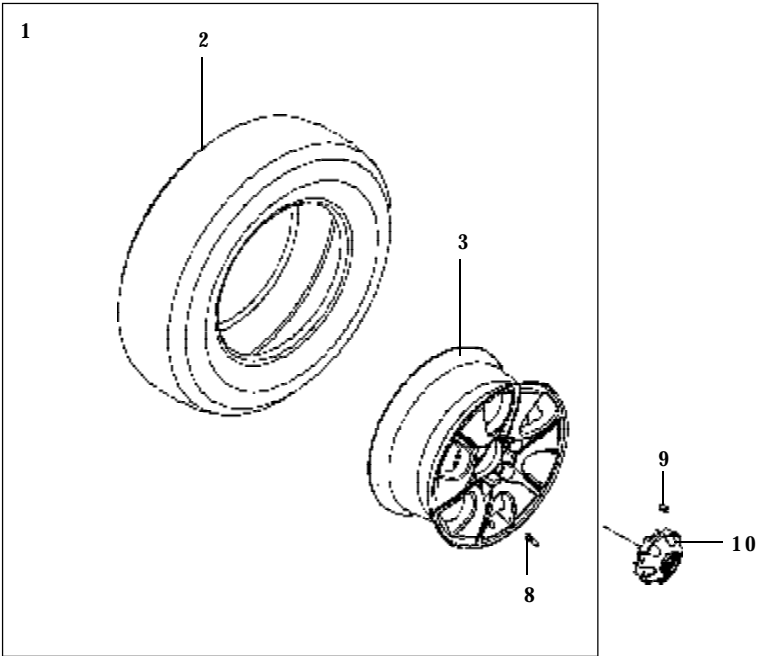
30- 05 左转向节及轮毂制动器装配总成 LEFT STEERING KNUCKLE AND BRAKE ASSEMBLY

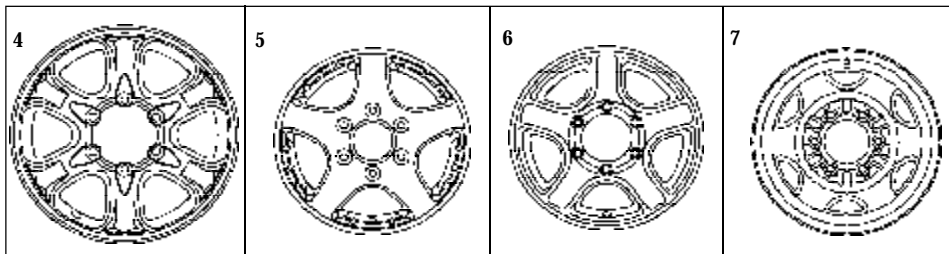
序号 S/N	零部件名称 DESCRIPTION	零部件代码 PARTCODE	适用车型 VEHICLE MODEL	用量 QTY.	备注 REMARK	序号 S/N	零部件名称 DESCRIPTION	零部件代码 PARTCODE	适用车型 VEHICLE MODEL	用量 QTY.	备注 REMARK
17	前轮毂盖 FRONT WHEEL HUB CAP	3001109- D01	P01 P51	1							

30- 06 右转向节及轮毂制动器装配总成 RIGHT STEERING KNUCKLE AND BRAKE ASSEMBLY

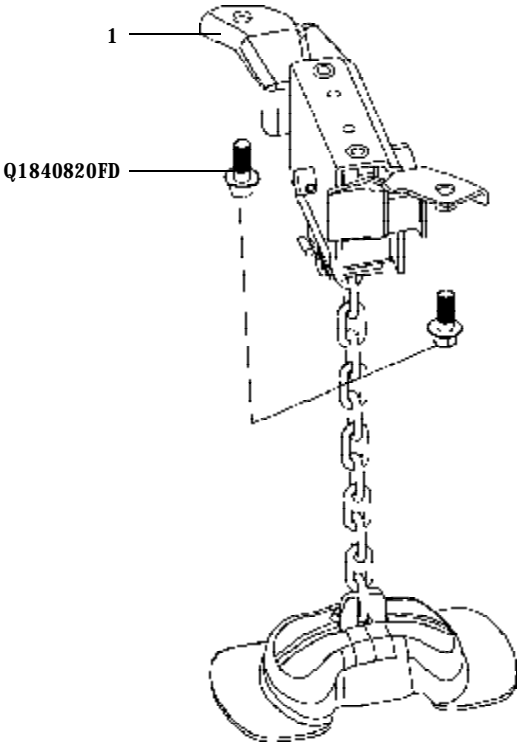
序号 S/N	零部件名称 DESCRIPTION	零部件代码 PARTCODE	适用车型 VEHICLE MODEL	用量 QTY.	备注 REMARK	序号 S/N	零部件名称 DESCRIPTION	零部件代码 PARTCODE	适用车型 VEHICLE MODEL	用量 QTY.	备注 REMARK
1	螺栓 - 前制动盘罩壳 BOLT, FRONT BRAKE HOUSING	3001115- K00- B1	P01 P51	3		17	前轮毂盖 FRONT WHEEL HUB CAP	3001109- D01	P01 P51	1	
2	重型弹簧垫圈 8 WASHER Φ 8	Q40508		3							
3	右前制动盘罩壳 FRONT BRAKE HOUSING, RH	3001014- P01	P01 P51	1							
4	右转向节 STEERING KNUCKLE, RH	3001012- P01	P01 P51	1							
5	右前制动钳总成 FRONT BRAKE CALIPER ASSEMBLY, RH	3501200- P01	P01 P51	1							
6	弹簧垫圈 14 WASHER Φ 14	Q40314F9		2							
7	紧固前制动钳螺栓 BOLT, FIXING BRAKE CALIPER	3001101- K00	P01 P51	2							
8	前轮毂油封总成 OIL SEAL ASSEMBLY, FRONT WHEEL HUB	3103120- P01	P01 P51	1							
9	转向节内轴承 INNER BEARING, STEERING KNUCKLE	LM48548/LM48510	P01 P51	1							
10	前制动盘 FRONT BRAKE DISC	3103101- P01	P01 P51	1							
11	前轮轮毂 FRONT WHEEL HUB	3103102- P01	P01 P51	1							
12	转向节外轴承 OUTER BEARING, STEERING KNUCKLE	30205	P01 P51	1							
13	止动垫圈 - 转向节外轴承 THRUST WASHER, OUTER BEARING, STEERING KNUCKLE	3001106- D01	P01 P51	1							
14	轮毂轴承锁紧螺母 LOCKING NUT, WHEEL HUB BEARING	3001107- D01	P01 P51	1							
15	防松罩 LOCK CAP	3001108 - D01	P01 P51	1							
16	开口销 4 × 35 COTTER PIN 4 × 35	Q5004035		1							

# 31- 01 车轮总成 WHEEL ASSEMBLY

	序号 S/N	零部件名称 DESCRIPTION	零部件代码 PARTCODE	适用车型 VEHICLE MODEL	用量 QTY.	备注 REMARK
	1	车轮及轮胎组件 WHEEL & TIRE KIT	3100100- K01	P00 P02 P50 P52	5	
	2	轮胎 TIRE	3106101- K01	P00 P02 P50 P52	5	P235/70R16
		轮胎 TIRE	3106101- P01	P01 P51	5	P215/75R15/ 215/75R15
	3	车轮 WHEEL	3101101- K01	P00 P02 P50 P52	5	16 寸
	4	车轮 WHEEL	3101101- P00	P00 P02 P50 P52	5	16 寸
	5	车轮 WHEEL	3101101- P01	P01 P51	5	15 寸
	6	车轮 WHEEL	3101101- P01- B1	P01 P51	5	15 寸
	7	车轮 WHEEL	3101200- P01	P01 P51	5	钢 15 寸
	8	气门嘴总成 VALVE NOZZLE ASSEMBLY	3101110- K01	P00 P02 P50 P52	5	
	9	车轮螺母 WHEEL NUT	3101014- K00	P00 P02 P50 P52	24	
	10	车轮罩 TRIM CAP	3102101- K01	P00 P02 P50 P52	4	



### 31- 02 备胎升降机构 SPARE TIRE REGULATOR

	序号 S/N	零部件名称 DESCRIPTION	零部件代码 PARTCODE	适用车型 VEHICLE MODEL	用 量 QTY.	备注 REMARK
	1	备胎升降器总成 SPARE TIRE REGULATOR ASSEMBLY	3105100- P00	P00 P01 P02 P50 P51 P52	1	
		六角法兰面螺栓 BOLT	Q1840820FD		2	

## 34- 01 转向装置 STEERING DEVICE

	序号 S/N	零部件名称 DESCRIPTION	零部件代码 PARTCODE	适用车型 VEHICLE MODEL	用量 QTY.	备注 REMARK
	1	方向盘总成 STEERING WHEEL ASSEMBLY	3402100- P00	P00	1	真皮不带安全气囊 LEATHER, WITHOUT AIR BAG
		方向盘总成 STEERING WHEEL ASSEMBLY	3402100- P00- A1	P00	1	匹配安全气囊 WITH AIR BAG
		方向盘总成 STEERING WHEEL ASSEMBLY	3402100- P00- A2	P00	1	聚氨酯方向盘 POLYURETHANE STEERING WHEEL
	2	盖板固定螺钉 FIXING SCREW, STEERING WHEEL PLATE	3402101- K00	P00	1	
	3	转向轴及万向节安装图 STEERING SHAFT & UNIVERSAL JOINT	3404001- P00	P00	2	
	4	转向管柱及中间传动轴总成 STEERING COLUMN & INTERMEDIATE DRIVE SHAFT ASSEMBLY	3404100- P00	P00	1	
	5	转向管柱总成 STEERING COLUMN ASSEMBLY	34040110- P00	P00	1	
	6	转向盘固定螺母 FIXING NUT, STEERING WHEEL	3404011- K00	P00	1	
	7	中间传动轴总成 INTERMEDIATE DRIVE SHAFT ASSEMBLY	3404120- P00	P00	1	
	8	联轴器总成 COUPLING ASSEMBLY	3404130- P00	P00	1	
	9	橡胶垫 GASKET	3404121- P00	P00	1	
	10	特制偏心螺栓组件 SPECIAL ECCENTRIC BOLT KIT	3404101- P00	P00	1	
	11	下传动轴总成 LOWER DRIVE SHAFT ASSEMBLY	3404200- P00	P00	1	
	12	下传动轴防尘罩 DUST COVER, LOWER DRIVE SHAFT	3404201- P00	P00	1	
13	下传动轴 LOWER DRIVE SHAFT	3404202- P00	P00	1		
14	转向传动副带挠性万向节总成 STEERING DRIVE SET WITH FLEXIBLE UNIVERSAL JOINT ASSEMBLY	3404300- K00	P00	1		



### 34- 01 转向装置 STEERING DEVICE

序号 S/N	零部件名称 DESCRIPTION	零部件代码 PARTCODE	适用车型 VEHICLE MODEL	用量 QTY.	备注 REMARK	序号 S/N	零部件名称 DESCRIPTION	零部件代码 PARTCODE	适用车型 VEHICLE MODEL	用量 QTY.	备注 REMARK
15	垫片 WASHER	3404303- K00	P00	1							
16	转向传动副总成 STEERING DRIVE SET ASSEMBLY	3404310- K00	P00	1							
17	挠性万向节总成 FLEXIBLE UNIVERSAL JOINT ASSEMBLY	3404320- K00	P00	1							
	六角法兰面螺栓 BOLT	Q1840830FD		1							
	六角法兰面螺栓 BOLT	Q1840825FD		2							
	六角法兰面螺栓 BOLT	Q1840830		2							
	六角法兰面螺栓 - 细杆 BOLT - REDUCED SHANK	Q1840835		1							
	六角法兰面螺栓 BOLT	Q1840830FD		3							
	六角头螺栓、弹簧垫圈和平垫圈组合件 BOLT & WASHER KIT	Q1460825FD (Q40208)		2							
	六角法兰面螺栓 BOLT	Q1841090FD		2	M10 × 1.25						
	六角法兰面螺栓 BOLT	Q18410105FD		1	M10 × 1.25						
	六角法兰面螺母 NUT	Q32010FD		1	M10 × 1.25						

### 34- 02 动力转向管路 POWER STEERING LINE

	序号 S/N	零部件名称 DESCRIPTION	零部件代码 PARTCODE	适用车型 VEHICLE MODEL	用量 QTY.	备注 REMARK
	1	空心六角螺栓 HOLLOW HEX BOLT	3406201- P00	P00	1	
	2	密封垫圈 SEALING WASHER	3406202- P00	P00	2	
	3	动力转向油泵胶管总成 HOSE ASSEMBLY, POWER STEERING PUMP	3406100- P00	P00	1	M10 × 1.25
	4	动力转向油泵出油管总成 OIL OUTLET PIPE ASSEMBLY, POWER STEERING PUMP	3406200- P00	P00	1	
	5	动力转向油泵胶管 HOSE, POWER STEERING PUMP	3406101- P00	P00	1	
	6	动力转向油泵回油管管夹总成二 CLIP ASSEMBLY, NO. 2, OIL RETURN PIPE, POWER STEERING PUMP	3406302- P00	P00	1	
	7	动力转向油泵回油管总成 OIL RETURN PIPE ASSEMBLY, POWER STEERING PUMP	3406300- P00	P00	1	
	8	动力转向油泵回油管管夹总成一 CLIP ASSEMBLY, NO. 1, OIL RETURN PIPE, POWER STEERING PUMP	3406301- P00	P00	1	
	9	动力转向油泵出油管 OIL OUTLET PIPE, POWER STEERING PUMP	3406210- P00	P00	1	
	10	动力转向油泵回油管 OIL RETURN PIPE, POWER STEERING PUMP	3406310- P00	P00	2	
		小型钢带弹性环箍 CLIP	Q673B155		2	
		小型钢带弹性环箍 CLIP	Q673B205		2	
		六角法兰面螺栓 BOLT	Q1840616FD		2	

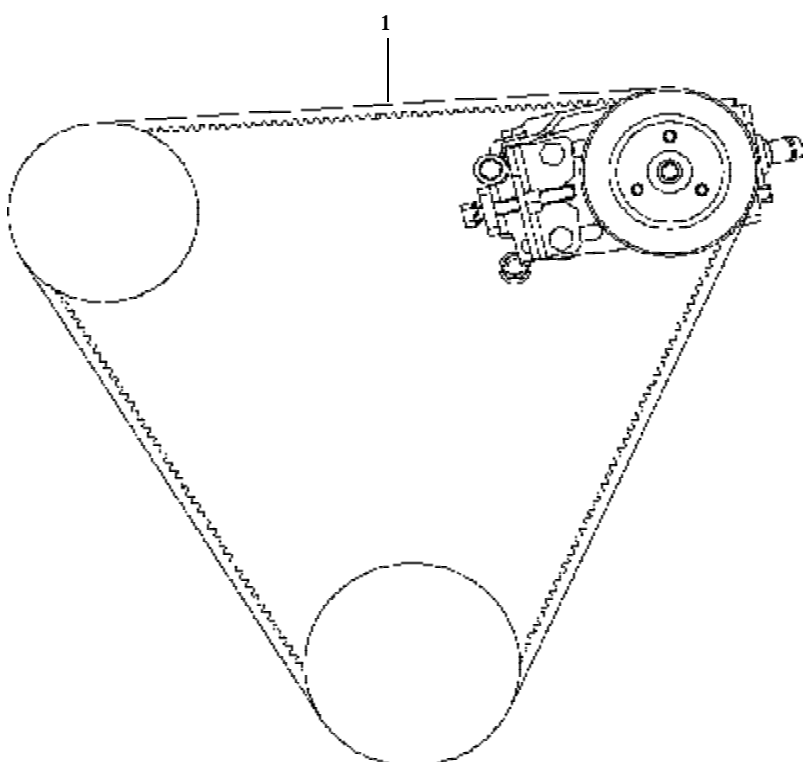
## 34- 03 动力转向油泵 POWER STEERING PUMP

	序号 S/N	零部件名称 DESCRIPTION	零部件代码 PARTCODE	适用车型 VEHICLE MODEL	用 量 QTY	备注 REMARK	
	1	动力转向油泵带支架总成 POWER STEERING PUMP WITH BRACKET ASSEMBLY	3407100- P00	P00 P01 P02 P50 P51 P52	1		
	2	动力转向油泵总成 POWER STEERING PUMP ASSEMBLY	3407110- P00	P00 P01 P02 P50 P51 P52	1		
	3	动力转向油泵支架组件 BRACKET KIT, POWER STEERING PUMP	3407120- P00	P00 P01 P02 P50 P51 P52	1		
	4	动力转向油罐总成 POWER STEERING OIL RESERVIOR	3408100- P00	P00 P01 P02 P50 P51 P52	1		
	5	动力转向油罐支架总成 OIL RESERVIOR BRACKET ASSEMBLY	3408200- P00	P00 P01 P02 P50 P51 P52	1		
			六角法兰面螺栓 BOLT	Q1840616FD		3	
			六角法兰面螺栓 BOLT	Q1841060FD		1	M10 × 1.25
			六角法兰面螺栓 BOLT	Q1840855FD		2	
			六角头螺栓 BOLT	GB5783		1	M10 × 1.25 × 70
			六角头螺栓 BOLT	GB5783		2	M10 × 1.25 × 25
			螺母 NUT	GB6170		1	M10 × 1.25
			弹性垫圈 WASHER	GB93- 10		4	
			平垫圈 WASHER	GB97- 10		1	

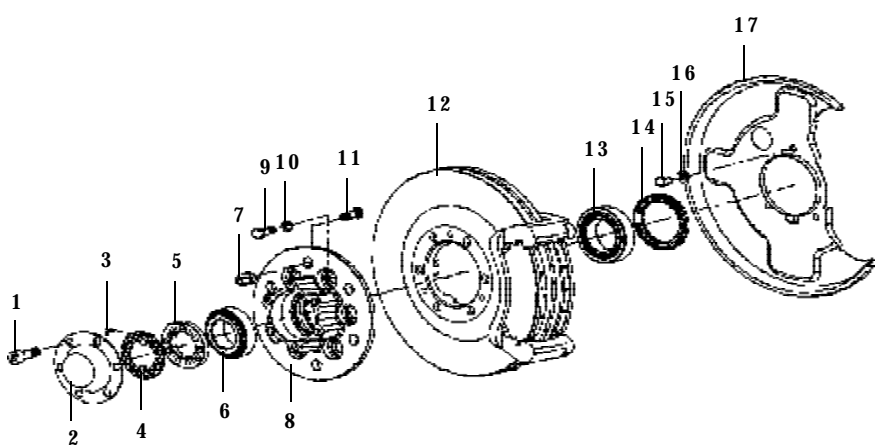
### 34- 04 整体式动力转向器 INTEGRAL POWER STEERING GEAR

	序号 S/N	零部件名称 DESCRIPTION	零部件代码 PARTCODE	适用车型 VEHICLE MODEL	用量 QTY.	备注 REMARK
	1	六角开槽螺母 NUT	3411011- K00	P00	2	
	2	球头 BALL JOINT	3411120- K00	P00	1	
	3	动力转向器带横拉杆总成 POWER STEERING GEAR WITH TIE ROD ASSEMBLY	3411110- K00	P00	1	
	4	右安装橡胶衬套 RIGHT BUSHING	3411014- K00	P00	4	
	5	固定卡子 CLIP	3411012- K00	P00	2	
	6	左安装橡胶衬套 LEFT BUSHING	3411013- K00	P00	1	
		六角法兰面螺母 NUT	Q32012FD		1	
		I 型六角螺母 NUT, TYPE I	Q340B14		2	
		开口销 COTTER PIN	Q5003535		2	

### 34- 05 转向附件 STEERING ACCESSORIES

	序号 S/N	零部件名称 DESCRIPTION	零部件代码 PARTCODE	适用车型 VEHICLE MODEL	用 量 QTY.	备注 REMARK
	1	齿形带 AV13 × 1545 TOOTHED BELT AV13 × 1545	3412011- P00	P00 P01 P02 P50 P51 P52	2	

## 35- 01 左前制动器总成 FRONT LEFT BRAKE ASSEMBLY

	序号 S/N	零部件名称 DESCRIPTION	零部件代码 PARTCODE	适用车型 VEHICLE MODEL	用 量 QTY.	备注 REMARK
	1	内六角圆柱头螺钉 M10X1.25X20 SCREW M10X1.25X20	Q218B1020		6	
	2	前轮毂盖 FRONT WHEEL HUB CAP	3001107- K00	P00 P02 P50 P52	1	
	3	螺钉 - 止动挡圈 SCREW, THRUST RING	3001104- K00	P00 P02 P50 P52	3	
	4	止动挡圈 - 锁紧螺母 THRUST RING, NUT, STEERING KNUCKLE	3001103- K00	P00 P02 P50 P52	1	
	5	锁紧螺母 - 转向节轴承 NUT, STEERING KNUCKLE BEARING	3001102- K00	P00 P02 P50 P52	1	
	6	外轴承 - 转向节 OUTER BEARING, STEERING KNUCKLE	32008X	P00 P02 P50 P52	1	
	7	车轮螺母 WHEEL NUT	3103104- K00	P00 P02 P50 P52	6	
	8	前轮轮毂 FRONT WHEEL HUB	3103101- K00	P00 P02 P50 P52	1	
	9	六角头螺栓 M12X1.25X35 BOLT M12X1.25X35	Q151B1235	P00 P02 P50 P52	6	
	10	重型弹簧垫圈 12 WASHER Φ 12	Q40512		6	
	11	前车轮螺栓 FRONT WHEEL BOLT	3103103- K00	P00 P02 P50 P52	6	
	12	前制动盘 FRONT BRAKE DISC	3103102- K00	P00 P02 P50 P52	2	
	13	内轴承 - 转向节 INNER BEARING, STEERING KNUCKLE	XAA32009X	P00 P02 P50 P52	1	
	14	前轮毂油封总成 OIL SEAL ASSEMBLY, FRONT WHEEL HUB	3103110- K00	P00 P02 P50 P52	1	
	15	螺栓 - 前制动盘罩壳 BOLT, FRONT BRAKE HOUSING	3001115- K00- B1	P00 P02 P50 P52	3	
	16	轻型弹簧垫圈 8 WASHER Φ 8	Q40408		3	

### 35- 01 左前制动器总成 FRONT LEFT BRAKE ASSEMBLY

序号 S/N	零部件名称 DESCRIPTION	零部件代码 PARTCODE	适用车型 VEHICLE MODEL	用 量 QTY.	备注 REMARK	序 号 S/N	零部件名称 DESCRIPTION	零部件代码 PARTCODE	适用车型 VEHICLE MODEL	用 量 QTY.	备注 REMARK
17	左前制动盘罩壳 FRONT BRAKE HOUSING, LH	3001113- K00- B1	P00 P02 P50 P52	1							

### 35- 02 右前制动器总成 FRONT RIGHT BRAKE ASSEMBLY

序号 S/N	零部件名称 DESCRIPTION	零部件代码 PARTCODE	适用车型 VEHICLE MODEL	用量 QTY.	备注 REMARK	序号 S/N	零部件名称 DESCRIPTION	零部件代码 PARTCODE	适用车型 VEHICLE MODEL	用量 QTY.	备注 REMARK
1	内六角圆柱头螺钉M10X1.25X20 SCREW M10X1.25X20	Q218B1020		6		17	右前制动盘罩壳 FRONT BRAKE HOUSING, RH	3001114- K00- B1	P00 P02 P50 P52	1	
2	前轮毂盖 FRONT WHEEL HUB CAP	3001107- K00	P00 P02 P50 P52	1							
3	螺钉 - 止动挡圈 SCREW, THRUST RING	3001104- K00	P00 P02 P50 P52	3							
4	止动挡圈 - 锁紧螺母 THRUST RING, NUT, STEERING KNUCKLE	3001103- K00	P00 P02 P50 P52	1							
5	锁紧螺母 - 转向节轴承 NUT, STEERING KNUCKLE BEARING	3001102- K00	P00 P02 P50 P52	1							
6	外轴承 - 转向节 OUTER BEARING, STEERING KNUCKLE	32008X	P00 P02 P50 P52	1							
7	车轮螺母 WHEEL NUT	3103104- K00	P00 P02 P50 P52	6							
8	前轮轮毂 FRONT WHEEL HUB	3103101- K00	P00 P02 P50 P52	1							
9	六角头螺栓 M12X1.25X35 BOLT M12X1.25X35	Q151B1235	P00 P02 P50 P52	6							
10	重型弹簧垫圈 12 WASHER Φ 12	Q40512		6							
11	前车轮螺栓 FRONT WHEEL BOLT	3103103- K00	P00 P02 P50 P52	6							
12	前制动盘 FRONT BRAKE DISC	3103102- K00	P00 P02 P50 P52	2							
13	内轴承 - 转向节 INNER BEARING, STEERING KNUCKLE	XAA32009X	P00 P02 P50 P52	1							
14	前轮毂油封总成 OIL SEAL ASSEMBLY, FRONT WHEEL HUB	3103110- K00	P00 P02 P50 P52	1							
15	螺栓 - 前制动盘罩壳 BOLT, FRONT BRAKE HOUSING	3001115- K00- B1	P00 P02 P50 P52	3							
16	轻型弹簧垫圈 8 WASHER Φ 8	Q40408		3							



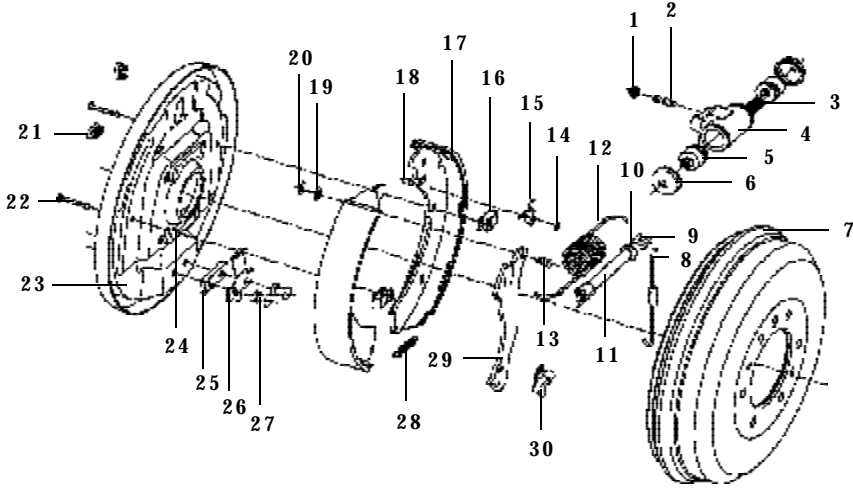
## 35- 03 左前制动钳 FRONT LEFT BRAKE CALIPER

	序号 S/N	零部件名称 DESCRIPTION	零部件代码 PARTCODE	适用车型 VEHICLE MODEL	用 量 QTY.	备注 REMARK
	1	左前制动钳总成 FRONT BRAKE CALIPER ASSEMBLY, LH	3501100- K00	P00 P02 P50 P52	1	
	2	放气螺钉罩 BLEED SCREW COVER	3501114- K00	P00 P02 P50 P52	1	
	3	放气螺钉 BLEED SCREW	3501115- K00	P00 P02 P50 P52	1	
	4	防尘塞 DUST PLUG	3501116- K00	P00 P02 P50 P52	1	
	5	六角法兰面螺栓 BOLT	Q1841028	P00 P02 P50 P52	2	
	6	左钳体 LEFT CALIPER BODY	3501101- K00	P00 P02 P50 P52	1	
	7	活塞 PISTON	3501106- K00	P00 P02 P50 P52	2	
	8	矩形密封圈 RECTANGULAR SEALING RING	3501107- K00	P00 P02 P50 P52	2	
	9	活塞防尘罩 PISTON DUST BOOT	3501108- K00	P00 P02 P50 P52	2	
	10	制动块总成 BRAKE PAD ASSEMBLY	3501120- K00	P00 P02 P50 P52	1	
	11	制动块卡簧片一 SNAP SPRING, NO. 1, BRAKE PAD	3501103- K00	P00 P02 P50 P52	1	
	12	制动块卡簧片二 SNAP SPRING, NO. 2, BRAKE PAD	3501105- K00	P00 P02 P50 P52	1	
	13	定位销导向销防尘罩 DUST COVER, DOWEL PIN/GUIDE PIN	3501111- K00	P00 P02 P50 P52	1	
	14	定位销 DOWEL PIN	3501113- K00	P00 P02 P50 P52	1	
	15	支架 BRACKET	3501104- K00	P00 P02 P50 P52	1	
	16	导向销 GUIDE PIN	3501112- K00	P00 P02 P50 P52	1	

## 35- 04 右前制动钳 FRONT RIGHT BRAKE CALIPER

序号 S/N	零部件名称 DESCRIPTION	零部件代码 PARTCODE	适用车型 VEHICLE MODEL	用量 QTY.	备注 REMARK	序号 S/N	零部件名称 DESCRIPTION	零部件代码 PARTCODE	适用车型 VEHICLE MODEL	用量 QTY.	备注 REMARK
1	右前制动钳总成 FRONT BRAKE CALIPER ASSEMBLY, RH	3501200- K00	P00 P02 P50 P52	1							
2	放气螺钉罩 BLEED SCREW COVER	3501114- K00	P00 P02 P50 P52	1							
3	放气螺钉 BLEED SCREW	3501115- K00	P00 P02 P50 P52	1							
4	防尘塞 DUST PLUG	3501116- K00	P00 P02 P50 P52	1							
5	六角法兰面螺栓 BOLT	Q1841028	P00 P02 P50 P52	2							
6	右钳体 RIGHT CALIPER BODY	3501102- K00	P00 P02 P50 P52	1							
7	活塞 PISTON	3501106- K00	P00 P02 P50 P52	2							
8	矩形密封圈 RECTANGULAR SEALING RING	3501107- K00	P00 P02 P50 P52	2							
9	活塞防尘罩 PISTON DUST BOOT	3501108- K00	P00 P02 P50 P52	2							
10	制动块总成 BRAKE PAD ASSEMBLY	3501120- K00	P00 P02 P50 P52	1							
11	制动块卡簧片一 SNAP SPRING, NO.1, BRAKE PAD	3501103- K00	P00 P02 P50 P52	1							
12	制动块卡簧片二 SNAP SPRING, NO.2, BRAKE PAD	3501105- K00	P00 P02 P50 P52	1							
13	定位销导向销防尘罩 DUST COVER, DOWEL PIN/GUIDE PIN	3501111- K00	P00 P02 P50 P52	1							
14	定位销 DOWEL PIN	3501113- K00	P00 P02 P50 P52	1							
15	支架 BRACKET	3501103- P00	P00 P02 P50 P52	1							
16	导向销 GUIDE PIN	3501112- K00	P00 P02 P50 P52	1							

### 35- 05 左后制动器总成 REAR LEFT BRAKE ASSEMBLY

	序号 S/N	零部件名称 DESCRIPTION	零部件代码 PARTCODE	适用车型 VEHICLE MODEL	用 量 QTY.	备注 REMARK
		左后制动器总成 REAR BRAKE ASSEMBLY, LH	3502100- P00	P00 P02 P50 P52	1	
	1	放气帽 BLEEDING CAP	3502171- P00	P00 P02 P50 P52	1	
	2	放气塞 BLEEDER VALVE	3502172- P00	P00 P02 P50 P52	1	
	3	活塞弹簧 PISTON SPRING	3502173- P00	P00 P02 P50 P52	1	
	4	轮缸 WHEEL CYLINDER	3502174- P00	P00 P02 P50 P52	1	
	5	活塞 PISTON	3502175- P00	P00 P02 P50 P52	2	
	6	轮缸护罩 WHEEL CYLINDER SHIELD	3502176- P00	P00 P02 P50 P52	2	
	7	后制动毂 REAR BRAKE DRUM	3502011- P00	P00 P02 P50 P52	1	
	8	拨片调整拉簧 ADJUSTING SPRING	3502108- P00	P00 P02 P50 P52	1	
	9	调隙轴头 SOCKET	3502155- P00	P00 P02 P50 P52	2	
	10	左调隙轮 ADJUSTING SCREW, LH	3502151- P00	P00 P02 P50 P52	1	
	11	左调隙螺杆 PIVOT NUT, LH	3502153- P00	P00 P02 P50 P52	1	
	12	左回位弹簧 LEFT RETURN SPRING	3502101- P00	P00 P02 P50 P52	1	
	13	拉臂销 TENSION ARM PIN	3502111- P00	P00 P02 P50 P52	1	
	14	弹性挡圈 RETAINER RING	Q43105		1	
15	左自调拨片 LEFT SELF- ADJUSTING PLATE	3502103- P00	P00 P02 P50 P52	1		

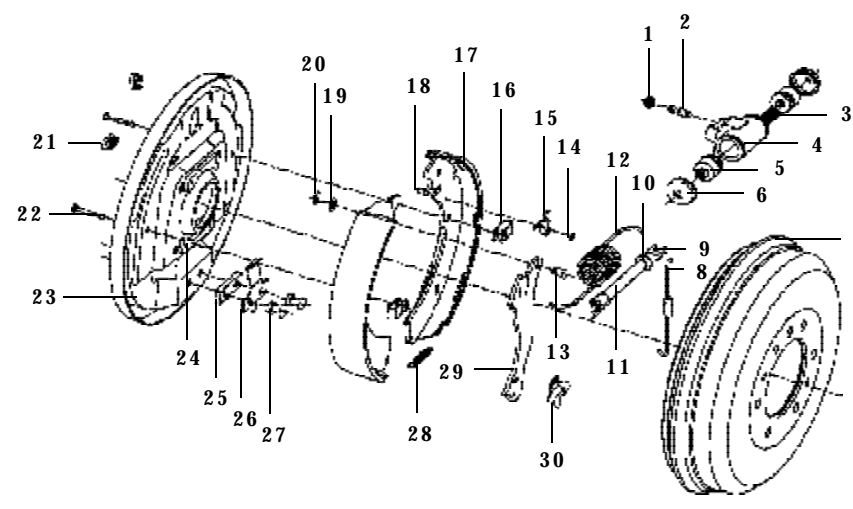
### 35- 05 左后制动器总成 REAR LEFT BRAKE ASSEMBLY

序号 S/N	零部件名称 DESCRIPTION	零部件代码 PARTCODE	适用车型 VEHICLE MODEL	用量 QTY.	备注 REMARK	序号 S/N	零部件名称 DESCRIPTION	零部件代码 PARTCODE	适用车型 VEHICLE MODEL	用量 QTY.	备注 REMARK
16	压簧 COMPRESSION SPRING	3502106- P00	P00 P02 P50 P52	1							
17	制动蹄总成 BRAKE SHOE ASSEMBLY	3502137- P00	P00 P02 P50 P52	2							
18	拨片定位销 DOWEL PIN	3502112- P00	P00 P02 P50 P52	1							
19	弹性垫圈 WASHER	Q47108		1							
20	拉臂夹紧挡圈 RETAINER RING	3502113- P00	P00 P02 P50 P52	1							
21	橡胶堵盖 RUBBER PLUG	3502109- P00	P00 P02 P50 P52	2							
22	压簧拉杆 HOLD- DOWN PIN	3502105- P00	P00 P02 P50 P52	2							
23	左制动底板 BRAKE BOTTOM PLATE ASSEMBLY, LH	3502131- P00	P00 P02 P50 P52	1							
24	定位板 LOCATION PLATE	3502136- P00	P00 P02 P50 P52	2							
25	支撑块 ANCHOR PLATE	3502134- P00	P00 P02 P50 P52	1							
26	支撑块压板 PRESSURE PLATE	3502133- P00	P00 P02 P50 P52	1							
27	平头铆钉 FLAT HEAD RIVET	3502135- P00	P00 P02 P50 P52	2							
28	制动蹄调整拉簧 BRAKE SHOE ADJUSTING SPRING	3502107- P00	P00 P02 P50 P52	1							
29	左制动拉臂 LEFT BRAKE ARM	3502183- P00	P00 P02 P50 P52	1							
30	左拉臂架 LEFT TENSION ARM BRACKET	3502181- P00	P00 P02 P50 P52	1							

## 35- 06 右后制动器总成 REAR RIGHT BRAKE ASSEMBLY

序号 S/N	零部件名称 DESCRIPTION	零部件代码 PARTCODE	适用车型 VEHICLE MODEL	用量 QTY.	备注 REMARK	序号 S/N	零部件名称 DESCRIPTION	零部件代码 PARTCODE	适用车型 VEHICLE MODEL	用量 QTY.	备注 REMARK
	右后制动器总成 REAR BRAKE ASSEMBLY, RH	3502200- P00	P00 P02 P50 P52	1		16	压簧 COMPRESSION SPRING	3502106- P00	P00 P02 P50 P52	1	
1	放气帽 BLEEDING CAP	3502171- P00	P00 P02 P50 P52	1		17	制动蹄总成 BRAKE SHOE ASSEMBLY	3502137- P00	P00 P02 P50 P52	2	
2	放气塞 BLEEDER VALVE	3502172- P00	P00 P02 P50 P52	1		18	拨片定位销 DOWEL PIN	3502112- P00	P00 P02 P50 P52	1	
3	活塞弹簧 PISTON SPRING	3502173- P00	P00 P02 P50 P52	1		19	弹性垫圈 WASHER	Q47108		1	
4	轮缸 WHEEL CYLINDER	3502174- P00	P00 P02 P50 P52	1		20	拉臂夹紧挡圈 RETAINER RING	3502113- P00	P00 P02 P50 P52	1	
5	活塞 PISTON	3502175- P00	P00 P02 P50 P52	2		21	橡胶堵盖 RUBBER PLUG	3502109- P00	P00 P02 P50 P52	2	
6	轮缸护罩 WHEEL CYLINDER SHIELD	3502176- P00	P00 P02 P50 P52	2		22	压簧拉杆 HOLD- DOWN PIN	3502105- P00	P00 P02 P50 P52	2	
7	后制动毂 REAR BRAKE DRUM	3502011- P00	P00 P02 P50 P52	1		23	右制动底板 BRAKE BOTTOM PLATE ASSEMBLY, RH	3502132- P00	P00 P02 P50 P52	1	
8	拨片调整拉簧 ADJUSTING SPRING	3502108- P00	P00 P02 P50 P52	1		24	定位板 LOCATION PLATE	3502136- P00	P00 P02 P50 P52	2	
9	调隙轴头 SOCKET	3502155- P00	P00 P02 P50 P52	2		25	支撑块 ANCHOR PLATE	3502134- P00	P00 P02 P50 P52	1	
10	右调隙轮 ADJUSTING SCREW, RH	3502152- P00	P00 P02 P50 P52	1		26	支撑块压板 PRESSURE PLATE	3502133- P00	P00 P02 P50 P52	1	
11	右调隙螺杆 PIVOT NUT, RH	3502154- P00	P00 P02 P50 P52	1		27	平头铆钉 FLAT HEAD RIVET	3502135- P00	P00 P02 P50 P52	2	
12	右回位弹簧 RIGHT RETURN SPRING	3502102- P00	P00 P02 P50 P52	1		28	制动蹄调整拉簧 BRAKE SHOE ADJUSTING SPRING	3502107- P00	P00 P02 P50 P52	1	
13	拉臂销 TENSION ARM PIN	3502111- P00	P00 P02 P50 P52	1		29	右制动拉臂 RIGHT BRAKE ARM	3502184- P00	P00 P02 P50 P52	1	
14	弹性挡圈 RETAINER RING	Q43105		1		30	右拉臂架 RIGHT TENSION ARM BRACKET	3502182- P00	P00 P02 P50 P52	1	
15	右自调拨片 RIGHT SELF- ADJUSTING PLATE	3502104- P00	P00 P02 P50 P52	1						2	

## 35- 07 左后制动器总成 REAR LEFT BRAKE ASSEMBLY

	序号 S/N	零部件名称 DESCRIPTION	零部件代码 PARTCODE	适用车型 VEHICLE MODEL	用量 QTY.	备注 REMARK
		左后制动器总成 REAR BRAKE ASSEMBLY, LH	3502100- P01	P01 P51	1	
	1	放气帽 BLEEDING CAP	3502171- P01	P01 P51	1	
	2	放气塞 BLEEDER VALVE	3502172- P01	P01 P51	1	
	3	活塞弹簧 PISTON SPRING	3502173- P01	P01 P51	1	
	4	轮缸 WHEEL CYLINDER	3502174- P01	P01 P51	1	
	5	活塞 PISTON	3502175- P01	P01 P51	2	
	6	轮缸护罩 WHEEL CYLINDER SHIELD	3502176- P01	P01 P51	2	
	7	后制动鼓 REAR BRAKE DRUM	3502011- P01	P01 P51	2	
	8	拨片调整拉簧 ADJUSTING SPRING	3502108- P01	P01 P51	1	
	9	调隙轴头 SOCKET	3502155- P01	P01 P51	2	
	10	左调隙轮 ADJUSTING SCREW, LH	3502151- P01	P01 P51	1	
	11	左调隙螺杆 PIVOT NUT, LH	3502153- P01	P01 P51	1	
	12	左回位弹簧 LEFT RETURN SPRING	3502101- P01	P01 P51	1	
	13	拉臂销 TENSION ARM PIN	3502111- P01	P01 P51	1	
	14	弹性挡圈 RETAINER RING	Q43105		1	
15	左自调拨片 LEFT SELF- ADJUSTING PLATE	3502103- P01	P01 P51	1		

### 35- 07 左后制动器总成 REAR LEFT BRAKE ASSEMBLY

序号 S/N	零部件名称 DESCRIPTION	零部件代码 PARTCODE	适用车型 VEHICLE MODEL	用量 QTY.	备注 REMARK	序号 S/N	零部件名称 DESCRIPTION	零部件代码 PARTCODE	适用车型 VEHICLE MODEL	用量 QTY.	备注 REMARK
16	压簧 COMPRESSION SPRING	3502106- P01	P01 P51	1							
17	制动蹄总成 BRAKE SHOE ASSEMBLY	3502137- P01	P01 P51	2							
18	拨片定位销 DOWEL PIN	3502112- P01	P01 P51	1							
19	弹性垫圈 WASHER	Q47108		1							
20	拉臂夹紧挡圈 RETAINER RING	3502113- P01	P01 P51	1							
21	橡胶堵盖 RUBBER PLUG	3502109- P01	P01 P51	2							
22	压簧拉杆 HOLD- DOWN PIN	3502105- P01	P01 P51	2							
23	左制动底板 BRAKE BOTTOM PLATE ASSEMBLY, LH	3502131- P01	P01 P51	1							
24	定位板 LOCATION PLATE	3502136- P01	P01 P51	2							
25	支撑块 ANCHOR PLATE	3502134- P01	P01 P51	1							
26	支撑块压板 PRESSURE PLATE	3502133- P01	P01 P51	1							
27	平头铆钉 FLAT HEAD RIVET	3502135- P01	P01 P51	2							
28	制动蹄调整拉簧 BRAKE SHOE ADJUSTING SPRING	3502107- P01	P01 P51	1							
29	左制动拉臂 LEFT BRAKE ARM	3502183- P01	P01 P51	1							
30	左拉臂架 LEFT TENSION ARM BRACKET	3502181- P01	P01 P51	1							

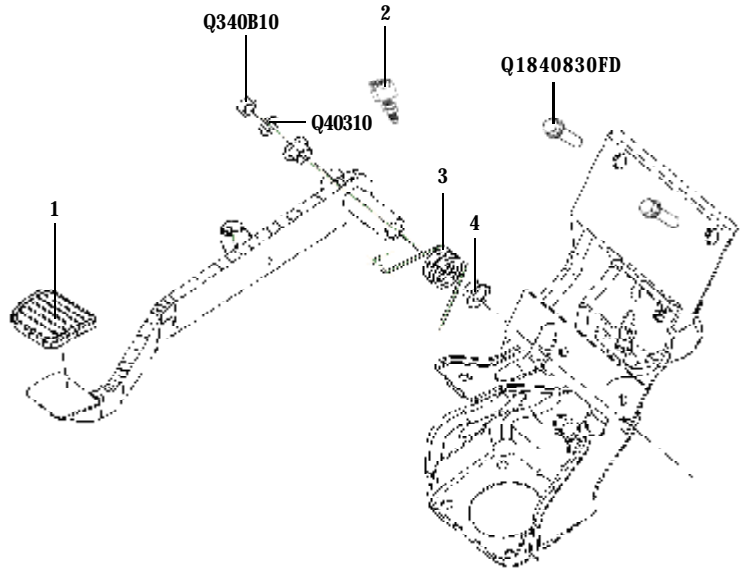
## 35- 08 右后制动器总成 REAR RIGHT BRAKE ASSEMBLY

序号 S/N	零部件名称 DESCRIPTION	零部件代码 PARTCODE	适用车型 VEHICLE MODEL	用量 QTY.	备注 REMARK	序号 S/N	零部件名称 DESCRIPTION	零部件代码 PARTCODE	适用车型 VEHICLE MODEL	用量 QTY.	备注 REMARK
	右后制动器总成 REAR BRAKE ASSEMBLY, RH	3502200- P01	P01 P51	1		16	压簧 COMPRESSION SPRING	3502106- P01	P01 P51	1	
1	放气帽 BLEEDING CAP	3502171- P01	P01 P51	1		17	制动蹄总成 BRAKE SHOE ASSEMBLY	3502137- P01	P01 P51	2	
2	放气塞 BLEEDER VALVE	3502172- P01	P01 P51	1		18	拨片定位销 DOWEL PIN	3502112- P01	P01 P51	1	
3	活塞弹簧 PISTON SPRING	3502173- P01	P01 P51	1		19	弹性垫圈 WASHER	Q47108		1	
4	轮缸 WHEEL CYLINDER	3502174- P01	P01 P51	1		20	拉臂夹紧挡圈 RETAINER RING	3502113- P01	P01 P51	1	
5	活塞 PISTON	3502175- P01	P01 P51	2		21	橡胶堵盖 RUBBER PLUG	3502109- P01	P01 P51	2	
6	轮缸护罩 WHEEL CYLINDER SHIELD	3502176- P01	P01 P51	2		22	压簧拉杆 HOLD- DOWN PING	3502105- P01	P01 P51	2	
7	后制动毂 REAR BRAKE DRUM	3502011- P01	P01 P51	1		23	右制动底板 BRAKE BOTTOM PLATE ASSEMBLY, RH	3502132- P01	P01 P51	1	
8	拨片调整拉簧 ADJUSTING SPRING	3502108- P01	P01 P51	1		24	定位板 LOCATION PLATE	3502136- P01	P01 P51	2	
9	调隙轴头 SOCKET	3502155- P01	P01 P51	2		25	支撑块 ANCHOR PLATE	3502134- P01	P01 P51	1	
10	右调隙轮 ADJUSTING SCREW, RH	3502152- P01	P01 P51	1		26	支撑块压板 PRESSURE PLATE	3502133- P01	P01 P51	1	
11	右调隙螺杆 PIVOT NUT, RH	3502154- P01	P01 P51	1		27	平头铆钉 FLAT HEAD RIVET	3502135- P01	P01 P51	2	
12	右回位弹簧 RIGHT RETURN SPRING	3502102- P01	P01 P51	1		28	制动蹄调整拉簧 BRAKE SHOE ADJUSTING SPRING	3502107- P01	P01 P51	1	
13	拉臂销 TENSION ARM PIN	3502111- P01	P01 P51	1		29	右制动拉臂 RIGHT BRAKE ARM	3502184- P01	P01 P51	1	
14	弹性挡圈 RETAINER RING	Q43105	P01 P51	1		30	右拉臂架 RIGHT TENSION ARM BRACKET	3502182- P01	P01 P51	1	
15	右自调拨片 RIGHT SELF- ADJUSTING PLATE	3502104- P01	P01 P51	1							



### 35- 09 制动踏板及传动装置 BRAKE PEDAL AND DRIVING DEVICE

序号 S/N	零部件名称 DESCRIPTION	零部件代码 PARTCODE	适用车型 VEHICLE MODEL	用量 QTY.	备注 REMARK
	制动踏板总成 BRAKE PEDAL ASSEMBLY	3504100- P00	P00 P01 P02	1	
1	踏板套 BRAKE PEDAL PAD	3504117- P00	P00 P01 P02	1	
2	刹车开关总成 BRAKE LAMP SWITCH ASSEMBLY	4134400- K08	P00 P01 P02 P50 P51 P52	1	
3	回位弹簧 - 制动踏板 RETURN SPRING, BRAKE PEDAL	3504121- P00	P00 P01 P02	1	
4	衬套 - 制动踏板 BUSHING, BRAKE PEDAL	3504122- P00	P00 P01 P02 P50 P51 P52	2	
	六角法兰面螺栓 BOLT	Q1840830FD		2	
	螺母 NUT	Q340B10		1	
	弹簧垫圈 WASHER	Q40310		1	



### 35- 10 制动管路 BRAKING LINE

	序号 S/N	零部件名称 DESCRIPTION	零部件代码 PARTCODE	适用车型 VEHICLE MODEL	用 量 QTY.	备注 REMARK
	1	前制动软管 FRONT BRAKE HOSE	3506107- K00	P00 P02 P50 P52	2	
	2	软管卡子 HOSE CLIP	3506124- K00	P00 P01 P02 P50 P51 P52	5	P01 P51 用量 为 3
	3	挡泥板上制动油管卡子 MUDGUARD UPPER BRAKE OIL PIPE CLIP	3506122- K00	P00 P01 P02 P50 P51 P52	1	P01 P51 用量 为 2
	4	右前制动油管 FRONT BRAKE OIL PIPE, RH	3506014- P00	P00 P02	1	
	5	前围板上制动油管卡子 BRAKE OIL PIPE CLIP, FRONT- WALL PANEL	3506301- P00	P00 P01 P02 P50 P51 P52	4	
	6	前三通至车架三通油管 OIL PIPE, FRONT 3- WAY VALVE TO FRAME 3- WAY VALVE	3506017- P00	P00 P02	1	
	7	总泵至两通制动油管 OIL PIPE, MASTER CYLINDER TO 2- WAY VALVE	3506011- P00	P00 P02	1	
	8	总泵至前三通制动油管 OIL PIPE, MASTER CYLINDER TO FRONT 3- WAY VALVE	3506012- P00	P00 P01 P02	1	
	9	组合阀 COMBINATION VALVE	3506200- P00	P00 P02 P50 P52	1	
	10	左前制动油管 FRONT BRAKE OIL PIPE, LH	3506013- P00	P00 P02 P50 P52	1	
	11	三线油管卡座 THREE- WAY OIL PIPE CLAMP	1104200- K00	P00 P01 P02 P50 P51 P52	5	
	12	前三通 FRONT 3- WAY VALVE	3506100- P00	P00 P01 P02	1	
	13	感载比例阀输入腔油管 INPUT CHAMBER OIL PIPE, LOAD SENSING PROPORTIONING VALVE	3506019- P00	P00 P02 P50 P52	1	
	14	感载比例阀旁通腔油管 BYPASS CHAMBER OIL PIPE, LOAD SENSING PROPORTIONING VALVE	3506018- P00	P00 P02 P50 P52	1	
	15	左后制动油管 REAR BRAKE OIL PIPE, LH	3506022- P00	P00 P02 P50 P52	1	
	16	后制动过桥软管 REAR BRAKE HOSE	3506118- P00	P00 P02 P50 P52	1	

### 35- 10 制动管路 BRAKING LINE

序号 S/N	零部件名称 DESCRIPTION	零部件代码 PARTCODE	适用车型 VEHICLE MODEL	用 量 QTY.	备注 REMARK	序 号 S/N	零部件名称 DESCRIPTION	零部件代码 PARTCODE	适用车型 VEHICLE MODEL	用 量 QTY.	备注 REMARK
17	右后制动油管 REAR BRAKE OIL PIPE, RH	3506023- P00	P00 P02 P50 P52	1							
18	感载比例阀至过桥软管油管 OIL PIPE ,LOAD SENSING PROPORTIONING VALVE TO OIL HOSE PASSING AXLE	3506021- P00	P00 P01 P02 P50 P51 P52	1							
19	塑料卡子 PLASTIC CLIP	1607014- P00	P00 P01 P02 P50 P51 P52	1							
	六角法兰面螺栓 BOLT	Q1840616FD		2							
	六角法兰面螺栓 BOLT	Q1840830FD		1							

### 35- 11 驻车制动操纵装置 PARKING BRAKING CONTROL DEVICE

	序号 S/N	零部件名称 DESCRIPTION	零部件代码 PARTCODE	适用车型 VEHICLE MODEL	用 量 QTY.	备注 REMARK
	1	驻车制动拉把总成 PARKING BRAKE HANDLE ASSEMBLY	3508100- P00	P00 P01 P02 P50 P51 P52	1	
	2	左制动拉线总成 BRAKE CABLE ASSEMBLY, LH	3508300- P00	P00 P02 P50 P52	1	
		左制动拉线总成 BRAKE CABLE ASSEMBLY, LH	3508300- P01	P01 P51	1	
	3	右制动拉线总成 BRAKE CABLE ASSEMBLY, RH	3508400- P00	P00 P02 P50 P52	1	
		右制动拉线总成 BRAKE CABLE ASSEMBLY, RH	3508400- P01	P01 P51	1	
	4	开关总成 SWITCH ASSEMBLY	3508400- P00		1	
		开关 SWITCH	CC04- 01110		1	
		六角法兰面螺栓 BOLT	Q1840616FD		2	
		六角法兰面螺母 NUT	Q32006FD		2	
		六角法兰面螺栓 BOLT	Q1840825FD		3	
		六角法兰面螺母 NUT	Q32008FD		2	
		六角法兰面螺栓 BOLT	Q1840612FD		2	

### 35- 12 感载阀 LOAD- SENSING VALVE

	序号 S/N	零部件名称 DESCRIPTION	零部件代码 PARTCODE	适用车型 VEHICLE MODEL	用 量 QTY.	备注 REMARK
	1	感载比例阀总成 LOAD SENSING PROPORTIONING VALVE ASSEMBLY	3523100- P00	P00 P01 P02 P50 P51 P52	1	
	2	感载比例阀上支架 UPPER BRACKET, LSPV	3523101- P00	P00 P01 P02 P50 P51 P52	1	
	3	感载比例阀下支架 LOWER BRACKET, LSPV	3523102- P00	P00 P02 P50 P52	1	
		感载比例阀下支架 LOWER BRACKET, LSPV	3523102- P01	P01 P51	1	
	4	管组固定支架 PIPE GROUP FASTENING BRACKET	3523103- P00	P00 P01 P02 P50 P51 P52	1	
		六角法兰面螺栓 BOLT	Q1840616FD		1	
		六角法兰面螺栓 BOLT	Q1840820FD		5	
		六角法兰面螺栓 BOLT	Q1840860FD		2	

### 35- 13 真空助力器带制动泵总成 VACUUM BOOSTER & BRAKE MASTER CYLINDER ASSEMBLY 94

	序号 S/N	零部件名称 DESCRIPTION	零部件代码 PARTCODE	适用车型 VEHICLE MODEL	用 量 QTY	备注 REMARK
	1	真空助力器带制动总泵总成 VACUUM BOOSTER & BRAKE MASTER CYLINDER ASSEMBLY	3540100- P00	P00 P01 P02	1	
	2	杯盖 OIL CUP CAP	3540107- P00	P00 P01 P02 P50 P51 P52	1	
	3	杯体 OIL CUP	3540108- P00	P00 P01 P02 P50 P51 P52	1	
	4	主缸总成 BRAKE MASTER CYLINDER	3540110- P00	P00 P01 P02 P50 P51 P52	1	
	5	真空助力器总成 VACUUM BOOSTER ASSEMBLY	3540105- P00	P00 P01 P02	1	
	6	真空助力器调整垫 BRACKET, VACUUM BOOSTER	3540101- P00	P00 P01 P02 P50 P51 P52	1	
	7	真空助力器减振垫 GASKET, VACUUM BOOSTER	3540102- P00	P00 P01 P02 P50 P51 P52	2	
	8	锁销 LOCK PIN	3540104- P00	P00 P01 P02 P50 P51 P52	1	
	9	销轴 PIN	3540103- P00	P00 P01 P02 P50 P51 P52	1	
	10	真空助力胶管三 TUBE, NO. 3, VACUUM BOOSTER PUMP	3540011- P00	P00 P01 P02 P50 P51 P52	1	φ 9 × 18
	11	真空助力胶管一 TUBE, NO. 1, VACUUM BOOSTER PUMP	3540014- P00	P00 P01 P02	1	φ 9 × 18
	12	真空罐 VACUUM RESERVOIR	3540012- P00	P00 P01 P02 P50 P51 P52	1	
	13	真空管 VACUUM TUBE	3540016- P00	P00 P01 P02	1	
	14	真空助力胶管二 TUBE, NO. 2, VACUUM BOOSTER PUMP	3540015- P00	P00 P01 P02	1	φ 9 × 18
	15	制动主缸 BRAKE MASTER CYLINDER ASSEMBLY	5195.000	P00 P01 P02 P50 P51 P52	1	
		钢带型弹性环箍 CLIP	Q673B17		6	

35- 13 真空助力器带制动泵总成 VACUUM BOOSTER & BRAKE MASTER CYLINDER ASSEMBLY 95

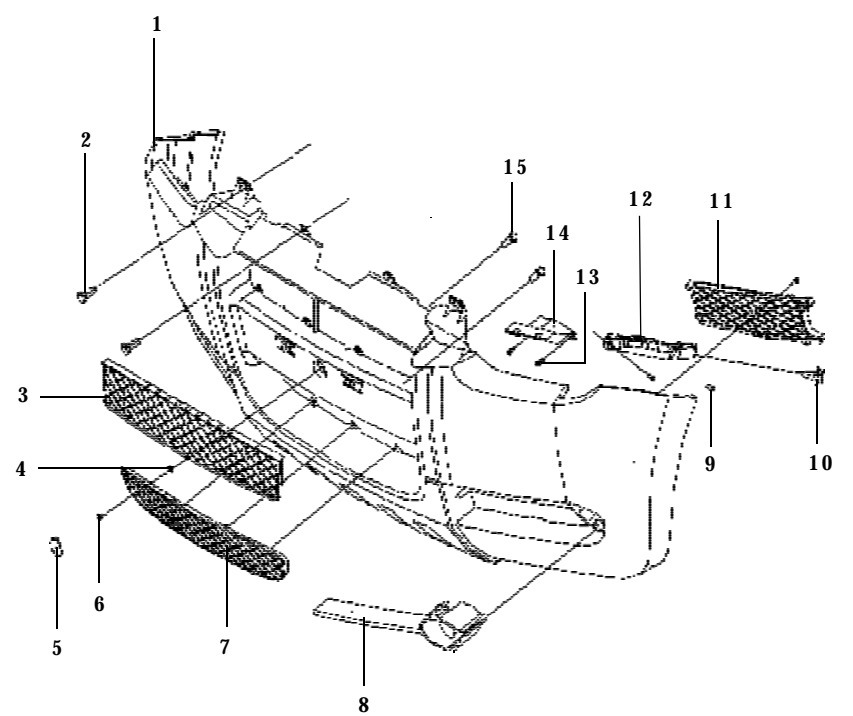
序号 S/N	零部件名称 DESCRIPTION	零部件代码 PARTCODE	适用车型 VEHICLE MODEL	用量 QTY.	备注 REMARK	序号 S/N	零部件名称 DESCRIPTION	零部件代码 PARTCODE	适用车型 VEHICLE MODEL	用量 QTY.	备注 REMARK
	六角法兰面螺母 NUT	Q32008FD		4							
	螺母 NUT	Q32008		2							
	六角法兰面螺栓 BOLT	Q1840612FD		3							

### 39- 01 随车工具 INCAR TOOL KIT

	序号 S/N	零部件名称 DESCRIPTION	零部件代码 PARTCODE	适用车型 VEHICLE MODEL	用 量 QTY.	备注 REMARK
	1	干粉灭火器 DRY- POWDER FIRE EXTINGUISHER	3900023- K00	P00 P01 P02 P50 P51 P52	1	1kg 出口车
	2	鱼嘴钳 PLIERS	3900017- K00	P00 P01 P02 P50 P51 P52	1	165
	3	活扳手 ADJUSTABLE SPANNER	3900016- K00	P00 P01 P02 P50 P51 P52	1	30 × 250
	4	起重器 JACK	3900011- P00	P00 P01 P02 P50 P51 P52	1	
	5	一字改锥 FLAT- TIP SCREWDRIVER	3900018- K00	P00 P01 P02 P50 P51 P52	1	100 × 6
	6	十字改锥 CROSS- HEAD SCREWDRIVER	3900019- K00	P00 P01 P02 P50 P51 P52	1	100 × 6
	7	备胎升降器摇杆前段 FRONT SECTION, SPARE TYRE REGULATOR ROCKER	3900011- K00- B1	P00 P01 P02 P50 P51 P52	1	
	8	备胎升降器摇杆中段 MIDDLE SECTION, SPARE TYRE REGULATOR ROCKER	3900012- K00- B1	P00 P01 P02 P50 P51 P52	1	
	9	开口扳手 OPEN END SPANNER	3900015- K00	P00 P01 P02 P50 P51 P52	1	12 × 14
	10	开口扳手 OPEN END SPANNER	3900014- K00	P00 P01 P02 P50 P51 P52	1	8 × 10
	11	车轮螺母扳手 WHEEL NUT SPANNER	3900013- K00	P00 P01 P02 P50 P51 P52	1	19 (备胎摇把)
	12	随车工具包 INCAR TOOL KIT	3900021- K00	P00 P01 P02 P50 P51 P52	1	
	13	三角警告牌 TRIANGULAR WARNING PLATE	3900024- K00- B1	P00 P01 P02 P50 P51 P52	1	



## 28- 01 前保险杠 FRONT BUMPER

	序号 S/N	零部件名称 DESCRIPTION	零部件代码 PARTCODE	适用车型 VEHICLE MODEL	用 量 QTY.	备注 REMARK
	1	前保险杠本体 FRONT BUMPER	2803211- P00	P00 P02 P50 P52	1	
		前保险杠本体 FRONT BUMPER	2803211- P01	P01 P51	1	侧面无轮弧装饰条安装孔 WITHOUT WHEEL OPENING MOULDING MOUNTING HOLE
	2	六角法兰面螺栓 BOLT	Q1840816F31		8	
		六角法兰面螺栓 BOLT	Q1840816P31		8	
	3	前保险杠上部护网一 GRILL, NO. 1, FRONT BUMPER, UPPER	2803213- P00	P00 P01 P02 P50 P51 P52	1	
	4	前保险杠中间安装点垫片 FRONT BUMPER MIDDLE MOUNTING POINT SHIM	2803219- P00	P00 P01 P02 P50 P51 P52	1	
	5	前保险杠安装点盖板 FRONT BUMPER MOUNTING POINT COVER PLATE	2803212- P00	P00 P01 P02 P50 P51 P52	1	
	6	十字槽凹穴六角头螺栓 BOLT	Q1740620		1	
		十字槽凹穴六角头螺栓 BOLT	Q174B0620		1	
	7	前保险杠上部护网二 GRILL, NO. 2, FRONT BUMPER, UPPER	2803214- P00	P00 P01 P02 P50 P51 P52	1	
	8	左前雾灯装饰罩 TRIM COVER, FRONT FOG LAMP, LH	2803217- P00	P00 P01 P02 P50 P51 P52	4	左右对称 EUDIPLURAL
		右前雾灯装饰罩 TRIM COVER, FRONT FOG LAMP, RH	2803218- P00	P00 P01 P02 P50 P51 P52	4	
	9	十字槽凹穴六角头自攻螺钉 SCREW	Q2756319F31	P00 P01 P02 P50 P51 P52	2	
	10	前保险杠涨扣 FRONT BUMPER CLIP	2803015- P00	P00 P01 P02 P50 P51 P52	1	
	11	前保险杠下部左侧护网 FRONT BUMPER LOWER GRILL, LH	2803215- P00	P00 P01 P02 P50 P51 P52	1	左右对称 EUDIPLURAL
	前保险杠下部右侧护网 FRONT BUMPER LOWER GRILL, RH	2803216- P00	P00 P01 P02 P50 P51 P52	1		

## 28- 01 前保险杠 FRONT BUMPER

序号 S/N	零部件名称 DESCRIPTION	零部件代码 PARTCODE	适用车型 VEHICLE MODEL	用 量 QTY.	备注 REMARK	序号	零部件名称 DESCRIPTION	零部件代码 PARTCODE	适用车型 VEHICLE MODEL	用 量 QTY.	备注 REMARK
12	前保险杠左侧塑料卡子 PLASTIC CLIP, FRONT BUMPER, LH	2803011- P00	P00 P01 P02 P50 P51 P52	4	左右对称 EUDIPLEURAL						
	前保险杠右侧塑料卡子 PLASTIC CLIP, FRONT BUMPER, RH	2803012- P00	P00 P01 P02 P50 P51 P52	4							
13	六角法兰面螺栓 BOLT	Q1840616F31	P00 P01 P02 P50 P51 P52	1							
14	前保险杠左侧塑料支架 PLASTIC BRACKET, FRONT BUMPER, LH	2803013- P00		24							
15	十字槽盘头自攻螺钉和平垫圈组合 SCREW & WASHER KIT	Q2203513F31									

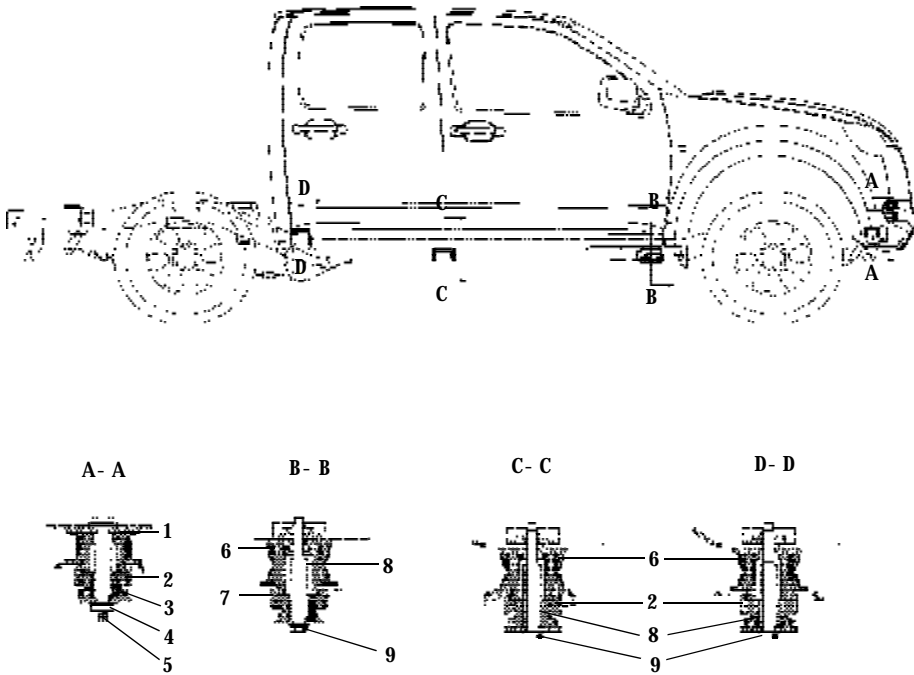
## 28- 02 后保险杠 REAR BUMPER

	序号 S/N	零部件名称 DESCRIPTION	零部件代码 PARTCODE	适用车型 VEHICLE MODEL	用量 QTY.	备注 REMARK
	1	后保险杠总成左侧安装支架 MOUNTING BRACKET, REAR BUMPER ASSEMBLY, LH	2804121- P00	P00 P01 P02 P50 P51 P52	1	左右对称 EUDIPLURAL
		后保险杠总成右侧安装支架 MOUNTING BRACKET, REAR BUMPER ASSEMBLY, RH	2804122- P00	P00 P01 P02 P50 P51 P52	1	
	2	后保险杠左侧安装支架二 MOUNTING BRACKET, NO. 2, REAR BUMPER, LH	2804115- P00	P00 P01 P02 P50 P51 P52	1	左右对称 EUDIPLURAL
	3	后保险杠支撑板 SUPPORT PLATE, REAR BUMPER	2804111- P00	P00 P01 P02 P50 P51 P52	1	
	4	后保险杠右侧安装支架二 MOUNTING BRACKET, NO. 2, REAR BUMPER, RH	2804116- P00	P00 P01 P02 P50 P51 P52	1	左右对称 EUDIPLURAL
	5	六角法兰面螺栓 BOLT	Q1860816F31		4	
	6	后保险杠总成左侧安装支架 MOUNTING BRACKET, REAR BUMPER ASSEMBLY, LH	2804121- P00	P00 P01 P02 P50 P51 P52	1	左右对称 EUDIPLURAL
		后保险杠总成右侧安装支架 MOUNTING BRACKET, REAR BUMPER ASSEMBLY, RH	2804122- P00	P00 P01 P02 P50 P51 P52	1	
	7	六角法兰面螺栓 BOLT	Q186122F31(M12 × 1.25)	P00 P01 P02 P50 P51 P52	6	
	8	六角头螺栓、弹簧垫圈和平垫圈组合件 BOLT & WASHER KIT	5172105- K00DH	P00 P01 P02 P50 P51 P52	8	
	9	后保险杠左侧安装支架一 MOUNTING BRACKET, NO. 1, REAR BUMPER, LH	2804113- P00		1	左右对称 EUDIPLURAL
		后保险杠右侧安装支架一 MOUNTING BRACKET, NO. 1, REAR BUMPER, RH	2804114- P00		1	
10	十字槽沉头螺钉 SCREW	Q2540616F31	P00 P01 P02 P50 P51 P52	10		
11	后保险杠本体 REAR BUMPER	2804101- P00	P00 P01 P02 P50 P51 P52	1		
12	后保险杠左侧防滑板 ANTISKID PLATE, REAR BUMPER, LH	2804103- P00	P00 P01 P02 P50 P51 P52	1	左右对称 EUDIPLURAL	
	后保险杠右侧防滑板 ANTISKID PLATE, REAR BUMPER, RH	2804104- P00	P00 P01 P02 P50 P51 P52	1		

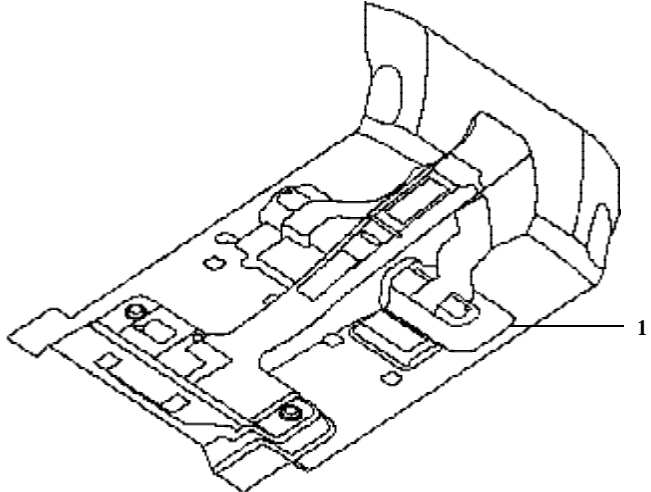
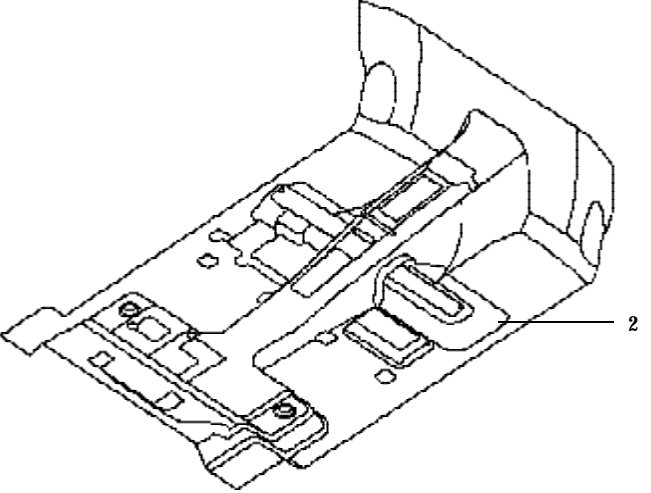
## 28- 02 后保险杠 REAR BUMPER

序号 S/N	零部件名称 DESCRIPTION	零部件代码 PARTCODE	适用车型 VEHICLE MODEL	用量 QTY.	备注 REMARK	序号	零部件名称 DESCRIPTION	零部件代码 PARTCODE	适用车型 VEHICLE MODEL	用量 QTY.	备注 REMARK
13	后保险杠中间防滑板 ANTISKID PLATE, REAR BUMPER, MIDDLE	2804105- P00	P00 P01 P02 P50 P51 P52	1							
14	后保险杠左侧防滑板 ANTISKID PLATE, REAR BUMPER, LH	2804103- P00	P00 P01 P02 P50 P51 P52	1	左右对称 EUDIPLEURAL						
	后保险杠右侧防滑板 ANTISKID PLATE, REAR BUMPER, RH	2804104- P00	P00 P01 P02 P50 P51 P52	1							
15	后保险杠左侧安装支架一 MOUNTING BRACKET, NO. 1, REAR BUMPER, LH	2804113- P00	P00 P01 P02 P50 P51 P52	1	左右对称 EUDIPLEURAL						
	后保险杠右侧安装支架一 MOUNTING BRACKET, NO. 1, REAR BUMPER, RH	2804114- P00	P00 P01 P02 P50 P51 P52	1							
16	后保险杠中间安装支架 MOUNTING BRACKET, REAR BUMPER, MIDDLE	2804117- P00	P00 P01 P02 P50 P51 P52	2							

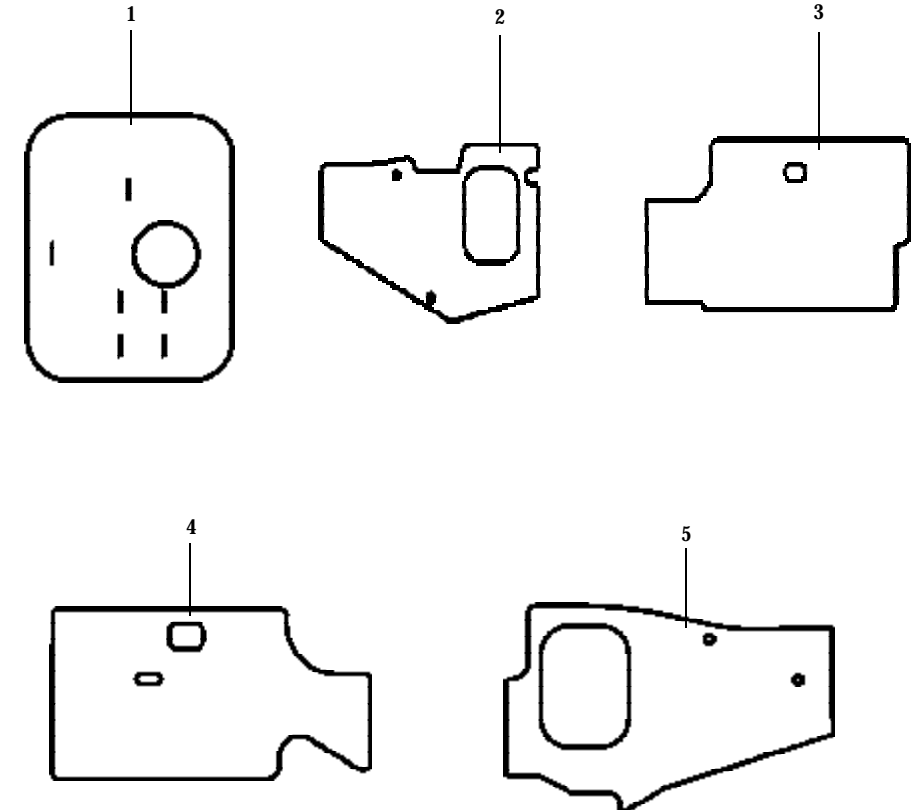
# 50- 01 车身悬置胶垫 BODY MOUNTING INSULATOR

	序号 S/N	零部件名称 DESCRIPTION	零部件代码 PARTCODE	适用车型 VEHICLE MODEL	用量 QTY.	备注 REMARK
	1	车身第一悬置上软垫总成 UPPER CUSHION ASSEMBLY, BODY MOUNTING, NO. 1	5001110- P00	P00 P01 P02 P50 P51 P52	2	
	2	车身第一悬置下软垫总成 LOWER CUSHION ASSEMBLY, BODY MOUNTING, NO. 1	5001120- P00	P00 P01 P02 P50 P51 P52	6	
	3	车身第一悬置衬套 BUSH, BODY MOUNTING, NO. 1	5001102- P00	P00 P01 P02 P50 P51 P52	2	
	4	六角法兰面螺母 NUT	Q32010FD		2	
	5	车身第一悬置螺栓 BOLT, BODY MOUNTING, NO. 1	5001101- P00	P00 P01 P02 P50 P51 P52	2	
	6	车身第二悬置上软垫总成 UPPER CUSHION ASSEMBLY, BODY MOUNTING, NO. 2	5001210- P00	P00 P01 P02 P50 P51 P52	6	
	7	车身第二悬置下软垫总成 LOWER CUSHION ASSEMBLY, BODY MOUNTING, NO. 2	5001220- P00	P00 P01 P02 P50 P51 P52	2	
	8	车身第二悬置衬套 BUSH, BODY MOUNTING, NO. 2	5001202- P00	P00 P01 P02 P50 P51 P52	6	
	9	车身第二悬置螺栓 BOLT, BODY MOUNTING, NO. 2	5001201- P00	P00 P01 P02 P50 P51 P52	6	

## 51- 01 地毯 CARPET

序 号 S/N	零部件名称 DESCRIPTION	零部件代码 PARTCODE	适用车型 VEHICLE MODEL	用 量 QTY.	备注 REMARK
	1 地毯总成 CARPET ASSEMBLY	5109100- P00	P00 P01 P02	1	左舵 LEFT HAND DRIVE
	地毯总成 CARPET ASSEMBLY	5109100- P50	P50 P51 P52	1	右舵 RIGHT HAND DRIVE
	2 地毯总成 CARPET ASSEMBLY	5109100- P00- B1	P00 P01 P02	1	无风道 WITHOUT AIR TUNNEL
	地毯总成 CARPET ASSEMBLY	5109100- P50- B1	P50 P51 P52	1	无风道 WITHOUT AIR TUNNEL

# 51- 02 地板隔热层 FLOOR HEAT INSULATOR

	序号 S/N	零部件名称 DESCRIPTION	零部件代码 PARTCODE	适用车型 VEHICLE MODEL	用 量 QTY.	备 注 REMARK
	1	前地板左阻尼胶板 DAMPING PANEL, FRONT FLOOR, LH	5110011- P00	P00 P01 P02 P50 P51 P52	1	
		前地板右阻尼胶板 DAMPING PANEL, FRONT FLOOR, RH	5110012- P00	P00 P01 P02 P50 P51 P52	1	
	2	前围阻尼胶板 II DAMPING PANEL, NO. 2, FRONT WALL	5310012- P50	P50 P51 P52	1	右舵 RIGHT HAND DRIVE
	3	前围阻尼胶板 I DAMPING PANEL, NO. 1, FRONT WALL	5310011- P50	P50 P51 P52	1	右舵 RIGHT HAND DRIVE
	4	前围阻尼胶板 I DAMPING PANEL, NO. 1, FRONT WALL	5310011- P00	P00 P01 P02	1	
	5	前围阻尼胶板 II DAMPING PANEL, NO. 2, FRONT WALL	5310012- P00	P00 P01 P02		

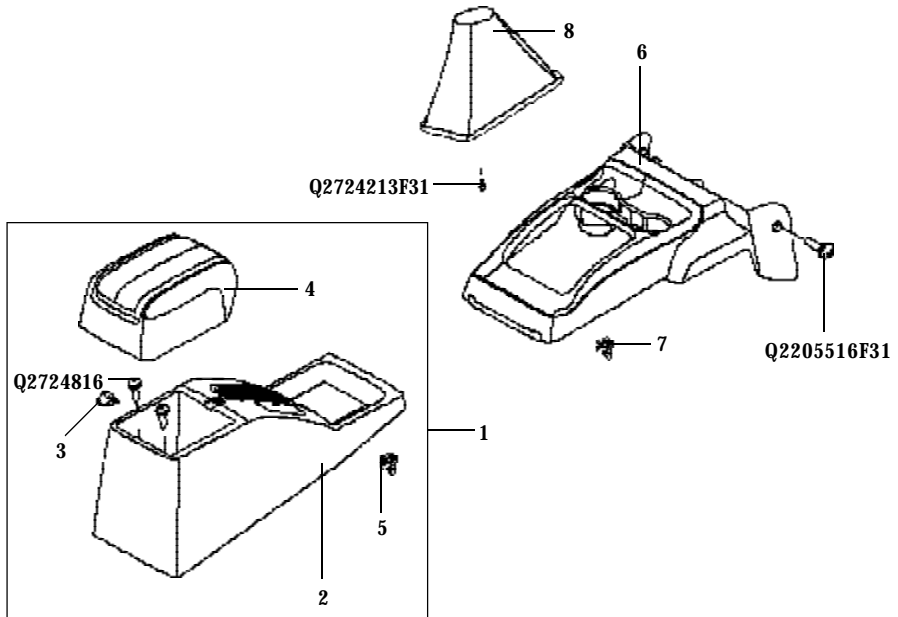
## 52- 01 风窗玻璃及密封条 WINDSCREEN GLASS AND SEALING STRIPS

	序号 S/N	零部件名称 DESCRIPTION	零部件代码 PARTCODE	适用车型 VEHICLE MODEL	用量 QTY.	备注 REMARK
	1	前风窗玻璃总成 FRONT WINDSHIELD ASSEMBLY	5206100- P00	P00 P01 P02 P50	1	
	2	前风窗玻璃上装饰条 UPPER GARNISH STRIP, FRONT WINDSHIELD	5206012- P00	P00 P01 P02 P50	1	
	3	内后视镜总成 INTERIOR REAR VIEW MIRROR ASSEMBLY	8201100- K00	P00 P01 P02 P50	1	
	4	前风窗玻璃左装饰条 GARNISH STRIP, FRONT WINDSHIELD, LH	5206013- P00	P00 P01 P02 P50	1	
	5	前风窗玻璃托架 FRONT WINDSHIELD BRACKET	5206104- K00	P00 P01 P02 P50	2	
	6	前风窗玻璃右装饰条 GARNISH STRIP, FRONT WINDSHIELD, RH	5206014- P00	P00 P01 P02 P50	1	
		十字槽盘头自攻螺钉 SCREW	Q2715516		2	
	十字槽盘头自攻螺钉 SCREW	Q2714895		1		

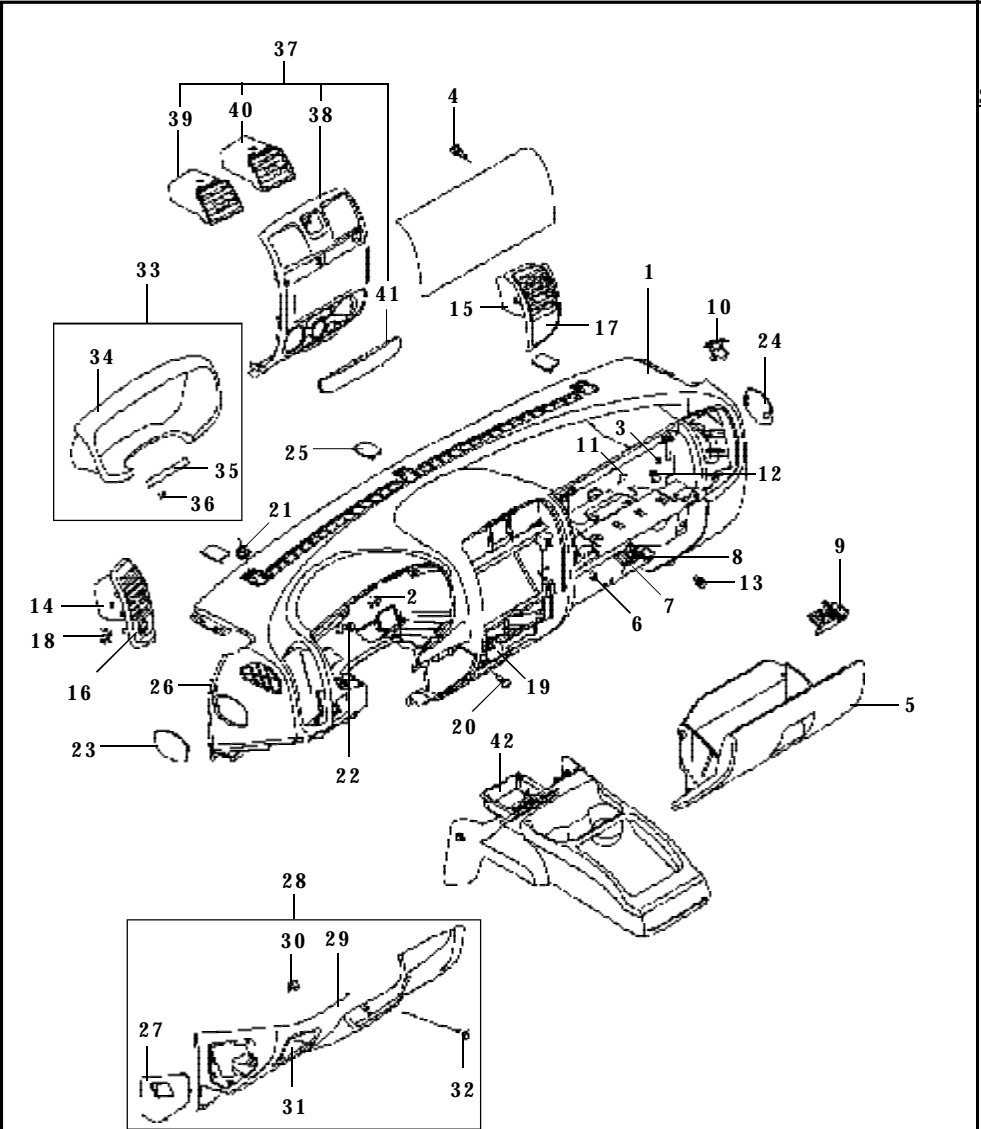


# 53- 01 副仪表板 CONSOLE

序号 S/N	零部件名称 DESCRIPTION	零部件代码 PARTCODE	适用车型 VEHICLE MODEL	用量 QTY.	备注 REMARK
1	变速器装饰罩后节总成 REAR PART ASSEMBLY, FLOOR CONSOLE	5305100- P00	P00 P01 P02 P50 P51 P52	1	
2	变速器装饰罩后节 REAR PART, FLOOR CONSOLE	5305101- P00	P00 P01 P02 P50 P51 P52	1	
3	变速器装饰罩后节上盒铰链 UPPER BOX HINGE, FLOOR CONSOLE	5305102- P00	P00 P01 P02 P50 P51 P52	1	
4	变速器装饰罩后节上盒总成 UPPER BOX ASSEMBLY, FLOOR CONSOLE	5305120- P00	P00 P01 P02 P50 P51 P52	1	
5	侧面车门内饰板卡扣二 CLIP, NO. 2, DOOR TRIM PANEL	5305011- P00	P00 P01 P02 P50 P51 P52	2	
6	变速器装饰罩前节总成 FRONT PART ASSEMBLY, FLOOR CONSOLE	5305200- P00	P00 P01 P02 P50 P51 P52	1	
7	变速器装饰罩前节卡扣 CLIP, FRONT PART, FLOOR CONSOLE	5305012- P00	P00 P01 P02 P50 P51 P52	2	
8	变速杆装饰罩总成 SHIFT LEVER DUST COVER ASSEMBLY	5305300- P00	P00 P01 P02 P50 P51 P52	1	
	十字槽盘头自攻螺钉 SCREW	Q2724213F31		5	
	十字槽盘头自攻螺钉 SCREW	Q2724816		6	
	十字槽盘头自攻螺钉和平垫圈组合件 SCREW & WASHER KIT	Q2205516F31		2	



## 53- 02 仪表板 INSTRUMENT PANEL

序号 S/N	零部件名称 DESCRIPTION	零部件代码 PARTCODE	适用车型 VEHICLE MODEL	用量 QTY.	备注 REMARK
					
	仪表板本体总成 INSTRUMENT PANEL BODY ASSEMBLY	5306100- P00	P00 P01 P02	1	
	仪表板本体总成 INSTRUMENT PANEL BODY ASSEMBLY	5306100- P00- B1	P00 P01 P02	1	加副驾驶安全气囊 WITH ASSISTANT DRIVER'S - SIDE AIR BAG
	仪表板本体总成 INSTRUMENT PANEL BODY ASSEMBLY	5306100- P50	P50 P51	1	
	仪表板本体总成 INSTRUMENT PANEL BODY ASSEMBLY	5306100- P50- B1	P50 P51	1	加副驾驶安全气囊 WITH ASSISTANT DRIVER'S - SIDE AIR BAG
1	仪表板本体 INSTRUMENT PANEL	5306101- P00	P00 P01 P02	1	
	仪表板本体 INSTRUMENT PANEL	5306101- P50	P50 P51	1	
2	1 # 铁卡 CLIP, NO. 1	5306102- P00	P00 P01 P02 P50	6	
3	2 # 铁卡 CLIP, NO. 2	5306103- P00	P00 P01 P02 P50	7	
4	十字槽盘头自攻螺钉 SCREW	Q2724816		15	
5	杂物箱总成 GLOVE BOX ASSEMBLY	5303100- P00	P00 P01 P02 P50	1	
6	杂物箱限位胶座 GLOVE BOX SEAT	5306106- P00	P00 P01 P02 P50	3	
7	杂物箱照明灯盖板 COVER PLATE, GLOVE- BOX LAMP	5306107- P00	P00 P01 P02 P50	1	
8	杂物箱锁扣 GLOVE BOX LOCK	5306108- P00	P00 P01 P02 P50	1	
9	杂物箱锁芯总成 LOCK CYLINDER ASSEMBLY, GLOVE BOX	5303110- P00	P00 P01 P02	1	
10	仪表板右侧支撑板 INSTRUMENT PANEL SUPPORTING PLATE, RH	5306109- P00	P00 P01 P02	1	
	仪表板左侧支撑板 INSTRUMENT PANEL SUPPORTING PLATE, LH	5306109- P50	P50 P51	1	

## 53- 02 仪表板 INSTRUMENT PANEL

107

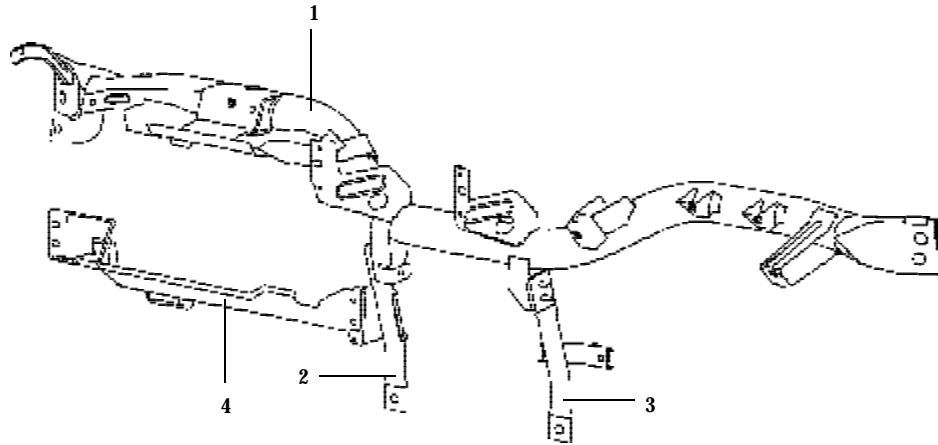
序号 S/N	零部件名称 DESCRIPTION	零部件代码 PARTCODE	适用车型 VEHICLE MODEL	用量 QTY.	备注 REMARK	序号	零部件名称 DESCRIPTION	零部件代码 PARTCODE	适用车型 VEHICLE MODEL	用量 QTY.	备注 REMARK
11	仪表板右上加强板 UPPER REINFORCEMENT PANEL, INSTRUMENT PANEL, RH	5306111- P00	P00 P01 P02	1		22	六角头螺栓、弹簧垫圈和大垫圈组合件 BOLT & WASHER KIT	Q1460620F3 (Q40206)		4	
	仪表板左上加强板 UPPER REINFORCEMENT PANEL, INSTRUMENT PANEL, LH	5306111- P50	P50 P51	1		23	仪表板左侧盖板 LEFT COVER PLATE, INSTRUMENT PANEL	5306011- P00	P00 P01 P02 P50	1	
12	仪表板右下加强板 LOWER REINFORCEMENT PANEL, INSTRUMENT PANEL, RH	5306112- P00	P00 P01 P02	1		24	仪表板右侧盖板 RIGHT COVER PLATE, INSTRUMENT PANEL	5306012- P00	P00 P01 P02 P50	1	
13	六角头螺栓、弹簧垫圈和平垫圈组合件 BOLT & WASHER KIT	Q1460620		3		25	仪表板上盖板 UPPER COVER PLATE, INSTRUMENT PANEL	5306013- P00	P00 P01 P02 P50	3	
14	仪表板左通风口总成 LEFT AIR VENT ASSEMBLY, INSTRUMENT PANEL	5306130- P00	P00 P01 P02	1		26	仪表板卡扣 CLIP, INSTRUMENT PANEL	5306014- P00	P00 P01 P02 P50	1	
	仪表板左通风口总成 LEFT AIR VENT ASSEMBLY, INSTRUMENT PANEL	5306130- P50	P50 P51	1		27	保险盒盖板 FUSE BLOCK COVER	5306015- P00	P00 P01 P02	1	
15	仪表板右通风口总成 RIGHT AIR VENT ASSEMBLY, INSTRUMENT PANEL	5306140- P00	P00 P01 P02	1			保险盒盖板 FUSE BLOCK COVER	5306015- P50	P50 P51	1	
	仪表板右通风口总成 RIGHT AIR VENT ASSEMBLY, INSTRUMENT PANEL	5306140- P50	P50 P51	1		28	仪表板左下面罩总成 LOWER FINISH PANEL ASSEMBLY, INSTRUMENT PANEL, LH	5306200- P00	P00 P01 P02	1	
16	仪表板左通风口盖板总成 COVER PLATE, LEFT AIR VENT , INSTRUMENT PANEL	5306150- P00	P00 P01 P02	1			仪表板右下面罩总成 LOWER FINISH PANEL ASSEMBLY, INSTRUMENT PANEL, RH	5306200- P50	P50 P51	1	
	仪表板左通风口盖板总成 COVER PLATE, LEFT AIR VENT , INSTRUMENT PANEL	5306150- P50	P50 P51	1		29	仪表板左下面罩 LOWER FINISH PANEL, INSTRUMENT PANEL, LH	5306201- P00	P00 P01 P02	1	
17	仪表板右通风口盖板总成 COVER PLATE, RIGHT AIR VENT , INSTRUMENT PANEL	5306160- P00	P00 P01 P02	1			仪表板右下面罩 LOWER FINISH PANEL, INSTRUMENT PANEL, RH	5306201- P50	P50 P51	1	
	仪表板右通风口盖板总成 COVER PLATE, RIGHT AIR VENT , INSTRUMENT PANEL	5306160- P50	P50 P51	1		30	4 #铁卡 CLIP, NO. 4	5306202- P00	P00 P01 P02 P50	14	
18	3 #铁卡 CLIP, NO. 3	5306151- P00	P00 P01 P02 P50	4		31	仪表板左下面罩杂物盒 GLOVE BOX, LOWER FINISH PANEL, INSTRUMENT PANEL, LH	5306203- P00	P00 P01 P02	1	
19	烟灰盒支座总成 ASHTRAY SEAT ASSEMBLY	5306170- P00	P00 P01 P02 P50	1			仪表板右下面罩杂物盒 GLOVE BOX, LOWER FINISH PANEL, INSTRUMENT PANEL, RH	5306203- P50	P50 P51	1	
20	十字槽盘头自攻螺钉 SCREW	Q2714816		5		32	十字槽盘头自攻螺钉 SCREW	Q2724816F31		1	
21	六角法兰面自排屑螺母 NUT	Q32106		3		33	仪表板装饰面罩总成 TRIM PANEL ASSEMBLY, INSTRUMENT PANEL	5306300- P00	P00 P01 P02 P50	1	

## 53- 02 仪表板 INSTRUMENT PANEL

序号 S/N	零部件名称 DESCRIPTION	零部件代码 PARTCODE	适用车型 VEHICLE MODEL	用量 QTY.	备注 REMARK	序号	零部件名称 DESCRIPTION	零部件代码 PARTCODE	适用车型 VEHICLE MODEL	用量 QTY.	备注 REMARK
34	仪表板装饰面罩 TRIM PANEL, INSTRUMENT PANEL	5306301- P00	P00 P01 P02 P50	1							
35	仪表板装饰面罩胶片 RUBBER PATCH, TRIM PANEL, INSTRUMENT PANEL	5306302- P00	P00 P01 P02 P50	1							
36	仪表板装饰面罩胶片卡圈 SNAP RING, RUBBER PATCH, TRIM PANEL, INSTRUMENT PANEL	5306303- P00	P00 P01 P02 P50	3							
37	仪表板中部面罩总成 INSTRUMENT PANEL MIDDLE TRIM PANEL ASSEMBLY	5306400- P00	P00 P01 P02 P50	1							
	仪表板中部面罩总成 INSTRUMENT PANEL MIDDLE TRIM PANEL ASSEMBLY	5306400- P02	P02	1							
38	仪表板中部面罩 INSTRUMENT PANEL MIDDLE TRIM PANEL	5306401- P00	P00 P01 P02 P50	1							
39	仪表板中部面罩左通风口总成 LEFT AIR VENT ASSEMBLY, INSTRUMENT PANEL MIDDLE TRIM PANEL	5306410- P00	P00 P01 P02 P50	1							
40	仪表板中部面罩右通风口总成 RIGHT AIR VENT ASSEMBLY, INSTRUMENT PANEL MIDDLE TRIM PANEL	5306420- P00	P00 P01 P02 P50	1							
41	仪表板中部面罩开关盖板 SWITCH COVER, INSTRUMENT PANEL MIDDLE TRIM PANEL	5306402- P00	P00 P01 P02 P50	1							
	仪表板中部面罩开关盖板 SWITCH COVER, INSTRUMENT PANEL MIDDLE TRIM PANEL	5306402- P02	P02	1							
42	仪表板内烟灰盒总成 ASH TRAY ASSEMBLY, INSTRUMENT PANEL	5306500- P00	P00 P01 P02 P50	1							

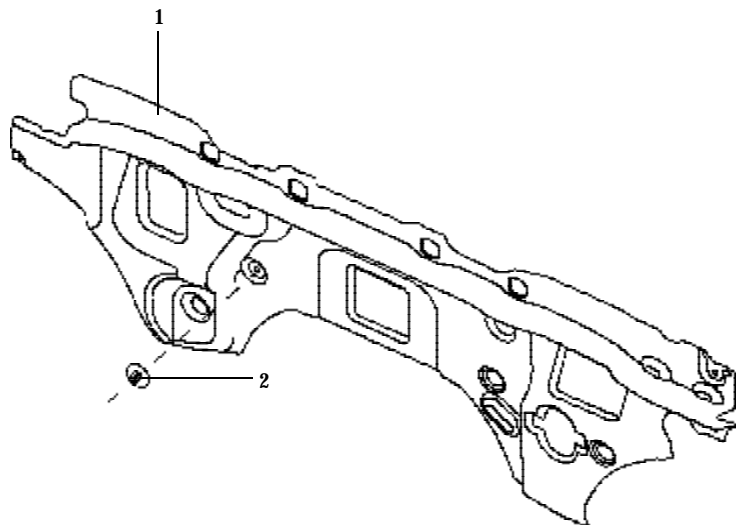
53- 03 仪表板加强梁 INSTRUMENT PANEL REINFORCEMENT MEMBER

序 号 S/N	零部件名称 DESCRIPTION	零部件代码 PARTCODE	适用车型 VEHICLE MODEL	用 量 QTY.	备注 REMARK
1	仪表板加强梁本体总成 REINFORCEMENT MEMBER ASSEMBLY, INSTRUMENT PANEL	5306710- P00	P00 P01 P02	1	
2	仪表板加强梁左安装支架总成 MOUNTING BRACKET ASSEMBLY, INSTRUMENT PANEL REINFORCEMENT MEMBER, LH	5306740- P00	P00 P01 P02	1	
3	仪表板加强梁右安装支架总成 MOUNTING BRACKET ASSEMBLY, INSTRUMENT PANEL REINFORCEMENT MEMBER, RH	5306730- P00	P00 P01 P02	1	
4	仪表板左下面罩加强板总成 REINFORCEMENT PANEL ASSEMBLY, LOWER FINISH PANEL, INSTRUMENT PANEL, LH	5306750- P00	P00 P01 P02	1	

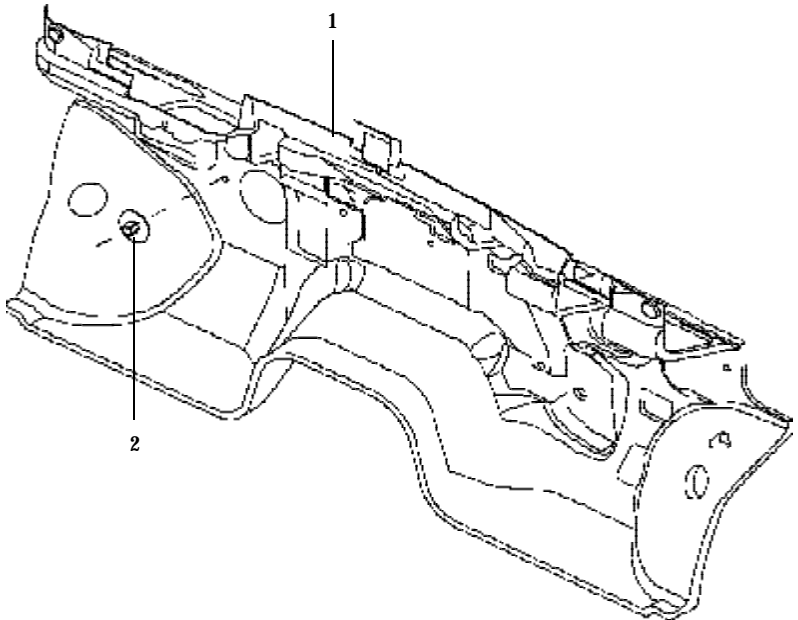


## 53- 04 前围隔热层 FRONT WALL HEAT INSULATOR

序号 S/N	零部件名称 DESCRIPTION	零部件代码 PARTCODE	适用车型 VEHICLE MODEL	用量 QTY.	备注 REMARK
	1	外前围隔热层 HEAT INSULATOR, OUTER FRONT WALL	5310013- P00	P00 P01 P02	1
	外前围隔热层 HEAT INSULATOR, OUTER FRONT WALL	5310013- P50	P50	1	
2	前围隔热层固定扣 CLIP, HEAT INSULATOR, FRONT WALL	5310013- K00	P00 P01 P02	5	
	前围隔热层固定扣 CLIP, HEAT INSULATOR, FRONT WALL	5310012- K00	P50	7	

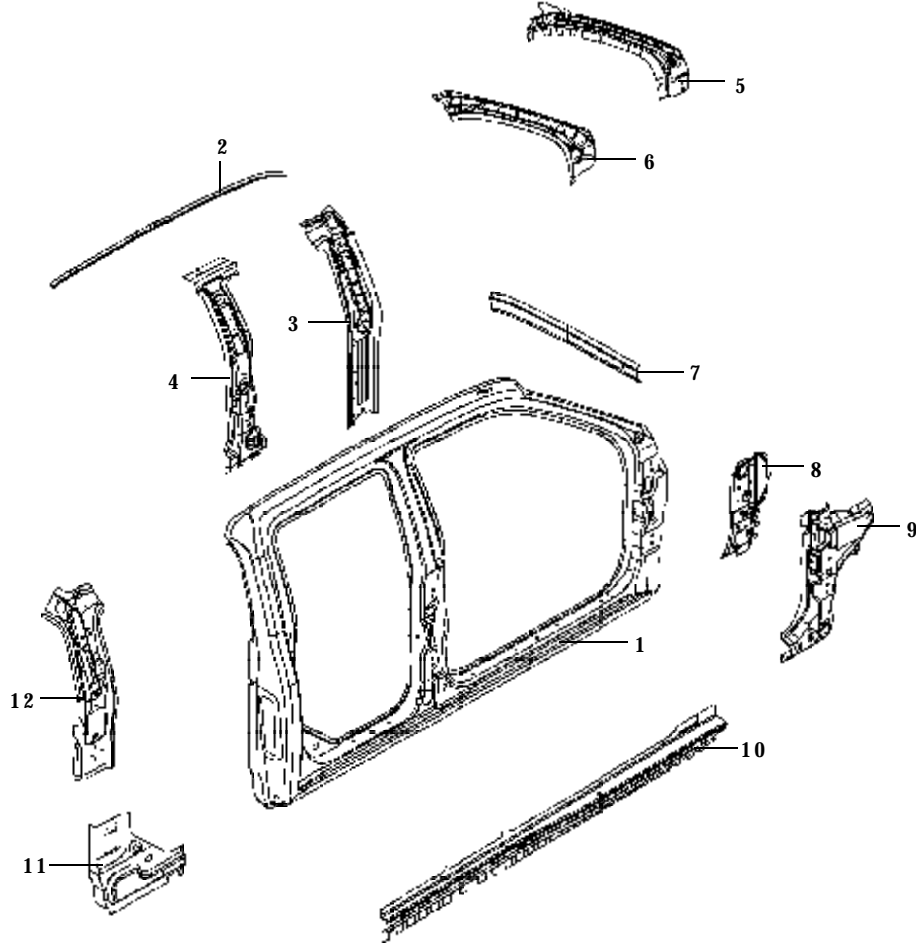


## 53- 05 前围隔热层 FRONT WALL HEAT INSULATOR

	序号 S/N	零部件名称 DESCRIPTION	零部件代码 PARTCODE	适用车型 VEHICLE MODEL	用量 QTY.	备注 REMARK
	1	前围隔热层总成 FRONT WALL HEAT INSULATOR ASSEMBLY	5310100- P00	P00 P01 P02 P50	1	
		前围隔热层总成 FRONT WALL HEAT INSULATOR ASSEMBLY	5310100- P50	P50	1	
	2	前围隔热层固定扣 CLIP, HEAT INSULATOR, FRONT WALL	5310013- K00	P00 P01 P02	9	
		前围隔热层固定扣 CLIP, HEAT INSULATOR, FRONT WALL	5310012- K00	P50	10	

## 54- 01 侧围骨架 BODY SIDE SKELETON

序号 S/N	零部件名称 DESCRIPTION	零部件代码 PARTCODE	适用车型 VEHICLE MODEL	用	备注 REMARK
				量 QTY.	
1	右侧围外板 OUTER PANEL, BODY SIDE, RH	5401102- P00	P00 P01 P02	1	左舵 LEFT HAND DRIVE
	右侧围外板 OUTER PANEL, BODY SIDE, RH	5401102- P50	P50	1	右舵 RIGHT HAND DRIVE
1	左侧围外板 OUTER PANEL, BODY SIDE, LH	5401101- P00	P00 P01 P02	1	左舵 LEFT HAND DRIVE
	左侧围外板 OUTER PANEL, BODY SIDE, LH	5401101- P50	P50	1	右舵 RIGHT HAND DRIVE
2	右侧后段流水槽 REAR ROOF RAIL, RH	5401108- P00	P00 P01 P02 P50	1	
	左侧后段流水槽 REAR ROOF RAIL, LH	5401107- P00	P00 P01 P02 P50	1	
3	右中立柱内板 INNER PANEL, B PILLAR, RH	5401114- P00	P00 P01 P02 P50	1	
	左中立柱内板 INNER PANEL, B PILLAR, LH	5401113- P00	P00 P01 P02 P50	1	
4	右中立柱加强板 REINFORCEMENT PANEL, B PILLAR, RH	5401212- P00	P00 P01 P02 P50	1	
	左中立柱加强板 REINFORCEMENT PANEL, B PILLAR, LH	5401211- P00	P00 P01 P02 P50	1	
5	右前立柱上加强板 UPPER REINFORCEMENT PANEL, A PILLAR, RH	5401112- P00	P00 P01 P02 P50	1	
	左前立柱上加强板 UPPER REINFORCEMENT PANEL, A PILLAR, LH	5401111- P00	P00 P01 P02 P50	1	
6	右前立柱上内板 UPPER INNER PANEL, A PILLAR, RH	5401132- P00	P00 P01 P02 P50	1	
	左前立柱上内板 UPPER INNER PANEL, A PILLAR, LH	5401131- P00	P00 P01 P02 P50	1	
7	右侧前段流水槽 FRONT ROOF RAIL, RH	5401106- P00	P00 P01 P02 P50	1	
	左侧前段流水槽 FRONT ROOF RAIL, LH	5401105- P00	P00 P01 P02 P50	1	





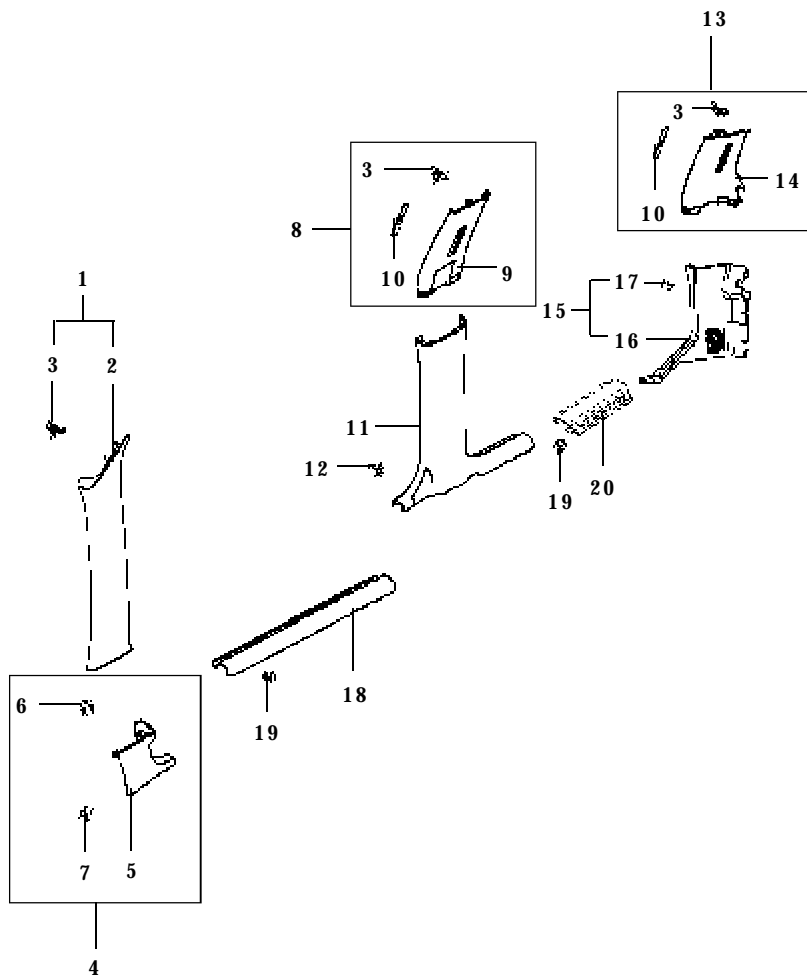
## 54- 01 侧围骨架 BODY SIDE SKELETON

113

序号 S/N	零部件名称 DESCRIPTION	零部件代码 PARTCODE	适用车型 VEHICLE MODEL	用量 QTY.	备注 REMARK	序号	零部件名称 DESCRIPTION	零部件代码 PARTCODE	适用车型 VEHICLE MODEL	用量 QTY.	备注 REMARK
8	右前立柱下内板 LOWER INNER PANEL, A PILLAR, RH	5401152- P00	P00 P01 P02 P50	1							
	左前立柱下内板 LOWER INNER PANEL, A PILLAR, LH	5401151- P00	P00 P01 P02 P50	1							
9	右前立柱下加强板 LOWER REINFORCEMENT PANEL, A PILLAR, RH	5401172- P00	P00 P01 P02 P50	1							
	左前立柱下加强板 LOWER REINFORCEMENT PANEL, A PILLAR, LH	5401171- P00	P00 P01 P02 P50	1							
10	右侧围下边梁加强板 REINFORCEMENT PANEL, LOWER SIDE SILL, RH	5401115- P00	P00 P01 P02 P50	1							
	左侧围下边梁加强板 REINFORCEMENT PANEL, LOWER SIDE SILL, LH	5401115- P00	P00 P01 P02 P50	1							
11	右后立柱下内板 LOWER INNER PANEL, C PILLAR, RH	5401314- P00	P00 P01 P02 P50	1							
	左后立柱下内板 LOWER INNER PANEL, C PILLAR, LH	5401313- P00	P00 P01 P02 P50	1							
12	右后立柱上内板 UPPER INNER PANEL, C PILLAR, RH	5401312- P00	P00 P01 P02 P50	1							
	左后立柱上内板 UPPER INNER PANEL, C PILLAR, LH	5401311- P00	P00 P01 P02 P50	1							

## 54- 02 侧围护面 BODY SIDE SHIELD

序号 S/N	零部件名称 DESCRIPTION	零部件代码 PARTCODE	适用车型 VEHICLE MODEL	用量 QTY.	备注 REMARK
1	右前立柱上装饰板总成 UPPER TRIM ASSEMBLY, A PILLAR, RH	5402120- P00	P00 P01 P02 P50	1	
2	右前立柱上装饰板 UPPER TRIM, A PILLAR, RH	5402112- P00	P00 P01 P02 P50	1	
3	装饰板铁卡子 TRIM CLIP	5402011- P00	P00 P01 P02 P50	9	
4	右前立柱下装饰板总成 LOWER TRIM ASSEMBLY, A PILLAR, RH	5402140- P00	P00 P01 P02 P50	1	
5	右前立柱下装饰板 LOWER TRIM, A PILLAR, RH	5402132- P00	P00 P01 P02 P50	1	
6	前立柱下装饰板上铁卡子 UPPER CLIP, LOWER TRIM, A PILLAR	5402133- P00	P00 P01 P02 P50	1	
7	前立柱下装饰板下铁卡子 LOWER CLIP, LOWER TRIM, A PILLAR	5402134- P00	P00 P01 P02 P50	1	
8	右中立柱上装饰板总成 UPPER TRIM ASSEMBLY, B PILLAR, RH	5402220- P00	P00 P01 P02 P50	1	
9	右中立柱上装饰板 UPPER TRIM, B PILLAR, RH	5402212- P00	P00 P01 P02 P50	1	
10	安全带调节板 SAFETY BELT ADJUSTING PLATE	5402213- P00	P00 P01 P02 P50	2	
11	右中立柱下装饰板 LOWER TRIM, B PILLAR, RH	5402202- P00	P00 P01 P02 P50	1	
12	装饰板卡扣 TRIM CLIP	5402203- P00	P00 P01 P02 P50	3	
13	右后立柱上装饰板总成 UPPER TRIM ASSEMBLY, C PILLAR, RH	5402320- P00	P00 P01 P02 P50	1	
14	右后立柱上装饰板 UPPER TRIM, C PILLAR, RH	5402312- P00	P00 P01 P02 P50	1	
15	右后立柱下装饰板总成 LOWER TRIM ASSEMBLY, C PILLAR, RH	5402340- P00	P00 P01 P02 P50	1	
16	右后立柱下装饰板 LOWER TRIM, C PILLAR, RH	5402332- P00	P00 P01 P02 P50	1	



## 54- 02 侧围护面 BODY SIDE SHIELD

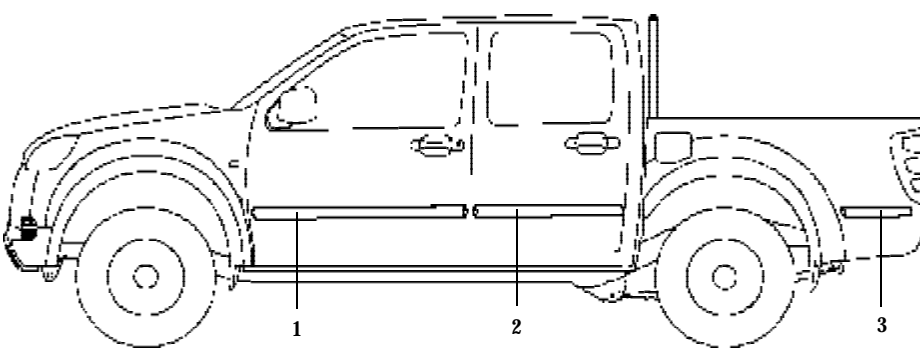
115

序号 S/N	零部件名称 DESCRIPTION	零部件代码 PARTCODE	适用车型 VEHICLE MODEL	用量 QTY.	备注 REMARK	序号	零部件名称 DESCRIPTION	零部件代码 PARTCODE	适用车型 VEHICLE MODEL	用量 QTY.	备注 REMARK
17	后立柱下装饰板铁卡子 CLIP, LOWER TRIM, C PILLAR	5402333- P00	P00 P01 P02 P50	1							
18	右前侧车门门槛 FRONT ROCKER, RH	5402502- P00	P00 P01 P02 P50	1							
19	侧面车门内饰板卡扣 DOOR TRIM PANEL CLIP	6102016- P00	P00 P01 P02 P50	12							
20	后门侧车门门槛 REAR ROCKER	5402601- P00	P00 P01 P02 P50	2							

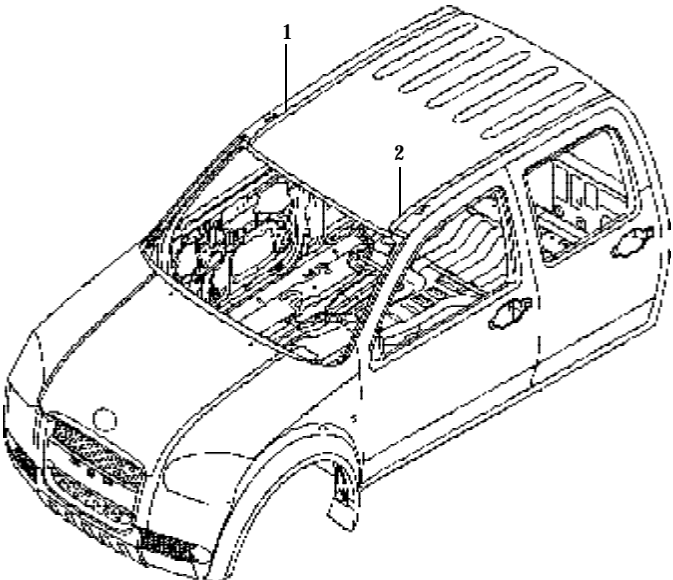
## 54- 02 侧围护面 BODY SIDE SHIELD

序号 S/N	零部件名称 DESCRIPTION	零部件代码 PARTCODE	适用车型 VEHICLE MODEL	用量 QTY.	备注 REMARK	序号	零部件名称 DESCRIPTION	零部件代码 PARTCODE	适用车型 VEHICLE MODEL	用量 QTY.	备注 REMARK
1	左前立柱上装饰板总成 UPPER TRIM ASSEMBLY, A PILLAR, LH	5402110- P00	P00 P01 P02 P50	1		17	后立柱下装饰板铁卡子 CLIP, LOWER TRIM, C PILLAR	5402333- P00	P00 P01 P02 P50	1	
2	左前立柱上装饰板 UPPER TRIM, A PILLAR, LH	5402111- P00	P00 P01 P02 P50	1		18	左前侧车门门槛 FRONT ROCKER, LH	5402501- P00	P00 P01 P02 P50	1	
3	装饰板铁卡子 TRIM CLIP	5402011- P00	P00 P01 P02 P50	9		19	侧面车门内饰板卡扣 DOOR TRIM PANEL CLIP	6102016- P00	P00 P01 P02 P50	12	
4	左前立柱下装饰板总成 LOWER TRIM ASSEMBLY, A PILLAR, LH	5402130- P00	P00 P01 P02 P50	1							
5	左前立柱下装饰板 LOWER TRIM, A PILLAR, LH	5402131- P00	P00 P01 P02 P50	1							
6	前立柱下装饰板上铁卡子 UPPER CLIP, LOWER TRIM, A PILLAR	5402133- P00	P00 P01 P02 P50	1							
7	前立柱下装饰板下铁卡子 LOWER CLIP, LOWER TRIM, A PILLAR	5402134- P00	P00 P01 P02 P50	1							
8	左中立柱上装饰板总成 UPPER TRIM ASSEMBLY, B PILLAR, LH	5402210- P00	P00 P01 P02 P50	1							
9	左中立柱上装饰板 UPPER TRIM, B PILLAR, LH	5402211- P00	P00 P01 P02 P50	1							
10	安全带调节板 SAFETY BELT ADJUSTING PLATE	5402213- P00	P00 P01 P02 P50	2							
11	左中立柱下装饰板 LOWER TRIM, B PILLAR, LH	5402201- P00	P00 P01 P02 P50	1							
12	装饰板卡扣 TRIM CLIP	5402203- P00	P00 P01 P02 P50	3							
13	左后立柱上装饰板总成 UPPER TRIM ASSEMBLY, C PILLAR, LH	5402310- P00	P00 P01 P02 P50	1							
14	左后立柱上装饰板 UPPER TRIM, C PILLAR, LH	5402311- P00	P00 P01 P02 P50	1							
15	左后立柱下装饰板总成 LOWER TRIM ASSEMBLY, C PILLAR, LH	5402330- P00	P00 P01 P02 P50	1							
16	左后立柱下装饰板 LOWER TRIM, C PILLAR, LH	5402331- P00	P00 P01 P02 P50	1							

## 55- 01 车身装饰 BODY TRIM

	序号 S/N	零部件名称 DESCRIPTION	零部件代码 PARTCODE	适用车型 VEHICLE MODEL	用量 QTY.	备注 REMARK
	1	左前车身防撞胶条总成 FRONT DOOR ANTISCUFF RIB ASSEMBLY, LH	5500100- P00	P00 P01 P02 P50	1	
		右前车身防撞胶条总成 FRONT DOOR ANTISCUFF RIB ASSEMBLY, RH	5500200- P00	P00 P01 P02 P50	1	
	2	左后车身防撞胶条总成 REAR DOOR ANTISCUFF RIB ASSEMBLY, LH	5500300- P00	P00 P01 P02 P50	1	
		右后车身防撞胶条总成 REAR DOOR ANTISCUFF RIB ASSEMBLY, RH	5500400- P00	P00 P01 P02 P50	1	
	3	车箱左侧防撞胶条总成 CARGO BODY ANTISCUFF RIB ASSEMBLY, LH	5500500- P00	P00 P01 P02 P50	1	
		车箱右侧防撞胶条总成 CARGO BODY ANTISCUFF RIB ASSEMBLY, RH	5500600- P00	P00 P01 P02 P50	1	

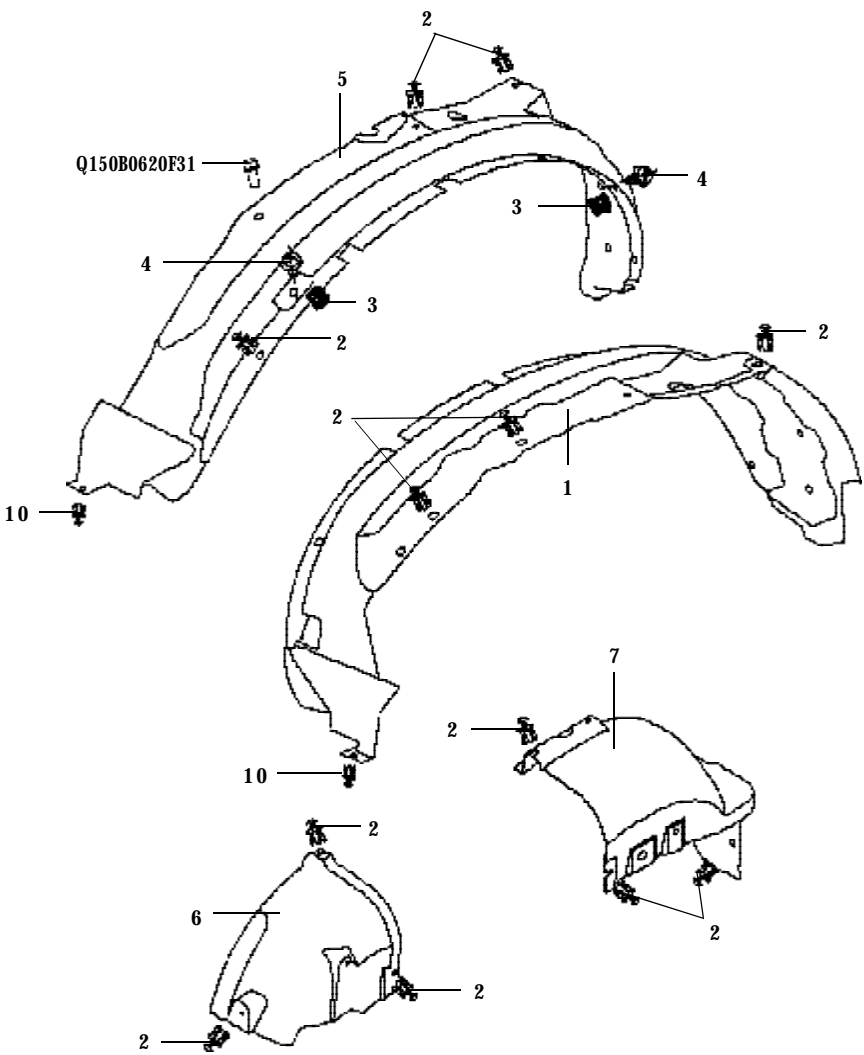
## 55- 02 顶盖装饰条 ROOF PANEL TRIM

	序号 S/N	零部件名称 DESCRIPTION	零部件代码 PARTCODE	适用车型 VEHICLE MODEL	用量 QTY.	备注 REMARK
	1	顶盖左装饰条 ROOF PANEL TRIM STRIP, LH	5501011- P00	P00 P01 P02 P50 P51 P52	1	
	2	顶盖右装饰条 ROOF PANEL TRIM STRIP, RH	5501012- P00	P00 P01 P02 P50 P51 P52	1	

## 55- 03 散热器护栏 RADIATOR GRILLE

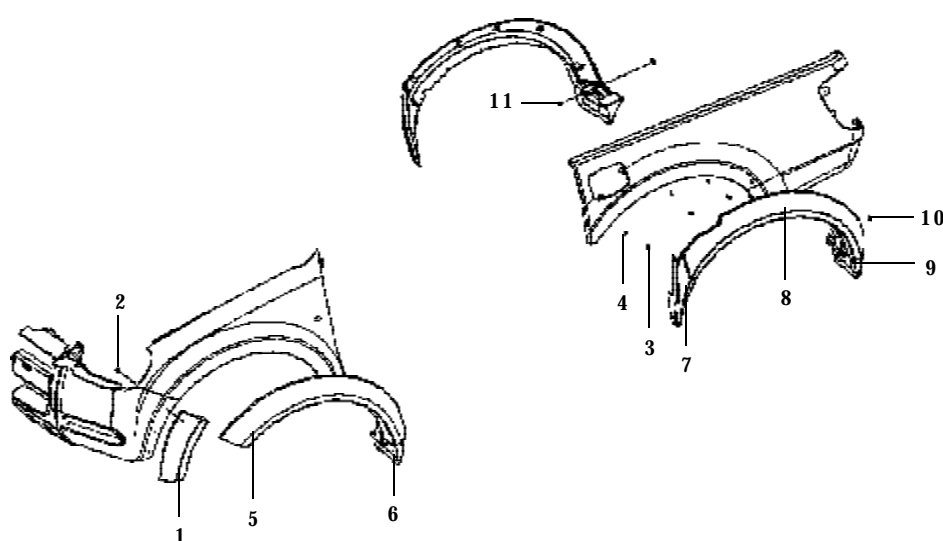
	序号 S/N	零部件名称 DESCRIPTION	零部件代码 PARTCODE	适用车型 VEHICLE MODEL	用量 QTY.	备注 REMARK
	1	发动机罩装饰条安装螺栓 ENGINE HOOD TRIM STRIP MOUNTING BOLT	5509011- P00	P00 P01 P02 P50	7	
	2	发动机罩装饰条总成 ENGINE HOOD TRIM STRIP ASSEMBLY	5509100- P00	P00 P01 P02 P50	1	
		组合式盖形螺母 NUT	Q394B05		7	

## 55- 04 轮罩装饰件 WHEELHOUSE TRIM

	序号 S/N	零部件名称 DESCRIPTION	零部件代码 PARTCODE	适用车型 VEHICLE MODEL	用量 QTY.	备注 REMARK
	1	右前轮防溅垫 FRONT WHEEL SPLASH GUARD, RH	5512011- P00	P00 P01 P02 P50 P51 P52	1	
	2	防溅垫涨扣 CLIP, WHEEL SPLASH GUARD	5512302- K00	P00 P01 P02 P50 P51 P52	27	
	3	弹簧卡子 CLIP	2803304- K00	P00 P01 P02 P50 P51 P52	6	
	4	十字槽凹穴六角头自攻螺钉大垫圈组合件 SCREW & WASHER KIT	2803303- K00	P00 P01 P02 P50 P51 P52	6	
	5	左前轮防溅垫 FRONT WHEEL SPLASH GUARD, LH	5512014- P00	P00 P01 P02 P50 P51 P52	1	
	6	左后轮防溅垫前段 FRONT SECTION, REAR WHEEL SPLASH GUARD, LH	5512015- P00	P00 P01 P02 P50 P51 P52	1	
	7	左后轮防溅垫后段 REAR SECTION, REAR WHEEL SPLASH GUARD, LH	5512017- P00	P00 P01 P02 P50 P51 P52	1	
	8	右后轮防溅垫前段 FRONT SECTION, REAR WHEEL SPLASH GUARD, RH	5512016- P00	P00 P01 P02 P50 P51 P52	1	
	9	右后轮防溅垫后段 REAR SECTION, REAR WHEEL SPLASH GUARD, RH	5512018- P00	P00 P01 P02 P50 P51 P52	1	
	10	保险杠涨扣 BUMPER CLIP	2803305- K00	P00 P01 P02 P50 P51 P52	2	
		六角头螺栓 + 大垫圈 BOLT & WASHER	Q150B0620F31 (Q40206F31)		1	



## 55- 05 轮罩装饰件 WHEELHOUSE TRIM

	序号 S/N	零部件名称 DESCRIPTION	零部件代码 PARTCODE	适用车型 VEHICLE MODEL	用 量 QTY.	备注 REMARK
		左前轮弧装饰条总成 FRONT WHEEL OPENING MOULDING ASSEMBLY, LH	5512500- P00	P00 P02 P50 P52	1	
		右前轮弧装饰条总成 FRONT WHEEL OPENING MOULDING ASSEMBLY, RH	5512600- P00	P00 P02 P50 P52	1	
		左后轮弧装饰条总成 REAR WHEEL OPENING MOULDING ASSEMBLY, LH	5512700- P00	P00 P02 P50 P52	1	
		右后轮弧装饰条总成 REAR WHEEL OPENING MOULDING ASSEMBLY, RH	5512800- P00	P00 P02 P50 P52	1	
	1	左前轮弧装饰条前段总成 FRONT SECTION ASSEMBLY, FRONT WHEEL OPENING MOULDING, LH	5512510- P00	P00 P02 P50 P52	1	左右对称 EUDIPLURAL
		右前轮弧装饰条前段总成 FRONT SECTION ASSEMBLY, FRONT WHEEL OPENING MOULDING, RH	5512520- P00	P00 P02 P50 P52	1	
	2	六角螺母和锥形弹性垫圈组合件 NUT & WASHER KIT	Q33206L		6	
	3	轮弧装饰条安装卡扣 CLIP, WHEEL OPENING MOULDING	5512536- P00	P00 P02 P50 P52	20	
	4	轮弧装饰条安装卡座 MOUNTING CLAMP SEAT, WHEEL OPENING MOULDING	5512537- P00	P00 P02 P50 P52	20	
	5	左前轮轮弧装饰条 FRONT WHEEL OPENING MOULDING, LH	5512531- P00	P00 P02 P50 P52	1	左右对称 EUDIPLURAL
		右前轮轮弧装饰条 FRONT WHEEL OPENING MOULDING, RH	5512532- P00	P00 P02 P50 P52	1	
	6	左前轮轮弧装饰条后挡泥板 REAR MUDGUARD, FRONT WHEEL OPENING MOULDING, LH	5512533- P00	P00 P02 P50 P52	1	左右对称 EUDIPLURAL
		右前轮轮弧装饰条后挡泥板 REAR MUDGUARD, FRONT WHEEL OPENING MOULDING, RH	5512534- P00	P00 P02 P50 P52	1	
	7	左后轮弧装饰条前挡泥板 FRONT MUDGUARD, REAR WHEEL OPENING MOULDING, LH	5512701- P00	P00 P02 P50 P52	1	左右对称 EUDIPLURAL
		右后轮弧装饰条前挡泥板 FRONT MUDGUARD, REAR WHEEL OPENING MOULDING, RH	5512702- P00	P00 P02 P50 P52	1	
	8	左后轮弧装饰条 REAR WHEEL OPENING MOULDING, LH	5512705- P00	P00 P02 P50 P52	1	

## 55- 05 轮罩装饰件 WHEELHOUSE TRIM

序号 S/N	零部件名称 DESCRIPTION	零部件代码 PARTCODE	适用车型 VEHICLE MODEL	用 量 QTY.	备注 REMARK	序号	零部件名称 DESCRIPTION	零部件代码 PARTCODE	适用车型 VEHICLE MODEL	用 量 QTY.	备注 REMARK
8	右后轮弧装饰条 REAR WHEEL OPENING MOULDING, RH	5512801- P00	P00 P02 P50 P52	1							
9	左后轮轮弧装饰条后挡泥板 REAR MUDGUARD, REAR WHEEL OPENING MOULDING, LH	5512703- P00	P00 P02 P50 P52	1	左右对称 EUDIPLURAL						
	右后轮轮弧装饰条后挡泥板 REAR MUDGUARD, REAR WHEEL OPENING MOULDING, RH	5512704- P00	P00 P02 P50 P52	1							
10	弹簧卡子 CLIP	2803304- K00	P00 P02 P50 P52	24							
11	十字槽凹六角头自攻螺钉 + 大垫圈组合 SCREW & WASHER KIT	2803303- K00	P00 P02 P50 P52	24							

## 55- 06 轮罩装饰件 WHEELHOUSE TRIM

	序号 S/N	零部件名称 DESCRIPTION	零部件代码 PARTCODE	适用车型 VEHICLE MODEL	用量 QTY.	备注 REMARK
	1	左前轮后挡泥板 FRONT WHEEL REAR MUDGUARD, LH	5512511- P01	P01 P51	1	左右对称 EUDIPLURAL
		右前轮后挡泥板 FRONT WHEEL REAR MUDGUARD, RH	5512512- P01	P01 P51	1	
	2	左后轮后挡泥板 REAR WHEEL REAR MUDGUARD, LH	5512711- P01	P01 P51	1	左右对称 EUDIPLURAL
		右后轮后挡泥板 REAR WHEEL REAR MUDGUARD, RH	5512712- P01	P01 P51	1	
	3	弹簧卡子 CLIP	2803304- K00		14	
	4	十字凹穴六角头自攻螺钉+大垫圈组合 SCREW & WASHER KIT	2803303- K00		14	

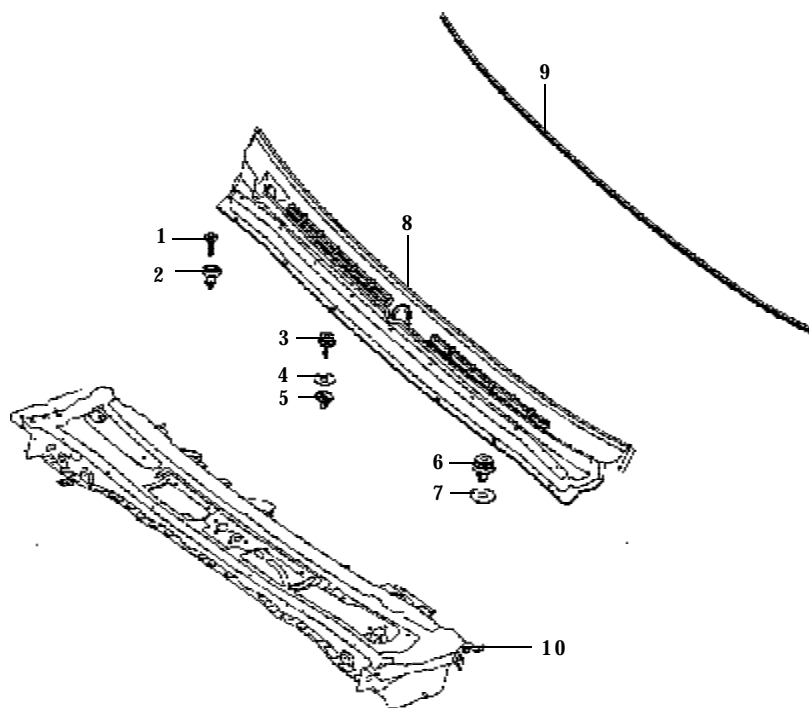
## 55- 07 专用隔热、隔音装饰件 SPECIAL HEAT AND SOUND INSULATION TRIM

序号 S/N	零部件名称 DESCRIPTION	零部件代码 PARTCODE	适用车型 VEHICLE MODEL	用量 QTY.	备注 REMARK
1	发动机罩隔热层 HEAT INSULATOR, ENGINE HOOD	5531011- P00	P00 P01 P02 P50	1	
2	发动机罩隔热层固定卡扣 CLIP, HEAT INSULATOR, ENGINE HOOD	5531012- P00	P00 P01 P02 P50	16	

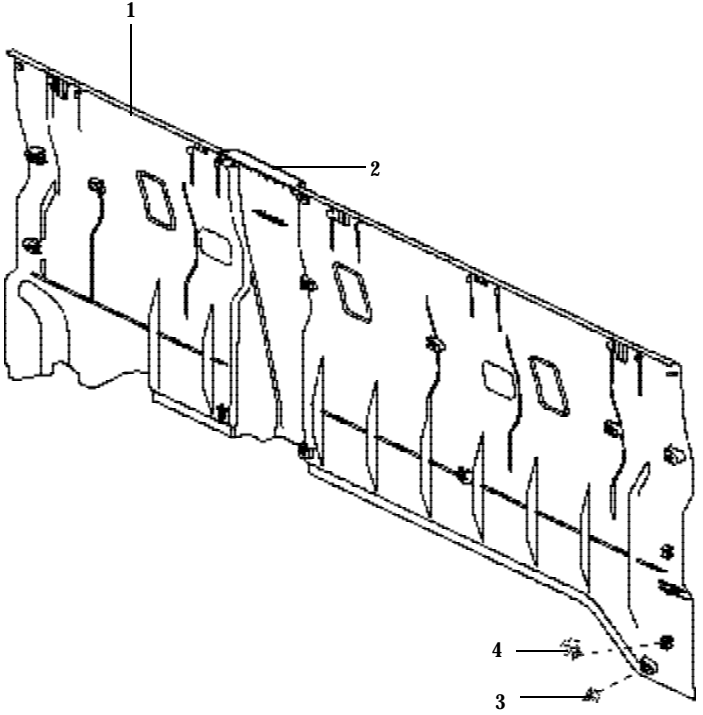
  

The drawing shows a perspective view of the engine hood assembly. Part 1 is a large, multi-lobed heat insulator panel that covers the top and sides of the hood. Part 2 is a small, circular clip that is used to secure the insulator to the hood's structure. The drawing is a line drawing with dashed lines indicating hidden parts.

序号 S/N	零部件名称 DESCRIPTION	零部件代码 PARTCODE	适用车型 VEHICLE MODEL	用量 QTY.	备注 REMARK
1	前通风窗盖板塑料螺钉 PLASTIC SCREW, COWL TOP VENTILATOR LOUVER	5532011- P00	P00 P01 P02 P50	6	
2	前通风窗盖板塑料螺钉卡座 CLAMP SEAT, PLASTIC SCREW, COWL TOP VENTILATOR LOUVER	5532012- P00	P00 P01 P02 P50	6	
3	前通风窗盖板中部卡钉 MIDDLE CLAMP SCREW, COWL TOP VENTILATOR LOUVER	5532013- P00	P00 P01 P02 P50	2	
4	前通风窗盖板中部海绵垫圈 MIDDLE SPONGE WASHER, COWL TOP VENTILATOR LOUVER	5532014- P00	P00 P01 P02 P50	2	
5	前通风窗盖板中部卡座 MIDDLE CLAMP SEAT, COWL TOP VENTILATOR LOUVER	5532016- P00	P00 P01 P02 P50	2	
6	前通风窗盖板卡扣 CLIP, COWL TOP VENTILATOR LOUVER	5532017- P00	P00 P01 P02 P50	6	
7	前通风窗盖板卡扣海绵垫圈 SPONGE WASHER, COWL TOP VENTILATOR LOUVER CLIP	5532018- P00	P00 P01 P02 P50	6	
8	前通风窗盖板本体 COWL TOP VENTILATOR LOUVER	5532101- P00	P00 P01 P02	1	
	前通风窗盖板本体 COWL TOP VENTILATOR LOUVER	5532101- P50	P50	1	
9	前通风窗盖板密封条 HOOD TO COWL TOP SEAL STRIP	5532102- P00	P00 P01 P02 P50	1	
10	前围上部总成 COWL PANEL ASSEMBLY	5301200- P00	P00 P01 P02	1	

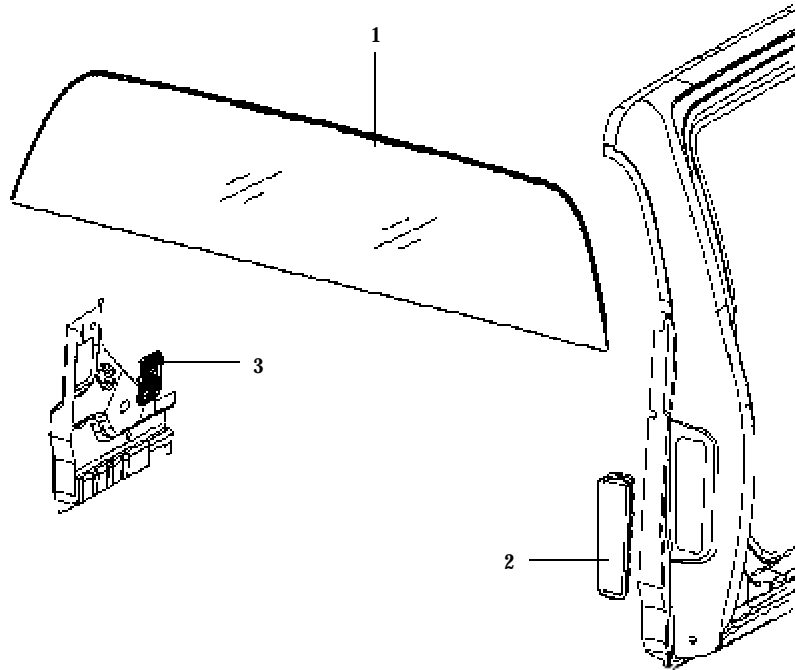


## 56- 01 后围护面 REAR WALL SHIELD

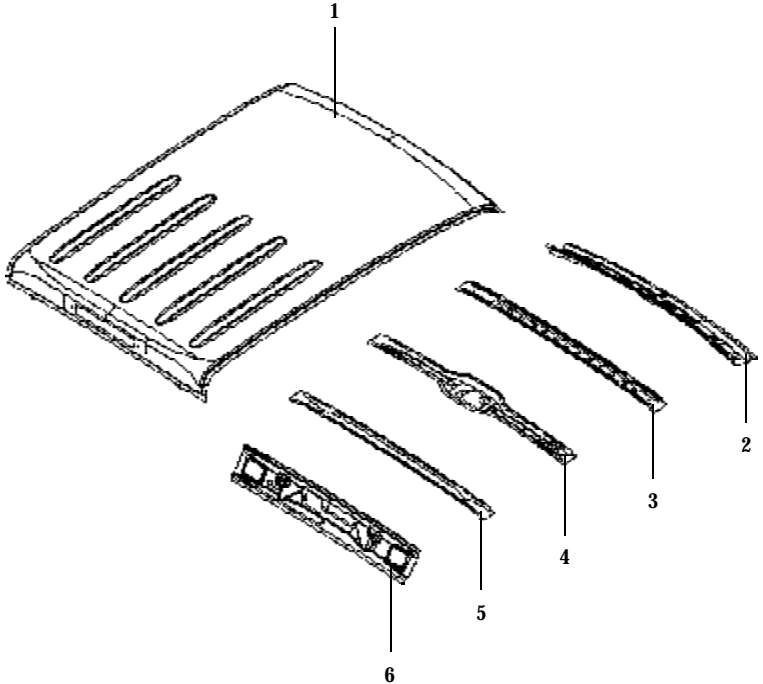
序 号 S/N	零部件名称 DESCRIPTION	零部件代码 PARTCODE	适用车型 VEHICLE MODEL	用 量 QTY.	备注 REMARK
	后围护板总成 REAR WALL INNER SHIELD ASSEMBLY	5602100- P00	P00 P01 P02 P50	1	
	1 后围护板 REAR WALL INNER SHIELD	5602101- P00	P00 P01 P02 P50	1	
	2 后围护板镶条 WELTS STRIP, REAR WALL INNER SHIELD	5602107- P00	P00 P01 P02 P50	1	
	3 后围护板铁卡子 CLIP, REAR WALL INNER SHIELD	5602106- P00	P00 P01 P02 P50	1	
	4 装饰板卡扣 TRIM PANEL CLIP	5402203- P00	P00 P01 P02 P50	11	

# 56- 02 后围窗 REAR WALL WINDOW

序号 S/N	零部件名称 DESCRIPTION	零部件代码 PARTCODE	适用车型 VEHICLE MODEL	用量 QTY.	备注 REMARK
1	后风窗玻璃总成 REAR WALL WINDOW GLASS ASSEMBLY	5603100- P00	P00 P01 P02 P50 P51 P52	1	
2	通风窗盖板外盖板总成 VENTILATION WINDOW OUTER COVER PLATE ASSEMBLY	5603200- P00	P00 P01 P02 P50 P51 P52	2	
3	通风窗盖板内盖板 VENTILATION WINDOW INNER COVER PLATE	5603011- P00	P00 P01 P02 P50 P51 P52	2	



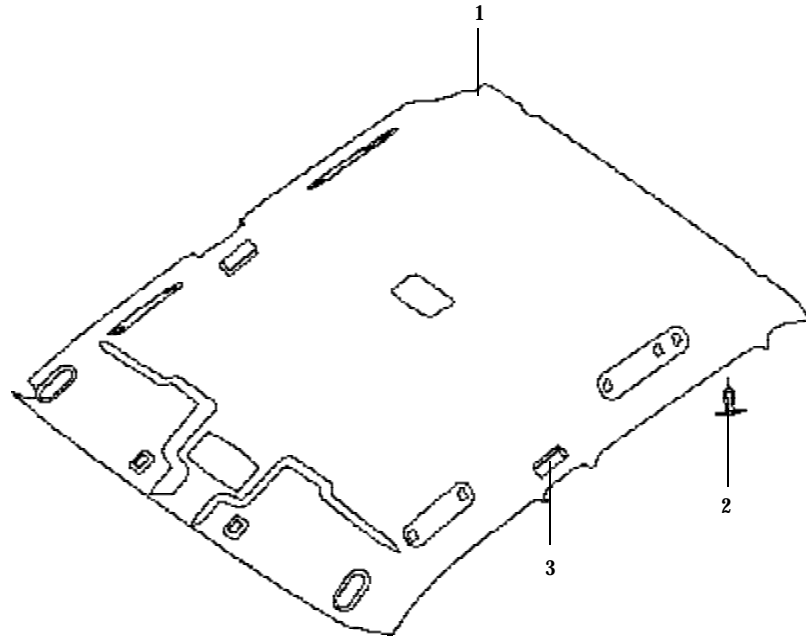
## 57- 01 顶盖骨架及盖板 ROOF SKELETON AND COVER PLATE

序 号 S/N	零部件名称 DESCRIPTION	零部件代码 PARTCODE	适用车型 VEHICLE MODEL	用 量 QTY.	备注 REMARK
	顶盖总成 ROOF PANEL ASSEMBLY	5700000- P00	P00 P01 P02 P50	1	
	1 顶盖 ROOF PANEL	5701011- P00	P00 P01 P02 P50	1	
	2 顶盖前横梁 FRONT ROOF BOW	5701012- P00	P00 P01 P02 P50	1	
	3 顶盖第一横梁 ROOF BOW, NO. 1	5701013- P00	P00 P01 P02 P50	1	
	4 顶盖第二横梁 ROOF BOW, NO. 2	5701014- P00	P00 P01 P02 P50	1	
	5 顶盖第三横梁 ROOF BOW, NO. 3	5701015- P00	P00 P01 P02 P50	1	
6 顶盖尾横梁 REAR ROOF BOW	5701016- P00	P00 P01 P02 P50	1		



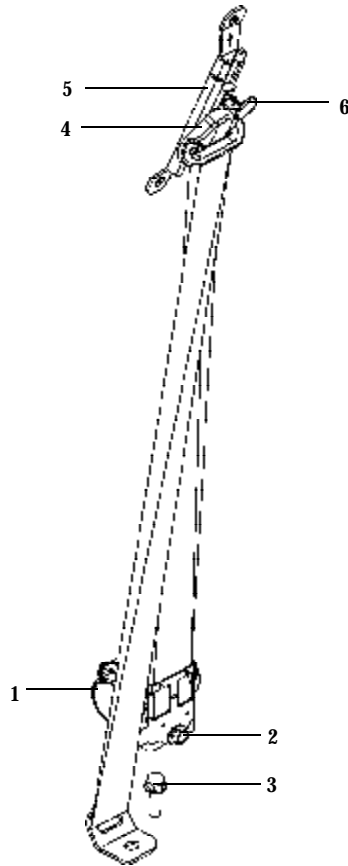
57- 02 顶盖内护面 ROOF INTERIOR SHIELD

序号 S/N	零部件名称 DESCRIPTION	零部件代码 PARTCODE	适用车型 VEHICLE MODEL	用量 QTY.	备注 REMARK
	顶棚总成 ROOF LINER ASSEMBLY	5702100- P00	P00 P01 P02 P50	1	
	顶棚总成 ROOF LINER ASSEMBLY	5702100- P00- B1	P00 P01 P02 P50	1	带阅读灯 WITH READING LAMP
1	顶棚 ROOF LINER	5702101- P00	P00 P01 P02 P50	1	
	顶棚 ROOF LINER	5702101- P00- B1	P00 P01 P02 P50	1	带阅读灯 WITH READING LAMP
2	顶棚固定卡扣 CLIP, ROOF LINER	5702102- P00	P00 P01 P02 P50	2	
3	顶棚海绵填充块 SPONGE FILLING BLOCK, ROOF LINER	5702103- P00	P00 P01 P02 P50	2	

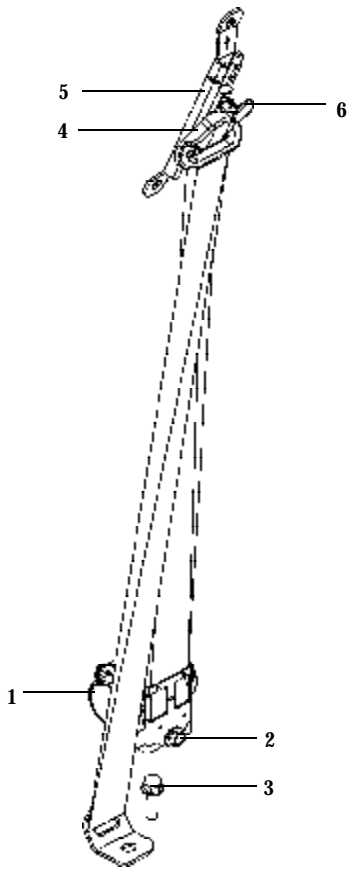


## 58- 01 前安全带 FRONT SEAT BELT

序号 S/N	零部件名称 DESCRIPTION	零部件代码 PARTCODE	适用车型 VEHICLE MODEL	用量 QTY	备注 REMARK
1	前安全带卷收器总成 FRONT SEAT BELT RETRACTOR ASSEMBLY	5811100- P00	P00 P01 P02 P50	2	
2	卷收器固定螺栓和锁紧垫圈组合件 ANCHOR BOLT & LOCK WASHER KIT, RETRACTOR	5811101- P00	P00 P01 P02 P50	8	
3	织带中部固定螺栓和锁紧垫圈组合件 MIDDLE ANCHOR BOLT & LOCK WASHER KIT, BELT WEBBING	5811102- P00	P00 P01 P02 P50	2	
4	安全带导向环盖罩 LID, BELT GUIDE LOOP	5811103- P00	P00 P01 P02 P50	2	
5	高度调节器总成 HEIGHT ADJUSTER ASSEMBLY	5811200- P00	P00 P01 P02 P50	4	
6	高度调节器高度调节钮 REGULATING BUTTON, HEIGHT ADJUSTER	5811104- P00	P00 P01 P02 P50	2	



## 58- 02 后安全带 REAR SEAT BELT

	序号 S/N	零部件名称 DESCRIPTION	零部件代码 PARTCODE	适用车型 VEHICLE MODEL	用 量 QTY	备注 REMARK
	1	后安全带卷收器总成 REAR SEAT BELT RETRACTOR ASSEMBLY	5812100- P00	P00 P01 P02 P50	2	
	2	卷收器固定螺栓和锁紧垫圈组合件 ANCHOR BOLT & LOCK WASHER KIT, RETRACTOR	5811101- P00	P00 P01 P02 P50	4	
	3	织带中部固定螺栓和锁紧垫圈组合件 MIDDLE ANCHOR BOLT & LOCK WASHER KIT, BELT WEBBING	5811102- P00	P00 P01 P02 P50	2	
	4	安全带导向环盖罩 LID, BELT GUIDE LOOP	5811103- P00	P00 P01 P02 P50	2	
	5	高度调节器总成 HEIGHT ADJUSTER ASSEMBLY	5811200- P00	P00 P01 P02 P50	2	
	6	高度调节器高度调节钮 REGULATING BUTTON, HEIGHT ADJUSTER	5811104- P00	P00 P01 P02 P50	2	

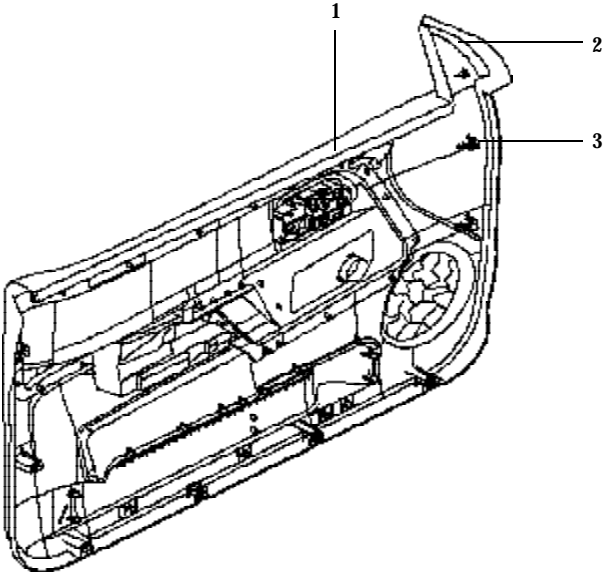
## 61- 01 车门骨架及盖板 DOOR SKELETON AND COVER PLATE

	序号 S/N	零部件名称 DESCRIPTION	零部件代码 PARTCODE	适用车型 VEHICLE MODEL	用量 QTY.	备注 REMARK
	1	右前侧面车门总成 FRONT DOOR ASSEMBLY, RH	6101200- P00	P00 P01 P02	1	
		右前侧面车门总成 FRONT DOOR ASSEMBLY, RH	6101200- P50	P50	1	
		左前侧面车门总成 FRONT DOOR ASSEMBLY, LH	6101100- P00	P00 P01 P02	1	
		左前侧面车门总成 FRONT DOOR ASSEMBLY, LH	6101100- P50	P50	1	
		右前侧面车门外板 OUTER PANEL, FRONT DOOR, RH	6101102- P00	P00 P01 P02 P50	1	
		左前侧面车门外板 OUTER PANEL, FRONT DOOR, LH	6101101- P00	P00 P01 P02 P50	1	
		右前侧面车门内板 INNER PANEL, FRONT DOOR, RH	6101112- P00	P00 P01 P02 P50	1	
		左前侧面车门内板 INNER PANEL, FRONT DOOR, LH	6101111- P00	P00 P01 P02 P50	1	
		右前侧面车门上铰链总成 UPPER HINGE ASSEMBLY, FRONT DOOR , RH	6106200- P00	P00 P01 P02 P50	1	
		左前侧面车门上铰链总成 UPPER HINGE ASSEMBLY, FRONT DOOR , LH	6106100- P00	P00 P01 P02 P50	1	
		前侧面车门限位器总成 FRONT DOOR CHECK STOP ASSEMBLY	6109000- P00	P00 P01 P02 P50	2	
		右前侧面车门玻璃导轨加长段总成 FRONT DOOR GLASS RUN RAIL LENGTHENING SEGMENT ASSEMBLY, RH	6101240- P00	P00 P01 P02 P50	1	
		左前侧面车门玻璃导轨加长段总成 FRONT DOOR GLASS RUN RAIL LENGTHENING SEGMENT ASSEMBLY, LH	6101230- P00	P00 P01 P02 P50	1	
		右前侧面车门下铰链总成 LOWER HINGE ASSEMBLY, FRONT DOOR , RH	6106400- P00	P00 P01 P02 P50	1	
	左前侧面车门下铰链总成 LOWER HINGE ASSEMBLY, FRONT DOOR , LH	6106300- P00	P00 P01 P02 P50	1		
	前侧面车门铰链加强板 REINFORCEMENT, FRONT DOOR HINGE	6101133- P00	P00 P01 P02 P50	1		

61- 01 车门骨架及盖板 DOOR SKELETON AND COVER PLATE

序号 S/N	零部件名称 DESCRIPTION	零部件代码 PARTCODE	适用车型 VEHICLE MODEL	用量 QTY.	备注 REMARK	序号 S/N	零部件名称 DESCRIPTION	零部件代码 PARTCODE	适用车型 VEHICLE MODEL	用量 QTY.	备注 REMARK
8	右前侧面车门玻璃导轨后段总成 FRONT DOOR GLASS RUN RAIL REAR SEGMENT ASSEMBLY, RH	6101220- P00	P00 P01 P02	1							
	右前侧面车门玻璃导轨后段总成 FRONT DOOR GLASS RUN RAIL REAR SEGMENT ASSEMBLY, RH	6101220- P50	P50	1							
	左前侧面车门玻璃导轨后段总成 FRONT DOOR GLASS RUN RAIL REAR SEGMENT ASSEMBLY, LH	6101210- P00	P00 P01 P02	1							
	左前侧面车门玻璃导轨后段总成 FRONT DOOR GLASS RUN RAIL REAR SEGMENT ASSEMBLY, LH	6101210- P50	P50	1							

## 61- 02 车门护面 DOOR SHIELD

序号 S/N	零部件名称	零部件代码	适用车型	用量 QTY.	备注 REMARK
	DESCRIPTION	PARTCODE	VEHICLE MODEL		
	1 左前侧面车门内饰板总成 TRIM PANEL ASSEMBLY, FRONT DOOR, LH	6102100- P00	P00 P01 P02 P50 P51 P52	1	电动皮革 POWER, LEATHER
	1 左前侧面车门内饰板总成 TRIM PANEL ASSEMBLY, FRONT DOOR, LH	6102100- P00 - B1	P00 P01 P02 P50 P51 P52	1	手动 MANUAL
	1 左前侧面车门内饰板总成 TRIM PANEL ASSEMBLY, FRONT DOOR, LH	6102100- P00 - B2	P00 P01 P02 P50 P51 P52	1	电动面料 POWER, OUTSIDE MATERIAL
	1 右前侧面车门内饰板总成 TRIM PANEL ASSEMBLY, FRONT DOOR, RH	6102200- P00	P00 P01 P02 P50 P51 P52	1	电动皮革 POWER, LEATHER
	1 右前侧面车门内饰板总成 TRIM PANEL ASSEMBLY, FRONT DOOR, RH	6102200- P00 - B1	P00 P01 P02 P50 P51 P52	1	手动 MANUAL
	1 右前侧面车门内饰板总成 TRIM PANEL ASSEMBLY, FRONT DOOR, RH	6102200- P00 - B2	P00 P01 P02 P50 P51 P52	1	电动面料 POWER, OUTSIDE MATERIAL
	2 左外后视镜三角板 TRIANGLE TRIM PANEL, EXTERIOR REAR VIEW MIRROR, LH	6102015- P00	P00 P01 P02 P50 P51 P52	1	
	1 右外后视镜三角板 TRIANGLE TRIM PANEL, EXTERIOR REAR VIEW MIRROR, RH	6102014- P00	P00 P01 P02 P50 P51 P52	1	
	3 侧面车门内饰板卡扣 DOOR TRIM PANEL CLIP	6102016- P00	P00 P01 P02 P50 P51 P52	18	

## 61- 03 车门密封条 DOOR SEALING STRIPS

	序号 S/N	零部件名称 DESCRIPTION	零部件代码 PARTCODE	适用车型 VEHICLE MODEL	用 量 QTY	备注 REMARK	
	1	右前侧面车门玻璃总成 FRONT DOOR GLASS ASSEMBLY, RH	6103200- P00	P00 P01 P02 P50 P51 P52	1		
		左前侧面车门玻璃总成 FRONT DOOR GLASS ASSEMBLY, LH	6103100- P00	P00 P01 P02 P50 P51 P52	1		
	2	螺栓 BOLT (NONSTANDARD)	6104101- K00	P00 P01 P02 P50 P51 P52	4		非标
	3	侧面车门减震胶堵 DOOR DAMPING RUBBER BLOCK	6103011- P00	P00 P01 P02 P50 P51 P52	2		
	4	右前侧面车门外水切 FRONT DOOR EXTERIOR WEATHERSTRIP, RH	6107102- P00	P00 P01 P02 P50 P51 P52	1		
		左前侧面车门外水切 FRONT DOOR EXTERIOR WEATHERSTRIP, LH	6107101- P00	P00 P01 P02 P50 P51 P52	1		
	5	右前侧面车门内水切 FRONT DOOR INTERIOR WEATHERSTRIP, RH	6107104- P00	P00 P01 P02 P50 P51 P52	1		
		左前侧面车门内水切 FRONT DOOR INTERIOR WEATHERSTRIP, LH	6107103- P00	P00 P01 P02 P50 P51 P52	1		
	6	前侧面车门 U 型卡条 FRONT DOOR U- CLIP	6107105- P00	P00 P01 P02 P50 P51 P52	2		
	7	右前侧面车门密封胶条 FRONT DOOR SEALING STRIPS, RH	6107108- P00	P00 P01 P02 P50 P51 P52	1		
		左前侧面车门密封胶条 FRONT DOOR SEALING STRIPS, LH	6107107- P00	P00 P01 P02 P50 P51 P52	1		
8	密封条卡扣一 CLIP, NO. 1, SEALING STRIP	6107109- P00	P00 P01 P02 P50 P51 P52	64			
9	密封条卡扣二 CLIP, NO. 2, SEALING STRIP	6107111- P00	P00 P01 P02 P50 P51 P52	6			
10	右前侧面车门玻璃呢槽 FRONT DOOR GLASS RUN CHANNEL, RH	6107114- P00	P00 P01 P02 P50 P51 P52	1			
	左前侧面车门玻璃呢槽 FRONT DOOR GLASS RUN CHANNEL, LH	6107113- P00	P00 P01 P02 P50 P51 P52	1			
11	右流水槽胶条 SEALING STRIPS, ROOF RAIL, RH	6107116- P00	P00 P01 P02 P50 P51 P52	1			

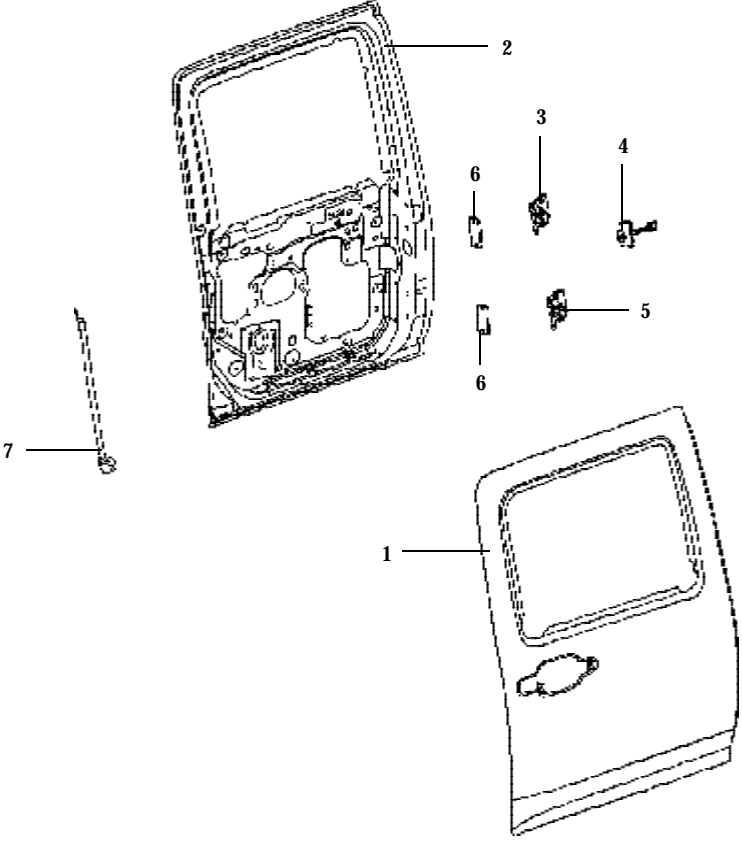
## 61- 03 车门密封条 DOOR SEALING STRIPS

序号 S/N	零部件名称 DESCRIPTION	零部件代码 PARTCODE	适用车型 VEHICLE MODEL	用 量 QTY.	备注 REMARK	序 号 S/N	零部件名称 DESCRIPTION	零部件代码 PARTCODE	适用车型 VEHICLE MODEL	用 量 QTY.	备注 REMARK
	左流水槽胶条 SEALING STRIPS, ROOF RAIL, LH	6107115- P00	P00 P01 P02 P50 P51 P52	1							



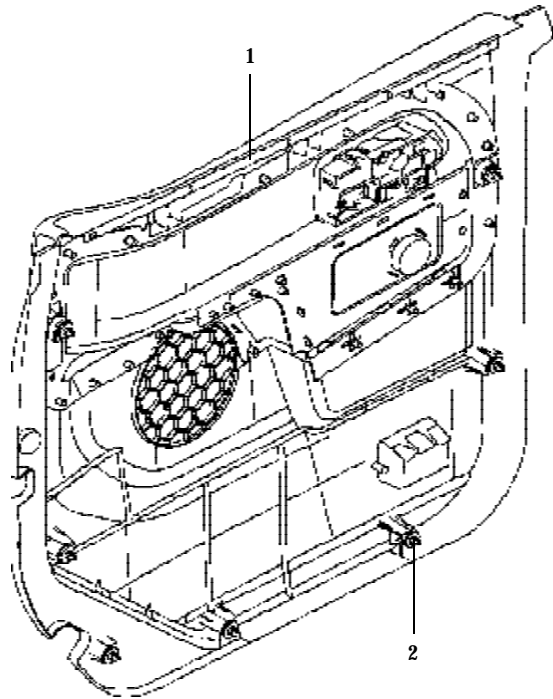
## 62- 01 车门骨架及盖板 DOOR SKELETON AND COVER PLATE

137

序号 S/N	零部件名称 DESCRIPTION	零部件代码 PARTCODE	适用车型 VEHICLE MODEL	用 量 QTY.	备注 REMARK
	左后侧面车门总成 REAR DOOR ASSEMBLY, LH	6201100- P00	P00 P01 P02 P50	1	
	右后侧面车门总成 REAR DOOR ASSEMBLY, RH	6201200- P00	P00 P01 P02 P50	1	
	1 右后侧面车门外板 OUTER PANEL, REAR DOOR, RH	6201102- P00	P00 P01 P02 P50	1	
	左后侧面车门外板 OUTER PANEL, REAR DOOR, LH	6201101- P00	P00 P01 P02 P50	1	
	2 右后侧面车门内板 INNER PANEL, REAR DOOR, RH	6201112- P00	P00 P01 P02 P50	1	
	左后侧面车门内板 INNER PANEL, REAR DOOR, LH	6201111- P00	P00 P01 P02 P50	1	
	3 右后侧面车门上铰链总成 UPPER HINGE ASSEMBLY, REAR DOOR ,RH	6206200- P00	P00 P01 P02 P50	1	
	左后侧面车门上铰链总成 UPPER HINGE ASSEMBLY, REAR DOOR ,LH	6206100- P00	P00 P01 P02 P50	1	
	4 后侧面车门限位器总成 REAR DOOR CHECK STOP ASSEMBLY	6209000- P00	P00 P01 P02 P50	1	
	5 右后侧面车门下铰链总成 LOWER HINGE ASSEMBLY, REAR DOOR ,RH	6206400- P00	P00 P01 P02 P50	1	
	左后侧面车门下铰链总成 LOWER HINGE ASSEMBLY, REAR DOOR ,LH	6206300- P00	P00 P01 P02 P50	1	
	6 后侧面车门铰链加强板 REINFORCEMENT, REAR DOOR HINGE	6201133- P00	P00 P01 P02 P50	4	
	7 右后侧面车门玻璃导轨总成 REAR DOOR GLASS RUN RAIL ASSEMBLY, RH	6201220- P00	P00 P01 P02 P50	1	
	左后侧面车门玻璃导轨总成 REAR DOOR GLASS RUN RAIL ASSEMBLY, LH	6201210- P00	P00 P01 P02 P50	1	

## 62- 02 车门护面 DOOR SHIELD

序号 S/N	零部件名称 DESCRIPTION	零部件代码 PARTCODE	适用车型 VEHICLE MODEL	用量 QTY.	备注 REMARK
1	左后侧面车门内饰板总成 TRIM PANEL ASSEMBLY, REAR DOOR, LH	6202100- P00	P00 P01 P02 P50 P51 P52	1	电动 皮革 POWER, LEATHER
	左后侧面车门内饰板总成 TRIM PANEL ASSEMBLY, REAR DOOR, LH	6202100- P00- B1	P00 P01 P02 P50 P51 P52	1	手动 MANUAL
	左后侧面车门内饰板总成 TRIM PANEL ASSEMBLY, REAR DOOR, LH	6202100- P00- B2	P00 P01 P02 P50 P51 P52	1	电动 面料 POWER, OUTSIDE MATERIAL
	右后侧面车门内饰板总成 TRIM PANEL ASSEMBLY, REAR DOOR, RH	6202200- P00	P00 P01 P02 P50 P51 P52	1	电动 皮革 POWER, LEATHER
	右后侧面车门内饰板总成 TRIM PANEL ASSEMBLY, REAR DOOR, RH	6202200- P00- B1	P00 P01 P02 P50 P51 P52	1	手动 MANUAL
	右后侧面车门内饰板总成 TRIM PANEL ASSEMBLY, REAR DOOR, RH	6202200- P00- B2	P00 P01 P02 P50 P51 P52	1	电动 面料 POWER, OUTSIDE MATERIAL
2	侧面车门内饰板卡扣 DOOR TRIM PANEL CLIP	6102016- P00	P00 P01 P02 P50 P51 P52	14	

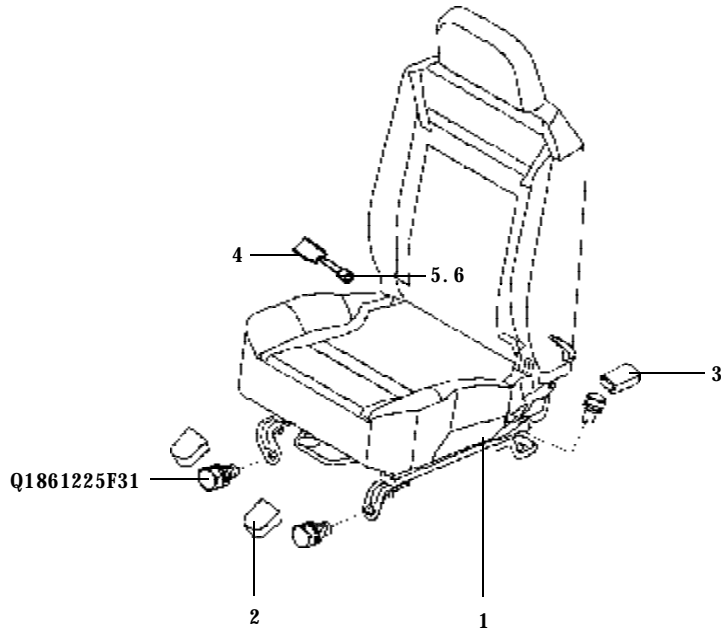


## 62- 03 车门密封条 DOOR SEALING STRIPS

	序号 S/N	零部件名称 DESCRIPTION	零部件代码 PARTCODE	适用车型 VEHICLE MODEL	用量 QTY.	备注 REMARK
	1	右后侧面车门玻璃总成 REAR DOOR GLASS ASSEMBLY, RH	6203200- P00	P00 P01 P02 P50	1	
		左后侧面车门玻璃总成 REAR DOOR GLASS ASSEMBLY, LH	6203100- P00	P00 P01 P02 P50	1	
		六角头螺栓、弹簧垫圈和平垫圈组合件 BOLT & WASHER KIT	Q1460616		4	
	2	侧面车门减震胶堵 DOOR DAMPING RUBBER BLOCK	6103011- P00	P00 P01 P02 P50	2	
	3	右后侧面车门外水切 REAR DOOR EXTERIOR WEATHERSTRIP, RH	6207102- P00	P00 P01 P02 P50	1	
		左后侧面车门外水切 REAR DOOR EXTERIOR WEATHERSTRIP, LH	6207101- P00	P00 P01 P02 P50	1	
	4	右后侧面车门内水切 REAR DOOR INTERIOR WEATHERSTRIP, RH	6207104- P00	P00 P01 P02 P50	1	
		左后侧面车门内水切 REAR DOOR INTERIOR WEATHERSTRIP, LH	6207103- P00	P00 P01 P02 P50	1	
	5	后侧面车门 U 型卡条 REAR DOOR U- CLIP	6207105- P00	P00 P01 P02 P50	2	
	6	右后侧面车门密封条 REAR DOOR SEALING STRIPS, RH	6207108- P00	P00 P01 P02 P50	1	
		左后侧面车门密封条 REAR DOOR SEALING STRIPS, LH	6207107- P00	P00 P01 P02 P50	1	
	7	密封条卡扣一 CLIP, NO. 1, SEALING STRIP	6107109- P00	P00 P01 P02 P50	56	
	8	密封条卡扣二 CLIP, NO. 2, SEALING STRIP	6107111- P00	P00 P01 P02 P50	2	
	9	右后侧面车门玻璃呢槽 REAR DOOR GLASS RUN CHANNEL, RH	6207114- P00	P00 P01 P02 P50	1	
		左后侧面车门玻璃呢槽 REAR DOOR GLASS RUN CHANNEL, LH	6207113- P00	P00 P01 P02 P50	1	

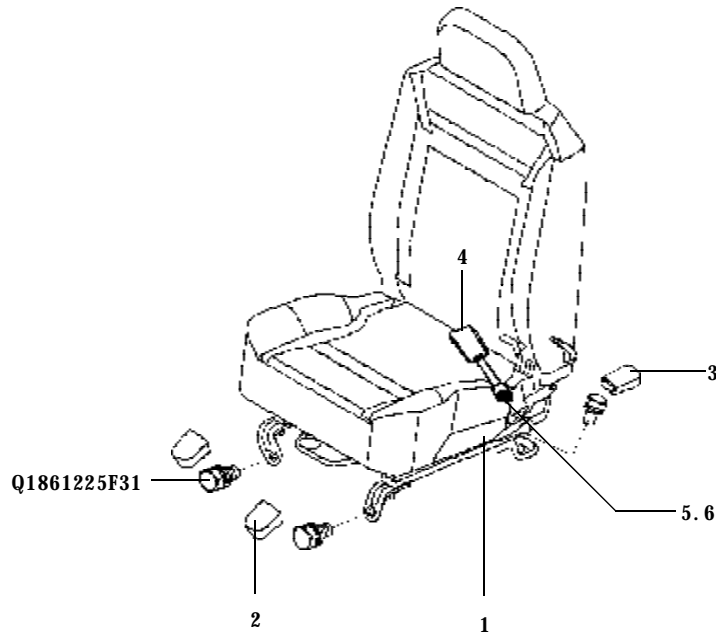
## 68- 01 驾驶员座椅总成 DRIVER SEAT ASSEMBLY

序号 S/N	零部件名称 DESCRIPTION	零部件代码 PARTCODE	适用车型 VEHICLE MODEL	用量 QTY.	备注 REMARK
1	司机座椅总成 DRIVER SEAT ASSEMBLY	6800100- P00	P00 P01 P02	1	
2	前座椅前盖板 FRONT COVER, FRONT SEAT	6800011- P00	P00 P01 P02 P50	2	
3	前座椅后盖板 REAR COVER, FRONT SEAT	6800012- P00	P00 P01 P02 P50	2	
4	左前安全带锁止器总成 BUCKLE ASSEMBLY, FRONT SEAT BELT, LH	5811300- P00	P00 P01 P02 P50	1	
5	锁止器固定螺栓和鞍形垫圈组合件 ANCHOR BOLT & CURVED WASHER KIT, BUCKLE	5811301- P00	P00 P01 P02 P50	1	
6	六角法兰面螺栓 - 加大系列 BOLT - OVERSIZE SERIES	Q1861225F31		4	M12 × 1.5



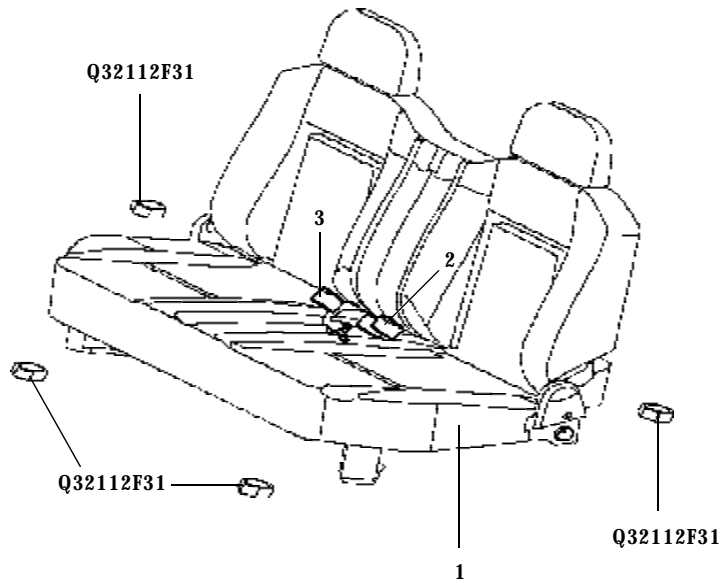
69- 01 副驾驶座椅总成 ASSISTANT DRIVER SEAT ASSEMBLY

序号 S/N	零部件名称 DESCRIPTION	零部件代码 PARTCODE	适用车型 VEHICLE MODEL	用量 QTY	备注 REMARK
1	副司机座椅总成 ASSISTANT DRIVER SEAT ASSEMBLY	6900100- P00	P00 P01 P02	1	
2	前座椅前盖板 FRONT COVER, FRONT SEAT	6800011- P00	P00 P01 P02 P50	2	
3	前座椅后盖板 REAR COVER, FRONT SEAT	6800012- P00	P00 P01 P02 P50	2	
4	右前安全带锁止器总成 BUCKLE ASSEMBLY, FRONT SEAT BELT, RH	5811400- P00	P00 P01 P02 P50	1	
5	锁止器固定螺栓和鞍形垫圈组合件 ANCHOR BOLT & CURVED WASHER KIT, BUCKLE	5811301- P00	P00 P01 P02 P50	1	
6	六角法兰面螺栓 - 加大系列 BOLT - OVERSIZE SERIES	Q1861225F31		4	M12 × 1.5

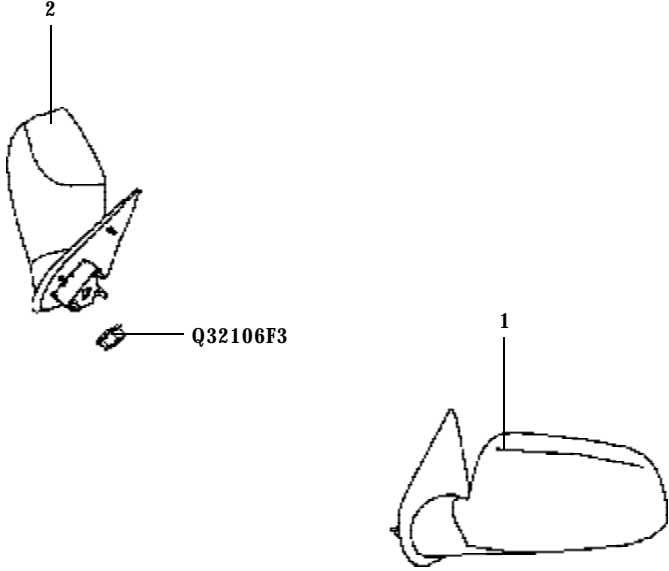


## 70- 01 后座总成 REAR SEAT ASSEMBLY

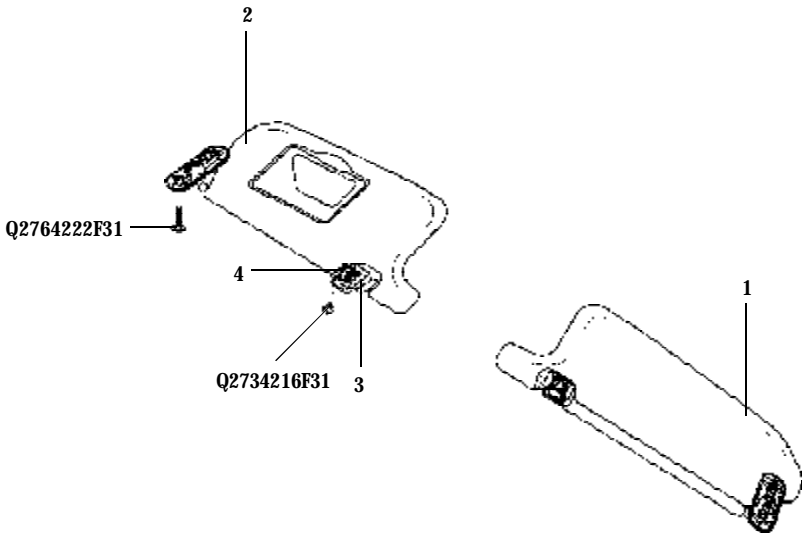
序号 S/N	零部件名称 DESCRIPTION	零部件代码 PARTCODE	适用车型 VEHICLE MODEL	用量 QTY.	备注 REMARK
1	后排座椅总成 REAR SEAT ASSEMBLY	7050100- P00	P00 P01 P02 P50	1	
2	后排安全带锁止器总成 BUCKLE ASSEMBLY, REAR SEAT BELT	5812200- P00	P00 P01 P02 P50	1	
3	后排中间安全带总成 REAR SEAT BELT ASSEMBLY (MIDDLE)	5812300- P00	P00 P01 P02 P50	1	
	六角法兰面自排屑螺母 NUT	Q32112F31		4	M12 × 1.5



## 82- 01 外后视镜 EXTERIOR REARVIEW MIRROR

	序号 S/N	零部件名称 DESCRIPTION	零部件代码 PARTCODE	适用车型 VEHICLE MODEL	用量 QTY.	备注 REMARK
	1	左外后视镜总成 EXTERIOR REARVIEW MIRROR ASSEMBLY, LH	8202100- P00	P00 P01 P02	1	左舵, 电动 LEFT HAND DRIVE, POWER
		左外后视镜总成 EXTERIOR REARVIEW MIRROR ASSEMBLY, LH	8202100- P00- B1	P00 P01 P02	1	手动可调 MANUAL, ADJUSTABLE
		左外后视镜总成 EXTERIOR REARVIEW MIRROR ASSEMBLY, LH	8202100- P50	P50 P51 P52	1	右舵, 电动 RIGHT HAND DRIVE, POWER
		左外后视镜总成 EXTERIOR REARVIEW MIRROR ASSEMBLY, LH	8202100- P50- B1	P50 P51 P52	1	手动可调 MANUAL, ADJUSTABLE
	2	右外后视镜总成 EXTERIOR REARVIEW MIRROR ASSEMBLY, RH	8202200- P00	P00 P01 P02	1	左舵, 电动 LEFT HAND DRIVE, POWER
		右外后视镜总成 EXTERIOR REARVIEW MIRROR ASSEMBLY, RH	8202200- P00- B1	P00 P01 P02	1	手动可调 MANUAL, ADJUSTABLE
		右外后视镜总成 EXTERIOR REARVIEW MIRROR ASSEMBLY, RH	8202200- P50	P50 P51 P52	1	右舵, 电动 RIGHT HAND DRIVE, POWER
		右外后视镜总成 EXTERIOR REARVIEW MIRROR ASSEMBLY, RH	8202200- P50- B1	P50 P51 P52	1	手动可调 MANUAL, ADJUSTABLE
		六角法兰面自排屑螺母 NUT	Q32106F3		6	

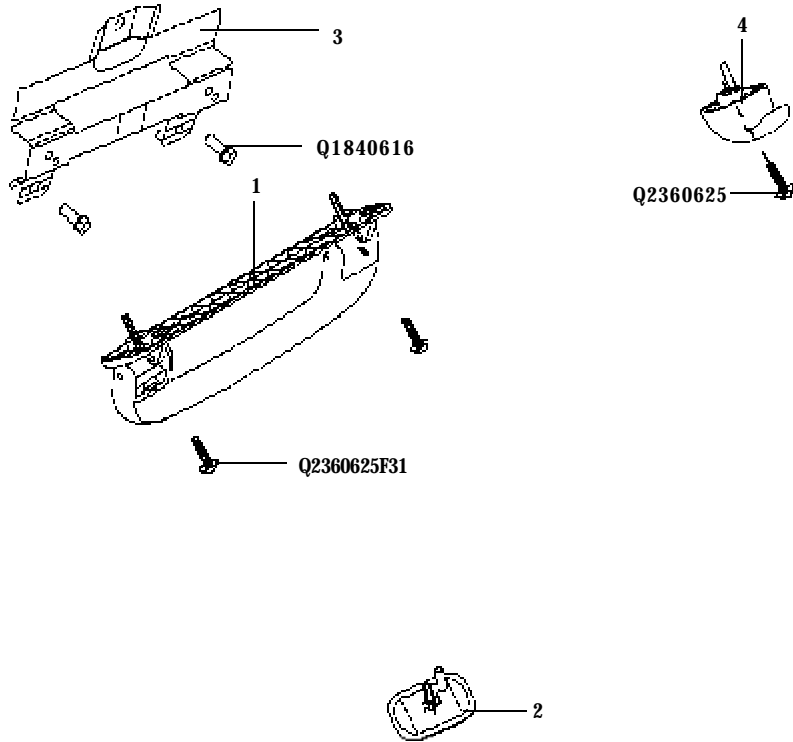
## 82- 02 遮阳板 SUN VISOR

	序号 S/N	零部件名称 DESCRIPTION	零部件代码 PARTCODE	适用车型 VEHICLE MODEL	用量 QTY.	备注 REMARK
	1	左遮阳板总成 SUN VISOR ASSEMBLY, LH	8204100- P00	P00 P01 P02	1	左舵, 无化妆镜 LEFT HAND DRIVE WITHOUT VANITY MIRROR
	1	左遮阳板总成 SUN VISOR ASSEMBLY, LH	8204100- P50	P50 P51 P52	1	右舵 RIGHT HAND DRIVE
	2	右遮阳板总成 SUN VISOR ASSEMBLY, RH	8204200- P00	P00 P01 P02	1	左舵 LEFT HAND DRIVE
	1	右遮阳板总成 SUN VISOR ASSEMBLY, RH	8204200- P50	P50 P51 P52	1	右舵, 无化妆镜 RIGHT HAND DRIVE WITHOUT VANITY MIRROR
	3	遮阳板固定支座 FIXING SEAT, SUN VISOR	8204011- P00	P00 P01 P02 P50 P51 P52	2	
	4	遮阳板固定支座铁卡子 CLIP, FIXING SEAT, SUN VISOR	8204012- P00	P00 P01 P02 P50 P51 P52	2	
		十字槽大半圆头自攻螺钉 SCREW	Q2734216F31		2	
		十字槽半沉头自攻螺钉 SCREW	Q2764222F31		4	



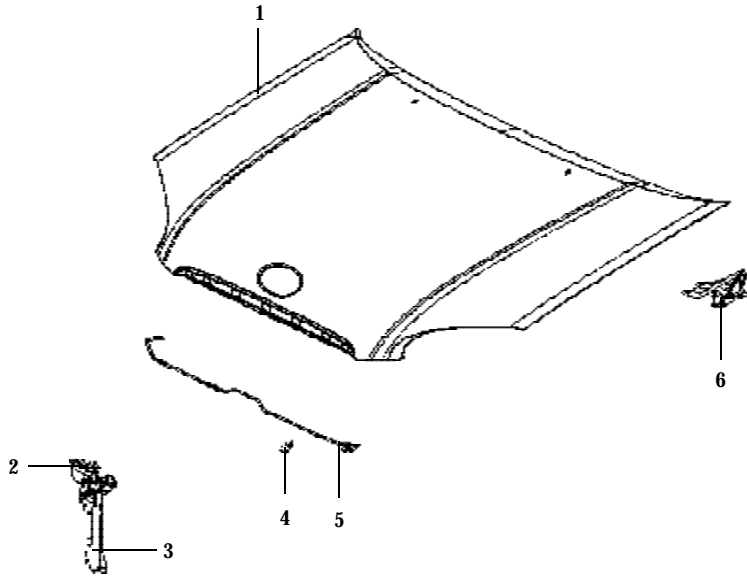
# 82- 03 拉手 HANDLE

序号 S/N	零部件名称 DESCRIPTION	零部件代码 PARTCODE	适用车型 VEHICLE MODEL	用量 QTY.	备注 REMARK
1	顶盖总成 ROOF HANDLE ASSEMBLY	8215100- P00	P00 P01 P02 P50 P51 P52	3	
2	驾驶员侧车顶拉手安装孔盖板 COVER PLATE, ROOF HANDLE MOUNTING HOLE	8215011- P00	P00 P01 P02 P50 P51 P52	2	
	十字槽盘头螺钉、弹垫和平垫组合件 SCREW & WASHER KIT	Q2360625F31	P00 P01 P02 P50 P51 P52	6	
3	顶盖拉手支架总成 BRACKET ASSEMBLY, ROOF HANDLE	8215200- P00	P00 P01 P02 P50 P51 P52	2	
4	顶盖衣帽钩 COAT & HAT HOOK, ROOF	8225011- P00	P00 P01 P02 P50 P51 P52	2	
	十字槽盘头螺钉、弹垫和平垫组合件 SCREW & WASHER KIT	Q2360625		2	
	六角头螺栓、弹簧垫圈和平垫圈组合件 BOLT & WASHER KIT	Q1840616		6	

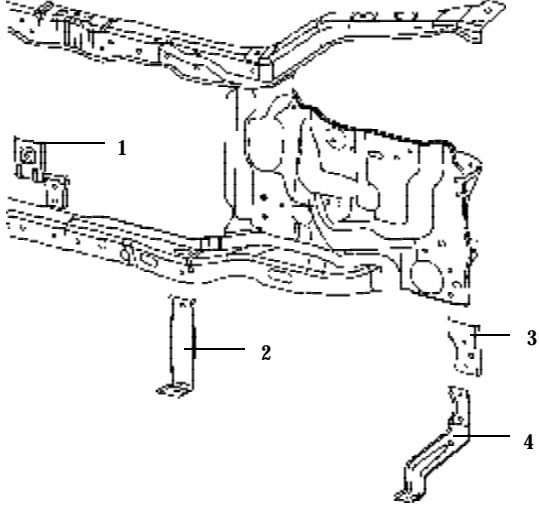


## 84- 01 发动机罩及锁 ENGINE HOOD AND LOCK

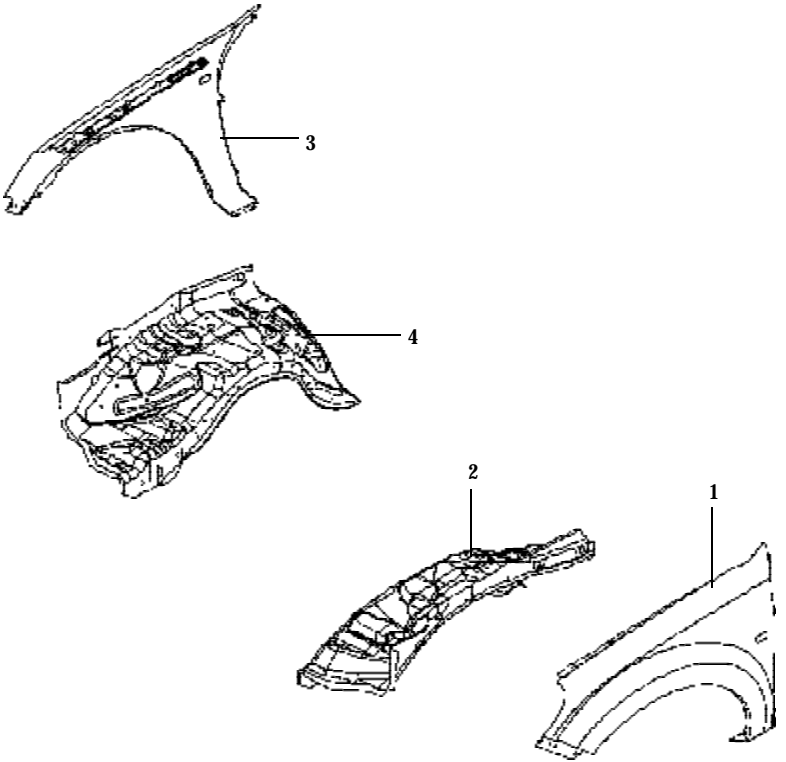
序号 S/N	零部件名称 DESCRIPTION	零部件代码 PARTCODE	适用车型 VEHICLE MODEL	用量 QTY.	备注 REMARK
1	发动机罩总成 ENGINE HOOD ASSEMBLY	8402000- P00	P00 P01 P02	1	
2	发动机罩锁总成 ENGINE HOOD LOCK ASSEMBLY	8402000- P50	P50	1	
3	发动机罩锁安装支架 MOUNTING BRACKET, ENGINE HOOD LOCK	8402501- P00	P00 P01 P02 P50	1	
4	发动机罩支撑杆卡子 CLIP, ENGINE HOOD STRUT ROD	8402630- P00	P00 P01 P02 P50	1	
5	发动机罩支撑杆总成 ENGINE HOOD STRUT ROD ASSEMBLY	8402610- P00	P00 P01 P02 P50	1	
6	发动机罩左铰链总成 ENGINE HOOD HINGE ASSEMBLY, LH	8402300- P00	P00 P01 P02 P50	1	
	发动机罩右铰链总成 ENGINE HOOD HINGE ASSEMBLY, RH	8402400- P00	P00 P01 P02 P50	1	



## 84- 02 前保险杠支架 FRONT BUMPER BRACKET

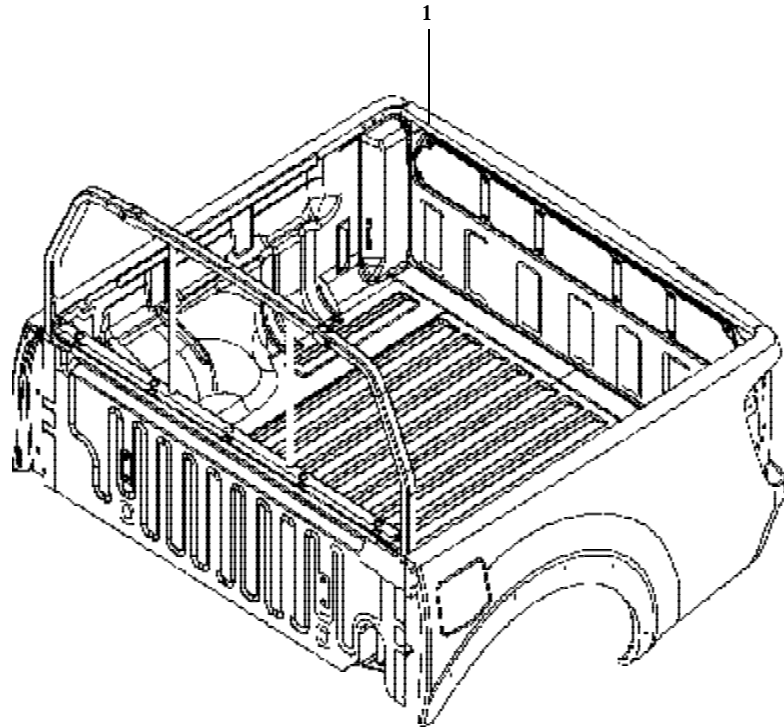
	序号 S/N	零部件名称 DESCRIPTION	零部件代码 PARTCODE	适用车型 VEHICLE MODEL	用量 QTY.	备注 REMARK
	1	前保险杠安装横梁中支架 MIDDLE BRACKET, MOUNTING CROSS MEMBER, FRONT BUMPER	8400512- P00	P00 P01 P02 P50 P51 P52	1	
	2	前保险杠中部左支架 MIDDLE LEFT BRACKET, FRONT BUMPER	8400523- P00	P00 P01 P02 P50 P51 P52	1	
		前保险杠中部右支架 MIDDLE RIGHT BRACKET, FRONT BUMPER	8400524- P00	P00 P01 P02 P50 P51 P52	1	
	3	前保险杠左支架 LEFT BRACKET, FRONT BUMPER	8400231- P00	P00 P01 P02 P50 P51 P52	1	
		前保险杠右支架 RIGHT BRACKET, FRONT BUMPER	8400232- P00	P00 P01 P02 P50 P51 P52	1	
	4	前保险杠左安装支架 LEFT MOUNTING BRACKET, FRONT BUMPER	8400521- P00	P00 P01 P02 P50 P51 P52	1	
		前保险杠右安装支架 RIGHT MOUNTING BRACKET, FRONT BUMPER	8400522- P00	P00 P01 P02 P50 P51 P52	1	

## 84- 03 前翼板 FRONT FENDER

S/N	序号 S/N	零部件名称 DESCRIPTION	零部件代码 PARTCODE	适用车型 VEHICLE MODEL	用量 QTY.	备注 REMARK
	1	左翼子板外板 FENDER, LH	8403101- P00	P00 P02 P50	1	
		左翼子板外板 FENDER, LH	8403101- P01	P01	1	
	2	左挡泥板 FENDER APRON, LH	8400305- P00	P00 P02 P50	1	
	3	右翼子板外板 FENDER, RH	8403102- P00	P00 P02 P50	1	
		右翼子板外板 FENDER, RH	8403102- P01	P01	1	
	4	右挡泥板 FENDER APRON, RH	8400306- P00	P00 P02 P50	1	

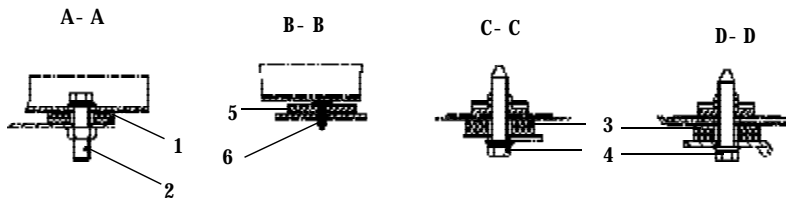
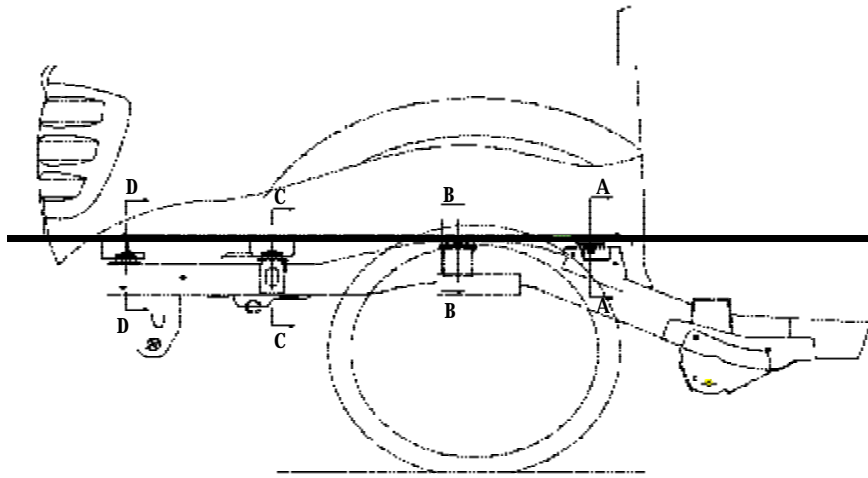
# 85- 01 车箱总成 CARGO BODY ASSEMBLY

序号 S/N	零部件名称 DESCRIPTION	零部件代码 PARTCODE	适用车型 VEHICLE MODEL	用量 QTY.	备注 REMARK
1	车箱总成 CARGO BODY ASSEMBLY	8500000- P00	P00 P02 P50 P52	1	
	车箱总成 CARGO BODY ASSEMBLY	8500000- P01	P01 P51	1	



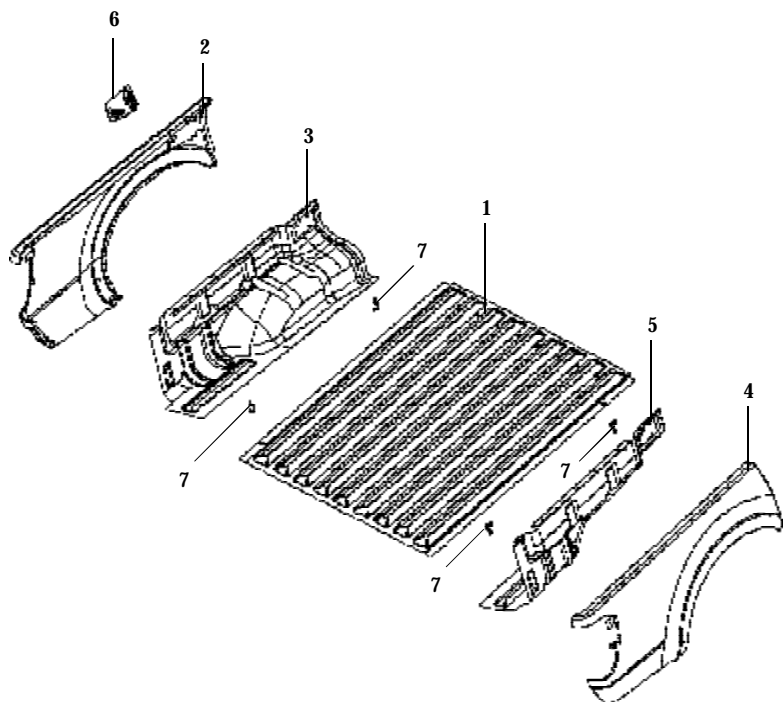
## 85- 02 车箱悬置胶垫总成 CARGO BODY MOUNTING INSULATOR

序 号 S/N	零部件名称 DESCRIPTION	零部件代码 PARTCODE	适用车型 VEHICLE MODEL	用 量 QTY.	备注 REMARK
1	车箱悬置垫块一 INSULATOR, NO. 1, CARGO BODY MOUNTING	8501016- P00	P00 P01 P02 P50 P51 P52	2	
2	车箱第一悬置螺栓 BOLT, CARGO BODY MOUNTING, NO. 1	8501014- P00	P00 P01 P02 P50 P51 P52	2	M12 × 1.25
3	车箱悬置垫块二 INSULATOR, NO. 2, CARGO BODY MOUNTING	8501017- P00	P00 P01 P02 P50 P51 P52	4	
4	车箱第二悬置螺栓 BOLT, CARGO BODY MOUNTING, NO. 2	8501015- P00	P00 P01 P02 P50 P51 P52	4	M12 × 1.25
5	车箱减震垫块 CUSHION, CARGO BODY	8501018- P00	P00 P01 P02 P50 P51 P52	3	
6	塑料按扣 SNAP FASTENER (PLASTIC)	8501019- P00	P00 P01 P02 P50 P51 P52	4	



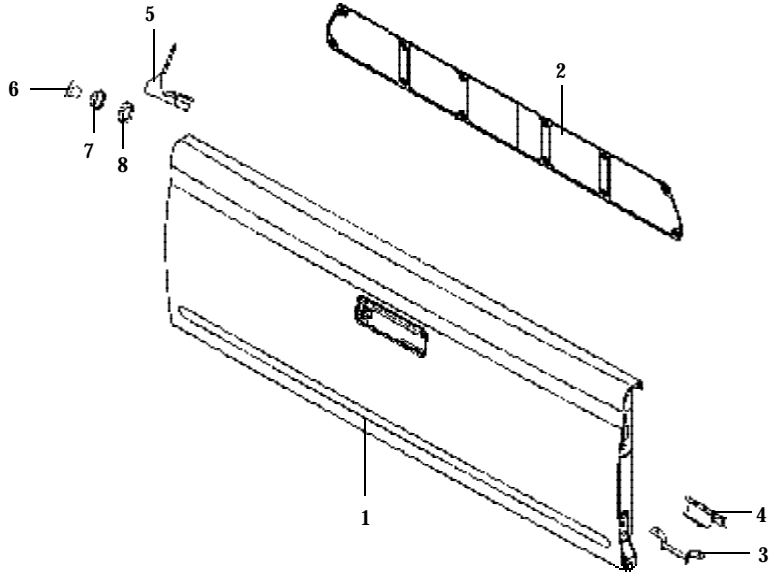
# 85- 03 车箱底板及边板 CARGO BODY CARGO FLOOR AND SIDE GATE

序号 S/N	零部件名称 DESCRIPTION	零部件代码 PARTCODE	适用车型 VEHICLE MODEL	用量 QTY.	备注 REMARK
1	车箱底板 CARGO BODY CARGO FLOOR	8501011- P00	P00 P02 P50 P52	1	
2	车箱左边板外板 OUTER PANEL, CARGO BODY SIDE GATE, LH	8502111- P00	P00 P02 P50 P52	1	
	车箱左边板外板 OUTER PANEL, CARGO BODY SIDE GATE, LH	8502111- P01	P01 P51	1	无轮眉安装孔 WITHOUT WHEEL OPENING MOULDING MOUNTING HOLE
3	车箱左边板内板 INNER PANEL, CARGO BODY SIDE GATE, LH	8502131- P00	P00 P02 P50 P52	1	
4	车箱右边板外板 OUTER PANEL, CARGO BODY SIDE GATE, RH	8502112- P00	P00 P02 P50 P52	1	
	车箱右边板外板 OUTER PANEL, CARGO BODY SIDE GATE, RH	8502112- P01	P01 P51	1	无轮眉安装孔 WITHOUT WHEEL OPENING MOULDING MOUNTING HOLE
5	车箱右边板内板 INNER PANEL, CARGO BODY SIDE GATE, RH	8502132- P00	P00 P02 P50 P52	1	
6	油箱门总成 FUEL- FILLER DOOR ASSEMBLY	8502500- P00	P00 P02 P50 P52	1	
7	货箱挂钩 HOOK, CARGO BODY	8502011- P00	P00 P02 P50 P52	1	



## 85- 04 车箱后板 CARGO BODY TAIL GATE

序	零部件名称 DESCRIPTION	零部件代码 PARTCODE	适用车型 VEHICLE MODEL	用 量 QTY.	备注 REMARK
1	车箱后板总成 CARGO BODY TAIL GATE ASSEMBLY	8503000- P00	P00 P01 P02 P50	1	
2	车箱后板盖板 COVER PLATE, CARGO BODY TAIL GATE	8503012- P00	P00 P01 P02 P50	1	
3	车箱后板中铰链活动页总成 MOVABLE PART ASSEMBLY, MIDDLE HINGE, CARGO BODY TAIL GATE	8503200- P00	P00 P01 P02 P50	1	
4	车箱后板中铰链固定页 FIXED PART, MIDDLE HINGE, CARGO BODY TAIL GATE	8503204- P00	P00 P01 P02 P50	1	
5	车箱后板左铰链 LEFT HINGE, CARGO BODY TAIL GATE	8503301- P00	P00 P01 P02 P50	1	
	车箱后门右铰链 RIGHT HINGE, CARGO BODY TAIL GATE	8503302- P00	P00 P01 P02 P50	1	
6	车栓连接外套 BOLTED SLEEVE (OUTER)	8503303- P00	P00 P01 P02 P50	2	
7	螺栓连接内套 BOLTED SLEEVE (INNER)	8503304- P00	P00 P01 P02 P50	2	
8	尼龙护套 PROTECTING SLEEVE (NYLON)	8503305- P00	P00 P01 P02 P50	2	



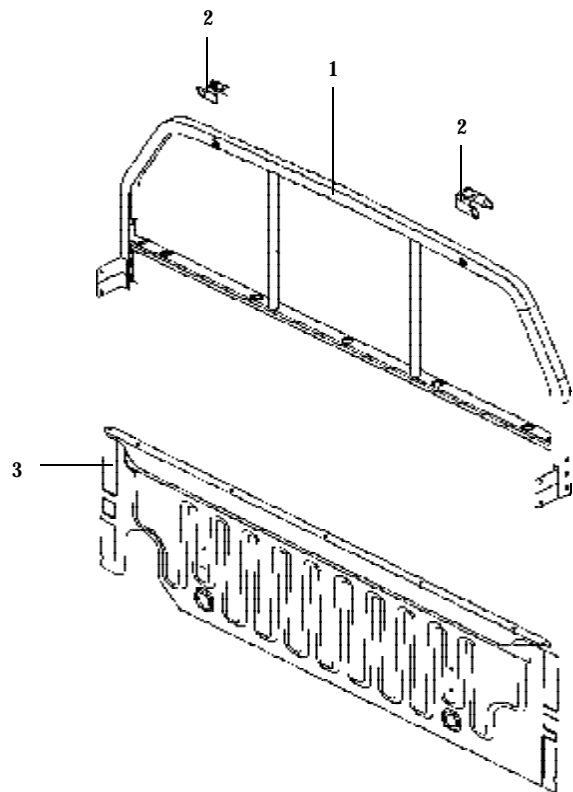


# 85- 05 车箱板锁 CARGO BODY LOCK

	序号 S/N	零部件名称 DESCRIPTION	零部件代码 PARTCODE	适用车型 VEHICLE MODEL	用 量 QTY.	备注 REMARK
		车箱后板锁总成 CARGO BODY LOCK ASSEMBLY	8505000- P00	P00 P01 P02 P50	1	电镀 ELECTROPLATE
		车箱后板锁总成 CARGO BODY LOCK ASSEMBLY	8505000- P00- B1	P00 P01 P02 P50	1	
	1	车箱限位器连接板总成 CONNECTING PLATE ASSEMBLY, LIMITING DEVICE, CARGO BODY	8505400- P00	P00 P01 P02 P50	1	
	2	车箱限位器固定支架总成 FIXING BRACKET ASSEMBLY, LIMITING DEVICE, CARGO BODY	8505500- P00	P00 P01 P02 P50	1	
	3	车箱外把手总成 OUTER HANDLE ASSEMBLY, CARGO BODY	8505100- P00	P00 P01 P02 P50	1	
	4	锁体总成 LOCK BLOCK ASSEMBLY	HYK2- 8505300	P00 P01 P02 P50	2	
	5	车箱后板右锁环总成 RIGHT STRIKER ASSEMBLY, CARGO BODY TAIL GATE	8505800- P00	P00 P01 P02 P50	1	
		车箱后板左锁环总成 LEFT STRIKER ASSEMBLY, CARGO BODY TAIL GATE	8505700- P00	P00 P01 P02 P50	1	
		六角法兰面螺栓 BOLT	Q1840612F3		2	
		十字槽半沉头螺钉 SCREW	Q2560816F3		4	

## 85- 06 车箱护栏 CARGO BODY FENDER

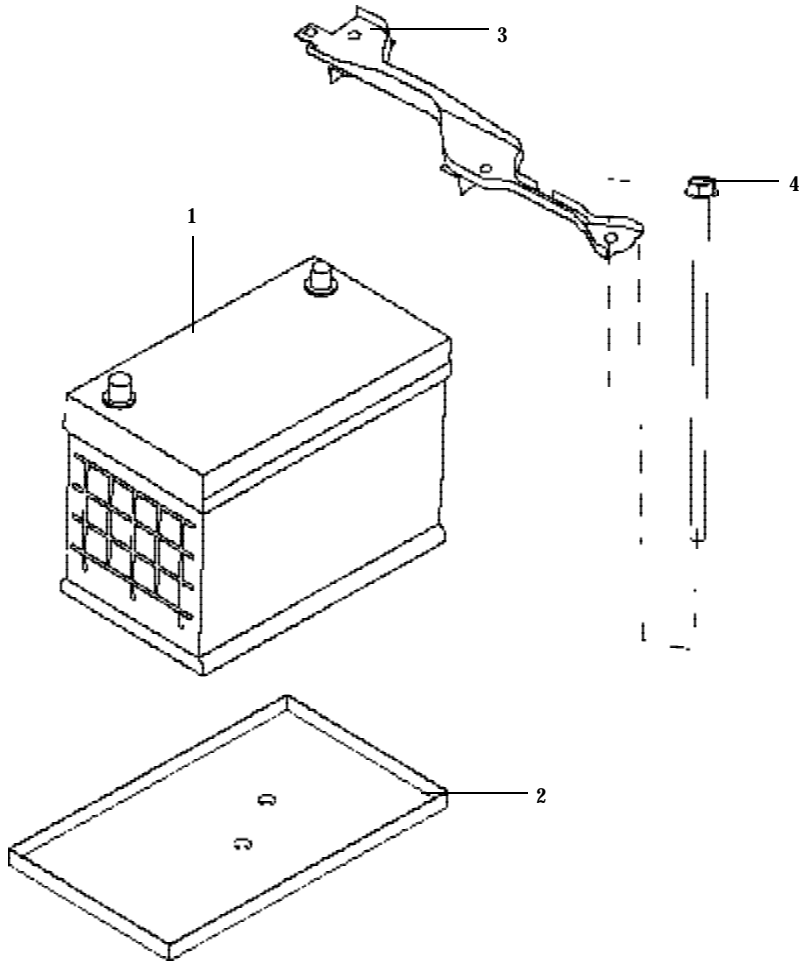
序号 S/N	零部件名称 DESCRIPTION	零部件代码 PARTCODE	适用车型 VEHICLE MODEL	用量 QTY.	备注 REMARK
1	车箱护栏总成 CARGO BODY FENDER ASSEMBLY	8509000- P00	P00 P01 P02 P50	1	
2	车箱护栏挂钩 HOOK, CARGO BODY FENDER	8509012- P00	P00 P01 P02 P50	2	
3	车箱前板总成 FRONT BOARD ASSEMBLY, CARGO BODY	8504000- P00	P00 P01 P02 P50	1	



	序号 S/N	零部件名称 DESCRIPTION	零部件代码 PARTCODE	适用车型 VEHICLE MODEL	用量 QTY.	备注 REMARK
	1	四驱开关总成 SWITCH ASSEMBLY, 4WD	3777100- P02	P02	1	
	2	ECU ECU	3612100- E06	P00 P02	1	
	3	前桥电动离合控制器 ECU, ELECTRIC CLUTCH, FRONT AXLE	3777200- P02	P02	1	
	4	前桥电动离合控制器支架总成 BRACKET ASSEMBLY, ECU, ELECTRIC CLUTCH, FRONT AXLE	3777201- P02	P02	1	
	5	切削槽螺栓 BOLT	6104101- K00	P02	1	
	6	里程表传感器总成 SPEEDOMETER SENSOR ASSEMBLY	3802100- K00	P00 P02	1	
		六角头螺栓、弹簧垫圈和平垫圈组合件 BOLT & WASHER KIT	Q1460625		4	

## 37- 01 蓄电池 BATTERY

序号 S/N	零部件名称 DESCRIPTION	零部件代码 PARTCODE	适用车型 VEHICLE MODEL	用量 QTY.	备注 REMARK
1	蓄电池总成 BATTERY ASSEMBLY	3703100- P00	P00 P01 P02 P50 P51 P52	1	
2	蓄电池托板 BATTERY BRACKET	3703102- P00	P00 P01 P02 P50 P51 P52	1	
3	蓄电池压板 PRESSURE PLATE	3703101- P00	P00 P01 P02 P50 P51 P52	1	
4	蓄电池紧固螺栓 BATTERY MOUNTING BOLT 六角法兰面螺钉 SCREW	3703103- P00  Q1840820FD	P00 P01 P02 P50 P51  P52	2  1	

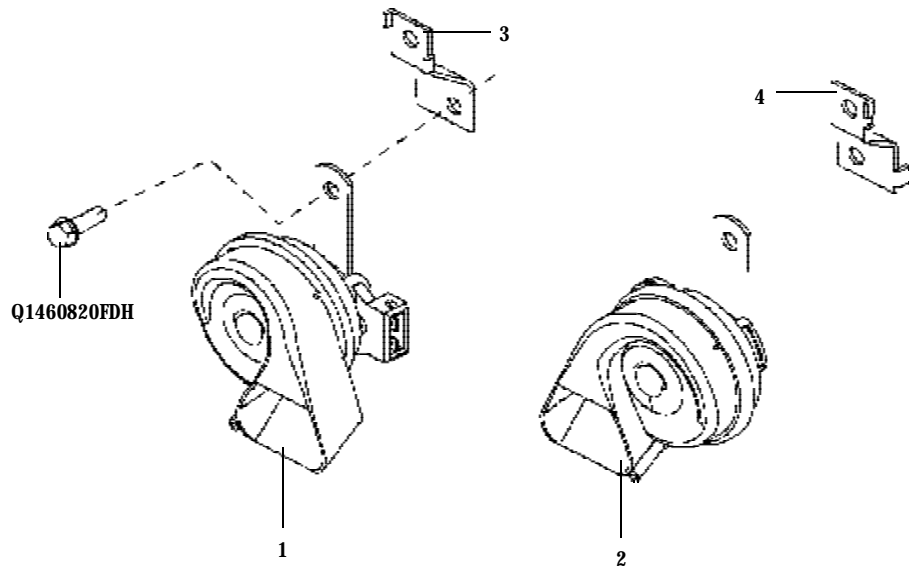


### 37- 02 点火开关 IGNITION SWITCH

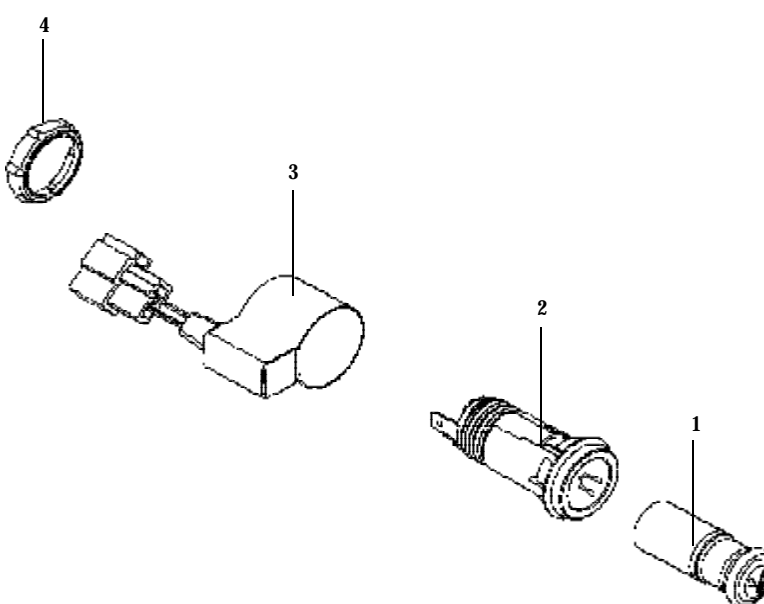
	序 号 S/N	零 部 件 名 称 DESCRIPTION	零 部 件 代 码 PARTCODE	适 用 车 型 VEHICLE MODEL	用 量 QTY.	备 注 REMARK
	1	点火开关总成 IGNITION SWITCH ASSEMBLY	3704100- P00	P00 P02	1	
	2	固定螺栓 BOLT	3704101- P00	P00 P02	2	
	3	点火开关壳体 IGNITION SWITCH HOUSING	3704120- P00	P00 p02	1	
	4	点火开关锁芯 LOCK CYLINDER ASSEMBLY,IGNITION SWITCH	3704110- P00	P00 P02	1	
	5	钥匙 KEY	3704140- P00	P00 P02	2	
	6	中央门锁遥控器 REMOTE CONTROLLER,CENTRAL LOCKING MECHANISM	3787300- K00- C1	P00 P02	2	与钥匙组装 WITH KEY
	6	壳体底座 SEAT, HOUSING	3704130- P00	P00 P02	1	不可调式方向机杆 NONADJUSTABLE STEERING COLUMN

## 37- 03 电喇叭 ELECTRIC HORN

序号 S/N	零部件名称 DESCRIPTION	零部件代码 PARTCODE	适用车型 VEHICLE MODEL	用量 QTY.	备注 REMARK
1	高音电喇叭总成 HIGH TONE ELECTRIC HORN	3721100- P00	P00 P01 P02 P50 P51 P52	1	
2	低音电喇叭总成 LOW TONE ELECTRIC HORN	3721200- P00	P00 P01 P02 P50 P51 P52	1	
3	左高音电喇叭支架总成 HIGH TONE ELECTRIC HORN BRACKET ASSEMBLY, LH	3721130- K00- B1	P00 P01 P02 P50 P51 P52	1	
4	右低音电喇叭支架总成 LOW TONE ELECTRIC HORN BRACKET ASSEMBLY, RH	3721140- K00- B1	P00 P01 P02 P50 P51 P52	1	
	六角头螺栓、弹簧垫圈和平垫圈组合件 BOLT & WASHER KIT	Q1460820FDH		4	

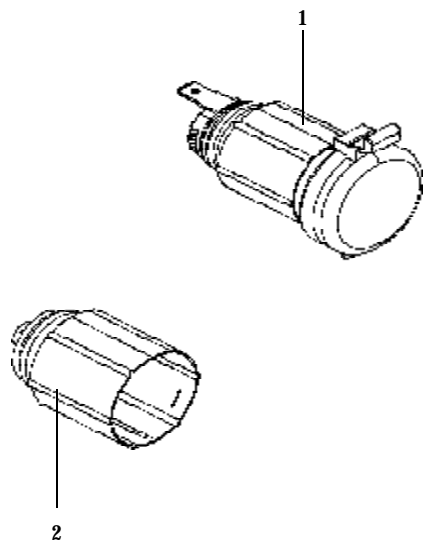


### 37- 04 点烟器 CIGAR LIGHTER

	序号 S/N	零部件名称 DESCRIPTION	零部件代码 PARTCODE	适用车型 VEHICLE MODEL	用量 QTY.	备注 REMARK
		点烟器总成 CIGAR LIGHTER ASSEMBLY	3725100- K00	P00 P02	1	
	1	点烟器 CIGAR LIGHTER	3725110- K00	P00 P02	1	
	2	点烟器座总成 CIGAR LIGHTER SEAT ASSEMBLY	3725120- K00	P00 P02	1	
	3	点烟器搭铁护圈 GUARD RING, CIGAR LIGHTER	3725101- K00	P00 P02	1	
	4	点烟器固定卡环 SNAP RING, CIGAR LIGHTER	3725102- K00	P00 P02	1	

## 37- 05 挂车供电插座 TRAILER CABLE SOCKET

序号 S/N	零部件名称 DESCRIPTION	零部件代码 PARTCODE	适用车型 VEHICLE MODEL	用量 QTY.	备注 REMARK
1	前电源插座总成 FRONT MAINS OUTLET ASSEMBLY	3730100- K00	P00 P02	1	
2	前电源固定卡环总成 SNAP RING ASSEMBLY.FRONT POWER SUPPLY	3730110- K00	P00 P02	1	





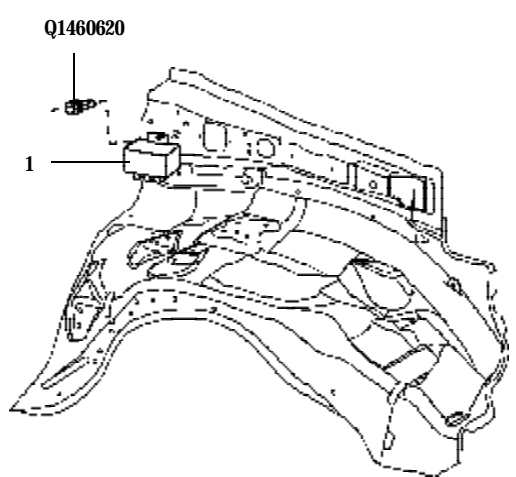
### 37- 06 门窗升降器开关及面板 WINDOW REGULATOR SWITCH AND PANEL

	序号 S/N	零部件名称 DESCRIPTION	零部件代码 PARTCODE	适用车型 VEHICLE MODEL	用 量 QTY.	备注 REMARK
	1	左前侧面车门门窗开关总成 FRONT WINDOW REGULATOR SWITCH ASSEMBLY, LH	3746100- P00	P00 P01 P02	1	带面板 WITH PANEL
	2	左前侧面车门门窗开关总成 FRONT WINDOW REGULATOR SWITCH ASSEMBLY, LH	3746100- K00	P00 P01 P02	1	
	3	左前侧面车门门窗开关面板 PANEL, FRONT WINDOW REGULATOR SWITCH, LH	3746101- P00	P00 P01 P02	1	
	4	前侧面车门门窗开关支架 BRACKET, FRONT WINDOW REGULATOR SWITCH	3746102- P00	P00 P01 P02	2	
	5	左后侧面车门门窗开关总成 REAR WINDOW REGULATOR SWITCH ASSEMBLY, LH	3746300- P00	P00 P01 P02	1	带面板 WITH PANEL
	6	左后侧面车门门窗开关总成 REAR WINDOW REGULATOR SWITCH ASSEMBLY, LH	3746300- K00	P00 P01 P02	1	
	7	左后侧面车门门窗开关面板 PANEL, REAR WINDOW REGULATOR SWITCH, LH	3746303- P00	P00 P01 P02	1	
	8	左后侧面车门门窗开关支架 BRACKET, REAR WINDOW REGULATOR SWITCH, LH	3746301- P00	P00 P01 P02	1	
	9	右前门窗开关总成 FRONT WINDOW REGULATOR SWITCH ASSEMBLY, RH	3746200- P00	P00 P01 P02	1	带面板 WITH PANEL
	10	右前侧面车门门窗开关总成 FRONT WINDOW REGULATOR SWITCH ASSEMBLY, RH	3746200- K00	P00 P01 P02	1	
	11	右前侧面车门门窗开关面板 PANEL, FRONT WINDOW REGULATOR SWITCH, RH	3746201- P00	P00 P01 P02	1	
	12	右后侧面车门门窗开关总成 REAR WINDOW REGULATOR SWITCH ASSEMBLY, RH	3746400- P00	P00 P01 P02	1	带面板 WITH PANEL
	13	右后侧面车门门窗开关总成 REAR WINDOW REGULATOR SWITCH ASSEMBLY, RH	3746400- K00	P00 P01 P02	1	
	14	右后侧面车门门窗开关面板 PANEL, REAR WINDOW REGULATOR SWITCH, RH	3746304- P00	P00 P01 P02	1	
	15	右后侧面车门门窗开关支架 BRACKET, REAR WINDOW REGULATOR SWITCH, RH	3746302- P00	P00 P01 P02	1	
	16	电动外后视镜开关总成 EXTERIOR POWER REAR VIEW MIRROR SWITCH	3782100- K00	P00 P01 P02	1	

## 37- 06 门窗升降器开关及面板 WINDOW REGULATOR SWITCH AND PANEL

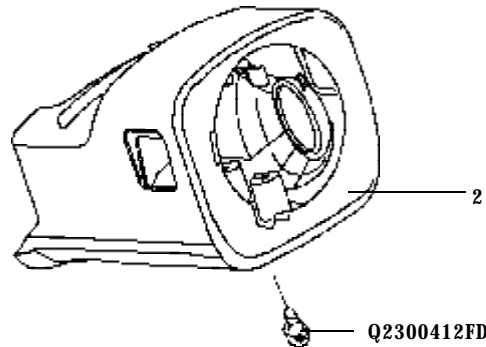
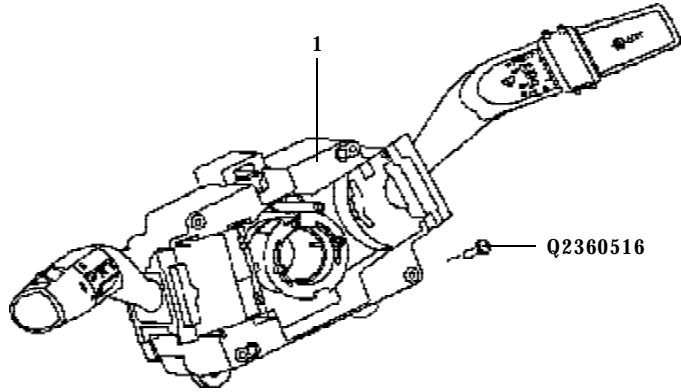
序号 S/N	零部件名称 DESCRIPTION	零部件代码 PARTCODE	适用车型 VEHICLE MODEL	用量 QTY.	备注 REMARK	序号 S/N	零部件名称 DESCRIPTION	零部件代码 PARTCODE	适用车型 VEHICLE MODEL	用量 QTY.	备注 REMARK
	十字槽大半圆头自攻螺钉 SCREW	Q2734813F31		14							

### 37- 07 电预热塞 GLOW PLUG

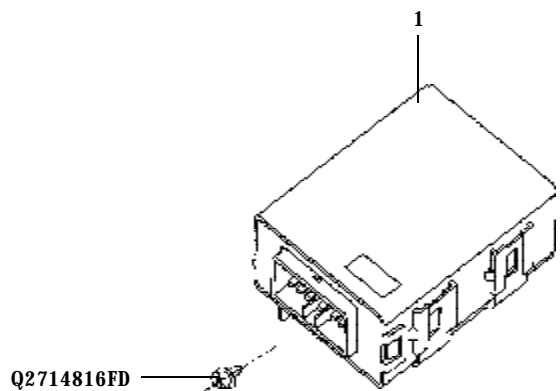
	序号 S/N	零部件名称 DESCRIPTION	零部件代码 PARTCODE	适用车型 VEHICLE MODEL	用 量 QTY.	备注 REMARK
	1	电热塞控制器 GLOW CONTROLLER	3770200- E06	P00 P01 P02 P50 P51 P52	1	
		六角头螺栓、弹簧垫圈和平垫圈组合件 BOLT & WASHER KIT	Q1460620		1	

## 37- 08 组合开关 COMBINATION SWITCH

序号 S/N	零部件名称 DESCRIPTION	零部件代码 PARTCODE	适用车型 VEHICLE MODEL	用量 QTY.	备注 REMARK
1	组合开关总成 COMBINATION SWITCH ASSEMBLY	3774100- P00	P00 P01 P02	1	
	组合开关总成 COMBINATION SWITCH ASSEMBLY	3774100- P00- B1	P00 P01 P02	1	气囊车 VEHICLE WITH AIR BAG
2	组合开关面罩总成 COMBINATION SWITCH COVER ASSEMBLY	3774200- P00	P00 P02	1	
	十字槽盘头螺钉和平垫圈组合件 SCREW & WASHER KIT	Q2300412FD		3	
	十字槽盘头螺钉和弹簧垫圈、平垫圈组合件 SCREW & WASHER KIT	Q2360516FD		2	

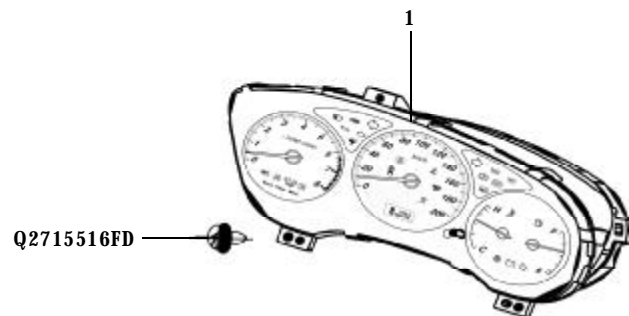


序号 S/N	零部件名称 DESCRIPTION	零部件代码 PARTCODE	适用车型 VEHICLE MODEL	用量 QTY.	备注 REMARK
1	中央门锁控制器 CONTROL UNIT ,CENTRAL LOCKING MECHANISM 十字槽大半圆头自攻螺钉 SCREW	3787100- P00  Q2734816FD	P00 P01 P02	1  2	

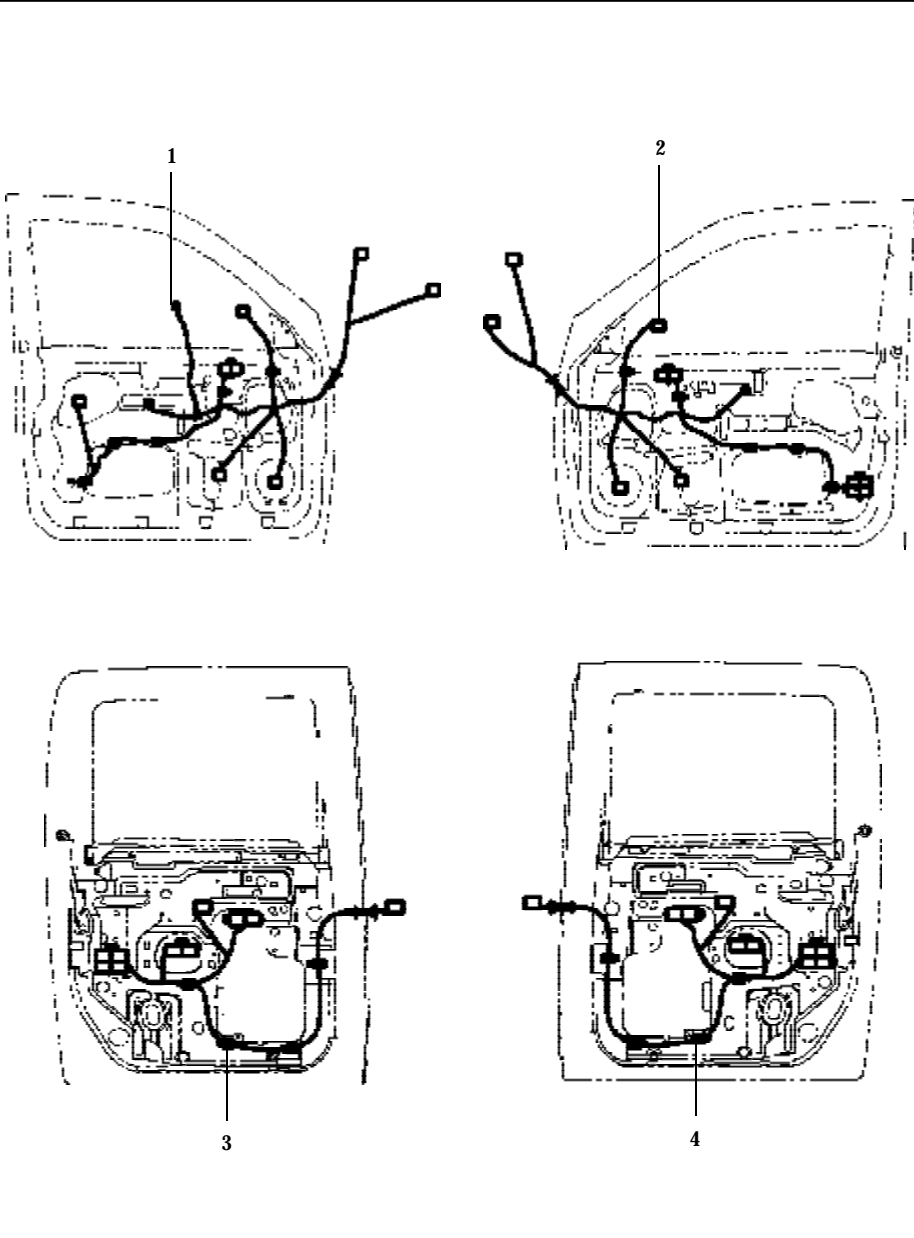


## 38- 01 组合仪表 COMBINATION INSTRUMENT

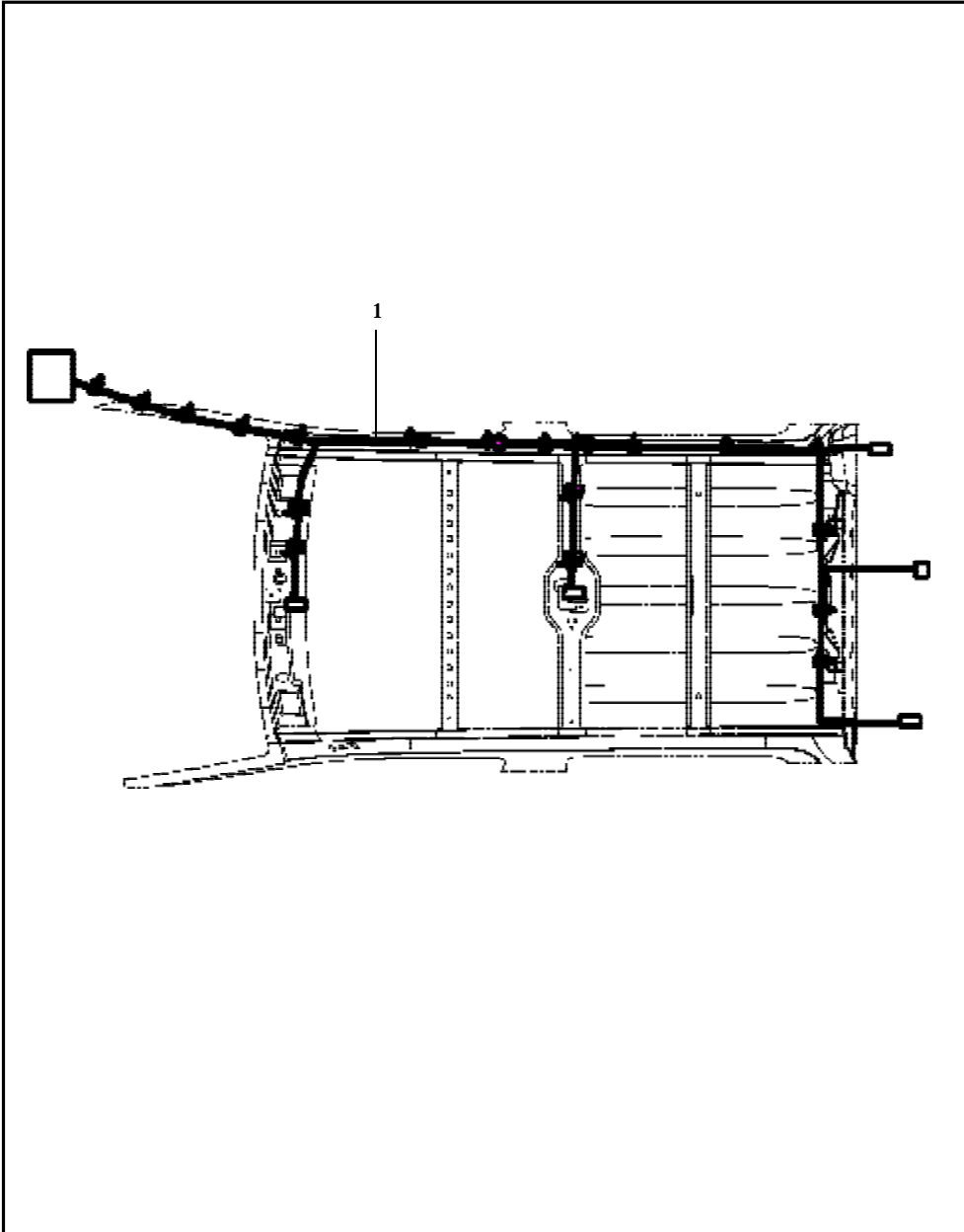
序号 S/N	零部件名称 DESCRIPTION	零部件代码 PARTCODE	适用车型 VEHICLE MODEL	用量 QTY.	备注 REMARK
1	组合仪表总成 COMBINATION INSTRUMENT ASSEMBLY	3820100- P00	P00 P02	1	
	十字槽盘头自攻螺钉 SCREW	Q2715516FD		3	



## 40- 01 车身线束 BODY WIRING HARNESS

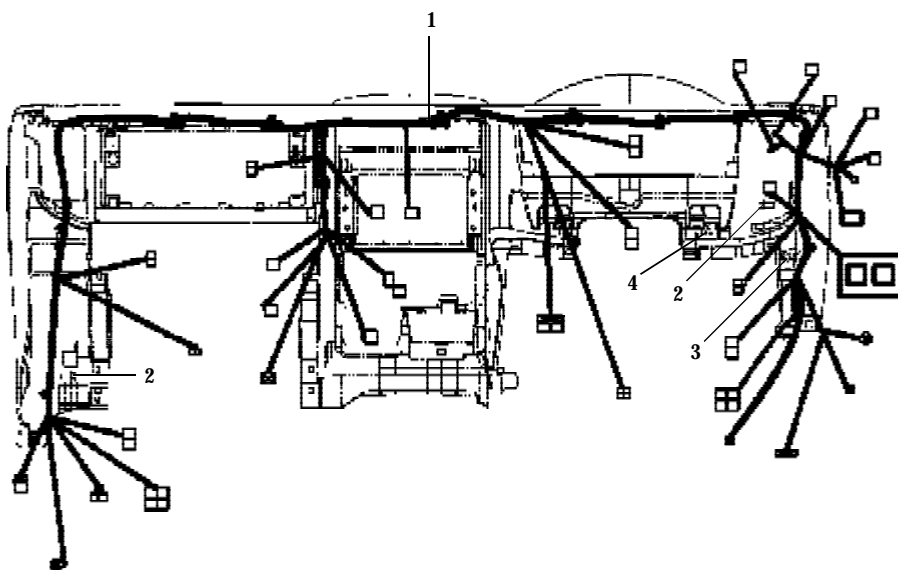
	序号 S/N	零部件名称 DESCRIPTION	零部件代码 PARTCODE	适用车型 VEHICLE MODEL	用 量 QTY.	备 注 REMARK
	1	左前侧面车门线束总成 FRONT DOOR WIRING HARNESS ASSEMBLY, LH	4002010- P00	P00 P02	1	
	2	右前侧面车门线束总成 FRONT DOOR WIRING HARNESS ASSEMBLY, RH	4002020- P00	P00 P02	1	
	3	左后侧面车门线束总成 REAR DOOR WIRING HARNESS ASSEMBLY, LH	4002030- P00	P00 P02	1	
	4	右后侧面车门线束总成 REAR DOOR WIRING HARNESS ASSEMBLY, RH	4002040- P00	P00 P02	1	

## 40- 02 车身线束 BODY WIRING HARNESS

	序号 S/N	零部件名称 DESCRIPTION	零部件代码 PARTCODE	适用车型 VEHICLE MODEL	用量 QTY.	备注 REMARK
	1	顶篷前线束总成 FRONT WIRING HARNESS ASSEMBLY, ROOF	4002050- P00	P00 P02	1	

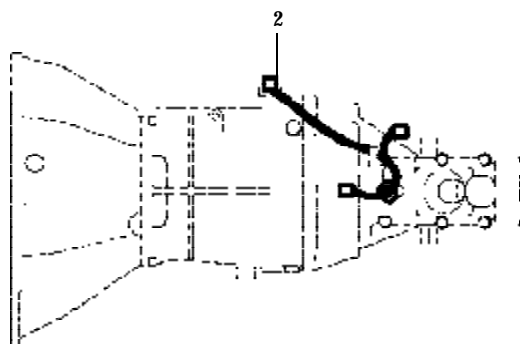
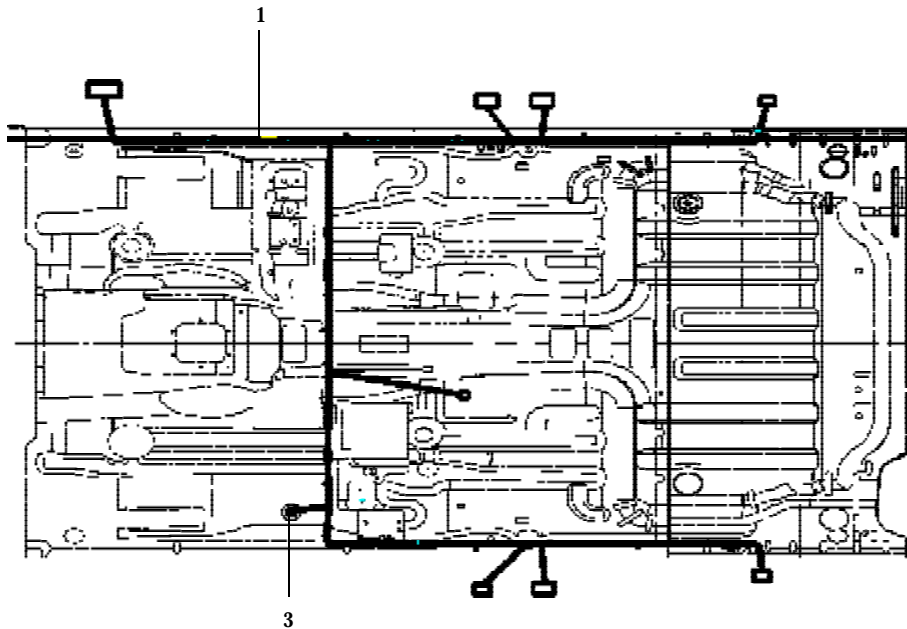


序号 S/N	零部件名称 DESCRIPTION	零部件代码 PARTCODE	适用车型 VEHICLE MODEL	用量 QTY.	备注 REMARK
1	仪表板及控制台线束总成 INSTRUMENT PANEL AND CONSOLE HARNESS ASSEMBLY	4003010- P00	P00 P01 P02	1	
2	搭铁螺栓 GROUND BOLT	4011011- K00	P00 P02	2	
3	十字槽盘头自攻螺钉 SCREW	Q2734816		1	
4	十字槽盘头螺钉 SCREW	Q2140612FD		1	

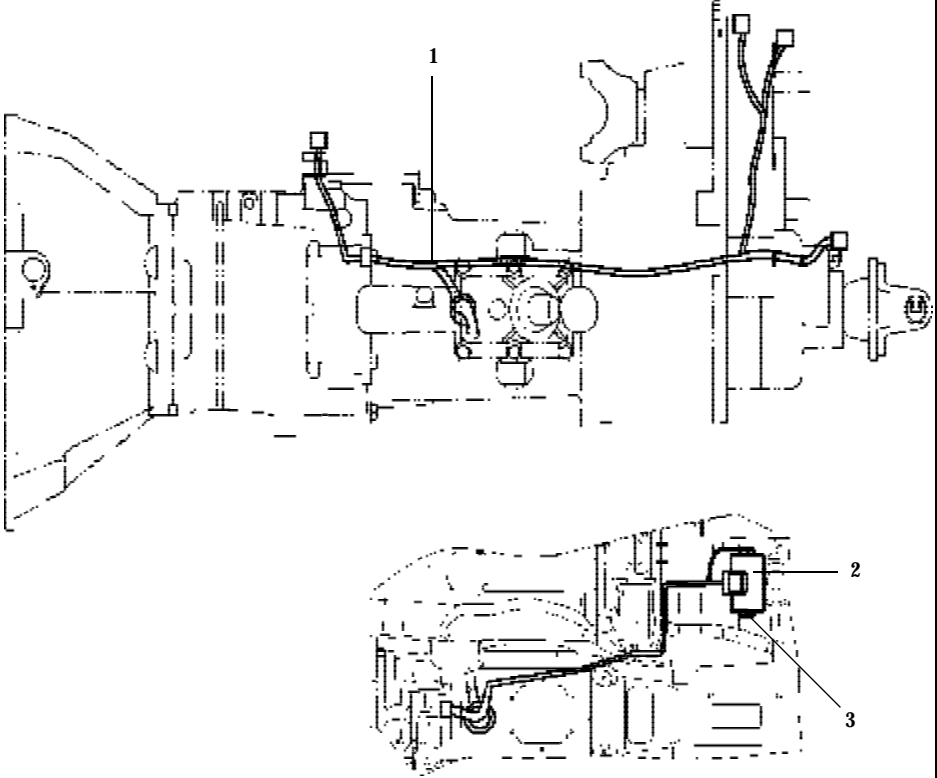


## 40- 04 座舱线束 PASSENGER COMPARTMENT WIRING HARNESS

序号 S/N	零部件名称 DESCRIPTION	零部件代码 PARTCODE	适用车型 VEHICLE MODEL	用量 QTY.	备注 REMARK
1	座舱线束总成 PASSENGER COMPARTMENT WIRING HARNESS ASSEMBLY	4004010- P00	P00 P02	1	
2	变速箱线束总成 WIRING HARNESS ASSEMBLY, TRANSMISSION	4004020- P00	P00 P02	1	
3	搭铁螺栓 GROUND BOLT	4011011- K00	P00 P02	1	

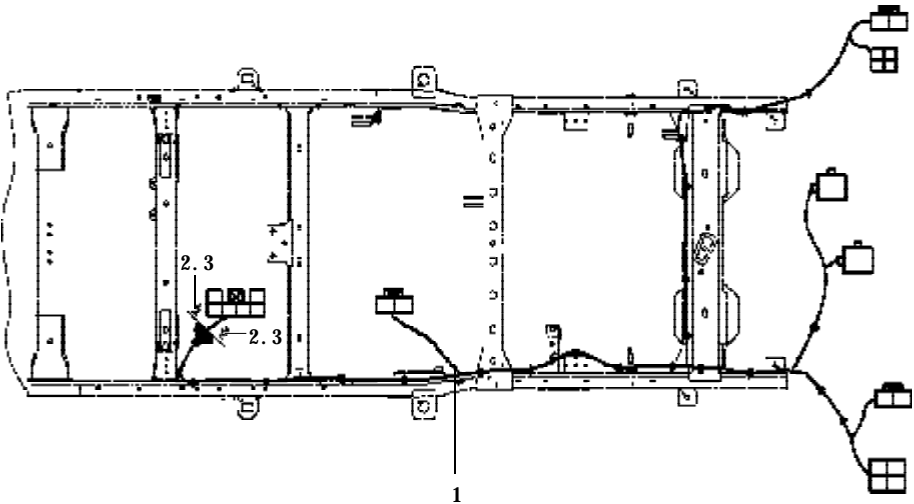


# 40- 05 座舱线束 PASSENGER COMPARTMENT WIRING HARNESS

	序号 S/N	零部件名称 DESCRIPTION	零部件代码 PARTCODE	适用车型 VEHICLE MODEL	用量 QTY.	备注 REMARK
	1	变速箱线束 WIRING HARNESS, TRANSMISSION	4004020- P02	P02	1	
	2	分动器电控单元 TRANSFER CASE ECU	3624100- P02	P02	1	
	3	搭铁螺栓 GROUND BOLT	4011011- K00	P02	1	

## 40- 06 车架线束 FRAME WIRING HARNESS

序号 S/N	零部件名称 DESCRIPTION	零部件代码 PARTCODE	适用车型 VEHICLE MODEL	用量 QTY.	备注 REMARK
1	车架线束总成 FRAME WIRING HARNESS ASSEMBLY	4010010 - P00	P00 P02	1	
2	卡丁 CLAMP	7158- 2275- 3		2	
3	螺钉 SCREW	7158- 2275- 4		2	

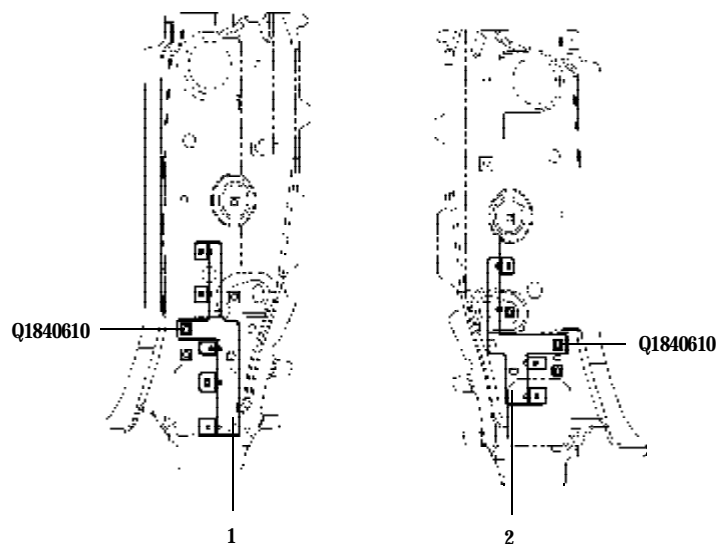
  


## 40- 07 前线束 FRONT WIRING HARNESS

	序号 S/N	零部件名称 DESCRIPTION	零部件代码 PARTCODE	适用车型 VEHICLE MODEL	用量 QTY.	备注 REMARK
	1	机舱线束总成 ENGINE COMPARTMENT WIRING HARNESS ASSEMBLY	4011010- P00	P00 P01 P02	1	
	2	搭铁螺栓 GROUND BOLT	4011011- K00	P00 P02	4	
	3	二号保险盒支架 BRACKET, FUSE BLOCK, NO. 2	4016014- P00	P00 P02	1	
	4	电源线束总成 POWER WIRING HARNESS ASSEMBLY	4001020- P00	P00 P01 P02	1	
		六角头螺栓、弹簧垫圈和平垫圈组合件 BOLT & WASHER KIT	Q1460620FD		2	

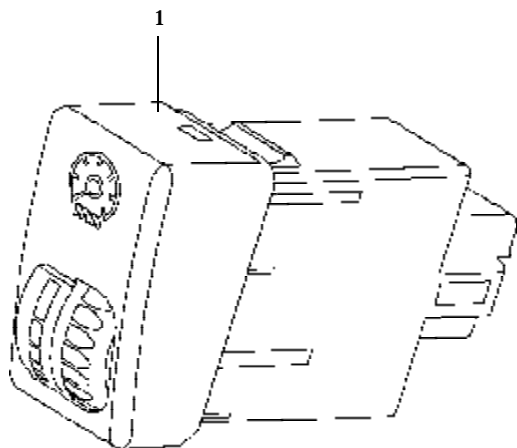
## 40- 08 线束固定器 HARNESS CLAMP

序号 S/N	零部件名称 DESCRIPTION	零部件代码 PARTCODE	适用车型 VEHICLE MODEL	用量 QTY.	备注 REMARK
1	机室左侧线束护套固定支架 MOUNTING BRACKET, PROTECTING JACKET, CAB WIRING HARNESS, LH	4016011- P00	P00 P02	1	
2	机室右侧线束护套固定支架 MOUNTING BRACKET, PROTECTING JACKET, CAB WIRING HARNESS, RH	4016012- P00	P00 P02	1	
	六角头法兰螺栓 BOLT	Q1840610		4	



# 41- 01 仪表灯调整开关 INSTRUMENT LAMP ADJUSTING SWITCH

序号 S/N	零部件名称 DESCRIPTION	零部件代码 PARTCODE	适用车型 VEHICLE MODEL	用量 QTY.	备注 REMARK
1	仪表亮度调整开关总成 INSTRUMENT BRIGHTNESS ADJUSTING SWITCH ASSEMBLY	4103100- P00	P00 P02	1	

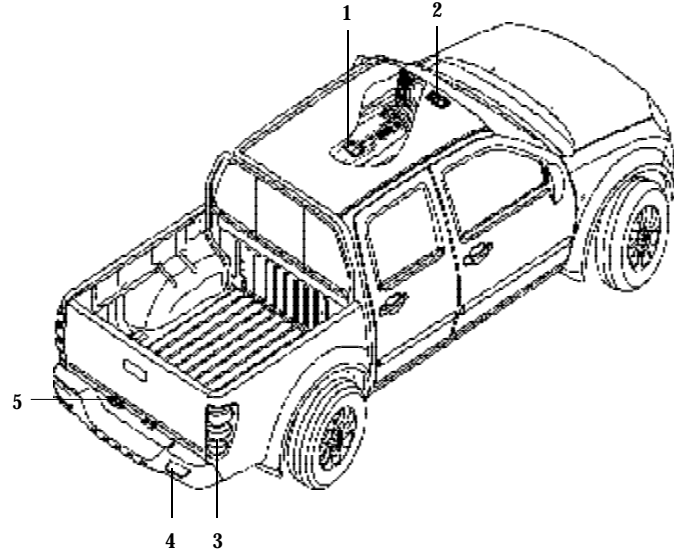


## 41- 02 汽车灯具 MOTOR- VEHICLE LAMP





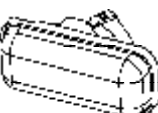

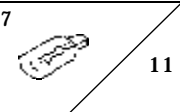

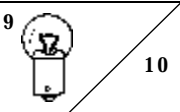





序号 S/N	零部件名称 DESCRIPTION	零部件代码 PARTCODE	适用车型 VEHICLE MODEL	用量 QTY.	备注 REMARK
	1 侧转向灯总成 SIDE TURN SIGNAL LAMP ASSEMBLY	4111100- P00	P00 P02	2	
	2 左组合前灯总成 FRONT COMBINATION LAMP ASSEMBLY, LH	4121100- P00	P00 P01 P02	1	
	右组合前灯总成 FRONT COMBINATION LAMP ASSEMBLY, RH	4121200- P00	P00 P01 P02	1	
	3 左前雾灯总成 FRONT FOG LAMP ASSEMBLY, LH	4116110- P00	P00 P02	1	
	右前雾灯总成 FRONT FOG LAMP ASSEMBLY, RH	4116120- P00	P00 P02	1	
	4 侧转向灯灯泡 SIDE TURN SIGNAL LAMP BULB	W5W	P00 P02	2	
	前位置灯灯泡 FRONT POSITION LAMP BULB	W5W	P00 P02	2	
	5 近光灯灯泡 LOW-BEAM LAMP BULB	H7	P00 P02	2	
	远光灯灯泡 HIGH-BEAM LAMP BULB	H7	P00 P02	2	
	6 前转向灯灯泡 FRONT TURN SIGNAL LAMP BULB	PY21W	P00 P02	2	
	六角头螺栓、弹簧垫圈和平垫组合件 BOLT & WASHER KIT	Q1460620FDH(大垫圈)		6	
	十字槽大半圆头自攻螺钉 SCREW	Q2705516FDH		2	
	7 前雾灯灯泡 FRONT FOG LAMP BULB	H3	P00 P02	2	
	十字槽凹穴六角头螺栓 BOLT	Q174B0616FD		6	
I 型六角螺母 NUT, TYPE I	Q340B6FD		6		



# 41- 03 汽车灯具 MOTOR- VEHICLE LAMP

	序号 S/N	零部件名称 DESCRIPTION	零部件代码 PARTCODE	适用车型 VEHICLE MODEL	用 量 QTY.	备 注 REMARK
	1	顶灯总成 CEILING LAMP ASSEMBLY	4123100- K00- C311	P00 P02	1	
	2	阅读灯总成 READING LAMP ASSEMBLY	4124100- P00	P00 P02	1	
	3	左组合后灯总成 REAR COMBINATION LAMP ASSEMBLY, LH	4133100- P00	P00 P02	1	
		右组合后灯总成 REAR COMBINATION LAMP ASSEMBLY, RH	4133200- P00	P00 P02	1	
	4	左后雾灯总成 REAR FOG LAMP ASSEMBLY, LH	4116210- P00	P00 P02	1	
		右后雾灯总成 REAR FOG LAMP ASSEMBLY, RH	4116220- P00	P00 P02	1	
	5	牌照灯总成 NUMBER PLATE LAMP ASSEMBLY	4108100- P00	P00 P02	2	
	6	顶灯灯泡 CEILING LAMP BULB	C10W	P00 P02	1	
	7	阅读灯灯泡 READING LAMP BULB	W5W	P00 P02	2	
	8	转向灯灯泡 TURN SIGNAL LAMP BULB	PY21W	P00 P02	2	
		制动 / 位置灯泡 STOP/POSITION LAMP BULB	P21/5W	P00 P02	2	
		倒车灯泡 BACK- UP LAMP BULB	P21W	P00 P02	2	
	9	后雾灯灯泡 REAR FOG LAMP BULB	P21W	P00 P02	2	
		牌照灯灯泡 NUMBER PLATE LAMP BULB	W5W	P00 P02	2	
11	阅读灯安装支架 MOUNTING BRACKET, READING LAMP	4124105- P00	P00 P02	1		
12	圆涨扣 CLIP	4133107- P00	P00 P02	4		

1 	2 	3 	4 	5 
6 	7 	8 	9 	10 
11 	12 	13 	14 	

## 41- 03 汽车灯具 MOTOR- VEHICLE LAMP

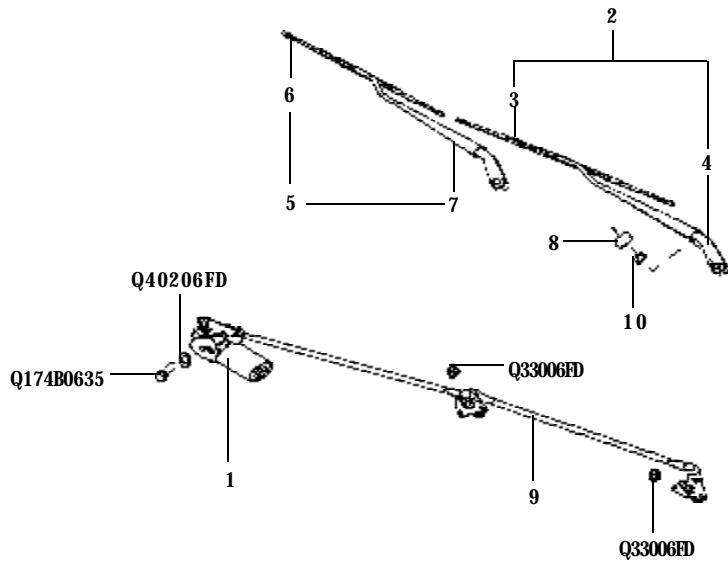
序号 S/N	零部件名称 DESCRIPTION	零部件代码 PARTCODE	适用车型 VEHICLE MODEL	用量 QTY.	备注 REMARK	序号 S/N	零部件名称 DESCRIPTION	零部件代码 PARTCODE	适用车型 VEHICLE MODEL	用量 QTY.	备注 REMARK
13	报警灯开关总成 WARNING LAMP SWITCH ASSEMBLY	4128100- P00	P00 P02	1							
14	后雾灯开关总成 SWITCH ASSEMBLY, REAR FOG LAMP	4116320- P00	P00 P02	1							
	前雾灯开关总成 SWITCH ASSEMBLY, FRONT FOG LAMP	4116310- P00	P00 P02	1							
	十字槽盘头自攻锁紧螺钉 SCREW	Q2620512FD		4							
	十字槽盘头自攻螺钉 SCREW	Q2714819FD		1							
	十字槽盘头自攻螺钉 - C 型 SCREW - TYPE C	Q2715516FD		2							
	六角头螺栓、弹簧垫圈和平垫圈组合件 BOLT & WASHER KIT	Q1460620FD		4							
	十字槽盘头自攻螺钉 - F 型 SCREW - TYPE F	Q2724816FD		6							

# 41- 04 制动灯 BRAKE LAMP

	序号 S/N	零部件名称 DESCRIPTION	零部件代码 PARTCODE	适用车型 VEHICLE MODEL	用 量 QTY.	备注 REMARK
		高位制动灯总成 HIGH- MOUNTED BRAKE LAMP ASSEMBLY	4134200- P00	P00 P02	1	
	1	高位制动灯灯泡 HIGH- MOUNTED BRAKE LAMP BULB	W5W	P00 P02	4	
	2	高位制动灯安装卡扣 HIGH- MOUNTED BRAKE LAMP MOUNTING CLIP	4134204- P00	P00 P02	2	
		十字槽盘头自攻螺钉 - C 型 SCREW - TYPE C	Q2714819FD		2	

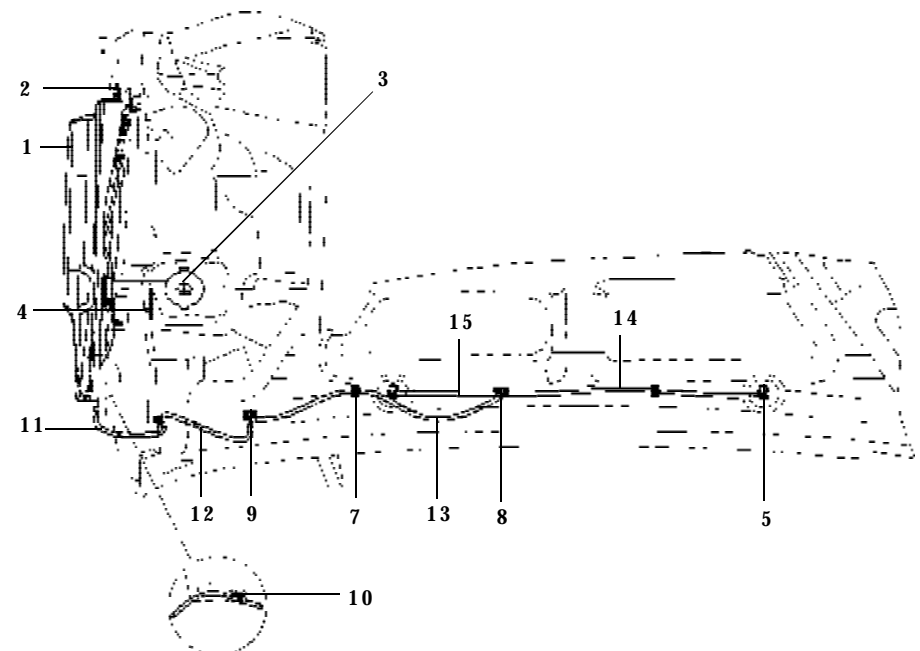
## 52- 01 刮水器 WIPER

序号 S/N	零部件名称 DESCRIPTION	零部件代码 PARTCODE	适用车型 VEHICLE MODEL	用量 QTY.	备注 REMARK
1	前刮水器电机总成 FRONT WIPER MOTOR ASSEMBLY	3741110- P00	P00 P02	1	
2	左前雨刷刮臂总成 FRONT WIPER ARM ASSEMBLY, LH	5205110- P00	P00 P02	1	
3	左前雨刷刮片 FRONT WIPER BLADE, LH	5205150- P00	P00 P02	1	
4	左前雨刷臂 FRONT WIPER ARM, LH	5205170- P00	P00 P02	1	
5	右前雨刷臂总成 FRONT WIPER ARM ASSEMBLY, RH	5205120- P00	P00 P02	1	
6	右前雨刷刮片 FRONT WIPER BLADE, RH	5205160- P00	P00 P02	1	
7	右前雨刷臂 FRONT WIPER ARM, RH	5205180- P00	P00 P02	1	
8	前雨刷装饰帽 FRONT WIPER TRIM CAP	5205113- P00	P00 P02	2	
9	前刮水器连杆总成 FRONT WIPER LINKAGE ASSEMBLY	5205130- P00	P00 P02	1	
10	刮臂锁紧螺母 LOCK NUT, WIPER ARM	5205112- P00	P00 P02	2	
	全金属六角法兰面锁紧螺母 NUT	Q33006FD		6	
	十字槽凹穴六角头螺栓 BOLT	Q174B0635FD		4	
	大垫圈 WASHER	Q40206FD		4	



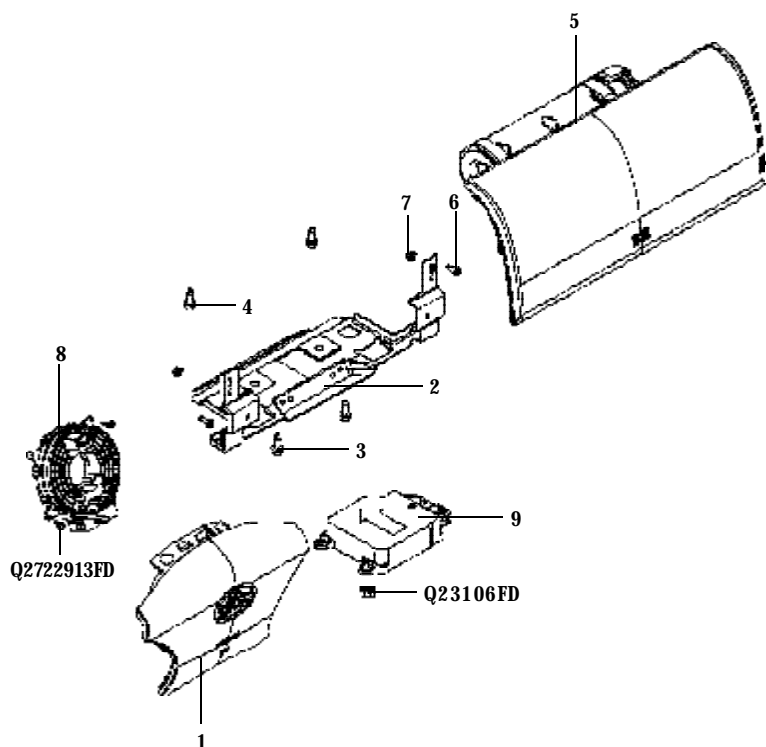
## 52- 02 风窗洗涤器 WINDSHIELD WASHER

181

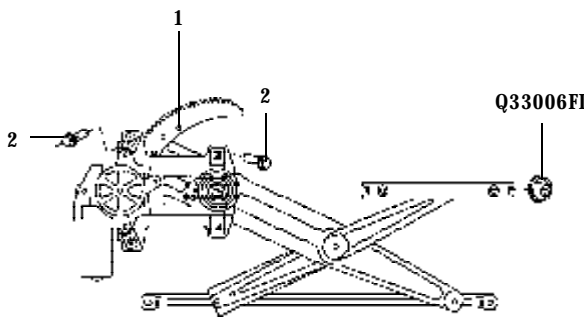
	序号 S/N	零部件名称 DESCRIPTION	零部件代码 PARTCODE	适用车型 VEHICLE MODEL	用 量 QTY.	备注 REMARK
		风窗洗涤器总成 WINDSHIELD WASHER ASSEMBLY	5207100- P00	P00 P01 P02 P50 P51 P52	1	
	1	风窗洗涤器本体 WINDSHIELD WASHER	5207160- P00	P00 P02	1	
	2	全金属六角法兰面锁紧螺母 NUT	Q33006FD	P00 P02	3	
	3	风窗洗涤器加液管总成 FILLING PIPE ASSEMBLY, WASHER	5207140- P00	P00 P02	1	
	4	切削槽螺栓 BOLT	6104101- K00		1	
	5	风窗洗涤器前喷嘴总成 FRONT NOZZLE ASSEMBLY, WASHER	5207120- P00	P00 P02	2	
	6	风窗洗涤器水管总成 WATER PIPE ASSEMBLY, WINDSHIELD WASHER	5207130- P00	P00 P02	1	
	7	风窗洗涤器水管固定座 WATER PIPE FIXED SEAT, WASHER	5207220- K00	P00 P02	2	
	8	风窗洗涤器三通夹 3- WAY CLAMP, WASHER	5207132- P00	P00 P02	1	
	9	风窗洗涤器直角两通夹 2- WAY CLAMP, WASHER (RIGHT ANGLE)	5207133- P00	P00 P02	1	
	10	风窗洗涤器两通夹 2- WAY CLAMP, WASHER	5207134- P00	P00 P02	1	
	11	风窗洗涤器水管 (一) WATER PIPE, NO. 1, WINDSHIELD WASHER	5207135- P00	P00 P02	1	
	12	风窗洗涤器水管 (二) WATER PIPE, NO. 2, WINDSHIELD WASHER	5207136- P00	P00 P02	1	
	13	风窗洗涤器水管 (三) WATER PIPE, NO. 3, WINDSHIELD WASHER	5207137- P00	P00 P02	1	
	14	风窗洗涤器水管 (四) WATER PIPE, NO. 4, WINDSHIELD WASHER	5207138- P00	P00 P02	1	
15	风窗洗涤器水管 (五) WATER PIPE, NO. 5, WINDSHIELD WASHER	5207139- P00	P00 P02	1		

## 58- 01 安全气囊 AIR BAG

序 号 S/N	零部件名称 DESCRIPTION	零部件代码 PARTCODE	适用车型 VEHICLE MODEL	用 量 QTY.	备注 REMARK
	安全气囊总成 AIR BAG ASSEMBLY	5820100- P00	P00	1	
1	驾驶员位气囊模块 DRIVER- SIDE AIR BAG MODULE	5820110- P00	P00	1	
2	乘员位气囊模块支架 BRACKET, PASSENGER- SIDE AIR BAG MODULE	5820126- P00	P00	1	
3	锁紧螺栓 LOCKING BOLT	5820127- P00	P00	2	
4	自攻锁紧螺钉 SELF- TAPPING LOCKING SCREW	5820128- P00	P00	2	
5	乘员位气囊模块 PASSENGER- SIDE AIR BAG MODULE	5820120- P00	P00	1	
6	锁紧螺栓 LOCKING BOLT	5820127- P00	P00	2	
7	锁紧螺母 LOCK NUT	5820129- P00	P00	2	
8	时钟弹簧总成 CLOCK SPRING ASSEMBLY	3658110- P00	P00	1	
	十字槽盘头自攻螺钉 SCREW	Q2722913FD		4	
9	安全气囊电控单元 AIR BAG ECU	3658120- P00	P00	1	
	六角法兰面自排屑螺母 NUT	Q23106FD		3	

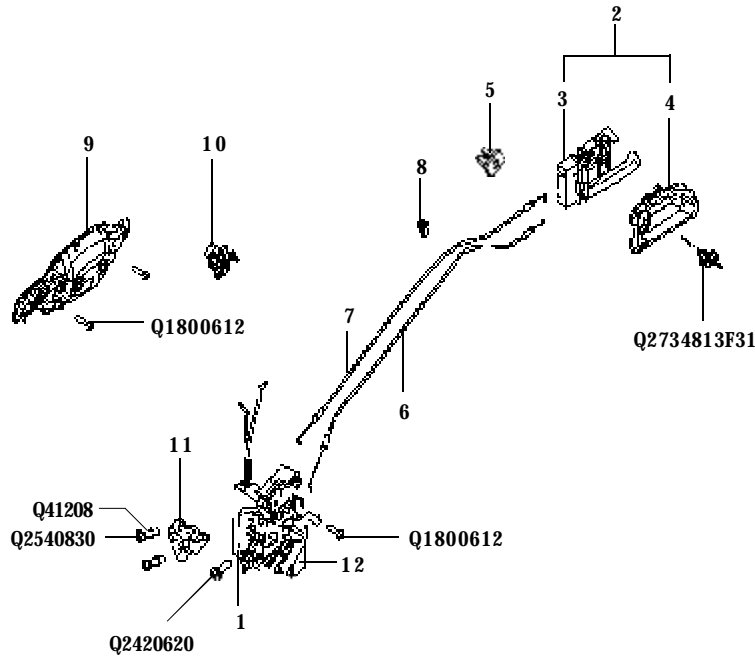


# 61- 01 车门玻璃升降机构 DOOR GLASS REGULATOR

	序号 S/N	零部件名称 DESCRIPTION	零部件代码 PARTCODE	适用车型 VEHICLE MODEL	用量 QTY	备注 REMARK
	1	左前侧面车门玻璃升降器总成 FRONT DOOR GLASS REGULATOR ASSEMBLY, LH	6104100- P00	P00 P01 P02 P50 P51 P52	1	电动 POWER
		右前侧面车门玻璃升降器总成 FRONT DOOR GLASS REGULATOR ASSEMBLY, RH	6104200- P00	P00 P01 P02 P50 P51 P52	1	电动 POWER
	2	切削槽螺栓 BOLT	6104101- K00		8	
		全金属六角法兰面锁紧螺母 NUT	Q33006FD		4	

## 61- 02 车门锁及手柄 DOOR LOCK AND HANDLE

序号 S/N	零部件名称 DESCRIPTION	零部件代码 PARTCODE	适用车型 VEHICLE MODEL	用量 QTY.	备注 REMARK
	左前侧面车门锁总成 FRONT DOOR LOCK ASSEMBLY, LH	6105100- P00	P00 P02		
1	左前侧面车门锁体总成 FRONT DOOR LOCK BODY ASSEMBLY, LH	6105110- P00	P00 P02	1	
2	左侧面车门锁内扣手总成 DOOR INSIDE HANDLE ASSEMBLY, LH	6105130- P00	P00 P02	1	
3	左侧面车门锁内扣手机构总成 DOOR INSIDE HANDLE , LH	6105150- P00	P00 P02	1	
4	左侧面车门锁内扣手框 INSIDE HANDLE BEZEL, LH	6105171- P00	P00 P02	1	
5	卡扣 CLIP	3746103- P00	P00 P02	1	
6	前侧面车门内扣手拉线总成 FRONT DOOR INSIDE HANDLE CABLE ASSEMBLY	6105210- P00	P00 P02	1	
7	左前侧面车门保险拉线总成 FRONT DOOR LOCK SAFETY CABLE ASSEMBLY, LH	6105230- P00	P00 P02	1	
8	侧面车门锁拉线卡扣 CLIP, DOOR LOCK CABLE	6105231- P00	P00 P02	1	
9	左前侧面车门外手柄总成 FRONT DOOR OUTSIDE HANDLE ASSEMBLY, LH	6105250- P00	P00 P02	1	电镀件 ELECTROPLATE
	左前侧面车门外手柄总成 FRONT DOOR OUTSIDE HANDLE ASSEMBLY, LH	6105250- P00- B1	P00 P02	1	
10	左前侧面车门锁芯总成 FRONT DOOR LOCK CYLINDER ASSEMBLY, LH	6105310- P00	P00 P02	1	
11	侧面车门锁环 LOCK RING, DOOR	6105270- P00	P00 P02	1	
12	左前侧面车门闭锁器总成 FRONT DOOR LOCK LATCH & ACTUATOR ASSEMBLY, LH	3787210- P00	P00 P02	1	
	十字槽大半圆头自攻螺钉 SCREW	Q2734813F31		1	
	六角法兰面承面带齿螺栓 BOLT	Q1800612		5	





## 61- 02 车门锁及手柄 DOOR LOCK AND HANDLE

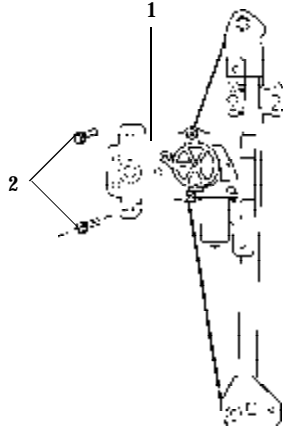
185

序号 S/N	零部件名称 DESCRIPTION	零部件代码 PARTCODE	适用车型 VEHICLE MODEL	用量 QTY.	备注 REMARK	序号 S/N	零部件名称 DESCRIPTION	零部件代码 PARTCODE	适用车型 VEHICLE MODEL	用量 QTY.	备注 REMARK
	十字槽半沉头螺钉和锥形锁紧垫圈组合件 SCREW & WASHER KIT	Q2420620		3							
	十字槽沉头螺钉 SCREW	Q2540830		2							
	外锯齿缩紧垫圈 WASHER	Q41208		2							

## 61- 03 车门锁及手柄 DOOR LOCK AND HANDLE

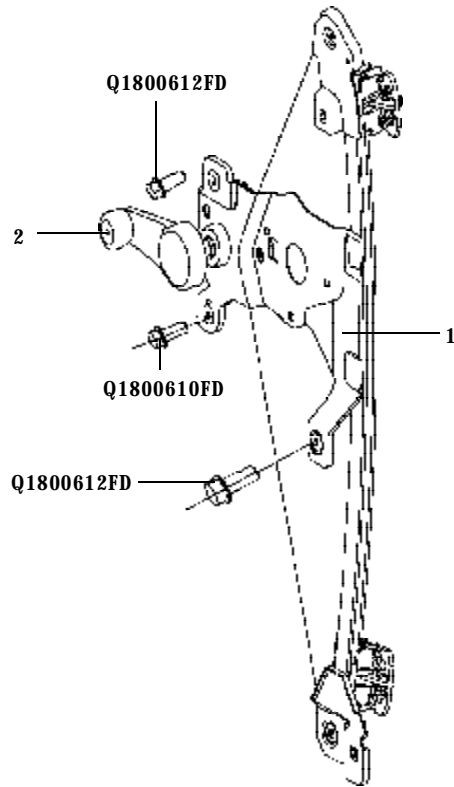
序号 S/N	零部件名称 DESCRIPTION	零部件代码 PARTCODE	适用车型 VEHICLE MODEL	用量 QTY.	备注 REMARK	序号 S/N	零部件名称 DESCRIPTION	零部件代码 PARTCODE	适用车型 VEHICLE MODEL	用量 QTY.	备注 REMARK
	右前侧面车门锁总成 FRONT DOOR LOCK ASSEMBLY, RH	6105200- P00	P00 P02				十字槽大半圆头自攻螺钉 SCREW	Q2734813F31		1	
1	右前侧面车门锁体总成 FRONT DOOR LOCK BODY ASSEMBLY, RH	6105120- P00	P00 P02	1			十字槽半沉头螺钉和锥形锁紧垫圈组合件 SCREW & WASHER KIT	Q2420620		3	
2	右侧面车门锁内扣手总成 DOOR INSIDE HANDLE ASSEMBLY, RH	6105140- P00	P00 P02	1			十字槽沉头螺钉 SCREW	Q2540830		2	
3	右侧面车门锁内扣手机构总成 DOOR INSIDE HANDLE , RH	6105160- P00	P00 P02	1			外锯齿缩紧垫圈 WASHER	Q41208		2	
4	右侧面车门锁内扣手框 INSIDE HANDLE BEZEL, RH	6105172- P00	P00 P02	1							
5	卡扣 CLIP	3746103- P00	P00 P02	1							
6	前侧面车门内扣手拉线总成 FRONT DOOR INSIDE HANDLE CABLE ASSEMBLY	6105210- P00	P00 P02	1							
7	右前侧面车门保险拉线总成 FRONT DOOR LOCK SAFETY CABLE ASSEMBLY, RH	6105240- P00	P00 P02	1							
8	侧面车门锁拉线卡扣 CLIP, DOOR LOCK CABLE	6105231- P00	P00 P02	1							
9	右前侧面车门外手柄总成 FRONT DOOR OUTSIDE HANDLE ASSEMBLY, RH	6105260- P00- B1	P00 P02	1							
	右前侧面车门外手柄总成 FRONT DOOR OUTSIDE HANDLE ASSEMBLY, RH	6105260- P00	P00 P02	1	电镀件 ELECTROPLATE						
10	右前侧面车门锁芯总成 FRONT DOOR LOCK CYLINDER ASSEMBLY, RH	6105320- P00	P00 P02	1							
	右前侧面车门锁芯总成 FRONT DOOR LOCK CYLINDER ASSEMBLY, RH	6105320- P50	P50								
11	侧面车门锁环 LOCK RING, DOOR	6105270- P00	P00 P02	1							
12	右前侧面车门闭锁器总成 FRONT DOOR LOCK LATCH & ACTUATOR ASSEMBLY, RH	3787220- P00	P00 P02	1							
	六角法兰面承面带齿螺栓 BOLT	Q1800612		5							

## 62- 01 车门玻璃升降机构 DOOR GLASS REGULATOR

	序号 S/N	零部件名称 DESCRIPTION	零部件代码 PARTCODE	适用车型 VEHICLE MODEL	用量 QTY.	备注 REMARK
	1	左后侧面车门玻璃升降器总成 REAR DOOR GLASS REGULATOR ASSEMBLY, LH	6204100- P00	P00 P02	1	电动 POWER
		右后侧面车门玻璃升降器总成 REAR DOOR GLASS REGULATOR ASSEMBLY, RH	6204200- P00	P00 P02	1	电动 POWER
	2	切削槽螺栓 BOLT	6104101- K00	P00 P02	10	

## 62- 02 车门玻璃升降机构 DOOR GLASS REGULATOR

序号 S/N	零部件名称 DESCRIPTION	零部件代码 PARTCODE	适用车型 VEHICLE MODEL	用量 QTY.	备注 REMARK
1	左后侧面车门玻璃升降器总成 REAR DOOR GLASS REGULATOR ASSEMBLY, LH	6204300- P00	P00 P01 P02 P50 P51 P52	1	机械 MANUAL
1	右后侧面车门玻璃升降器总成 REAR DOOR GLASS REGULATOR ASSEMBLY, RH	6204400- P00	P00 P01 P02 P50 P51 P52	1	机械 MANUAL
2	玻璃升降器手柄 CRANKING BAR	6104500- P00	P00 P01 P02 P50 P51 P52	2	
	六角法兰面承面带齿螺栓 BOLT	Q1800610FD		6	
	六角法兰面承面带齿螺栓 BOLT	Q1800612FD		4	



## 62- 03 车门锁及手柄 DOOR LOCK AND HANDLE

189

	序号 S/N	零部件名称 DESCRIPTION	零部件代码 PARTCODE	适用车型 VEHICLE MODEL	用 量 QTY.	备注 REMARK
		左后侧面车门锁总成 REAR DOOR LOCK ASSEMBLY, LH	6205100- P00	P00 P02		
	1	左后侧面车门锁体总成 REAR DOOR LOCK BODY ASSEMBLY, LH	6205110- P00	P00 P02	1	
		十字槽半沉头螺钉和锥形锁紧垫圈组合件 SCREW & WASHER KIT	Q2420620		3	
	2	左侧面车门锁内扣手总成 DOOR INSIDE HANDLE ASSEMBLY, LH	6105130- P00	P00 P02	1	
	3	左侧面车门锁内扣手机构总成 DOOR INSIDE HANDLE , LH	6205150- P00	P00 P02	1	
	4	左侧面车门锁内扣手框 INSIDE HANDLE BEZEL, LH	6205171- P00	P00 P02	1	
	5	卡扣 CLIP	3746103- P00	P00 P02	1	
		十字槽大半圆头自攻螺钉 SCREW	Q2734813F31		1	
	6	左后侧面车门外手柄总成 REAR DOOR OUTSIDE HANDLE ASSEMBLY, LH	6205250- P00	P00 P02	1	电镀件 ELECTROPLATE
		左后侧面车门外手柄总成 REAR DOOR OUTSIDE HANDLE ASSEMBLY, LH	6205250- P00- B1	P00 P02	1	
		六角法兰面承面带齿螺栓 BOLT	Q1800612		3	
7	后侧面车门内扣手拉线总成 REAR DOOR INSIDE HANDLE CABLE ASSEMBLY	6205210- P00	P00 P02	1		
8	左后侧面车门保险拉线总成 REAR DOOR LOCK SAFETY CABLE ASSEMBLY, LH	6205230- P00	P00 P02	1		
9	侧面车门锁拉线卡扣 CLIP, DOOR LOCK CABLE	6205231- P00	P00 P02	1		
10	侧面车门锁环 LOCK RING, DOOR	6205270- P00	P00 P02	1		
11	左后侧面车门闭锁器总成 REAR DOOR LOCK LATCH & ACTUATOR ASSEMBLY, LH	3787230- P00	P00 P02	1		

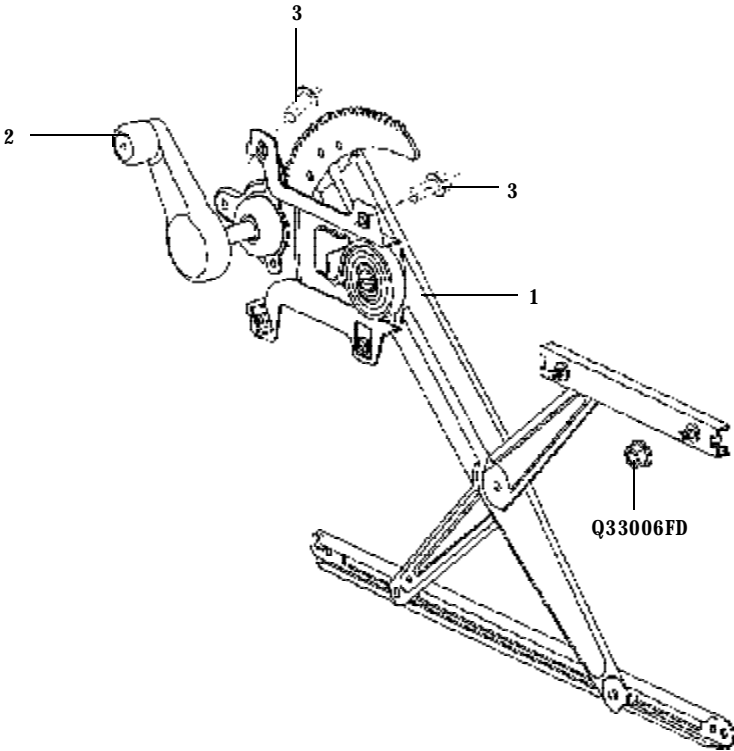
## 62- 03 车门锁及手柄 DOOR LOCK AND HANDLE

序号 S/N	零部件名称 DESCRIPTION	零部件代码 PARTCODE	适用车型 VEHICLE MODEL	用量 QTY.	备注 REMARK	序号 S/N	零部件名称 DESCRIPTION	零部件代码 PARTCODE	适用车型 VEHICLE MODEL	用量 QTY.	备注 REMARK
	十字槽沉头螺钉 SCREW	Q2540830		2							
	外锯齿缩紧垫圈 WASHER	Q41208		2							

62- 04 车门锁及手柄 DOOR LOCK AND HANDLE

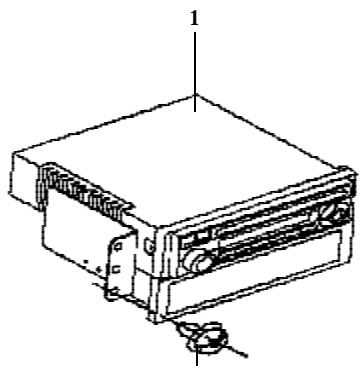
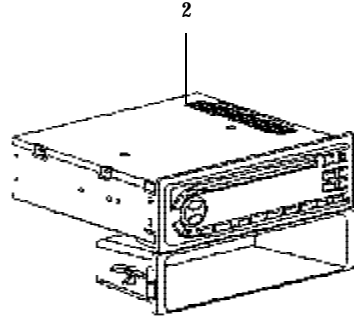
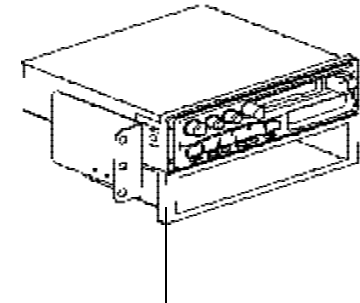
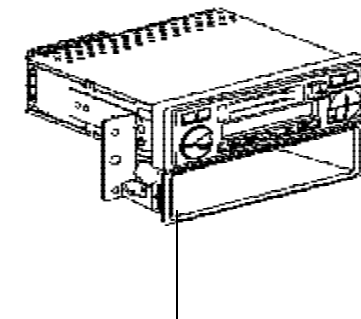
序号 S/N	零部件名称 DESCRIPTION	零部件代码 PARTCODE	适用车型 VEHICLE MODEL	用量 QTY.	备注 REMARK	序号 S/N	零部件名称 DESCRIPTION	零部件代码 PARTCODE	适用车型 VEHICLE MODEL	用量 QTY.	备注 REMARK
	右后侧面车门锁总成 REAR DOOR LOCK ASSEMBLY, RH	6205200- P00	P00 P02				十字槽沉头螺钉 SCREW	2540830		2	
1	右后侧面车门锁体总成 REAR DOOR LOCK BODY ASSEMBLY, RH	6205120- P00	P00 P02	1			外锯齿缩紧垫圈 WASHER	Q41208		2	
	十字槽半沉头螺钉和锥形锁紧垫圈组合件 SCREW & WASHER KIT	Q2420620		3							
2	右侧面车门锁内扣手总成 DOOR INSIDE HANDLE ASSEMBLY, RH	6105140- P00	P00 P02	1							
3	右侧面车门锁内扣手机构总成 DOOR INSIDE HANDLE , RH	6105160- P00	P00 P02	1							
4	右侧面车门锁内扣手框 INSIDE HANDLE BEZEL, RH	6105172- P00	P00 P02	1							
5	卡扣 CLIP	3746103- P00	P00 P02	1							
	十字槽大半圆头自攻螺钉 SCREW	Q2734813F31		1							
6	右后侧面车门外把手总成 REAR DOOR OUTSIDE HANDLE ASSEMBLY, RH	6205260- P00	P00 P02	1	电镀件 ELECTROPLATE						
	右后侧面车门外把手总成 REAR DOOR OUTSIDE HANDLE ASSEMBLY, RH	6205260- P00- B1	P00 P02	1							
	六角法兰面承面带齿螺栓 BOLT	Q1800612		3							
7	后侧面车门内扣手拉线总成 REAR DOOR INSIDE HANDLE CABLE ASSEMBLY	6205210- P00	P00 P02	1							
8	右后侧面车门保险拉线总成 REAR DOOR LOCK SAFETY CABLE ASSEMBLY, RH	6205240- P00	P00 P02	1							
9	侧面车门锁拉线卡扣 CLIP, DOOR LOCK CABLE	6105231- P00	P00 P02	1							
10	侧面车门锁环 LOCK RING, DOOR	6105270- P00	P00 P02	1							
11	右后侧面车门闭锁器总成 REAR DOOR LOCK LATCH & ACTUATOR ASSEMBLY, RH	3787240- P00	P00 P02	1							

## 62- 05 车门玻璃升降机构 DOOR GLASS REGULATOR

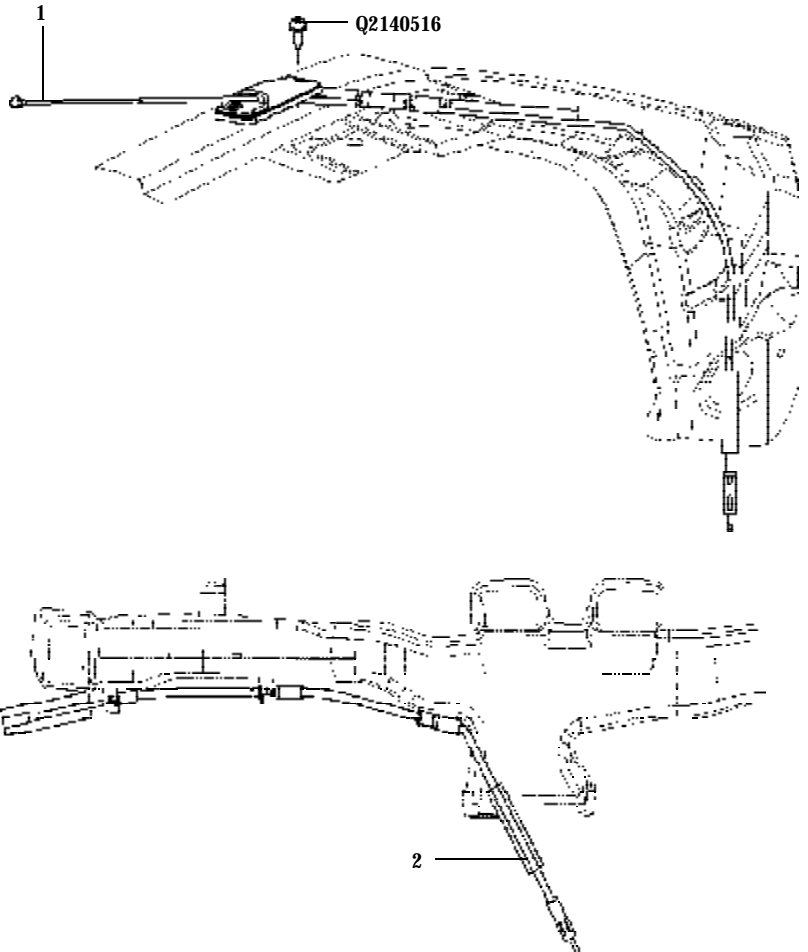
	序号 S/N	零部件名称 DESCRIPTION	零部件代码 PARTCODE	适用车型 VEHICLE MODEL	用量 QTY.	备注 REMARK
	1	左前侧面车门玻璃升降器总成 FRONT DOOR GLASS REGULATOR ASSEMBLY, LH	6104300- P00	P00 P02	1	机械 MANUAL
	1	右前侧面车门玻璃升降器总成 FRONT DOOR GLASS REGULATOR ASSEMBLY, RH	6104400- P00	P00 P02	1	机械 MANUAL
	2	玻璃升降器手柄 CRANKING BAR	6104500- P00	P00 P02	2	
	3	切削槽螺栓 BOLT 全金属六角法兰面锁紧螺母 NUT	6104101- K00  Q33006FD	P00 P02	10  4	



# 79- 01 收音机 RADIO & CASSETTE PLAYER

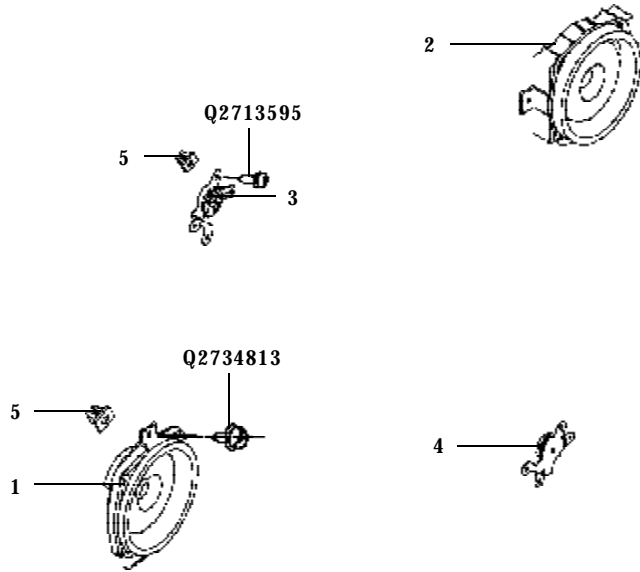
	序号 S/N	零部件名称 DESCRIPTION	零部件代码 PARTCODE	适用车型 VEHICLE MODEL	用量 QTY.	备注 REMARK
 <p style="text-align: center;">Q2734816</p>	1	CD 机总成 CD PLAYER ASSEMBLY	7901100- P00	P00 P01 P02 P50 P51 P52	1	C- 381
	2	CD 机总成 CD PLAYER ASSEMBLY	7901100- P00	P00 P01 P02 P50 P51 P52	1	C- 1074
	3	收音机总成 RADIO & CASSETTE PLAYER ASSEMBLY	7901200- P00	P00 P01 P02 P50 P51 P52	1	TP- 9105N
	4	收音机总成 RADIO & CASSETTE PLAYER ASSEMBLY 十字槽大半圆头自攻螺钉 SCREW	7901200- P00  Q2734816	P00 P01 P02 P50 P51 P52	1  4	HS- 3094

## 79- 02 天线 ANTENNA

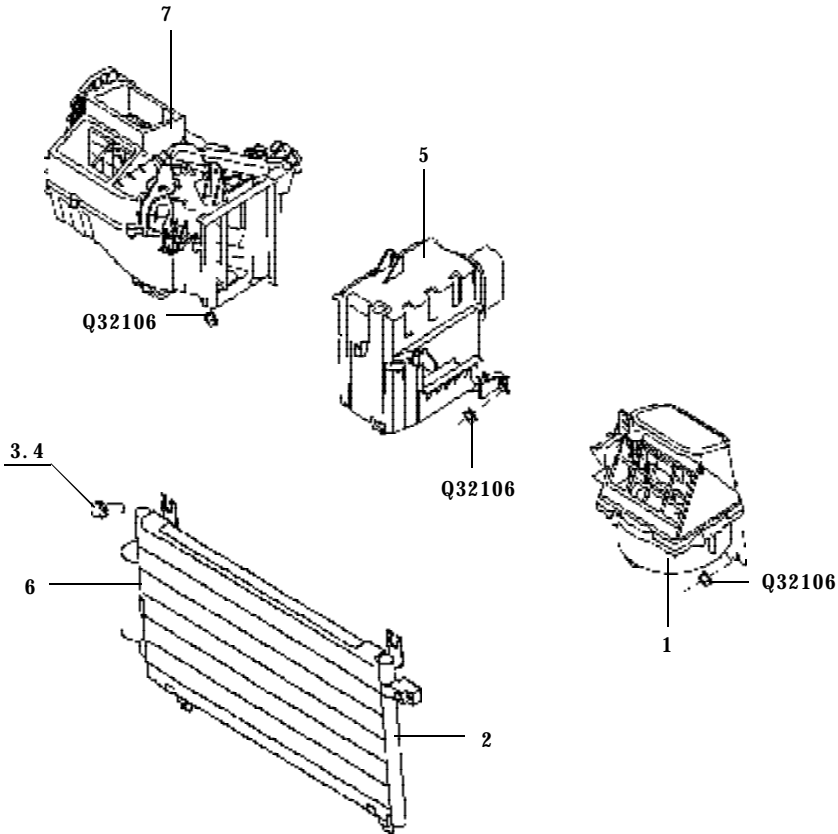
序 号 S/N	零部件名称 DESCRIPTION	零部件代码 PARTCODE	适用车型 VEHICLE MODEL	用 量 QTY.	备注 REMARK
	1 天线 ANTENNA	7903110- P00	P00 P02	1	
	2 天线信号线 SIGNAL WIRE, ANTENNA	7903101- P00	P00 P02	1	
	十字槽盘头螺钉 SCREW	Q2140516		2	

79- 03 车用音响装置 CAR ACOUSTICS

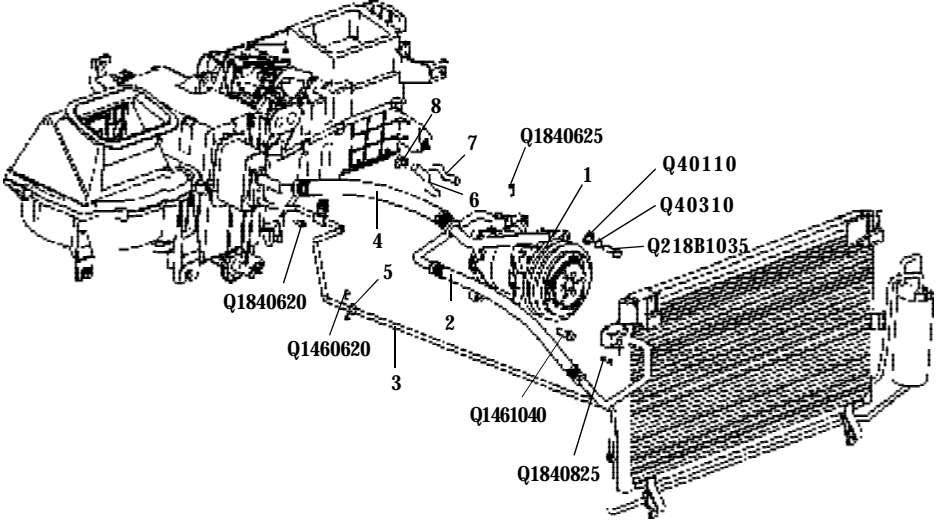
序号 S/N	零部件名称 DESCRIPTION	零部件代码 PARTCODE	适用车型 VEHICLE MODEL	用量 QTY.	备注 REMARK
1	前侧面车门扬声器总成 SPEAKER ASSEMBLY, FRONT DOOR	7911110- P00	P00 P02	2	
2	后侧面车门扬声器总成 SPEAKER ASSEMBLY, REAR DOOR	7911120- P00	P00 P02	2	
3	左前侧面车门高音扬声器总成 TREBLE LOUDSPEAKER ASSEMBLY, FRONT DOOR, LH	7911130- P00	P00 P02	1	
4	右前侧面车门高音扬声器总成 TREBLE LOUDSPEAKER ASSEMBLY, FRONT DOOR, RH	7911140- P00	P00 P02	1	
5	卡扣 CLIP	3746103- P00	P00 P02	4	
	十字槽大半圆头自攻螺钉 SCREW	Q2734813		4	
	十字槽盘头自攻螺钉 - C 型 SCREW - TYPE C	Q2713595		6	



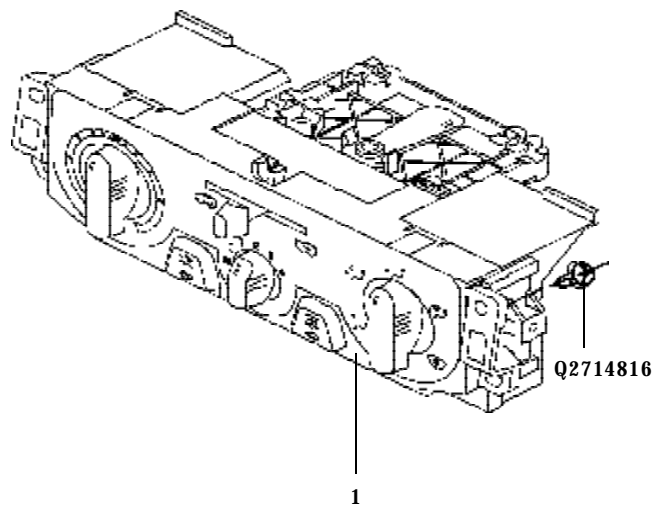
序 号 S/N	零部件名称 DESCRIPTION	零部件代码 PARTCODE	适用车型 VEHICLE MODEL	用 量 QTY.	备 注 REMARK
1	鼓风机总成 BLOWER ASSEMBLY	8104000- P00	P00 P02	1	
2	冷凝器总成 CONDENSER ASSEMBLY	810500- P00	P00 P02	1	
3	六角头螺栓 BOLT	Q150B0630		2	
4	大垫圈 WASHER	Q40206		2	
5	蒸发器总成 EVAPORATOR ASSEMBLY	8107000- P00	P00 P02	1	
6	贮液干燥器总成 RECEIVER DRYER ASSEMBLY	8109000- P00	P00 P02	1	随冷凝器总成 CONDENSER ASSY INCLUDES THIS PART
7	暖风机总成 HEATER ASSEMBLY	8101000- P00	P00 P02	1	
	六角法兰面自排屑螺母 NUT	Q32106		7	



## 81- 02 空调管路 AIR CONDITIONER LINE

	序号 S/N	零部件名称 DESCRIPTION	零部件代码 PARTCODE	适用车型 VEHICLE MODEL	用 量 QTY.	备注 REMARK	
	1	制冷压缩机总成 REFRIGERATION COMPRESSOR ASSEMBLY	8103000- P00	P00 P02	1		
	2	空调高压软管总成 HIGH- PRESSURE HOSE ASSEMBLY, A/C	8108100- P00	P00 P02	1		
	3	空调高压硬管二总成 HIGH PRESSURE PIPE ASSEMBLY, NO. 2, A/C	8108500- P00	P00 P02	1		
	4	空调低压软管总成 LOW- PRESSURE HOSE ASSEMBLY, A/C	8108700- P00	P00 P02	1		
	5	管夹组件 PIPE CLAMP KIT	8111500- D01	P00 P02	1		
	6	暖风进水管 HEATER WATER INLET PIPE	8101025- P00	P00 P02	1		
	7	暖风出水管 HEATER WATER OUTLET PIPE	8101026- P00	P00 P02	1		
	8	暖风进出水管卡箍 HEATER WATER INLET/OUTLET PIPE CLIP	8101126- K00	P00 P02	4		
			六角法兰面螺栓 BOLT	Q1460620		1	
			六角法兰面螺栓 BOLT	Q1840625		2	
			六角法兰面螺栓 BOLT	Q1840620		1	
			六角法兰面螺栓 BOLT	Q1840825		1	
			六角头螺栓、弹簧垫圈和平垫圈组合件 BOLT & WASHER KIT	Q1461040		2	
			内六角圆柱头螺钉 SCREW	Q218B1035		2	
			弹簧垫圈 WASHER	Q40310		2	
			平垫圈 WASHER	Q40110		2	



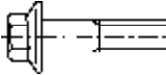

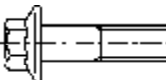
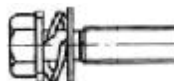
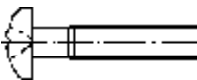



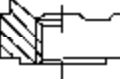
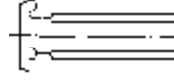



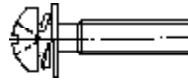
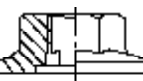


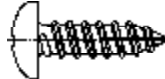
序号 S/N	零部件名称 DESCRIPTION	零部件代码 PARTCODE	适用车型 VEHICLE MODEL	用量 QTY.	备注 REMARK
1	空调控制面板总成 CONTROL PANEL ASSEMBLY, AIR CONDITIONER 十字槽盘头自攻螺钉 SCREW	8112000- P00 Q2714816	P00 P02	1 2	



81- 04 供暖与通风管道 HEATER AND VENTILATION DUCT

	序号 S/N	零部件名称 DESCRIPTION	零部件代码 PARTCODE	适用车型 VEHICLE MODEL	用 量 QTY.	备注 REMARK
	1	仪表板中间送风道 MIDDLE AIR TUNNEL, INSTRUMENT PANEL	8123100- P00	P00 P02	1	
	2	仪表板左侧送风道 LEFT AIR TUNNEL, INSTRUMENT PANEL	8123300- P00	P00 P02	1	
	3	仪表板右侧送风道 RIGHT AIR TUNNEL, INSTRUMENT PANEL	8123400- P00	P00 P02	1	
	4	后排中间风道 MIDDLE AIR TUNNEL, REAR ROW	8123400- P00	P00 P02	1	
	5	后排左侧风道 LEFT AIR TUNNEL, REAR ROW	8123500- P00	P00 P02	1	
	6	后排右侧风道 RIGHT AIR TUNNEL, REAR ROW	8123600- P00	P00 P02	1	
	7	加液管固定卡扣 CLIP, FLUID ADDING PIPE	5207144- P00	P00 P02	4	
	8	仪表板上除霜风道 UPPER DEFROSTER TUNNEL, INSTRUMENT PANEL	8102100- P00	P00 P02	1	
	9	仪表板左侧除霜风道 LEFT DEFROSTER TUNNEL, INSTRUMENT PANEL	8102300- P00	P00 P02	1	
	10	仪表板右侧除霜风道 RIGHT DEFROSTER TUNNEL, INSTRUMENT PANEL	8102400- P00	P00 P02	1	
		十字槽大半圆头自攻螺钉 SCREW	Q2734816		9	

# 标准件简图说明 THE SIMPLIFIED DIAGRAM INSTRUCTION FOR STANDARD PARTS

序号 S/N	汽车专业代号 AUTOMOBILE SPECIALISED CODE	标准号 STANDARD CODE	名称 DENOMINATION	简图 DIAGRAM	序号 S/N	汽车专业代号 Automobile SPECIALISED CODE	标准号 Standard Code	名称 DENOMINATION	简图 DIAGRAM
1	Q150B	ISO 4014 - 1988 (GB/T 5782)	六角头螺栓 HEX BOLT		11	Q402	GB/T 96-1985	大垫圈 LARGE WASHER	
2	Q184	GB/T 16674 - 1996	六角法兰面螺栓 HEX FLANGE BOLT		12	Q401	GB/T 95-1985	平垫圈 PLAIN WASHER	
3	Q186	GB/T 5789 - 1986	六角法兰面螺栓 - 加大系列 HEX FLANGE BOLT - OVERSIZE SERIES		13	Q146	GB/T 9074.24-1988	六角头螺栓、弹簧垫圈和平垫圈组合件 HEX BOLT, SPRING WASHER AND PLAIN WASHER ASSEMBLY	
4	Q214	ISO 7045 - 1994 (GB/T 818)	十字槽盘头螺钉 CROSS SLOT SCREW		14	Q174	GB/T 29.2-1988	十字槽凹穴六角头螺栓 CROSS RECESSED HEXAGON BOLT WITH INDENTATION	
5	Q220	GB/T 9074.18 - 1988	十字槽盘头自攻螺钉和平垫圈组合 CROSS SLOT SELF-TAPPING SCREW AND PLAIN WASHER ASSEMBLY		15	Q403	GB/T 93-1987	弹簧垫圈 SPRING WASHER	
6	Q371	GB/T 13680 - 1992	焊接方螺母 WELDMENT PHON BOLT		16	Q198	QC/T 598 - 1999	承面凸焊螺栓 BEARING WELDMENT BOLT	
7	Q330	ISO 7074: 1997 (GB/T 6187)	全金属六角法兰面锁紧螺母 FULL METAL HEX FLANGE LOCK NUT		17	Q436	GB/T 896 - 1986	开口挡圈 COTTER SHIELD RING	
8	Q322	QC/T607-1999	六角螺母和锥形弹性垫圈组合件 HEX NUT AND TAPER SPRING WASHER ASSEMBLY		18	Q236	GB/T 9074.4 - 1988	十字槽盘头螺钉、弹簧垫圈和平 垫圈组合件 CROSS SLOT SCREW, SPRING WASHER AND PLAIN WASHER ASSEMBLY	
9	Q321	QC/T613-1999	六角法兰面自排屑螺母 HEXAGON FLANGE SELF- DISCHARGING NUT		19	Q673	QC/T 621 - 1997	钢带型弹性环箍 STEEL BAND TYPE ELASTIC CLIP	
10	Q320	ISO 4161:1999 (QC/T 6177)	六角法兰面自排屑螺母 HEXAGON FLANGE SELF- DISCHARGING NUT		20	Q271	GB/T 845 - 1985	十字槽盘头自攻螺钉 - C 型 CROSS SLOT SELF-TAPPING SCREW - C TYPE	



# 标准件简图说明 THE SIMPLIFIED DIAGRAM INSTRUCTION FOR STANDARD PARTS

序号 S/N	汽车专业代号 AUTOMOBILE SPECIALISED CODE	标准号 STANDARD CODE	名称 DENOMINATION	简图 DIAGRAM
21	Q230	GB/T 9074.1 - 1988	十字槽盘头螺钉和平垫圈组合件 CROSS SLOT SCREW AND PLAIN WASHER ASSEMBLY	
22	Q254	ISO7046-1994 (GB/T 819)	十字槽沉头螺栓 CROSS SLOT BOLT	
23	Q262	GB/T 6560-1986	十字槽盘头自攻锁紧螺钉 CROSS SLOT SELF-TAPPING LOCK SCREW	
24	Q272	GB/T 845 - 1985	十字槽盘头自攻锁紧螺钉 - F型 CROSS SLOT SELF-TAPPING LOCK SCREW-F TYPE	
25	Q273	QC/T 602 - 1999	十字槽大半圆头自攻螺钉 CROSS SLOT SELF-TAPPING SCREW	
26	Q276	GB/T 847 - 1985	十字槽半沉头自攻螺钉 - C型 CROSS SLOT SELF-TAPPING SCREW-C TYPE	
26	Q676	QC/T 619 - 1999	蜗杆传动式软管环箍 WORM TRANSMISSION TYPE HOSE CLIP	